



Color Variants

WS482710
Stainless steel-backed glass front
Width 30", Height 8 3/16"

WS482710
400 series warming drawer
Stainless steel-backed glass front
Width 30", Height 8 3/16"

- Width 30", Height 8 3/16"
- Handleless warming drawer
- Perfect for combination with 30" single and combi-steam oven.
- Bright interior lighting
- Soft-closing system
- Hygienic stainless steel interior with glass bottom
- 4 temperature levels ranging from 100° F - 175° F
- Keeps food and drinks warm, also for preparing and cooking meals

Cooking modes

Defrosting of meals/proofing of yeast dough.
Preheating of small beverages.
Keeping meals warm/slow cooking.
Warming of dishes.

Operation

Rotary knob operation.
Recessed grip at the front bottom center of drawer.

Features

Net volume 1.3 cu.ft.
Usable interior volume H 5 3/16" x W 23 7/8" x D 18 7/8".
Volume capacity: Dinner set for 10 people including 11" plates and soup bowls, additional bowls and a serving dishes depending on size.
Integrated base glass plate heating for easy cleaning.
Convection fan for even heat distribution.
Status display, visible in the glass front.
Base plate made of safety glass.
Max. load 55 lbs.

Planning notes

The front of the appliance extends 1 7/8" from the cabinet front.
Always use an intermediate shelf - at least 3/4" thick - when mounting a 400 series single oven/combi-steam oven above warming drawer.
When mounting the drawer below the 400 series combi-steam oven, plan a recess of at least 1 3/8" between the back wall and the warming drawer to allow for the inlet and outlet hose to be installed appropriately.
With a niche depth of 23 1/2", the electric outlet can be planned behind the appliance.

Rating

Total rating: 0.81 kW.
Total Amps: 15 A.
120 V / 60 Hz
Connecting cable 71 " with plug.

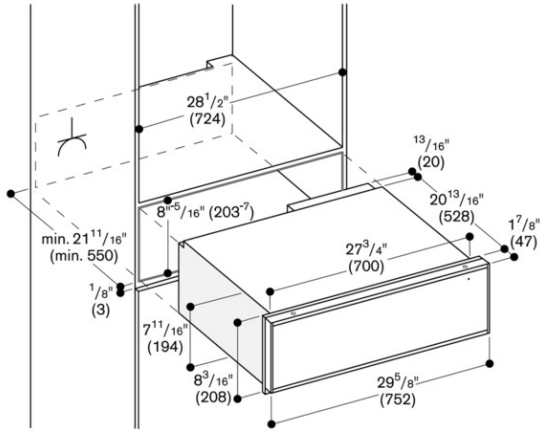
Product Features

Power output heating
0.810
Power Level
Type of control
rotating switch
Temperature control
electronic
Time control

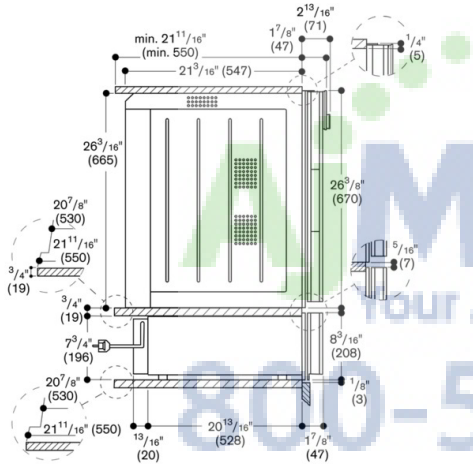
Consumption and connection features

UPC code
825225900597
Product color
Stainless steel
Alternative colors available
Watts (W)
810
Current (A)
15
Volts (V)
120
Frequency (Hz)
60
Approval certificates
CSA
Power Cord Length (in)
71 "
Plug type
120V-3 prong
Required cutout size (HxWxD) (in)
8 " x 28 1/2 " x 21 11/16 "
Overall appliance dimensions (HxWxD) (in)
8 3/16 " x 29 5/8 " x 21 5/8 "
Product packaging dimensions (HxWxD) (in)
12.99 x 28.34 x 33.46
Net weight (lbs)
64
Gross weight (lbs)
72

2013-11-15
Page 1



Side view WS 482 under BO 480



Side view WS 482 under BS 484/485

