



Color Variants

WS461710
Stainless steel-backed glass front
24" (60 cm), height 5 1/2"

WS461710
400 series warming drawer
Stainless steel-backed glass front
24" (60 cm), height 5 1/2"

- Handleless warming drawer
- Bright interior lighting
- Soft-closing system
- Hygienic stainless steel interior with glass bottom
- 4 temperature levels ranging from 100° F - 175° F
- Keeps food and drinks warm, also for preparing and cooking meals

Cooking modes

Defrosting of meals/proofing of yeast dough.
Preheating of small beverages.
Keeping meals warm/slow cooking.
Warming of dishes.

Operation

Rotary knob operation.
Recessed grip at the front bottom center of drawer.

Features

Net volume 0.75 cu.ft.
Usable interior dimensions: H 3 3/4" x W 18 11/16" x D 18 3/16"
Volume capacity: coffee set for 10 including espresso cups, cappuccino cups and plates or place settings for six including ø 11" plates and bowls.
Integrated base glass plate heating for easy cleaning.
Convection fan for even heat distribution.
Status display, visible in the glass front.
Base plate made of safety glass.
Max. load 55 lbs.

Planning notes

The front of the appliance extends 1 7/8" from the cabinet front.
Mount 24" 400 series single oven, combi-steam oven or CM 210 coffee machine directly on top of the warming drawer without a partition shelf in between.
The power outlet can be planned behind the appliance.

Rating

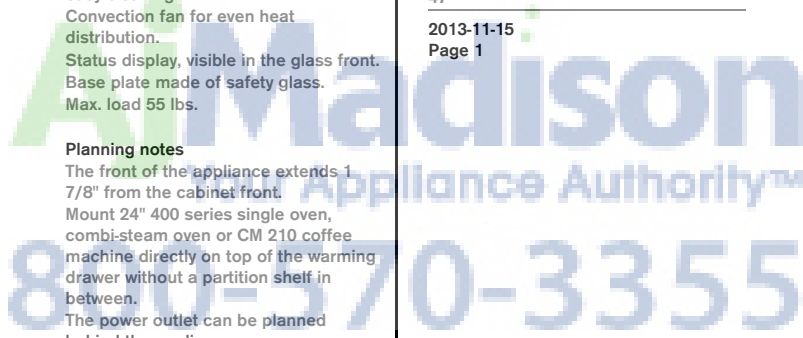
Total rating: 0.81 kW.
Total Amps: 10 A.
120 V / 60 Hz
Connecting cable 71 " with plug.

Product Features

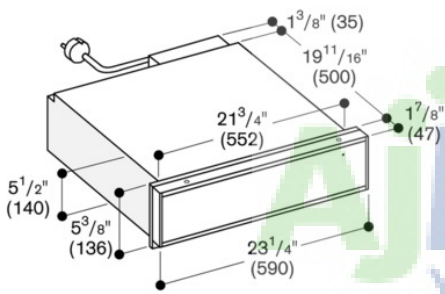
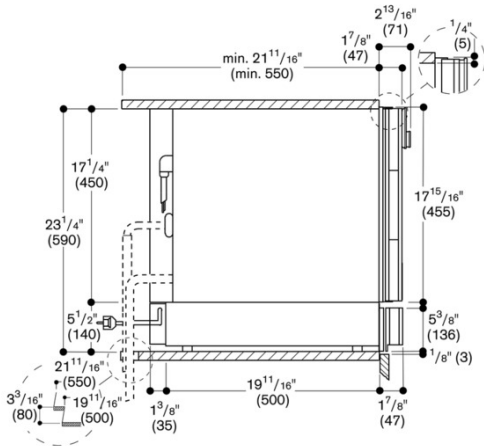
Power output heating
0.810
Power Level
Type of control
rotating switch
Temperature control
electronic
Time control

Consumption and connection features

UPC code
825225900580
Product color
Stainless steel
Alternative colors available
Watts (W)
810
Current (A)
10
Volts (V)
120
Frequency (Hz)
60
Approval certificates
CSA
Power Cord Length (in)
71 "
Plug type
120V-3 prong
Required cutout size (HxWxD) (in)
5 1/2 " x 22 1/16 " x 21 11/16 "
Overall appliance dimensions (HxWxD) (in)
5 1/2 " x 23 3/8 " x 21 1/16 "
Product packaging dimensions (HxWxD) (in)
8.26 x 25.98 x 29.13
Net weight (lbs)
43
Gross weight (lbs)
47
2013-11-15
Page 1



Side view WS 461 under BS, BM, CM



AJ Madison
Your Appliance Authority™

800-570-3355