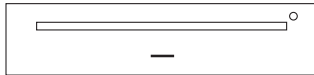


200 Series

Warming drawer



WS 260-610

24" (60 cm), height 5 1/2"

Brushed stainless steel

WS 260-630

24" (60 cm), height 5 1/2"

Shot-blasted aluminum

WS 260-610/630

- Stainless steel or aluminum front. Perfectly matching the CM 200 built-in, fully automatic coffee machine.

- Large temperature range from 85°-175°F. Ideal to preheat cups and plates and to reheat/refresh dishes and hot drinks - a useful addition to coffee machine and oven.

- Integrated base plate heating. Maximum usable interior space.

Warming drawer can preheat coffee cups and other dishes to keep food warm.

Convection fan for even heat distribution.

Light is on when in operation.

Volume capacity:

Coffee set for ten: espresso cups, cappuccino cups and plates, or place settings for six, including 11" plates and bowls.

Planning notes:

Interior volume: H 3 11/16" x W 18 11/16" x D 18 1/8"

Can be combined as built-in with CM 200:

Mount directly on top of each other without a partition in between.

Max. load 55 lbs.

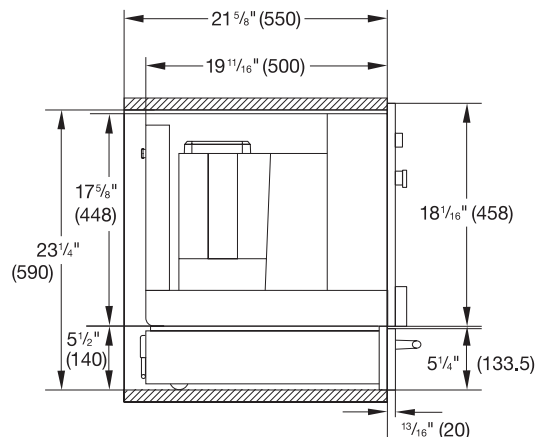
Drawer is retractable from housing for cleaning.

Rating:

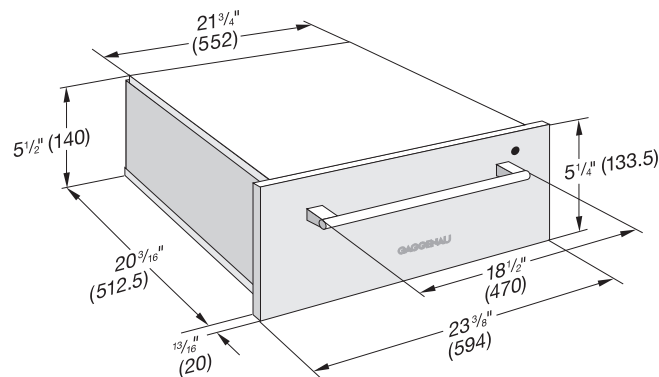
Total rating: 7 Amps
120V / 60Hz

Connection cable: 47" with grounding plug.

Installation with CM 200



WS 260 under CM 200



Numbers indicated inside parenthesis () = mm