



INSTALLATION INSTRUCTIONS

SUBBASE FOR WS, WE & WY MODELS

These instructions are provided for installation of the WallMaster Subbase. This accessory subbase can be used whenever a WallMaster air conditioner is installed in a wall from 2" to 12" thick, or when additional support or leveling of the unit is desired.

NOTE: The subbase should be assembled to the WSC sleeve before sleeve is installed in the wall, however it may be used with existing installations.

ELECTRICAL DATA

- STEP 1.** A field supplied receptacle to match chassis plug may be installed for power cord connections. Also, a location for an optional field-supplied disconnect switch is available.
- STEP 2.** Refer to chassis nameplate for proper circuit requirements.
- STEP 3.** All wiring must comply with local and national electrical codes.

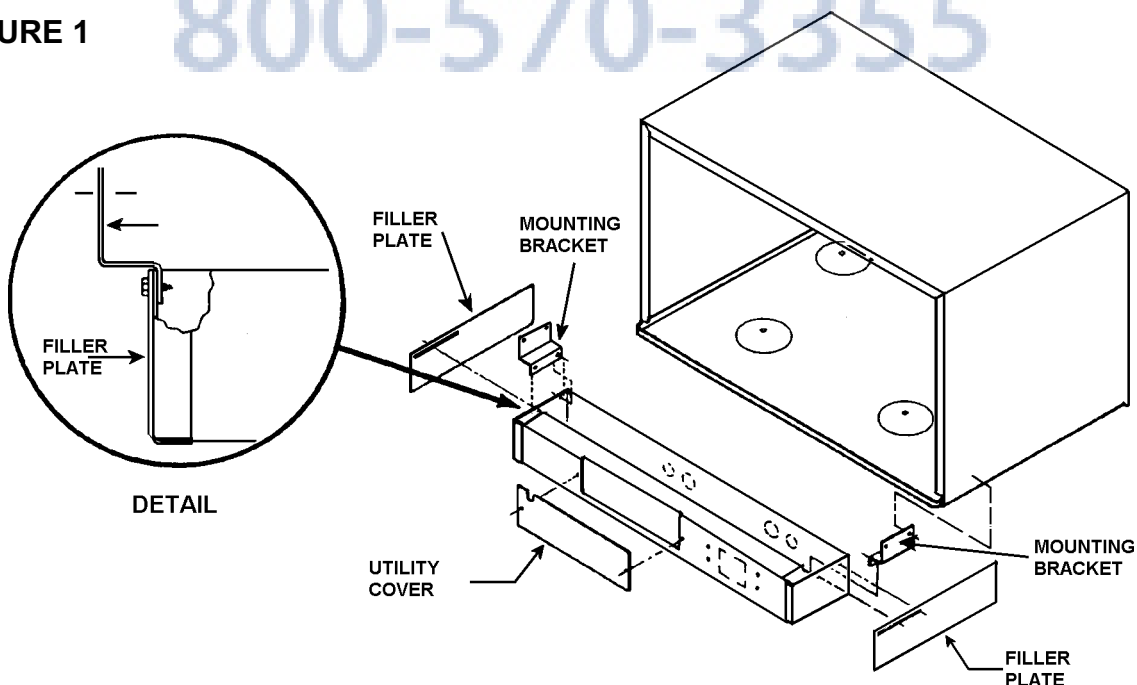
INSTALLATION INSTRUCTIONS

- STEP 1.** Attach left and right side template to WSC sleeve as indicated. Drill two 9/64" diameter holes in both sides. Remove templates.
- STEP 2.** Attach mounting brackets to sides of subbase and filler plate with four 3/8" phillips screws as shown in Figure 1. Do not tighten.

Madison
Your Appliance Authority™

800-570-3355

FIGURE 1



- STEP 3.** Attach subbase mounting brackets to holes in sleeve from Step 1 with four 1/4" phillips screws.
- STEP 4.** Determine correct distance from inside wall to front of subbase. Slide filler plates to correct distance and tighten screws. NOTE: For shorter distances, back of filler plate may be cut to size.
- STEP 5.** Insert wall sleeve and subbase assembly into wall opening as described in instructions provided with wall sleeve.
- STEP 6.** Level subbase flush with floor by adjusting leveling screws at each end of subbase.
- STEP 7.** After installing chassis into the sleeve, (per unit installation instructions), remove utility cover and route power cord to field-supplied receptacle if so desired. Replace utility cover.



Friedrich[®]

FRIEDRICH AIR CONDITIONING CO.
Post Office Box 1540 · San Antonio, Texas 78295-1540
4200 N. Pan Am Expressway · San Antonio, Texas 78218-5212
(210) 357-4400 · FAX (210) 357-4480
www.friedrich.com

Printed in the U.S.A.

617-407-00 (10-04)