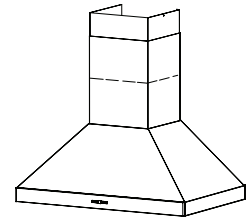


COLONNE WPP9IQ SERIES RANGE HOOD



The traditional chimney hood design from Italy has stood the test of time. The Colonne builds on this legacy with a new powerful design that can handle the needs of pro-style cooking.

FEATURES

- Italian design
- Wall mount
- Finishes: 430 Stainless Steel, #4 Brushed
- Widths: 36", 42", 48", 54"
- Ducted/non-ducted telescopic flue accommodates 8' to 9' ceilings (Purchase non-duct recirculation kit separately.)
- 8" round duct connector/backdraft damper on single blowers (10" round on dual blowers)
- 2-level halogen lamps, T4, G9, 25 Watt (3 lamps on 36" & 42" widths, 4 lamps on 48" & 54" widths)
- 3-speed plus boost, electronic pushbutton with display
- Quiet iQ6 blower system with high-efficiency BLDC motor
- Heat Sentry™ - automatically turns blower to high speed when excess cooking heat is detected
- Delay timer control automatically shuts off range hood after 10 minutes
- Special control indicates when it's time to clean the filter
- Dishwasher-safe, mesh lined, Hi-Flow™ baffle filters
- For indoor use only

OPTIONS

- Non-ducted recirculation kit (Model ANKWPP9 - for single blowers only)
- Replacement charcoal filters available (Model AFCROUND2 - for single blowers only)
- Flue extension for 10-ft. to 11-ft. ceilings (ducted Model AEWPP9SB) (non-ducted Model AEWPP9SBN)

SPECIFICATIONS

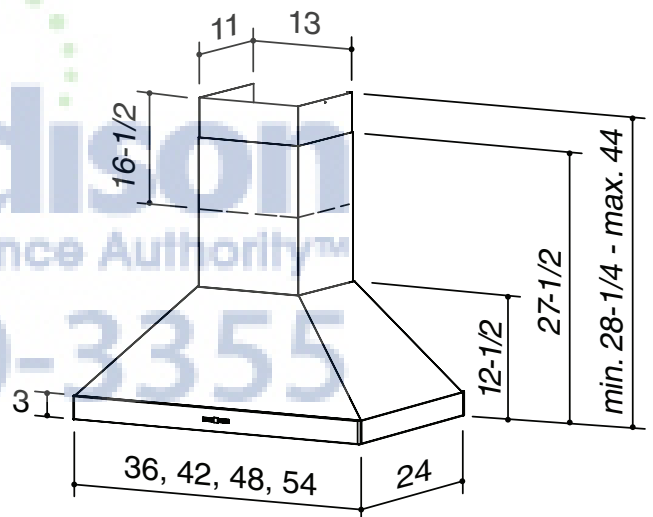
BLOWER	VOLTS	AMPS	CFM / SONES (Boost)	CFM / SONES (High Speed)	CFM / SONES (Med. Speed)	CFM / SONES (Low Speed)	DUCT
SINGLE	120	4.5	600 / 8.0			140 / <0.3	8" round
DUAL	120	8.5	1100 / 10.5	890 / 7.5	640 / 4.0	295 / <0.3	10" round

This product was tested by Broan-NuTone for airflow performance using the ANSI/AMCA 210 Standard, which is equivalent to the Home Ventilating Institute HVI 916 - Procedure for Air Flow Testing, and tested for sound performance using the ANSI S12.51 Standard, which is equivalent to the Home Ventilating Institute HVI 915 - Procedure for Loudness Rating of Residential Fan Products.

BEST Hartford, Wisconsin www.BestRangeHoods.com 800-558-1711
 BEST Drummondville, QC, Canada www.BestRangeHoods.com 866-737-7770

iQ6 - 600 CFM Blower System providing:

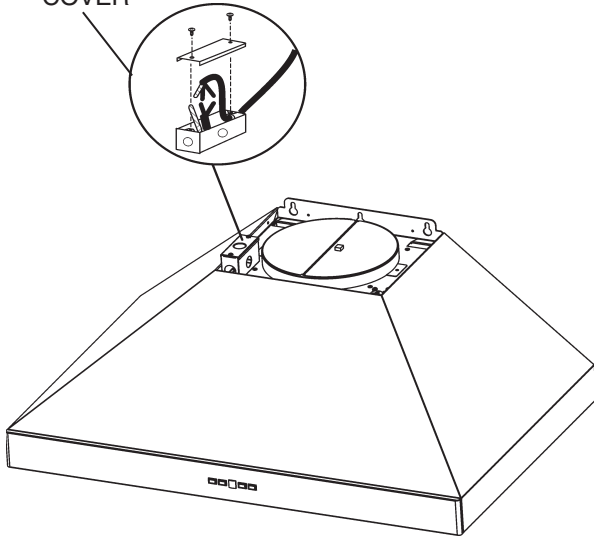
- Best in class quiet operation.
- Up to 30% faster smoke and odor removal than comparable models.
- Up to 22x more energy efficient than comparable models.
- Guaranteed Performance System (GPS) technology calibrates the hood system to every installation to provide up to 30% more CFM than standard range hoods.
- Using a duct reducer with this hood may prevent the product from calibrating.



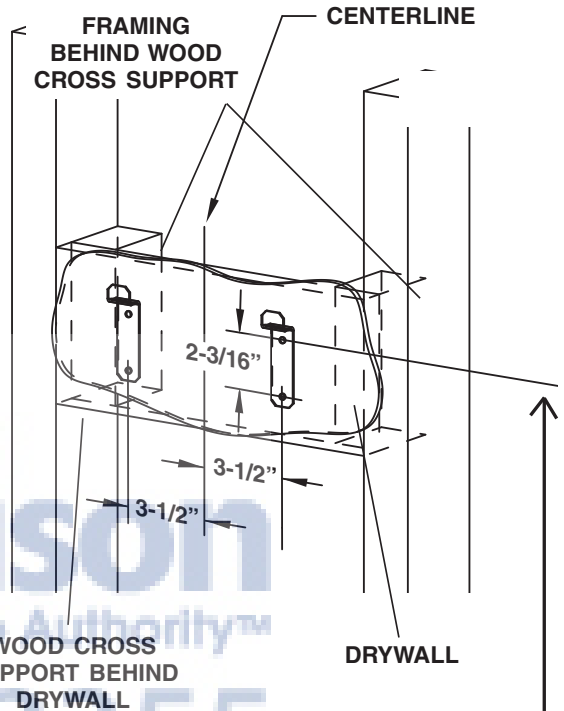
REFERENCE	QTY.	REMARKS	Project
			Location
			Architect
			Engineer
			Contractor
			Submitted by
			Date

WPP9IQ SERIES WIRING

WIRING BOX COVER



WPP9IQ SERIES MOUNTING



CEILING HEIGHT	DUCT METHOD	HOOD DISTANCE ABOVE 36" HIGH COOK TOP (see note below)												
		24"	25"	26"	27"	28"	29"	30"	31"	32"	33"	34"	35"	36"
		MOUNTING BRACKET CENTER HOLE LOCATION ABOVE 36" HIGH COOK TOP												
8 FEET	DUCTED	44 1/4"	45 1/4"	46 1/4"	47 1/4"	48 1/4"	49 1/4"	50 1/4"	51 1/4"	52 1/4"	53 1/4"	54 1/4"	55 1/4"	56 1/4"
	NON-DUCTED	44 1/4"	45 1/4"	46 1/4"	47 1/4"	48 1/4"	49 1/4"							
9 FEET	DUCTED							50 1/4"	51 1/4"	52 1/4"	53 1/4"	54 1/4"	55 1/4"	56 1/4"
	NON-DUCTED							50 1/4"	51 1/4"	52 1/4"	53 1/4"	54 1/4"	55 1/4"	56 1/4"
10 FEET (see note b.)	DUCTED	44 1/4"	45 1/4"	46 1/4"	47 1/4"	48 1/4"	49 1/4"	50 1/4"	51 1/4"	52 1/4"	53 1/4"			
	NON-DUCTED	44 1/4"	45 1/4"	46 1/4"	47 1/4"	48 1/4"	49 1/4"	50 1/4"	51 1/4"	52 1/4"	53 1/4"			
11 FEET (see notes a. & b.)	DUCTED									52 1/4"	53 1/4"	54 1/4"	55 1/4"	56 1/4"
	NON-DUCTED									52 1/4"	53 1/4"	54 1/4"	55 1/4"	56 1/4"

* Possible installation height - however, Non-Duct Filter Slots will be exposed on WPP9IQ36SB & WPP9IQ42SB.

a. Minimum hood distance above cook top must not be less than 24". A maximum of 30" above cook top is highly recommended for best capture of cooking impurities. Distances over 30" are at the installer and user's discretion; and if ceiling height and flue length permit.

b. Requires optional 10-ft. to 11-ft. flue extension, ducted model AEWPP9SB or non-ducted model AEWPP9SBN.

