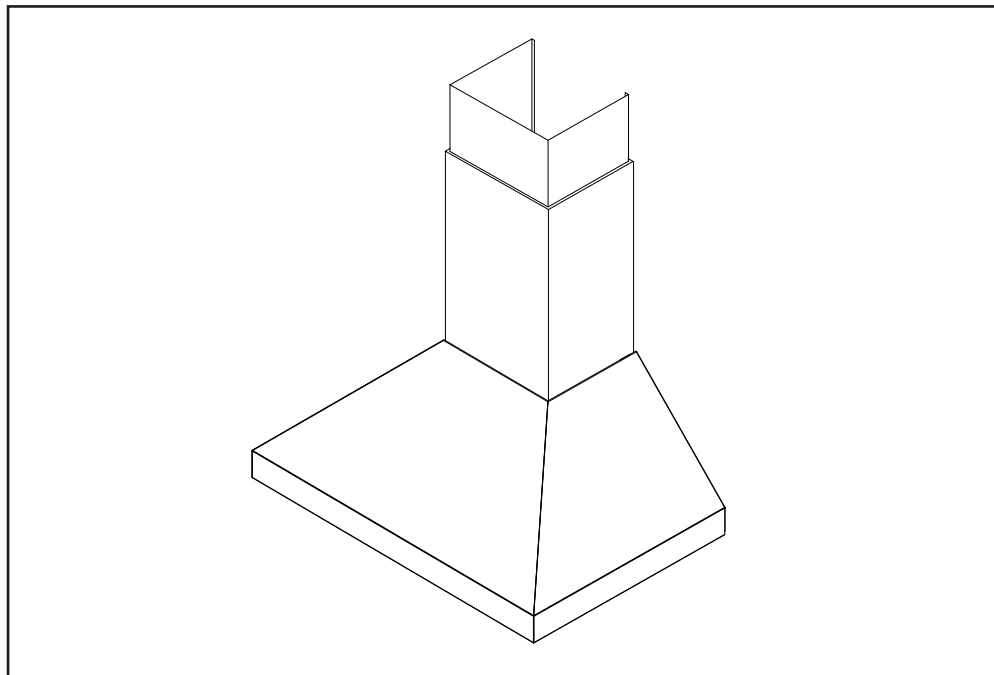


# best<sup>®</sup>



## WPP1 SERIES

**⚠ INTENDED FOR DOMESTIC COOKING ONLY ⚠**

**READ AND SAVE THESE INSTRUCTIONS**

**INSTALLER: LEAVE THIS MANUAL WITH HOMEOWNER.  
HOMEOWNER: USE AND CARE INFORMATION ON PAGE 13.**

BEST, 926 West State Street, Hartford, Wisconsin, USA 53027 BestRangeHoods.com 800-558-1711  
BEST, 550 Lemire Blvd., Drummondville, Québec, Canada J2C 7W9 BestRangeHoods.ca 800-567-3855

To register your product online or for additional information visit BestRangeHoods.com (in USA) or BestRangeHoods.ca (in Canada)

## **WARNING**

### **TO REDUCE THE RISK OF FIRE, ELECTRIC SHOCK OR INJURY TO PERSONS, OBSERVE THE FOLLOWING:**

1. Use this unit only in the manner intended by the manufacturer. If you have questions, contact the manufacturer at the address or telephone number listed in the warranty.
2. Before servicing or cleaning unit, switch power off at service panel and lock service disconnecting means to prevent power from being switched on accidentally. When the service disconnecting means cannot be locked, securely fasten a prominent warning device, such as a tag, to the service panel.
3. Installation work and electrical wiring must be done by qualified personnel in accordance with all applicable codes and standards, including fire-rated construction codes and standards.
4. Sufficient air is needed for proper combustion and exhausting of gases through the flue (chimney) of fuel burning equipment to prevent backdrafting. Follow the heating equipment manufacturer's guidelines and safety standards such as those published by the National Fire Protection Association (NFPA) and the American Society for Heating, Refrigeration and Air Conditioning Engineers (ASHRAE) and the local code authorities.
5. When cutting or drilling into wall or ceiling, do not damage electrical wiring and other hidden utilities.
6. Ducted fans must always be vented to the outdoors.
7. Do not use this unit with any separate solid-state speed control device.
8. To reduce the risk of fire, use only metal ductwork.
9. This unit must be grounded.
10. When installing, servicing or cleaning the unit, it is recommended to wear safety glasses and gloves.
11. When applicable local regulations comprise more restrictive installation and/or certification requirements, the aforementioned requirements prevail on those of this document and the installer agrees to conform to these at his own expenses.

### **TO REDUCE THE RISK OF A RANGE TOP GREASE FIRE:**

- a) Never leave surface units unattended at high settings. Boilovers cause smoking and greasy spillovers that may ignite. Heat oils slowly on low or medium settings.
- b) Always turn hood ON when cooking at high heat or when flambeing food (i.e.: Crêpes Suzette, Cherries Jubilee, Peppercorn Beef Flambé).
- c) Clean ventilating fans frequently. Grease should not be allowed to accumulate on fan or filters.
- d) Use proper pan size. Always use cookware appropriate for the size of the surface element.

### **TO REDUCE THE RISK OF INJURY TO PERSONS IN THE EVENT OF A RANGE TOP GREASE FIRE, OBSERVE THE FOLLOWING\*:**

1. SMOTHER FLAMES with a close-fitting lid, cookie sheet or metal tray, then turn off the burner. BE CAREFUL TO PREVENT BURNS. IF THE FLAMES DO NOT GO OUT IMMEDIATELY, EVACUATE AND CALL THE FIRE DEPARTMENT.
2. NEVER PICK UP A FLAMING PAN — You may be burned.
3. DO NOT USE WATER, including wet dishcloths or towels — violent steam explosion will result.
4. Use an extinguisher ONLY if:
  - A. You know you have a Class ABC extinguisher and you already know how to operate it.
  - B. The fire is small and contained in the area where it started.
  - C. The fire department is being called.
  - D. You can fight the fire with your back to an exit.

\* Based on "Kitchen Fire Safety Tips" published by NFPA.

## **CAUTION**

1. For indoor use only.
2. For general ventilating use only. Do not use to exhaust hazardous or explosive materials and vapors.
3. To avoid motor bearing damage and noisy and/or unbalanced impellers, keep drywall spray, construction dust, etc. off power unit.
4. Your hood motor has a thermal overload which will automatically shut off the motor if it overheats. The motor will restart when it cools down. If the motor continues to shut off and restart, have the hood serviced.
5. The minimum hood distance above cooktop must not be less than 24". A maximum of 30" above cooktop is recommended for best capture of cooking impurities.
6. Two installers are recommended because of the large size and weight of this unit.
7. To reduce the risk of fire and to properly exhaust air on a ducted installation, be sure to duct air outside — Do not exhaust air into spaces within walls or ceiling or into attics, crawl spaces or garage.
8. Because of the high exhausting capacity of this hood, make sure enough air is entering the house. Open a window close to or in the kitchen.
9. To reduce the risk of fire and electrical shock, the Best WPP1 series models should only be installed with their own built-in blowers.
10. As an alternative, this product may be installed with the UL-approved range hood cord kit HCK44, following instructions packed with the cord kit.
11. Please read specification label on product for further information and requirements.

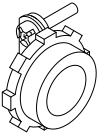





# Table of content

1. PREPARE THE INSTALLATION .....	3
2. SELECT INSTALLATION TYPE .....	4
3. HOOD SPECIFICATIONS.....	4
4. INSTALL HOOD MOUNTING BRACKET .....	5
5. INSTALL UPPER FLUE MOUNTING BRACKET .....	6
6. REMOVE HI-FLOW BAFFLE FILTERS.....	6
7. INSTALL THE HOOD .....	7
8. CONNECT WIRING .....	8
9. INSTALL 8" ADAPTER/DAMPER .....	9
10. INSTALL 10" ADAPTER/DAMPER.....	9
11. DUCT CONNECTION.....	10
12. PREPARE DECORATIVE FLUE.....	10
13. INSTALL DECORATIVE FLUE.....	10
14. REINSTALL HI-FLOW BAFFLE FILTERS .....	12
15. CRT OPTION ACTIVATION INSTRUCTIONS FOR WPP1366SS ONLY .....	12
16. CALIBRATE IQ BLOWER SYSTEM™ .....	13
17. USE AND CARE .....	13
18. OPERATION .....	14
19. SERVICE PARTS .....	15
20. WARRANTY .....	16

## 1. PREPARE THE INSTALLATION

Make sure the following items are included:

- Hood
- Decorative flue
- Upper flue mounting bracket (taped inside the hood)
- Hood mounting bracket (taped inside the hood)
- WPP1366SS: 8" round adapter and damper
- WPP13612SS and WPP14812SS: 10" round adapter and damper
- Installation manual
- Necessary hardware included in parts bag (parts left over are spare parts):

	1 x wire clamp		5 x wall anchors		10 x no. 8 x 1-1/2" screws
	3 x wire connectors		4 x washers		6 x no. 8 x 3/8" screws

Parts sold separately:

- AEWPP1SBN: Decorative flue for ceilings up to 12' high
- HCK44: Cord kit

## 2. SELECT INSTALLATION TYPE

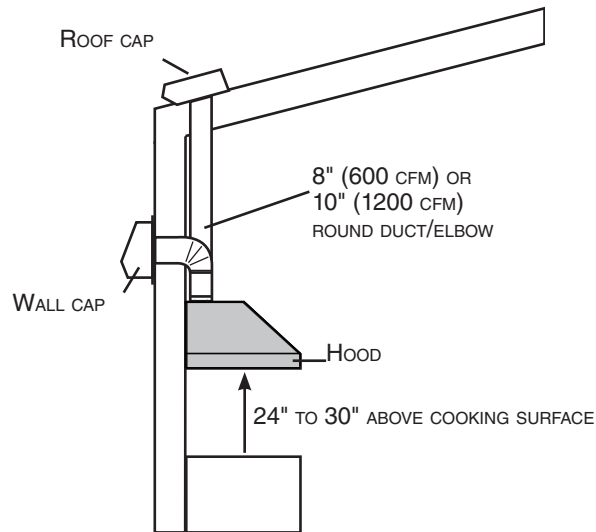
### ⚠ WARNING

When performing installation, servicing or cleaning the unit, it is recommended to wear safety glasses and gloves.

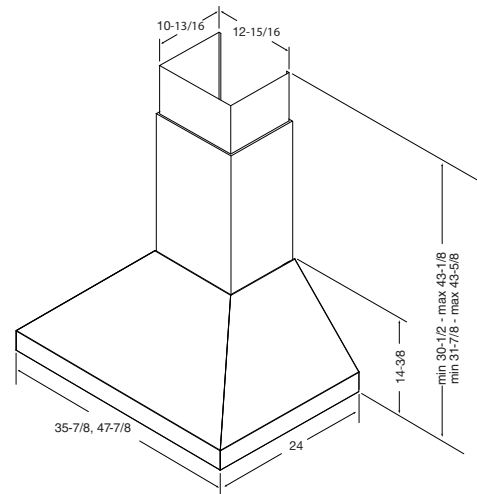
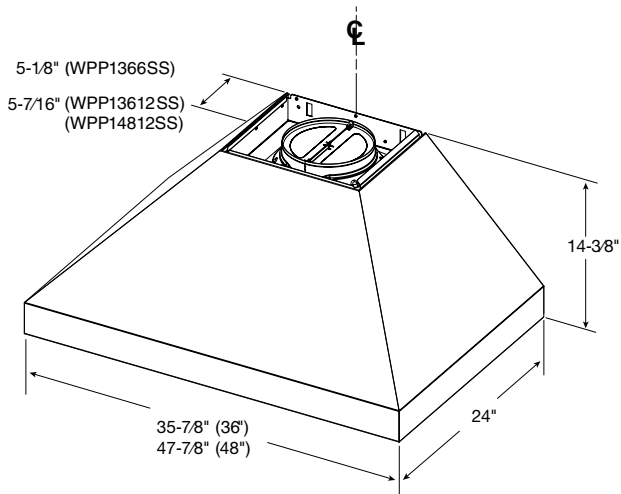
Plan where and how the ductwork will be installed. A straight, short duct run will allow the hood to perform most efficiently. Refer to illustration below.

Install 8-inch or 10-inch ductwork, elbows (if needed) and roof or wall cap. Connect metal ductwork to the cap and work back towards the hood location. Use 2" metal foil duct tape to seal the joints.

The minimum hood distance above cooktop must not be less than 24". A maximum of 30" above cooktop is recommended for best capture of cooking impurities.



## 3. HOOD SPECIFICATIONS



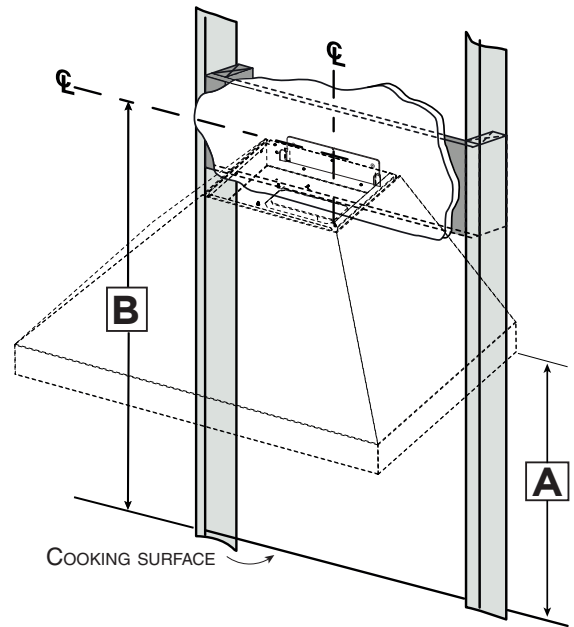
## 4. INSTALL HOOD MOUNTING BRACKET

### WARNING

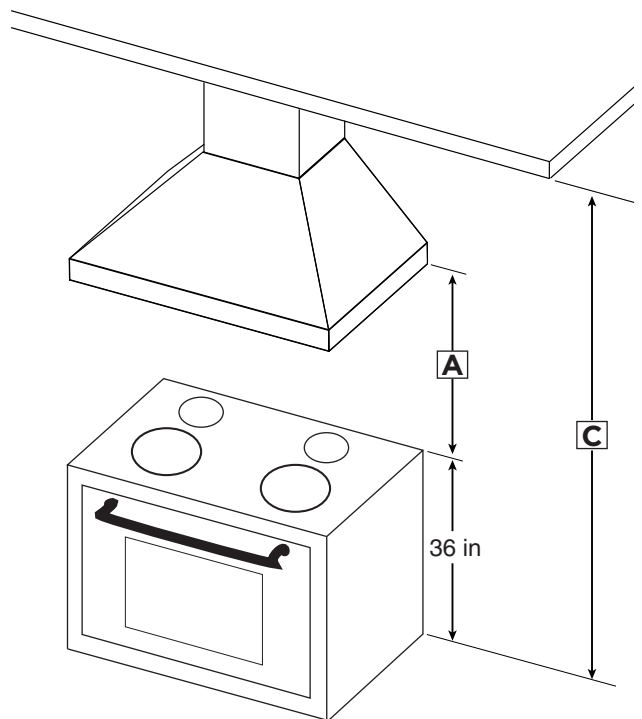
When cutting or drilling into wall, do not damage electrical wiring and other hidden utilities. Ensure that the wall is solid enough to withstand the weight of the hood.

If necessary, construct a wall framing using minimum 2" x 4" lumber. Proper structural support is required to accommodate the weight of the hood. After the wall surface is finished, measure and mark the center of the holes on the bracket; draw the vertical center line up to the ceiling. Carefully center and level the hood mounting bracket over the installation location. Secure it to the wall framing using 3 no. 8 x 1½" screws.

A	B
Hood distance above cooktop (in)	Mounting bracket holes distance above cooktop (in)
24	38-7/8
25	39-7/8
26	40-7/8
27	41-7/8
28	42-7/8
29	43-7/8
30	44-7/8



	C	A
Standard flue	Ceiling height	Hood distance above cooktop (in)
	7 ft 7 in to 8 ft 7 in	24 to 30
	8 ft 8 in	25 to 30
	8 ft 9 in	26 to 30
	8 ft 10 in	27 to 30
	8 ft 11 in	28 to 30
	9 ft	29 to 30
	9 ft 1 in	30
*Lower part of optional flue AEWPP1SBN + Upper part of standard flue	9 ft 2 in to 9 ft 6 in	24 to 30
Optional flue AEWPP1SBN	9 ft 7 in to 11 ft 8 in	24 to 30
	11 ft 9 in	25 to 30
	11 ft 10 in	26 to 30
	11 ft 11 in	27 to 30
	12 ft	28 to 30
	12 ft 1 in	29 to 30
	12 ft 2 in	30



## 5. INSTALL UPPER FLUE MOUNTING BRACKET

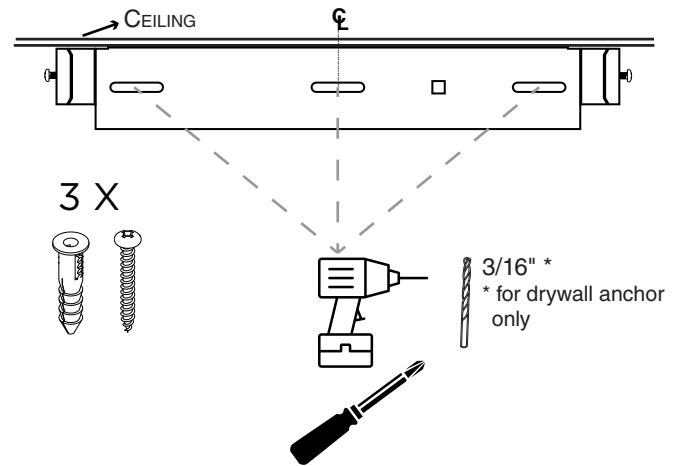
**NOTE:** The upper flue mounting bracket is taped inside the hood, but the mounting bracket screws are in the parts bag of the hood.

Center the upper flue mounting bracket with the center line drawn in the previous step and place it flush with the ceiling.

Use the upper flue mounting bracket as a template to mark the position of the screws.

Secure the upper flue mounting bracket to the wall using 3 no. 8 x 1½" screws and wall anchors if needed.

Ensure that the bracket is tight against the wall.

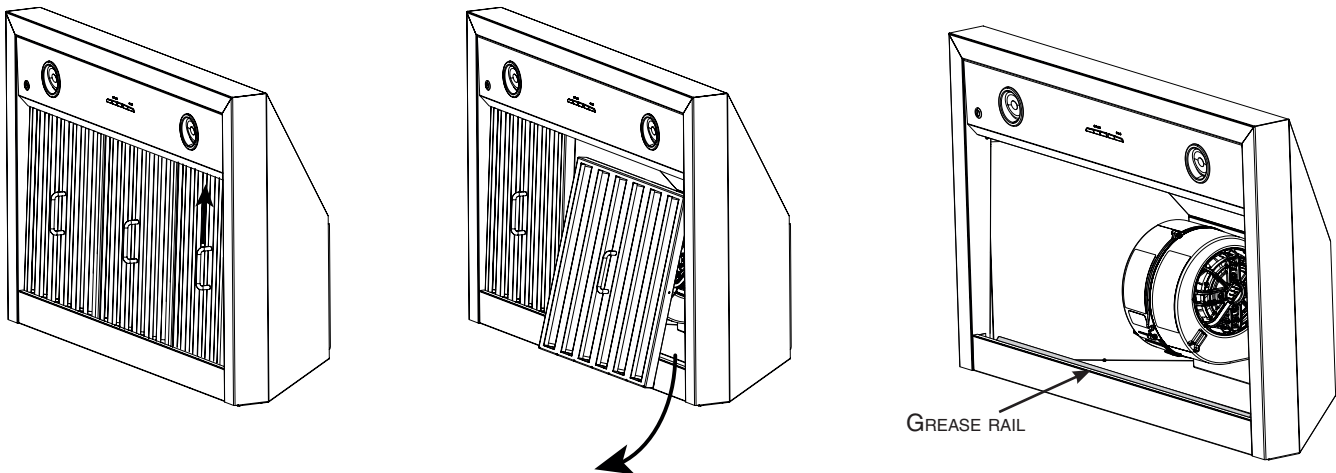


## 6. REMOVE HI-FLOW BAFFLE FILTERS

Rest the range hood on a protected surface and remove the tape from the filters. Remove the filters from the range hood by pushing them towards the nose of the hood and rotate downwards. Remove the parts bag and the hood mounting bracket from inside the hood and set these parts aside.

### CAUTION

Keep tapes (2) holding the grease rail in place until hood is installed on the wall.



## 7. INSTALL THE HOOD

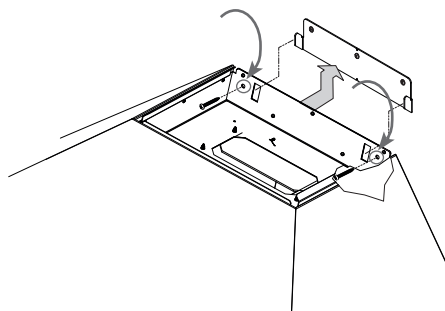
### WARNING

**BE CAREFUL** when installing the decorative flue and hood, they may have sharp edges.

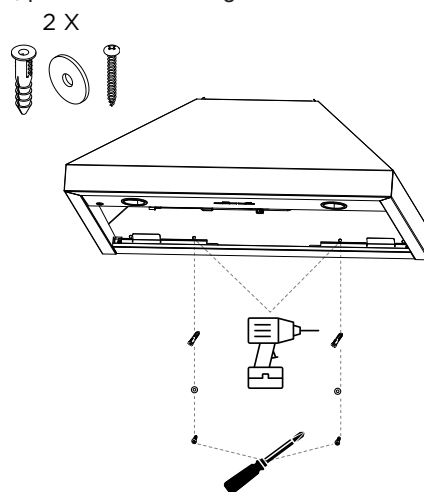
### CAUTION

**DO NOT REMOVE** the protective plastic film covering the decorative flue.

1. Align the hood and center it above the hood mounting bracket. Gently lower the hood until it securely engages the bracket.
2. Level the hood.
3. While the hood is hanging in place, secure it to the wall through both holes located in the upper back of hood using 2 no. 8 x 1½" screws and washers.



4. Using at least 1 hole on each side of the lower back of the hood, secure the hood into solid material (wall studs) using 2 no. 8 x 1½" screws and washers. If required, pre-drill holes using a 3/16" drill bit then insert wall anchors before securing the screws.

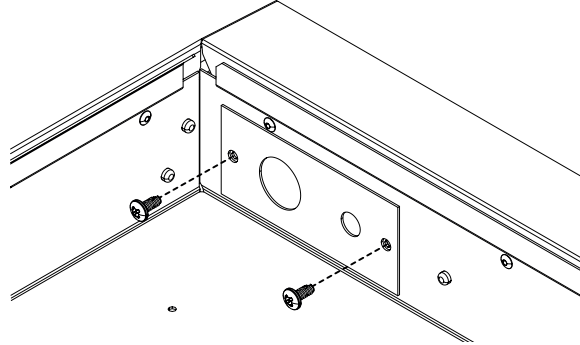


## 8. CONNECT WIRING

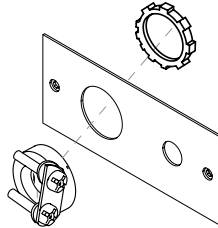
### WARNING

Risk of electric shock. Electrical wiring must be done by qualified personnel in accordance with all applicable codes and standards. Before connecting wires, switch power off at service panel and lock service disconnecting means to prevent power from being switched on accidentally.

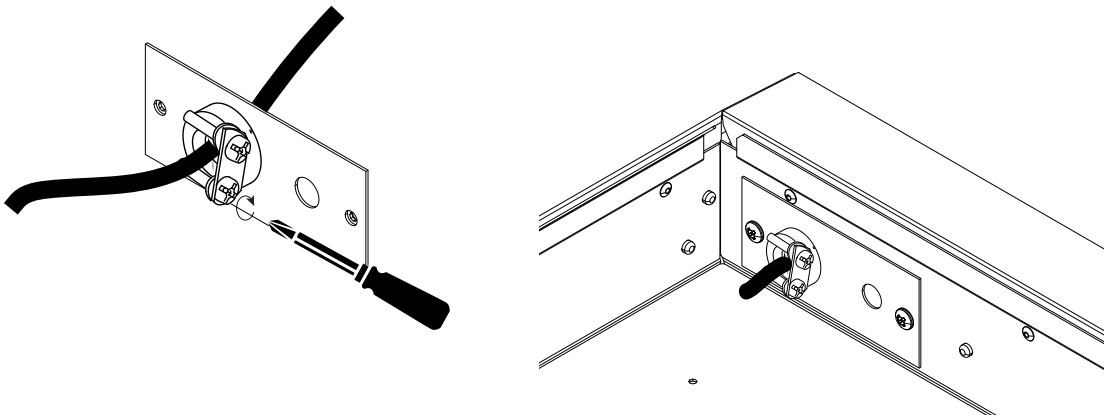
1. Remove strain relief plate.



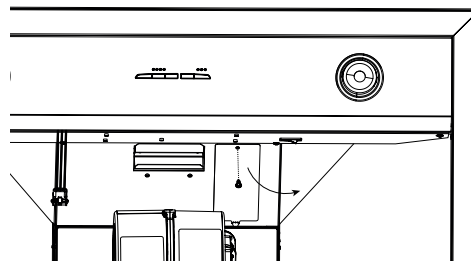
2. Install strain relief.



3. Insert the house wiring cable through the wire clamp and tighten the wire clamp screws to secure the cable.
4. Reinstall strain relief plate.



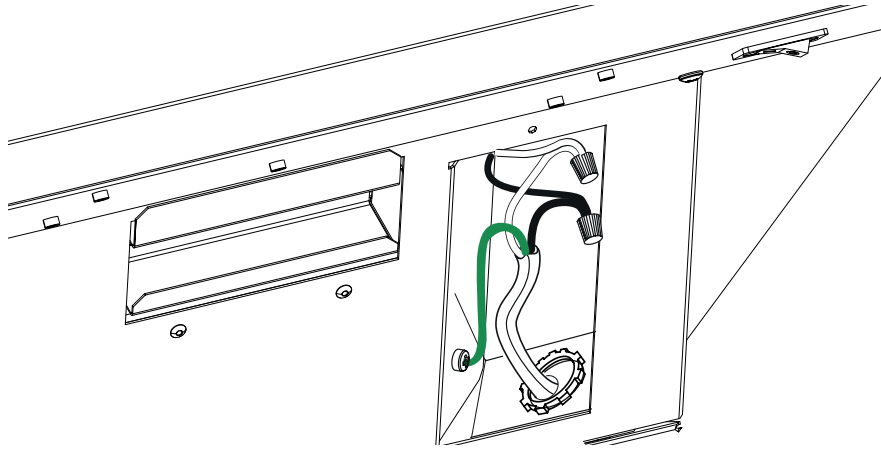
5. From inside the hood, remove electrical cover.





## 8. CONNECT WIRING (CONTINUED)

6. Connect the power cable to the range hood wires using provided wire connectors. Connect BLACK to BLACK, WHITE to WHITE and GREEN or bare wire under GREEN ground screw located inside the hood. DO NOT FORGET TO CONNECT THE GROUND.
7. Reinstall electrical cover removed at step 5.

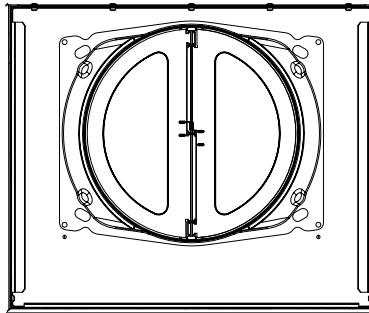


### CAUTION

Make sure not to pinch any wire when reinstalling the electrical cover.

## 9. INSTALL 8" ADAPTER/DAMPER

Using 4 no. 8 x 3/8" screws from parts bag, assemble the adapter/damper on the top of the hood. To ensure proper opening of the dampers, remove shipping tape if present. Seal all joints with metal foil duct tape to eliminate air leaks.

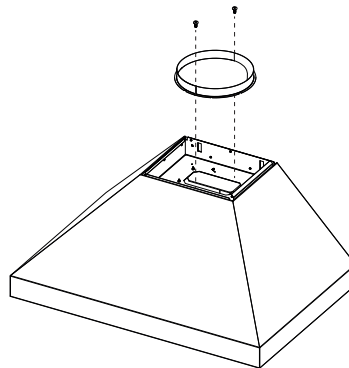


## 10. INSTALL 10" ADAPTER/DAMPER

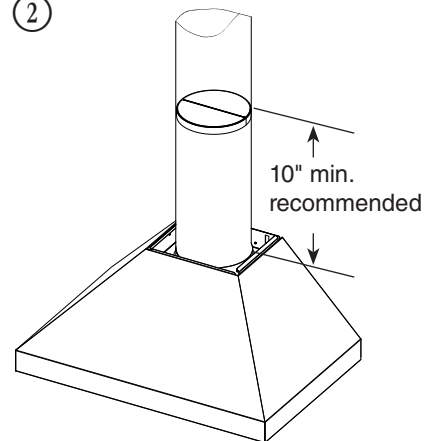
- ① Using 2 no. 8 x 3/8" screws from parts bag, assemble the adapter on the top of the hood. Seal all joints with metal foil duct tape to eliminate air leaks.

- ② Install 10" in-line damper inside the vertical ductwork that will be attached to the hood. Do not install in a horizontal ductwork or it will not open and close properly. Remove shipping tape if present. Secure the damper to the duct with 3 no. 8 sheet metal screws (not provided). Ensure damper opens and closes freely. Seal all joints with metal foil duct tape to eliminate air leaks.

①



②

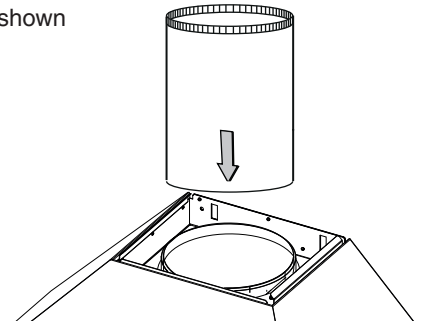


## 11. DUCT CONNECTION

---

Slide a 8" or 10" metal round duct over the adapter ring on top of the hood. Use metal foil duct tape to seal the joint.

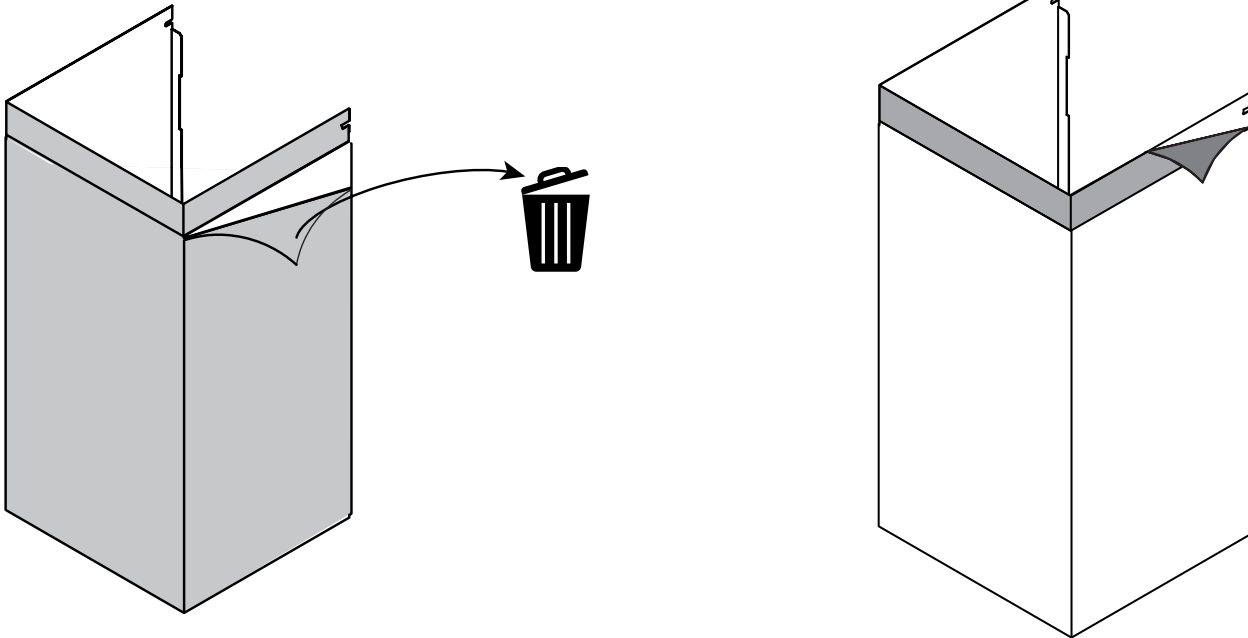
10" shown



## 12. PREPARE DECORATIVE FLUE

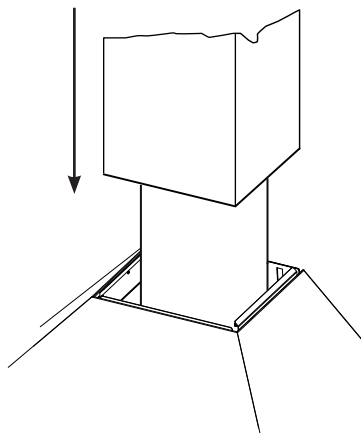
---

Remove protective film on the lower part. Begin removing protective film on the upper part.

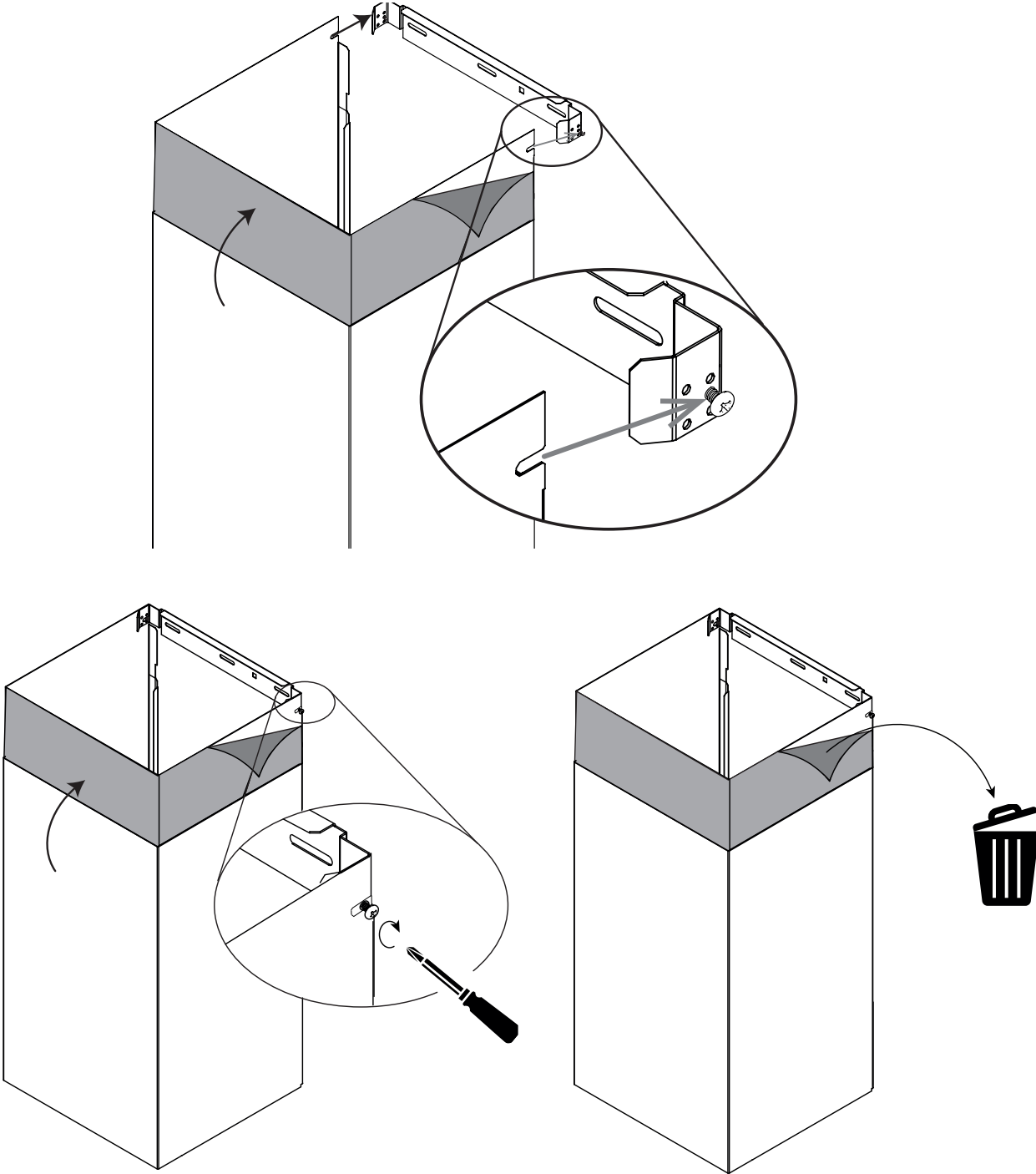


## 13. INSTALL DECORATIVE FLUE

---



13. INSTALL DECORATIVE FLUE (CONTINUED)



## 14. REINSTALL HI-FLOW BAFFLE FILTERS

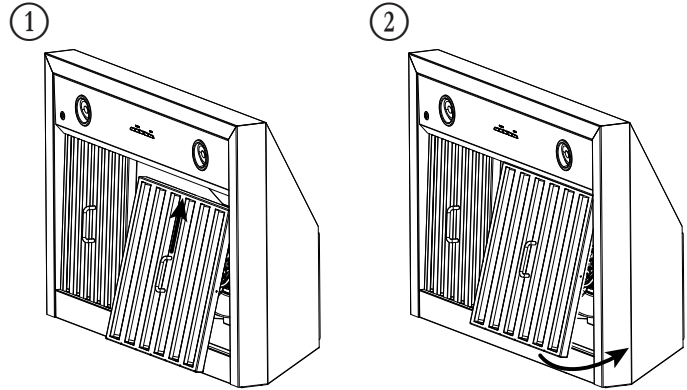
### CAUTION

Remove protective plastic film covering hybrid baffle filters before installing them.

### CAUTION

Remove tapes (2) holding the grease rail in place.

- ① Insert the end of the hybrid baffle filter in the front channel of the hood.
- ② Raise the other end toward the inside and insert it in the back channel of the hood.



## 15. CRT OPTION ACTIVATION INSTRUCTIONS FOR WPP1366SS ONLY

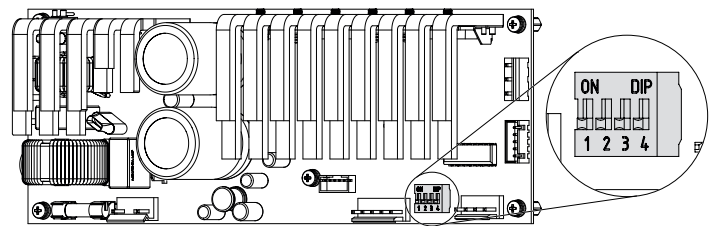
### ⚠ WARNING

**Risk of electrical shock. This procedure must be done by qualified personnel in accordance with all applicable codes and standards. Before proceeding, switch power off at service panel and lock service disconnecting means to prevent power from being switched on accidentally.**

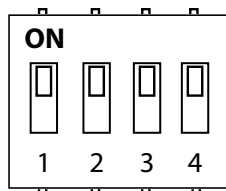
**IMPORTANT NOTE:** The CRT (Code Ready Technology™) option allows changing the blower output from the factory setting (600 CFM) to a maximum of 400 CFM or 300 CFM. The CRT option activation will reduce the hood airflow thus performing within the minimal allowable limit of Make-Up Air (MUA) codes to meet some building code requirements. Do not attempt to change the factory blower CFM setting unless this change is required. This change will alter the performance of your product.

### How to activate the CRT option:

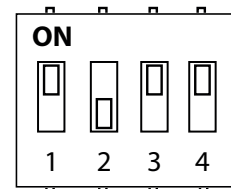
1. Locate the dip switches on the electronic board.



2. Using a precision screwdriver, set the dip switches as per one of the illustrations hereafter.



300 CFM  
SETTING



400 CFM  
SETTING

3. Locate the label, next to the blower specifications label, then mark the corresponding box.

## 16. CALIBRATE IQ BLOWER SYSTEM™

After the hood is installed and wired, engage the calibration process (our Guaranteed Performance System Technology to ensure full-rated airflow is being delivered). Prior to calibration, ensure that all filters, light bulbs and duct system are installed.

### **CALIBRATION PROCESS**

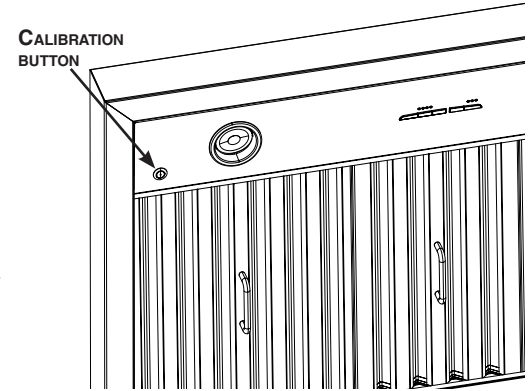
Hold the calibration button for 3 seconds; calibration button will light up and stay on for up to 13 minutes. The blower will start and begin the calibration process. When calibration is complete, one of two things will occur:

- A. The blower turns off and calibration button light stays on = Successful calibration. Press the button to turn off the LED. NOTE: The LED will also turn off if you select any blower speed on the control.
- B. The blower turns off and calibration button light blinks continuously = Too much restriction in the ductwork is preventing the IQ Blower System™ from achieving the rated airflow. The blower is automatically set to maximum intensity.

NOTE: Common items that cause restrictions: restricted damper flap (backdraft damper, wall cap, roof cap), too many elbows, duct size less than 80% of hood outlet, poor transition, use of flex ducting and/or crushed ducting.

Three options are available if your hood system has too much restriction:

1. Accept airflow as is. Press the calibration button to accept airflow as is. The IQ Blower System™ is now configured to its highest possible performance. The blinking calibration light goes out. NOTE: The LED will also turn off if you select any blower speed on the control.
2. Correct duct restriction, clear the original calibration data, and repeat the calibration process.
  - a. Correct the duct restriction.
  - b. Clear the original calibration data by holding calibration button for 10 seconds. The light will blink 3 times to confirm and the blower configuration will go back to default settings.
  - c. Repeat calibration process from the beginning.
3. Clear calibration data to reset hood to default factory settings and achieve standard high pressure blower performance by holding calibration button for 10 seconds. The light will blink 3 times to confirm and the blower configuration will go back to default settings.



## 17. USE AND CARE

### **Hi-Flow Baffle Filters**

The hybrid baffle filters should be cleaned frequently. Use a warm detergent solution. Wash more often if your cooking style generates greater grease — like frying foods or wok cooking.

Remove hybrid baffle filters by pushing them towards the front of hood and rotating filters downward. Baffle filters are dishwasher safe. Allow filters to dry completely before reinstalling them in the hood.

Clean all-metal filters in the dishwasher using a non-phosphate detergent. Discoloration of the filter may occur if using phosphate detergent or as a result of local water conditions — but this will not affect filter performance. This discoloration is not covered by the warranty.

### **Grease Rail Cleaning**

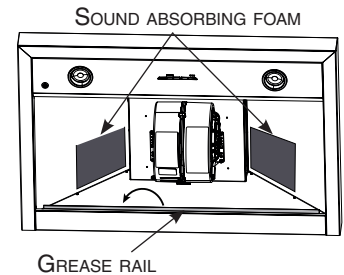
The grease drip rail should be cleaned frequently. Remove it from the hood (see hereafter) and use a warm detergent solution. As with the baffle filters, wash more often if your cooking style generates greater grease — like frying foods or wok cooking. Allow grease drip rail to dry completely before reinstalling it in the hood.

### **Foam Cleaning**

Hood is equipped with sound absorbing foam. Gently clean foam surface using a soft cloth.

### **Hood Cleaning**

Stainless steel cleaning:



<b>Do:</b>	<b>Don't:</b>
<ul style="list-style-type: none"> <li>• Regularly wash with clean cloth or rag soaked with warm water and mild soap or liquid dish detergent.</li> <li>• Always clean in the direction of original polish lines.</li> <li>• Always rinse well with clear water (2 or 3 times) after cleaning. Wipe dry completely.</li> <li>• You may also use a specialized household stainless steel cleaner.</li> </ul>	<ul style="list-style-type: none"> <li>• Use any steel or stainless steel wool or any other scrapers to remove stubborn dirt.</li> <li>• Use any harsh or abrasive cleansers.</li> <li>• Allow dirt to accumulate.</li> <li>• Let plaster dust or any other construction residues reach the hood. During construction/renovation, cover the hood to make sure no dust sticks to stainless steel surface.</li> </ul>

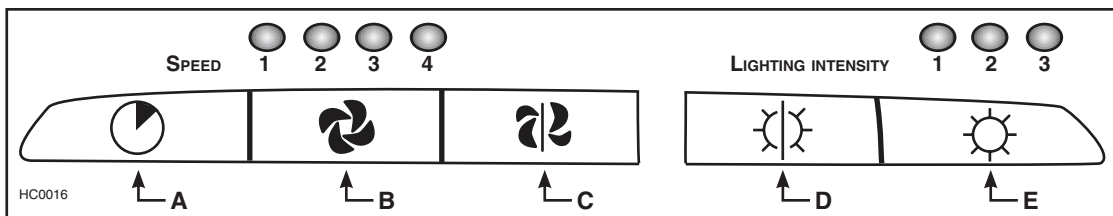
### **Avoid when choosing a detergent:**

- Any cleaners that contain **bleach** will attack stainless steel.
- Any products containing: **chloride, fluoride, iodide, bromide** will deteriorate surfaces rapidly.
- Any combustible products used for cleaning such as **acetone, alcohol, ether, benzol**, etc., are highly explosive and should never be used close to a range.

## 18. OPERATION

Always turn your blower on before you begin cooking to establish an airflow in the kitchen. Let the blower run for a few minutes to clear the air after you turn off the range.

- A) Blower delay-off button
- B) ON blower/Speed control button
- C) OFF blower/  
Filter maintenance button
- D) OFF lighting
- E) ON light button (3 settings)



### A. BLOWER DELAY-OFF BUTTON:

When blower is on, press the delay-off button to activate the delay-off function. The corresponding speed indicator LED will start flashing to indicate this function is activated. The fan will continue to operate for 10 minutes and will stop automatically. To cancel the delay-off function, press the blower delay-off button once again; the blower will then work in normal mode.

NOTE: The blower speed can be increased—or decreased—during delay-off mode without starting another 10-minute cycle.

### B. ON BLOWER/SPEED CONTROL BUTTON:

Press this button to turn on the blower at the last selected speed. To change the blower speed, press the button again until the desired speed is obtained. Press and hold this button for 2 seconds to decrease the speed level down by one increment. Possible decreases are then: 4 to 3; 3 to 2; 2 to 1 and 1 to OFF.

NOTES: 1. Each time you press the speed control button, the speed changes by increments of 1 (e.g.: speed 1 to speed 2, to speed 3, and then speed 4). From the fourth speed, the speed goes down to level 1.

2. The last speed used is kept in memory so that when the unit is turned on, it will return to the last setting except the fourth, the next time the blower will be turned on, it will return to speed 3.

### HEAT SENTRY™

The hood is equipped with a protective device that activates when excessive heat is detected inside the hood. This device takes control of the blower and deactivates speed 4 for a 10-minute period and sets it on speed 3. During the Heat Sentry activation, only speed 3 can be used; the speed 4 button will flash while the speed 3 button will light up.

### ⚠ WARNING

**The HEAT SENTRY can start the blower during a range top fire or other excessive heat situations even if the hood is turned off. In this case, it is impossible to turn the blower OFF with blower button. If you must stop the blower, do it from the main electrical panel.**

### C. OFF BLOWER/FILTER MAINTENANCE BUTTON:

Press this button to turn off the blower. Pressing this button also cancels the delay-off function (if activated).

NOTE: After 25 hours of operation, the 4 blower speed lights will flash 30 seconds to indicate the filters need to be cleaned in order to maintain efficient hood operation. Pressing the OFF button will reset the code to indicate that maintenance has been completed.

### D. OFF LIGHTING:

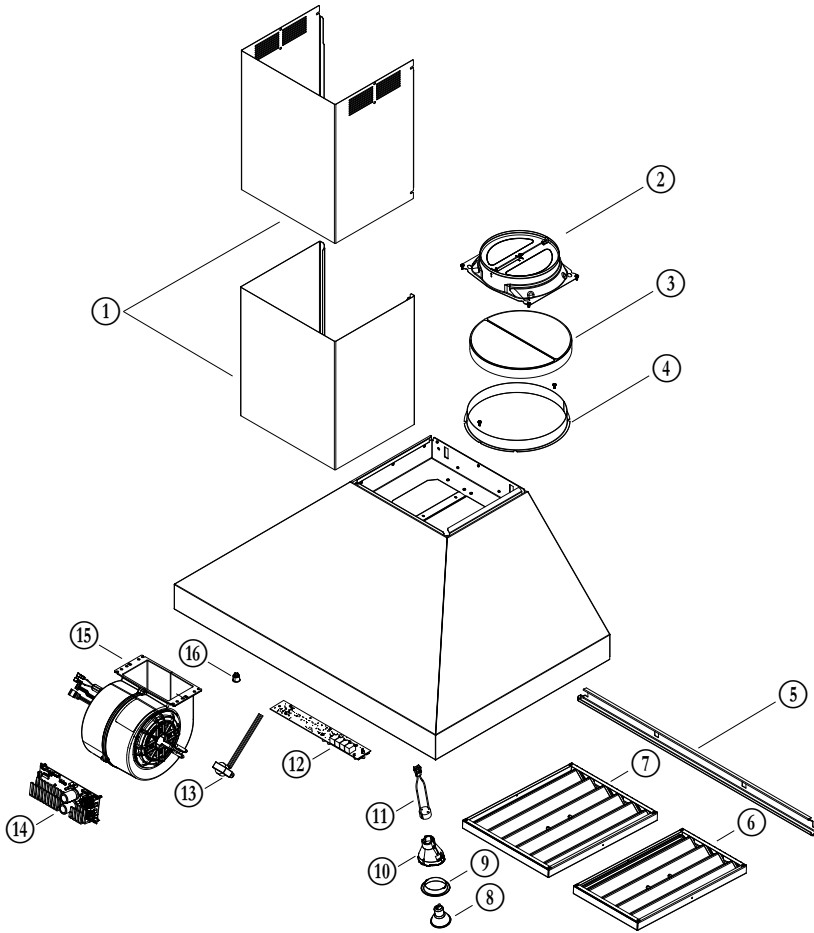
Press this button to turn lights off.

### E. ON LIGHT BUTTON:

Press this button to turn on the LED lamps. The light intensity changes by increments of 1 (e.g.: Press once for low setting, once again for medium, again for high). From the higher setting, press once to go back to the lower setting.

NOTE: The last light setting used is kept in memory. The next time the LED lamps are turned on, the last setting will be used.

# 19. SERVICE PARTS



**REPLACEMENT PARTS AND REPAIRS**

In order to ensure your unit remains in good working condition, you must use BEST genuine replacement parts only. BEST genuine replacement parts are specially designed for each unit and are manufactured to comply with all the applicable certification standards and maintain a high standard of safety. Any third party replacement part used may cause serious damage and drastically reduce the performance level of your unit, which will result in premature failing. BEST recommends to contact a certified service depot for all replacement parts and repairs.

KEY NO.	PART NO.	DESCRIPTION	QTY. (HOOD MODEL)		
			WPP1366SS	WPP13612SS	WPP14812SS
1	S1111342	UPPER AND LOWER FLUE	1	1	1
2	SV08543	8" ADAPTER/DAMPER	1		
3	SV08542	10" DAMPER		1	1
4	SV08541	10" ADAPTER		1	1
5	S1111830	GREASE RAIL 36"	1	1	
	S1111831	GREASE RAIL 48"			1
6	S1110640	HYBRID BAFFLE FILTER (8.84" x 15")	1	1	5
7	S1110641	HYBRID BAFFLE FILTER (11.84" x 15")	2	2	
8	S1110531	LED BULB GU10 BASE	2	2	4
9	SV09434	STAINLESS STEEL LIGHT TRIM	2	2	2
10	SV05917	SOCKET GU10	2	2	2
11	SV09435	SOCKET HOLDER GU10	2	2	2
12	SV20814	BLOWER ELECTRONIC CONTROL	1	1	1
13	SV09022	TRANSFORMER 120 VAC 9 VOLT DC	1	1	1
14	SV21416	SINGLE MOTOR ELECTRONIC DRIVE	1		
	SV20818	DUAL MOTOR ELECTRONIC DRIVE		1	1
15	S97018985	BLOWER 600 CFM	1	2	2
16	S1111298	CALIBRATION BUTTON	1	1	1
*	S1111897	OVERCURRENT PROTECTION HARNESS	1	1	1
*	SV21418	HIGH VOLTAGE SINGLE BLOWER HARNESS	1		
*	SV20824	HIGH VOLTAGE DUAL BLOWER HARNESS		1	1
*	S1111341	PARTS BAG AND BRACKETS	1	1	1

\* NOT SHOWN.

## 20. WARRANTY

### FIVE-YEAR LIMITED WARRANTY FOR BEST® PRODUCTS

**Warranty Period and Exclusions:** Broan-NuTone, LLC (the “Company”) warrants to the consumer purchaser of its product (“you”) that the product (the “Product”) will be free from material defects in the materials or its workmanship for a period of five (5) years from the date of original purchase (or such longer period as may be required by applicable law) or a period of two (2) years from the date of service for any labor provided on the Product.

The limited warranty period for any replacement parts provided by the Company and for any Products repaired or replaced under this limited warranty shall be the remainder of the original warranty period (or such longer period as may be required by applicable law).

**THIS WARRANTY DOES NOT EXTEND TO FLUORESCENT LAMP STARTERS, TUBES AND BULBS, FUSES, FILTERS, DUCTS, ROOF CAPS, WALL CAPS AND OTHER ACCESSORIES FOR DUCTING.** This warranty does not cover (a) normal maintenance and service, (b) normal wear and tear, (c) any Products or parts which have been subject to misuse, abuse, abnormal usage, negligence, accident, improper or insufficient maintenance, storage or repair (other than repair by the Company), (d) damage caused by faulty installation, or installation or use contrary to recommendations or instructions, (f) damage caused by exposure to salt air, (g) damage in transit, (h) natural wear of finish, (i) Products in commercial or nonresidential use, (j) damage caused by fire, flood or other act of God, or (k) Products with altered, defaced or removed serial numbers. This warranty covers only Products sold to consumers in North America. This warranty supersedes all prior warranties and, subject to applicable law, is not transferable from the original consumer purchaser.

**No Other Warranties:** This Limited Warranty contains the Company’s sole obligation and your sole remedy for defective Products. The foregoing warranties are exclusive and in lieu of any other warranties and conditions, express or implied. **TO THE MAXIMUM EXTENT PERMITTED BY APPLICABLE LAW, THE COMPANY DISCLAIMS AND EXCLUDES ALL OTHER EXPRESS WARRANTIES AND CONDITIONS, AND DISCLAIMS AND EXCLUDES ALL WARRANTIES AND CONDITIONS IMPLIED BY LAW, INCLUDING WITHOUT LIMITATION THOSE OF MERCHANTABILITY AND FITNESS FOR A PARTICULAR PURPOSE.** To the extent that applicable law prohibits the exclusion of implied warranties or conditions, the duration of any applicable implied warranty or condition is limited to the period specified for the express warranty above. Some jurisdictions (which may include the Province of Quebec or specific US states) do not allow limitations on how long an implied warranty lasts, so the above limitation may not apply to you. Any oral or written description of the Product is for the sole purpose of identifying it and shall not be construed as an express warranty.

Whenever possible, each provision of this Limited Warranty shall be interpreted in such manner as to be effective and valid under applicable law, but if any provision is held to be prohibited or invalid, such provision shall be ineffective only to the extent of such prohibition or invalidity, without invalidating the remainder of such provision or the other remaining provisions of the Limited Warranty.

**Remedy:** During the applicable limited warranty period, the Company will, at its option, provide replacement parts for, or repair or replace, without charge, any Product or part thereof, to the extent the Company finds it to be covered by and in breach of this limited warranty under normal use and service. The Company will ship the repaired or replaced Product or replacement parts to you at no charge. You are responsible for all costs for removal, reinstallation and shipping, insurance or other freight charges incurred in the shipment of the Product or part to the Company. If you must send the Product or part to the Company, as instructed by the Company, you must properly pack the Product or part—the Company is not responsible for damage in transit. The Company reserves the right to utilize reconditioned, refurbished, repaired or remanufactured Products or parts in the warranty repair or replacement process. Such Products and parts will be comparable in function and performance to an original Product or part and warranted for the remainder of the original warranty period (or such longer period as may be required by applicable law).

Company reserves the right, in its sole discretion, to refund the money actually paid by you for the Product. If the Product or component is no longer available, replacement may be made with a similar product of equal or greater value, at Company’s sole discretion. This is your sole and exclusive remedy for breach of this limited warranty.

**Exclusion of Damages: THE COMPANY’S OBLIGATION TO PROVIDE REPLACEMENT PARTS, OR REPAIR OR REPLACE, AT THE COMPANY’S OPTION, SHALL BE YOUR SOLE AND EXCLUSIVE REMEDY UNDER THIS LIMITED WARRANTY AND THE COMPANY’S SOLE AND EXCLUSIVE OBLIGATION. THE COMPANY SHALL NOT BE LIABLE FOR INCIDENTAL, INDIRECT, CONSEQUENTIAL OR SPECIAL DAMAGES ARISING OUT OF OR IN CONNECTION WITH THE PRODUCT, ITS USE OR PERFORMANCE.**

Some jurisdictions do not allow the exclusion or limitation of incidental or consequential damages, so the above limitation or exclusion may not apply to you. This warranty gives you specific legal rights, and you may also have other rights, which vary from jurisdiction to jurisdiction. The disclaimers, exclusions, and limitations of liability under this warranty will not apply to the extent prohibited by applicable law.

This warranty covers only replacement or repair of defective Products or parts thereof at the Company’s main facility and does not include the cost of field service travel and living expenses.

Any assistance the Company provides to or procures for you outside the terms, limitations or exclusions of this limited warranty will not constitute a waiver of such terms, limitations or exclusions, nor will such assistance extend or revive the warranty. The Company will not reimburse you for any expenses incurred by you in repairing or replacing any defective Product, except for those incurred with the Company’s prior written permission.

**How to Obtain Warranty Service:** To qualify for warranty service, you must (a) notify the Company at the address or telephone number stated below within seven (7) days of discovering the covered defect, (b) give the model number and part identification and (c) describe the nature of any defect in the Product or part. At the time of requesting warranty service, you must present evidence of the original purchase date. If you cannot provide a copy of the original written limited warranty, then the terms of the Company’s most current written limited warranty for your particular product will control.

### PRODUCT SPECIFICATIONS

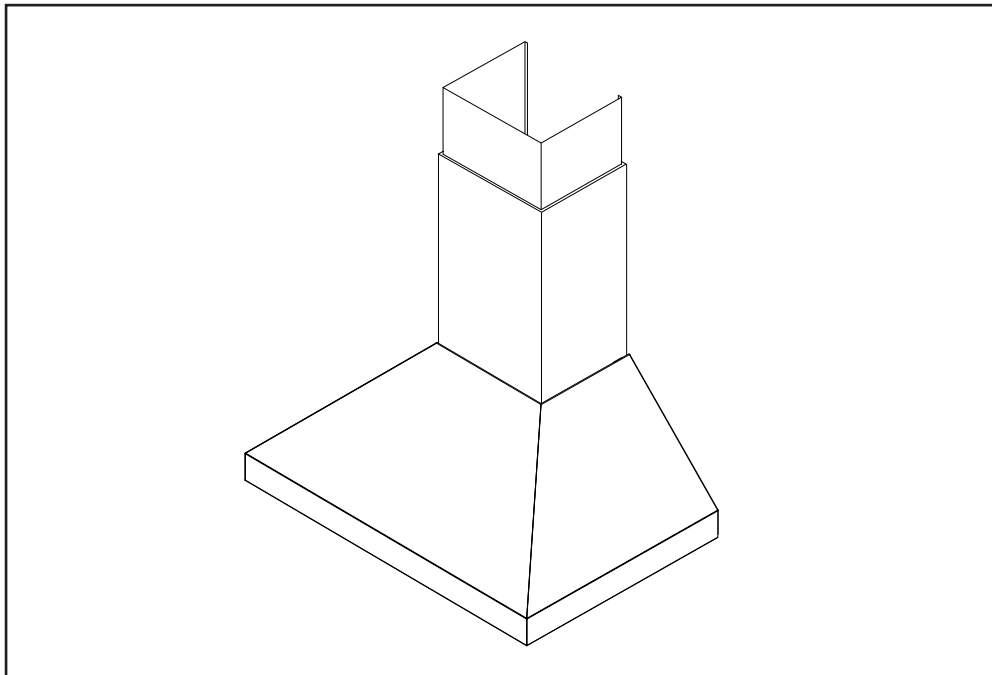
All illustrations and specifications in this catalog are based on the latest product information available at time of production. Broan-NuTone, LLC and BEST® reserves the right to make changes at any time, without notice, in prices, colors, materials, equipment, specifications and models, place of manufacture and to discontinue models or equipment.

BEST, 926 West State Street, Hartford, Wisconsin, USA 53207 BestRangeHood.com 800-558-1711

BEST, 550 Lemire Blvd., Drummondville, Québec, Canada J2C 7W9 BestRangeHoods.ca 800-567-3855



# best®



## SÉRIE WPP1

⚠ CONÇUE POUR USAGE DOMESTIQUE SEULEMENT ⚠

**LIRE ET CONSERVER CES DIRECTIVES**

INSTALLATEUR : LAISSER CE GUIDE AU PROPRIÉTAIRE.  
PROPRIÉTAIRE : DIRECTIVES D'ENTRETIEN EN PAGE 29.

BEST, 926 West State Street, Hartford, Wisconsin, USA 53027 BestRangeHoods.com 800 558-1711  
BEST, 550 boul. Lemire, Drummondville, Québec, Canada J2C 7W9 BestRangeHoods.ca 800 567-3855

Pour enregistrer votre produit en ligne ou pour obtenir plus d'information, consultez notre site BestRangeHoods.com (aux États-Unis) ou BestRangeHoods.ca (au Canada)

## **⚠️ AVERTISSEMENT**

### **AFIN DE RÉDUIRE LES RISQUES D'INCENDIE, D'ÉLECTROCUTION OU DE BLESSURES CORPORELLES, SUIVEZ LES DIRECTIVES SUIVANTES :**

1. N'utilisez cet appareil que de la façon prévue par le fabricant. Si vous avez des questions, contactez le fabricant à l'adresse ou au numéro de téléphone indiqués dans la garantie.
2. Avant de réparer ou de nettoyer l'appareil, coupez l'alimentation électrique en verrouillant le panneau de distribution afin d'éviter sa remise en marche accidentelle. Si le panneau de distribution ne peut être verrouillé, y fixer un avertissement en évidence, telle qu'une étiquette de couleur vive.
3. Les travaux d'installation et de raccordement électrique doivent être effectués par une personne qualifiée, conformément aux codes et aux standards de construction, incluant ceux concernant la protection contre les incendies.
4. Une quantité d'air adéquate est requise afin d'assurer une bonne combustion et l'évacuation des gaz par la cheminée dans le cas des équipements alimentés au gaz afin de prévenir les retours de cheminée. Conformez-vous aux instructions et aux standards de sécurité des fabricants d'équipement de chauffage, tel qu'ils sont publiés par la National Fire Protection Association (NFPA) et l'American Society for Heating, Refrigeration and Air Conditioning Engineers (ASHRAE) ainsi que les responsables des codes locaux.
5. Lorsque vous coupez ou percez un mur ou un plafond, prenez garde de ne pas endommager les fils électriques ou autre installation qui pourraient y être dissimulés.
6. Les ventilateurs avec conduits doivent toujours évacuer l'air à l'extérieur.
7. Ne pas utiliser cet appareil avec une commande de vitesse à semi-conducteur.
8. Afin de réduire les risques d'incendie, n'utilisez que des conduits de métal.
9. Cet appareil doit être mis à la terre.
10. Il est recommandé de porter des lunettes et des gants de sécurité lors de l'installation, de l'entretien ou de la réparation de cet appareil.
11. Lorsqu'une réglementation est en vigueur et qu'elle comporte des exigences d'installation et/ou de certification plus restrictives, lesdites exigences prévalent sur celles de ce document et l'installateur entend s'y conformer à ses frais.

### **AFIN DE RÉDUIRE LES RISQUES DE FEU DE CUISINIÈRE :**

- a) Ne jamais laisser les appareils de cuisson sans surveillance lorsqu'ils sont réglés à feu vif. Les débordements engendrent de la fumée et des déversements graisseux pouvant s'enflammer. Chauffez l'huile lentement, à feu doux ou moyen.
- b) Mettez toujours la hotte en marche lorsque vous cuisinez à feu vif ou que vous cuisinez des mets flambés (par ex. : crêpes Suzette, cerises jubilé, steaks au poivre flambés).
- c) Nettoyez régulièrement la (les) roue(s) du ventilateur. Ne laissez pas la graisse s'accumuler sur le ventilateur, les filtres ou les conduits d'évacuation.
- d) Utilisez le bon format de casserole. Servez-vous toujours de casseroles et d'ustensiles appropriés à la dimension de la surface chauffante.

### **AFIN D'ÉVITER TOUT RISQUE DE BLESSURES LORS D'UN FEU DE CUISINIÈRE, SUIVEZ CES DIRECTIVES\* :**

1. Éteignez les flammes avec un couvercle hermétique, une tôle à biscuits ou un plateau métallique et ensuite, éteindre le brûleur. PRENEZ SOIN D'ÉVITER les brûlures. SI LES FLAMMES NE S'ÉTEignent PAS IMMÉDIATEMENT, ÉVACUEZ LES LIEUX ET APPELEZ LES POMPIERS.
2. NE PRENEZ JAMAIS UNE CASSEROLE EN FLAMMES DANS VOS MAINS. Vous pourriez vous brûler.
3. N'UTILISEZ PAS D'EAU, incluant un linge à vaisselle ou une serviette mouillée, cela pourrait occasionner une violente explosion de vapeur.
4. N'utilisez un extincteur QUE DANS LE CAS OÙ :
  - A. Vous savez qu'il s'agit d'un extincteur de classe ABC et que vous en connaissez le fonctionnement.
  - B. Le feu est petit et limité à l'endroit où il a débuté.
  - C. Les pompiers ont été avisés.
  - D. Vous pouvez combattre l'incendie en ayant accès à une sortie de secours.

\*Tirées du Kitchen Fire Safety Tips publié par la NFPA.

## **ATTENTION**

1. Pour une utilisation à l'intérieur seulement.
2. Pour usage domestique seulement. Ne pas utiliser pour évacuer des vapeurs ou des matières dangereuses ou explosives.
3. Afin d'éviter tout dommage au moteur et de débalancer ou de rendre bruyante la roue du moteur, garder votre appareil à l'abri des poussières de gypse et de construction/rénovation, etc.
4. Le moteur de votre hotte encastrable possède une protection thermique qui éteindra automatiquement le moteur s'il devient surchauffé. Le moteur redémarrera automatiquement une fois refroidi. Si le moteur continue à arrêter et à redémarrer, faites-le vérifier.
5. La distance minimale entre le bas de votre hotte et la surface de cuisson ne doit pas être inférieure à 24 po. Un maximum de 30 po au-dessus de la surface de cuisson est recommandé pour une meilleure évacuation des odeurs de cuisson.
6. Deux installateurs sont recommandés lors de l'installation vu la grande dimension et le poids de cet appareil.
7. Afin de réduire les risques d'incendie, assurez-vous d'évacuer l'air à l'extérieur. Ne pas évacuer l'air dans des espaces restreints comme l'intérieur des murs ou plafond ou dans le grenier, faux plafond ou garage.
8. À cause de la grande capacité d'évacuation de cet appareil, il est recommandé d'ouvrir une fenêtre dans ou près de la cuisine afin de remplacer l'air évacué.
9. Afin de réduire les risques d'incendie et d'électrocution, les modèles Best de la série WPP1 doivent être installés uniquement avec leurs ventilateurs internes intégrés.
10. Cet appareil peut être installé avec le cordon électrique de hotte HCK44 homologué par UL en suivant les instructions incluses dans l'emballage du cordon électrique.
11. Veuillez consulter l'autocollant apposé à l'intérieur du produit pour plus d'information ou autres exigences.

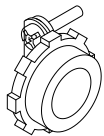
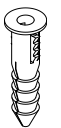
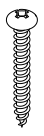
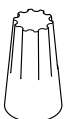


# Table des matières

1. PRÉPARER L'INSTALLATION .....	19
2. CHOISIR LE TYPE D'INSTALLATION.....	20
3. SPÉCIFICATIONS DE LA HOTTE .....	20
4. INSTALLER LE SUPPORT DE MONTAGE DE LA HOTTE .....	21
5. INSTALLER LE SUPPORT DE MONTAGE DU CONDUIT DÉCORATIF SUPÉRIEUR .....	22
6. ENLEVER LES FILTRES À CHICANES HYBRIDES.....	22
7. INSTALLER LA HOTTE.....	23
8. EFFECTUER LES BRANCHEMENTS.....	24
9. INSTALLER LE VOLET/ADAPTATEUR DE 8 PO.....	25
10. INSTALLER LE VOLET/ADAPTATEUR DE 10 PO .....	25
11. RACCORDER LE CONDUIT .....	26
12. PRÉPARER LE CONDUIT DÉCORATIF.....	26
13. INSTALLER LE CONDUIT DÉCORATIF.....	26
14. RÉINSTALLER LES FILTRES À CHICANES HYBRIDES.....	28
15. INSTRUCTIONS D'ACTIVATION DE L'OPTION CRT POUR WPP1366SS SEULEMENT .....	28
16. CALIBRER LE VENTILATEUR IQ <sup>MC</sup> .....	29
17. ENTRETIEN .....	29
18. FONCTIONNEMENT .....	30
19. PIÈCES DE REMPLACEMENT .....	31
20. GARANTIE .....	32

## 1. PRÉPARER L'INSTALLATION

S'assurer que les articles suivants soient inclus :

- Hotte
- Conduit décoratif
- Support de montage du conduit décoratif supérieur (fixé à l'intérieur de la hotte)
- Support de montage de la hotte (fixé à l'intérieur de la hotte)
- WPP1366SS : volet et adaptateur rond de 8 po
- WPP13612SS et WPP14812SS : volet et adaptateur rond de 10 po
- Guide d'installation
- Quincaillerie nécessaire incluse dans le sac de pièces (les pièces restantes sont des pièces de rechange) :

	1 x serre-fils		5 x ancrages muraux		10 x vis no. 8 x 1-1/2 po
	3 x capuchons de connexion		4 x rondelles		6 x vis no. 8 x 3/8 po

Items vendus séparément :

- AEWPP1SBN : Conduit décoratif pour plafonds jusqu'à 12 pi de hauteur
- HCK44 : Ensemble cordon électrique

## 2. CHOISIR LE TYPE D'INSTALLATION

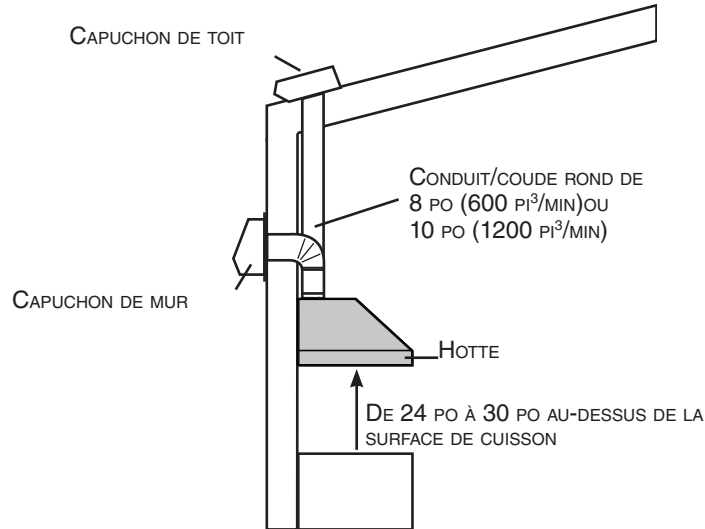
### ⚠ AVERTISSEMENT

Lors de l'installation, de l'entretien ou de la réparation de cet appareil, il est recommandé de porter des gants et des lunettes de sécurité.

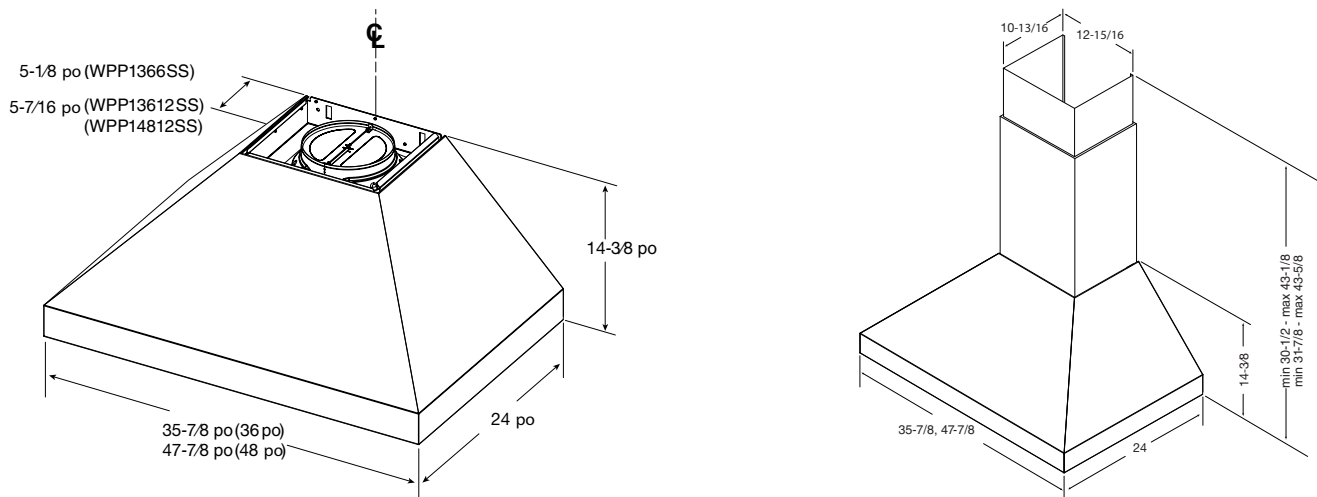
Établir où le conduit passera entre la hotte et l'extérieur. Un conduit droit et court permettra à la hotte de fonctionner plus efficacement. Se référer à l'illustration ci-dessous.

Installer un conduit de 8 po ou de 10 po, des coudes (si requis) et un capuchon de mur ou de toit. Relier le conduit en métal au capuchon, puis acheminer le conduit jusqu'à l'emplacement de la hotte. Sceller hermétiquement les raccords à l'aide de ruban adhésif de métal de 2 po de largeur.

La distance minimale entre le bas de votre hotte et la surface de cuisson ne doit pas être inférieure à 24 po. Un maximum de 30 po au-dessus de la surface de cuisson est recommandé pour une meilleure évacuation des odeurs de cuisson.



## 3. SPÉCIFICATIONS DE LA HOTTE



## 4. INSTALLER LE SUPPORT DE MONTAGE DE LA HOTTE

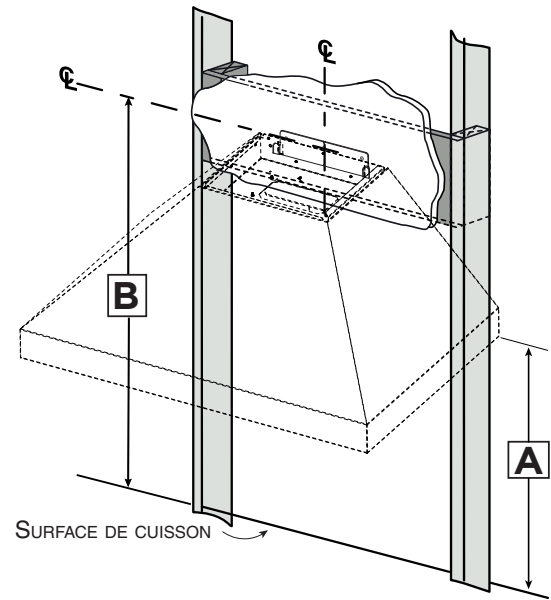
### ⚠ AVERTISSEMENT

Veillez à ne pas endommager le câblage électrique ou d'autres équipements non apparents lors de la découpe ou du perçage du mur ou du plafond.  
Lors de la construction de la charpente, toujours suivre les codes et standards de construction en vigueur.

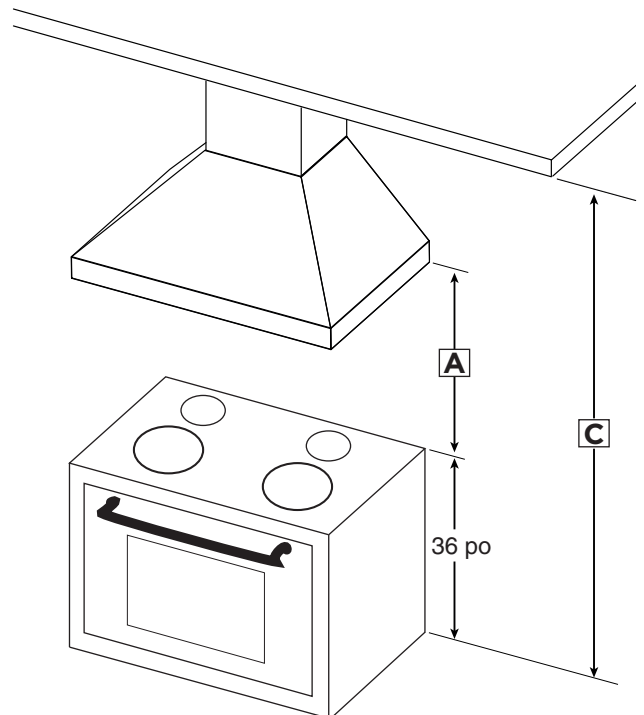
Au besoin, construire un cadre mural en bois encastré entre les montants. Un support structurel adéquat est requis pour supporter le poids de la hotte. Après la finition du mur, mesurer et marquer le centre des trous du support de montage; tracer une ligne verticale jusqu'au plafond à partir du centre de l'emplacement de la hotte.

Centrer et niveler le support de montage à l'endroit où la hotte sera installée. Le fixer au cadre mural à l'aide de 3 vis no. 8 x 1½ po.

A	B
Distance de la hotte au-dessus de la surface de cuisson (po)	Distance des trous du support de montage au-dessus de la surface de cuisson (po)
24	38-7/8
25	39-7/8
26	40-7/8
27	41-7/8
28	42-7/8
29	43-7/8
30	44-7/8



	C	A
	Hauteur du plafond	Distance de la hotte au-dessus de la surface de cuisson (po)
Conduit standard	7 pi 7 po à 8 pi 7 po	24 à 30
	8 pi 8 po	25 à 30
	8 pi 9 po	26 à 30
	8 pi 10 po	27 à 30
	8 pi 11 po	28 à 30
	9 pi	29 à 30
	9 pi 1 po	30
*Partie inférieure du conduit optionnel AEWPP1SBN + Partie supérieure du conduit standard	9 pi 2 po à 9 pi 6 po	24 à 30
Conduit optionnel AEWPP1SBN	9 pi 7 po à 11 pi 8 po	24 à 30
	11 pi 9 po	25 à 30
	11 pi 10 po	26 à 30
	11 pi 11 po	27 à 30
	12 pi	28 à 30
	12 pi 1 po	29 à 30
	12 pi 2 po	30



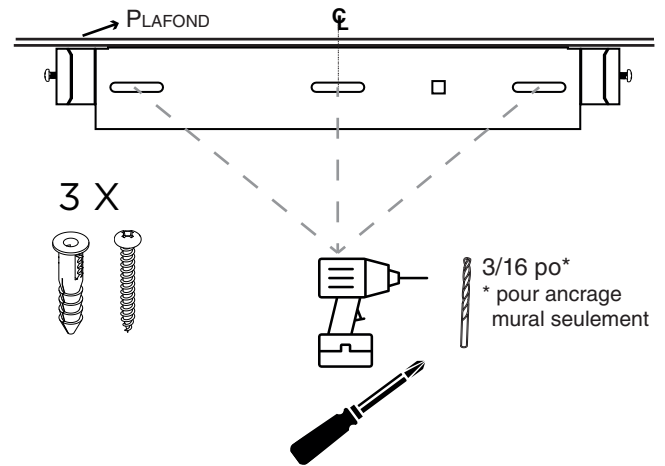
## 5. INSTALLER LE SUPPORT DE MONTAGE DU CONDUIT DÉCORATIF SUPÉRIEUR

**NOTE :** Le support de montage du conduit décoratif supérieur est fixé à l'intérieur de la hotte. Les vis pour le support de montage sont dans le sac de pièces de la hotte.

Centrer le support de montage du conduit décoratif supérieur avec la ligne précédemment tracée et le positionner au ras du plafond.

Utiliser le support de montage du conduit décoratif supérieur comme gabarit pour marquer la position des vis.

Fixer le support de montage du conduit décoratif supérieur au mur à l'aide de 3 vis no. 8 x 1½ po et d'ancrages muraux si nécessaire. S'assurer que le support de montage soit bien appuyé contre le mur.

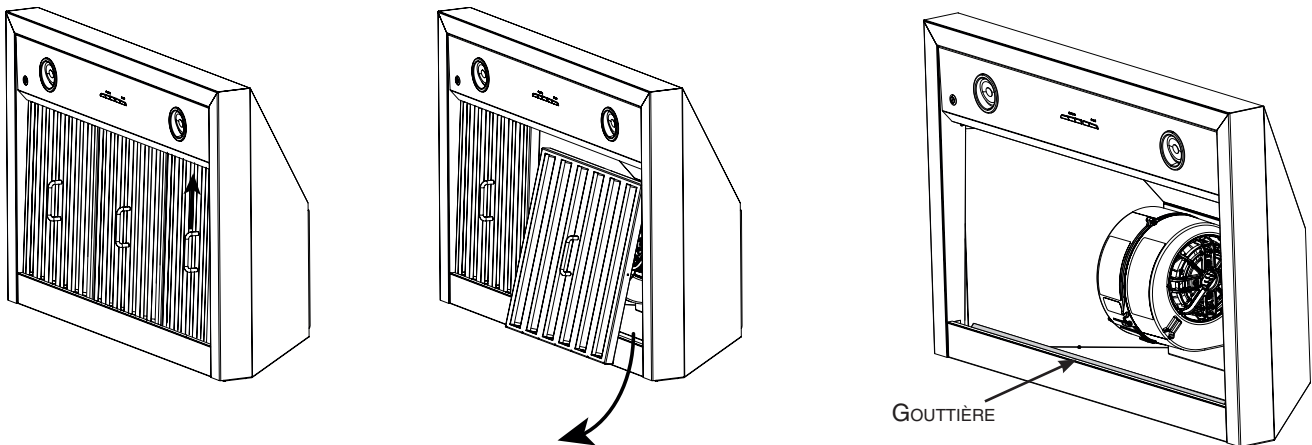


## 6. ENLEVER LES FILTRES À CHICANES HYBRIDES

Poser la hotte sur une surface protégée et enlever le ruban adhésif des filtres. Enlever les filtres de la hotte en les poussant vers l'avant de la hotte et en les faisant basculer. Enlever le sac de pièces et le support de montage de la hotte à l'intérieur de la hotte et les mettre de côté.

### ATTENTION

Laisser les rubans adhésifs (2) qui tiennent la gouttière en place jusqu'à ce que la hotte soit installée au mur.



## 7. INSTALLER LA HOTTE

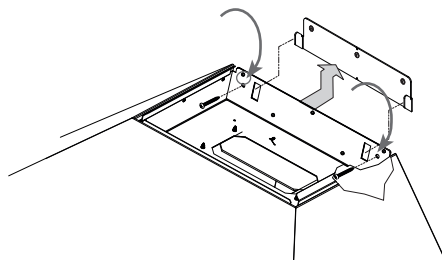
### ⚠ AVERTISSEMENT

**SOYEZ PRUDENT** lors de l'installation du conduit décoratif et de la hotte, il pourrait y avoir des arêtes vives.

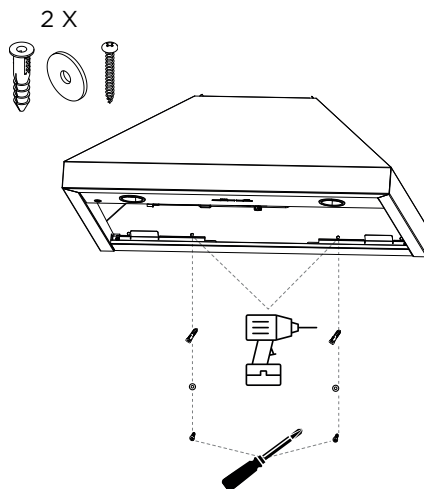
### ATTENTION

**NE PAS ENLEVER** la pellicule protectrice sur le conduit décoratif.

1. Aligner la hotte et la centrer au-dessus du support de montage de la hotte. Abaisser doucement la hotte jusqu'à ce qu'elle s'accroche au support de montage.
2. Mettre la hotte de niveau.
3. Avec la hotte accrochée au support de montage, la fixer au mur par les deux trous indiqués sur l'illustration ci-dessous à l'aide de 2 vis no. 8 x 1½ po et de rondelles.



4. En utilisant au moins 1 trou de chaque côté de la partie inférieure de la hotte, fixer la hotte dans la matière solide (montants) à l'aide de 2 vis no. 8 x 1½ po et de rondelles. Au besoin, prépercer les trous à l'aide d'une mèche de 3/16 po puis insérer des ancrages muraux avant de visser.

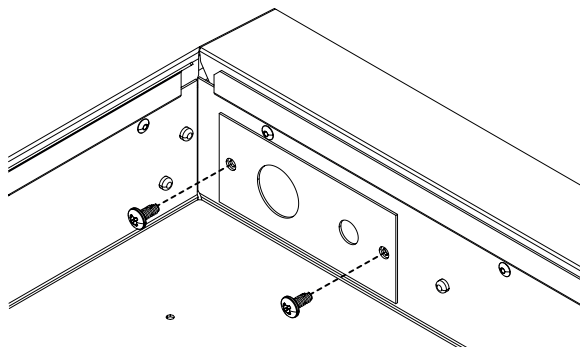


## 8. EFFECTUER LES BRANCHEMENTS

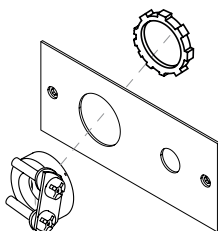
### ⚠ AVERTISSEMENT

Risque d'électrocution. Le raccordement électrique doit être effectué par du personnel qualifié conformément aux codes et aux standards en vigueur. Avant d'effectuer le branchement, coupez l'alimentation électrique au panneau de distribution et verrouillez-le pour éviter une mise en marche accidentelle.

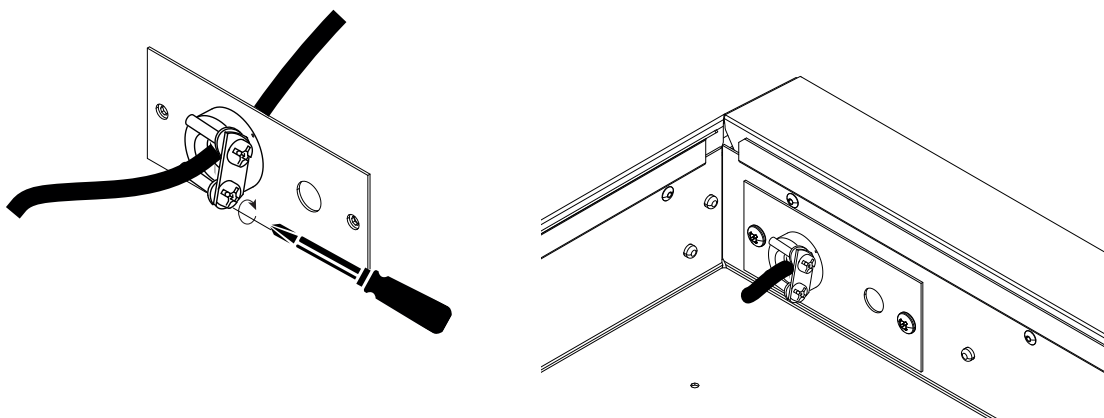
1. Enlever la plaque du serre-fils.



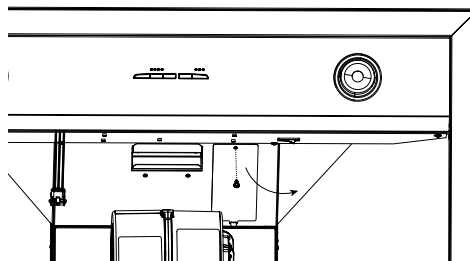
2. Installer le serre-fils.



3. Insérer le câble d'alimentation résidentiel dans le serre-fils et serrer les vis du serre-fils pour le maintenir en place.
4. Réinstaller la plaque du serre-fils.



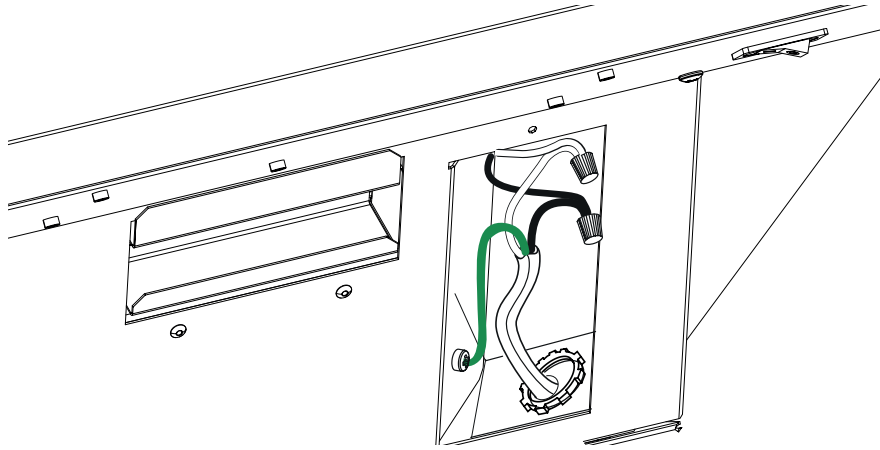
5. De l'intérieur de la hotte, enlever le couvercle du compartiment électrique.





## 8. EFFECTUER LES BRANCHEMENTS (SUITE)

6. Connecter le fil d'alimentation de la hotte au câble résidentiel à l'aide des capuchons de connexion fournis. Connecter le fil NOIR au NOIR, le fil BLANC au BLANC et le fil VERT ou dénudé sous la vis de mise à la terre VERTE située dans la hotte. NE PAS OUBLIER DE CONNECTER LA MISE À LA TERRE.
7. Réinstaller le couvercle du compartiment électrique enlevé à l'étape 5.

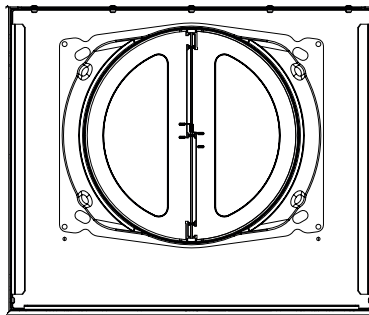


### ATTENTION

S'assurer de ne coincer aucun fil lors de la réinstallation du couvercle du compartiment électrique.

## 9. INSTALLER LE VOILET/ADAPTATEUR DE 8 PO

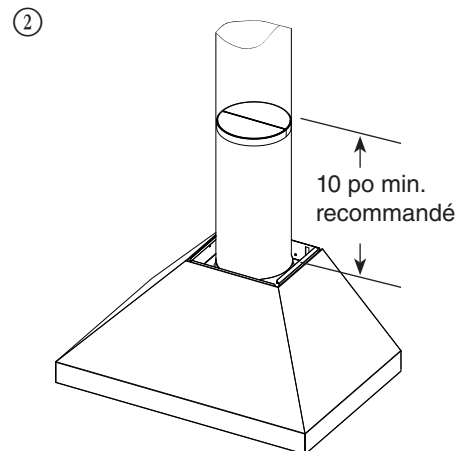
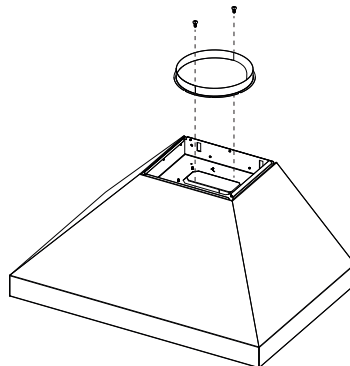
À l'aide de 4 vis no. 8 x 3/8 po du sac de pièces, assembler le volet/adaptateur sur le dessus de la hotte. Pour faire en sorte que l'ouverture des volets soit adéquate, enlever le ruban adhésif pour l'expédition si présent. Sceller hermétiquement les joints à l'aide de ruban adhésif de métal pour éliminer les fuites d'air.



## 10. INSTALLER LE VOILET/ADAPTATEUR DE 10 PO

- ① À l'aide de 2 vis no. 8 x 3/8 po du sac de pièces, assembler l'adaptateur sur le dessus de la hotte. Sceller les joints à l'aide de ruban adhésif de métal pour éliminer les fuites d'air.

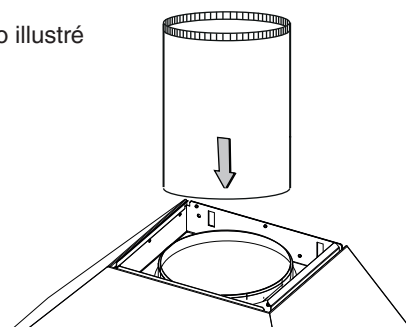
- ② Installer le volet en ligne de 10 po à l'intérieur du conduit vertical lequel sera rattaché à la hotte. Ne pas installer dans un conduit horizontal car l'ouverture et la fermeture ne pourraient se faire adéquatement. Enlever le ruban adhésif pour l'expédition si présent. Fixer le volet au conduit à l'aide de 3 vis à métaux no. 8 (non fournies). S'assurer que le volet s'ouvre et se ferme librement. Sceller les joints avec du ruban adhésif de métal pour éliminer les fuites d'air.



## 11. RACCORDER LE CONDUIT

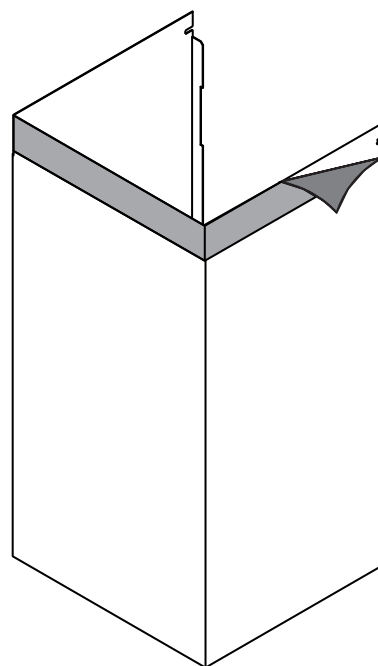
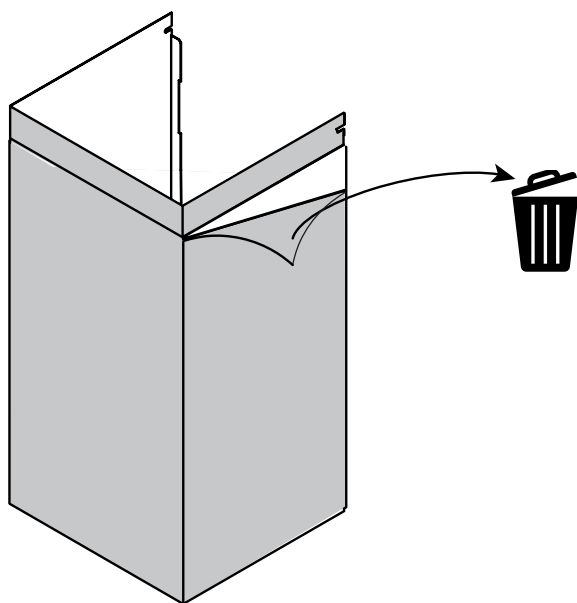
Glisser une section de conduit rond en métal de 8 po ou de 10 po par-dessus l'anneau de l'adaptateur sur le dessus de la hotte. Sceller hermétiquement le joint à l'aide de ruban adhésif de métal.

10 po illustré

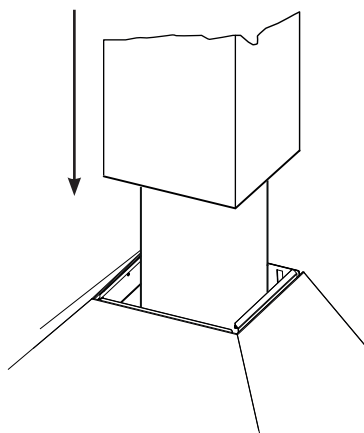


## 12. PRÉPARER LE CONDUIT DÉCORATIF

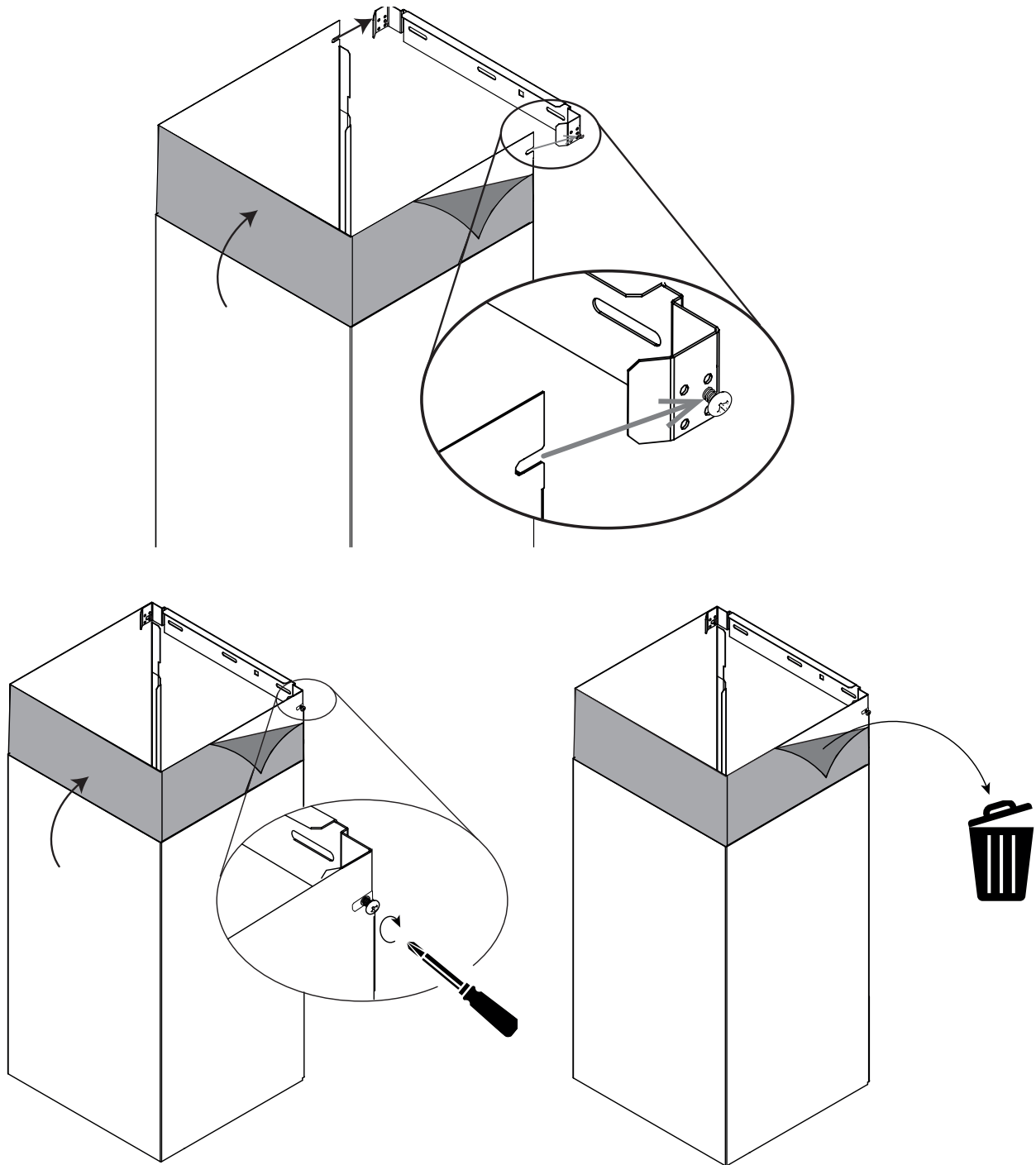
Enlever la pellicule protectrice sur la partie inférieure. Commencer à enlever la pellicule protectrice sur la partie supérieure.



## 13. INSTALLER LE CONDUIT DÉCORATIF



### 13. INSTALLER LE CONDUIT DÉCORATIF (SUITE)



## 14. RÉINSTALLER LES FILTRES À CHICANES HYBRIDES

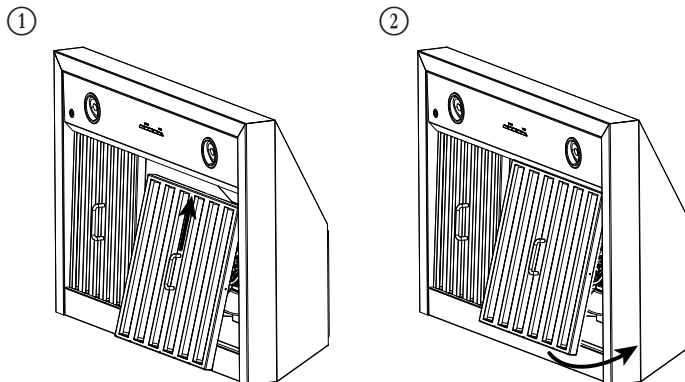
### ATTENTION

Enlever la pellicule protectrice sur les filtres à chicanes hybrides avant de les installer.

### ATTENTION

Enlever les rubans adhésifs (2) qui tiennent la gouttière en place.

- ① Insérer un côté du filtre à chicanes hybride dans la rainure à l'avant de la hotte.
- ② Pousser l'autre côté du filtre vers l'intérieur et l'insérer dans la rainure à l'arrière de la hotte.



## 15. INSTRUCTIONS D'ACTIVATION DE L'OPTION CRT POUR WPP1366SS SEULEMENT

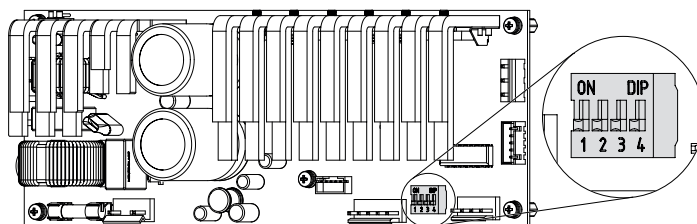
### ⚠ AVERTISSEMENT

Risque d'électrocution. Cette procédure doit être effectuée par du personnel qualifié conformément aux codes et aux standards. Avant de procéder, coupez l'alimentation électrique au panneau de distribution et verrouillez-le pour éviter une mise en marche accidentelle.

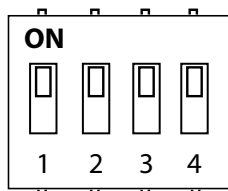
**NOTE IMPORTANTE:** L'option CRT (Code Ready Technology<sup>MC</sup>) permet de modifier le débit d'air expulsé réglé en usine (600 pi<sup>3</sup>/min) à un maximum de 400 pi<sup>3</sup>/min ou 300 pi<sup>3</sup>/min. L'activation de l'option CRT réduit le débit d'air de la hotte, ce qui permet un fonctionnement dans la limite minimale permise par les codes sur l'air d'appoint afin de respecter certaines exigences du code du bâtiment. Ne pas tenter de modifier le réglage d'origine de pi<sup>3</sup>/min du ventilateur à moins que cette modification soit requise. Ce changement modifiera la performance de votre produit.

### Comment activer l'option CRT:

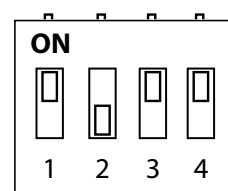
1. Repérer les commutateurs DIP sur la carte électronique.



2. À l'aide d'un tournevis de précision, régler les commutateurs DIP selon l'une des illustrations ci-contre.



RÉGLAGE  
300 pi<sup>3</sup>/min



RÉGLAGE  
400 pi<sup>3</sup>/min

3. Repérer l'autocollant, à côté de l'autocollant de spécifications du ventilateur et cocher la case correspondante.

## 16. CALIBRER LE VENTILATEUR IQ<sup>MC</sup>

Une fois la hotte installée et connectée, enclencher le processus de calibrage (notre Technologie de performance garantie s'assure que le débit d'air optimal sera émis). Avant le calibrage, s'assurer que les filtres, les ampoules et le conduit sont installés.

### CALIBRAGE

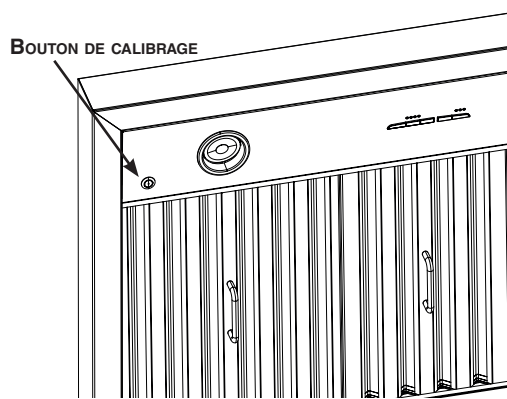
Maintenir le bouton de calibrage enfoncé pendant 3 secondes; le bouton s'allume pour une durée pouvant aller jusqu'à 13 minutes. Le ventilateur se met en marche et le calibrage commence. Une fois le calibrage terminé, il y a deux possibilités :

- Le ventilateur s'arrête et la lumière du bouton de calibrage s'allume = Calibrage réussi. Appuyer sur le bouton pour éteindre la DEL. NOTE : La DEL s'éteindra aussi si vous sélectionnez n'importe quelle vitesse de ventilateur à l'aide de la commande.
- Le ventilateur s'arrête et la lumière du bouton de calibrage clignote continuellement = Trop de restriction dans le conduit empêchant le ventilateur IQ<sup>MC</sup> d'atteindre le débit d'air nominal. Le ventilateur se règle automatiquement à l'intensité maximale.

NOTE : Les causes les plus courantes de restriction sont : un clapet coincé (clapet antirefoulement, capuchon mural, capuchon de toit), un trop grand nombre de coudes, un conduit dont la dimension est inférieure à 80 % de la sortie de la hotte, une mauvaise transition, l'utilisation de conduit flexible et/ou un conduit écrasé.

Trois options s'offrent à vous si le débit de votre hotte est soumis à une restriction trop importante :

- Accepter le débit tel quel. Appuyer sur le bouton de calibrage pour accepter le débit d'air tel quel. Le ventilateur IQ<sup>MC</sup> est maintenant configuré au meilleur rendement possible. Le témoin de calibrage clignotant s'éteint. NOTE : La DEL s'éteindra aussi si vous sélectionnez n'importe quelle vitesse de ventilateur à l'aide de la commande.
- Corriger la restriction, effacer les données du calibrage original et recommencer le calibrage.
  - Corriger la restriction dans le conduit.
  - Effacer les données de calibrage original en maintenant le bouton de calibrage enfoncé pendant 10 secondes. Le témoin clignotera alors 3 fois pour confirmer et le ventilateur retournera aux paramètres par défaut.
  - Recommencer le calibrage depuis le début.
- Effacer les données de calibrage pour rétablir les paramètres par défaut de la hotte et obtenir le rendement standard à haute pression du ventilateur en maintenant le bouton de calibrage enfoncé pendant 10 secondes. Le témoin clignotera 3 fois pour confirmer et le ventilateur retournera aux paramètres par défaut.



## 17. ENTRETIEN

### Filtres à chicanes hybrides

Les filtres à chicanes hybrides doivent être nettoyés fréquemment. Utiliser une solution d'eau chaude et de détergent. Nettoyer les filtres à chicanes plus souvent si vos habitudes de cuisson génèrent plus de graisse, comme par exemple la friture ou les aliments sautés au wok. Retirer les filtres à chicanes en les poussant vers l'avant de la hotte et en les basculant. Les filtres à chicanes sont lavables au lave-vaisselle. Laisser les filtres sécher complètement avant de les réinstaller dans la hotte.

Nettoyer les filtres fabriqués entièrement de métal au lave-vaisselle à l'aide d'un détergent sans phosphate. L'utilisation d'un détergent avec phosphate ainsi que les conditions locales de l'eau peuvent entraîner une décoloration des filtres, sans toutefois affecter leur performance. Cette décoloration n'est pas couverte par la garantie.

### Nettoyage des gouttières

La gouttière doit être nettoyée fréquemment. La retirer de la hotte encastrable (voir ci-contre) et se servir d'une solution d'eau chaude et de détergent. Comme pour les filtres à chicanes, la nettoyer plus souvent si vos habitudes de cuisson génèrent plus de graisse, comme par exemple la friture ou les aliments sautés au wok. Essuyer complètement la gouttière avant de la remettre en place.

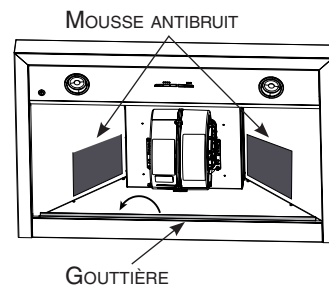
### Nettoyage de la mousse antibruit

La hotte est munie de mousse antibruit. Nettoyer délicatement la surface de la mousse à l'aide d'un chiffon doux.

### Nettoyage de la hotte

Acier inoxydable :

À faire :	À ne pas faire :
<ul style="list-style-type: none"><li>Laver régulièrement les surfaces à l'aide d'un chiffon ou linge propre imbibé d'eau tiède et de savon doux ou de détergent liquide à vaisselle.</li><li>Toujours nettoyer dans le sens du polissage.</li><li>Toujours bien rincer avec de l'eau claire (2 à 3 fois) et essuyer complètement.</li><li>Un nettoyant domestique conçu spécialement pour l'acier inoxydable peut aussi être utilisé.</li></ul>	<ul style="list-style-type: none"><li>Ne pas utiliser de laine d'acier ou d'acier inoxydable ou tout autre grattoir pour enlever la saleté tenace.</li><li>Ne pas utiliser une poudre nettoyante abrasive ou rugueuse.</li><li>Ne pas laisser la saleté s'accumuler.</li><li>Ne pas laisser la poussière de plâtre ou tout autre résidu de construction atteindre la hotte. Couvrir la hotte pour la durée des travaux afin de s'assurer qu'aucune poussière n'atteigne la hotte.</li></ul>



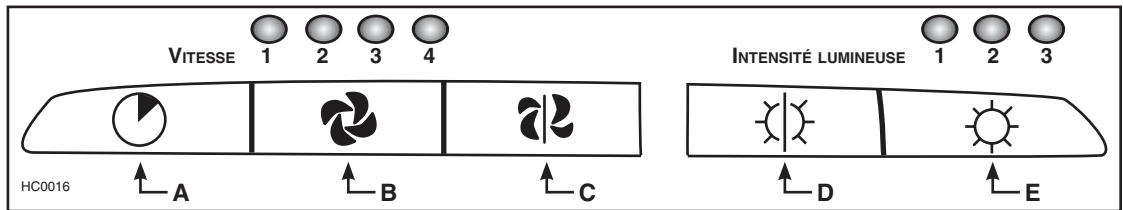
### À éviter lors du choix d'un détergent :

- Tous produits nettoyants contenant des **agents de blanchiment**; ils attaqueront l'acier inoxydable.
- Tous produits contenant du **chlorure**, du **fluorure**, de l'**iode** ou du **bromure**; ils détérioreront rapidement les surfaces.
- Tous produits combustibles utilisés pour le nettoyage : **acétone**, **alcool**, **éther**, **benzène**, etc.; ils sont grandement explosifs et ne devraient jamais être utilisés près d'une cuisinière.

## 18. FONCTIONNEMENT

Toujours mettre en marche le ventilateur avant de commencer la cuisson afin d'établir une circulation d'air dans la cuisine. Aussi, laisser le ventilateur fonctionner quelques minutes après l'arrêt de la cuisinière afin d'aérer.

- A) Bouton d'arrêt différé
- B) Bouton de mise en marche/  
Vitesse du ventilateur
- C) Bouton d'arrêt du ventilateur/  
Entretien des filtres
- D) Bouton d'arrêt d'éclairage
- E) Bouton des ampoules DEL  
(3 réglages)



### **A. BOUTON D'ARRÊT DIFFÉRÉ :**

Lorsque le ventilateur est en marche, appuyer sur ce bouton pour activer la fonction d'arrêt différé. L'indicateur lumineux de la vitesse correspondante commencera à clignoter pour indiquer que la fonction est activée. Le ventilateur continuera à fonctionner pendant 10 minutes, puis s'arrêtera automatiquement. Pour annuler la fonction d'arrêt différé, appuyer de nouveau sur ce bouton, le ventilateur fonctionnera alors en mode normal.

NOTE : Lorsque la fonction d'arrêt différé est activée, la vitesse du ventilateur peut être augmentée ou diminuée à l'intérieur du même cycle de 10 minutes.

### **B. BOUTON DE MISE EN MARCHÉ/VITESSE DU VENTILATEUR :**

Appuyer sur ce bouton pour mettre en marche le ventilateur; il démarrera à la vitesse réglée avant son dernier arrêt. Pour modifier la vitesse du ventilateur, appuyer de nouveau sur le bouton jusqu'à l'obtention de la vitesse désirée. Appuyer et maintenir ce bouton enfoncé pendant 2 secondes afin de diminuer la vitesse par incréments de 1. Les diminutions possibles sont alors : 4 à 3; 3 à 2; 2 à 1 et 1 à ARRÊT.

NOTES : 1. À chaque fois que l'on appuie sur ce bouton, la vitesse change par incréments de 1 (ex. : de la vitesse 1 à 2, à 3, puis à 4. À partir de la quatrième vitesse, le ventilateur revient à la première).

2. La dernière vitesse utilisée est gardée en mémoire. Lorsque le ventilateur est activé de nouveau, il reprend la même vitesse qu'au dernier réglage, sauf pour la 4e vitesse, où il se met en marche à la vitesse 3.

### **HEAT SENTRY<sup>MC</sup>**

La hotte est munie d'un dispositif de protection qui s'active lorsqu'une chaleur excessive est détectée à l'intérieur de la hotte. Lors de l'activation du Heat Sentry, ce dispositif prend le contrôle du ventilateur et désactive la vitesse 4 durant 10 minutes et active la vitesse 3. Lorsque le Heat Sentry est activé, seule la vitesse 3 peut être utilisée; la DEL du bouton de la vitesse 4 clignotera alors que celle de la vitesse 3 sera allumée.

### **⚠ AVERTISSEMENT**

**Lors d'un feu de cuisson ou d'une chaleur excessive, le Heat Sentry peut mettre le ventilateur en marche même s'il est arrêté. Si tel est le cas, il est impossible d'arrêter le ventilateur à l'aide du bouton de la commande. Si vous devez arrêter le fonctionnement du ventilateur, faites-le depuis le panneau de distribution principal.**

### **C. BOUTON D'ARRÊT DU VENTILATEUR/ENTRETIEN DES FILTRES :**

Appuyer sur ce bouton pour arrêter le ventilateur et annuler la fonction d'arrêt différé (si activée).

NOTE : Après 25 heures de fonctionnement, les 4 voyants lumineux des vitesses de ventilateur clignoteront pendant 30 secondes pour signifier que les filtres ont besoin d'être nettoyés afin de maintenir leur haut niveau d'efficacité. Appuyer sur le bouton d'ARRÊT pour réinitialiser le code afin d'indiquer que l'entretien a été fait.

### **D. BOUTON D'ARRÊT D'ÉCLAIRAGE :**

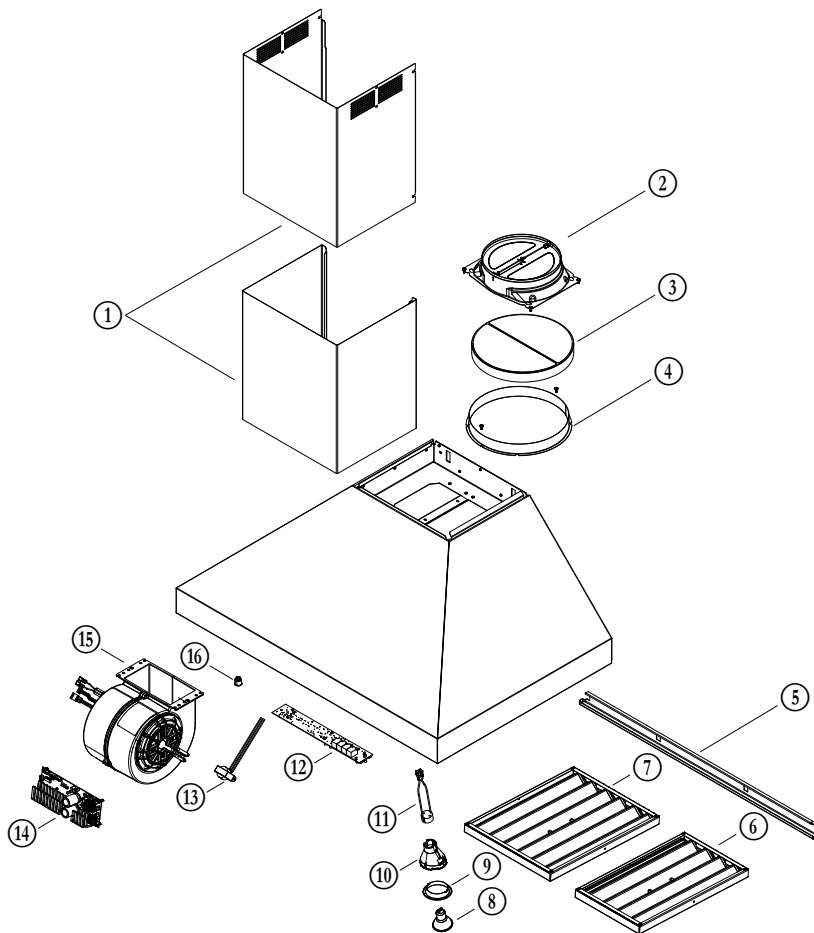
Appuyer sur ce bouton pour éteindre les lumières.

### **E. BOUTON DES AMPOULES DEL :**

Appuyer sur ce bouton pour allumer les ampoules DEL. L'intensité d'éclairage change par incréments de 1 (ex. : appuyer une fois pour la basse intensité, une autre fois pour la moyenne, une fois encore pour la haute). Depuis la plus haute intensité, appuyer de nouveau pour retourner à la plus basse.

NOTE : La dernière intensité lumineuse utilisée est gardée en mémoire. La prochaine fois que l'éclairage sera utilisé, les ampoules DEL éclaireront à cette intensité.

## 19. PIÈCES DE REMPLACEMENT



### PIÈCES DE REMPLACEMENT ET SERVICE

Pour assurer le bon fonctionnement de votre appareil, vous devez toujours utiliser des pièces d'origine provenant de BEST. Les pièces d'origine de BEST sont spécialement conçues pour satisfaire toutes les normes de certification de sécurité applicables. Leur remplacement par des pièces ne provenant pas de BEST pourrait ne pas assurer la sécurité de l'appareil, entraîner une réduction sévère des performances ainsi qu'un risque de défaillance prématurée. BEST recommande également de toujours vous référer à une entreprise de services compétente et reconnue par BEST pour vos pièces de remplacement et appels de service.

N° RÉF.	N° PIÈCE	DESCRIPTION	Qté (MODÈLE DE LA HOTTE)		
			WPP1366SS	WPP13612SS	WPP14812SS
1	S1111342	CONDUIT DÉCORATIF SUPÉRIEUR ET INFÉRIEUR	1	1	1
2	SV08543	ADAPTATEUR/VOLET 8 PO	1		
3	SV08542	VOLET 10 PO		1	1
4	SV08541	ADAPTATEUR 10 PO		1	1
5	S1111830	GOUÏTIÈRE 36 PO	1	1	
	S1111831	GOUÏTIÈRE 48 PO			1
6	S1110640	FILTRE À CHICANES HYBRIDE (8,84 PO X 15 PO)	1	1	5
7	S1110641	FILTRE À CHICANES HYBRIDE (11,84 PO X 15 PO)	2	2	
8	S1110531	AMPOULE DEL À CULOT GU10	2	2	4
9	SV09434	BORDURE ÉCLAIRAGE ACIER INOXYDABLE	2	2	2
10	SV05917	DOUILLE GU10	2	2	2
11	SV09435	SUPPORT DOUILLE GU10	2	2	2
12	SV20814	COMMANDE ÉLECTRONIQUE DU VENTILATEUR	1	1	1
13	SV09022	TRANSFORMATEUR 120 VCA 9 VOLT CC	1	1	1
14	SV21416	COMMANDE ÉLECTRONIQUE DU MOTEUR UNIQUE	1		
	SV20818	COMMANDE ÉLECTRONIQUE DU MOTEUR DOUBLE		1	1
15	S97018985	VENTILATEUR 600 l/min	1	2	2
16	S1111298	BOUTON DE CALIBRAGE	1	1	1
*	S1111897	HARNAIS PROTECTION SURCHARGE	1	1	1
*	SV21418	HARNAIS MOTEUR UNIQUE HAUTE TENSION	1		
*	SV20824	HARNAIS MOTEUR DOUBLE HAUTE TENSION		1	1
*	S1111341	SAC DE PIÈCES ET SUPPORTS	1	1	1

\* NON ILLUSTRÉ.

## 20. GARANTIE

### GARANTIE LIMITÉE DE 5 ANS SUR LES PRODUITS BEST<sup>MD</sup>

**Période de garantie et exclusions :** Broan-NuTone LLC (l'« entreprise ») garantit au consommateur qui achète son produit (« vous ») que le produit (le « produit ») restera exempt de défauts importants dans ses composants ou sa fabrication pendant une période de cinq (5) ans à compter de la date de l'achat initial (ou pour une période plus longue si la loi en vigueur l'exige) ou une période de deux (2) ans à compter de la date de la prestation d'un service sur le produit.

La garantie limitée des pièces de rechange fournies par l'entreprise et de tout produit réparé ou remplacé en vertu de cette garantie est valide pour la durée non écoulée de la période de garantie initiale (ou d'une période plus longue si la loi en vigueur l'exige).

**LA PRÉSENTE GARANTIE NE S'APPLIQUE PAS AUX DÉMARREURS DE LAMPE FLUORESCENTE, NI AUX TUBES, AMPOULES, FUSIBLES, FILTRES, CONDUITS, CAPUCHONS DE TOIT, CAPUCHONS MURAUX ET AUX AUTRES ACCESSOIRES POUR CONDUITS.** Cette garantie exclut : a) l'entretien normal, b) l'usure normale, c) les produits et les pièces ayant fait l'objet d'une utilisation mauvaise, abusive ou anormale, d'une négligence, d'un accident, d'un entretien ou d'un entreposage, d'une réparation ou d'un entretien inadéquats ou insuffisants (sauf s'il s'agit d'une réparation effectuée par l'entreprise), d) les dommages attribuables à une installation incorrecte ou à une installation ou utilisation contraires aux recommandations ou aux instructions, e) les dommages attribuables au contact de l'air salin, f) les dommages survenus durant le transport, g) l'usure normale de la finition, h) les produits d'utilisation commerciale ou non résidentielle, i) les dommages causés par le feu, une inondation ou une autre catastrophe naturelle, ou j) les produits dont le numéro de série a été altéré ou effacé. Cette garantie ne s'applique qu'aux produits vendus aux consommateurs en Amérique du Nord. La présente garantie remplace les garanties précédentes et, sous réserve de la loi applicable, n'est pas transférable par l'acheteur initial.

**Aucune autre garantie :** La présente garantie limitée énonce l'unique obligation de l'entreprise et votre seul recours pour les produits défectueux. Les garanties qui précèdent sont exclusives et l'emportent sur les autres garanties et modalités, expresse ou implicites. **DANS TOUTE LA MESURE PERMISE PAR LA LOI EN VIGUEUR, L'ENTREPRISE SE DÉGAGE DES AUTRES GARANTIES ET MODALITÉS EXPRESSES ET DES GARANTIES ET MODALITÉS IMPLICITES EN VERTU DE LA LOI, Y COMPRIS, SANS S'Y LIMITER, LES GARANTIES DE QUALITÉ MARCHANDE ET D'ADAPTATION À UN USAGE PARTICULIER.** Dans la mesure où la loi applicable interdit l'exclusion des garanties ou modalités implicites, la durée d'une garantie ou modalité implicite applicable est restreinte à la période indiquée pour la garantie expresse ci-dessus. Certains territoires de compétence (ce qui peut inclure la province de Québec ou certains États des États-Unis) interdisent les limites à la durée des garanties implicites; la restriction susmentionnée pourrait donc ne pas s'appliquer à vous. Les descriptions orales ou écrites du produit ont pour seul objet d'indiquer les produits et ne sauraient être interprétées dans le sens d'une garantie expresse. Autant que possible, chaque disposition de cette garantie limitée est interprétée de sorte qu'elle soit valide sous le régime de la loi applicable, mais si l'une de ses dispositions est déclarée interdite ou nulle, cette disposition n'est nulle que dans la mesure de cette interdiction ou nullité, et les autres éléments de cette disposition ainsi que les autres dispositions de la garantie limitée restent valides.

**Recours :** Durant la période de la garantie limitée applicable, l'entreprise fournira, à son choix, des pièces de rechange ou des services de réparation ou de remplacement sans frais pour tout produit ou toute pièce de produit, dans la mesure où l'entreprise constate que la présente garantie limitée s'applique à ce produit ou à cette pièce dans le contexte d'une utilisation et d'un entretien normaux. L'entreprise vous expédiera le produit réparé, son remplacement ou les pièces de rechange sans frais. Vous assumez la totalité des coûts de mise hors service, de réinstallation, d'expédition et d'assurance et les autres frais de transport associés à la livraison du produit ou de la pièce à l'entreprise. Si vous devez envoyer le produit ou la pièce à l'entreprise, conformément à ses instructions, vous devez emballer adéquatement le produit ou la pièce; l'entreprise n'est pas responsable des dommages survenus durant le transport. L'entreprise se réserve le droit d'utiliser des produits ou pièces remis à neuf, réparés ou remanufacturés aux fins de réparation ou de remplacement dans le cadre de la garantie. Ces produits et ces pièces seront comparables quant à la fonction et aux performances avec les produits ou pièces d'origine, et protégés par une garantie pour la durée restante de la période de garantie initiale (ou d'une période plus longue si la loi en vigueur l'exige). L'entreprise se réserve le droit, à son entière discrétion, de rembourser le montant que vous avez effectivement payé pour le produit. Si le produit ou la pièce n'est plus disponible, elle peut le ou la remplacer par un produit similaire de valeur égale ou supérieure, à son entière discrétion. Ceci constitue votre seul recours advenant un non-respect de la présente garantie limitée.

**Exclusion des dommages :** **L'OBLIGATION DE L'ENTREPRISE DE FOURNIR DES PIÈCES DE RECHANGE, OU DE RÉPARER OU REMPLACER LE PRODUIT, À SON CHOIX, EST VOTRE SEUL RECOURS EN VERTU DE LA PRÉSENTE GARANTIE LIMITÉE ET L'UNIQUE OBLIGATION DE L'ENTREPRISE. CETTE DERNIÈRE N'EST PAS RESPONSABLE DES DOMMAGES INDIRECTS OU SPÉCIAUX DÉCOULANT DIRECTEMENT OU INDIRECTEMENT DU PRODUIT, DE SON UTILISATION OU DE SES PERFORMANCES.**

Certains territoires de compétence interdisent l'exclusion ou la restriction des dommages indirects; la restriction qui précède pourrait donc ne pas s'appliquer à vous. Cette garantie vous donne des droits spécifiques, et vous pourriez aussi avoir d'autres droits, qui varient selon le territoire de compétence. Les renonciations, exclusions et restrictions de responsabilité aux termes de cette garantie ne s'appliquent pas dans la mesure où la loi en vigueur interdit une telle application.

La présente garantie ne s'applique qu'au remplacement ou à la réparation de produits ou pièces de produit défectueux effectué au principal lieu d'affaires de l'entreprise, et exclut les frais de déplacement et de subsistance liés aux services fournis sur le terrain.

Tout soutien que l'entreprise vous fournit ou vous procure et qui n'est pas visé par les dispositions, limites ou exclusions de la présente garantie limitée ne constitue pas une renonciation à ces dispositions, limites ou exclusions, et la fourniture de ce soutien ne prolonge ni ne rétablit la garantie.

L'entreprise ne vous remboursera pas vos dépenses faites pour la réparation ou le remplacement d'un produit défectueux, sauf celles pour lesquelles vous avez obtenu le consentement écrit de l'entreprise.

**Comment obtenir le service de garantie :** Pour avoir droit au service de garantie, vous devez : a) aviser l'entreprise à l'adresse ou au numéro de téléphone indiqué ci-dessous dans les sept (7) jours qui suivent la date où vous avez eu connaissance de la défectuosité couverte, b) indiquer le numéro de modèle et les données d'identification de la pièce, et c) décrire la nature de toute défectuosité du produit ou de la pièce. Au moment où vous demandez le service de garantie, vous devez présenter une preuve de la date de l'achat initial. Si vous ne pouvez pas produire de copie de l'original de la garantie limitée, alors ce seront les modalités de la dernière version de la garantie limitée de votre produit de l'entreprise qui s'appliqueront.

### SPÉCIFICATIONS DU PRODUIT

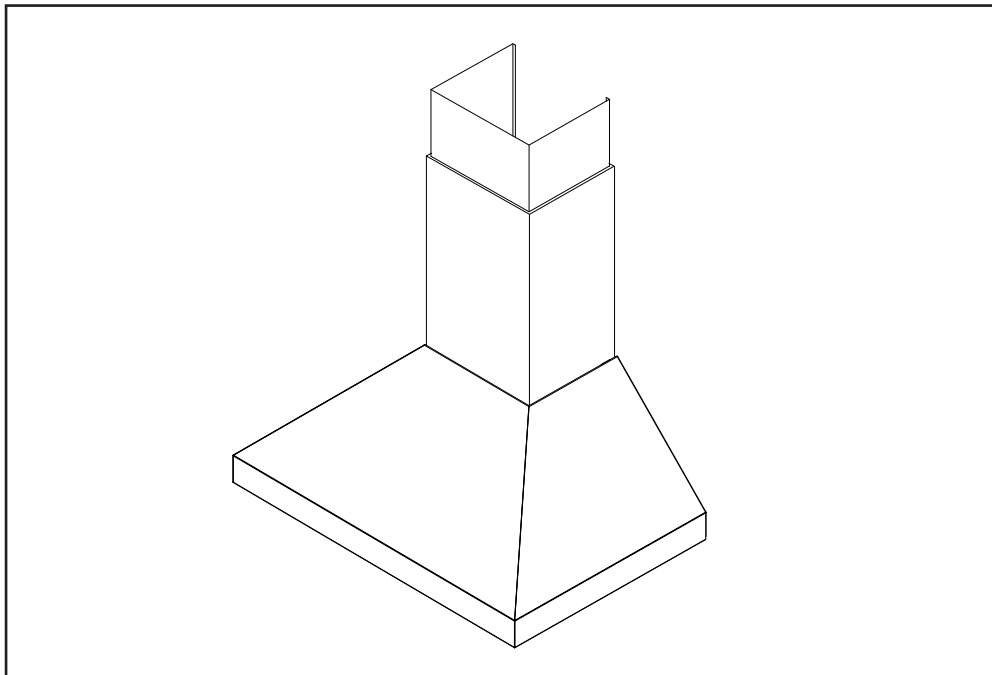
Toutes les illustrations et les spécifications des produits contenues dans ce catalogue sont établies d'après les plus récentes données disponibles en date de la production. Broan-NuTone LLC et BEST<sup>MD</sup> se réservent le droit de modifier les prix, les couleurs, les composants, les produits, les spécifications et les modèles, de déplacer le lieu de fabrication et de cesser la production d'un modèle ou d'un produit, et ce, en tout temps et sans préavis.

BEST, 926 West State Street, Hartford, Wisconsin, USA 53207 BestRangeHood.com 800 558-1711

BEST, 550 Boul. Lemire, Drummondville, Québec, Canada J2C 7W9 BestRangeHoods.ca 800 567-3855



# best®



## SERIE WPP1

⚠ EXCLUSIVAMENTE PARA COCINAS DOMÉSTICAS ⚠

**LEA ESTAS INSTRUCCIONES Y GUÁRDELAS**

INSTALADOR: ENTREGUE ESTE MANUAL AL PROPIETARIO DE LA CASA.  
PROPIETARIO: INFORMACIÓN SOBRE UTILIZACIÓN Y CUIDADO EN  
LA PÁGINA 45.

BEST, 926 West State Street, Hartford, Wisconsin, USA 53027 BestRangeHoods.com 800-558-1711  
BEST, 550 Lemire Blvd., Drummondville, Québec, Canada J2C 7W9 BestRangeHoods.ca 800-567-3855

Para registrar su producto en línea o para obtener más información, visitar nuestro sitio BestRangeHoods.com  
(en EE.UU.) o BestRangeHoods.ca (en Canadá).

## **ADVERTENCIA**

### **PARA REDUCIR EL RIESGO DE INCENDIO, DESCARGA ELÉCTRICA O LESIÓN CORPORAL, RESPETE LAS SIGUIENTES INDICACIONES:**

1. Utilice esta unidad únicamente de la forma en que indica el fabricante. Si tiene cualquier pregunta, póngase en contacto con el fabricante en la dirección o el teléfono que aparecen en la garantía.
2. Antes de reparar o limpiar el aparato, apáguelo en el tablero de servicio y bloquee los medios de desconexión para impedir que la corriente se conecte accidentalmente. Cuando no se pueda bloquear los medios de desconexión, coloque un dispositivo de advertencia visible (como una etiqueta) en el tablero de servicio.
3. La instalación y la conexión eléctrica deben ser realizadas por personal calificado de acuerdo con todos los códigos y normas aplicables, incluso los relativos a la construcción ignífuga.
4. Para lograr una combustión adecuada y una extracción correcta de los gases a través de la salida del humo (chimenea) del equipo quemador de combustible — evitando así el contratiro — es necesario disponer de aire suficiente. Siga las directrices del fabricante del equipo de material térmico y las normas de seguridad, como las que publica la NFPA (asociación de protección contra los incendios) y la ASHRAE (sociedad estadounidense de técnicos de calefacción, refrigeración y aire acondicionado) así como los códigos de los organismos responsables locales.
5. Al cortar o perforar la pared o el techo, procure no dañar el cableado eléctrico ni otras instalaciones de servicios públicos.
6. Los ventiladores entubados siempre deben tener salida al exterior.
7. No utilice este aparato con un dispositivo de control de velocidad con semiconductores.
8. Para reducir el riesgo de incendio, utilice sólo tuberías metálicas.
9. Este aparato debe conectarse a tierra.
10. Se aconseja llevar lentes y guantes de seguridad para instalar, reparar o limpiar el aparato.
11. Cuando una reglamentación local esta en vigor y conlleva exigencias de instalación y/o de certificación más estrictas, susodichas exigencias prevalecen sobre aquellas en este documento y el instalador acepta someterse a estas exigencias a sus gastos.

### **PARA REDUCIR EL RIESGO DE QUE ARDA LA GRASA EN LA PARTE SUPERIOR DE LA COCINA:**

- a) No deje nunca recipientes de cocina a fuego vivo sin vigilancia. Los desbordamientos producen humo y derrames grasientos que pueden inflamarse. Caliente el aceite despacio, a fuego lento o mediano.
- b) Ponga en marcha siempre la campana extractora al cocinar a temperaturas elevadas o al cocinar alimentos flameados (crepas Suzette, cerezas jubilee, res con pimienta flambeada).
- c) Limpie los ventiladores con frecuencia. No deje que la grasa se acumule en el ventilador, ni en los filtros o en los conductos de evacuación.
- d) Utilice cacerolas de tamaño apropiado. Emplee siempre un recipiente adecuado para el tamaño de la placa.

### **PARA REDUCIR EL RIESGO DE LESIONES CORPORALES EN EL CASO DE QUE ARDA LA GRASA EN LA PARTE SUPERIOR DE LA COCINA, SIGA ESTAS INDICACIONES\*:**

1. SOFOQUE LAS LLAMAS con una tapa ajustada, una hoja o bandeja metálica para hornear galletas, y apague luego el quemador. **TENGA CUIDADO PARA EVITAR QUEMADURAS. SI LAS LLAMAS NO SE APAGAN INMEDIATAMENTE, EVACUE EL LUGAR Y LLAME A LOS BOMBEROS.**
2. **NO SUJETE NUNCA UNA SARTÉN EN LLAMAS** ya que podría quemarse.
3. **NO USE AGUA**, ni trapos húmedos. Podría causar una violenta explosión de vapor.
4. Utilice un extintor **SOLAMENTE** si:
  - A. Tiene un extintor de tipo ABC y sabe usarlo.
  - B. El fuego es pequeño y está circunscrito a la zona donde empezó.
  - C. Ya ha llamado a los bomberos.
  - D. Puede tratar de apagar el fuego si dispone siempre de una salida detrás de usted.

\* Fuente: "Kitchen Fire Safety Tips" publicado por la NFPA.

## **PRECAUCIÓN**

1. Sólo para una utilización en el interior.
2. Sólo para ventilación general. No debe utilizarse para extraer materiales o vapores peligrosos o explosivos.
3. Para evitar daños en el cojinete del motor y que la hélice haga ruido o se desequilibre, mantenga la unidad de alimentación lejos de los vaporizadores de pirca, del polvo de la construcción, etc.
4. El motor de la campana tiene un dispositivo contra sobrecargas térmicas que apaga el motor automáticamente si éste se sobrecalienta. El motor volverá a ponerse en marcha cuando se enfríe. Si el motor sigue apagándose, haga examinar la campana.
5. Para que la campana capte bien las impurezas que se desprenden al cocinar, la distancia mínima entre el grupo de alimentación y la superficie de la cocina no debe ser inferior a 24 pulgadas ni superior a 30 pulgadas.
6. Dado el peso y el tamaño de esta unidad, se aconseja que la instalen dos personas.
7. Para reducir los riesgos de incendio y extraer el aire debidamente, el aire debe evacuarse fuera. No extraiga el aire a espacios situados entre las paredes, en el techo o en el desván, falso techo o garaje.
8. Dada la gran capacidad extractora de esta campana, debería asegurarse de que en la casa entra suficiente aire para sustituir el aire extraído. Abra una ventana en la cocina o cerca de ella.
9. Para reducir el riesgo de incendio y de choque eléctrico, los modelos de la serie WPP1 de Best deben instalarse únicamente con sus propios ventiladores incorporados.
10. Se puede instalar el juego de cordones HCK44 para campana de cocina certificado por UL con este aparato siguiendo las instrucciones incluidas en el paquete del juego de cordones.
11. Para mayor información y conocer los requisitos, lea la etiqueta con las especificaciones en el producto.

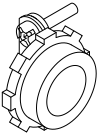
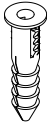




# Índice

1. PREPARE LA INSTALACIÓN .....	35
2. SELECCIONE EL TIPO DE INSTALACIÓN.....	36
3. ESPECIFICACIONES DE LA CAMPANA.....	36
4. INSTALE EL SOPORTE DE MONTAJE DE LA CAMPANA .....	37
5. INSTALE EL SOPORTE DE MONTAJE DE LA PARTE SUPERIOR DE LA CHIMENEA .....	38
6. quite los filtros híbridos .....	38
7. INSTALE LA CAMPANA .....	39
8. CONEXIÓN ELÉCTRICA .....	40
9. INSTALE LA COMPUERTA/ADAPTADOR DE 8 PULG. ....	41
10. INSTALE LA COMPUERTA/ADAPTADOR DE 10 PULG.....	41
11. CONEXIÓN DEL CONDUCTO.....	42
12. PREPARE LA CHIMENEA DECORATIVA.....	42
13. INSTALE LA CHIMENEA DECORATIVA.....	42
14. VUELVA A INSTALAR LOS FILTROS HÍBRIDOS .....	44
15. INSTRUCCIONES DE ACTIVACIÓN DE LA OPCIÓN CRT PARA WPP1366SS SOLAMENTE .....	44
16. CALIBRACIÓN DEL VENTILADOR IQ™ .....	45
17. USO Y CUIDADO .....	45
18. FUNCIONAMIENTO .....	46
19. PIEZAS .....	47
20. GARANTÍA .....	48

## 1. PREPARE LA INSTALACIÓN

Asegúrese de que los elementos siguientes se incluyen:

- Campana
- Chimenea decorativa
- Soporte de montaje de la parte superior de la chimenea decorativa (sujetado en la campana)
- Soporte de montaje de la campana (sujetado en la campana)
- WPP1366SS: compuerta y adaptador redondo de 8 pulg.
- WPP13612SS y WPP14812SS: compuerta y adaptador redondo de 10 pulg.
- Manual de instalación
- Herramientas necesarias incluidas en la bolsa de piezas (las piezas restantes son piezas de repuesto):

	1 x abrazadera		5 x tacos de pared		10 x tornillos no. 8 x 1-1/2 pulg.
	3 x conectadores		4 x arandelas		6 x tornillos no. 8 x 3/8 pulg.

Piezas vendidas por separado:

- AEWPP1SBN: Prolongación opcional para la chimenea para techos de hasta 12 pies
- HCK44: Juego de cordones

## 2. SELECCIONE EL TIPO DE INSTALACIÓN

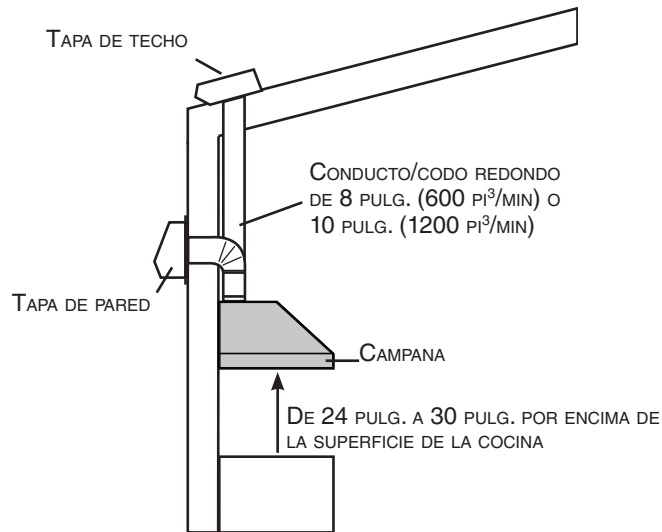
### ⚠ ADVERTENCIA

Para instalar, reparar o limpiar la campana, se aconseja llevar lentes y guantes de seguridad.

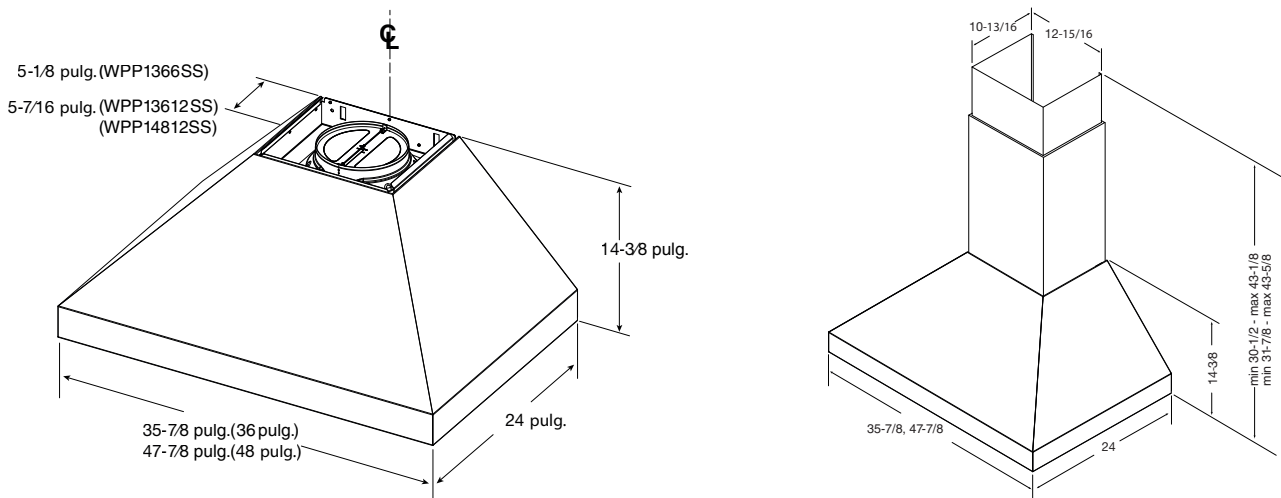
Planifique dónde y cómo instalará los conductos. Un conducto recto y corto permitirá que la campana funcione más eficientemente. Ver la ilustración abajo.

Instale un conducto de 8 pulg. o de 10 pulg., codos (si es necesario) y una tapa de pared o de techo. Conecte el conducto metálico a la tapa y trabaje hacia atrás, hacia la ubicación de la campana. Use cinta adhesiva metálica de 2 pulg. para sellar las juntas entre los tramos de los conductos.

La distancia mínima entre la superficie de la cocina y la campana no debe ser inferior a 24 pulg. Se recomienda un máximo de 30 pulg. por encima de la superficie de la cocina para capturar mejor las impurezas que se producen al cocinar.



## 3. ESPECIFICACIONES DE LA CAMPANA



## 4. INSTALE EL SOPORTE DE MONTAJE DE LA CAMPANA

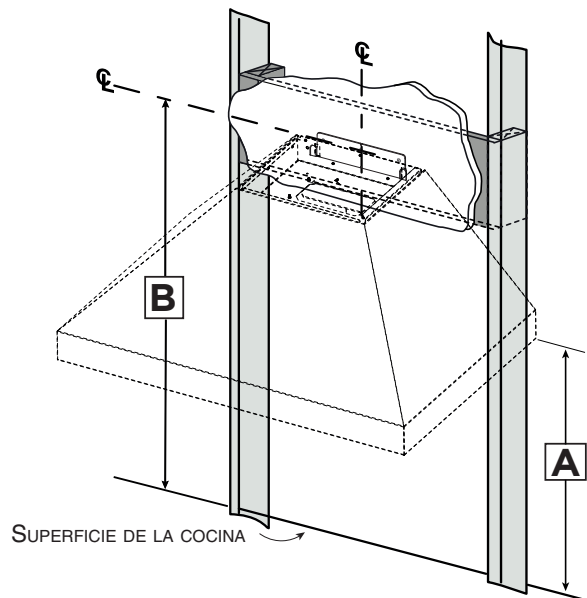
### ⚠ ADVERTENCIA

Al cortar o taladrar en la pared o en el techo, procure no dañar el cableado eléctrico ni otras instalaciones ocultas. Siga siempre todos los códigos y normas de construcción aplicables al construir la estructura mural.

Si es necesario, construya una estructura mural de madera que sea pareja con la superficie de los montantes de la pared. Un soporte estructural adecuado es necesario para apoyar el peso de la campana.

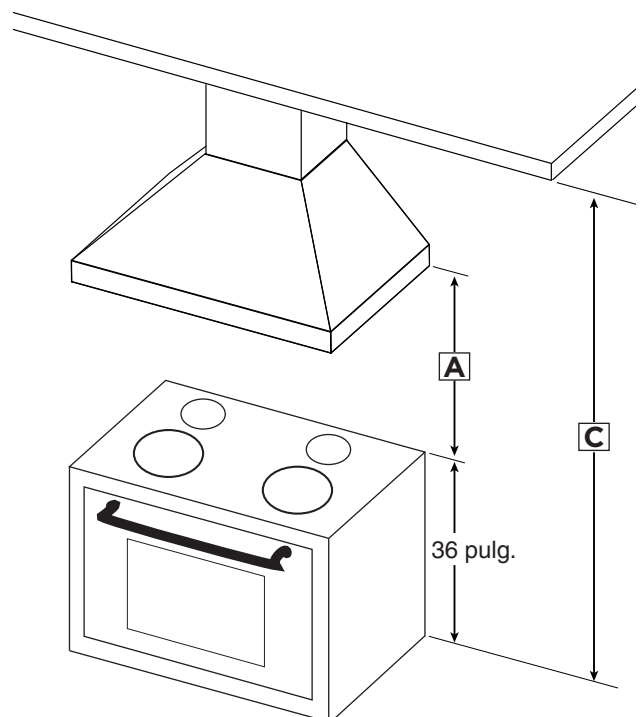
Una vez terminada la superficie de la pared, medir y marcar el centro de los orificios en el soporte de montaje; trazar una línea vertical hasta el techo empezando desde el centro de la ubicación de la campana.

Centre y ponga a nivel el soporte de montaje en el lugar donde se instalará la campana. Sujételo a la estructura mural usando 3 tornillos no. 8 x 1½ pulg.



A	B
Distancia de la campana por encima de la superficie de la cocina (pulg.)	Distancia de los orificios del soporte de montaje por encima de la superficie de la cocina (pulg.)
24	38-7/8
25	39-7/8
26	40-7/8
27	41-7/8
28	42-7/8
29	43-7/8
30	44-7/8

	C	A
Chimenea estándar	Altura del techo	Distancia de la campana por encima de la superficie de la cocina (pulg.)
	7 pies 7 pulg. a 8 pies 7 pulg.	24 a 30
	8 pies 8 pulg.	25 a 30
	8 pies 9 pulg.	26 a 30
	8 pies 10 pulg.	27 a 30
	8 pies 11 pulg.	28 a 30
	9 pies	29 a 30
	9 pies 1 pulg.	30
*Parte inferior de la chimenea opcional AEWPP1SBN + Parte superior de la chimenea estándar	9 pies 2 pulg. a 9 pies 6 pulg.	24 a 30
Chimenea opcional AEWPP1SBN	9 pies 7 pulg. a 11 pies 8 pulg.	24 a 30
	11 pies 9 pulg.	25 a 30
	11 pies 10 pulg.	26 a 30
	11 pies 11 pulg.	27 a 30
	12 pies	28 a 30
	12 pies 1 pulg. a 12 pies 2 pulg.	29 a 30



## 5. INSTALE EL SOPORTE DE MONTAJE DE LA PARTE SUPERIOR DE LA CHIMENEA

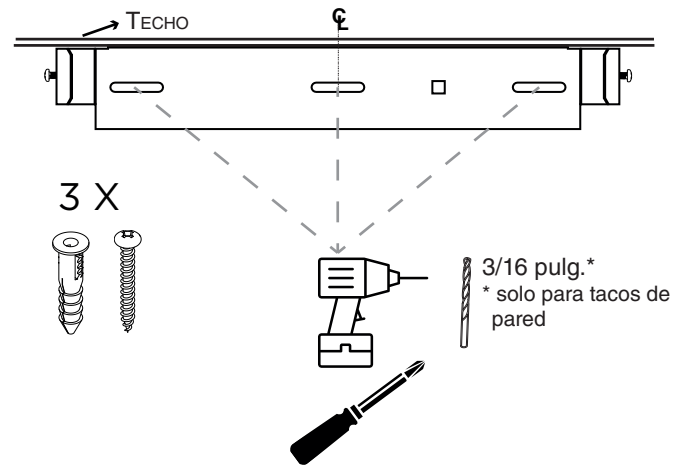
**NOTA:** El soporte de montaje de la parte superior de la chimenea está sujetado en la campana. Los tornillos para el soporte de montaje están en la bolsa de piezas de la campana.

Centre el soporte de montaje de la parte superior de la chimenea con la línea central trazada anteriormente y colóquelo a ras con el techo.

Use el soporte de montaje de la parte superior de la chimenea como plantilla para marcar la posición de los tornillos.

Sujete el soporte de montaje de la parte superior de la chimenea con 3 tornillos no. 8 x 1½ pulg. y tacos de pared de ser necesario.

Asegúrese de que el soporte de montaje quede bien apretado contra la pared.

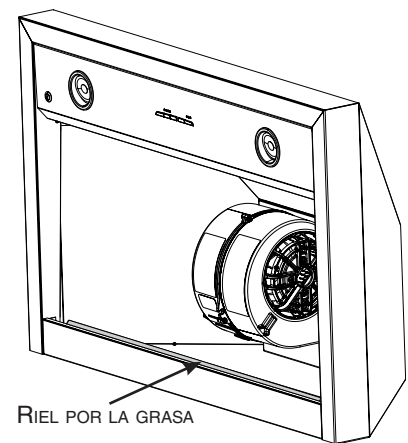
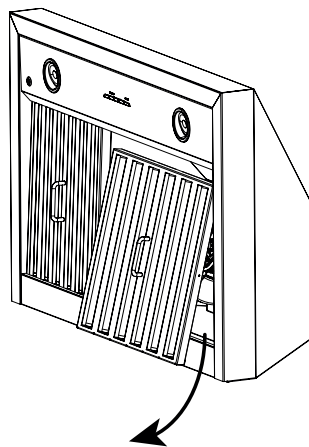
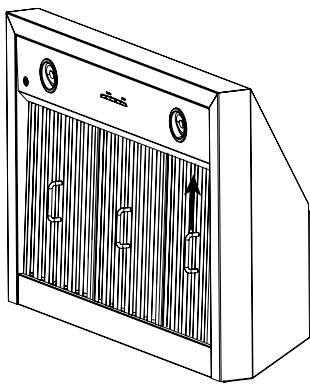


## 6. QUITE LOS FILTROS HÍBRIDOS

Deje la parte posterior de la campana en una superficie protegida y quite la cinta adhesiva de los filtros. Quite los filtros de la campana empujándolos hacia delante de la campana y inclinándolos. Quite la bolsa de piezas y el soporte de montaje de la campana en la campana y póngalos a un lado.

### PRECAUCIÓN

Guardar las cintas (2) que mantienen el riel por la grasa hasta que la campana sea instalada en la pared.



## 7. INSTALE LA CAMPANA

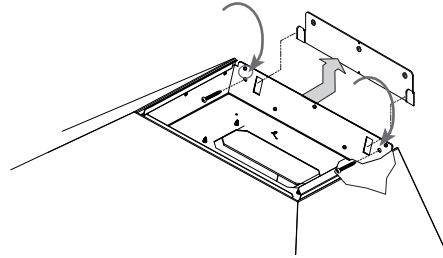
### ADVERTENCIA

**TENGA CUIDADO** al instalar la chimenea decorativa y la campana, pueden tener bordes cortantes.

### PRECAUCIÓN

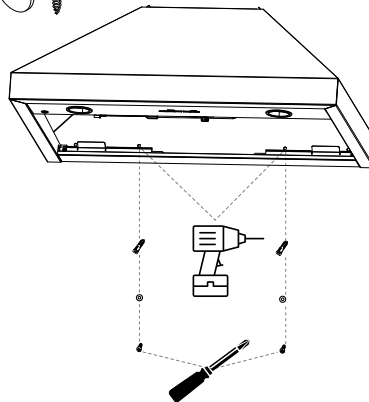
**NO quite** la película protectora en la chimenea decorativa.

1. Alinee la campana y céntrala por encima del soporte de montaje de la campana. Baje lentamente la campana hasta que encaje en el soporte de montaje.
2. Ponga a nivel la campana.
3. Con la campana colgada al soporte de montaje, sujétela a la pared por los dos orificios ilustrados abajo usando 2 tornillos no. 8 x 1½ pulg. y arandelas.



4. Usando al menos 1 orificio de cada lado de la parte inferior de la campana, sujete la campana en la materia sólida (montantes) usando 2 tornillos no. 8 x 1½ pulg. y arandelas. De ser necesario, preperfore los orificios usando una broca de 3/16 pulg. y inserte tacos de pared antes de atornillar.

2 X

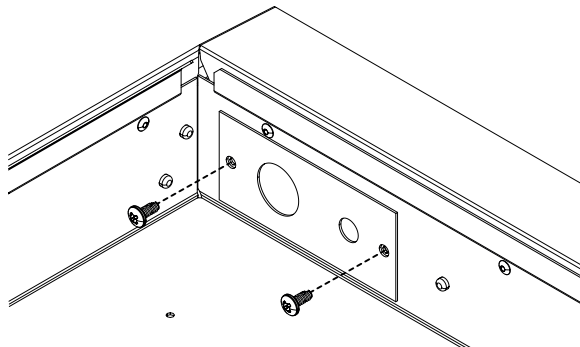


## 8. CONEXIÓN ELÉCTRICA

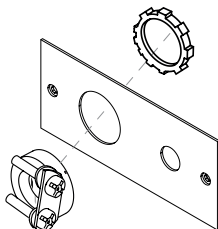
### ⚠ ADVERTENCIA

Riesgo de descarga eléctrica. El cableado eléctrico se debe realizar por personal cualificado de acuerdo con todos los códigos y normas. Antes de iniciar el cableado, desconecte la corriente eléctrica en la entrada de servicio y bloquee éste para evitar que se ponga en marcha accidentalmente.

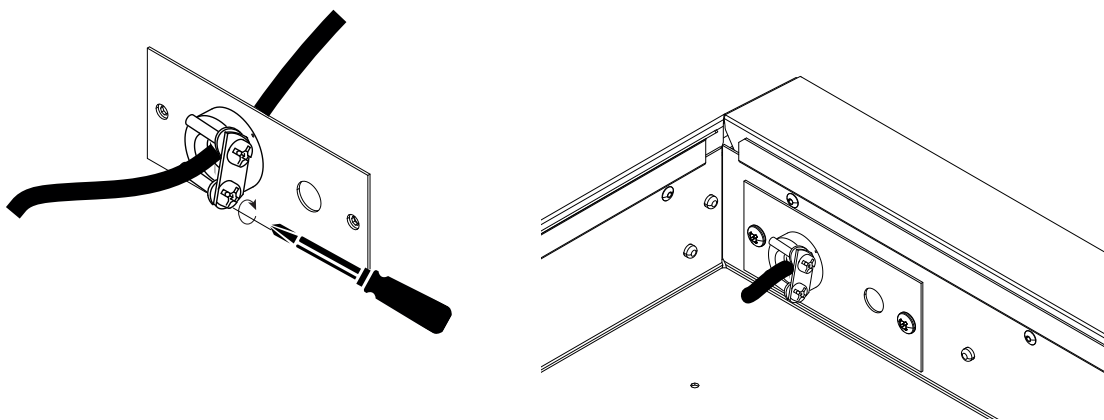
1. Quite la placa de la abrazadera.



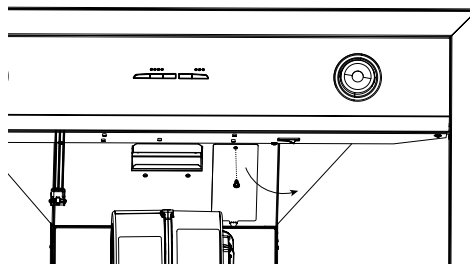
2. Instale la abrazadera.



3. Pase el cable de alimentación de la casa en la abrazadera y aprete los tornillos de la abrazadera para mantenerlo en su lugar.
4. Reintegre la placa de la abrazadera.



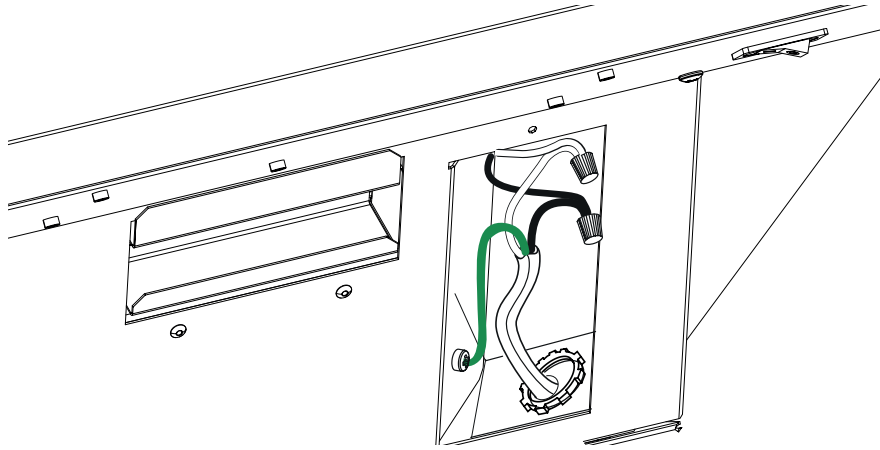
5. Del interior de la campana, quite la tapa del compartimiento eléctrico.





## 8. CONEXIÓN ELÉCTRICA (CONTINUACIÓN)

6. Conecte el cableado de la campana al cable de alimentación de la casa usando los conectores suministrados. Conecte el hilo NEGRO con el NEGRO, el hilo BLANCO con el BLANCO y el hilo VERDE o desnudo debajo del tornillo de puesta a tierra VERDE situado en la campana. **NO OLVIDES CONECTAR LA PUESTA A TIERRA.**
7. Reintegre la tapa del compartimento eléctrico retirado al paso 5.

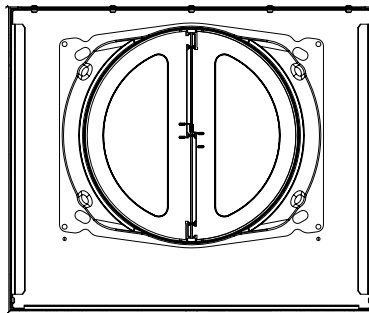


### PRECAUCIÓN

Asegúrese de no atascar ningún hilo al volver a colocar la tapa del compartimento eléctrico.

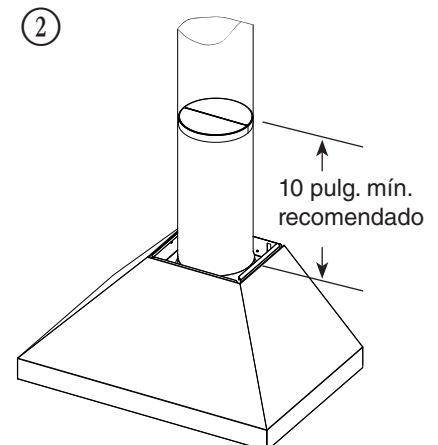
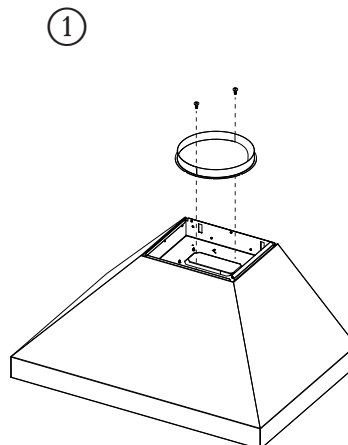
## 9. INSTALE LA COMPUERTA/ADAPTADOR DE 8 PULG.

Usando 4 tornillos no. 8 x 3/8 pulg. de la bolsa de piezas, instale la compuerta/adaptador en la parte superior de la campana. Para que la apertura de las compuertas sea adecuada, quite la cinta adhesiva para el envío (si está presente). Sellar las juntas usando cinta adhesiva metálica para eliminar las fugas de aire.



## 10. INSTALE LA COMPUERTA/ADAPTADOR DE 10 PULG.

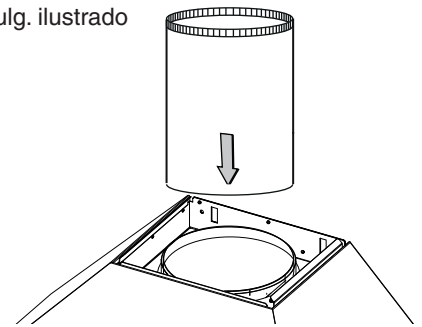
- ① Usando 2 tornillos no. 8 x 3/8 pulg. de la bolsa de piezas, instale el adaptador en la parte superior de la campana. Sellar las juntas usando cinta adhesiva metálica para eliminar las fugas de aire.
- ② Instale la compuerta de 10 pulg. dentro del conducto vertical que irá unido a la campana. No lo instale en un conducto horizontal (no abrirá ni cerrará debidamente). Quite la cinta adhesiva (de haberla) que se utiliza para el transporte. Sujete la compuerta al conducto usando 3 tornillos no. 8 para hojas metálicas (no provistos). Verifique que la compuerta abre y cierra sin dificultad. Sellar las juntas usando cinta adhesiva metálica para eliminar las fugas de aire.



## 11. CONEXIÓN DEL CONDUCTO

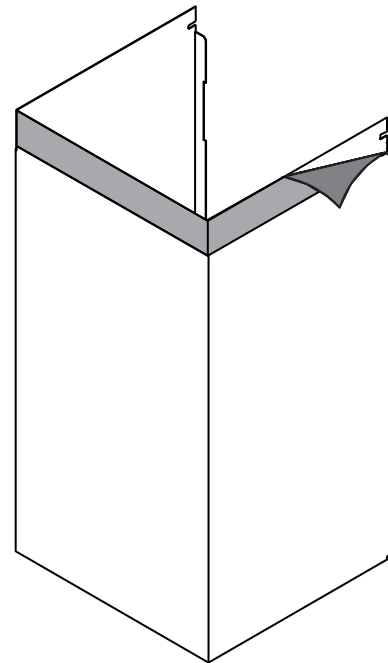
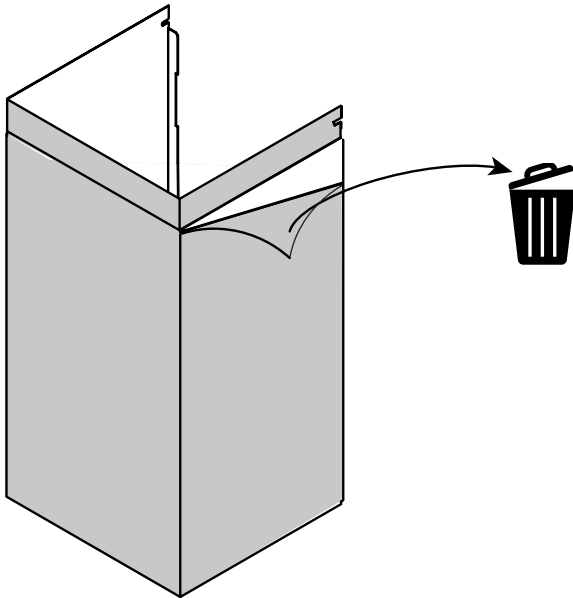
Ponga una sección de conducto redondo de metal de 8 pulg. o de 10 pulg. sobre el anillo del adaptador en la parte superior de la campana. Sellar la junta usando cinta adhesiva metálica.

10 pulg. ilustrado

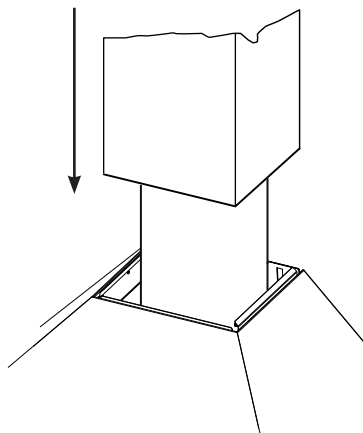


## 12. PREPARE LA CHIMENEA DECORATIVA

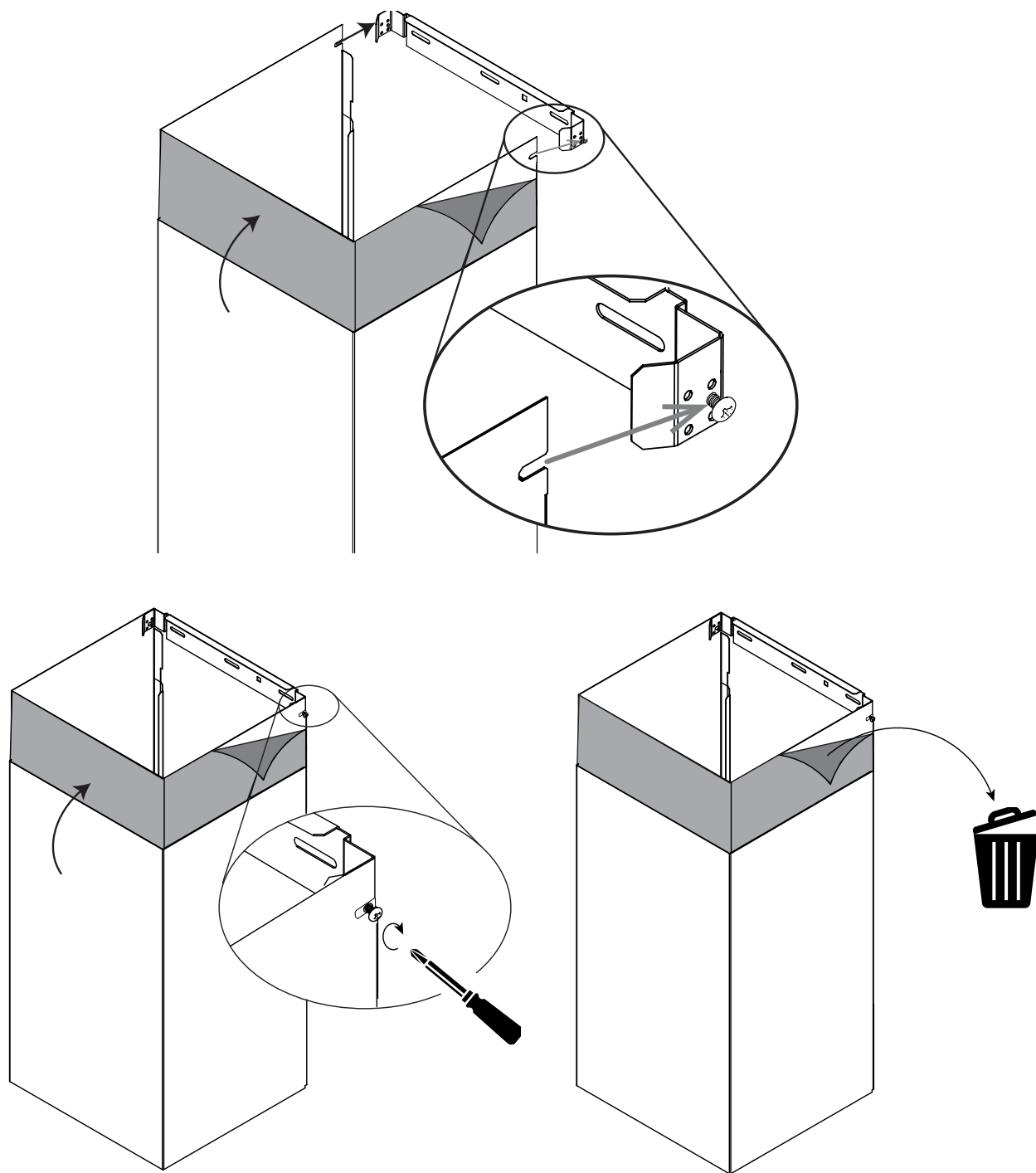
Quite la película protectora en la parte inferior. Comience a quitar la película protectora en la parte superior.



## 13. INSTALE LA CHIMENEA DECORATIVA



### 13. INSTALE LA CHIMENEA DECORATIVA (CONTINUACIÓN)



## 14. VUELVA A INSTALAR LOS FILTROS HÍBRIDOS

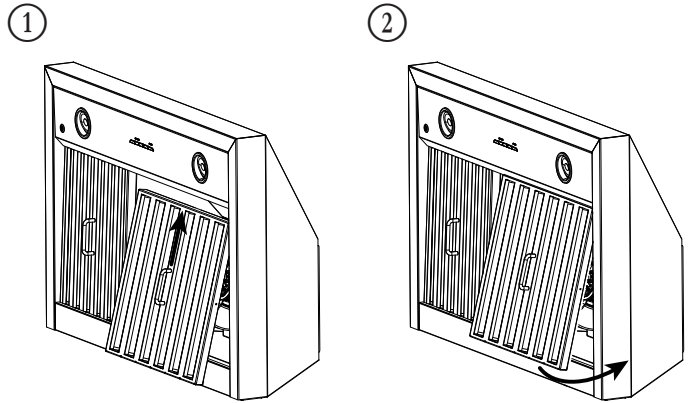
### PRECAUCIÓN

Quite la película protectora en los filtros híbridos antes de instalarlos.

### PRECAUCIÓN

Quitar las cintas (2) que mantienen el riel por la grasa.

- ① Inserte un lado del filtro híbrido en la ranura de la parte delantera de la campana.
- ② Empuje el otro lado del filtro hacia dentro e insertarlo en la ranura de la parte trasera de la campana.



## 15. INSTRUCCIONES DE ACTIVACIÓN DE LA OPCIÓN CRT PARA WPP1366SS SOLAMENTE

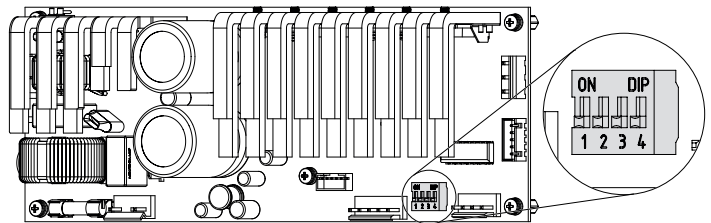
### ⚠ ADVERTENCIA

**Riesgo de choque eléctrico. Este procedimiento debe hacerlo personal competente con arreglo a los códigos y normas en vigor. Antes de proceder, corte la alimentación en el tablero de servicio y bloquee los medios de desconexión para impedir que la corriente se conecte accidentalmente.**

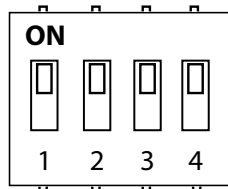
**NOTA IMPORTANTE:** La opción CRT (Code Ready Technology™) permite modificar el caudal de aire ajustado de fábrica (600 PCM) a un máximo de 400 PCM o 300 PCM. La activación de la opción CRT reduce el caudal de aire de la campana, lo que permite la operación dentro del límite mínimo permitido por los códigos de aire de complemento para cumplir ciertos requisitos del código de construcción. No intente modificar el ajuste original de PCM del ventilador a menos que esta modificación sea requerida. Este cambio modificará el rendimiento de su producto.

### Como activar la opción CRT:

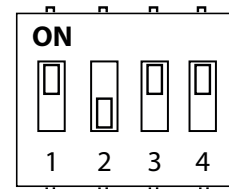
1. Localizar los conmutadores de paquete de dos vías sobre la tarjeta electrónica.



2. Utilizando un destornillador de precisión, ajustar los conmutadores de paquete de dos vías de acuerdo con una de las ilustraciones al lado.



AJUSTE A  
300 CFM



AJUSTE A  
400 CFM

3. Localizar la etiqueta, al lado de la etiqueta de las especificaciones del ventilador y marcar la casilla correspondiente.

## 16. CALIBRACIÓN DEL VENTILADOR IQ™

Después de instalar y cablear la campana, active el proceso de calibración (nuestra Tecnología de sistema de desempeño garantizado, para asegurar que se suministre el flujo de aire nominal total). Antes de la calibración, asegúrese de que todos los filtros, bombillas de luz y los conductos estén instalados.

### PROCESO DE CALIBRACIÓN

Sostenga el botón de calibración durante 3 segundos; el botón se encenderá y estará así por 13 minutos. El ventilador arrancará y comenzará el proceso de calibración. Cuando se termine la calibración, ocurrirá una de dos cosas:

- El ventilador se apaga y la luz del botón de calibración permanece encendida = Calibración exitosa. Presione el botón para apagar la luz LED. Nota: La luz LED también se apagará si selecciona alguna velocidad del ventilador en el control.
- El ventilador se apaga y el botón de calibración destella continuamente = Demasiada restricción en los conductos impide que el ventilador IQ™ obtenga el flujo de aire nominal. El ventilador se configura automáticamente en su intensidad máxima.

NOTA: Elementos comunes que provocan restricciones: el alerón del regulador está restringido (regulador de contrato, tapa de pared, tapa de techo) demasiados codos, tamaño de conducto menor del 80% de salida de la campana, mala transición, uso de conductos flexibles y/o conductos aplastados.

Hay disponibles tres opciones si el sistema de la campana tiene demasiada restricción:

- Aceptar el flujo de aire como está. Presione el botón de calibración para aceptar el flujo de aire tal cual. El ventilador IQ™ está configurado ahora en el rendimiento más alto posible. La luz de calibración destellante se apaga. Nota: La luz LED también se apagará si selecciona alguna velocidad del ventilador en el control.
- Corrija la instalación del conducto, despeje los datos de calibración originales y repita el proceso de calibración.
  - Corrija la restricción del conducto.
  - Despeje los datos de calibración originales manteniendo presionado el botón de calibración durante 10 segundos. La luz destellará 3 veces para confirmar y la configuración del ventilador regresará a los ajustes predeterminados.
  - Repita el proceso de calibración desde el principio.
- Despeje los datos de calibración para reiniciar la campana a la configuración de fábrica y obtener un rendimiento estándar de alta presión del ventilador manteniendo presionado el botón de calibración durante 10 segundos. La luz destellará 3 veces para confirmar y la configuración del ventilador regresará a los ajustes predeterminados.

## 17. USO Y CUIDADO

### Filtros híbridos

Los filtros híbridos deben limpiarse con frecuencia. Utilice una disolución de detergente con agua templada. Lávelos con mayor frecuencia si su tipo de cocina genera más grasa (alimentos fritos o cocina con wok).

Retire los filtros empujándolos hacia la parte delantera de la campana y inclinándolos. Las placas de los filtros pueden lavarse en el lavavajillas. Deje que los filtros sequen completamente antes de volver a instalarlos en la campana.

Limpe los filtros totalmente metálicos en el lavavajillas con un detergente sin fosfato. El filtro podría descolorarse si se utiliza un detergente con fosfato o debido al tipo de agua, pero esto no afecta su funcionamiento. Este descoloramiento no está cubierto por la garantía.

### Limpeza del riel por la grasa

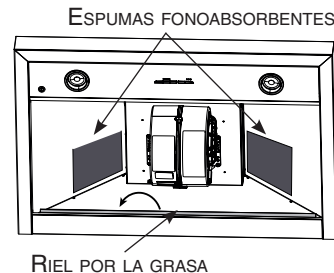
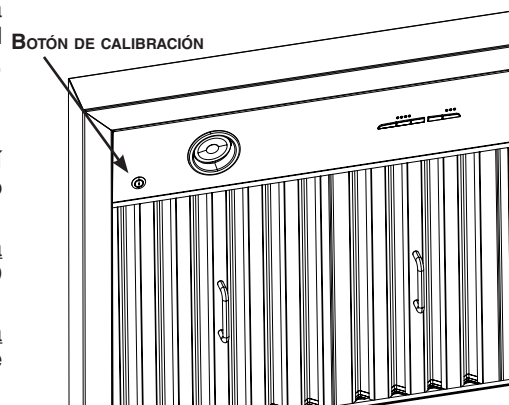
El riel debe limpiarse con frecuencia. Sáquelo del grupo de alimentación (véase más adelante) y límpielo con una disolución de detergente con agua templada. Lávelo con mayor frecuencia si su tipo de cocina genera más grasa (alimentos fritos o cocina con wok). Deje que el riel seque completamente antes de volver a instalarlo en el grupo de alimentación.

### Limpeza de la espuma

La campana está equipada con espumas fonoabsorbentes. Limpiar cuidadosamente la superficie de la espuma con un paño suave.

### Limpeza de la campana

Limpeza del acero inoxidable:



### Debe hacerse:

- Limpiar regularmente las superficies con un trapo limpio humedecido con una mezcla de agua templada y jabón suave o detergente para la vajilla.
- Limpiar siempre en la dirección de las líneas originales de pulido del acero.
- Enjuagar siempre con agua limpia (2 o 3 veces) después de limpiar. Seque completamente.
- También puede utilizar un limpiador doméstico especial para acero inoxidable.

### No debe hacerse:

- Utilizar un estropajo de acero o acero inoxidable u otro tipo de rasquetas para quitar la suciedad resistente.
- Utilizar limpiadores fuertes o abrasivos.
- Dejar que la suciedad se acumule.
- Dejar que el polvo del yeso u otros residuos de la construcción manchen la campana. Si efectúa obras de construcción o renovación, cubra la campana para que no se manche la superficie de acero inoxidable.

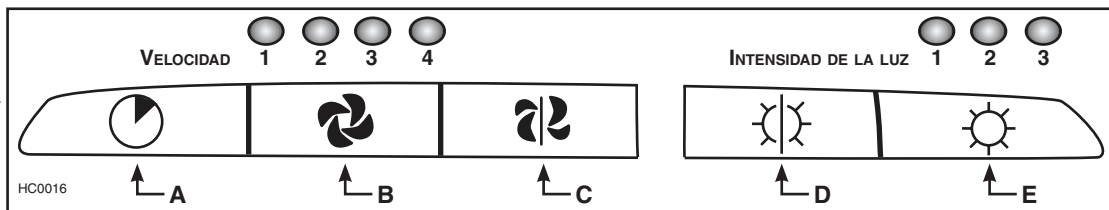
### Al escoger un detergente, evite:

- Los limpiadores que contienen **blanqueador (lejía)**, ya que dañarán el acero inoxidable.
- Los productos que contengan **cloruro, fluoruro, yoduro y bromuro**, ya que deterioran las superficies rápidamente.
- Los productos combustibles que se emplean para la limpieza, como **acetona, alcohol, éter, bencol**, etc., ya que son altamente explosivos y nunca deberían estar cerca de una cocina.

## 18. FUNCIONAMIENTO

Ponga en marcha siempre el ventilador antes de empezar a cocinar para generar una corriente de aire en la cocina. Deje en marcha el ventilador durante unos minutos para renovar el aire una vez que haya apagado la cocina.

- A) Interruptor de retardo del ventilador
- B) Encendido / Control de velocidad del ventilador
- C) Interruptor de apagado del ventilador / Mantenimiento de los filtros
- D) Apagado de la luz
- E) Interruptor de luz LED



### A. INTERRUPTOR DE RETARDO DEL VENTILADOR:

Cuando el ventilador está en funcionamiento, pulse este interruptor para activar la función de retardo. El diodo indicador de velocidad correspondiente empezará a parpadear para indicar que esta función está activada. El ventilador seguirá funcionando durante 10 minutos y se detendrá automáticamente. Para cancelar la función de retardo, pulse de nuevo el interruptor de retardo del ventilador; el ventilador funcionará en modo normal.

NOTA: La velocidad del ventilador puede aumentarse o disminuirse cuando se está en modo retardo sin tener que empezar otro ciclo de 10 minutos.

### B. ENCENDIDO/CONTROL DE VELOCIDAD DEL VENTILADOR:

Pulse este interruptor para poner en marcha el ventilador en la última velocidad que se seleccionó. Para cambiar la velocidad del ventilador pulse de nuevo en el interruptor hasta lograr la velocidad deseada. Mantenga presionado este botón durante 2 segundos para pasar a una velocidad inferior. Se puede pasar de 4 a 3, de 3 a 2, de 2 a 1 y de 1 a apagar el ventilador.

NOTAS: 1. Cada vez que presione en el control de velocidad del ventilador, la velocidad aumenta 1 nivel (p. ej., velocidad 1 a velocidad 2, velocidad 2 a velocidad 3 y así sucesivamente hasta la velocidad 4. De la velocidad 4 se pasa a la velocidad 1).

2. La última velocidad seleccionada se guarda en la memoria. No ocurre así con la cuarta velocidad, de manera que la próxima vez que se encienda el ventilador, funcionará en la velocidad 3.

### HEAT SENTRY™

La campana viene equipada con un dispositivo protector que se activa cuando detecta un calor excesivo dentro de la campana. Este dispositivo toma el control del ventilador y desactiva la velocidad 4 durante 10 minutos y activa la velocidad 3. Durante la activación del Heat Sentry, el botón de la velocidad 4 parpadeará y el botón de la velocidad 3 se encenderá. Solamente se puede utilizar la velocidad 3.

### ⚠ ADVERTENCIA

**El termostato HEAT SENTRY puede poner en marcha el ventilador aunque la campana esté apagada. En este caso, resulta imposible apagar el ventilador con el interruptor del ventilador. Si tiene que apagar el ventilador, hágalo en el tablero eléctrico principal.**

### C. INTERRUPTOR DE APAGADO DEL VENTILADOR/MANTENIMIENTO DE LOS FILTROS:

Pulse este interruptor para apagar el ventilador y anular la función de retardo (si está activada).

NOTA: Tras 25 horas de funcionamiento, todas las luces del ventilador parpadearán durante 30 segundos para indicar que hay que limpiar los filtros con el fin de que la campana funcione correctamente. Al presionar el botón OFF (apagado) se reinicia el código para indicar que se han realizado las tareas de mantenimiento.

### D. APAGADO DE LA LUZ:

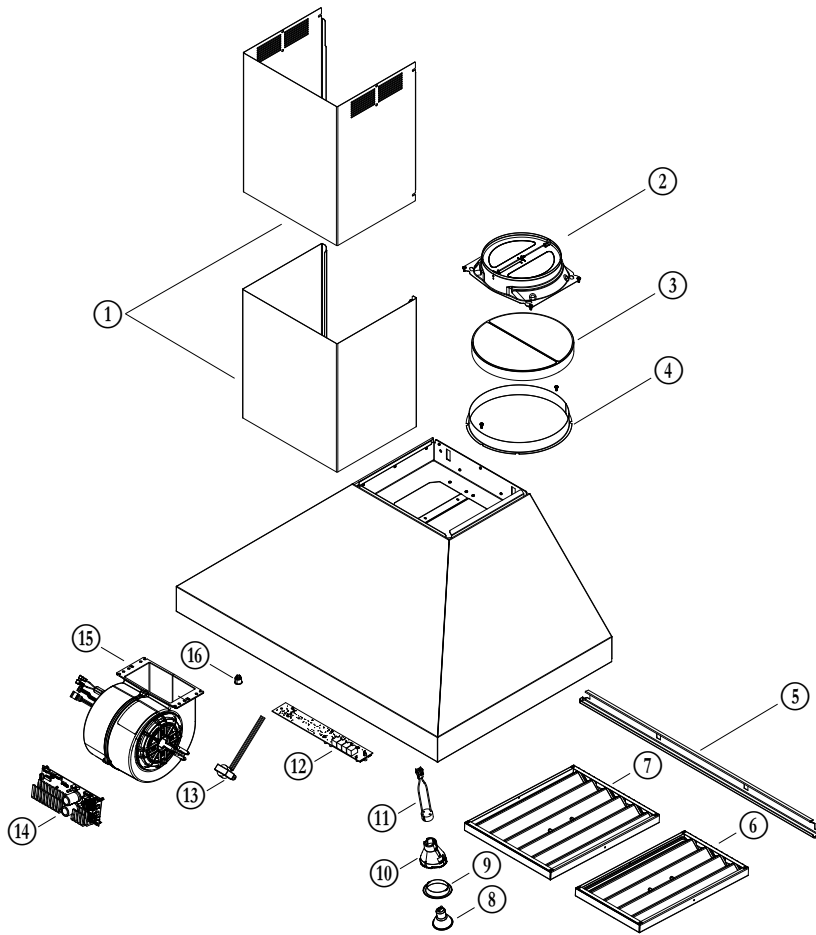
Pulse este interruptor para apagar la luz.

### E. INTERRUPTOR DE LUZ LED:

Pulse este interruptor para encender las lámparas LED. La intensidad de la luz cambia de nivel en nivel (p. ej., pulse una vez para baja intensidad, pulse de nuevo para mayor intensidad y así hasta tres veces). Una vez en la mayor intensidad, al presionar se vuelve a la intensidad más baja.

NOTA: La última intensidad utilizada se guarda en la memoria de modo que la próxima vez que se encienda la luz tendrá dicha intensidad.

## 19. PIEZAS



### SUSTITUCIÓN DE PIEZAS Y REPARACIÓN

Para que la unidad se conserve en buen estado, debe usar repuestos genuinos de BEST únicamente. Estas piezas se han diseñado especialmente para cada unidad y se han fabricado conforme a las normas de certificación aplicables y un elevado nivel de seguridad. El uso de repuestos de otros fabricantes podría causar daños graves y reducir radicalmente el desempeño de la unidad, causando así fallas prematuras. BEST también aconseja ponerse en contacto con un taller de reparación homologado por BEST para todos los repuestos y reparaciones.

N.º	N.º DE PIEZA	DESCRIPCIÓN	CANTIDAD (MODELO DE CAMPANA)		
			WPP1366SS	WPP13612SS	WPP14812SS
1	S1111342	CHIMENEA DECORATIVA (PARTE SUPERIOR Y INFERIOR)	1	1	1
2	SV08543	APADTADOR/COMPUERTA 8 PULG.	1		
3	SV08542	COMPUERTA 10 PULG.		1	1
4	SV08542	ADAPTADOR 10 PULG.		1	1
5	S1111830	RIEL POR LA GRASA 36 PULG.	1	1	
	S1111831	RIEL POR LA GRASA 48 PULG.			1
6	S1110640	FILTRO HÍBRIDO (8,84 PULG. X 15 PULG.)	1	1	5
7	S1110641	FILTRO HÍBRIDO (11,84 PULG. X 15 PULG.)	2	2	
8	S1110531	BOMBILLA DEL GU10	2	2	4
9	SV09434	PANEL DE ACERO INOXIDABLE	2	2	2
10	SV05917	CASQUILLO GU10	2	2	2
11	SV09435	PORTALÁMPARA GU10	2	2	2
12	SV20814	CONTROL ELECTRÓNICO DEL VENTILADOR	1	1	1
13	SV09022	TRANSFORMADOR 120 VAC 9 VOLTIOS DC	1	1	1
14	SV21416	CONTROL ELECTRÓNICO DEL MOTOR ÚNICO	1		
	SV20818	CONTROL ELECTRÓNICO DEL MOTOR DOBLE		1	1
15	S97018985	VENTILADOR 600 PI <sup>3</sup> /MIN	1	2	2
16	S1111298	BOTÓN DE CALIBRACIÓN	1	1	1
*	S1111897	ARNÉS DE PROTECCIÓN DE SOBRECORRIENTE	1	1	1
*	SV21418	ARNÉS ALTA TENSIÓN PARA MOTOR ÚNICO	1		
*	SV20824	ARNÉS ALTA TENSIÓN PARA MOTOR DOBLE		1	1
*	S1111341	BOLSA DE PIEZAS Y SOPORTES	1	1	1

\* NO SE MUESTRAN.

## 20. GARANTIA

### Garantía limitada DE CINCO AÑOS PARA PRODUCTOS BEST®

**Periodo de garantía y exclusiones:** Broan-NuTone LLC (la «Compañía») garantiza al consumidor quien compra su producto («Usted») que el producto (el «Producto») será libre de defectos importantes de fabricación y de materiales por una duración de cinco (5) años a partir de la fecha de compra (o por una duración más larga si la ley aplicable lo exige) o un periodo de dos (2) años a partir de la fecha de prestación de un servicio sobre el Producto.

El periodo de garantía limitada para las piezas de repuesto proporcionadas por la Compañía y los Productos reparados o reemplazados bajo esta garantía limitada será el resto del periodo de garantía original (o un periodo más largo si la ley aplicable lo exige).

**ESTA GARANTÍA EXCLUYE LOS ARRANCADORES DE LÁMPARAS FLUORESCENTES, LOS TUBOS, LAS BOMBILLAS, LOS FUSIBLES, LOS FILTROS, LOS CONDUCTOS, LAS TAPAS PARA TECHO, LAS TAPAS PARA PARED Y LOS OTROS ACCESORIOS PARA CONDUCTOS.** También excluye: a) el mantenimiento normal, b) el uso y desgaste normales, c) los productos y las piezas que han sido objeto de un uso indebido, anormal o negligente, un maltrato, un accidente, un mantenimiento, almacenamiento o reparación inadecuados (excepto en caso de reparación por la Compañía), d) los daños causados por una instalación inadecuada, o por una instalación o un uso contrario a las recomendaciones o instrucciones, e) los daños causados por el contacto con el aire salino, f) los daños que ocurran durante el transporte, g) el desgaste normal del acabado, h) los Productos que son objeto de un uso comercial o no residencial, i) los daños causados por el fuego, una inundación u otro desastre natural o j) los Productos a los cuales se les haya alterado, desfigurado o removido el número de serie. Esta garantía solo cubre los Productos vendidos a consumidores de Norteamérica.

Esta garantía substituye todas las garantías anteriores y, sin perjuicio de la ley aplicable, no se puede transferir por el comprador original.

**Ninguna otra garantía:** Esta garantía limitada enuncia la única obligación de la Compañía y el único recurso que tiene Usted en cuanto a los Productos defectuosos. Las garantías enunciadas arriba son exclusivas y se anteponen a todas las otras garantías y condiciones, ya sean expresas o implícitas. **EN LA MEDIDA MÁXIMA EN QUE LO PERMITA LA LEY APLICABLE, LA COMPAÑÍA RENUNCIA A TODAS LAS OTRAS GARANTÍAS Y CONDICIONES EXPRESAS O IMPLÍCITAS POR LA LEY Y LAS EXCLUYE, INCLUYENDO, ENTRE OTRAS, LAS GARANTÍAS DE COMERCIALIZACIÓN Y LAS DE IDONEIDAD PARA UN PROPÓSITO PARTICULAR.** En la medida en que la ley aplicable prohíba la exclusión de las garantías o condiciones implícitas, la duración de cualquier garantía o condición implícita aplicable se limita al periodo indicado para la garantía expresa mencionada arriba. Ciertas jurisdicciones (incluyendo a veces la provincia de Quebec o ciertos estados de los Estados Unidos) prohíben la restricción de la duración de las garantías implícitas, así que la restricción mencionada arriba podría no aplicarse a Usted. Las descripciones orales o escritas del Producto tienen como único propósito identificar al Producto y no se deben interpretar como una garantía expresa.

Cuando sea posible, cada disposición de esta garantía limitada se debe interpretar de manera que tenga plena validez y efectos legales bajo la ley aplicable, pero en el caso de que se declare prohibida o nula una disposición, ésta será nula solo en la medida en que lo prevea esta prohibición o nulidad, sin efecto para los otros elementos de esta disposición o las otras disposiciones de esta garantía limitada.

**Recurso:** Durante el periodo de garantía limitada aplicable, la Compañía, según su criterio, proporcionará piezas de repuesto o servicios de reparación o reemplazo sin cargo alguno para cualquier Producto o pieza de Producto, en la medida en que la Compañía constata a) que esta garantía cubre este Producto o esta pieza bajo un uso y mantenimiento normales y b) que la garantía queda incumplida. La Compañía le enviará el Producto reparado, el producto de reemplazo o las piezas de repuesto sin cargo alguno. Usted tendrá que pagar todos los costos de desinstalación, reinstalación y envío así como los otros cargos de transporte relacionados con el envío del Producto o la pieza a la Compañía. Si Usted debe enviar el Producto o la pieza a la Compañía, conforme a las instrucciones de la misma, Usted tendrá que empaquetar el Producto o la pieza correctamente; la Compañía no es responsable de los daños que ocurran durante el transporte. La Compañía se reserva el derecho de utilizar Productos o piezas reacondicionados, renovados, reparados o remanufacturados para la reparación o el reemplazo bajo esta garantía. Estos Productos y piezas serán comparables en cuanto a la función y el rendimiento con el Producto o la pieza original y serán garantizados por la duración restante del periodo de garantía original (o por una duración más larga si la ley aplicable lo exige). La Compañía se reserva el derecho, según su exclusivo criterio, de reembolsar el monto que Usted haya realmente pagado por el Producto. Si el Producto o la pieza ya no está disponible, la Compañía puede, según su exclusivo criterio, reemplazarlo con un producto similar de valor igual o superior. Esto constituye su único y exclusivo recurso en caso de incumplimiento de esta garantía limitada.

**Exclusión de los daños: LA OBLIGACIÓN DE LA COMPAÑÍA DE PROPORCIONAR PIEZAS DE REPUESTO O DE REPARAR O REEMPLAZAR EL PRODUCTO, SEGÚN SU CRITERIO, ES EL ÚNICO Y EXCLUSIVO RECURSO QUE TIENE USTED BAJO ESTA GARANTÍA LIMITADA Y LA ÚNICA OBLIGACIÓN DE LA COMPAÑÍA. ÉSTA NO SERÁ RESPONSABLE DE LOS DAÑOS INCIDENTALES, INDIRECTOS, CONSECUENTES O ESPECIALES CAUSADOS DIRECTAMENTE O INDIRECTAMENTE POR EL PRODUCTO, SU USO O SU RENDIMIENTO.**

Puesto que ciertas jurisdicciones prohíben la exclusión o restricción de los daños incidentales o consecuentes, la exclusión o restricción mencionada arriba podría no aplicarse a Usted. Esta garantía le otorga derechos legales específicos, y Usted también podría tener otros derechos, los cuales pueden ser diferentes según la jurisdicción. Las renunciaciones, exclusiones y restricciones de responsabilidad bajo esta garantía no se aplican en la medida en que lo prohíba la ley aplicable. Esta garantía solo cubre el reemplazo o la reparación de las piezas o los Productos defectuosos al sitio de negocio principal de la Compañía; los gastos de viaje y estancia relacionados con los servicios de campo están excluidos. Cualquier asistencia proporcionada u obtenida para Usted por la Compañía y que no está cubierta por las condiciones, restricciones o exclusiones de esta garantía limitada no constituye una renuncia a estas condiciones, restricciones y exclusiones, y la prestación de dicha asistencia no prolongará o restablecerá la garantía.

La Compañía no le reembolsará los gastos que Usted haya hecho por la reparación o el reemplazo de un Producto defectuoso, excepto si Usted ha previamente recibido el permiso escrito de la Compañía por ellos.

**Cómo obtener el servicio de garantía:** Para tener derecho al servicio de garantía, Usted debe a) informar la Compañía a la dirección o al número de teléfono escrito aquí abajo dentro de siete (7) días después de que haya descubierto el defecto cubierto, b) dar el número de serie y los datos de identificación de la pieza y c) describir la naturaleza de cualquier defecto del Producto o de la pieza. Cuando solicite el servicio de garantía, Usted tiene que presentar una prueba de la fecha de compra original. Si no puede proporcionar una copia de la versión escrita original de la garantía limitada, las condiciones de la versión más reciente de la garantía limitada de la Compañía para su producto se aplicarán.

### ESPECIFICACIONES DEL PRODUCTO

Todas las ilustraciones y las especificaciones en este catálogo están establecidas según la información que era la más reciente en el momento en cual fue producido. Broan-NuTone LLC y BEST® se reservan el derecho de cambiar, en cualquier momento y sin previo aviso, los precios, colores, materiales, productos, especificaciones y modelos y el lugar de fabricación, así como de parar la producción de un modelo o producto.

BEST, 926 West State Street, Hartford, Wisconsin, USA 53207 BestRangeHood.com 800-558-1711

BEST, 550 Lemire Blvd., Drummondville, Québec, Canada J2C 7W9 BestRangeHoods.ca 800-567-3855