

NEW
Preliminary

Whirlpool® 27" Single Wall Oven WOS92EC7A

KEY FEATURES

- 27" Single Wall Oven
- True Convection System with Convection Conversion
- 4.3 cu. ft. Oven Capacity
- AccuBake® Temperature Management System
- Rapid Preheat
- Traditional Self-Clean System
- SteamClean Option
- FIT System
- New Whirlpool® Design
- Hidden Bake



COLORS

White(W)



Black(B)



Stainless
Steel(S)





Whirlpool® 27" Single Wall Oven WOS92EC7A

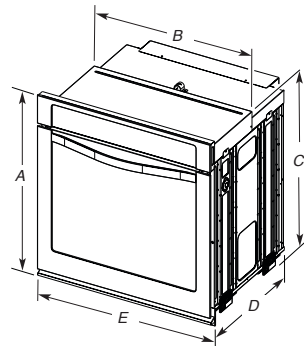
SPECIFICATIONS

MODEL #	WOS92EC7A
TRANSITIONED FROM MODEL #	GBS279PV
FEATURES	
Capacity (cu. ft.)	4.3
True Convection System	Yes
Self-Cleaning	Yes with Steam Clean
Rack Configuration	3 Racks with Integrated Handles
GENERAL OVEN FEATURES	
Bake Element (Watts) @240/208 V	2800/2427
Broil Element (Watts) @240/208 V	3600/3120
Broil Passes	8
Oven Cavity Size (in.)	18 in. H x 22 in. W x 19 in. D
AccuBake® Temperature Management System	Yes
Hidden Bake	Yes
Delay Bake	Yes
Sabbath Mode	Yes
Closed Door Broiling	Yes
Rapid Pre-heat	Yes
Rack Positions	6
Control Type	Membrane
Control Lockout	Yes
Oven Controls Display Type	VFD
Oven Controls Display Color	Blue / Red
Oven Light(s)	2 Incandescent
Approved for Under-Cooktop Installation	Yes
SPECIFICATIONS	
Power Supply Connection Location	3" Below Support Platform on Left or Right Hand side
Sales Demo Mode	Yes
Total Connected Load (kW) @ 240 volts	3.715
Total Connected Load (kW) @ 208 volts	2.819
Circuit (amps)	30
Approx. Shipping Weight (lbs.)	138
Handle Type	Metal
FIT System feet and trims supplied with oven	Yes
COLORS	W, B, S

W=White, B=Black, S=Stainless Steel

DIMENSIONS

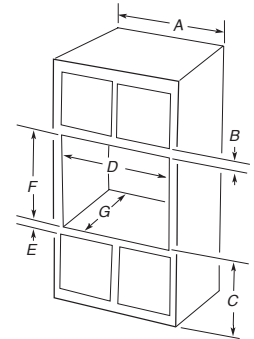
PRODUCT DIMENSIONS



27" (68.6 cm) models
 A. 28^{3/4"} (72.8 cm) max. overall height
 B. 25^{7/16"} (64.6 cm) max. recessed width
 C. 26^{3/8"} (67.9 cm) recessed height
 D. 23^{1/4"} (59.1 cm) max. recessed depth
 E. 27" (68.6 cm) overall width

CABINET DIMENSIONS

Single Ovens Installed in Cabinet

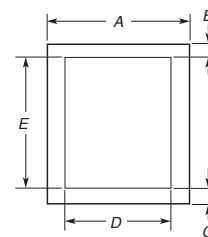


27" (68.6 cm) models
 A. 27" (68.6 cm) min. cabinet width
 B. 1" (2.5 cm) top of cutout to bottom of upper cabinet door
 C. 32" (81.3 cm) bottom of cutout to floor
 D. 25^{1/2"} (64.8 cm) cutout width
 E. 1^{1/2"} (3.8 cm) min. bottom of cutout to top of cabinet door
 F. 28" (71.2 cm)* recommended cutout height
 G. 24" (60.7 cm) cutout depth

NOTE: The cutout height can be between 26^{7/8"} (68.4 cm) and 29^{13/32"} (74.8 cm) for single ovens.

CABINET DIMENSIONS

Single Oven Undercounter (without cooktop installed above)



27" (68.6 cm) models
 A. 27" (68.6 cm) min. cabinet width
 B. 1^{1/2"} (3.8 cm) min. top of cutout to underside of

CUTOUT DIMENSIONS	
Height	26 29/32 to 29 13/32
Width	25 1/2
Depth	24
Bottom of cutout to floor (undercounter)	5 1/4
Bottom of cutout to floor (in-wall)	32
PRODUCT DIMENSIONS	
Overall Height	28 3/4
Overall Width	27
Overall Depth	26 3/8
Depth with door open 90 degrees	46 3/4

All dimensions are shown in inches.

Dimensions are for planning purposes only.
 For complete details, see Installation Instructions packed with product.
 Specifications subject to change without notice.