

Double Oven, 30", 10 Function, Self-cleaning

Series 9 | Professional

Stainless Steel

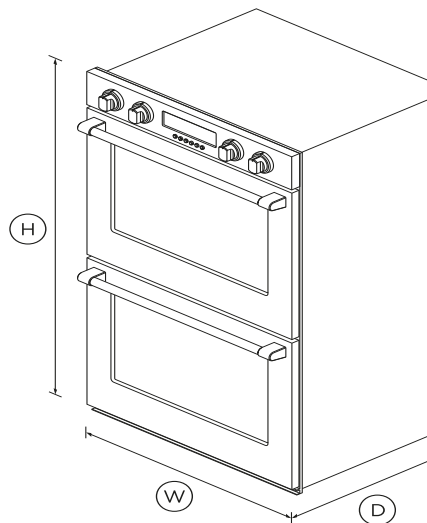


Choose maximum capacity, combining two independent ovens so you can cook multiple dishes simultaneously.

- 4.1 + 4.1 cu ft total capacity across two oven cavities
- 10 functions in each oven including Roast and Aero™ Pastry
- High-temperature self-cleaning function breaks down food residue for an easy clean
- Non-tip, full-extension shelves for safe removal of hot dishes

DIMENSIONS

Height	48 1/2"
Width	29 3/4"
Depth	23 5/16"



FEATURES & BENEFITS

Cooking flexibility

This built-in oven has 10 functions with pre-set temperatures, including Roast, Pastry Bake and Maxi Broil allowing you to use a variety of cooking styles.

Even cooking

A digital microprocessor monitors the temperature to ensure precise heat and a four-way convection system creates even heat distribution throughout the oven, ideal for multi-shelf cooking.

Sized to suit

This is one of the largest built-in ovens on the market providing

8.2 cu ft total capacity across two oven cavities allowing you to fit a large casserole dish, the family roast and a pie for dessert.

Self cleaning

The self-clean function breaks down food residue at a very high temperature, leaving a light ash that's easily removed with a damp cloth. For best results, wipe down the inside of your oven door before you use the self-clean function.

Information at a glance

Halo illuminated dials provide information at a glance. White - heating up; orange - temperature is reached; red - self-cleaning mode. Three halogen lights and the large oven window creates excellent visibility of what's cooking.

Safe and sound

The CoolTouch door with triple glazing and cooling system is safe to touch from the outside, protecting your hands and the surrounding cabinetry.

SPECIFICATIONS

Accessories

Full extension sliding shelves	5 sets
Roast dish, splatter guard and	1

Capacity

Shelf positions	8
Usable gross capacity (top	3.6cu ft

Cleaning

Self-clean	•
------------	---

Controls

Concealed element	•
-------------------	---

Electric circuit	4 wire
Halogen lights	•
Sabbath mode	•
True convection oven	•

Functions

Bake	•
Broil	•
Convection Broil	•
Convection bake	•
Convection pastry	•
Maxi Broil	•
Maxi Grill	•
Number of functions	10
Pastry Bake	•
Pastry Bake with Pizza mode	•
Roast	•
Self-clean function	•
True convection	•
Warm	•

Performance

Broil power	4400W
Convection power	2500W

Power requirements

Rated current	50A
Supply frequency	60Hz
Supply voltage	120 - 240V

Product dimensions

Depth	23 5/16"
Height	48 1/2"
Width	29 3/4"

Safety

ADA compliant	•
Full extension sliding shelves	•

SKU	81831
-----	--------------

The product dimensions and specifications in this page apply to the specific product and model. Under our policy of continuous improvement, these dimensions and specifications may change at any time. You should therefore check with Fisher & Paykel's Customer Care Centre to ensure this page correctly describes the model currently available. ? Fisher & Paykel Appliances Ltd 2020

Other product downloads available at fisherpaykel.com

- [↓](#) Quick Start Guide
- [↓](#) User Guide
- [↓](#) Installation Guide
- [↓](#) Data Sheet Double Oven



A PEACE OF MIND SALE

24 Hours 7 Days a Week Customer Support

T 1.888.936.7872 Wwww.fisherpaykel.com