

**NEW**  
Preliminary

# Whirlpool® 27" Combo Wall Oven WOC54EC7A

## KEY FEATURES

- 27" Combination Microwave-Wall Oven
- New Whirlpool® Design

## OVEN FEATURES

- AccuBake® Temperature Management System
- 4.3 cu. ft. Oven Capacity
- Traditional Self-Clean System
- SteamClean Option
- Hidden Bake

## MICROWAVE FEATURES

- Sensor Cooking
- 1.4 cu. ft. Capacity
- Stainless Steel Cavity
- 900 Watts

## COLORS

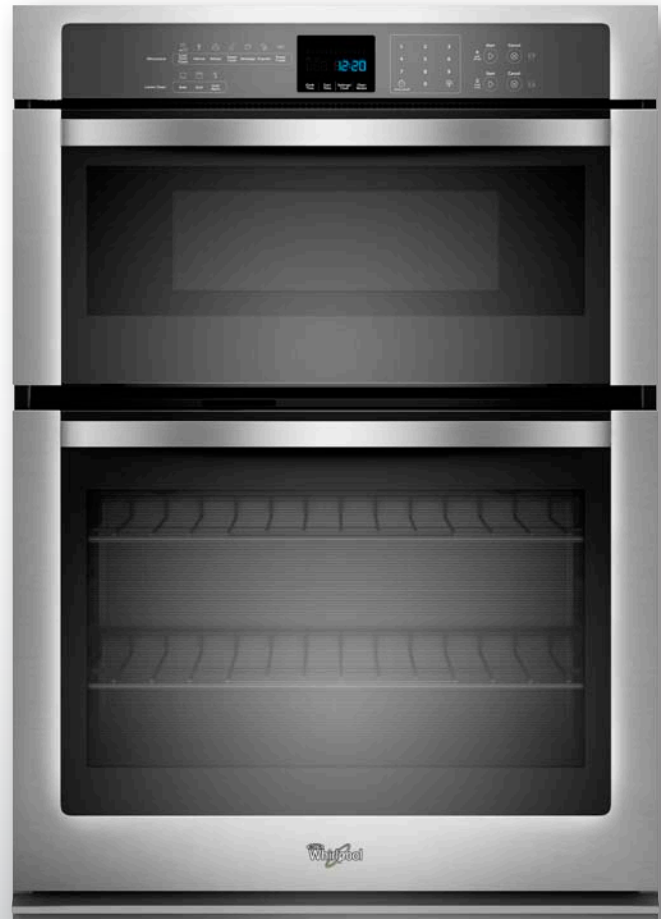
White(W)



Black(B)



Stainless Steel(S)





# Whirlpool® 27" Combo Wall Oven WOC54EC7A

## SPECIFICATIONS

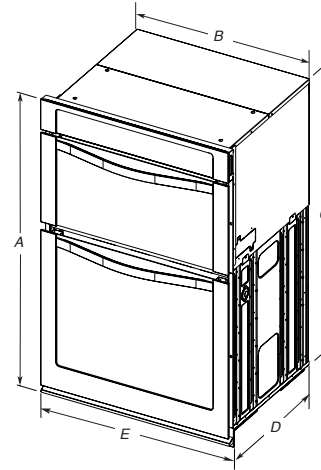
<b>MODEL #</b>	<b>WOC54EC7A</b>
<b>TRANSITIONED FROM MODEL #</b>	<b>RMC275PV</b>
<b>FEATURES (UPPER)</b>	
Microwave Oven Capacity (cu. Ft.)	1.4
Microwave Oven Cavity Size (in.)	8.25 in. H x 16.5 in. W x 17.75 in. D
Diameter of Turntable (in.)	14 1/8
Microwave Wattage	900
Sensor Cooking	Yes
Inverter TE	Yes
<b>FEATURES (LOWER)</b>	
Capacity (cu. ft.)	4.3
Self-Cleaning	Yes
Rack Configuration	2 Racks with Integrated Handles
<b>GENERAL OVEN FEATURES</b>	
Bake Element (Watts) @ 240/208 V	2800/2427
Broil Element (Watts) @ 240/208 V	3600/3120
Broil Passes	8
Oven Cavity Size (in.)	18 in. H x 22 in. W x 19 in. D
AccuBake® Temperature Management System	Yes
Hidden Bake	Yes
Delay Bake	Yes
Sabbath Mode	Yes
Closed Door Broiling	Yes
Rack Positions	6
Control Type	Membrane
Oven Controls Display Type	VFD
Oven Controls Display Color	Blue / Red
Oven Light(s)	2 Incandescent
<b>SPECIFICATIONS</b>	
Power Supply Connection Location	3" Below Support Platform on Left or Right Hand side
Sales Demo Mode	Yes
Circuit (amps)	40
Handle Type	Metal
<b>COLORS</b>	
	<b>W, B, S</b>

W=White, B=Black, S=Stainless Steel

## DIMENSIONS

### PRODUCT DIMENSIONS

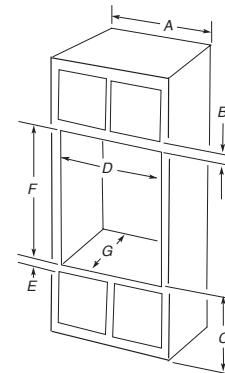
27" (68.6 cm)



**27" (68.6 cm) models**  
 A. 42<sup>5</sup>/<sub>16</sub>" (108.0 cm) overall height  
 B. 25<sup>5</sup>/<sub>16</sub>" (64.6 cm) recessed width  
 C. 41" (104.1 cm) recessed height  
 D. 23<sup>1</sup>/<sub>2</sub>" (59.1 cm) max. recessed depth  
 E. 27" (68.6 cm) overall width

### CABINET DIMENSIONS

27" (68.6 cm)



**27" (68.6 cm) models**  
 A. 27" (68.6 cm) min. cabinet width  
 B. 1" (2.5 cm) top of cutout to bottom of upper cabinet door  
 C. 19<sup>1</sup>/<sub>2</sub>" (48.9 cm) bottom of cutout to floor  
 D. 25<sup>1</sup>/<sub>2</sub>" (64.8 cm) cutout width  
 E. 1<sup>1</sup>/<sub>2</sub>" (3.8 cm) min. bottom of cutout to top of cabinet door  
 F. 41<sup>5</sup>/<sub>16</sub>" (105 cm)\* recommended cutout height  
 G. 24" (60.7 cm) cutout depth

**\*NOTE:** The cabinet height can be between 41" (104.1 cm) and 41<sup>1</sup>/<sub>2</sub>" (105.6 cm) for double ovens.

CUTOUT DIMENSIONS		
Height		41 to 41 1/2
Width		25 1/2
Depth		24
Bottom of cutout to floor (in-wall)		19 1/4
PRODUCT DIMENSIONS		
Height		42 9/16
Width		27
Depth		26 3/8
Depth with door open 90 degrees		46 3/4

All dimensions are shown in inches.

**Dimensions are for planning purposes only.**  
**For complete details, see Installation Instructions packed with product.**  
**Specifications subject to change without notice.**