

Whirlpool® Microwave Hood Combination

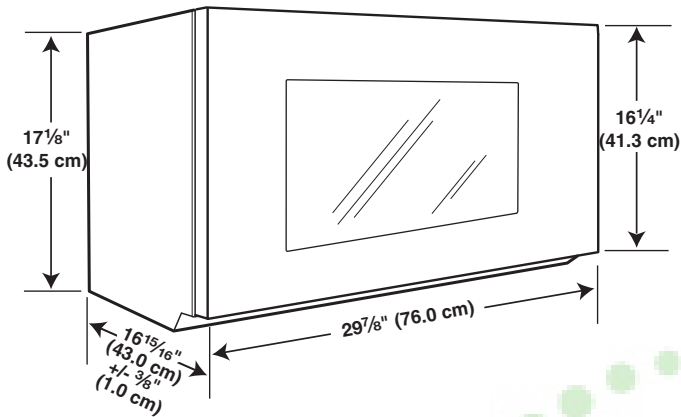
PRODUCT MODEL NUMBER

WMH73521C

WMH76719C

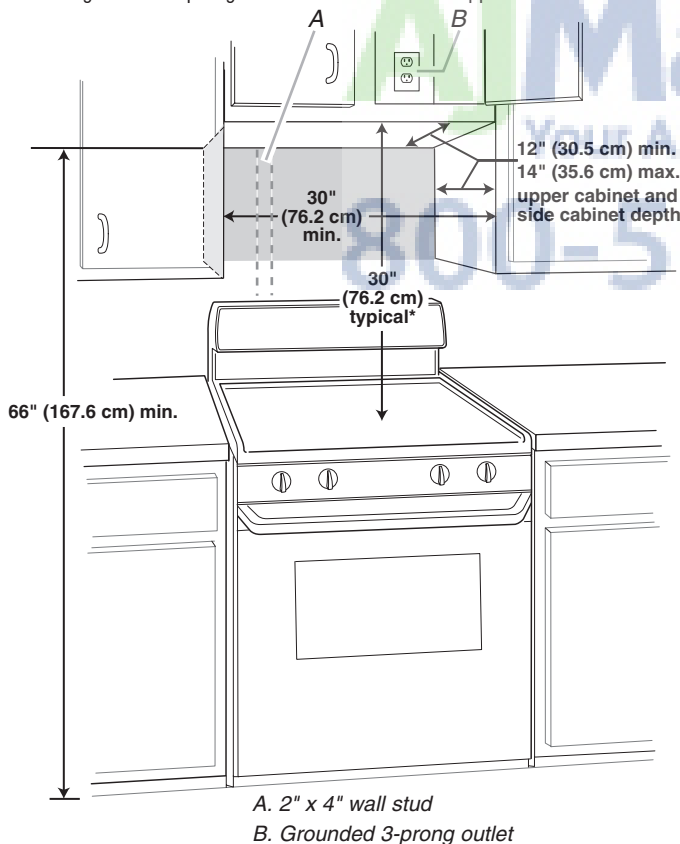
Electrical: A 120-Volt, 60-Hz, AC-only, 15- or 20-amp electrical supply with a fuse or circuit breaker. A time-delay fuse or time-delay circuit breaker is recommended. It is recommended that a separate circuit serving only this microwave oven be provided.

PRODUCT DIMENSIONS



CABINET OPENING DIMENSIONS

The grounded 3-prong outlet must be inside the upper cabinet.



*30" (76.2 cm) is typical for 66" (167.6 cm) installation height.
Exact dimensions may vary depending on type of range/cooktop below.

VENTING DESIGN SPECIFICATIONS

This section is intended for architectural designer and builder/contractor reference only.

NOTES:

- Vent materials needed for installation are not provided with microwave hood combination.
- We do not recommend using a flexible metal vent.
- To avoid possible product damage, be sure to vent air outside, unless using recirculation installation. Do not vent exhaust air into concealed spaces, such as spaces within walls or ceilings, attics, crawl spaces or garages.

For optimal venting installation, we recommend:

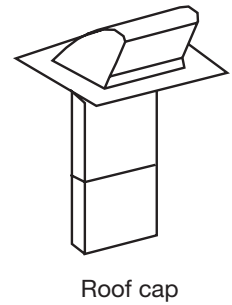
- using roof or wall caps that have back draft dampers
- using a rigid metal vent
- using the most direct route by minimizing the length of the vent and number of elbows to provide efficient performance
- using uniformly sized vents
- using duct tape to seal all joints in the vent system
- using caulking compound to seal exterior wall or roof opening around cap
- not installing 2 elbows together, for optimal hood performance

If venting through the wall, be sure that there is proper clearance within the wall for the damper to open fully.

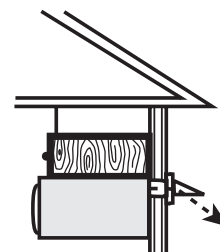
If venting through the roof, and rectangular to round transition is used, be sure there is at least 3" (7.6 cm) of clearance between the top of the microwave oven and the transition piece.



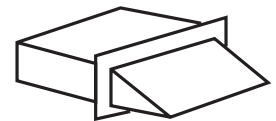
Roof venting



Roof cap



Wall venting



Wall cap

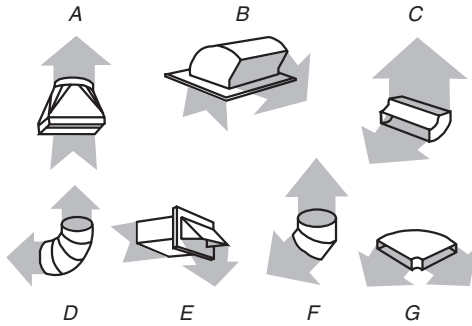
A 3¼" x 10" (8.3 x 25.4 cm) rectangular or 6" (15.2 cm) round vent should be used.

The total length of the vent system including straight vent, elbow(s), transitions and wall or roof caps must not exceed the equivalent of 140 ft (42.7 m) for either type of vent.

For best performance, use no more than three 90° elbows.

To calculate the length of the system you need, add the equivalent length for each vent piece used in the system. See the following examples:

Recommended Standard Fittings



A. Rectangular to round transition piece: 3¼" x 10" to 6" = 5 ft (8.3 x 25.4 cm to 15.2 cm = 1.5 m)

B. Roof cap: 3¼" x 10" = 24 ft (8.3 x 25.4 cm = 7.3 m)

C. 90° elbow: 3¼" x 10" = 25 ft (8.3 x 25.4 cm = 7.6 m)

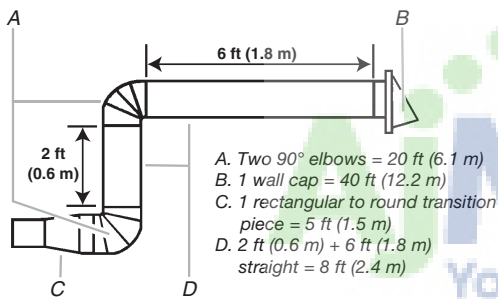
D. 90° elbow: 6" = 10 ft (15.2 cm = 3 m)

E. Wall cap: 3¼" x 10" = 40 ft (8.3 x 25.4 cm = 12.2 m)

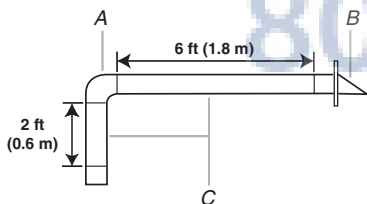
F. 45° elbow: 6" = 5 ft (15.2 cm = 1.5 m)

G. 90° flat elbow: 3¼" x 10" = 10 ft (8.3 x 25.4 cm = 3 m)

6" (15.2 cm) vent system = 73 ft (22.2 m) total



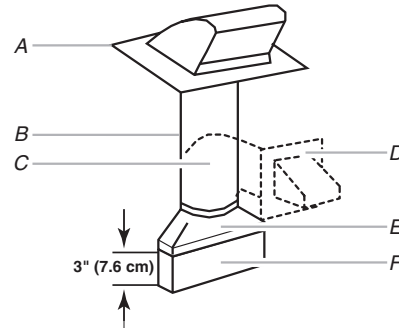
3¼" x 10" (8.3 x 25.4 cm) vent system = 73 ft (22.2 m) total



If the existing vent is round, a rectangular to round transition piece must be used. In addition, a rectangular 3" (7.6 cm) extension vent between the damper assembly and rectangular to round transition piece must be installed to keep the damper from sticking.

Rectangular to Round Transition for Roof Venting

NOTE: The minimum 3" (7.6 cm) clearance must exist between the top of the microwave oven and the rectangular to round transition piece so that the damper can open freely and fully.



- A. Roof cap
- B. 6" (15.2 cm) min. diameter round vent
- C. Elbow (for wall venting only)
- D. Wall cap
- E. 3¼" x 10" to 6" (8.3 x 25.4 cm to 15.2 cm) rectangular to round transition piece
- F. Vent extension piece, at least 3" (7.6 cm) high

Madison
Your Appliance Authority™

800-570-3355