

PRELIMINARY WMH73521C – Microwave Hood Combination



NOTE: Image does not represent actual product.

Whirlpool® microwave hood combinations sense and adapt to deliver precise temperature control and make achieving delicious results effortless.

Key Features

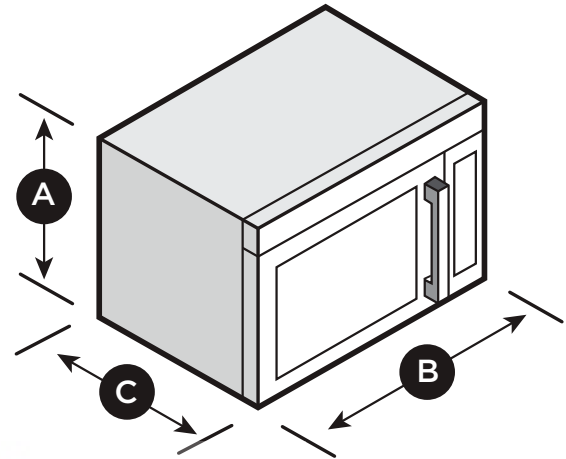
- **2.1 cu. ft. Capacity**—The most capacity available in Whirlpool® microwave hood combinations, 2.1 cu. ft. gives you the flexibility to easily microwave food in containers of almost any size.
- **Sensor Cooking**—Automatically adjusts time for optimal results.
- **Steam Cooking**—Conveniently steams foods such as rice, vegetables and fish in conjunction with the microwave steamer.
- **AccuPop™**—The only microwave that listens to your popcorn, setting the perfect pop-time, every time.
- **CleanRelease® Non-Stick Interior**—Reduces cleanup effort with no special cleaning solutions required because of the non-stick interior.
- **Auto Adapt Fan**—Automatically adjusts fan speed by sensing cooktop temperature.
- **Steam Clean Option**—Uses steam and heat to gently remove cooked-on food without harsh chemicals.

PRELIMINARY WMH73521C – Microwave Hood Combination



NOTE: Image does not represent actual product.

| WHIRLPOOL® | |
|-----------------------|--|
| MODEL | WMH73521C |
| Capacity (cu. ft.) | 2.1 cu. ft. |
| Voltage | 120 |
| EXTERIOR FEATURES | |
| Door Swing | Left hand (hinge side) |
| Handle/Latch | Pull to open |
| Display Type | VFD |
| Styling | 1-piece |
| Control Location | Bottom |
| Ventilation Type | Twin Squirrel Cage Blower |
| Clock Set/Off | Yes (24 Hour) |
| Dynamic Fan Sensing | Yes |
| CFM | 400 |
| Fan Speeds | 4-speed |
| Cooktop Light | Yes |
| INTERIOR FEATURES | |
| Finish | Clean Release with anti-microbial properties |
| Cooking Power Wattage | 1,100 |
| Turntable Material | Glass |
| Rack | Yes |
| Sensor Cooking | Yes |
| Cleaning | CleanRelease™ non-stick interior |
| CYCLES | |
| Cook | Yes |
| Reheat | Yes |
| Soften/Melt | No |
| Add 30 Seconds | Yes-Start Key |
| Popcorn | Yes-AccuPop™ |
| Baked Potato | Yes |
| Vegetable | Yes |
| Frozen Entree | Yes |
| Kids Menu | Yes |
| Warm/Hold | Yes |
| Defrost | Yes |
| Convection | No |
| Steam Cooking | Yes |
| Steam Clean | Yes |
| Timer | Yes |
| ACCESSORIES | |
| Steamer | Optional |



| DIMENSIONS | | |
|---------------------------|--|--------|
| A - Overall Height (in) | | 17 1/8 |
| A - Overall Height (cm) | | 43.5 |
| B - Overall Width (in) | | 29 7/8 |
| B - Overall Width (cm) | | 76.0 |
| C - Overall Depth (in) | | 18 1/2 |
| C - Overall Depth (cm) | | 47.1 |
| Depth without Handle (in) | | 16 3/4 |
| Depth without Handle (cm) | | 42.7 |

Available colors



B | Black W | White S | Stainless H | White Ice E | Black Ice