

## PRELIMINARY WMH32519C – Microwave Hood Combination



NOTE: Image does not represent actual product.

Whirlpool® microwave hood combinations sense and adapt to deliver precise temperature control and make achieving delicious results effortless.

800-570-3355

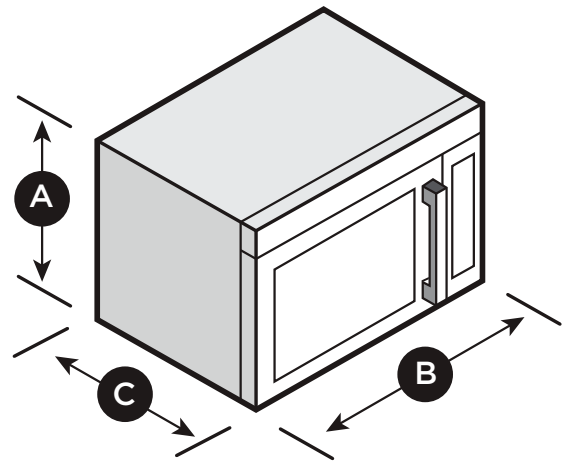
### Key Features

- **Sensor Cooking**—Automatically adjusts time for optimal results.
- **Steam Cooking**—Conveniently steams foods such as rice, vegetables and fish in conjunction with the microwave steamer.
- **Hidden Vent**
- **3-Speed Fan/300 CFM**—Variable fan-speed settings provide the right amount of ventilation for every meal you prepare.
- **1.9 cu. ft. Capacity**—Easily prepare your favorite dishes thanks to 1.9 cu. ft. of capacity, which provides enough space for frozen entrees and microwave-safe mixing bowls.

# PRELIMINARY WMH32519C – Microwave Hood Combination



NOTE: Image does not represent actual product.



WHIRLPOOL®	
MODEL	WMH32519C
Capacity (cu. ft.)	1.9 cu. ft.
Voltage	120
EXTERIOR FEATURES	
Door Swing	Left hand (hinge side)
Handle/Latch	Pull to open
Display Type	VFD
Styling	3-piece
Control Location	Side
Ventilation Type	Twin Squirrel Cage Blower
Clock Set/Off	Yes
Dynamic Fan Sensing	No
CFM	300
Fan Speeds	3-speed
Cooktop Light	Yes
INTERIOR FEATURES	
Finish	Powder-white
Cooking Power Wattage	1,000
Turntable Material	Glass
Rack	Yes
Sensor Cooking	Yes
CYCLES	
Cook	Yes
Reheat	Yes
Soften/Melt	No
Add 30 Seconds	Yes
Popcorn	Yes
Baked Potato	Yes
Vegetable	Yes
Frozen Entree	Yes
Warm/Hold	Yes
Cook Time	Yes
Defrost	Yes
Convection	No
Steam Cooking	Yes
Steam Clean	No
Cook Power	Yes
Timer	Yes

DIMENSIONS	
A - Overall Height (in)	17 5/16
A - Overall Height (cm)	43.8
B - Overall Width (in)	29 7/8
B - Overall Width (cm)	76.0
C - Overall Depth (in)	17 5/16
C - Overall Depth (cm)	43.9
Depth without Handle (in)	15 1/2
Depth without Handle (cm)	39.4

Available colors



B | Black

W | White

T | Biscuit

S | Stainless