

WM9900HSA

LG SIGNATURE

LG Signature 5.8 cu.ft. Mega Capacity Smart Front Load Washer

KEY FEATURES

- 5.8 cu.ft. Capacity
- Full Touch LCD Screen
- TurboWash® 360 Technology
- EZ Dispense
- 26 Wash Programs
- Steam Technology



LG ThinQ®



PRODUCT FEATURES

SUMMARY	
Capacity (cu.ft.)	5.8 cu.ft.
Matching Electric Dryer	DLEX9900S
Matching Gas Dryer	DLGX9901S
Color	Brushed Platinum Steel
ENERGY	
ENERGY STAR® Most Efficient	Yes
ENERGY STAR® Certified	Yes
CEE Tier	Advanced Tier
IMEF	3.2
IWF	2.6
APPEARANCE	
Control & Display	Full Touch LCD Screen
Touch Buttons	Yes
WASH PROGRAM	
	26
	Normal, AI Wash, Bedding, Delicates, Towels, Quick Wash, Heavy Duty, Allergiene®, Perm.Press, Bright Whites™, Sanitary, Tub Clean, Rinse+Spin, Spin Only, Hand / Wool, Activewear, Swimwear, Kids Wear, Jeans, Dresses, Color Care, Sweat Stains, Small Load, Large Load, XL Load, Overnight Wash
WASH OPTIONS	
	22
	TurboWash®, Steam, Fresh Care, Prewash, Delay Start, Extra Rinse, Cold Wash, ezDispense™, Remote Start, Drum Light Cycle List Edit, ezDispense™ Nozzle Clean, Smart Diagnosis, Additional Settings, Wi-Fi, SideKick™ Connection, Control Lock, Signal, Cycle Optimization, Brightness, Factory Reset, Open Source License
Number of Options	

WASH DETAILS	
No. of Wash/Rinse Temps	5
	Extra Hot, Hot, Warm, Cold, Tap Cold
No. of Spin Speeds	5
	Extra High, High, Medium, Low, No Spin
MAX RPM	1300
Water Levels	Load Sensing
No. Soil Levels	5
FABRIC CARE FEATURES	
AI DD®	Yes (2.0)
TurboWash® 360 Technology	Yes
Steam Technology	Yes
Allergiene® Cycle	Yes
Sanitary Cycle	Yes
Cold Wash Option	Yes
Soil Level Sensor	Yes
CONVENIENCE FEATURES	
TrueBalance® Anti-Vibration System	Yes
Vibration sensing (Cabinet Vibration sensor)	No
4 Tray Dispenser	ezDispense cartridge (Detergent, Softener), Main Wash
End of Cycle Signal	Yes
LoadSense	Yes
Control Lock	Yes
Auto Suds Removal	Yes
Leveling Legs	4 Adjustable Legs
Drumlight	Yes
THING® TECHNOLOGY	
Proactive Customer Care	Yes
Smart Diagnosis (v3.0)	Yes
Wi-Fi	Yes
Energy Monitoring	Yes
Tub Clean Coach	Yes
MOTOR	
Motor Type	Inverter Direct Drive Motor
Axis	Horizontal

MATERIALS AND FINISHES	
NeveRust® Stainless Steel Drum	Yes
Cabinet	VCM
Control Panel	X (Cabinet Cover One Piece)
Top Plate	VCM
Door / Rim	Glass / Chrome
Door Cover	Tempered Glass Door
All Available Color	Brushed Platinum Steel
CERTIFICATION	
AAFA	Yes
POWER SOURCE	
Ratings	UL Listed
Electrical Requirements	120V, 12 Amps
Type	Electric
OPTIONS / ACCESSORIES	
Pedestal	WDP8S 29 x 13 5/8" x 29 1/2" (44 3/4" D with door open)
Pedestal (WxHxD)	WD405CS 29" x 14 1/8" x 30 7/8" (52 3/4" with drawer open)
LG Sidekick® Pedestal Washer	WD405CS
LG Sidekick® Pedestal Washer (WxHxD)	29" x 14 1/8" x 30 7/8" (52 3/4" with drawer open)
Stacking Kit	KSTK2 (KSTK5 will replace)
DIMENSIONS	
Product (WxHxD)	29" x 40 3/4" x 31 1/8"
Depth with Door Open	54 5/16" D
Carton (WxHxD)	31 3/8" x 44 3/4" x 33 3/4"
Weight (Product/Carton)	217 / 233.7 lbs
LIMITED WARRANTY	
Parts and Labor	1 Year
Direct Drive Motor	10 Years
Drum	10 Years
UPC CODE	
WM9900HSA	195174069820

WM9900HSA

LG SIGNATURE Front Load Washer

QUICK INSTALL & CLEARANCES

For full installation directions/clearances please refer to the corresponding User Manual and Installation Guide.

DIMENSIONS

A Width	29"
B Height	40 3/4"
C Depth	31 1/8"
D Depth with Door Open (in)	54 5/16"
E Back Clearance	4"
F Side Clearance	1"
G Top Clearance	1/4"
Carton Dimensions (in) (W x H x D)	31 3/8" x 44 3/4" x 33 3/4"

ENERGY

ENERGY STAR® Most Efficient	Yes
ENERGY STAR® Qualified	Yes
CEE Tier	Advanced Tier
IMEF	3.2
IWF	2.6

POWER SOURCE

Ratings	UL Listed
Electrical Requirements	120V, 12 Amps

CONNECTING THE WATER INLET HOSES

To avoid the risk of costly water damage, purchase and install new water inlet hoses when installing the washer.

⚠ WARNING

- Do not overtighten the hoses or cross-thread the hose fittings. Overtightening or cross-threading can damage the valves or couplings, resulting in leaking and property damage.
- Do not reuse old hoses. Use only new hoses when installing the washer. Old hoses could leak or burst causing flooding and property damage. Contact an LG Customer Information Center for assistance in buying hoses.

1 Check the fittings and seals. Inspect the threaded fitting on each hose and make sure there is a rubber seal **1** in place in both ends of each hose to prevent leaking.

2 Connect the water supply hoses.

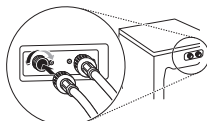
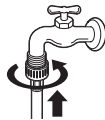
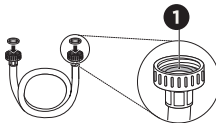
- Connect the water inlet hoses to the hot and cold water faucets tightly by hand and then tighten another 2/3 turn with pliers.
- Connect the blue hose to the cold water faucet and the red hose to the hot water faucet.

3 Flush out the inlet hoses.

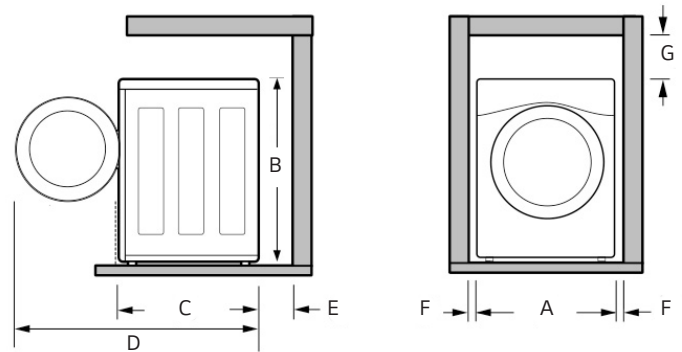
- After the hoses are connected, turn on the water faucets and flush out any foreign substances such as dirt, sand, or sawdust.
- Let the water drain into a bucket, and check the water temperature to make sure you've connected the hoses to the correct faucets.

4 Attach the inlet hoses to the back of the washer.

- Attach the hot water inlet hose to the hot water inlet on the back of the washer. Attach the cold water inlet hose to the cold water inlet on the back of the washer.
- Tighten the fittings securely. Turn on both faucets all the way and check for leaks at both ends of the hoses.



PRODUCT DIMENSIONS



CHOOSING THE PROPER LOCATION

Check the following requirements for the install location before installing the washer.

- Allow for sufficient space between the walls and the washer for installation.
- Make sure that the floor is clean, dry and free of dust, dirt, water and oil so the leveling feet cannot slide easily. Leveling feet that can move or slide on the floor can contribute to excess vibration and noise.
- If the floor has too much flex, reinforce it to make it more rigid. If the floor is not solid, it may cause severe vibration and noise.
- The power outlet must be within 60 inches (1.5m) of either side of the washer.
- Position the washer so that the outlet and plug are easily accessible.
- Do not overload the outlet with more than one appliance.

CONNECTING THE DRAIN HOSE

Connect the drain hose to either a standpipe or laundry tub.

⚠ WARNING

- The drain hose should always be properly secured. Failure to properly secure the drain hose can result in flooding and property damage.

Using a Standpipe to Drain

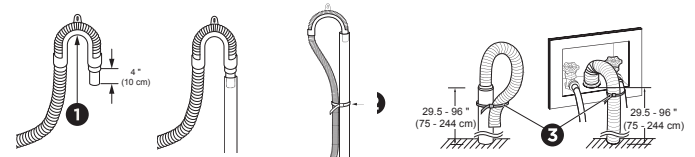
1 Clip the end of the hose into the elbow bracket.

- Connect the elbow bracket **1** within 4 inches (10 cm) of the end of the drain hose. If the drain hose is extended more than 4 inches (10 cm) beyond the end of the elbow bracket, mold or microorganisms could spread to the inside of the washer.

2 Insert the end of the drain hose into the standpipe.

3 Use the provided tie strap **2** to secure the drain hose in place.

4 If the water valves and drain are built into the wall, fasten the drain hose to one of the water hoses with the provided tie strap **3** (ribbed side on inside).



Using the Laundry Tub to Drain

1 Clip the end of the hose into the elbow bracket.

- Connect the elbow bracket **1** within 4 inches (10 cm) of the end of the drain hose. If the drain hose is extended more than 4 inches (10 cm) beyond the end of the elbow bracket, mold or microorganisms could spread to the inside of the washer.

2 Hang the end of the drain hose over the side of the laundry tub.

3 Use the provided tie strap to secure the drain hose in place.

