

# WM3700H\_A

## 4.5 cu. ft. Front Load Washer

**12 Wash Programs**  
**6 Motion™ Technology**  
**Inverter Direct Drive Motor with 10-Year Warranty**  
**Steam Technology**  
**TWINWash™ Compatibility**  
**SmartThinQ® (Wi-Fi Enabled)**  
**SmartDiagnosis™**  
**ColdWash™ Option**  
**ENERGY STAR® Most Efficient 2018**  
**NeverRust™ Stainless Steel Drum**



Enjoy new ways to control your home with LG smart appliances

- Start the laundry while you're out shopping
- Get alerts when the cycle is finished
- Works with the LG SmartThinQ® app

SmartThinQ®

works with the Google Assistant

WORKS WITH alexa



SUMMARY	
Capacity (cu.ft.)	4.5 cu. ft.
Matching Electric Dryer	DLEX3700_
Matching Gas Dryer	DLGX3701_
Color	White (W), Graphite Steel (V)
APPEARANCE	
Hard Buttons	Yes
Touch Buttons	Yes
Dial-A-Cycle™	Yes
ENERGY	
ENERGY STAR® Most Efficient 2018	Yes
ENERGY STAR® Qualified	Yes
CEE Tier	2
IMEF	2.92
IWF	3.2
WASH PROGRAMS	
No. of Programs	12
	Normal, Heavy Duty, Bedding, Sanitary, Allergiene™, Tub Clean, Bright White, Perm. Press, Delicates, Towels, Speed Wash, Downloaded
WASH OPTIONS	
No. of Options	12
	Steam, Fresh Care, Prewash, Remote Start, Delay Wash, Wi-Fi, Add Garments, Cold-Wash, Water Plus, Extra Rinse, Rinse+Spin, Child Lock
WASH DETAILS	
No. of Wash/Rinse Temps	5
Wash/Rinse Temps	Extra Hot, Hot, Warm, Cold, Tap Cold
No. of Spin Speeds	5
Spin Speeds	Extra High, High, Medium, Low, No Spin
Max RPM	1300
Water Levels	Load Sensing
No. of Soil Levels	5

FABRIC CARE FEATURES	
Steam Technology	Yes
Allergiene™ Cycle	Yes
Sanitary Cycle	Yes
ColdWash™ Option	Yes
SenseClean™ System	Yes
CONVENIENCE FEATURES	
TrueBalance™ Anti-Vibration System	Yes
4 Tray Dispenser	Prewash, Main Wash (with liquid detergent cup), Bleach, Fabric Softener
LoDecibel™ Quiet Operation	Yes
End of Cycle Signal	Yes
LoadSense	Yes
Child Lock*	Yes
Auto Suds Removal	Yes
Leveling Legs	4 Adjustable Legs
Easy Loading TilTub™	Yes
SMARTTHINQ® TECHNOLOGY	
SmartDiagnosis™ (v3.0)	Yes
Wi-Fi	Yes
Energy Monitoring	Yes
Cycle Monitoring and Notification	Yes
MOTOR	
Motor Type	Inverter Direct Drive Motor
Axis	Horizontal
MATERIALS AND FINISHES	
NeveRust™ Stainless Steel Drum	Yes
Cabinet	PCM
Control Panel	Plastic
Top Plate	Painted
Door / Rim	Glass/Chrome
Door Cover	Clear Round Cover
All Available Colors	White (W), Graphite Steel (V), Cherry Red (R)
CERTIFICATION	
AFFA	Yes
NSF	Yes

POWER SOURCE	
Ratings	UL Listed
Electrical Requirements	120V, 10 Amps
Type	Electric
OPTIONS/ACCESSORIES	
Pedestal	WDP4_
Pedestal (WxHxD)	27 x 14 1/8 x 30 3/4 (50 9/16 D with door open)
LG Sidekick™ Pedestal Washer	WD100C_
LG Sidekick™ Pedestal Washer (WxHxD)	27 x 14 1/8 x 30 3/4 (50 9/16 D with door open)
Stacking Kit	KSTK1
DIMENSIONS	
Product (WxHxD)	27" x 39" x 30 1/4"
Depth with Door Open	(55" D with door open)
Carton (WxHxD)	29 23/32" x 41 27/32" x 31 17/32"
Weight (Product/Carton)	202.8 / 224.8 lbs.
LIMITED WARRANTY	
Parts and Labor	1 Year
Direct Drive Motor	10 Years
Drum	3 Years
UPC CODES	
WM3700HVA (Washer Graphite Steel)	048231024600
DLEX3700V (Electric Dryer Graphite Steel)	048231024921
DLGX3701V (Gas Dryer Graphite Steel)	048231024938
WDP4V (Pedestal Graphite Steel)	048231011198
WD100CV (LG SideKick™ Graphite Steel)	048231015165
WM3700HWA (Washer White)	048231024624
DLEX3700W (Electric Dryer White)	048231024969
DLGX3701W (Gas Dryer White)	048231024976
WDP4W (Pedestal White)	048231011211
WD100CW (LG SideKick™ White)	048231015172

# WM3700H\_A

## 4.5 cu. ft. Front Load Washer

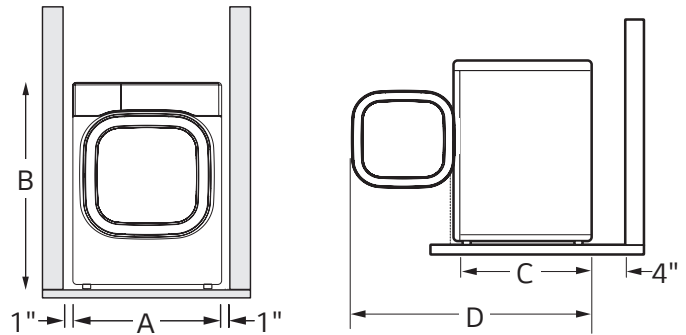
### QUICK INSTALL & CLEARANCES

For full installation directions/clearances please refer to the corresponding User Manual and Installation Guide.

#### DIMENSIONS

A Width	27"
B Height	39"
C Depth	30 1/4"
D Depth with Door Open	55"
Carton (WxHxD)	29 23/32" x 41 27/32" x 31 17/32"
<b>POWER SOURCE</b>	
Ratings	UL Listed
Electrical Requirements	120V, 10 Amps
Type	Electric

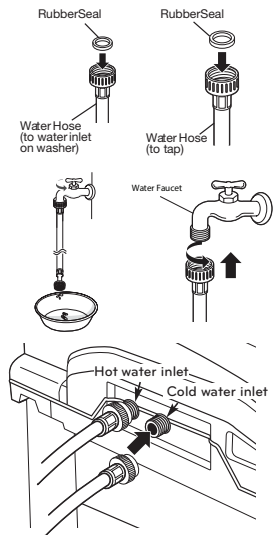
#### DIMENSIONS AND CLEARANCES



- Install the washing machine on a solid floor that is strong and rigid enough to support the weight of the washing machine, even when fully loaded, without flexing or bouncing. If the floor has too much flex, you may need to reinforce it to make it more rigid. If the floor is not solid, it may cause severe vibration and noise.

#### CONNECTING THE WATER LINES

- LG recommends the use of LG hoses. Any leaking, property damage, or damage to the washing machine caused by an improper installation or by the use of non-LG hoses is not covered under the terms of the LG warranty and is the sole responsibility of the customer and/or an installer.
- Water supply pressure must be between 20 psi and 120 psi (138-827 kPa). If the water supply pressure is more than 120 psi, a pressure reducing valve must be installed.
- Inspect the threaded fitting on each hose and make sure there is a rubber seal in place in both ends of each hose.
- Connect the water supply hoses to the HOT and COLD water faucets tightly by hand and then tighten another 2/3 turn with pliers.
- Always run a gallon or two of water through each inlet hose to flush dirt, scale and other debris out of the water lines. Doing so will help prevent future problems with clogged filter screens, and will also allow you to verify which water line is hot and which is cold.
- Attach the hot water line to the hot water inlet on the back of the washer. Attach the cold water line to the cold water inlet on the back of the washer. Tighten the fittings securely. Turn ON both faucets all the way and check for leaks at both ends of the hoses.



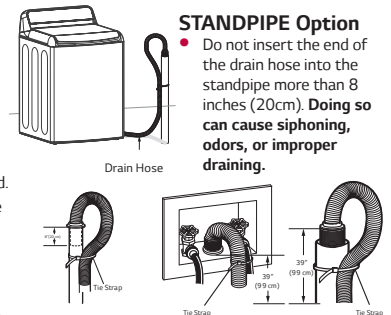
#### ELECTRICAL REQUIREMENTS

- The washer should be plugged into a 120-VAC, 60-Hz grounded 3-prong outlet. Plug in the washer. Improper connection of the equipment-grounding conductor can result in risk of electric shock. Check with a qualified electrician or service technician if you are in doubt as to whether the appliance is properly grounded. Do not modify the plug provided with the appliance. If it does not fit the outlet, have a proper outlet installed by a qualified electrician. Failure to follow these warnings can cause serious injury, fire, electrical shock, or death.
- The power outlet must be within 60 inches (1.5 m) of either side of the washer.
- The appliance and outlet must be positioned so that the plug is easily accessible.
- Do not overload the outlet with more than one appliance.
- The outlet must be grounded in accordance with current wiring codes and regulations.
- Time-delay fuse or circuit breaker is recommended.
- It is the personal responsibility and obligation of the product owner to have a proper outlet installed by a qualified electrician.



#### CONNECTING THE DRAIN HOSE

- The drain hose should always be properly secured. Failure to properly secure the drain hose can result in flooding and property damage.
- The drain must be installed in accordance with any applicable local codes and regulations.
- Make sure that the drain hose is not stretched, pinched, crushed, or kinked.
- Normal height of the end of the hose should be approximately 35"-47" (0.9-1.2 m) from the floor.
- Do not install the end of the drain hose lower than 29 in. (73.7 cm) or higher than 96 in. (243.8 cm) above the bottom of the washer or more than 60 in. (152.4 cm) away from the washer.
- Never create an airtight seal between the hose and the drain with tape or other means. If no air gap is present, water can be siphoned out of the tub resulting in poor wash/rinse performance or clothing damage.



#### LAUNDRY TUB Option

- Do not use this drain hose with a floor drain. The end of the drain hose must be at least 29 inches above the floor for proper draining to occur.