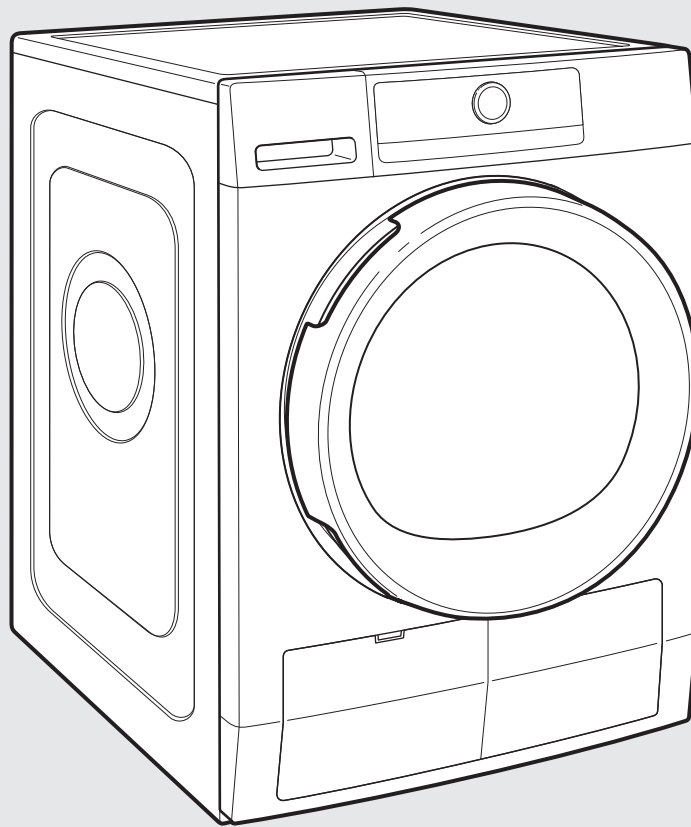




# Use & Care Guide Guide d'utilisation et d'entretien

## Heat Pump Dryer Sécheuse avec pompe à chaleur



Para obtener acceso al Manual de uso y cuidado en español, o para obtener información adicional acerca de su producto, visite: [www.whirlpool.com](http://www.whirlpool.com).

If you have any problems or questions, visit us at [www.whirlpool.com](http://www.whirlpool.com)  
Pour tout problème ou toute question, consulter [www.whirlpool.ca](http://www.whirlpool.ca)

W10858718B  
W10858720B - SP



## Table of Contents

<b>DRYER SAFETY</b> .....	<b>2</b>
<b>OPERATING INSTRUCTIONS</b> .....	<b>4</b>
ACCESSORIES .....	4
HEAT PUMP TECHNOLOGY .....	5
CONTROL PANEL AND FEATURES .....	6
PROGRAM/CYCLE GUIDE .....	7
USING YOUR DRYER .....	9
DRYER CARE .....	12
<b>INSTALLATION INSTRUCTIONS</b> .....	<b>14</b>
INSTALLATION REQUIREMENTS .....	14
LOCATION REQUIREMENTS .....	15
DRAIN SYSTEM .....	16
ELECTRICAL REQUIREMENTS – U.S.A. ONLY .....	17
ELECTRIC DRYER POWER HOOKUP – CANADA ONLY .....	18
ELECTRIC INSTALLATION – U.S.A. ONLY .....	18
LEVEL DRYER .....	24
COMPLETE INSTALLATION CHECKLIST .....	24
DOOR REVERSAL (OPTIONAL) .....	25
<b>TROUBLESHOOTING</b> .....	<b>30</b>
<b>WARRANTY</b> .....	<b>35</b>
<b>ASSISTANCE OR SERVICE</b> .....	<b>Back Cover</b>

## Table de matières

<b>SÉCURITÉ DE LA SÈCHEUSE</b> .....	<b>36</b>
<b>INSTRUCTIONS D'UTILISATION</b> .....	<b>37</b>
ACCESSOIRES .....	37
TECHNOLOGIE DE POMPE À CHALEUR .....	38
TABLEAU DE COMMANDE ET CARACTÉRISTIQUES .....	39
GUIDE DE PROGRAMMES .....	40
UTILISATION DE LA SÈCHEUSE .....	42
ENTRETIEN DE LA SÈCHEUSE .....	45
<b>INSTRUCTIONS D'INSTALLATION</b> .....	<b>47</b>
EXIGENCES D'INSTALLATION .....	47
EXIGENCES D'EMPLACEMENT .....	48
SYSTÈME DE VIDANGE .....	49
SPÉCIFICATIONS ÉLECTRIQUES – ÉTATS-UNIS SEULEMENT .....	50
RACCORDEMENT DE LA SÈCHEUSE ÉLECTRIQUE – CANADA UNIQUEMENT .....	51
INSTALLATION ÉLECTRIQUE – ÉTATS-UNIS SEULEMENT .....	51
RÉGLAGE DE L'APLOMB DE LA SÈCHEUSE .....	57
LISTE DE VÉRIFICATION POUR INSTALLATION TERMINÉE .....	57
INVERSION DE LA PORTE (FACULTATIF) .....	58
<b>DÉPANNAGE</b> .....	<b>63</b>
<b>GARANTIE</b> .....	<b>66</b>
<b>ASSISTANCE OU SERVICE</b> .....	<b>Couverture arrière</b>

## DRYER SAFETY

### Your safety and the safety of others are very important.

We have provided many important safety messages in this manual and on your appliance. Always read and obey all safety messages.



This is the safety alert symbol.

This symbol alerts you to potential hazards that can kill or hurt you and others.

All safety messages will follow the safety alert symbol and either the word “DANGER” or “WARNING.”

These words mean:

**⚠ DANGER**

You can be killed or seriously injured if you don't immediately follow instructions.

**⚠ WARNING**

You can be killed or seriously injured if you don't follow instructions.

All safety messages will tell you what the potential hazard is, tell you how to reduce the chance of injury, and tell you what can happen if the instructions are not followed.



## WARNING - “Risk of Fire”

- Clothes dryer installation must be performed by a qualified installer.
- Install the clothes dryer according to the manufacturer's instructions and local codes.
- To reduce the risk of severe injury or death, follow all installation instructions.
- Save these instructions.

## IMPORTANT SAFETY INSTRUCTIONS

**WARNING:** To reduce the risk of fire, electric shock, or injury to persons when using the dryer, follow basic precautions, including the following:

- Read all instructions before using the dryer.
- Do not place items exposed to cooking oils in your dryer. Items contaminated with cooking oils may contribute to a chemical reaction that could cause a load to catch fire. .
- Do not dry articles that have been previously cleaned in, washed in, soaked in, or spotted with gasoline, dry-cleaning solvents, or other flammable or explosive substances as they give off vapors that could ignite or explode.
- Do not allow children to play on or in the dryer. Close supervision of children is necessary when the dryer is used near children.
- Before the dryer is removed from service or discarded, remove the doors to the drying compartment.
- Do not reach into the dryer if the drum is moving.
- Do not install or store the dryer where it will be exposed to the weather.
- Do not tamper with controls.
- Do not repair or replace any part of the dryer or attempt any servicing unless specifically recommended in this Use and Care Guide or in published user-repair instructions that you understand and have the skills to carry out.
- Do not use fabric softeners or products to eliminate static unless recommended by the manufacturer of the fabric softener or product.
- Do not use heat to dry articles containing foam rubber or similarly textured rubber-like materials.
- Clean lint screen before or after each load.
- Keep the grille on the rear of the dryer free from the accumulation of lint, dust, and dirt.
- The interior of the appliance should be cleaned periodically by qualified service personnel.
- See “Electrical Requirements” in “Installation Instructions” for grounding instructions.

## SAVE THESE INSTRUCTIONS

State of California Proposition 65 Warnings:

**WARNING:** This product contains one or more chemicals known to the State of California to cause cancer.

**WARNING:** This product contains one or more chemicals known to the State of California to cause birth defects or other reproductive harm.

## IMPORTANT SAFETY INSTRUCTIONS

When discarding or storing your old clothes dryer, remove the door.

## SAVE THESE INSTRUCTIONS

# OPERATING INSTRUCTIONS

## Accessories

### INSTALLATION & MAINTENANCE ACCESSORIES

**FACTORY CERTIFIED PARTS** – these three words represent quality parts and accessories designed specifically for your appliance. Time tested engineering that meets our strict quality specifications.

### FACTORY CERTIFIED PARTS

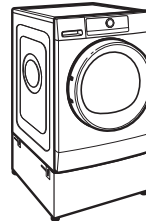
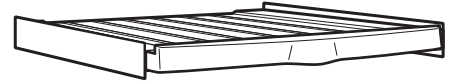
Accessories designed for your appliance:

Enhance your new washer and dryer with the following genuine Whirlpool accessories. For more information on options and ordering, call **1-866-698-2538**, or visit us at: [www.whirlpool.com/accessories](http://www.whirlpool.com/accessories). In Canada, call **1-800-688-2002** or visit us at [www.whirlpoolparts.ca](http://www.whirlpoolparts.ca).



#### **Stack Kit**

If space is at a premium, the stack kit allows the dryer to be installed on top of the washer.



#### **12" Pedestal**

Color-matched pedestals raise the washer and dryer to a more comfortable working height.

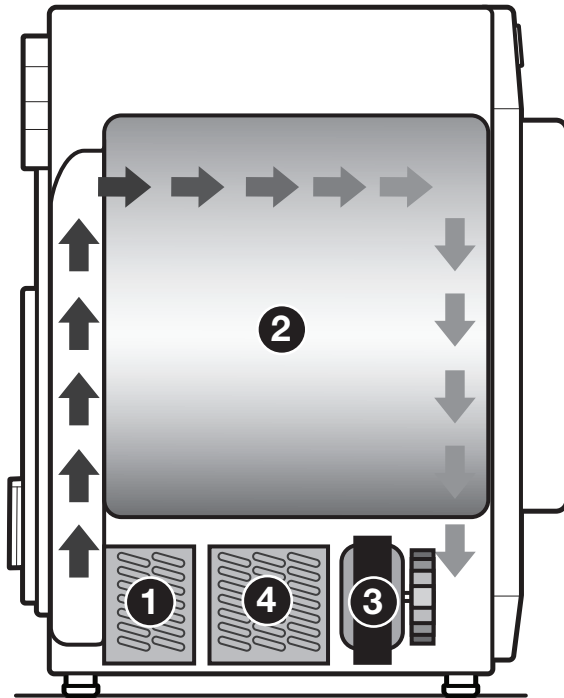


# Heat Pump Technology

A typical dryer uses large amounts of energy; this dryer consumes a fraction of the energy by recycling and reclaiming heat. This dryer is a ventless heat pump dryer that uses a refrigeration system to dry and recycle the same air. The laundry is dried with low temperatures; therefore it may feel cooler than expected during and after the drying process.

The heat pump dryer's heating phase is longer than in traditional dryers. If possible, do not open the dryer door during the process as heat can escape from the drum and can make longer drying times.

## Heat Pump Unit



- ❶ Condenser is heating up the air
- ❷ Drying
- ❸ Air blower
- ❹ Evaporator is drying air and discharging condensation water

## Benefits of a Heat Pump

- **ENERGY:** Regenerates energy to reduce overall energy consumption.
- **PERFORMANCE:** Allows flexibility to manage drying performance and energy savings.
- **FABRIC CARE:** Capability to use less heat than vented dryer.
- **VENTLESS DESIGN:** Allows installation in more locations throughout the home.

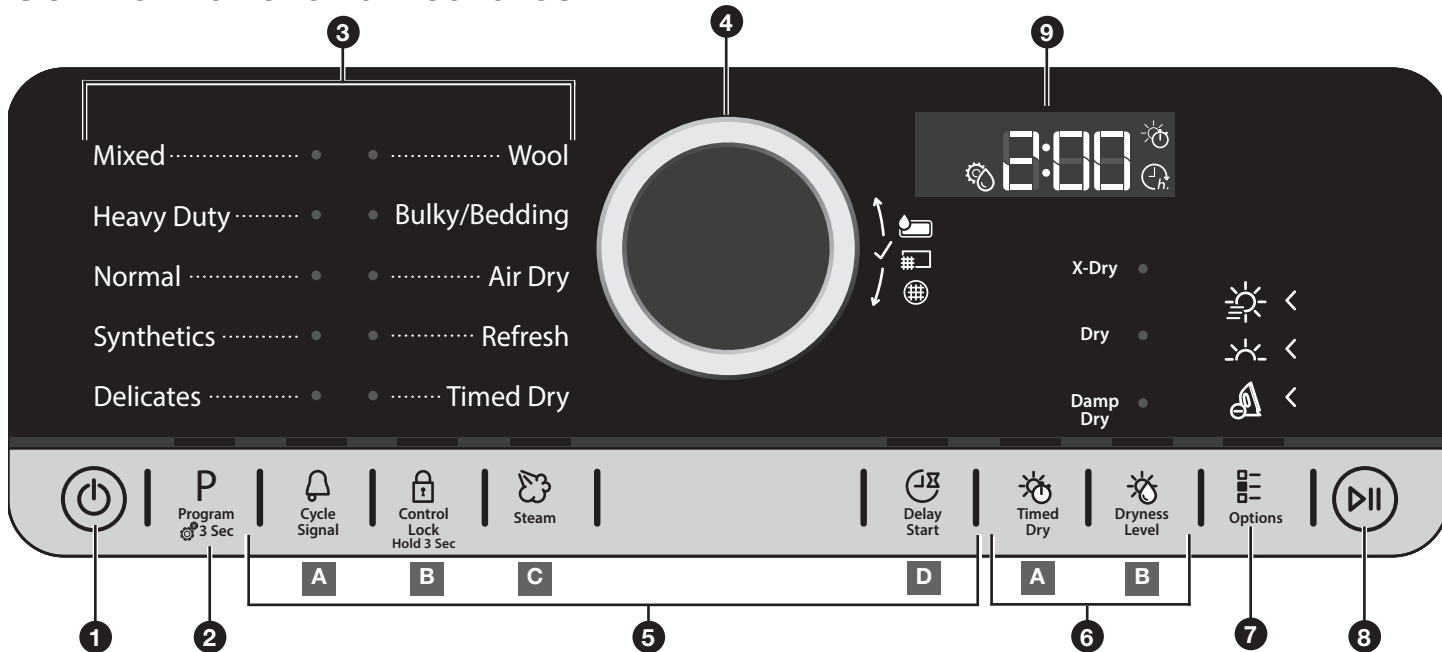
## New Sounds from a Heat Pump

- Dryer runs on a compressor like your refrigerator and you may notice a hum from the compressor.
- The water from wet clothes is pumped out to your drain or water tank. You may notice a gurgling sound occasionally.

## Use Automatic Cycles for better fabric care and energy savings

Use the Automatic Cycles to provide the most energy savings and enhanced fabric care from the dryer. During Automatic Cycles, heat pump unit temperature and moisture level are sensed in the load. This sensing occurs throughout the drying cycle and the dryer shuts off when the load reaches the selected dryness. Use the NORMAL dryness level to provide optimal energy savings. With Timed Dry, the dryer runs the amount of time set and can result in shrinkage, wrinkling, and static due to over-drying. Use Timed Dry for the occasional damp load that needs a little more drying time.

# Control Panel and Features



## 1 POWER BUTTON

Touch until the indicator above the Program button lights up. Symbols appear on the control panel and sounds are played.

## 2 PROGRAM (cycle)

When you turn on the dryer, the light above this button will turn on. The program settings which you used last will appear on the control panel. This button also lets you set water conductivity (see “Adapting the dryer to water conductivity” for more information).

## 3 PROGRAM/CYCLE AREA

An indicator next to each program/cycle lights up as you use the knob to scroll through the list. Press the knob when the indicator next to the desired program/cycle lights up.

## 4 CONTROL KNOB

Turn the knob to select a program/cycle for your laundry load, change dryness level, set drying time or delay start time, or select Other Options. Press the knob to confirm your selection.

## 5 OPTIONS

Touch to activate additional dry options or additional features on the dryer before touching the Start/Pause button. Additional dry options or additional features selected after touching the Start/Pause button may not be activated.

To return to factory default cycle settings, unplug the dryer for 30 seconds, then plug back in.

**NOTE:** Not all options are available with all cycles.

### A Cycle Signal

Use to turn on or off the signal indicating the end of a drying cycle.

**NOTE:** Touch and hold the Cycle Signal button for about one second to turn sounds on or off.

### B Control Lock

Use to lock the controls of the dryer and avoid an accidental change in cycle options or preferences during a drying cycle.

Touch and hold CONTROL LOCK to lock or unlock the controls of the dryer.

**NOTE:** The Control Lock function may be enabled when recovering from a power failure. To unlock the control, touch and hold CONTROL LOCK.

### C Steam

Touch to activate the Steam option, which adds humidity to the end of the Heavy Duty, Normal, or Synthetics cycle to help smooth out wrinkles.

### D Delay Start

Touch to start your program/cycle at a later time.

## 6 SETTINGS

### A Timed Dry

Sets the length of a Timed Dry cycle.

### B Dryness Level

When using some Automatic Cycles, you may select a Dryness Level based on the type of load you are drying.

**NOTE:** Dryness Level is for use with Automatic Cycles only.

## 7 OTHER OPTIONS

### Save Time

This option provides quicker drying.

### Gentle

This option dries laundry more gently by reducing the drying temperature.

### Wrinkle Shield™

This option helps to avoid creasing if you cannot unload the laundry soon after the program/cycle ends. The dryer starts to tumble the laundry periodically a few minutes after the program/cycle ends. This tumbling will last up to approximately 12 hours. Tumbling can be stopped any time by touching the Power button to turn off the dryer.

## 8 START/PAUSE BUTTON

Touch to start, or touch and hold to pause, a program/cycle.

## 9 LED DISPLAY

When you select a program/cycle, its default settings will light up and the Estimated Time Remaining will be displayed. Factors such as load size and dryness level may affect the time shown in the display.

### Symbols



Drying time



Delay start



Conductivity adjustment

## STATUS INDICATORS (next to control knob)

These indicators will light up to alert you when certain conditions occur.

### Symbols



Water tank full (see “Empty Water Tank” in “Using Your Dryer”)



Clean bottom filter (see “Cleaning the Bottom Filter” in “Dryer Care”)



Clean door filter (see “Cleaning the Lint Screen” in “Dryer Care”)

## Program/Cycle Guide – Automatic Cycles

Settings and options shown in **bold** are default settings for that cycle. If settings are changed, the new settings will be remembered. If there is a power failure, settings will return to the default. Not all settings and options are available on each cycle.

### Load Size Recommendations

For best results, follow the wet load size recommendations noted for each cycle.



**Small load:** Fill the dryer drum with 3–4 items, not more than ¼ full.



**Large load:** Fill the dryer drum up to about ¾ full. Do not pack tightly. Items need to tumble freely.



**Medium load:** Fill the dryer drum up to about ½ full.

### Use Automatic Cycles for better fabric care and energy savings

The dryer senses moisture in the load or air temperature and shuts off when the load reaches the selected dryness level. Use the NORMAL dryness level to provide optimal energy savings.


Items to Dry:	Cycle:	Dryness Level:	Available Options:	Cycle Details:
Mixed laundry made of cotton, linen, or synthetic fibers and blends	Mixed	<b>Dry</b>	Wrinkle Shield™	Uses Medium heat to dry large loads of mixed fabrics and items.
Heavyweight items or heavy work clothes	Heavy Duty	<b>Dry</b>	Steam Wrinkle Shield™ Gentle	Offers stepped drying, starting with High heat followed by Medium heat for enhanced fabric care and energy savings.
Work clothes, mixed cottons, corduroys	Normal	Extra Dry <b>Dry</b> Damp Dry	Steam Dryness Level Wrinkle Shield™ Gentle Save Time	Uses Medium heat to dry large loads of cotton or mixed fabrics and items. Tumbling reverses intermittently to redistribute the load for thorough drying.
Normally soiled laundry made of artificial fibers or cotton blends	Synthetics	Extra Dry <b>Dry</b> Damp Dry	Steam Dryness Level Wrinkle Shield™ Gentle	Uses lower heat than the Normal cycle. Tumbling reverses intermittently to redistribute the load for thorough drying.
Undergarments, blouses, lingerie, performance wear	Delicates	<b>Dry</b>	Wrinkle Shield™	Uses Extra Low heat to gently dry delicate items.
Wool items labelled with the Woolmark logo and identified as machine washable, as well as textiles made of silk (see care label recommendations), linen, wool, and viscose marked as hand-wash only	Wool	<b>Dry</b>	N/A	Uses Low heat to provide a short, finishing touch to items that have been air-dried.
Comforters, pillows, sheets	Bulky/ Bedding	<b>Dry</b>	Wrinkle Shield™	Use for drying large, bulky items; do not overfill dryer drum. Partway through the cycle, the signal will sound to indicate when it is time to rearrange items for optimal drying.


## Program/Cycle Guide – Adjustable Time Cycles


Settings and options shown in **bold** are default settings for that cycle. If settings are changed, the new settings will be remembered. If there is a power failure, settings will return to the default. Not all settings and options are available on each cycle.

### Load Size Recommendations

For best results, follow the wet load size recommendations noted for each cycle.

 **Small load:** Fill the dryer drum with 3–4 items, not more than ¼ full.



 **Large load:** Fill the dryer drum up to about ¾ full. Do not pack tightly. Items need to tumble freely.

 **Medium load:** Fill the dryer drum up to about ½ full.

### Adjust drying time on Timed Dry Cycles


When you select the Timed Dry or Air Dry cycle, the time appears in the display. Use the knob to set the drying time from 10 to 180 minutes (3 hours).



Items to Dry:	Cycle:	Available Options:	Cycle Details:
Any load <b>NOTE:</b> Line dry foam, rubber, plastic, or heat-sensitive fabrics.	Air Dry	Wrinkle Shield™	 For airing out, refreshing, and loosening up laundry without heating.
Any load	Timed Dry	Wrinkle Shield™	 Use to dry items with low heat to a damp level for items that do not require an entire drying cycle.

## Program/Cycle Guide – Refresh Cycle

The Refresh cycle is designed for use with dry loads to loosen wrinkles, reduce odors, and refresh fabrics.

Items to Refresh:	Cycle:	Available Options:	Cycle Details:
Shirts, blouses, and slacks	Refresh	<b>Dry</b>	 Use to reduce odors and light wrinkles. Do not add dryer sheets. Before loading laundry into the drum, spray it with a maximum of 6.8 oz (200 ml) water.

# Using Your Dryer

## ⚠️ WARNING



### Explosion Hazard

Keep flammable materials and vapors, such as gasoline, away from dryer.

Do not dry anything that has ever had anything flammable on it (even after washing).

Failure to follow these instructions can result in death, explosion, or fire.

**WARNING:** To reduce the risk of fire, electric shock, or injury to persons, read the IMPORTANT SAFETY INSTRUCTIONS before operating this appliance.

## ⚠️ WARNING



### Fire Hazard

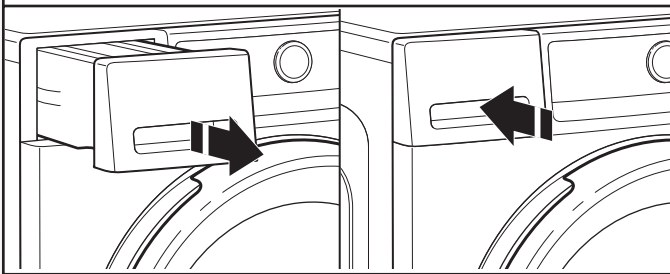
No washer can completely remove oil.

Do not dry anything that has ever had any type of oil on it (including cooking oils).

Do not dry items containing foam, rubber, or plastic in this dryer.

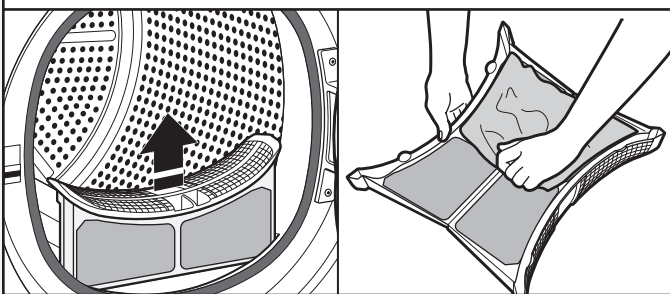
Failure to follow these instructions can result in death or fire.

## 1. Empty water tank



Hold the handle and carefully pull out the water tank. Holding the full water tank with both hands, empty out the water. Then push the container back into place. Make sure that it is properly inserted.

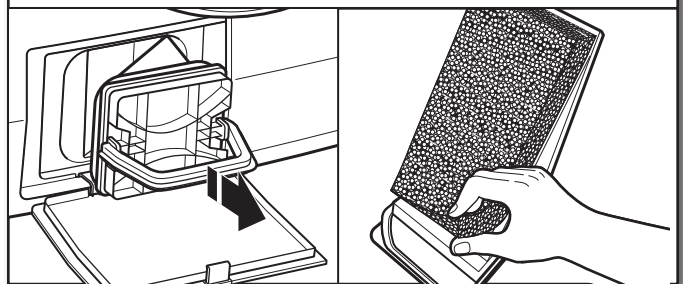
## 2. Clean door lint screen



Clean the lint screen before each load. Pull the lint screen straight up and out. Press tab down and open lint screen. Roll lint off the screen with your fingers. Push the lint screen firmly back into place.

**IMPORTANT:** Clean lint screen before each dryer use as a screen blocked with lint will increase drying time.

## 3. Clean bottom filter

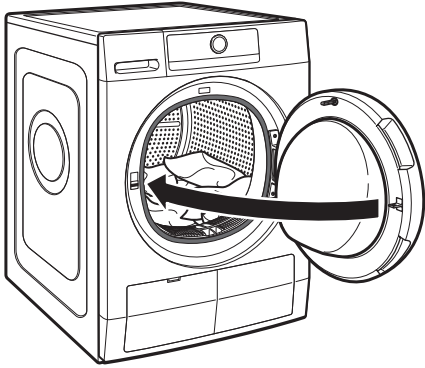


Clean the bottom filter after every 5 cycles. Open the filter door on the bottom of the dryer and grab the handle to pull out filter. Remove the foam from the bottom filter. Clean the filter foam and filter by hand or rinse with water – do not wash the filter foam in a washer. Wring out the filter foam – do not insert it in the bottom filter dripping wet. For additional cleaning information, see “Dryer Care.”

Replace the filter foam on the bottom filter. Replace the bottom filter in the filter chamber. Fold the filter handle down and close the bottom door.

**NOTE:** To turn off the “Clean bottom filter” (🔴) status indicator, the filter must be removed and replaced with the Power button touched ON and no cycle running.

## 4. Load dryer



Open the door by pulling on the handle. Place laundry in the dryer. Add a dryer sheet to wet load if desired. Close the door.

**IMPORTANT:** Do not tightly pack the dryer. Items need to tumble freely. Tightly packing can lead to poor drying performance and may increase wrinkling and tangling.

## 5. Touch Power button to turn on dryer



## 6. Select program/cycle

Mixed ..... Wool  
Heavy Duty ..... Bulky/Bedding  
Normal ..... Air Dry  
Synthetics ..... Refresh  
Delicates ..... Timed Dry



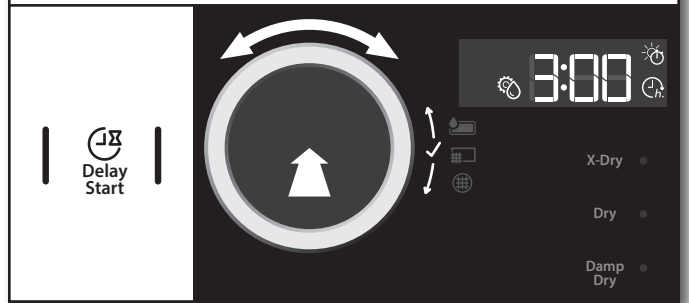
Turn the knob to select a program/cycle for your laundry load. As you turn the knob, an indicator light will light up next to the program/cycle names to the left of the knob. Stop turning when the indicator next to the desired program/cycle lights up. Press the knob to confirm your selection.

See "Program/Cycle Guide" for details on program/cycle features.

## 7. Select options, if desired



## 8. Setting a delayed start, if desired



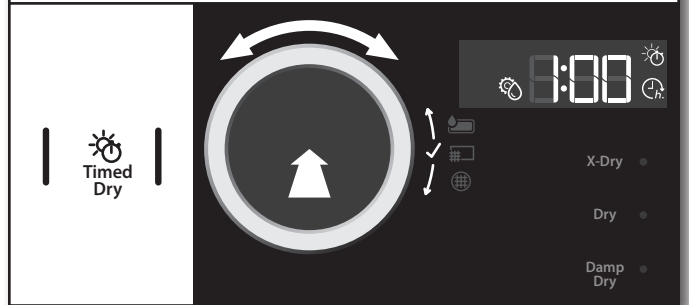
If you do not want to begin a cycle immediately, you may choose the Delay Start option. This will delay the start of the drying cycle by up to 23 hours.

### To set a Delayed Start:

1. Touch the Delay Start button to set the desired delay time.
2. Turn the knob to the number of hours you want to delay the start of the drying cycle. The delay time will appear on the display. Press the knob to confirm your selection.

After touching the Start/Pause button, the time will count down until the delay time has been reached. The dryer will start and the display will show the remaining time in the cycle.

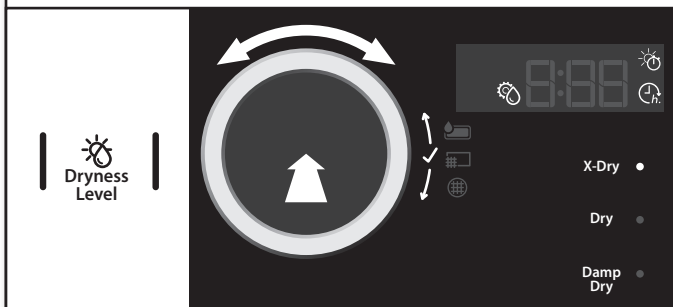
## 9. If Air Dry or Timed Dry was selected, set drying time



When you select a timed cycle, the indicator light above "Timed Dry" lights up. Turn the knob to select the desired time, up to 180 minutes. Press the knob to confirm your selection.



## 10. If an automatic cycle was selected, set dryness level



When you select an automatic cycle, the indicator light above “Dryness Level” lights up. Turn the knob to select the desired level. As you turn the knob, an indicator light will light up next to the dryness levels to the right of the knob. Stop turning when the indicator next to the desired level lights up. Press the knob to confirm your selection.

## 11. Select any additional options\*



After setting drying time or dryness level, the indicator light above “Options” lights up. Turn the knob to select the desired option(s). As you turn the knob, the option symbols above the Options button will light up one at a time as you turn the knob. Stop turning when the symbol of the desired option lights up. Press the knob to confirm your selection.

\*Not all options and settings are available with all program/cycles. See “Program/Cycle Guide” for available options and settings.

## 12. Touch Start/Pause button to begin drying program/cycle



Touch the Start/Pause button to start the drying program/cycle. To pause a program/cycle in progress, touch the Start/Pause button once, then touch again to continue the program/cycle. To cancel a program/cycle, touch the Power button.

## 13. Touch Power button to turn off dryer after program/cycle ends



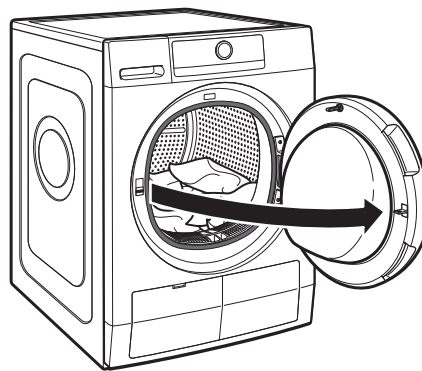
When the display indicates that the cycle has finished, touch the Power button to turn off the dryer. Open the door and take out your laundry.

To save energy, the dryer turns off automatically about a quarter hour after the program/cycle ends.

If not turned off right after the program/cycle ends, the dryer will tumble the laundry for about 10 minutes to prevent wrinkling. The display shows an animation.

**NOTE:** If the Power button is touched and held, a countdown will be displayed. At the end of the countdown, any errors will be erased and the program/cycle will restart.

## 14. Remove garments promptly after cycle is finished



Promptly remove garments after cycle has completed to reduce wrinkling.

## Adapting the dryer to water conductivity

The drying results are affected by the conductivity of the water used during washing. If, by modifying the available dryness levels (damp dry, dry, and extra dry), you are not satisfied with the final drying results, you can adapt the water conductivity level. The dryer comes with preset level 3. Choose between level 1 (most damp results) and 5 (most dry results).

1. Touch and hold the Program button. The display will count down until the Conductivity Adjustment symbol on the display flashes and the current setting is shown.
2. Turn the knob to adjust the level (1-2-3-4-5). Press the knob to confirm your selection.



**NOTE:** This new setting will affect all future cycles. If the desired drying results are attained, water conductivity will not require further adjustment.

# Dryer Care

## CLEANING THE DRYER LOCATION

Keep dryer area clear and free from items that would block the airflow for proper dryer operation. This includes clearing piles of laundry in front of the dryer.

## ⚠️ WARNING



### Explosion Hazard

Keep flammable materials and vapors, such as gasoline, away from dryer.

Place dryer at least 18 inches (460 mm) above the floor for a garage installation.

Failure to do so can result in death, explosion, or fire.

## CLEANING THE DRYER INTERIOR

### To clean dryer drum:

1. Use a mild hand dish detergent mixed at a low concentration with very warm water, and rub with a soft cloth.
2. Rinse well with a wet sponge or towel.
3. Tumble a load of clean clothes or towels to dry drum  
OR  
Use a microfiber cloth and hot water in a spray bottle to clean the drum and a second microfiber towel to dry.

## REMOVING ACCUMULATED LINT

### From Inside the Dryer Cabinet

Lint should be removed every 2 years, or more often, depending on dryer usage. Cleaning should be done by a qualified appliance servicer.

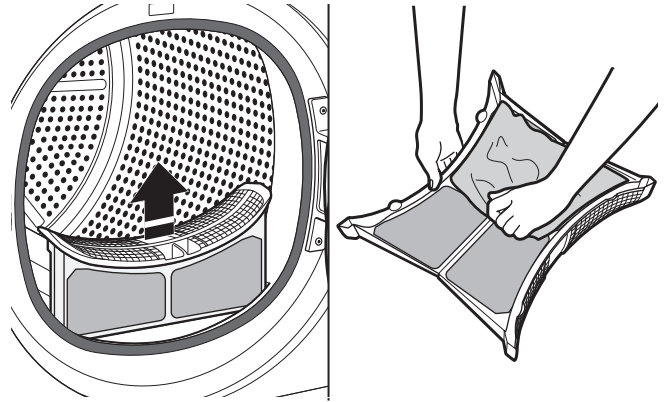
## CLEANING THE LINT SCREEN

### Clean lint screen after every load.

The lint screen is located in the door opening of the dryer. A screen blocked by lint can increase drying time.

### To clean:

1. Pull the lint screen straight up and out. Press tab down and open lint screen. Roll lint off the screen with your fingers.



2. Push the lint screen firmly back into place.

### IMPORTANT:

- Do not run the dryer with the lint screen loose, damaged, blocked, or missing. Doing so can cause overheating and damage to both the dryer and fabrics.

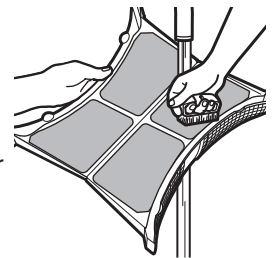
### As-needed cleaning

Laundry detergent and fabric softener residue can build up on the lint screen. This buildup can cause longer drying times for your clothes, or cause the dryer to stop before your load is completely dry.

Clean the lint screen with a nylon brush every 6 months, or more frequently, if it becomes clogged due to a residue buildup.

### To wash lint screen:

1. Roll lint off the screen with your fingers.
2. Wet both sides of lint screen with hot water.
3. Wet a nylon brush with hot water and liquid detergent. Scrub lint screen with the brush to remove residue buildup.
4. Rinse screen with hot water.
5. Thoroughly dry lint screen with a clean towel. Reinstall screen in dryer.



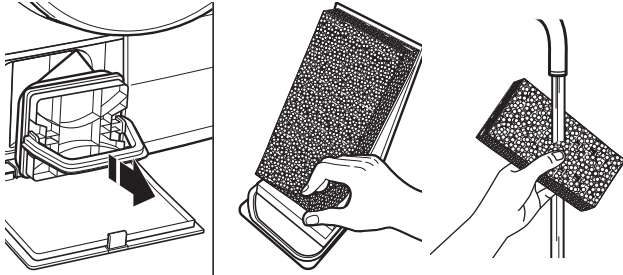


## CLEANING THE BOTTOM FILTER

### Clean bottom filter after every 5 loads.

The filter is located in bottom corner of dryer.

1. Open the filter door on the bottom of the dryer and grab the handle to pull out the filter. Remove the foam from the bottom filter. Clean the filter foam and the filter by hand or rinse with water – do not wash the filter foam in a washer. Wring out the filter foam – do not insert it in the bottom filter dripping wet.



2. Replace the filter foam on the bottom filter. Replace the bottom filter in the filter chamber. Fold the filter handle down and close the bottom door.

### IMPORTANT:

- Do not run the dryer with the filter loose, damaged, blocked, or missing. Doing so can cause overheating and damage to both the dryer and fabrics.

## ⚠ WARNING



### Electrical Shock Hazard

**Disconnect power before servicing.**

**Replace all parts and panels before operating.**

**Failure to do so can result in death or electrical shock.**

## NON-USE, STORAGE, AND MOVING CARE (cont.)

### For direct-wired dryers:

1. Empty water tank.
2. Disconnect power.
3. Disconnect wiring.
4. Make sure leveling legs are secure in dryer base.
5. Use tape to secure dryer door.

### Reinstalling the Dryer

Follow the "Installation Instructions" section to locate, level, and connect the dryer.

## NON-USE, STORAGE, AND MOVING CARE

### Non-Use or Storage Care

If you will be on vacation or not using your dryer for an extended period of time, you should:

1. Empty water tank.
2. Unplug dryer or disconnect power.
3. Clean lint screen. See "Cleaning the Lint Screen."
4. In colder climates, store your dryer where it will not freeze. Because some water may stay in the hose, freezing can damage your dryer.

### Moving Care

#### For power supply cord-connected dryers:

1. Empty water tank.
2. Unplug the power supply cord.
3. Make sure leveling legs are secure in dryer base.
4. Use tape to secure dryer door.

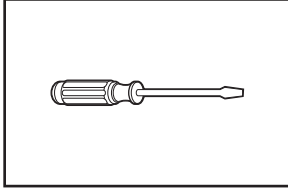
# INSTALLATION INSTRUCTIONS

## Installation Requirements

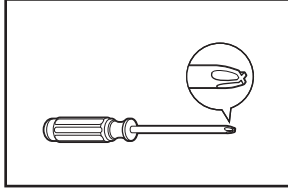
### TOOLS AND PARTS

Gather the required tools and parts before starting installation.

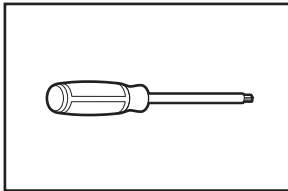
#### Tools needed:



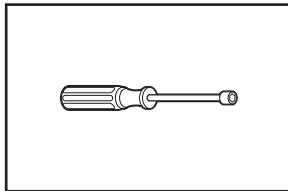
Flat-blade screwdriver



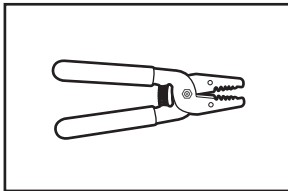
#2 Phillips screwdriver



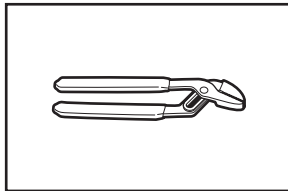
Min. 8" long TORX® T20<sup>†</sup> screwdriver



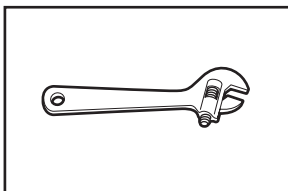
1/4" and 5/16" nut driver (recommended)



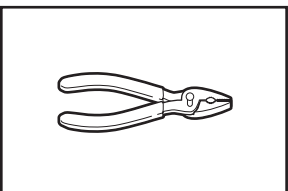
Wire stripper (direct wire installations)



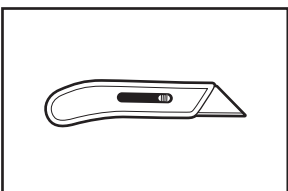
Channel locks



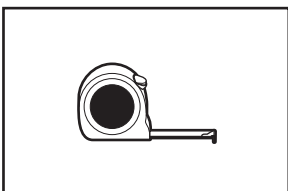
Adjustable wrench that opens to 1" (25 mm) or hex-head socket wrench



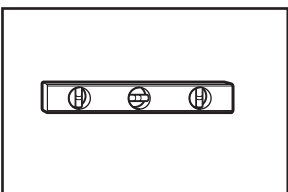
Pliers



Utility knife



Tape measure



Level

#### If using a power supply cord:

Use a UL-listed power supply cord kit marked for use with clothes dryers. The kit should contain:


- A UL-listed 30-amp power supply cord, rated 120-/240-volt minimum. The cord should be type SRD or SRDT and be at least 4 ft. (1.22 m) long. The wires that connect to the dryer must end in ring terminals or spade terminals with upturned ends.

**Additional Accessories:** (Not supplied with dryer)  
Refer to "Operating Instructions" for information about accessories available for your dryer.

# Location Requirements

Check code requirements. Some codes limit, or do not permit, installing dryer in garages, closets, mobile homes, or sleeping quarters. Contact your local building inspector.

**⚠ WARNING**



**Explosion Hazard**

**Keep flammable materials and vapors, such as gasoline, away from dryer.**

**Place dryer at least 18 inches (460 mm) above the floor for a garage installation.**

**Failure to do so can result in death, explosion, or fire.**

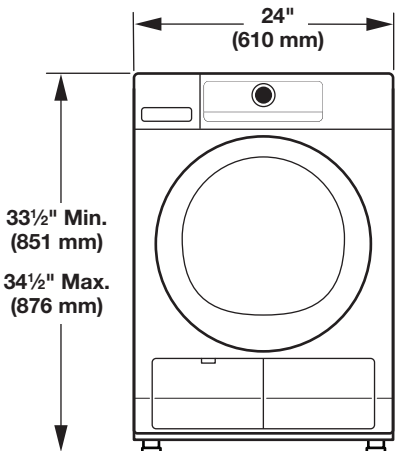
### You will need:

- A separate 30-amp circuit.
- If using power supply cord, a grounded electrical outlet located within 2 ft. (610 mm) of either side of dryer. See "Electrical Requirements."
- Floor must support dryer weight of 200 lbs. (90.7 kg). Also consider weight of companion appliance.
- Level floor with maximum slope of 1" (25 mm) under entire dryer. If forward slope is greater than 1" (25 mm), water could run out from front of filter. If not level, clothes may not tumble properly and automatic sensor cycles may not operate correctly.
- For garage installation, place dryer at least 18" (460 mm) above floor. If using a pedestal, you will need 18" (460 mm) to bottom of dryer.

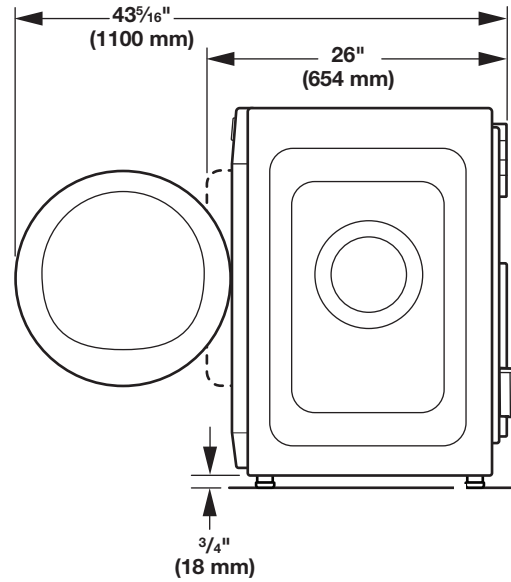
**IMPORTANT:** Do not operate, install, or store dryer where it will be exposed to water, weather, or at temperatures below 40°F (4°C). Lower temperatures may cause dryer not to shut off at end of automatic sensor cycles, resulting in longer drying times.

### DRYER DIMENSIONS

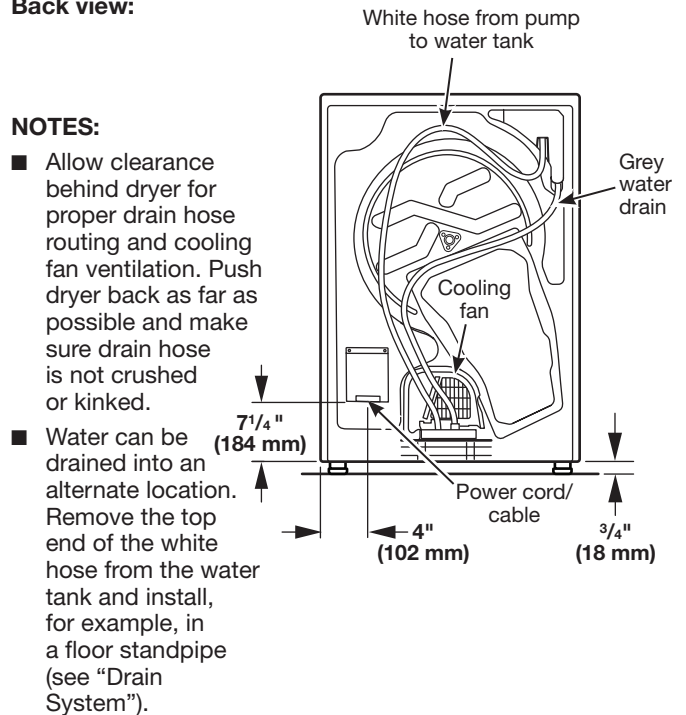
#### Front view:



#### Side view:



#### Back view:



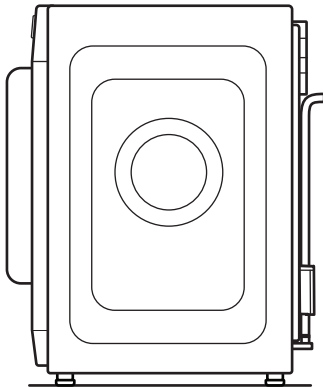
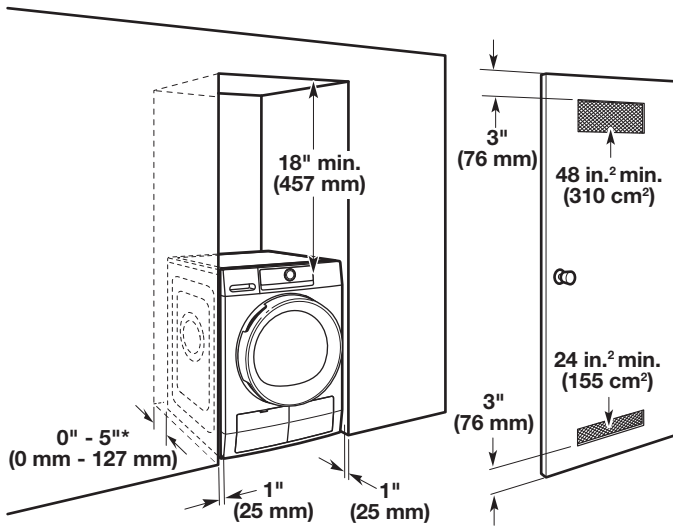
**IMPORTANT:** Do not block cooling fan as your dryer may not operate properly.

**Installation spacing for recessed area or closet installation**

All dimensions show recommended and minimum spacing allowed.

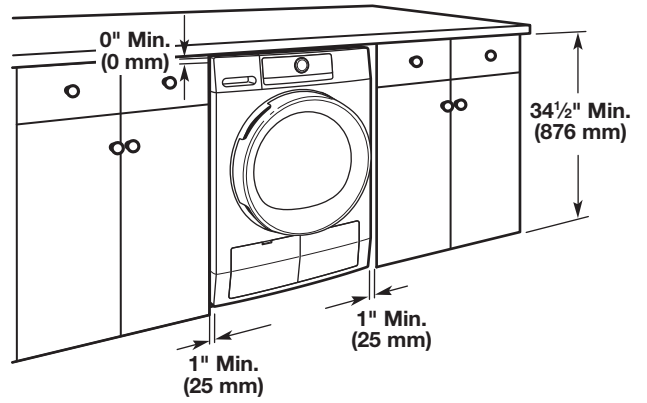
- Additional spacing should be considered for ease of installation and servicing.
- Additional clearances might be required for wall, door, floor, moldings, and drain system.
- Additional spacing should be considered on all sides of the dryer to reduce noise transfer.
- For closet installation with a door, minimum ventilation openings in the top and bottom of the door are required. Louvered doors with equivalent ventilation openings are acceptable.
- Companion appliance spacing should also be considered.

**Recommended installation clearances (dryer only):**



**\*NOTE:** 0"-5" (0 mm-127 mm) spacing is allowed behind dryer, providing drain hose is not kinked or pinched.

**Custom under-counter installation:**



**Mobile home – Additional installation requirements:**

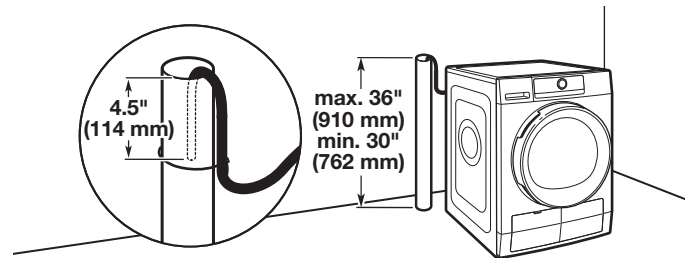
This dryer is suitable for mobile home installations. The installation must conform to the Manufactured Home Construction and Safety Standard, Title 24 CFR, Part 3280 (formerly the Federal Standard for Mobile home construction and Safety, Title 24, HUD Part 280) or Standard CAN/CSA-Z240 MH.

**Drain System**

Drain system can be installed by routing the white hose to a floor drain, wall standpipe, floor standpipe, or laundry tub instead of to the water tank. Select the method you need.

**IMPORTANT:** To avoid siphoning, only 4.5" (114 mm) of drain hose should be inside standpipe; do not force excess hose into standpipe. Always secure drain hose with a cable tie (not supplied).

**Floor standpipe drain system**



Minimum diameter for a standpipe drain: 2" (51 mm). Top of standpipe must be at least 30" (762 mm) high; install no higher than 36" (910 mm) from bottom of dryer.

# Electrical Requirements – U.S.A. Only

## It is your responsibility:

- To contact a qualified electrical installer.
- To be sure that the electrical connection is adequate and in conformance with the National Electrical Code, ANSI/NFPA 70 – latest edition and all local codes and ordinances.

The National Electrical Code requires a 4-wire power supply connection for homes built after 1996, dryer circuits involved in remodeling after 1996, and all mobile home installations.

A copy of the above code standards can be obtained from: National Fire Protection Association, One Batterymarch Park, Quincy, MA 02269.

- To supply the required 3- or 4-wire, single-phase, 120-/240-volt, 60 Hz, AC-only electrical supply (or 3- or 4-wire, 120/208-volt electrical supply, if specified on the serial/rating plate) on a separate 30-amp circuit, fused on both sides of the line. Connect to an individual branch circuit. Do not have a fuse in the neutral or grounding circuit.
- Do not use an extension cord.
- If codes permit and a separate ground wire is used, it is recommended that a qualified electrician determine that the ground path is adequate.

## Electrical Connection

To properly install your dryer, you must determine the type of electrical connection you will be using and follow the instructions provided for it here.

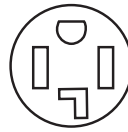
- This dryer is manufactured ready to install with a 3-wire electrical supply connection. A neutral ground conductor (white wire) is provided between the power supply neutral connection (center terminal) and the dryer external grounding point (green screw). If the dryer is installed with a 4-wire electrical supply connection, one end of the neutral ground conductor must be removed from the external ground connector (green screw), and secured under the neutral terminal (center screw) of the terminal block. When both ends of the neutral ground conductor are secured under the neutral terminal (center or white wire) of the terminal block, the dryer cabinet is isolated from the neutral conductor. The green ground wire of the 4-wire power cord must be secured to the dryer cabinet with the green ground screw.
- If local codes do not permit the connection of a neutral ground wire to the neutral wire, see “Optional External Ground 3-wire connection”.
- A 4-wire power supply connection must be used when the appliance is installed in a location where grounding through the neutral conductor is prohibited. Grounding through the neutral is prohibited for (1) new branch-circuit installations after 1996, (2) mobile homes, (3) recreational vehicles, and (4) areas where local codes prohibit grounding through the neutral conductors.

## If using a power supply cord:

Use a UL-listed power supply cord kit marked for use with clothes dryers. The kit should contain:

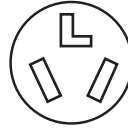
- A UL-listed 30-amp power supply cord, rated 120/240-volt minimum. The cord should be type SRD or SRDT and be at least 4 ft. (1.22 m) long. The wires that connect to the dryer must end in ring terminals or spade terminals with upturned ends.

## If your outlet looks like this:



4-wire receptacle (14-30R)

Then choose a 4-wire power supply cord with ring or spade terminals and UL-listed strain relief. The 4-wire power supply cord, at least 4 ft. (1.22 m) long, must have four 10-gauge copper wires and match a 4-wire receptacle of NEMA-Type 14-30R. The ground wire (ground conductor) may be either green or bare. The neutral conductor must be identified by a white cover.



3-wire receptacle (10-30R)

Then choose a 3-wire power supply cord with ring or spade terminals and UL-listed strain relief. The 3-wire power supply cord, at least 4 ft. (1.22 m) long, must have three 10-gauge copper wires and match a 3-wire receptacle of NEMA-Type 10-30R.

## If connecting by direct wire:

Power supply cable must match power supply (4-wire or 3-wire) and be:

- Flexible armored cable or nonmetallic sheathed copper cable (with ground wire), covered with flexible metallic conduit. All current-carrying wires must be insulated.
- 10-gauge solid copper wire (do not use aluminum) at least 5 ft. (1.52 m) long.

## GROUNDING INSTRUCTIONS

- For a grounded, cord-connected dryer:  
This dryer must be grounded. In the event of malfunction or breakdown, grounding will reduce the risk of electric shock by providing a path of least resistance for electric current. This dryer uses a cord having an equipment-grounding conductor and a grounding plug. The plug must be plugged into an appropriate outlet that is properly installed and grounded in accordance with all local codes and ordinances.
- For a permanently connected dryer:  
This dryer must be connected to a grounded metal, permanent wiring system, or an equipment-grounding conductor must be run with the circuit conductors and connected to the equipment-grounding terminal or lead on the dryer.

**WARNING:** Improper connection of the equipment-grounding conductor can result in a risk of electric shock. Check with a qualified electrician or service representative or personnel if you are in doubt as to whether the dryer is properly grounded. Do not modify the plug on the power supply cord: if it will not fit the outlet, have a proper outlet installed by a qualified electrician.

## SAVE THESE INSTRUCTIONS

# Electric Dryer Power Hookup – Canada Only

## Electrical Requirements

### **WARNING**



#### Electrical Shock Hazard

Plug into a grounded 4 prong outlet.

Failure to do so can result in death or electrical shock.

### It is your responsibility:

- To contact a qualified electrical installer.
- To be sure that the electrical connection is adequate and in conformance with the Canadian Electrical Code, C22.1 – latest edition and all local codes. A copy of the above codes standard may be obtained from: Canadian Standards Association, 178 Rexdale Blvd., Toronto, ON M9W 1R3 CANADA.
- To supply the required 4-wire, single-phase, 120/240-volt, 60 Hz., AC-only electrical supply on a separate 30-amp circuit, fused on both sides of the line. A time-delay fuse or circuit breaker is recommended. Connect to an individual branch circuit.
- This dryer is equipped with a CSA International Certified Power Cord intended to be plugged into a standard 14-30R wall receptacle. The cord is 5 ft. (1.52 m) in length. Be sure wall receptacle is within reach of dryer's final location.
- Do not use an extension cord.



4-wire receptacle (14-30R)

If using a replacement power supply cord, it is recommended that you use Power Supply Cord Replacement Part Number 8579325. For further information, please reference the "Assistance or Service" section.

### GROUNDING INSTRUCTIONS

- For a grounded, cord-connected dryer:  
This dryer must be grounded. In the event of malfunction or breakdown, grounding will reduce the risk of electric shock by providing a path of least resistance for electric current. This dryer is equipped with a cord having an equipment-grounding conductor and a grounding plug. The plug must be plugged into an appropriate outlet that is properly installed and grounded in accordance with all local codes and ordinances.

**WARNING:** Improper connection of the equipment-grounding conductor can result in a risk of electric shock. Check with a qualified electrician or service representative or personnel if you are in doubt as to whether the dryer is properly grounded. Do not modify the plug provided with the dryer: if it will not fit the outlet, have a proper outlet installed by a qualified electrician.

**SAVE THESE INSTRUCTIONS**

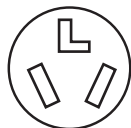
# Electric Installation – U.S.A. Only

Before you start: disconnect power.

## 1. Choose electrical connection type



Power supply cord 4-wire receptacle (NEMA-Type 14-30R):  
Go to "Power Supply Cord Connection."



Power supply cord 3-wire receptacle (NEMA Type 10-30R):  
Go to "Power Supply Cord Connection."



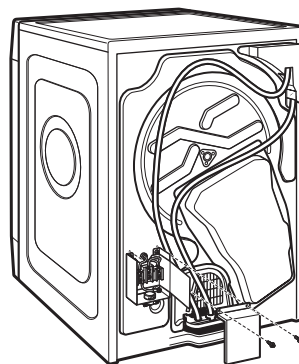
4-wire direct connection:  
Go to "Direct Wire Connection."



3-wire direct connection:  
Go to "Direct Wire Connection."

**NOTE:** If local codes do not permit connection of a cabinet-ground conductor to neutral wire, go to "Optional External Ground for 3-Wire Connection." This connection can be used with either a power supply cord or a direct wire connection.

## 2. Remove terminal block cover



Remove hold-down screws and terminal block cover.



## Power Supply Cord Connection

### **⚠ WARNING**



#### Fire Hazard

Use a new UL listed 30 amp power supply cord.

Use a UL listed strain relief.

Disconnect power before making electrical connections.

Connect neutral wire (white or center wire) to center terminal.

Ground wire (green or bare wire) must be connected to green ground connector.

Connect remaining 2 supply wires to remaining 2 terminals.

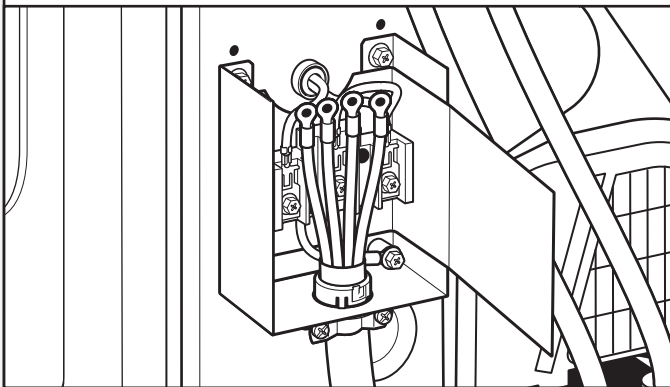
Securely tighten all electrical connections.

Failure to do so can result in death, fire, or electrical shock.

## 4-Wire Power Supply Cord Strain Relief:

**IMPORTANT:** Use the strain relief supplied with the dryer.

### Attach power supply cord to strain relief



Put power supply cord through the strain relief. Be sure that the wire insulation on the power supply cord is inside the strain relief. Do not further tighten strain relief screws at this point.

#### If your outlet looks like this:



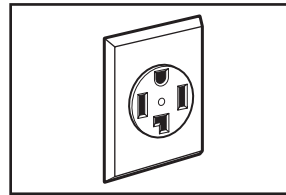
Power supply cord 4-wire receptacle (NEMA-Type 14-30R):  
Go to "4-Wire Power Supply Cord Connection."



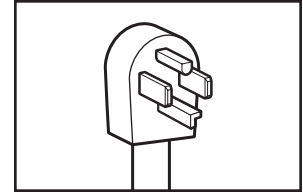
Power supply cord 3-wire receptacle (NEMA-Type 10-30R):  
Go to "3-Wire Power Supply Cord Connection."

## 4-Wire Power Supply Cord Connection

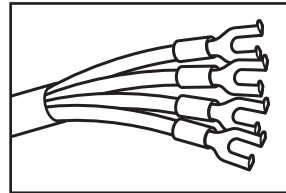
**IMPORTANT:** A 4-wire connection is required for mobile homes and where local codes do not permit the use of 3-wire connections.



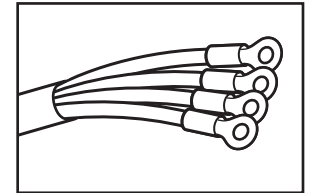
4-wire receptacle (NEMA-type 14-30R)



4 prong plug

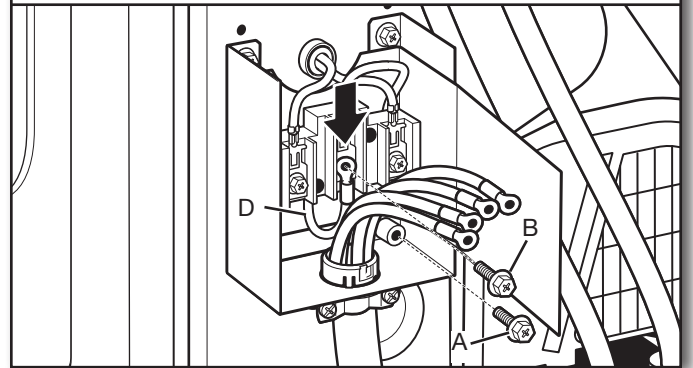


Spade terminals with upturned ends



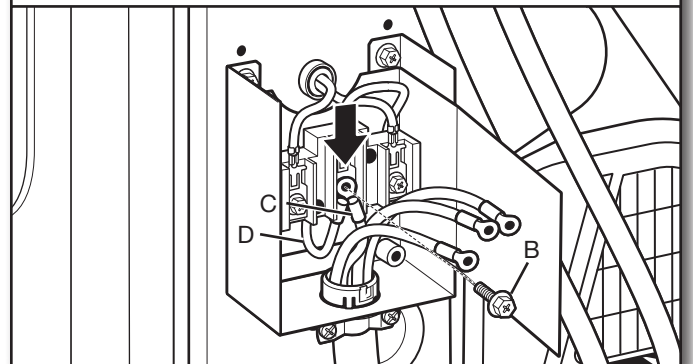
Ring terminals

### 1. Prepare to connect neutral wire



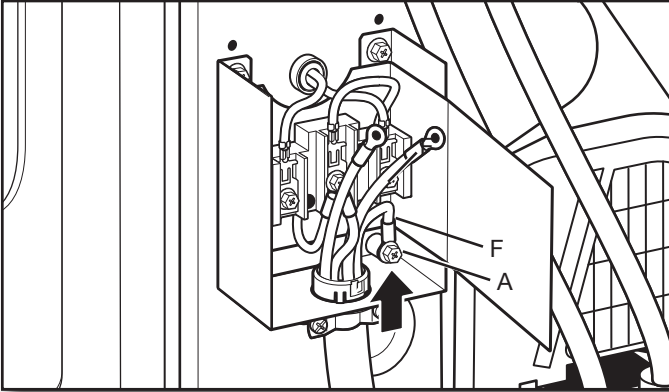
Remove center terminal block screw (B) and green external ground conductor screw (A). Loop neutral bonding wire (white) (D) to center terminal block.

### 2. Connect neutral wire



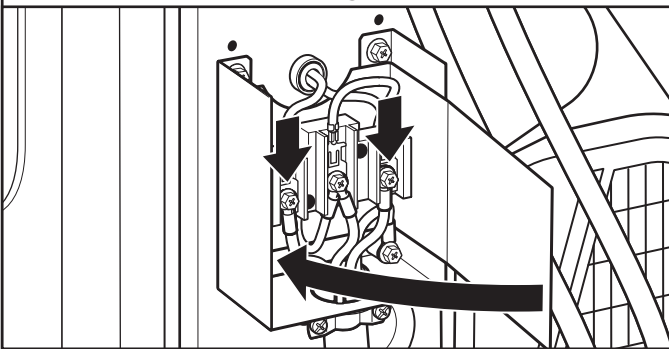
Connect neutral wire (white or center) (C) of power supply cord under center terminal block screw (B). Make sure the end of neutral bonding wire (white) (D) looped in Step 1 remains on the center terminal when the power supply cord neutral wire is attached. Tighten screw.

### 3. Connect ground wire



Connect ground wire (F) (green or bare) of power supply cord under green external ground conductor screw (A). Tighten screw.

### 4. Connect remaining wires

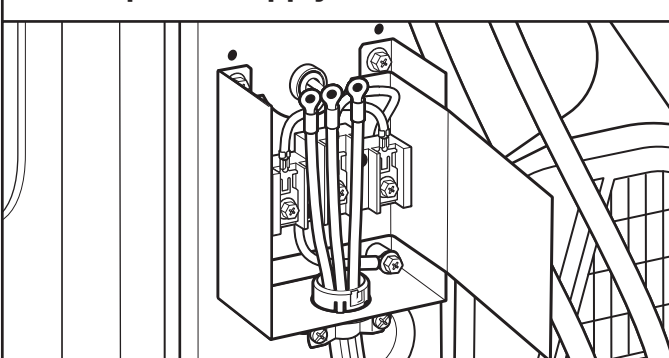


Connect remaining wires under outer terminal block screws. Tighten screws, tighten strain relief screws, and fold insulator over terminal block. Finally, reinsert tab of terminal block cover into slot at bottom edge of terminal block housing. Secure cover with the 2 hold-down screws. Now, go to "Level Dryer."

### 3-Wire Power Supply Cord Strain Relief:

**IMPORTANT:** Use the strain relief supplied with the dryer.

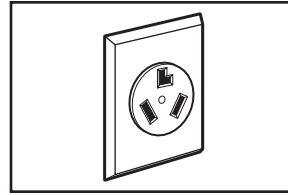
#### Attach power supply cord to strain relief



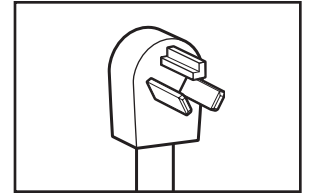
Put power supply cord through the strain relief. Be sure that the wire insulation on the power supply cord is inside the strain relief. Do not further tighten strain relief screws at this point.

### 3-Wire Power Supply Cord Connection

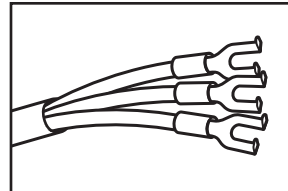
Use where local codes permit connecting cabinet-ground conductor to neutral wire.



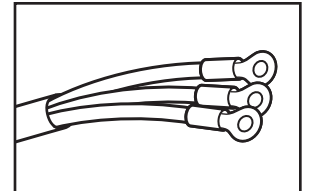
3-wire receptacle (NEMA-type 10-30R)



3 prong plug

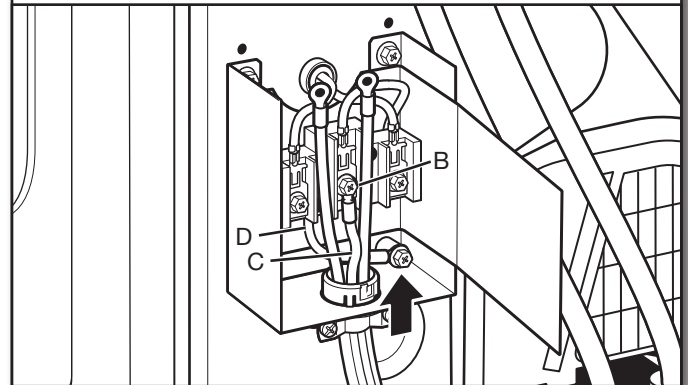


Spade terminals with upturned ends



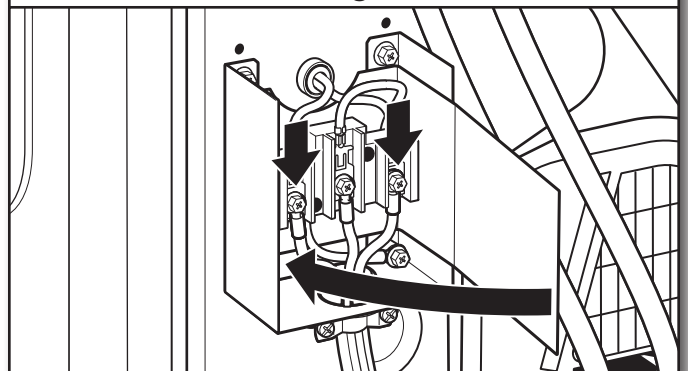
Ring terminals

### 1. Connect neutral (center) wire



Connect neutral (center) wire (C) of power supply cord under center terminal block screw (B). Tighten screw.

### 2. Connect remaining wires



Connect remaining wires under outer terminal block screws. Tighten screws, tighten strain relief screws, and fold insulator over terminal block. Finally, reinsert tab of terminal block cover into slot at bottom edge of terminal block housing. Secure cover with the 2 hold-down screws. Now, go to "Level Dryer."



## Direct Wire Connection

### **⚠ WARNING**



#### Fire Hazard

Use 10 gauge copper wire.

Use a UL listed strain relief.

Disconnect power before making electrical connections.

Connect neutral wire (white or center wire) to center terminal.

Ground wire (green or bare wire) must be connected to green ground connector.

Connect remaining 2 supply wires to remaining 2 terminals.

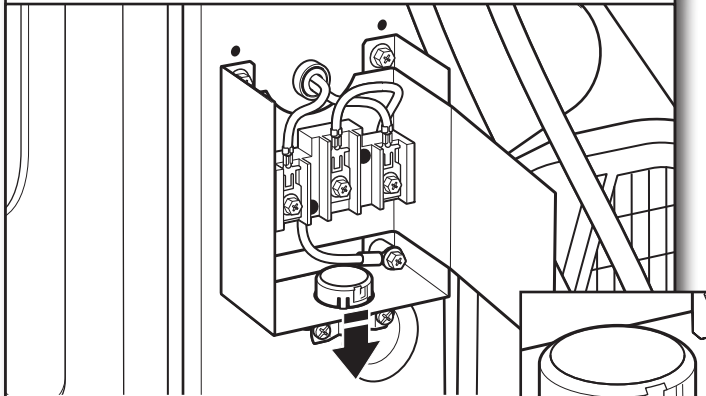
Securely tighten all electrical connections.

Failure to do so can result in death, fire, or electrical shock.

## Direct Wire Strain Relief

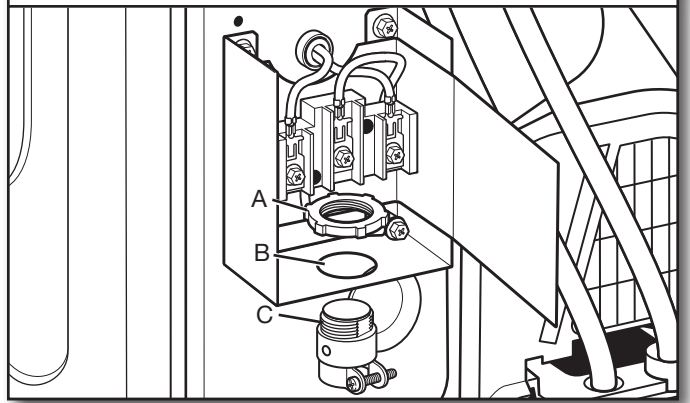
**IMPORTANT:** Use a conduit strain relief (not supplied).

### 1. Remove existing strain relief



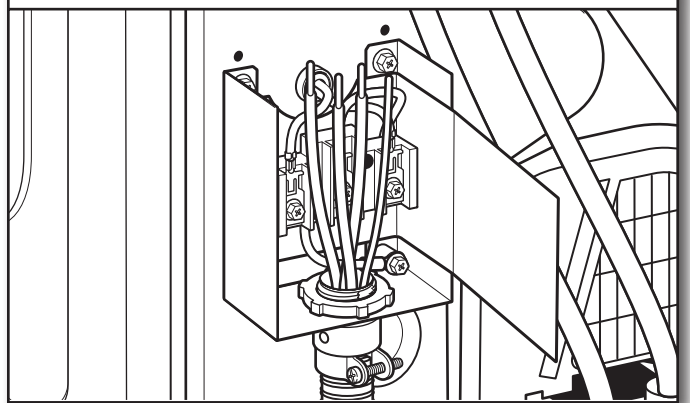
With a flat-blade screwdriver, flatten the three tabs on the band at the top of the strain relief. Pull out strain relief.

### 2. Attach direct wire strain relief



Unscrew the removable conduit connector (A) and any screws from a 3/4" (19 mm) UL-listed strain relief (UL marking on strain relief). Put the threaded section of the strain relief (C) through the hole below the terminal block opening (B). Reaching inside the terminal block opening, screw the removable conduit connector (A) onto the strain relief threads, and tighten securely.

### 3. Attach direct wire cable to strain relief



Put direct wire cable through the strain relief. The strain relief should have a tight fit with the dryer cabinet and be in a vertical position. Tighten strain relief screw against the direct wire cable.

**If your wiring looks like this:**



4-wire direct connection:  
Go to "4-Wire Direct Wire Connection."

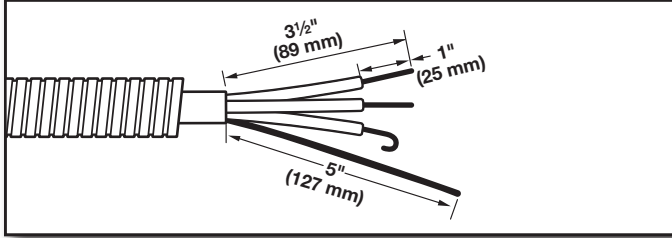


3-wire direct connection:  
Go to "3-Wire Direct Wire Connection."

## 4-Wire Direct Wire Connection

**IMPORTANT:** A 4-wire connection is required for mobile homes and where local codes do not permit 3-wire connections.

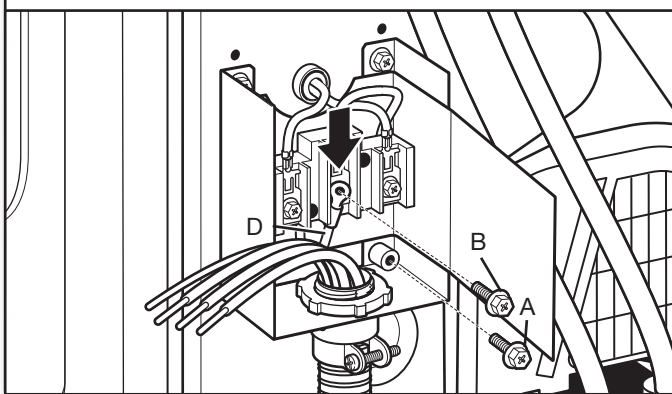
### 1. Prepare your 4-wire cable for direct connection



Direct wire cable must have 5 ft. (1.52 m) of extra length so dryer may be moved if needed.

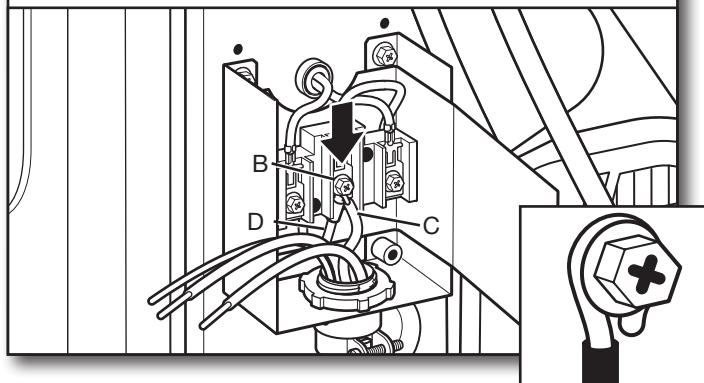
Strip 5" (127 mm) of outer covering from end of cable, leaving bare ground wire at 5" (127 mm). Cut 1 1/2" (38 mm) from remaining 3 wires. Strip insulation back 1" (25 mm). Shape ends of wires into hooks.

### 2. Prepare to connect neutral wire



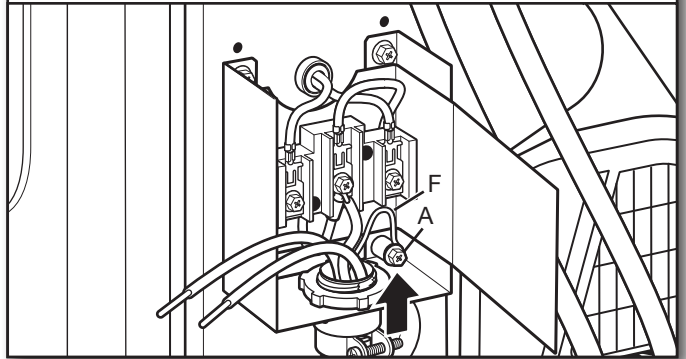
Remove center terminal block screw (B) and green external ground conductor screw (A). Loop neutral bonding wire (white) (D) to center terminal block.

### 3. Connect neutral wire



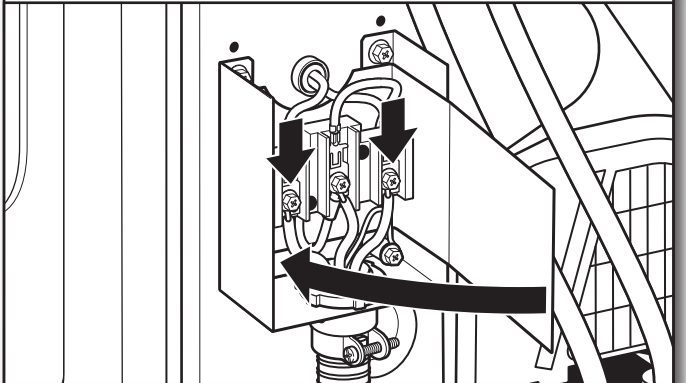
Place hooked end (hook facing right) of neutral wire (white or center wire) (C) of direct wire cable under center screw of terminal block (B). Squeeze hooked ends together. Make sure the end of neutral bonding wire (white) (D) looped in Step 2 remains on the center terminal when the direct wire cable neutral wire is attached. Tighten screw.

### 4. Connect ground wire



Connect ground wire (green or bare) (F) of direct wire cable under green external ground conductor screw (A). Tighten screw.

### 5. Connect remaining wires

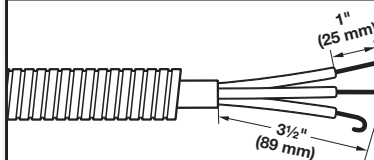


Place hooked ends of remaining direct wire cable wires under outer terminal block screws (hooks facing right). Squeeze hooked ends together, tighten screws, tighten strain relief screws, and fold insulator over terminal block. Finally, reinsert tab of terminal block cover into slot at bottom edge of terminal block housing. Secure cover with the 2 hold-down screws. Now, go to "Level Dryer."

## 3-Wire Direct Wire Connection

Use where local codes permit connecting cabinet-ground conductor to neutral wire.

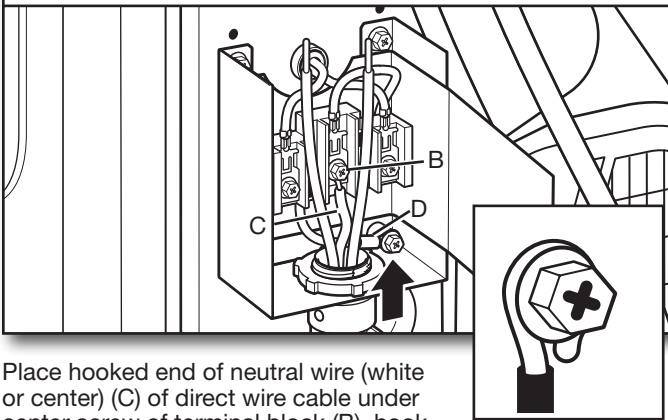
### 1. Prepare your 3-wire cable for direct connection



Direct wire cable must have 5 ft. (1.52 m) of extra length so dryer may be moved if needed.

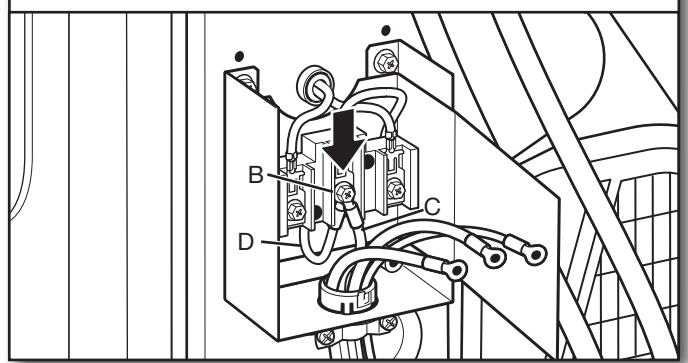
Strip 3 1/2" (89 mm) of outer covering from end of cable. Strip insulation back 1" (25 mm). If using 3-wire cable with ground wire, cut bare wire even with outer covering. Shape wire ends into hooks.

## 2. Connect neutral wire



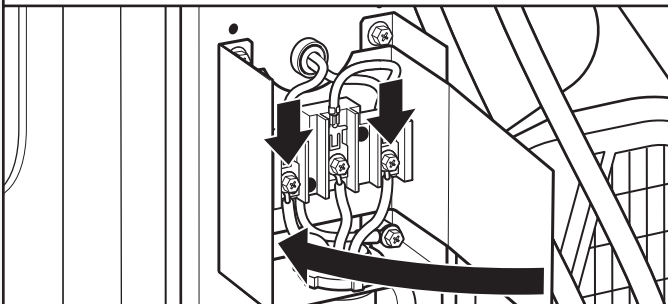
Place hooked end of neutral wire (white or center) (C) of direct wire cable under center screw of terminal block (B), hook facing right. Squeeze hooked end together. Tighten screw.

## 2. Connect neutral wire



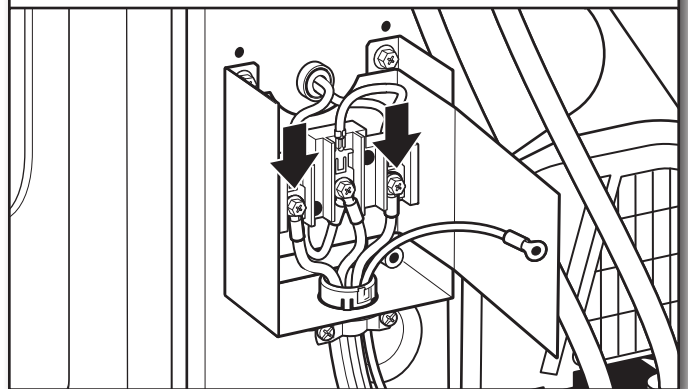
Connect neutral wire (white or center) (C) of power supply cord or cable under center terminal block screw (B). Make sure the end of neutral bonding wire (white) (D) looped in Step 1 remains on the center terminal when the power supply cord neutral wire is attached. Tighten screw.

## 3. Connect remaining wires



Place hooked ends of remaining direct wire cable wires under outer terminal block screws (hooks facing right). Squeeze hooked ends together, tighten screws, tighten strain relief screws, and fold insulator over terminal block. Finally, reinsert tab of terminal block cover into slot at bottom edge of terminal block housing. Secure cover with the 2 hold-down screws. Now, go to "Level Dryer."

## 3. Connect remaining wires

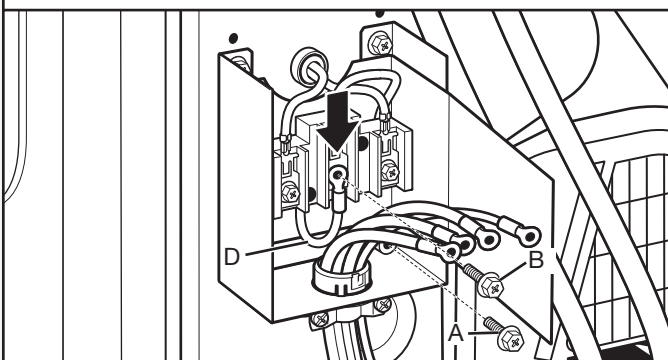


Place ends of remaining wires under outer terminal block screws. Tighten screws and tighten strain relief.

## Optional External Ground for 3-Wire Connection (Power Supply Cord Shown)

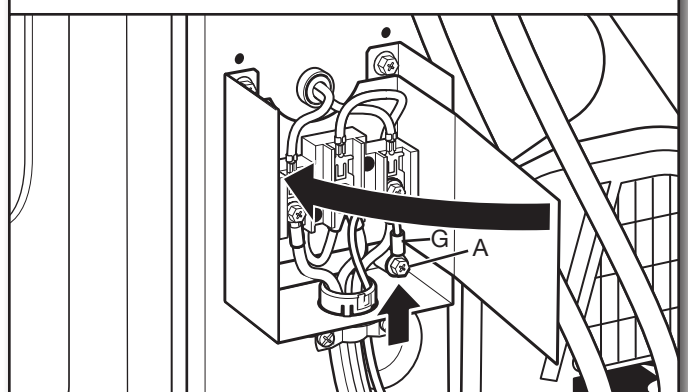
**IMPORTANT:** You must verify with a qualified electrician that this grounding method is acceptable before connecting.

## 1. Prepare to connect neutral wire



Remove center terminal block screw (B) and green external ground conductor screw (A). Loop neutral bonding wire (white) (D) to center terminal block.

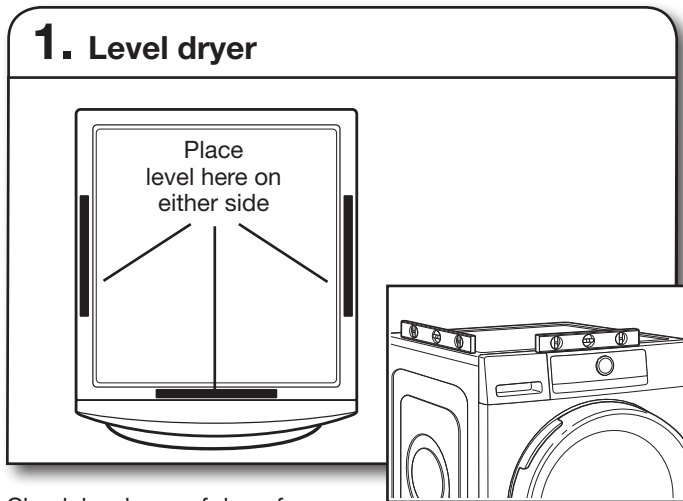
## 4. Connect external ground wire



Connect a separate copper ground wire (G) under the green external ground conductor screw (A) to an adequate ground. Fold insulator over terminal block. Finally, reinsert tab of terminal block cover into slot at bottom edge of terminal block housing. Secure cover with the 2 hold-down screws. Now, go to "Level Dryer."

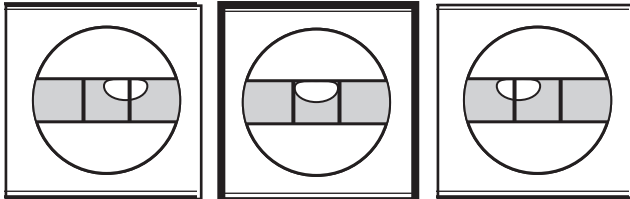
## Level Dryer

### 1. Level dryer



Check levelness of dryer from side to side. Repeat from front to back.

**NOTE:** The dryer must be level for the moisture-sensing system to operate correctly. If forward slope of dryer is greater than 1" (25 mm), water could run out from front of filter.

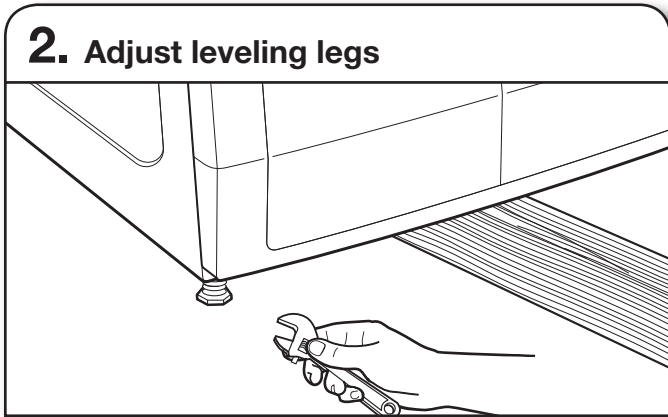


Not Level

LEVEL

Not Level

### 2. Adjust leveling legs



If dryer is not level, prop up using a wood block, use wrench to adjust legs up or down, and check again for levelness. Once dryer is level, make sure all four legs are snug against the floor and dryer does not rock.

## ⚠ WARNING



### Electrical Shock Hazard

Plug into a grounded 3 prong outlet.

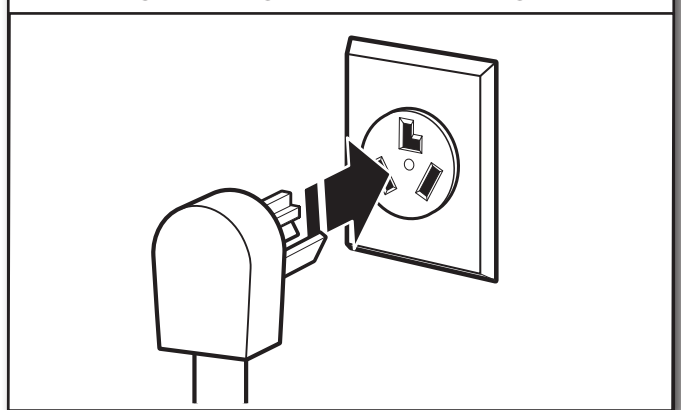
Do not remove ground prong.

Do not use an adapter.

Do not use an extension cord.

Failure to follow these instructions can result in death, fire, or electrical shock.

### 3. Plug into a grounded 3 prong outlet



## Complete Installation Checklist

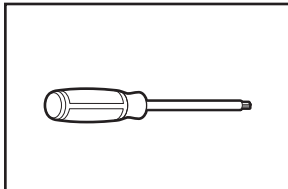
- Check that all parts are now installed. If there is an extra part, go back through steps to see what was skipped.
- Check that dryer is level. See "Level Dryer."
- Check that you have all of your tools.
- Dispose of/recycle all packaging materials.
- Check dryer's final location.
- Remove any tape remaining on dryer.
- Wipe dryer drum interior thoroughly with a damp cloth to remove any dust.
- Read "Using Your Dryer" in "Operating Instructions."
- For power supply cord installation, plug into a grounded outlet. For direct wire installation, turn on power.
- Select a Timed Dry heated cycle and start dryer.
  - If dryer will not start, check the following:
    - Controls are set in a running or ON position.
    - Start/Pause button has been pushed firmly and held for 3 seconds.
    - Dryer is plugged into an outlet and/or electrical supply.
    - Household fuse is intact and tight or circuit breaker has not tripped.
    - Dryer door is closed.

This dryer automatically runs an installation diagnostic routine at the start of its first cycle.

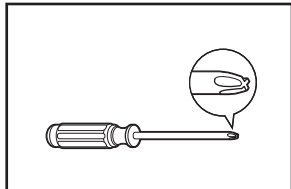
**NOTE:** You may notice an odor when dryer is first heated. The odor will go away.

# Door Reversal (optional)

Tools needed:

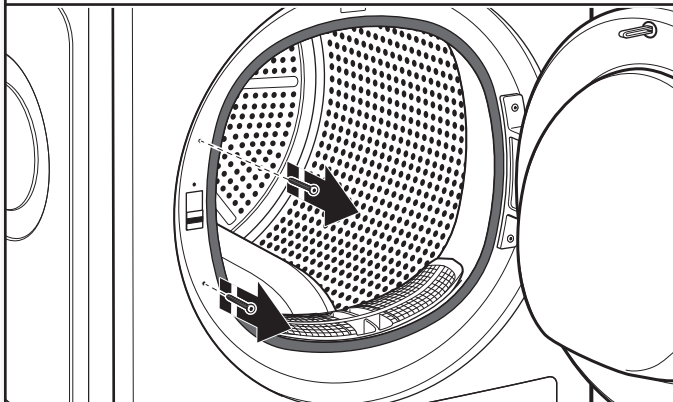


Min. 8" long TORX® T20® screwdriver



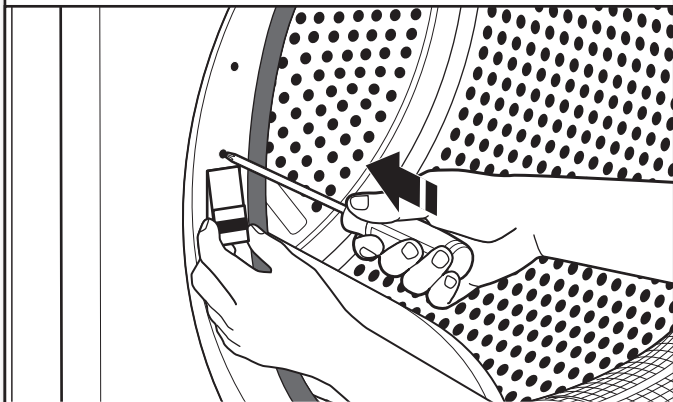
#2 Phillips screwdriver

## 1. Remove door lock screws



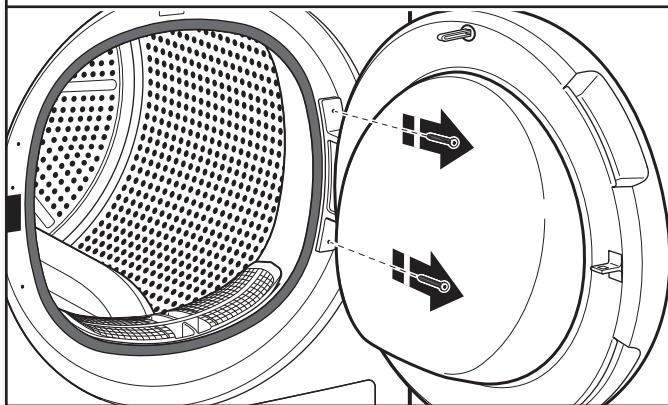
Remove the two trim screws located above and below the door lock, to the left of the door opening.

## 2. Remove door lock

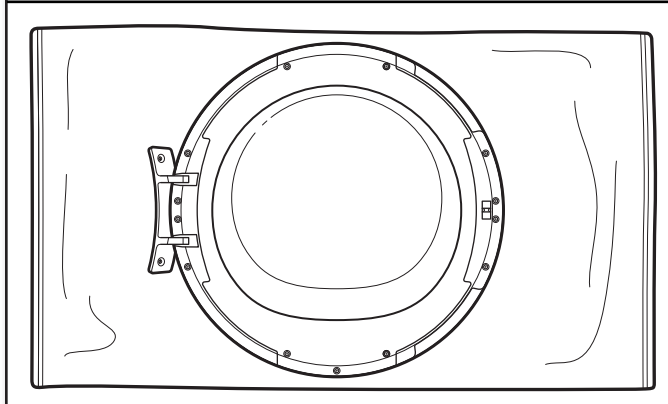
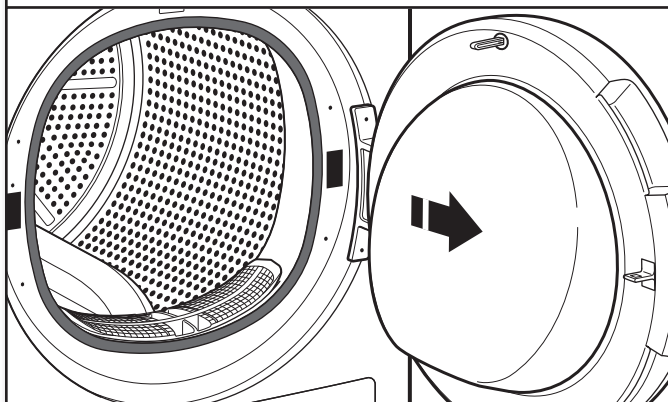


Press the small knob above the door lock with a small screwdriver. At the same time, push up on the door lock and pull it towards you.

## 3. Remove two screws on door hinge

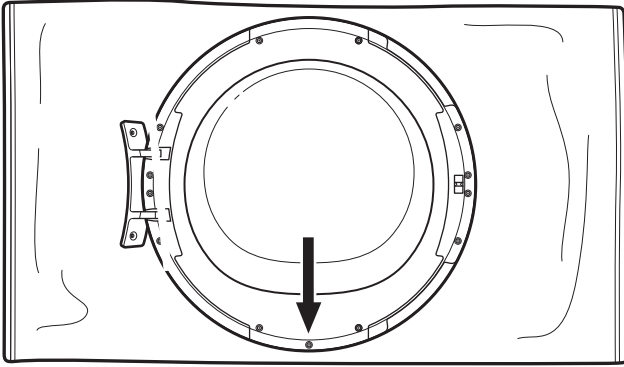


## 4. Remove door and gently lay front-side-down on soft surface

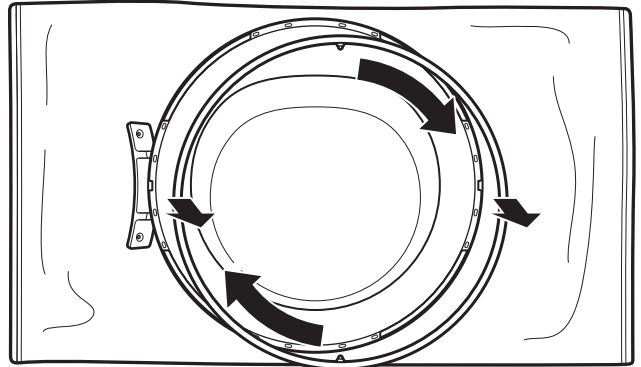




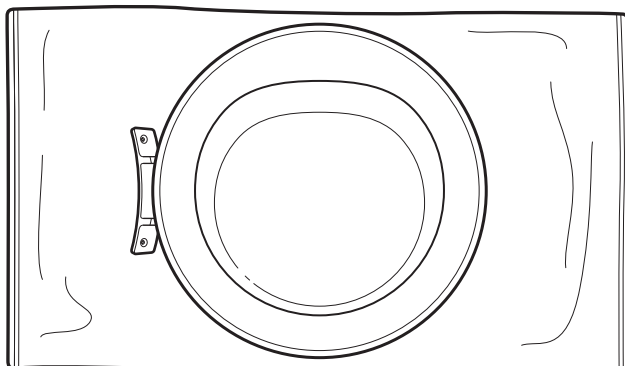
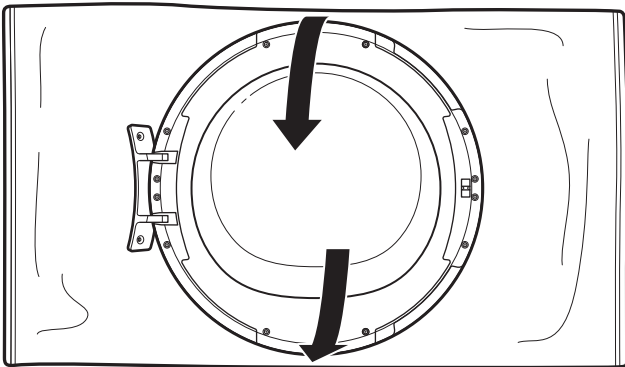
**5. Unscrew bottom screw to release chrome trim ring**



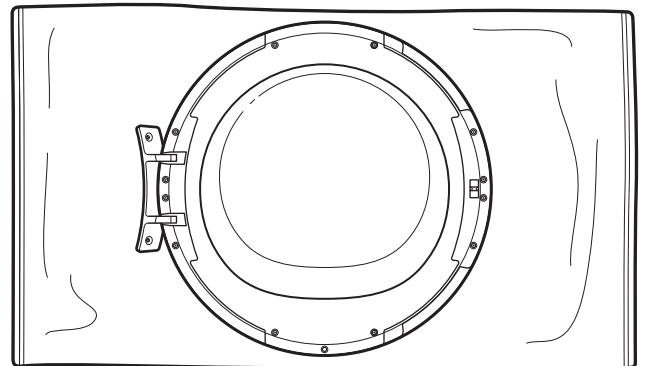
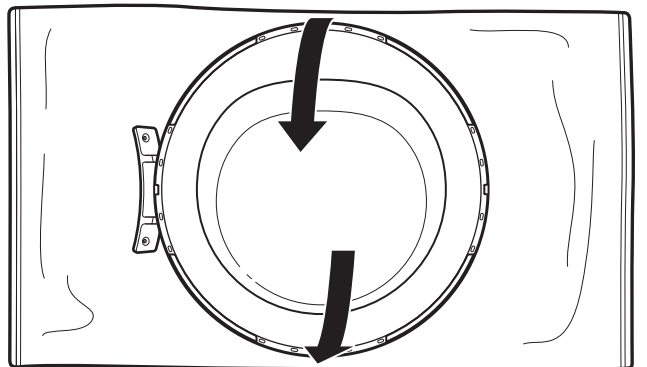
**7. While holding door, gently turn chrome trim ring clockwise and remove**



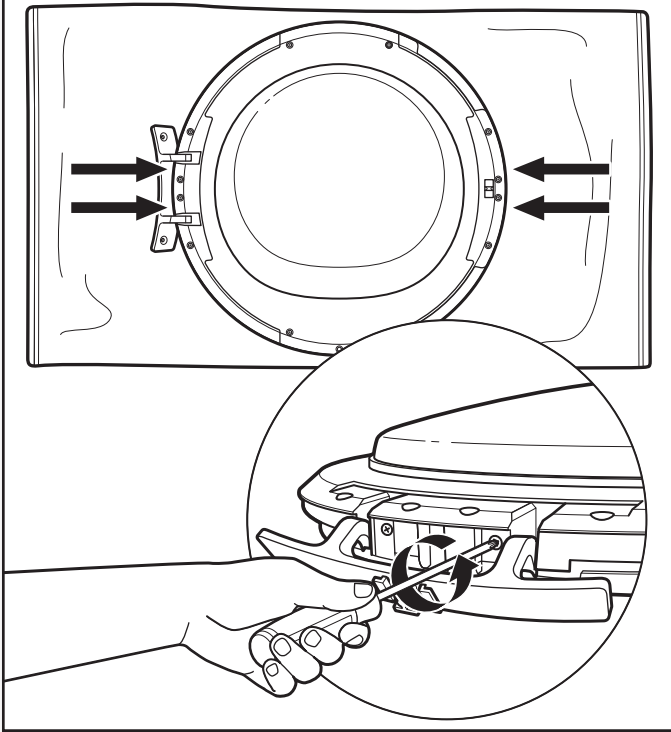
**6. Flip over door so door glass is on bottom**



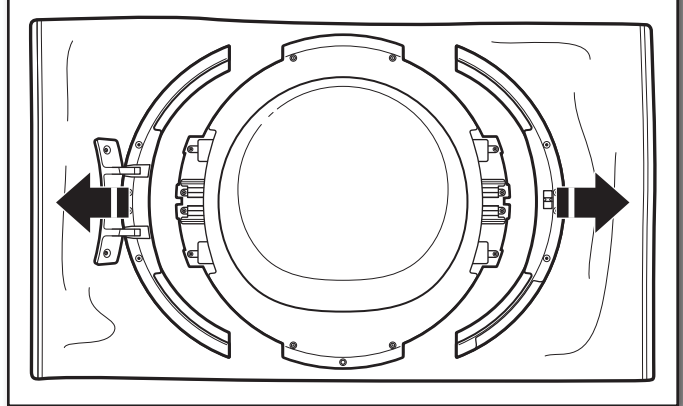
**8. Flip over door so door glass again faces up**



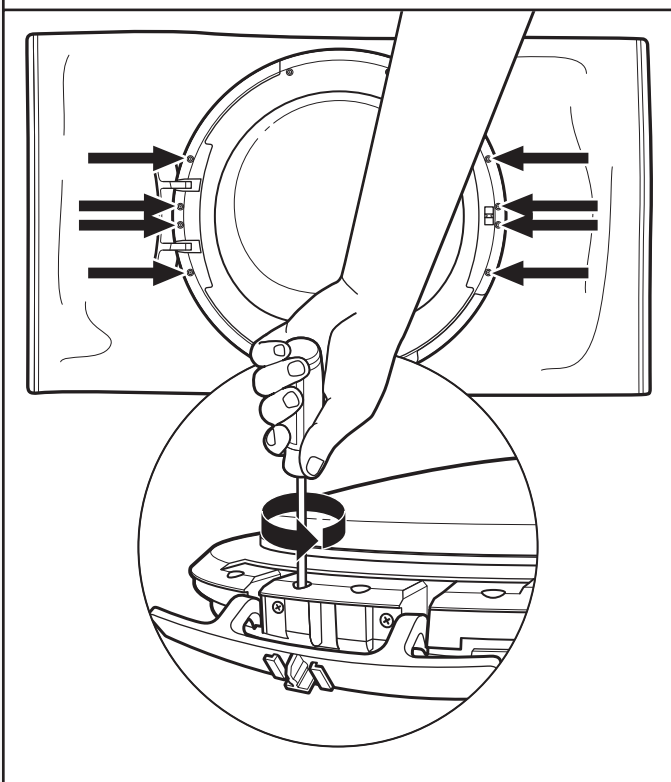
**9.** Remove 2 side screws on each side of door



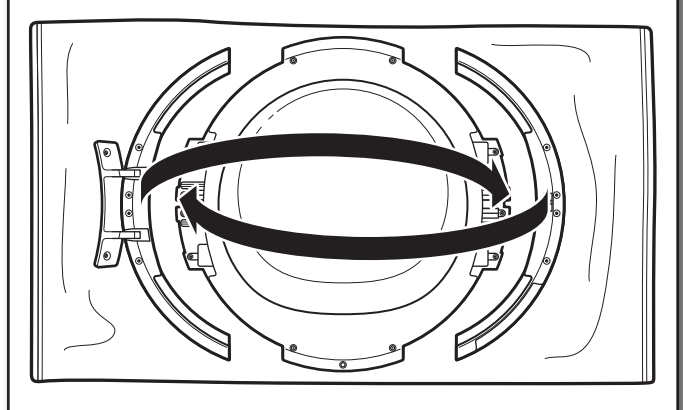
**11.** Remove side parts on each side of door



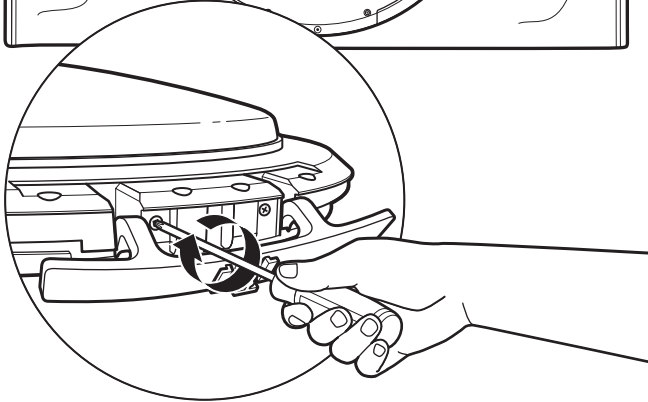
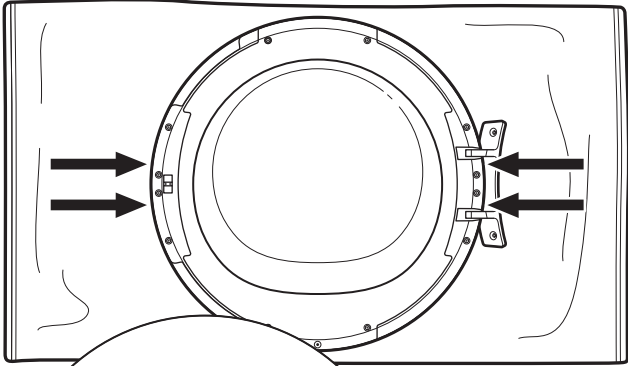
**10.** Remove 4 inner screws on each side of door



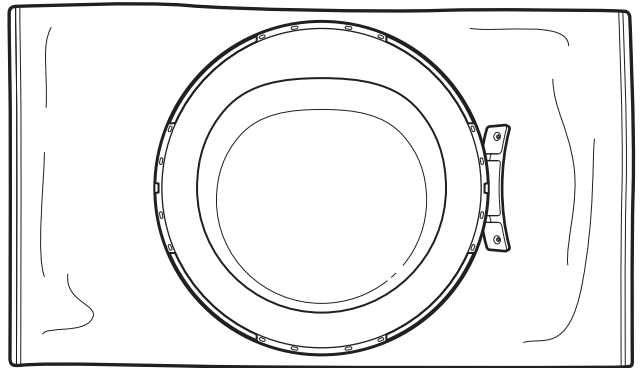
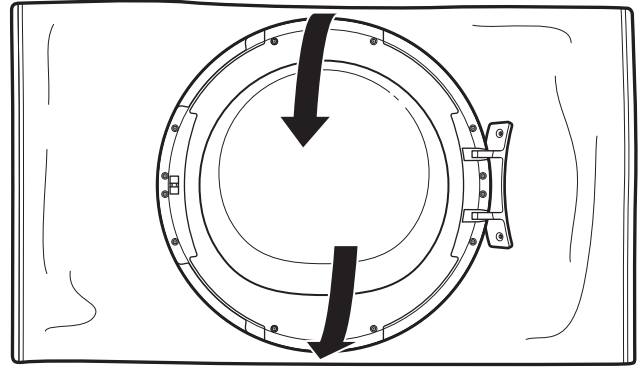
**12.** Reverse side parts and insert them again



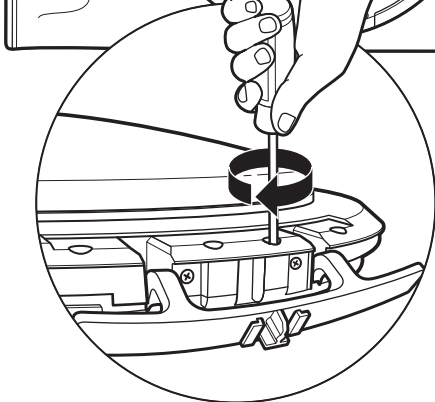
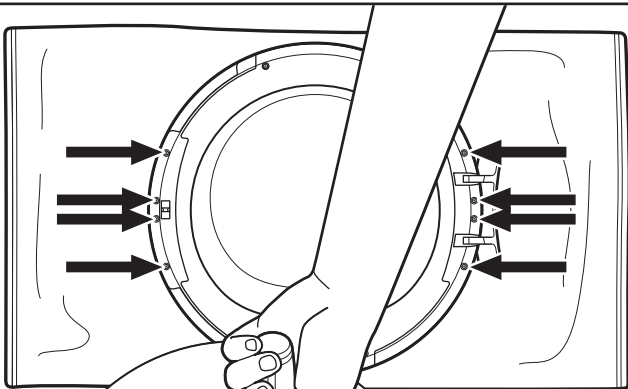
**13. Re-fasten 2 screws on each side of door**



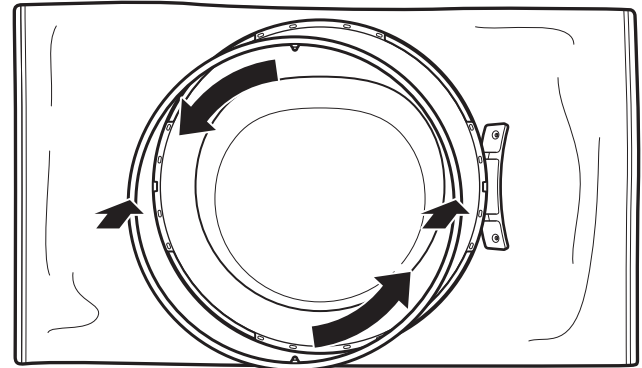
**15. Flip over door so door glass is on bottom**



**14. Re-fasten 4 inner screws on each side of door**

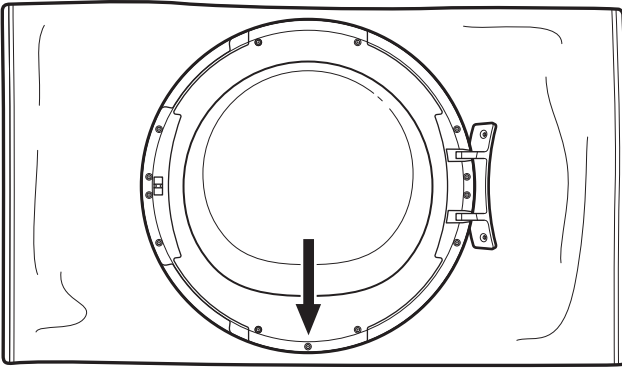


**16. Replace chrome trim ring**

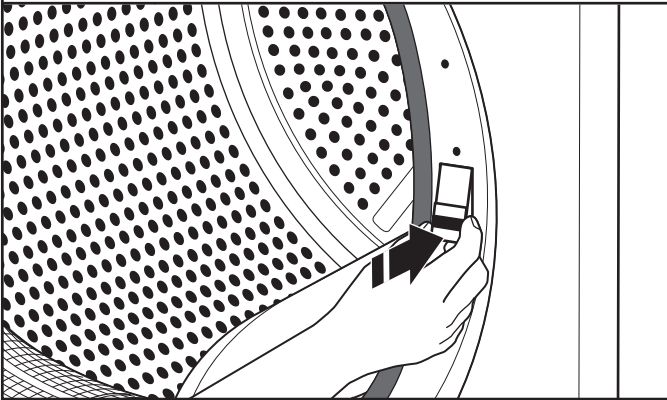




**17. Flip over door again so glass faces up**

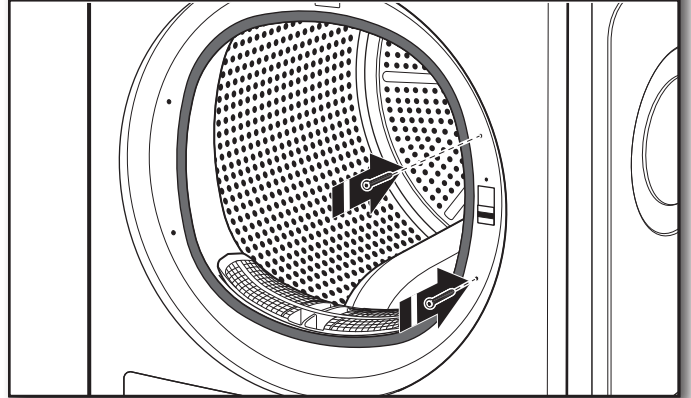


**18. Install door lock on right side of door opening**



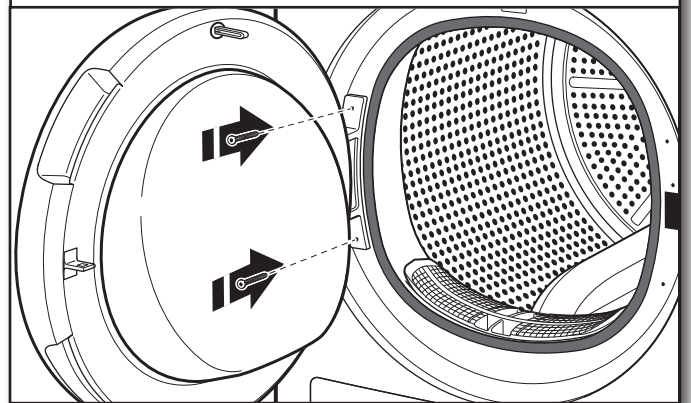
Press the door lock completely into the hole and move it slightly downwards until the small knob of the door lock latches.

**19. Fasten door lock screws**



Fasten the two trim screws located above and below the door lock, to the right of the door opening.

**20. Fasten door to left side of door opening**



Fasten the two screws to the door hinge.

# TROUBLESHOOTING

First try the solutions suggested here or visit our website at [www.whirlpool.com/product\\_help](http://www.whirlpool.com/product_help) –  
In Canada [www.whirlpool.ca](http://www.whirlpool.ca) for assistance and to possibly avoid a service call.

If you experience	Possible Causes	Solution
<b>Dryer Operation</b>		
Dryer will not run	Door not closed completely.	Make sure the dryer door is closed completely.
	Start/Pause button not touched firmly.	Touch the Start/Pause button firmly.
	Bottom filter not in place.	Place filter back in dryer and make sure the handle is properly seated. The bottom filter indicator will light up if not properly seated.
	Household fuse is blown or circuit breaker has tripped.	There may be 2 household fuses or circuit breakers for the dryer. Check that both fuses are intact and tight, or that both circuit breakers have not tripped. Replace the fuses or reset the circuit breaker. If the problem continues, call an electrician.
	Incorrect power supply.	Electric dryers require 240-volt power supply. Check with a qualified electrician.
	Wrong type of fuse.	Use a time-delay fuse.
<b>Unusual Noise</b>		
Thumping noise	Dryer hasn't been used in a while.	This is due to temporary flat spots on the drum rollers. The thumping sound will diminish after a few minutes.
Rattling or vibrating noise	A small object caught between the edges of dryer drum.	Check the front and rear edges of the drum for small objects. Clean out pockets before laundering.
	Dryer isn't properly leveled.	The dryer may vibrate if not properly installed. See "Installation Instructions." All four dryer feet should be in firm contact with the floor.
	Clothing is balled up in dryer.	When balled up, the load will bounce, causing the dryer to vibrate. Separate the load items and restart the dryer.
Loud humming or increased noise during cycle	Load is packed tightly.	Reduce load size to recommended load size in "Program/Cycle Guide." Run the dryer for 5–10 minutes.
<b>Dryer Results</b>		
Clothes are not drying satisfactorily or drying times are too long	Lint screen is clogged with lint.	Clean lint screen before each load.
	Bottom filter and screen is clogged with lint.	Clean bottom filter after every 5th cycle.
	The dryer is not level.	Clothes not contacting the moisture sensors during Automatic Cycles. See "Level Dryer" in "Installation Instructions."
	The load is too large and heavy to dry quickly.	Separate the load to tumble freely.
	Fabric softener sheets are blocking the grille.	The air outlet grille is just inside the door. Check that it is not blocked by a fabric softener sheet. Use only one fabric softener sheet, and use it only once.
	The dryer is located in a room with temperature below 45°F (7°C).	Proper operation of dryer cycles requires temperatures above 45°F (7°C).
	The dryer is located in a closet.	Closet doors must have ventilation openings at the top and bottom of the door. The front of the dryer requires a minimum of 1" (25 mm) of airspace, and, for most installations, the rear of the dryer requires 5" (127 mm). See "Installation Instructions."




# TROUBLESHOOTING

First try the solutions suggested here or visit our website at [www.whirlpool.com/product\\_help](http://www.whirlpool.com/product_help) –  
In Canada [www.whirlpool.ca](http://www.whirlpool.ca) for assistance and to possibly avoid a service call.

If you experience	Possible Causes	Solution
<b>Dryer Results (cont.)</b>		
There may be some water in the bottom filter or on floor	The dryer is not level.	Floor needs to have a slope less than 1" (25 mm). See "Level Dryer" in "Installation Instructions."
	Bottom filter is not properly seated.	Make sure filter is placed in the housing cabinet correctly. See "Cleaning the Bottom Filter."
	Drain hose is longer than what was provided. Verify water container and hose connections.	Drain hose can be installed no higher than 36" (91 cm) from bottom of the dryer. See "Drain System" in "Installation Instructions."
Cycle time is too short	The load may not be contacting the sensor strips on Automatic Cycles.	Level the dryer. See "Installation Instructions." All four dryer feet should be in firm contact with the floor.
	The Automatic Cycle is ending early.	Change the dryness level setting on Automatic Cycles. Increasing or decreasing the dryness level will change the amount of drying time in a cycle. If loads are consistently ending too early, also see "Adapting the dryer to water conductivity."
Lint on load	Lint screen is clogged with lint.	Clean lint screen before each load.
Stains on load	Improper use of fabric softener.	Add dryer fabric softener sheets at the beginning of the cycle. Fabric softener sheets added to a partially dried load can stain your garments. Do not use fabric softener sheets with steam cycles.
Stains on drum	Loose dyes in clothes.	Drum stains are caused by dyes in clothing (usually blue jeans). These will not transfer to other clothing.
Loads are wrinkled	The load was not removed from dryer at the end of the cycle.	Refer to garment care label instructions. Dry-clean-only garments are not recommended.
	The dryer was tightly packed.	Dry smaller loads that can tumble freely. Results may also vary depending on fabric type.
Odors	Recent painting, staining, or varnishing in the area where your dryer is located.	Ventilate the area. When the odors or fumes are gone from the area, rewash and dry the clothing.
	Odors are left in garments after wearing.	Rewash and dry the clothing.
Load too hot	Load removed before cool-down portion of cycle complete.	Allow the dryer to complete the cool-down portion of the cycle before removing the load.
Stains or lint buildup on wall behind dryer	Dryer too close to wall.	Move dryer away from wall and make sure you have proper ventilation.

# TROUBLESHOOTING

First try the solutions suggested here or visit our website at [www.whirlpool.com/product\\_help](http://www.whirlpool.com/product_help) –  
In Canada [www.whirlpool.ca](http://www.whirlpool.ca) for assistance and to possibly avoid a service call.

If you experience	Possible Causes	Solution
<b>Dryer Displays Code Message or LED Symbol Lights Up</b>		
	Water tank is filled with water.	Empty water tank; make sure to insert it properly afterwards.
	Water tank is not correctly positioned.	Push in the water tank to make sure that it is correctly inserted in the tank compartment.
	Bottom filter is blocked by lint.	Clean the bottom filter; make sure to insert it properly afterwards.
	Bottom filter is not correctly positioned.	Push in the bottom filter and move the release levers into a vertical position to make sure the filter is correctly inserted in the filter compartment. Close the flap.
	Door filter is blocked by lint.	Remove and clean the door filter; afterwards, make sure to insert it properly in the filter compartment.
	Door filter is not correctly positioned.	Check position of the door filter; make sure that it is properly inserted in the filter compartment.
F01 to F04	A component has failed.	Touch and hold the Power button for at least 3 seconds while dryer is on.
F05 to F09	A component has failed.	Turn off and unplug the dryer. Immediately open the door and take out the laundry so that the heat can dissipate. Make sure that the ambient temperature ranges between 41°F (5°C) and 95°F (35°C). After about one hour, plug in the dryer, load the laundry, and start the program/cycle again. If the failure persists, call for service.
F10 to F24	A component has failed.	Turn off and unplug the dryer. After about half an hour, plug in the dryer and start the program/cycle again. If the failure persists, call for service.

# Notes

# Notes

# WHIRLPOOL® LAUNDRY LIMITED WARRANTY

ATTACH YOUR RECEIPT HERE. PROOF OF PURCHASE IS REQUIRED TO OBTAIN WARRANTY SERVICE.

Please have the following information available when you call the Customer eXperience Center:

- Name, address, and telephone number
- Model number and serial number
- A clear, detailed description of the problem
- Proof of purchase including dealer or retailer name and address

## IF YOU NEED SERVICE:

1. Before contacting us to arrange service, please determine whether your product requires repair. Some questions can be addressed without service. Please take a few minutes to review the Troubleshooting or Problem Solver section of the Use and Care Guide, scan the QR code on the right to access additional resources, or visit [https://www.whirlpool.com/product\\_help](https://www.whirlpool.com/product_help).
2. All warranty service is provided exclusively by our authorized Whirlpool Service Providers.  
In the U.S. and Canada, direct all requests for warranty service to:



[https://www.whirlpool.com/product\\_help](https://www.whirlpool.com/product_help)

### Whirlpool Customer eXperience Center

**In the U.S.A. call 1-800-253-1301. In Canada call 1-800-807-6777.**

If outside the 50 United States and Canada, contact your authorized Whirlpool dealer to determine if another warranty applies.

## ONE YEAR LIMITED WARRANTY

### WHAT IS COVERED

For one year from the date of purchase, when this major appliance is installed, operated, and maintained according to instructions attached to or furnished with the product, Whirlpool Corporation or Whirlpool Canada LP (hereafter "Whirlpool") will pay for Factory Specified Replacement Parts and repair labor to correct defects in materials or workmanship that existed when this major appliance was purchased, or at its sole discretion replace the product. In the event of product replacement, your appliance will be warranted by the remaining term of the original unit's warranty period.

**YOUR SOLE AND EXCLUSIVE REMEDY UNDER THIS LIMITED WARRANTY SHALL BE PRODUCT REPAIR AS PROVIDED HEREIN.** Service must be provided by a Whirlpool designated service company. This limited warranty is valid only in the United States or Canada and applies only when the major appliance is used in the country in which it was purchased. This limited warranty is effective from the date of original consumer purchase. Proof of original purchase date is required to obtain service under this limited warranty.

### WHAT IS NOT COVERED

1. Commercial, non-residential, multiple-family use, or use inconsistent with published user, operator, or installation instructions.
2. In-home instruction on how to use your product.
3. Service to correct improper product maintenance or installation, installation not in accordance with electrical or plumbing codes, or correction of household electrical or plumbing (i.e. house wiring, fuses, or water inlet hoses).
4. Consumable parts (i.e. light bulbs, batteries, air or water filters, preservation solutions, etc.).
5. Defects or damage caused by the use of non-genuine Whirlpool parts or accessories.
6. Conversion of your product from natural gas or L.P. gas or reversal of appliance doors.
7. Damage from accident, misuse, abuse, fire, floods, acts of God, or use with products not approved by Whirlpool.
8. Repairs to parts or systems to correct product damage or defects caused by unauthorized service, alteration, or modification of the appliance.
9. Cosmetic damage including scratches, dents, chips, and other damage to appliance finishes unless such damage results from defects in materials and workmanship and is reported to Whirlpool within 30 days.
10. Discoloration, rust, or oxidation of surfaces resulting from caustic or corrosive environments, including but not limited to, high salt concentrations, high moisture or humidity, or exposure to chemicals.
11. Pick-up or delivery. This product is intended for in-home repair.
12. Travel or transportation expenses for service in remote locations where an authorized Whirlpool servicer is not available.
13. Removal or reinstallation of inaccessible appliances or built-in fixtures (i.e. trim, decorative panels, flooring, cabinetry, islands, countertops, drywall, etc.) that interfere with servicing, removal, or replacement of the product.
14. Service or parts for appliances with original model/serial numbers removed, altered, or not easily determined.

**The cost of repair or replacement under these excluded circumstances shall be borne by the customer.**

### DISCLAIMER OF IMPLIED WARRANTIES

IMPLIED WARRANTIES, INCLUDING ANY IMPLIED WARRANTY OF MERCHANTABILITY OR IMPLIED WARRANTY OF FITNESS FOR A PARTICULAR PURPOSE, ARE LIMITED TO ONE YEAR OR THE SHORTEST PERIOD ALLOWED BY LAW. Some states and provinces do not allow limitations on the duration of implied warranties of merchantability or fitness, so this limitation may not apply to you. This warranty gives you specific legal rights, and you also may have other rights that vary from state to state or province to province.

### DISCLAIMER OF REPRESENTATIONS OUTSIDE OF WARRANTY

Whirlpool makes no representations about the quality, durability, or need for service or repair of this major appliance other than the representations contained in this Warranty. If you want a longer or more comprehensive warranty than the limited warranty that comes with this major appliance, you should ask Whirlpool or your retailer about buying an extended warranty.

### LIMITATION OF REMEDIES; EXCLUSION OF INCIDENTAL AND CONSEQUENTIAL DAMAGES

**YOUR SOLE AND EXCLUSIVE REMEDY UNDER THIS LIMITED WARRANTY SHALL BE PRODUCT REPAIR AS PROVIDED HEREIN. WHIRLPOOL SHALL NOT BE LIABLE FOR INCIDENTAL OR CONSEQUENTIAL DAMAGES.** Some states and provinces do not allow the exclusion or limitation of incidental or consequential damages, so these limitations and exclusions may not apply to you. This warranty gives you specific legal rights, and you also may have other rights that vary from state to state or province to province.

# SÉCURITÉ DE LA SÈCHEUSE

## Votre sécurité et celle des autres est très importante.

Nous donnons de nombreux messages de sécurité importants dans ce manuel et sur votre appareil ménager. Assurez-vous de toujours lire tous les messages de sécurité et de vous y conformer.



Voici le symbole d'alerte de sécurité.

Ce symbole d'alerte de sécurité vous signale les dangers potentiels de décès et de blessures graves à vous et à d'autres.

Tous les messages de sécurité suivront le symbole d'alerte de sécurité et le mot "DANGER" ou "AVERTISSEMENT". Ces mots signifient :

**⚠ DANGER**

**Risque possible de décès ou de blessure grave si vous ne suivez pas immédiatement les instructions.**

**⚠ AVERTISSEMENT**

**Risque possible de décès ou de blessure grave si vous ne suivez pas les instructions.**

Tous les messages de sécurité vous diront quel est le danger potentiel et vous disent comment réduire le risque de blessure et ce qui peut se produire en cas de non-respect des instructions.



## **AVERTISSEMENT - "Risque d'incendie"**

- L'installation de la sècheuse à linge doit être effectuée par un installateur qualifié.
- Installer la sècheuse conformément aux instructions du fabricant et aux codes locaux.
- Pour réduire le risque de blessure grave ou de décès, suivre toutes les instructions d'installation.
- Conserver ces instructions.

### IMPORTANTES INSTRUCTIONS DE SECURITE

**AVERTISSEMENT :** Afin de réduire le risque d'incendie, de choc électrique ou de blessures corporelles lors de l'utilisation de la sècheuse, il convient d'observer certaines précautions fondamentales, notamment :

- Lire toutes les instructions avant d'utiliser le sèche-linge.
- Ne pas placer d'articles tachés d'huile de cuisson dans la sècheuse. Les articles couverts d'huile de cuisson peuvent provoquer une réaction chimique et enflammer la charge de vêtements.
- Ne pas sécher d'articles qui ont été précédemment nettoyés, lavés, trempés ou tachés avec de l'essence, des solvants pour nettoyage à sec ou d'autres substances inflammables ou explosives; ces substances dégagent des vapeurs qui pourraient s'enflammer ou exploser.
- Ne pas laisser des enfants jouer sur la sècheuse ou à l'intérieur de celui-ci. Une surveillance attentive des enfants est nécessaire lorsque la sècheuse est utilisée à proximité d'enfants.
- Retirer les portes du compartiment de séchage avant de retirer la sècheuse pour un entretien ou de le mettre au rebut.
- Ne pas accéder à l'intérieur de la sècheuse pendant le fonctionnement du tambour.
- Ne pas installer ou entreposer la sècheuse dans un endroit où elle serait exposée aux intempéries.
- Ne pas effectuer d'intervention non autorisée sur les commandes.
- Ne pas réparer ou remplacer une quelconque pièce de la sècheuse ou effectuer tout entretien qui ne serait pas expressément recommandé dans le Guide d'utilisation et d'entretien ou dans des instructions de réparation par l'utilisateur que vous comprenez et que vous êtes capables d'exécuter.
- Ne pas utiliser d'assouplissants pour tissu ou de produits pour éliminer l'électricité statique à moins que cela ne soit recommandé par le fabricant d'assouplissants pour tissu ou du produit.
- Ne pas sécher à la chaleur des articles contenant du caoutchouc mousse ou des matières similaires.
- Nettoyer le filtre à peluches avant ou après chaque charge.
- La grille à l'arrière de la sècheuse doit être propre, exempte de peluches et poussière.
- L'intérieur de la sècheuse doit être nettoyé régulièrement par un personnel d'entretien qualifié.
- Voir la section "Spécifications électriques" dans la section "Instructions d'installation" pour les instructions de mise à la terre.

**CONSERVER CES INSTRUCTIONS**



Avertissements de la proposition 65 de l'État de Californie :

**AVERTISSEMENT :** Ce produit contient au moins un produit chimique connu par l'État de Californie pour être à l'origine de cancers.

**AVERTISSEMENT :** Ce produit contient au moins un produit chimique connu par l'État de Californie pour être à l'origine de malformations et autres déficiences de naissance.

## IMPORTANTES INSTRUCTIONS DE SÉCURITÉ

Avant de jeter ou de ranger votre vieille sècheuse, enlever la porte.

**CONSERVEZ CES INSTRUCTIONS**

## INSTRUCTIONS D'UTILISATION

### Accessoires

#### ACCESSOIRES D'INSTALLATION ET D'ENTRETIEN

**PIÈCES AGRÉÉES PAR LE FABRICANT** – Ces mots désignent des pièces de qualité et des accessoires conçus spécialement pour votre appareil. Une ingénierie qui a fait ses preuves, pour répondre à nos normes de qualité les plus strictes.

#### **PIÈCES AGRÉÉES PAR LE FABRICANT**

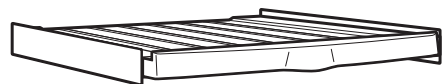
Accessoires conçus pour votre appareil :

Personnaliser votre nouvelle laveuse et sècheuse grâce aux authentiques accessoires Whirlpool suivants. Pour plus d'informations sur les options et sur les possibilités de commande, appeler le **1-866-698-2538**, ou consulter : [www.whirlpool.com/accessories](http://www.whirlpool.com/accessories). Au Canada, composer le **1-800-688-2002** ou visiter notre site Web sur [www.whirlpoolparts.ca](http://www.whirlpoolparts.ca).



#### **Ensemble de superposition**

Si l'espace disponible est restreint, l'ensemble de superposition permet à la sècheuse d'être installée par dessus la laveuse.



#### **Piédestal de 12"**

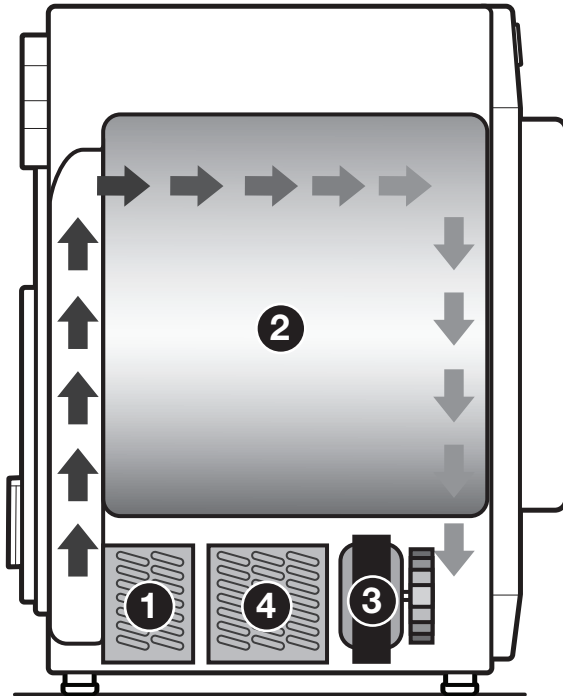
Les piédestaux aux coloris assortis surélèvent la laveuse et la sècheuse pour les amener à une hauteur d'utilisation plus confortable.

# Technologie de pompe à chaleur

Une sècheuse traditionnelle consomme de grandes quantités d'énergie; alors que cette sècheuse utilise une partie de cette énergie en récupérant et recyclant la chaleur. Cette sècheuse est une sècheuse sans évacuation utilisant une pompe à chaleur dont le système de réfrigération assèche et réutilise le même air. Le linge est séché à basse température; ainsi, il peut sembler plus frais que ce que l'on peut attendre pendant et après un séchage.

La phase de séchage des sècheuses à pompe à chaleur dure plus longtemps que celles des sècheuses traditionnelles. Si possible, ne pas ouvrir la porte de la sècheuse durant le séchage, car la chaleur peut s'échapper du tambour et allonger la durée de séchage.

## Pompe à chaleur



- 1 Le condenseur chauffe l'air
- 2 Séchage
- 3 Le ventilateur de pulsage de l'air
- 4 L'évaporateur fait sécher l'air et évacue l'eau de condensation

## Avantages de la pompe à chaleur

- **ÉNERGIE** : Régénère l'énergie pour réduire la consommation totale d'énergie.
- **PERFORMANCE** : Offrent davantage de flexibilité pour gérer les performances de séchage et les économies d'énergie.
- **SOIN DU TISSU** : Moins de chaleur qu'avec une sècheuse à évacuation.
- **CONCEPTION SANS ÉVACUATION** : Offre davantage de possibilités pour l'installation de la sècheuse dans la maison.

## Nouveaux sons émis par la pompe à chaleur

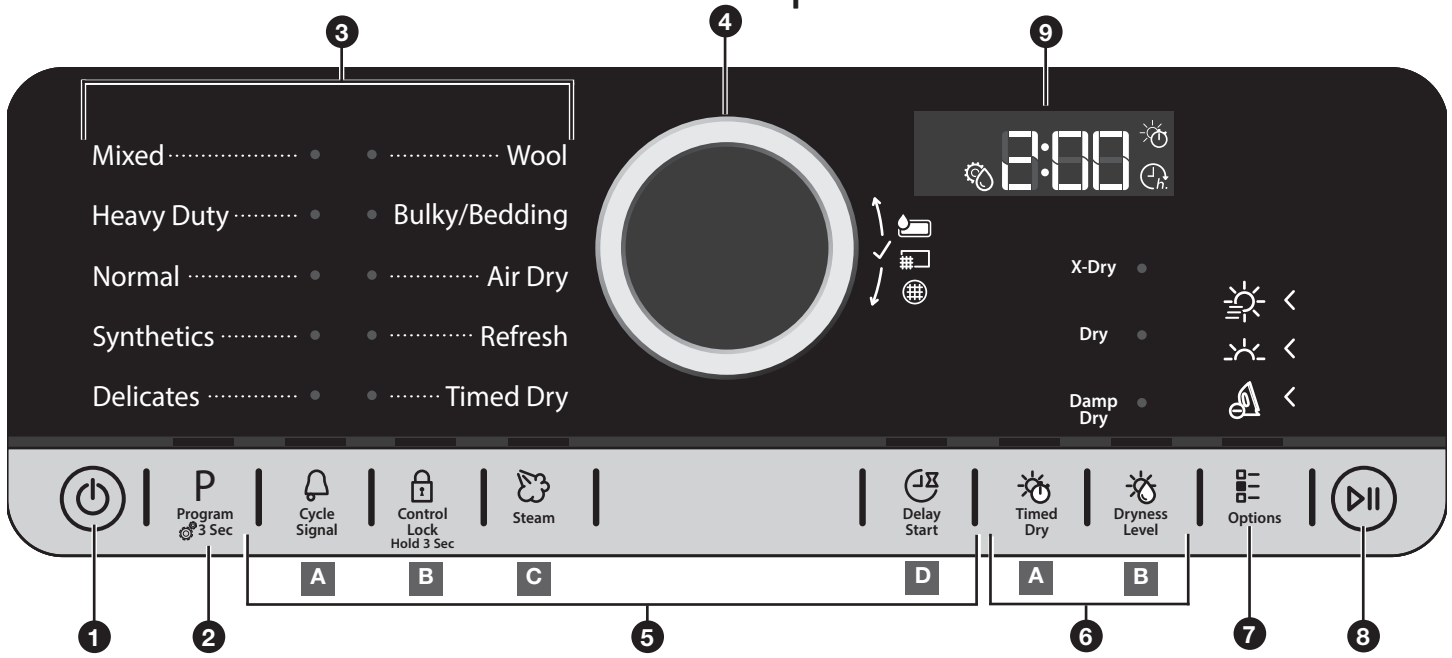
- La sècheuse fonctionne à l'aide d'un compresseur semblable à celui d'un réfrigérateur et l'on peut percevoir un bourdonnement venant du compresseur.
- L'eau provenant des vêtements mouillés est aspirée dans votre conduit de vidange ou dans le réservoir de l'eau. Il est possible que la sècheuse produise des gargouillements.

## Utiliser les programmes automatiques pour un meilleur soin du tissu et davantage d'économies d'énergie

Utiliser les programmes automatiques pour que la sècheuse permette de réaliser davantage d'économies d'énergie et d'apporter un soin supérieur aux tissus. Durant les programmes automatiques, la température de séchage de l'air, la température de la pompe à chaleur et le niveau d'humidité sont détectés dans la charge. Cette détection se produit tout au long du programme de séchage et la sècheuse s'éteint lorsque la charge atteint le degré de séchage sélectionné. Utiliser le niveau de séchage NORMAL pour pouvoir réaliser un maximum d'économies d'énergie.

Avec l'option de séchage minuté, la sècheuse fonctionne pendant la durée réglée, ce qui peut parfois entraîner le rétrécissement ou le froissement du linge et l'accumulation d'électricité statique due au séchage excessif. Utiliser le séchage minuté pour une charge encore humide nécessitant un peu de temps supplémentaire.

# Tableau de commande et caractéristiques



**1 BOUTON DE MISE SOUS TENSION**  
Appuyer jusqu'à ce que les témoins au-dessus du bouton de programme s'allument. Des symboles s'affichent à l'écran et des tonalités retentissent.

**2 BOUTON DE PROGRAMME DE LA SÉCHEUSE**  
Lorsque la sècheuse est mise en marche, le témoin au-dessus du bouton s'allume. Les réglages de programme utilisés la dernière fois s'affichent sur le panneau de commande. Ce bouton permet aussi de régler la conductivité de l'eau (voir la section "Régler la sècheuse à la conductivité de l'eau" pour obtenir plus de renseignements).

**3 ZONE DES PROGRAMMES**  
Un témoin situé près de chaque programme s'allume lorsque le bouton est utilisé pour se déplacer dans la liste. Appuyer sur le bouton lorsque le témoin situé à côté du programme désiré est allumé.

**4 BOUTON DE COMMANDE**  
Tourner le bouton pour sélectionner un programme approprié pour la charge, modifier le niveau de séchage, régler le temps de séchage, programmer un démarrage différé ou sélectionner d'autres options. Appuyer sur le bouton pour confirmer la sélection.

**5 OPTIONS**  
Appuyer pour activer des options de séchage et des réglages supplémentaires avant d'appuyer sur le bouton de mise en marche. Les options de séchage ou les réglages supplémentaires sélectionnés après avoir appuyé sur le bouton de mise en marche/pause pourraient ne pas être actifs.

Pour revenir aux réglages de programme préréglé à l'usine, débrancher la sècheuse pendant 30 secondes, puis la rebrancher.

**REMARQUE :** Toutes les options ne sont pas disponibles avec tous les programmes.

**A Signal de programme**  
Utiliser pour activer ou désactiver le signal qui indique la fin d'un programme de séchage.

**REMARQUE :** Maintenir enfoncé le bouton de signal de programme pendant environ une seconde pour activer ou désactiver le son.

**B Verrouillage des commandes**  
Utiliser pour verrouiller les commandes de la sècheuse et éviter une modification involontaire des options ou préférences au cours d'un programme de séchage.

Pour verrouiller ou déverrouiller les commandes, maintenir CONTROL LOCK (verrouillage des commandes) enfoncé.

**REMARQUE :** Il est possible que la fonction de verrouillage des commandes soit activée après une panne de courant. Pour déverrouiller les commandes, maintenir enfoncé CONTROL LOCK (verrouillage des commandes).

**C Vapeur**  
Toucher pour activer l'option de vapeur, laquelle ajoute de l'humidité à la fin des programmes Service intense, Normal et Synthétiques pour aider à réduire les plis.

**D Mise en marche différée**  
Utiliser pour démarrer à un moment ultérieur le programme.

## 6 RÉGLAGES

**A Séchage minuté**  
Règle la durée du programme de séchage.

**B Niveau de séchage**  
Lors de l'utilisation de programmes automatiques, il est possible de sélectionner un niveau de séchage en fonction du type de charge à sécher.

**REMARQUE :** Le niveau de séchage ne peut être utilisé qu'avec les programmes automatiques.

## 7 AUTRES OPTIONS

**Gagner du temps**  
Option de séchage rapide.

**Délicat**  
Cette option sèche les vêtements de façon délicate en réduisant la température.

**Wrinkle Shield™**  
Cette option aide à éviter l'apparition de faux-plis s'il est impossible de vider la sècheuse à la fin d'un programme. La sècheuse fait périodiquement culbuter la charge pendant quelques minutes après la fin du programme. La période de culbutage peut durer environ 12 heures. Le culbutage peut être arrêté en tout temps en appuyant sur le bouton d'alimentation pour fermer la sècheuse.

**8 BOUTON MISE EN MARCHÉ/PAUSE**  
Appuyer pour mettre la sècheuse en marche ou maintenir enfoncé pour la mettre sur pause.

**9 AFFICHAGE À DEL**  
Lorsqu'on sélectionne un programme, ses réglages par défaut s'allument et la durée restante estimée s'affiche. Des facteurs comme la taille de la charge et le niveau de séchage peuvent affecter la durée affichée.

**Symboles**



Durée de séchage



Mise en marche différée



Réglage de conductivité

**TÉMOINS D'ÉTAT (près du bouton de commande)**

Ces témoins s'allument lorsque certaines situations se produisent.

**Symboles**



Réservoir d'eau plein (voir le point "Vider le réservoir de l'eau" de la section "Utilisation de la sècheuse").



Nettoyer le filtre inférieur (voir le point "Nettoyage du filtre inférieur" de la section "Entretien de la sècheuse").




Nettoyer le filtre de la porte (voir le point "Nettoyage du filtre à charpie" de la section "Entretien de la sècheuse").


## Guide de programmes – Programmes automatiques

Les réglages et options indiqués en **gras** sont les réglages par défaut pour ce programme. Si les réglages sont modifiés, l'appareil garde en mémoire les nouveaux réglages. Dans le cas d'une panne de courant, les réglages sont rétablis aux réglages par défaut. Tous les réglages et options ne sont pas disponibles sur chaque programme.

**Recommandations concernant le volume de la charge**

Pour de meilleurs résultats, suivre les recommandations concernant la taille de la charge mouillée indiquées.






 **Petites charges** : Remplir le tambour de la sècheuse avec 3 ou 4 articles, pas plus d'un quart de sa capacité.

 **Grande charge** : Remplir le tambour de la sècheuse environ aux trois-quarts de sa capacité. Ne pas trop tasser. Les articles doivent pouvoir se déplacer librement.



 **Charges de taille moyenne** : Remplir le tambour de la sècheuse à environ la moitié de sa capacité pour chaque programme.

### Utiliser les programmes automatiques pour un meilleur soin du tissu et davantage d'économies d'énergie

La sècheuse détecte l'humidité présente dans la charge ou la température de l'air et s'éteint lorsque la charge atteint le niveau de séchage sélectionné. Utiliser le niveau de séchage NORMAL pour permettre de réaliser un maximum d'économies d'énergie.

Articles à sécher :	Programme :	Niveau de séchage :	Options disponibles :	Détails du programme :
Charge constituée d'articles de coton, lin ou tissus synthétiques	Mixed (mélangé)	<b>Dry</b>	Wrinkle Shield™	 Utilise un niveau de chaleur modérée pour le séchage de grandes charges composées de tissus et d'articles mixtes.
Articles lourds ou les vêtements de travail lourds	Heavy Duty (service intense)	<b>Dry</b>	Steam Wrinkle Shield™ Gentle	 Offre un séchage échelonné avec un niveau de chaleur élevé au début suivi d'un niveau de chaleur modéré pour un meilleur soin des tissus et davantage d'économies d'énergie.
Vêtements de travail, différents cotons et velours côtelé	Normal	Extra Dry <b>Dry</b> Damp Dry	Steam Dryness Level Wrinkle Shield™ Gentle Save Time	 Utilise un niveau de chaleur modérée pour le séchage de grandes charges composées d'articles de coton ou de tissus et d'articles mixtes. Inversion du sens du culbutage de façon périodique pour redistribuer la charge et offrir un séchage égal.
Vêtements normalement tachés, fabriqués de fibres artificielles ou de mélange de coton	Synthetics (synthétiques)	Extra Dry <b>Dry</b> Damp Dry	Steam Dryness Level Wrinkle Shield™ Gentle	 Utilise une chaleur plus faible que le programme normal. Inversion du sens du culbutage de façon périodique pour redistribuer la charge et offrir un séchage égal.
Sous-vêtements, chemisiers, lingerie vêtements d'athlétisme	Delicates (articles délicats)	<b>Dry</b>	Wrinkle Shield™	 Utilise un niveau de chaleur très basse pour sécher en douceur les articles délicats.

## Guide de programmes – Programmes automatiques (suite)

Articles à sécher :	Programme :	Niveau de séchage :	Options disponibles :	Détails du programme :
Articles en laine munis du logo Woolmark et identifiés comme pouvant être lavés à la machine, ainsi que les tissus de soie (consulter les recommandations de l'étiquette d'entretien), lin, laine et viscose identifiés comme pouvant être lavés à la main seulement	Wool (lainages)	Dry	N/A	 Utilise peu de chaleur pour offrir une courte touche de finition aux articles qui ont été séchés à l'air seulement.
Vestes, couettes, couvertures	Bulky/ Bedding (volumineux/ Lingerie)	Dry	Wrinkle Shield™	 À utiliser pour le séchage de gros articles volumineux; ne pas surcharger le tambour. À mi-programme, le signal retentit pour indiquer de ré-agencer les articles pour un séchage optimal.

## Guide de programmes – Programmes minutés

Les réglages et options indiqués en **gras** sont les réglages par défaut pour ce programme. Si les réglages sont modifiés, l'appareil garde en mémoire les nouveaux réglages. Dans le cas d'une panne de courant, les réglages sont rétablis aux réglages par défaut. Tous les réglages et options ne sont pas disponibles sur chaque programme.



### Recommandations concernant le volume de la charge

Pour de meilleurs résultats, suivre les recommandations concernant la taille de la charge mouillée indiquées.

### Ajustement de la durée de séchage sur les programmes minutés


Lorsqu'on sélectionne un programme minuté ou Séchage à l'air, la durée apparaît sur l'affichage. Utiliser le bouton pour régler le temps de séchage entre 10 et 180 minutes (3 heures).



Articles à sécher :	Programme :	Options disponibles :	Détails du programme :
N'importe quelle charge <b>REMARQUE :</b> Sécher sur une corde à linge la mousse, le caoutchouc, le plastique et les tissus sensibles à la chaleur.	Air Dry (séchage à l'air)	Wrinkle Shield™	 Pour aérer, rafraîchir et dégager la charge sans utiliser de chaleur.
N'importe quelle charge	Timed Dry (séchage minuté)	Wrinkle Shield™	 À utiliser pour sécher les articles en utilisant peu de chaleur jusqu'à un niveau humide pour les articles qui ne nécessitent pas un programme de séchage complet.

## Guide de programmes – Programme de rafraîchissement

Le programme de rafraîchissement est conçu pour être utilisé avec les charges sèches afin d'aplanir les plis, de réduire les odeurs et de rafraîchir les vêtements.

Articles à rafraîchir :	Programme :	Options disponibles :	Détails du programme :
Chemises, chemisiers et pantalons tout-aller	Refresh (rafraîchissement)	Dry	 Utiliser pour réduire les odeurs et les légers plis. Ne pas ajouter d'assouplissant textile en feuilles pour sècheuse. Avant de charger la sècheuse, vaporiser un maximum de 6,8 oz (200 ml) d'eau dans le tambour.

### Niveau de séchage :

Dry (séchage)  
Extra dry (très sec)  
Damp Dry (séchage humide)

### Options disponibles :

Steam (vapeur)  
Dryness level (niveau de séchage)  
Wrinkle Shield™ (antifroissement)  
Gentle (doux)  
Save Time (gagner du temps)

# Utilisation de la sècheuse

## ⚠ AVERTISSEMENT



### Risque d'explosion

Garder les matières et les vapeurs inflammables, telle que l'essence, loin de la sècheuse.

Ne pas faire sécher un article qui a déjà été touché par un produit inflammable (même après un lavage).

Le non-respect de ces instructions peut causer un décès, une explosion ou un incendie.

**AVERTISSEMENT :** Pour réduire le risque d'incendie, de choc électrique ou de blessures corporelles, lire les INSTRUCTIONS IMPORTANTES DE SÉCURITÉ avant de faire fonctionner cet appareil.

## ⚠ AVERTISSEMENT



### Risque d'incendie

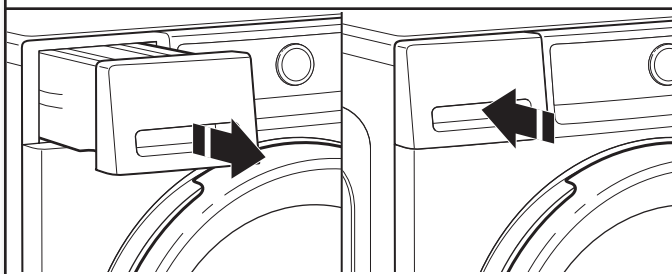
Aucune laveuse ne peut complètement enlever l'huile.

Ne pas faire sécher des articles qui ont été salis par tout genre d'huile (y compris les huiles de cuisson).

Ne pas sécher d'articles contenant de la mousse, du caoutchouc ou du plastique dans cette sècheuse.

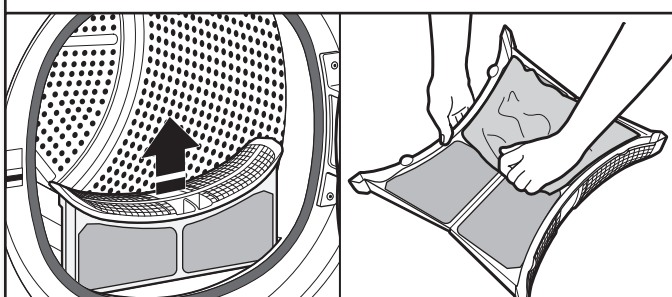
Le non-respect de ces instructions peut causer un décès ou un incendie.

## 1. Vider le réservoir de l'eau



Tenir la poignée et retirer doucement le réservoir d'eau. Vider la bouteille en la tenant à deux mains. Remettre ensuite le contenant en place. S'assurer qu'il est bien inséré.

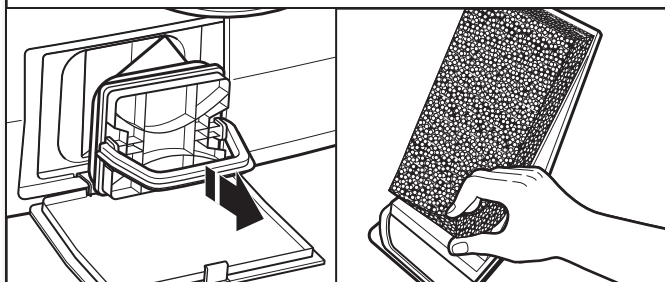
## 2. Nettoyer le filtre à charpie de la porte



Nettoyer le filtre à charpie avant chaque charge. Enlever le filtre à charpie en le tirant vers le haut. Appuyer sur l'onglet et ouvrir le filtre à charpie. Retirer la charpie du filtre en la roulant avec les doigts. Bien remettre le filtre à charpie en place.


**IMPORTANT :** Nettoyer le filtre à charpie avant chaque séchage puisqu'un filtre obstrué augmentera le temps de séchage.

## 3. Nettoyer le filtre inférieur



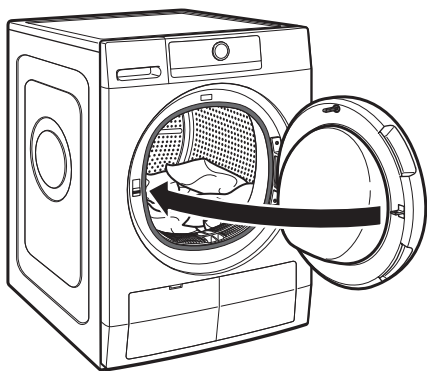
Nettoyer le filtre du bas tous les 5 programmes. Ouvrir la porte du filtre au bas de la sècheuse et sortir le filtre en tirant sur la poignée. Décoller la mousse du filtre du bas. Nettoyer la mousse du filtre et le filtre à la main ou les rincer à l'eau — ne pas nettoyer la mousse du filtre à la laveuse. Bien essorer la mousse du filtre, ne pas la remettre en place si elle est très mouillée. Pour plus d'informations sur le nettoyage, voir la section "Entretien de la sècheuse".

Replacer la mousse du filtre du bas. Replacer le filtre du bas dans son compartiment. Replier la poignée du filtre et fermer la porte du bas.

**REMARQUE :** Pour désactiver le témoin d'état "Nettoyer le filtre inférieur" (  ), enlever et remplacer le filtre, appuyer sur le bouton de mise sous tension et s'assurer qu'aucun programme n'est en cours.



## 4. Charger la sécheuse



Ouvrir la porte en tirant sur la poignée. Placer la charge dans la sécheuse. Ajouter une feuille de réduction de l'électricité statique pour tissu si désiré. Fermer la porte.

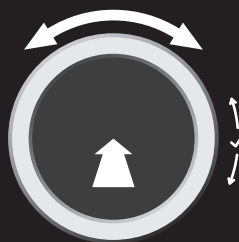
**IMPORTANT :** Ne pas surcharger la sécheuse. Les articles doivent pouvoir se déplacer librement. Des vêtements que l'on aurait tassés dans la charge pourraient entraîner une mauvaise performance de séchage et davantage de froissement et d'emmêlement.

## 5. Appuyer sur le bouton de marche pour mettre la sécheuse en marche



## 6. Sélectionner le programme

Mixed ..... • Wool  
Heavy Duty ..... • Bulky/Bedding  
Normal ..... • Air Dry  
Synthetics ..... • Refresh  
Delicates ..... • Timed Dry

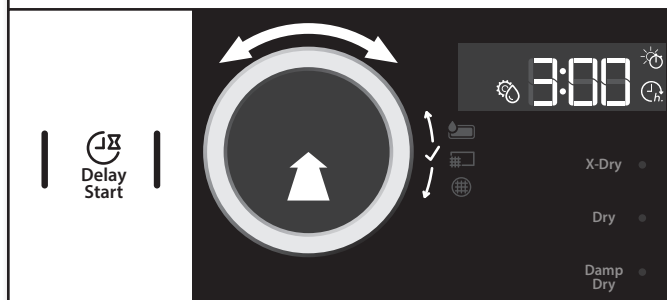


Tourner le bouton de programme pour sélectionner un programme correspondant à la charge à sécher. En tournant le bouton, un témoin lumineux s'allume à côté du nom du programme, à la gauche du bouton. Arrêter de tourner lorsque le témoin situé à côté du programme désiré est allumé. Appuyer sur le bouton pour confirmer la sélection. Voir "Guide de programmes" pour plus de détails concernant les caractéristiques de programmes.

## 7. Sélectionner les options (si désiré)



## 8. Réglage d'une mise en marche différée, si désiré



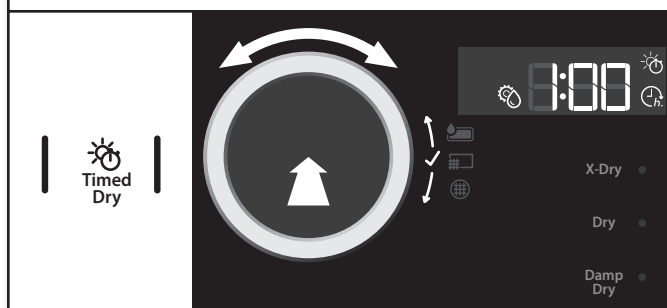
Si l'on ne souhaite pas démarrer un programme immédiatement, on peut choisir l'option Delay Start (mise en marche différée). Ceci retarde le démarrage du programme de séchage pendant un maximum de 23 heures.

**Pour régler une mise en marche différée :**

1. Appuyer sur le bouton de mise en marche différée pour sélectionner le délai souhaité.
2. Faire tourner le bouton pour obtenir le nombre d'heures souhaité avant la mise en marche du programme de séchage. Le délai apparaît sur l'afficheur. Appuyer sur le bouton pour confirmer la sélection.

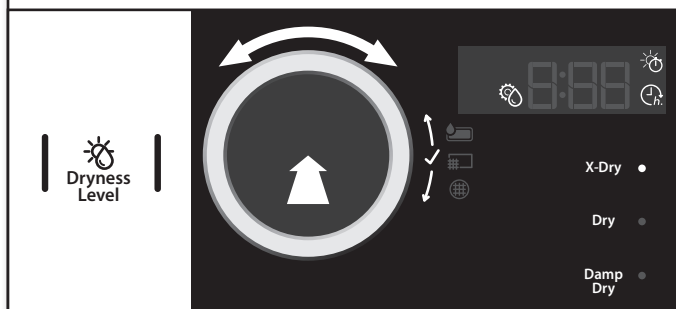
Après avoir appuyé sur le bouton de mise en marche/pause, la minuterie démarre jusqu'à ce que le temps soit écoulé. La sécheuse se met en marche et l'affichage indique le temps restant au programme.

## 9. Si un séchage à l'air ou un séchage minuté a été sélectionné, régler le temps de séchage



Le témoin lumineux situé au-dessus de "Timed Dry" (séchage minuté) s'allume au moment du réglage de la minuterie. Tourner le bouton pour sélectionner la durée souhaitée, elle peut atteindre 180 minutes. Appuyer sur le bouton pour confirmer la sélection.

## 10. Si un programme automatique a été sélectionné, régler le niveau de séchage



Le témoin lumineux situé au-dessus de "Dryness Level" (niveau de séchage) s'allume lorsqu'un programme automatique est sélectionné. Tourner le bouton pour sélectionner le niveau souhaité. En tournant le bouton, un témoin lumineux s'allume à côté du niveau de séchage, à la droite du bouton. Arrêter de tourner lorsque le témoin situé à côté du niveau désiré est allumé. Appuyer sur le bouton pour confirmer la sélection.

## 11. Sélectionner toute option supplémentaire\*



Le témoin lumineux au-dessus de "Options" s'allume après avoir réglé le temps de séchage ou le niveau de séchage. Tourner le bouton pour sélectionner les options souhaitées. En tournant le bouton, les symboles d'option situés au-dessus du bouton d'options s'allument un à la fois. Arrêter de tourner lorsque le témoin situé à côté de l'option désirée est allumé. Appuyer sur le bouton pour confirmer la sélection.

\*Tous les réglages et options ne sont pas disponibles avec tous les programmes. Voir la section "Guide de programmes" pour consulter les options et réglages offerts.

## 12. Appuyer sur le bouton de mise en marche/pause pour démarrer un programme de séchage



Appuyer sur le bouton de mise en marche/pause pour démarrer le programme de séchage. Pour suspendre un programme en cours, appuyer une fois sur le bouton de mise en marche/pause, puis appuyer de nouveau pour poursuivre le programme. Pour annuler un programme, appuyer sur le bouton d'alimentation.

## 13. Appuyer sur le bouton d'alimentation pour fermer la sécheuse à la fin d'un programme



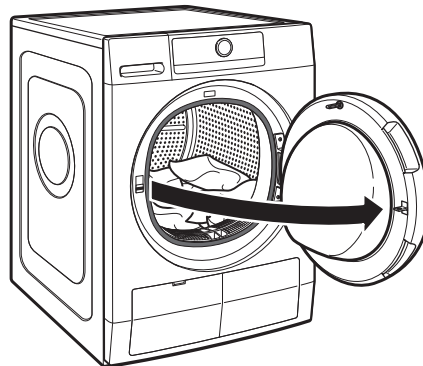
Appuyer sur le bouton d'alimentation pour fermer la sécheuse lorsque l'affichage indique que le programme est terminé. Ouvrir la porte et sortir la charge.

Pour consommer moins d'énergie, la sécheuse se ferme automatiquement environ 15 minutes après la fin d'un programme.

Si la sécheuse n'est pas éteinte à la fin du programme, elle fera culbutter la charge environ 10 minutes pour prévenir les plis. Une animation s'affiche.

**REMARQUE :** Une minuterie s'affiche lorsque le bouton d'alimentation est maintenu enfoncé. À la fin de la minuterie, toute erreur sera supprimée et le programme démarrera de nouveau.

## 14. Retirer rapidement les vêtements une fois le programme terminé



Retirer rapidement les vêtements une fois le programme terminé pour réduire le froissement.

## Régler la sécheuse à la conductivité de l'eau

La qualité du séchage est touchée par la conductivité de l'eau utilisée pendant le lavage. Si, en modifiant les niveaux de séchage disponibles (légèrement humide, sec, très sec), le résultat de séchage n'est pas satisfaisant, il est possible de modifier le niveau du réglage de conductivité de l'eau. La sécheuse est préréglée au niveau 3. Choisir entre le niveau 1 (résultat le moins sec) et 5 (résultat le plus sec).

1. Maintenir enfoncé le bouton de Program. Une minuterie s'affiche jusqu'à ce que le symbole de réglage de conductivité d'eau clignote à l'affichage et que le réglage actuel apparaisse.



2. Tourner le bouton pour régler le niveau (1, 2, 3, 4, 5). Appuyer sur le bouton pour confirmer la sélection.

**REMARQUE :** Ce nouveau réglage touchera tous les programmes futurs. Un nouveau réglage de la conductivité de l'eau ne sera pas nécessaire si le résultat de séchage obtenu est satisfaisant.

# Entretien de la sècheuse

## NETTOYAGE DE L'EMPLACEMENT DE LA SÈCHEUSE

Éviter de laisser autour de la sècheuse des éléments qui pourraient obstruer la circulation de l'air et empêcher le bon fonctionnement de la sècheuse. Ceci implique de dégager également les éventuelles piles de linge placées devant la sècheuse.

## ⚠ AVERTISSEMENT



### Risque d'explosion

Garder les matières et les vapeurs inflammables, telle que l'essence, loin de la sècheuse.

Placer la sècheuse au moins 460 mm (18 po) au-dessus du plancher pour une installation dans un garage.

Le non-respect de ces instructions peut causer un décès, une explosion ou un incendie.

## NETTOYAGE DE L'INTÉRIEUR DE LA SÈCHEUSE

### Nettoyage du tambour de la sècheuse :

1. Utiliser un détergent à vaisselle doux mélangé à une faible concentration d'eau très chaude et frotter avec un chiffon doux.
2. Rincer soigneusement avec une éponge ou une serviette mouillée
3. Faire culbuter une charge de linge ou de serviettes propres pour sécher le tambour

OU

Utiliser un chiffon en microfibre et de l'eau chaude dans un flacon de vaporisation pour nettoyer le tambour et une deuxième serviette en microfibre pour le séchage.

## RETIRER LA CHARPIE ACCUMULÉE

### De l'intérieur de la caisse de la sècheuse

Retirer la charpie tous les 2 ans, ou plus souvent, selon l'utilisation de la sècheuse. Le nettoyage doit être effectué par un réparateur qualifié.

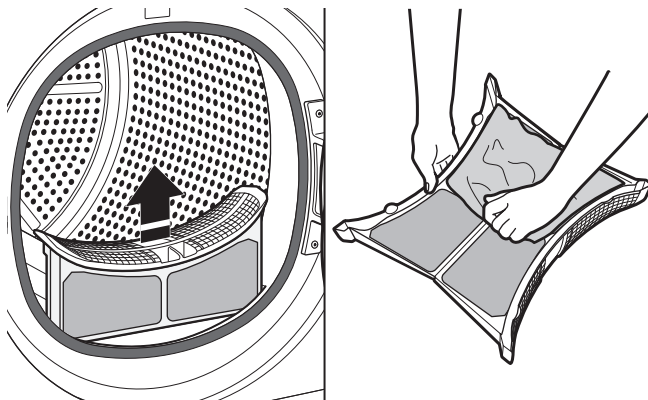
## NETTOYAGE DU FILTRE À CHARPIE

### Nettoyer le filtre à charpie après chaque charge.

Le filtre à charpie se trouve dans l'ouverture de la porte de la sècheuse. Un filtre obstrué de charpie peut augmenter la durée de séchage.

### Nettoyage :

1. Tirer sur le filtre à charpie tout droit vers le haut pour le sortir. Abaisser l'onglet vers le bas et ouvrir le filtre à charpie. Retirer la charpie du filtre en la roulant avec les doigts.



2. Remettre le filtre à charpie fermement en place en l'enfonçant.

### IMPORTANT :

- Ne pas faire fonctionner la sècheuse si le filtre à charpie est déplacé, endommagé, obstrué ou manquant. Une telle action peut causer une surchauffe ou des dommages à la sècheuse et aux tissus.

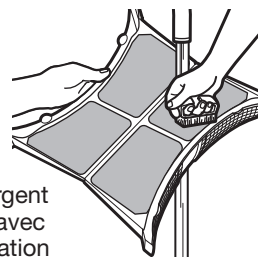
### Nettoyage au besoin

Des résidus de détergent ou d'assouplisseur de tissu peuvent s'accumuler sur le filtre à charpie. Cette accumulation peut entraîner des temps de séchage plus longs, ou entraîner l'arrêt de la sècheuse avant que la charge ne soit complètement sèche.

Nettoyer le filtre à charpie avec une brosse de nylon tous les six mois ou plus fréquemment s'il se bouche en raison d'une accumulation de résidus.

### Nettoyage du filtre à charpie :

1. Retirer la charpie du filtre en la roulant avec les doigts.
2. Mouiller les deux côtés du filtre à charpie avec de l'eau chaude.
3. Mouiller une brosse en nylon avec de l'eau chaude et du détergent liquide. Frotter le filtre à charpie avec la brosse pour enlever l'accumulation de résidus.
4. Rincer le filtre à l'eau chaude.
5. Bien sécher le filtre à charpie avec une serviette propre. Réinstaller le filtre dans la sècheuse.

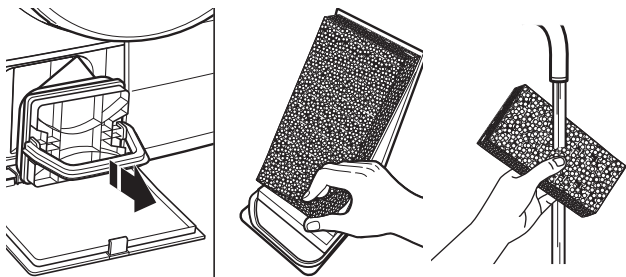


## NETTOYAGE DU FILTRE INFÉRIEUR

### Nettoyer le filtre inférieure toutes les 5 charges.

Le filtre se trouve dans le coin inférieur de la sècheuse.

1. Ouvrir la porte du filtre sur le bas de la sècheuse et sortir le filtre en tirant sur la poignée. Décoller la mousse du filtre du bas. Nettoyer la mousse du filtre et le filtre à la main ou rincer à l'eau — ne pas nettoyer la mousse du filtre à la laveuse. Bien essorer la mousse du filtre, ne pas la remettre en place si elle est très mouillée.



2. Replacer la mousse du filtre du bas. Replacer le filtre du bas dans son compartiment. Replier la poignée du filtre et fermer la porte du bas.

### IMPORTANT :

- Ne pas faire fonctionner la sècheuse si le filtre est desserré, endommagé, obstrué ou manquant. Une telle action peut causer une surchauffe ou des dommages à la sècheuse et aux tissus.

## PRÉCAUTIONS À PRENDRE EN CAS DE NON UTILISATION, D'ENTREPOSAGE ET DE DÉMÉNAGEMENT

### Entretien en cas de non-utilisation ou d'entreposage

Si l'utilisateur doit partir en vacances ou n'utilise pas la sècheuse pendant une période prolongée, il convient d'exécuter les opérations suivantes :

1. Vider le réservoir d'eau.
2. Débrancher la sècheuse ou déconnecter la source de courant électrique.
3. Nettoyer le filtre à charpie. Voir "Nettoyage du filtre à charpie".
4. Sous un climat froid, remiser la sècheuse à l'abri du gel. Il est possible que de l'eau stagne dans le tuyau; ceci pourrait endommager la sècheuse en période de gel.

### Précautions à prendre avant un déménagement

#### Sécheuses alimentées par cordon d'alimentation :

1. Vder le réservoir d'eau.
2. Déconnecter le cordon d'alimentation électrique.
3. S'assurer que les pieds de nivellement sont solidement fixés à la base de la sècheuse.
4. Utiliser du ruban adhésif pour fixer la porte de la sècheuse.

## ⚠ AVERTISSEMENT



### Risque de choc électrique

**Déconnecter la source de courant électrique avant l'entretien.**

**Replacer pièces et panneaux avant de faire la remise en marche.**

**Le non-respect de ces instructions peut causer un décès ou un choc électrique.**

## PRÉCAUTIONS À PRENDRE EN CAS DE NON UTILISATION, D'ENTREPOSAGE ET DE DÉMÉNAGEMENT (suite)

### Sécheuses à raccordement direct :

1. Vider le réservoir d'eau.
2. Déconnecter la source de courant électrique.
3. Déconnecter le câblage.
4. S'assurer que les pieds de nivellement sont solidement fixés à la base de la sècheuse.
5. Utiliser du ruban adhésif pour fixer la porte de la sècheuse.

### Réinstallation de la sècheuse

Suivre les "Instructions d'installation" pour choisir l'emplacement, régler l'aplomb de la sècheuse et la raccorder.

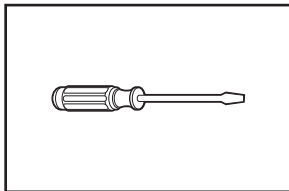
# INSTRUCTIONS D'INSTALLATION

## Exigences d'installation

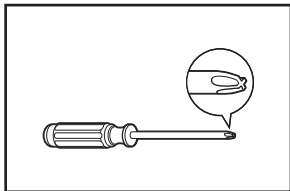
### OUTILS ET PIÈCES

Rassembler les outils et pièces nécessaires avant d'entreprendre l'installation.

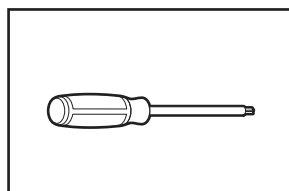
#### Outillage nécessaire :



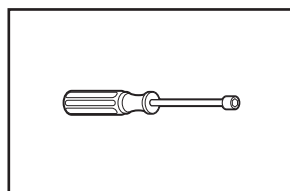
Tournevis à lame plate



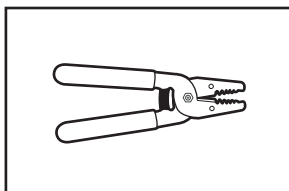
Tournevis Phillips n° 2



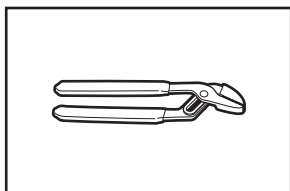
Tournevis TORX® T20®†  
au moins 8" de long



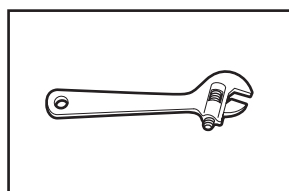
Tourne-écrou de 1/4"  
(6 mm) et de 5/16"  
(7,9 mm) (recommandé)



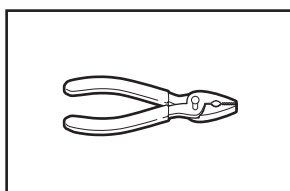
Pince à dénuder  
(pour les installations  
à raccordement direct)



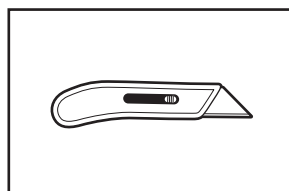
Pince multiprise



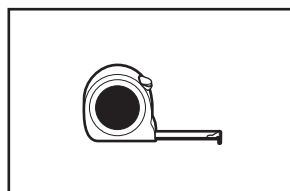
Clé à molette avec  
ouverture jusqu'à  
25 mm (1") ou clé  
à douille hexagonale



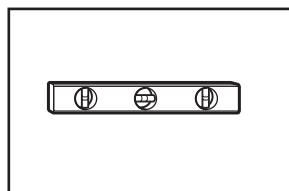
Pince



Couteau utilitaire



Ruban à mesurer



Niveau

### En cas d'utilisation d'un câble d'alimentation électrique :

Utiliser un ensemble de câble d'alimentation électrique homologué UL marqué pour utilisation avec les sècheuses à vêtements. L'ensemble doit contenir :

- Un câble d'alimentation électrique homologué UL de 30 ampères, 120/240 volts minimum. Le câble doit être de type SRD ou SRDT et mesurer au moins 4 pi (1,22 m) de long. Les fils raccordés à la sècheuse doivent se terminer par des cosses rondes ou à fourche à pointes relevées.

### Accessoires supplémentaires : (non incluses avec la sècheuse)

Consulter les "Instructions d'utilisation" pour plus d'informations sur les accessoires disponibles qui conviennent à votre sècheuse.

# Exigences d'emplacement

Vérifier les spécifications des codes. Certains codes limitent ou interdisent l'installation des sècheuses dans un garage, un placard, une résidence mobile ou une chambre à coucher. Contacter l'inspecteur en bâtiments local.

## ⚠️ AVERTISSEMENT



### Risque d'explosion

**Garder les matières et les vapeurs inflammables, telle que l'essence, loin de la sècheuse.**

**Placer la sècheuse au moins 460 mm (18 po) au-dessus du plancher pour une installation dans un garage.**

**Le non-respect de ces instructions peut causer un décès, une explosion ou un incendie.**

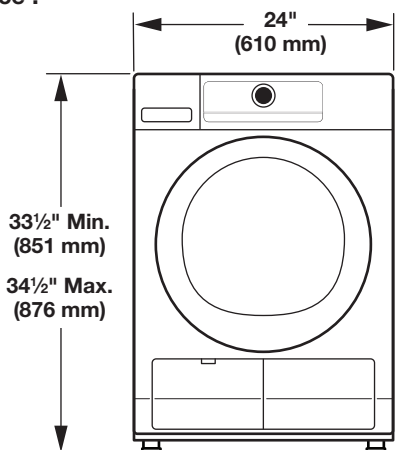
### Il vous faudra :

- Un circuit séparé de 30 ampères.
- Si on utilise un cordon d'alimentation, une prise électrique reliée à la terre située à 2 pi (610 mm) maximum d'un des côtés de la sècheuse. Voir "Spécifications électriques".
- Le plancher doit pouvoir soutenir le poids de la sècheuse de 200 lb (90,7 kg). Tenir également compte du poids des appareils voisins.
- Un plancher de niveau avec une pente maximale de 1" (25 mm) sous l'ensemble de la sècheuse. Si la pente vers l'avant est supérieure à 1 po (25 mm), de l'eau peut s'écouler de l'avant du filtre. Si la sècheuse n'est pas de niveau, le linge peut ne pas culbutter convenablement et les programmes de détection automatiques peuvent ne pas fonctionner correctement.
- Pour une installation dans un garage, placer la sècheuse au moins 18" (460 mm) au-dessus du plancher. En cas d'utilisation d'un piédestal, il faudra 18" (460 mm) jusqu'au bas de la sècheuse.

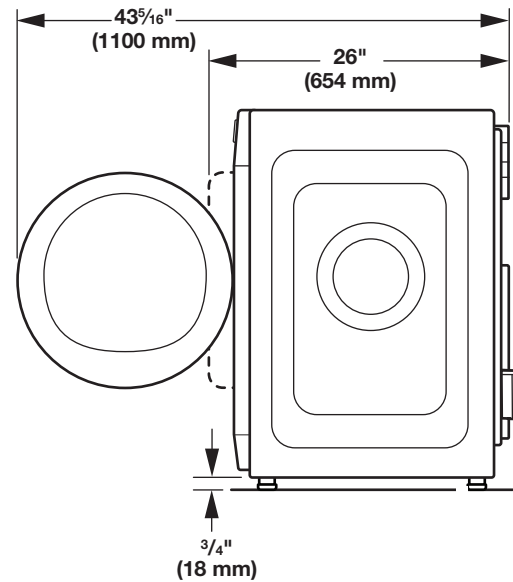
**IMPORTANT :** Ne pas installer, remiser ou faire fonctionner la sècheuse à un emplacement où elle sera exposée à de l'eau, des intempéries ou à des températures inférieures à 40°F (4°C). À des températures inférieures, la sècheuse pourrait ne pas s'arrêter à la fin des programmes de détection automatique, ce qui entraînerait le prolongement du temps de séchage.

### DIMENSIONS DE LA SÈCHEUSE

#### Vue de face :



#### Vue latérale :



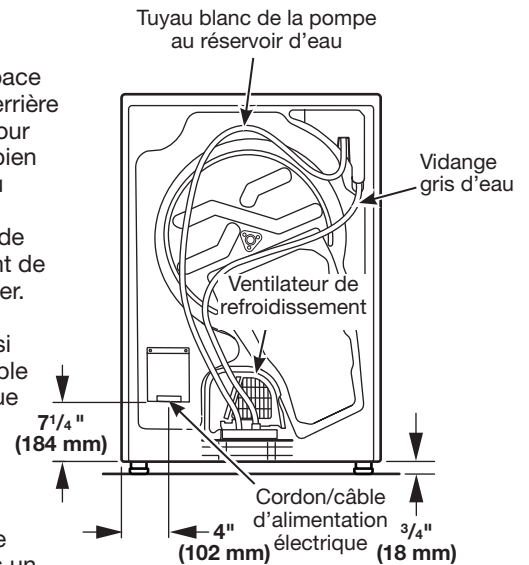
#### Vue arrière :

#### REMARQUES :

- Laisser un espace convenable derrière la sècheuse pour permettre de bien placer le tuyau de vidange et au ventilateur de refroidissement de bien fonctionner. Repousser la sècheuse aussi loin que possible et s'assurer que le tuyau de vidange n'est pas écrasé ou déformé.

- L'eau peut être vidangée dans un endroit différent. Retirer l'extrémité supérieure du tuyau blanc du réservoir d'eau et installer, par exemple, dans un rejet d'égout au plancher. (Voir "Système de vidange".)

**IMPORTANT :** Ne pas bloquer le ventilateur de refroidissement, cela pourrait empêcher la sècheuse de fonctionner correctement.



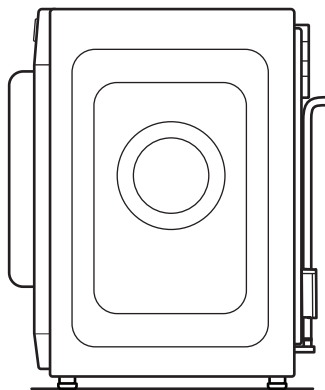
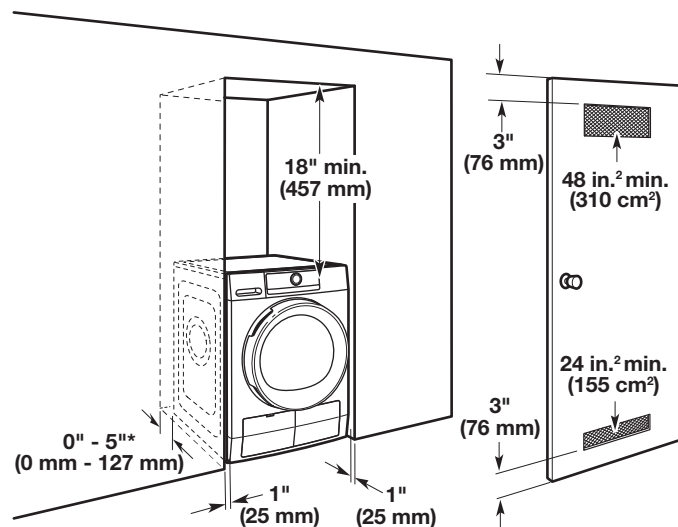


## Espacement pour une installation dans un encastrement ou dans un placard

Les dimensions indiquées correspondent à l'espacement minimal permis.

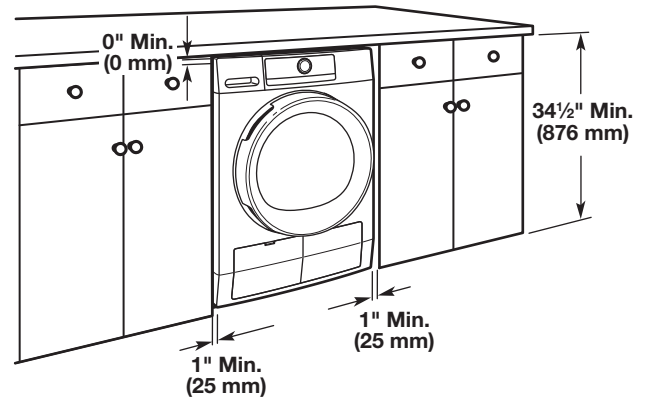
- Prévoir davantage d'espace pour faciliter l'installation et l'entretien.
- Un espace supplémentaire peut être requis pour le mur, la porte, le plancher, les moulures et le système de vidange.
- Un espace supplémentaire doit être envisagé de tous les côtés de la sècheuse afin de réduire le transfert de bruit.
- Pour installation dans un placard avec porte, on doit prévoir des ouvertures minimums d'entrée d'air en haut et en bas de la porte. Les portes à claire-voie offrant des ouvertures équivalentes de passage de l'air sont acceptables.
- Il faut aussi prendre en compte l'espace requis entre les appareils voisins.

## Distances de dégagement recommandées pour l'installation (sècheuse seulement) :



**\*REMARQUE :**  
Un espacement de 0" à 5" (0 mm à 127 mm) est permis derrière la sècheuse pour empêcher le tuyau d'évacuation de se déformer ou de se coincer.

## Installation sous comptoir personnalisée :



## Installation dans une résidence mobile – Exigences supplémentaires :

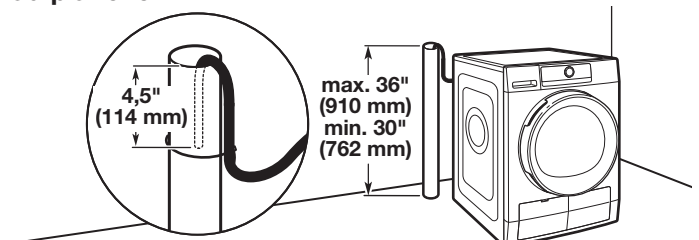
Cette sècheuse peut être installée dans une maison mobile. L'installation doit se conformer aux critères de la Manufactured Home Construction and Safety Standard, Titre 24 CFR, partie 3280 (anciennement Federal Standard for Mobile Home Construction and Safety, Titre 24 HUD, partie 280) ou de la Norme CAN/CSA-Z240 MH.

## Système de vidange

Le système de vidange de la laveuse peut être installé en connectant le tuyau blanc à un avaloir sol, un tuyau rigide de rejet à l'égout mural, un tuyau rigide de rejet à l'égout au sol ou un évier de buanderie plutôt qu'au réservoir d'eau. Sélectionner la méthode à utiliser.

**IMPORTANT :** Pour éviter un effet de siphon, seuls 4,5" (114 mm) de tuyau de vidange doit se trouver à l'intérieur du tuyau de rejet à l'égout. Ne pas introduire toute la longueur du tuyau en surplus dans le tuyau rigide. Toujours immobiliser le tuyau de vidange avec un serre-câble (non fourni).

## Système de vidange avec tuyau de rejet à l'égout au plancher



Diamètre minimal pour un tuyau de rejet à l'égout : 2" (51 mm). Le tuyau vertical de rejet à l'égout doit avoir une hauteur d'au moins 30" (762 mm); ne pas l'installer à une hauteur supérieure à 36" (910 mm) du bas de la sècheuse.

# Spécifications électriques – États-Unis seulement

## C'est à l'utilisateur qu'incombe la responsabilité de :

- Contacter un électricien qualifié.
- S'assurer que le raccordement électrique est adéquat et conforme au code national de l'électricité, ANSI/NFPA 70 – dernière édition, et à tous les codes et règlements locaux en vigueur.

Le National Electrical Code impose un raccordement à 4 fils de l'alimentation électrique pour les maisons construites après 1996, les circuits de sècheuses modifiés après 1996 et toutes les installations en maisons mobiles.

On peut obtenir une copie des normes susmentionnées auprès de la National Fire Protection Association, Batterymarch Park, Quincy, MA 02269.

- L'appareil doit être alimenté uniquement par un circuit monophasé à 3 ou 4 fils de 120/240 V CA, 60 Hz (ou 3 ou 4 fils, 120/208 volts, si précisé sur la plaque signalétique) sur un circuit séparé à 30 ampères, protégé par un fusible ou un disjoncteur sur chacun des 2 câbles. On recommande également que cet appareil soit alimenté par un circuit indépendant. Ne pas avoir de fusible dans le circuit neutre ou de liaison à la terre.
- Ne pas utiliser de rallonge.
- Si les codes le permettent et si l'on utilise un conducteur distinct de liaison à la terre, il est recommandé qu'un électricien qualifié vérifie la qualité de la liaison à la terre.

## Raccordement électrique

Pour installer le sèche-linge de façon appropriée, il faut établir le type de raccords électriques que l'on utilisera et suivre les instructions aux présentes.

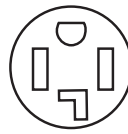
- Cette sècheuse est prêt à l'installation avec un raccordement à l'alimentation électrique à 3 fils. Un fil de terre neutre (conducteur blanc) est fourni entre la connexion neutre d'alimentation (borne centrale) et le point de mise à la terre externe de la sècheuse (la vis verte). Si la sècheuse est installée avec un raccordement à 4 fils à l'alimentation électrique, une extrémité du fil de terre neutre doit être retirée de la vis du connecteur de terre externe (vis verte) et fixée sous la borne du neutre (vis du centre) du bornier. Lorsque les deux extrémités du fil de terre neutre sont fixées sous la borne du neutre (fil du centre ou blanc) du bornier, la caisse de la sècheuse est isolée du conducteur neutre. Le conducteur vert de mise à la terre du cordon d'alimentation à 4 conducteurs doit être fixé à la caisse de la sècheuse à l'aide de la vis verte de liaison à la terre.
- Si les codes locaux n'autorisent pas le raccordement d'un conducteur de liaison à la terre au fil neutre, voir "Raccordement optionnel à 3 fils".
- Un raccordement à 4 fils de l'alimentation électrique doit être utilisé lorsque l'appareil est installé dans un lieu où la mise à la terre par le conducteur neutre est interdite. Il est interdit de relier l'appareil à la terre par l'intermédiaire du conducteur neutre dans les cas suivants : (1) nouvelle installation de circuit secondaire après 1996, (2) résidence mobile, (3) véhicule récréatif, et (4) juridictions dans lesquelles le code local interdit la liaison à la terre par l'intermédiaire du conducteur neutre.

## En cas d'utilisation d'un câble d'alimentation électrique :

Utiliser un ensemble de câble d'alimentation électrique homologué UL marqué compatible avec les sècheuses. L'ensemble doit contenir :

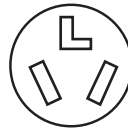
- Un câble d'alimentation électrique homologué UL de 30 ampères, 120/240 volts minimum. Le cordon doit être de type SRD ou SRDT et mesurer au moins 4 pi (1,22 m) de long. Les fils raccordés à la sècheuse doivent se terminer par des cosses rondes ou à fourche à pointes relevées.

## Si la prise murale ressemble à cela :



Prise murale à 4 fils (14-30R)

Choisir un câble d'alimentation à 4 fils avec cosses rondes ou à fourche et un serre-câble homologué UL. Le cordon d'alimentation électrique à 4 fils, d'au moins 4 pi (1,22 m) de long, doit avoir 4 fils en cuivre torsadés de calibre n° 10 et une fiche à 4 fils correspondante de type NEMA 14-30R. Le fil de liaison à la terre (le conducteur de liaison à la terre) peut être vert ou nu. Le conducteur neutre doit être identifié par une gaine blanche.



Prise murale à 3 fils (10-30R)

Choisir un câble d'alimentation à 3 fils avec cosses rondes ou à fourche et un serre-câble homologué UL. Le cordon d'alimentation électrique à 3 fils, d'au moins 4 pi (1,22 m) de long, doit avoir 3 fils en cuivre torsadés de calibre n° 10 et une fiche à 3 fils correspondante de type NEMA 10-30R.

## Pour le raccordement direct :

Le câble d'alimentation doit correspondre à l'alimentation électrique (4 fils ou 3 fils) et être :

- Un câble en cuivre à gaine non métallique ou blindé souple (avec fil de liaison à la terre), avec conduit métallique souple. Tous les fils sous tension doivent être isolés.
- Fil en cuivre plein de calibre 10 (ne pas utiliser d'aluminium) d'au moins 5 pi (1,52 m) de long.

## INSTRUCTIONS DE LIAISON À LA TERRE

- Pour une sècheuse reliée à la terre et connectée par un cordon :

Cette sècheuse doit être reliée à la terre. En cas de mauvais fonctionnement ou de panne, la liaison à la terre réduira le risque de choc électrique en offrant au courant électrique un acheminement d'évacuation de moindre résistance. Cette sècheuse est alimentée par un cordon électrique comportant un conducteur relié à la terre et une fiche de branchement munie d'une broche de liaison à la terre. La fiche doit être branchée sur une prise appropriée qui est bien installée et reliée à la terre conformément à tous les codes et règlements locaux.

- Pour une sècheuse raccordée en permanence : Cette sècheuse doit être raccordée à un système de câblage permanent en métal relié à la terre ou un conducteur relié à la terre doit être en fonction avec les conducteurs de circuit et raccordé à la borne de liaison à la terre ou la borne sur la sècheuse.

**AVERTISSEMENT :** Le raccordement incorrect de cet appareil au conducteur de liaison à la terre peut susciter un risque de choc électrique. En cas de doute quant à la qualité de liaison à la terre de la sècheuse, consulter un électricien ou un technicien ou un personnel qualifié. Ne pas modifier la fiche de branchement fournie avec la sècheuse; si la fiche ne correspond pas à la configuration de la prise de courant, demander à un électricien qualifié d'installer une prise de courant appropriée.

## CONSERVEZ CES INSTRUCTIONS

# Raccordement de la sècheuse électrique – Canada Uniquement

## Spécifications électriques

### ⚠️ AVERTISSEMENT



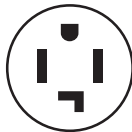
**Risque de choc électrique**

**Brancher sur une prise à 4 alvéoles reliée à la terre.**

**Le non-respect de cette instruction peut causer un décès ou un choc électrique.**

### C'est à l'utilisateur qu'incombe la responsabilité de :

- Contacter un électricien qualifié.
- S'assurer que le raccordement électrique est adéquat et conforme à la dernière édition du Canadian Electrical Code, C22.1, et à tous les codes et règlements locaux en vigueur. Pour obtenir un exemplaire des normes des codes ci-dessus, contacter : Canadian Standards Association, 178 Rexdale Blvd., Toronto, ON M9W 1R3 CANADA.
- L'appareil doit être alimenté uniquement par un circuit monophasé de 120/240 V, CA uniquement, 60 Hz à 4 fils, sur un circuit séparé de 30 ampères, protégé par fusible aux deux extrémités de la ligne. Il est recommandé d'utiliser un fusible ou un disjoncteur temporisé. On recommande également que cet appareil soit alimenté par un circuit indépendant.
- Cette sècheuse est équipée d'un cordon électrique homologué par la CSA International à introduire dans une prise murale standard 14-30R. Le cordon mesure 5 pi (1,4 m). Veiller à ce que la prise murale se trouve à proximité de l'emplacement définitif de la sècheuse.
- Ne pas utiliser de rallonge.



Prise murale à 4 fils (14-30R))

Si on utilise un cordon d'alimentation de rechange, il est recommandé d'utiliser le cordon d'alimentation de rechange numéro de pièce 8579325. Pour plus d'informations, consulter la section "Assistance ou service".

### INSTRUCTIONS DE LIAISON À LA TERRE

- Pour une sècheuse reliée à la terre et connectée par un cordon :

Cette sècheuse doit être reliée à la terre. En cas de mauvais fonctionnement ou de panne, la liaison à la terre réduira le risque de choc électrique en offrant au courant électrique un acheminement d'évacuation de moindre résistance. Cette sècheuse est alimentée par un cordon électrique comportant un conducteur relié à la terre et une fiche de branchement munie d'une broche de liaison à la terre. La fiche doit être branchée sur une prise appropriée qui est bien installée et reliée à la terre conformément à tous les codes et règlements locaux.

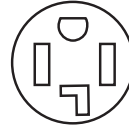
**AVERTISSEMENT :** Le raccordement incorrect de cet appareil au conducteur de liaison à la terre peut susciter un risque de choc électrique. En cas de doute quant à la qualité de liaison à la terre de la sècheuse, consulter un électricien ou un technicien ou un personnel qualifié. Ne pas modifier la fiche de branchement fournie avec la sècheuse; si la fiche ne correspond pas à la configuration de la prise de courant, demander à un électricien qualifié d'installer une prise de courant appropriée.

**CONSERVEZ CES INSTRUCTIONS**

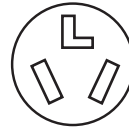
# Installation électrique – États-Unis seulement

Avant de commencer, débrancher l'alimentation.

## 1. Choisir le type de raccordement électrique



Prise murale 4 fils pour câble d'alimentation type NEMA 14-30R. Passer à "Raccordement du cordon d'alimentation".



Prise murale 3 fils pour câble d'alimentation type NEMA 10-30R. Passer à "Raccordement du cordon d'alimentation".



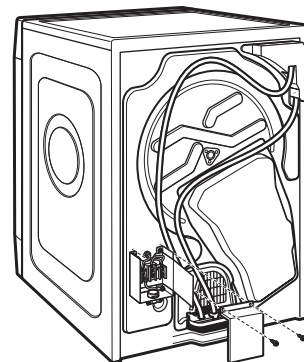
Raccordement direct à 4 fils : Passer à "Raccordement direct".



Raccordement direct à 3 fils : Passer à "Raccordement direct".

**REMARQUE :** Si les codes locaux n'autorisent pas le raccordement d'un conducteur de masse de la caisse au fil neutre, voir "Liaison à la terre externe pour un raccordement à 3 conducteurs Optional". Ce raccordement peut servir pour un câble d'alimentation ou une connexion directe des conducteurs.

## 2. Retirer le couvercle du bornier



Retirer les vis de retenue et le couvercle du bornier.

## Raccordement du câble d'alimentation

### ⚠ AVERTISSEMENT



#### Risque d'incendie

Utiliser un cordon d'alimentation électrique neuf homologué UL de 30 ampères.

Utiliser un réducteur de tension homologué UL.

Déconnecter la source de courant électrique avant de réaliser les connexions électriques.

Connecter le conducteur neutre (blanc ou conducteur central) à la borne centrale.

Le conducteur de liaison à la terre (vert ou nu) doit être relié au connecteur vert de liaison à la terre.

Connecter les 2 conducteurs d'alimentation restants aux 2 bornes restantes.

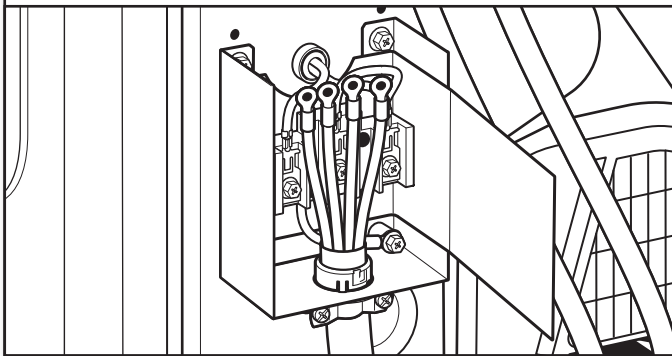
Bien serrer chaque organe de connexion du branchement électrique.

Le non-respect de cette instruction peut causer un décès, un incendie ou un choc électrique.

## Serre-câble du cordon d'alimentation à 4 conducteurs :

**IMPORTANT :** Utiliser le serre-câble fourni avec la sécheuse.

### Fixer le câble d'alimentation au serre-câble



Passer le câble d'alimentation à travers le serre-câble. Vérifier que la gaine d'isolement du câble d'alimentation rentre à l'intérieur du serre-câble. Ne pas visser davantage les vis du serre-câble à ce stade.

Si la prise murale ressemble à cela :



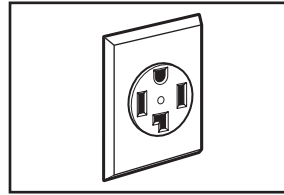
Prise murale 4 fils pour câble d'alimentation (NEMA Type 14-30R); Consulter la section "Raccordement du câble d'alimentation à 4 fils".



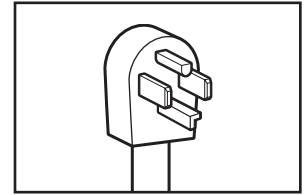
Prise murale 3 fils pour câble d'alimentation (NEMA Type 10-30R); Consulter la section "Raccordement du câble d'alimentation à 3 fils".

## Raccordement du câble d'alimentation à 4 fils

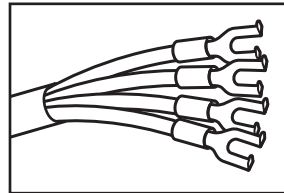
**IMPORTANT :** Un raccordement à 4 fils est obligatoire pour les maisons mobiles et lorsque les codes locaux n'autorisent pas l'utilisation de raccordements à 3 fils.



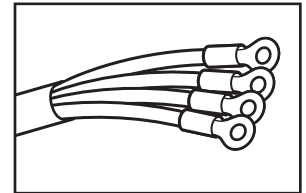
Prise murale à 4 fils (type NEMA 14-30R)



Prise à 4 broches

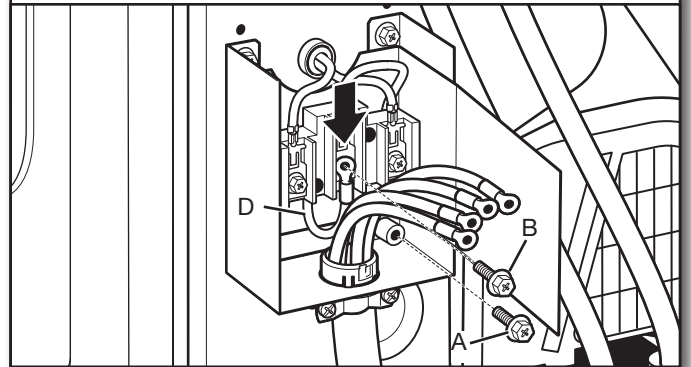


Cosses à fourche à pointes relevées



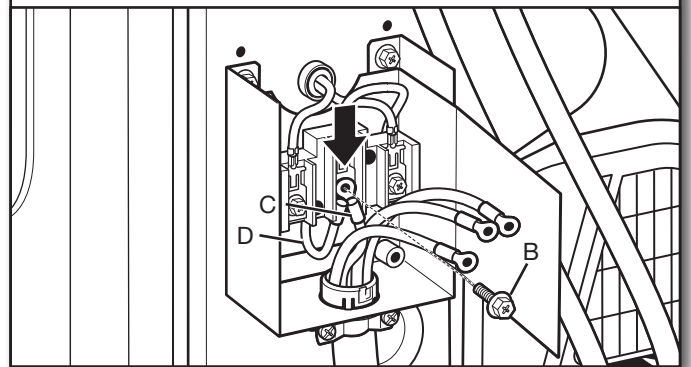
Cosses rondes

### 1. Préparation pour la connexion du conducteur neutre



Retirer la vis de la borne centrale (B) et la vis verte du conducteur de liaison à la terre externe (A). Trebuchonner le conducteur neutre de collage (blanc) (D) à la borne centrale.

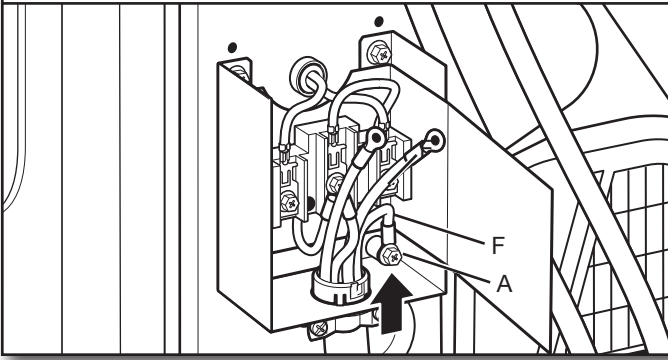
### 2. Connecter le conducteur neutre



Connecter le conducteur neutre (blanc ou central) (C) du câble d'alimentation sous la vis de la borne centrale (B). S'assurer que l'extrémité du conducteur neutre de collage (blanc) (D) trebuchonné dans l'étape 1 reste sous la vis de la borne centrale quand le conducteur neutre du câble d'alimentation est connecté. Serrer la vis.

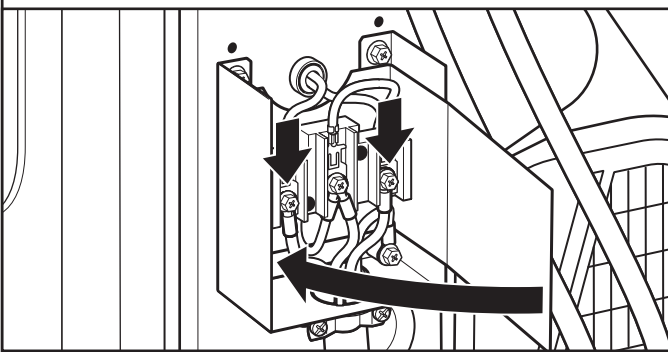


### 3. Connecter le conducteur de liaison à la terre



Connecter le conducteur (vert ou nu) de liaison à la terre (F) du câble d'alimentation sous la vis verte du conducteur de liaison à la terre externe (A). Serrer la vis.

### 4. Connecter les conducteurs restants

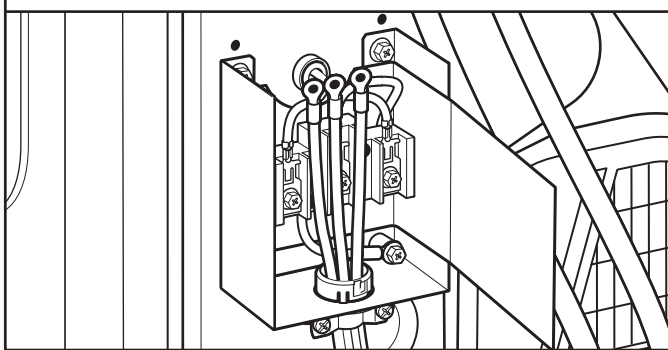


Connecter les conducteurs restants sous les vis les plus à l'extérieur du bornier. Serrer les vis, serrer les vis du serre-câble et replier l'isolant sur le bornier. Pour terminer, replacer la languette du couvercle du bornier dans la fente de la partie inférieure du logement du bornier. Fixer le couvercle avec les 2 vis de retenue. Ensuite, consulter "Réglage de l'aplomb de la sécheuse".

### Serre-câble du cordon d'alimentation à 3 conducteurs :

**IMPORTANT :** Utiliser le serre-câble fourni avec la sécheuse.

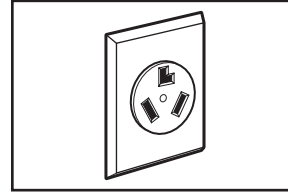
#### Fixer le câble d'alimentation au serre-câble



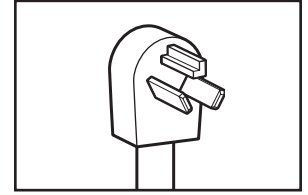
Passer le câble d'alimentation à travers le serre-câble. Vérifier que la gaine d'isolement du câble d'alimentation rentre à l'intérieur du serre-câble. Ne pas visser davantage les vis du serre-câble à ce stade.

### Raccordement du câble d'alimentation à 3 fils

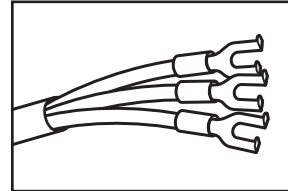
À utiliser lorsque les codes locaux autorisent la connexion du conducteur de masse de la caisse au conducteur neutre.



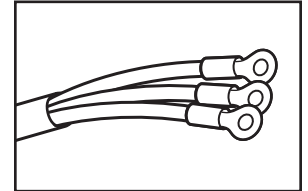
Prise murale à 3 fils de type NEMA 10-30R



Prise à 3 broches

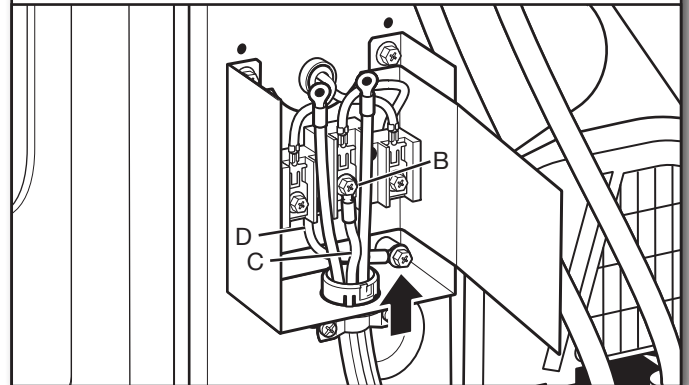


Cosses à fourche à pointes relevées



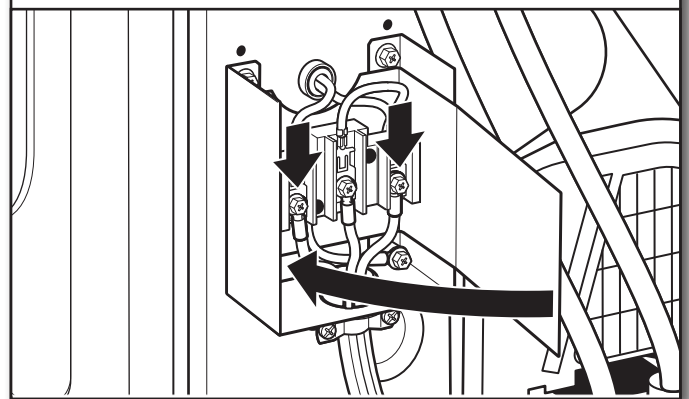
Cosses rondes

### 1. Connecter le conducteur neutre (central)



Connecter le conducteur neutre (central) (C) du câble d'alimentation sous la vis du bornier (B). Serrer la vis.

### 2. Connecter les conducteurs restants



Connecter les conducteurs restants sous les vis les plus à l'extérieur du bornier. Serrer les vis, serrer les vis du serre-câble et replier l'isolant sur le bornier. Pour terminer, replacer la languette du couvercle du bornier dans la fente de la partie inférieure du logement du bornier. Fixer le couvercle avec les 2 vis de retenue. Ensuite, consulter "Réglage de l'aplomb de la sécheuse".

## Raccordement direct

### **⚠ AVERTISSEMENT**



#### Risque d'incendie

Utiliser du fil en cuivre solide de calibre 10.

Utiliser un réducteur de tension homologué UL.

Déconnecter la source de courant électrique avant de réaliser les connexions électriques.

Connecter le conducteur neutre (blanc ou conducteur central) à la borne centrale.

Le conducteur de liaison à la terre (vert ou nu) doit être relié au connecteur vert de liaison à la terre.

Connecter les 2 conducteurs d'alimentation restants aux 2 bornes restantes.

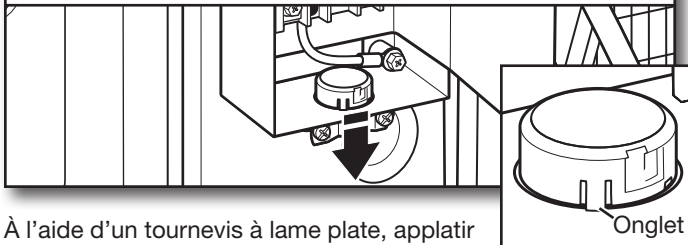
Bien serrer chaque organe de connexion du branchement électrique.

Le non-respect de cette instruction peut causer un décès, un incendie ou un choc électrique.

## Serre-câble pour câblage direct

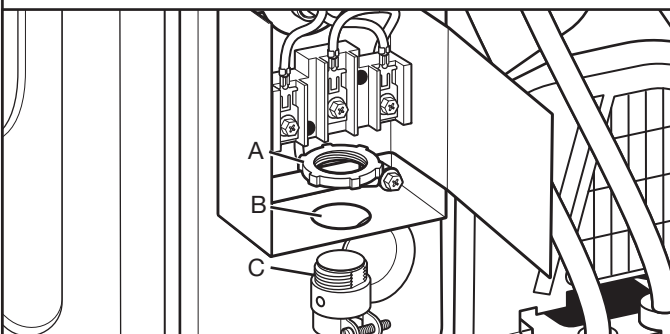
**IMPORTANT :** Utiliser un serre-câble du conduit (non fourni).

### 1. Retirer le serre-câble existant



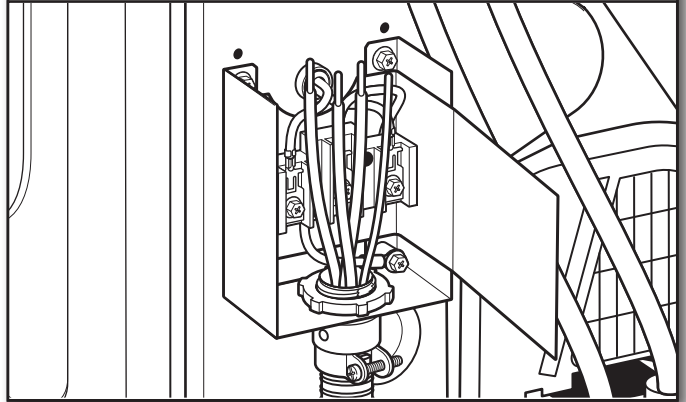
À l'aide d'un tournevis à lame plate, aplatis les trois onglets sur la bande dans la partie supérieure du serre-câble. Tirer le serre-câble.

### 2. Fixer le serre-câble pour raccordement direct



Dévisser le raccord de conduit amovible (A) et les vis d'un serre-câble homologué UL (inscription UL sur le serre-câble) de 3/4" (19 mm). Visser la partie filetée du serre-câble (C) dans le trou sous l'ouverture du bornier (B). Visser le connecteur de conduits amovible (A) sur le filetage du serre-câble en passant par l'ouverture du boîtier de connexion, puis serrer solidement.

### 3. Fixer le câble à raccordement direct au serre-câble



Passer le câble à raccordement direct à travers le serre-câble. Le serre-câble doit être bien relié à la caisse de la sècheuse et se trouver en position verticale. Serrer la vis du serre-câble autour du câble à raccordement direct.

Si le câblage ressemble à cela :



Raccordement direct à 4 fils :  
Consulter la section "Raccordement direct à 4 fils".

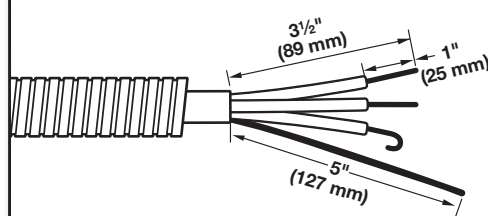


Raccordement direct à 3 fils :  
Consulter la section "Raccordement direct à 3 fils".

## Raccordement direct à 4 fils

**IMPORTANT :** Un raccordement à 4 fils est obligatoire pour les maisons mobiles et lorsque les codes locaux n'autorisent pas l'utilisation de raccordements à 3 fils.

### 1. Préparer le câble à 4 fils pour un raccordement direct

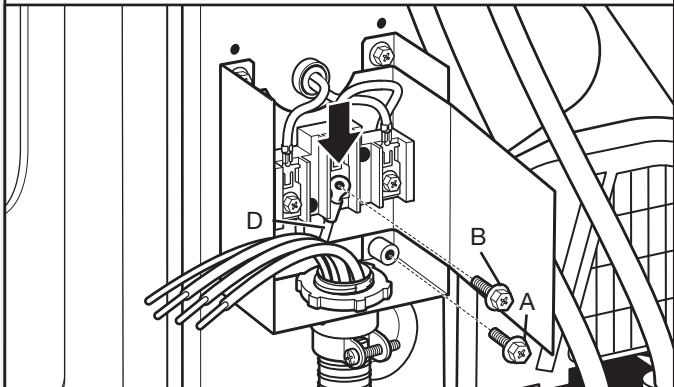


Le câble à raccordement direct doit avoir une longueur supplémentaire de 5 pi (1,52 m) pour pouvoir déplacer la sècheuse si nécessaire.

Dénuder une longueur de 5" (127 mm) de gaine extérieure à l'extrémité du câble, en laissant le conducteur de mise à la terre nu à la longueur de 5" (127 mm). Couper 1/2" (38 mm) des 3 conducteurs restants. Dénuder les conducteurs sur une longueur de 1" (25 mm). Former des crochets aux extrémités des conducteurs.

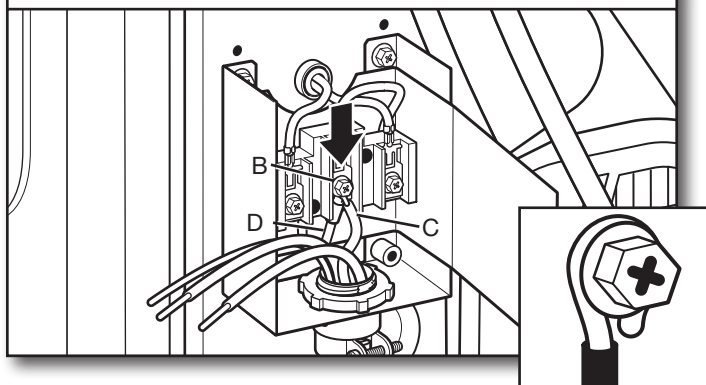


## 2. Préparer la connexion du conducteur neutre



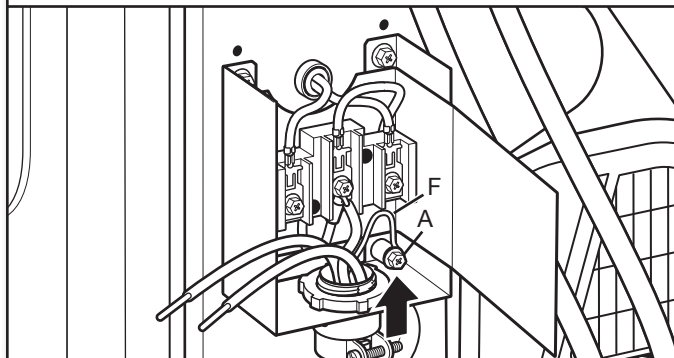
Retirer la vis de la borne centrale (B) et la vis verte du conducteur de liaison à la terre externe (A). Trebuchonner le conducteur neutre de collage (blanc) (D) à la borne centrale.

## 3. Connecter le conducteur neutre



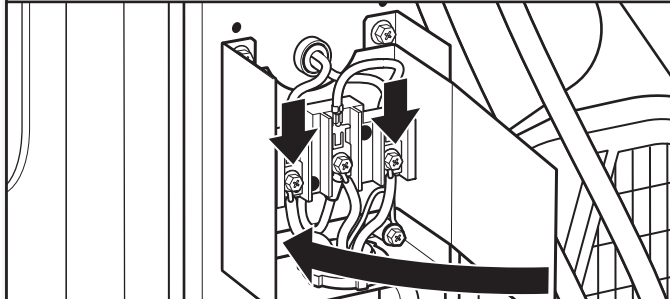
Placer l'extrémité en crochet (crochet vers la droite) du conducteur neutre (blanc ou central) (C) du câble pour raccordement direct sous la vis de la borne centrale (B). Rapprocher les extrémités du crochet. S'assurer que l'extrémité du conducteur neutre de collage (blanc) (D) trebuchonné dans l'étape 2 reste sous la vis de la borne centrale quand le conducteur neutre du câble pour raccordement direct est connecté. Serrer la vis.

## 4. Connecter le conducteur de liaison à la terre



Connecter le conducteur (vert ou nu) de liaison à la terre (F) du câble pour raccordement direct sous la vis vert du conducteur de liaison à la terre externe (A). Serrer la vis.

## 5. Connecter les conducteurs restants

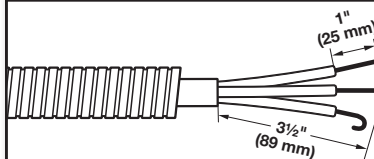


Placer les extrémités en crochet des conducteurs restants du câble pour raccordement direct sous les vis les plus à l'extérieur du bornier (crochets vers la droite). Rapprocher les extrémités du crochet, serrer les vis, serrer les vis du serre-câble et replier l'isolant sur le bornier. Pour terminer, replacer la languette du couvercle du bornier dans la fente de la partie inférieure du logement du bornier. Fixer le couvercle avec les 2 vis de retenue. Ensuite, consulter "Réglage de l'aplomb de la sècheuse".

### Raccordement direct à 3 fils

À utiliser lorsque les codes locaux autorisent la connexion du conducteur de masse de la caisse au conducteur neutre.

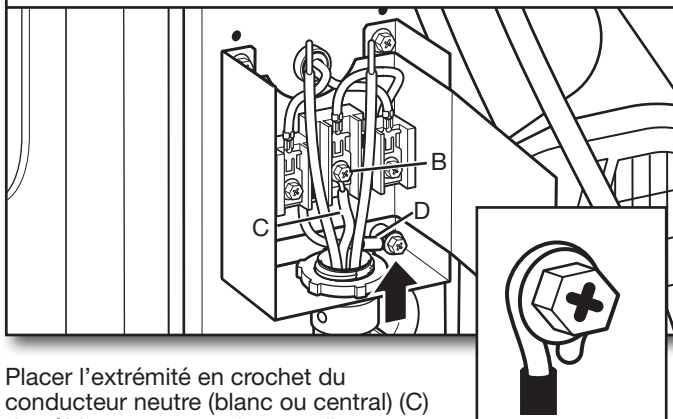
## 1. Préparer le câble à 3 fils pour un raccordement direct



Le câble à raccordement direct doit avoir une longueur supplémentaire de 5 pi (1,52 m) pour pouvoir déplacer la sècheuse si nécessaire.

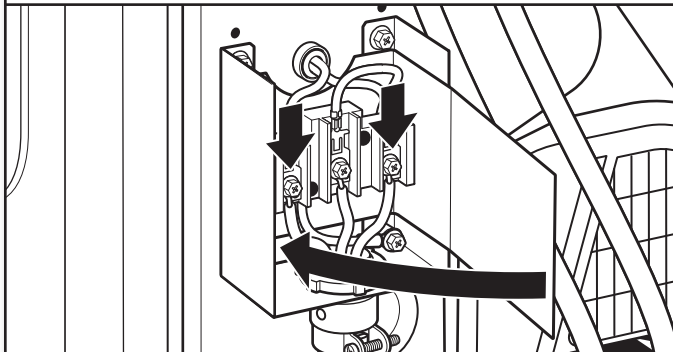
Dénuder une longueur de 3 1/2" (89 mm) de gaine extérieure à l'extrémité du câble. Dénuder les conducteurs sur une longueur de 1" (25 mm). En cas d'utilisation d'un câble à 3 fils avec conducteur de mise à la terre, couper le fil nu au même niveau que la gaine extérieure. Former des crochets au bout des conducteurs.

## 2. Connecter le conducteur neutre



Placer l'extrémité en crochet du conducteur neutre (blanc ou central) (C) du câble pour raccordement direct sous la vis de la borne centrale (B), crochet vers la droite. Rapprocher les extrémités du crochet. Serrer la vis.

### 3. Connecter les conducteurs restants

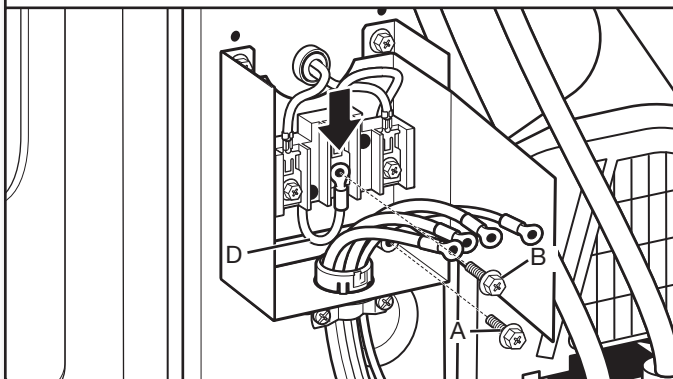


Placer les extrémités en crochet des conducteurs restants du câble pour raccordement direct sous les vis les plus à l'extérieur du bornier (crochets vers la droite). Rapprocher les extrémités du crochet, serrer les vis, serrer les vis du serre-câble et replier l'isolant sur le bornier. Pour terminer, replacer la languette du couvercle du bornier dans la fente de la partie inférieure du logement du bornier. Fixer le couvercle avec les 2 vis de retenue. Ensuite, consulter "Réglage de l'aplomb de la sècheuse".

### Liaison à la terre externe pour un raccordement à 3 conducteurs Optional Connexion (câble d'alimentation électrique illustré)

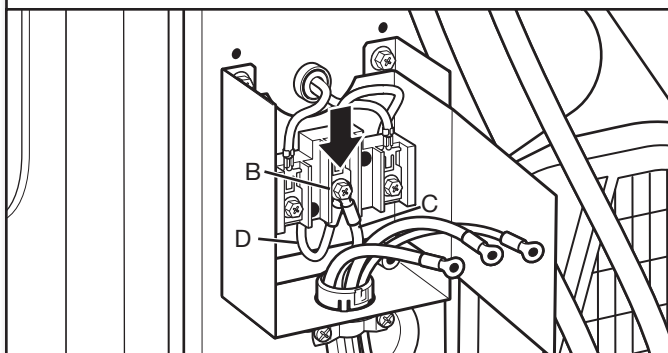
**IMPORTANT :** Il convient de vérifier auprès d'un électricien qualifié que cette méthode de mise à la terre est acceptable avant d'effectuer le raccordement.

### 1. Préparer la connexion du conducteur de terre neutre



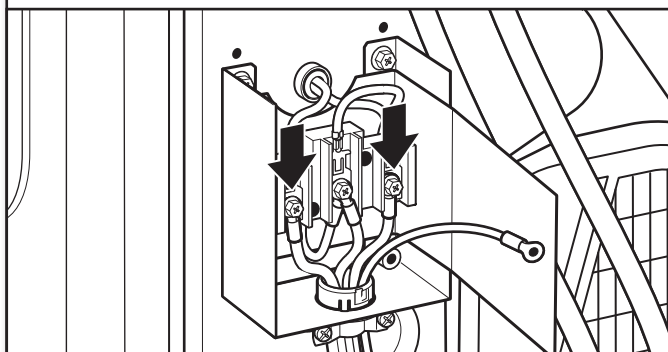
Retirer la vis de la borne centrale (B) et la vis verte du conducteur de liaison à la terre externe (A). Trebuchonner le conducteur neutre de collage (blanc) (D) à la borne centrale.

### 2. Connecter le conducteur neutre



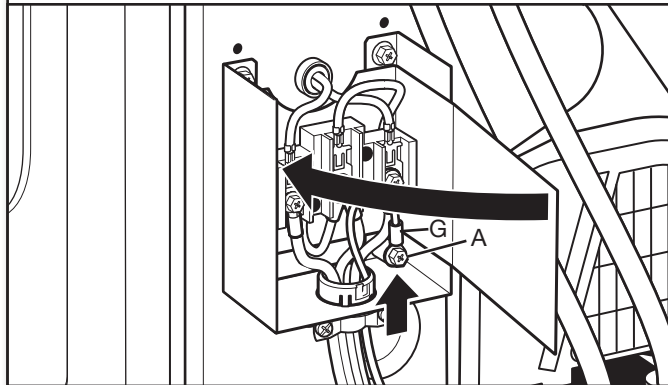
Connecter le conducteur neutre (blanc ou central) (C) du câble d'alimentation ou du câble sous la vis de la borne centrale (B). S'assurer que l'extrémité du conducteur neutre de collage (blanc) (D) trebuchonné dans l'étape 1 reste sous la vis de la borne centrale quand le conducteur neutre du câble d'alimentation est connecté. Serrer la vis.

### 3. Connecter les conducteurs restants



Placer les extrémités des conducteurs restants sous les vis les plus à l'extérieur du bornier. Serrer les vis et serrer le serre-câble.

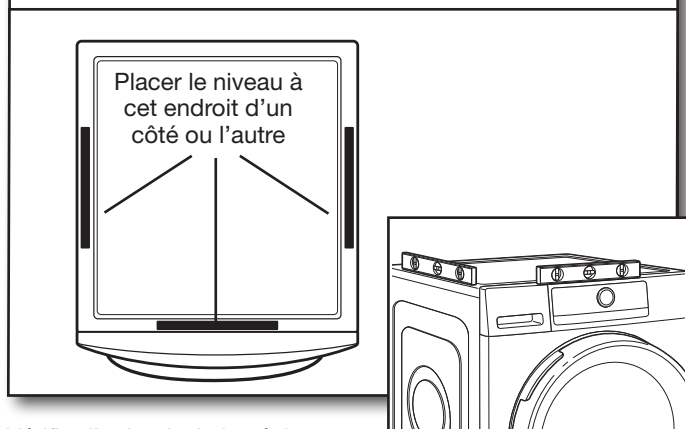
### 4. Connecter le conducteur de liaison à la terre externe



Raccorder un autre conducteur de terre en cuivre (G) depuis la vis verte du conducteur de terre externe (A) jusqu'à une terre adéquate. Replier l'isolant sur le bornier. Pour terminer, replacer la languette du couvercle du bornier dans la fente de la partie inférieure du logement du bornier. Fixer le couvercle avec les 2 vis de retenue. Ensuite, consulter "Réglage de l'aplomb de la sècheuse".

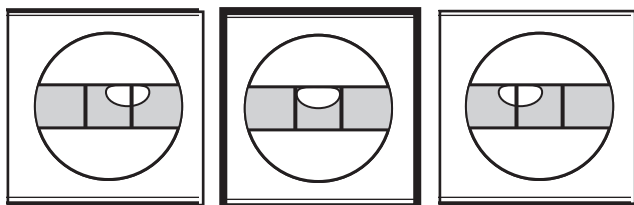
# Réglage de l'aplomb de la sécheuse

## 1. Réglage de l'aplomb de la sécheuse



Vérifier l'aplomb de la sécheuse dans le sens transversal. Répéter l'opération dans le sens avant-arrière.

**REMARQUE :** La sécheuse doit être d'aplomb pour que le système de détection d'humidité fonctionne correctement. Si l'inclinaison vers l'avant de la sécheuse est supérieure à 1" (25 mm), il est possible que de l'eau s'en écoule de l'avant du filtre.

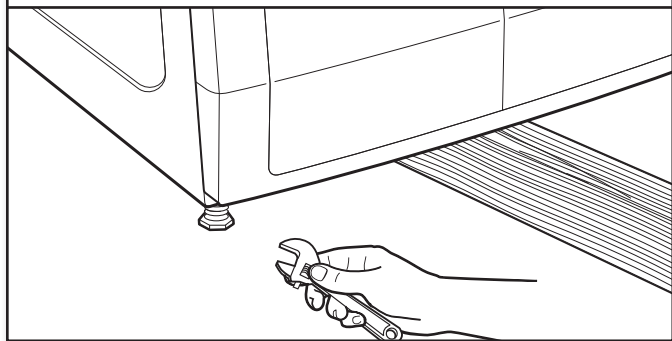


N'est pas d'aplomb

**D'APLOMB**

N'est pas d'aplomb

## 2. Réglage des pieds de nivellement



Si la sécheuse n'est pas d'aplomb, la soulever à l'aide d'une cale en bois à l'aide d'une clé pour ajuster les pieds vers le haut ou vers le bas et contrôler de nouveau l'aplomb. Une fois la sécheuse d'aplomb, s'assurer que les quatre pieds sont en contact ferme avec le plancher et que la sécheuse ne tange pas.

## **⚠ AVERTISSEMENT**



### Risque de choc électrique

**Brancher sur une prise à 3 alvéoles reliée à la terre.**

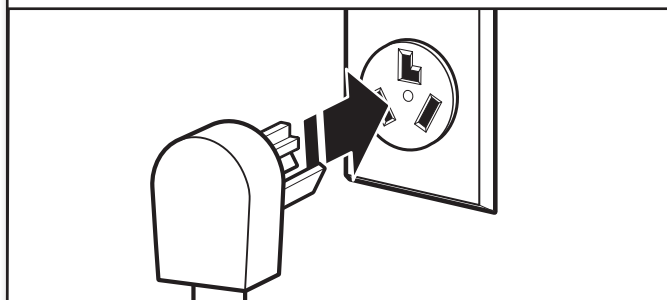
**Ne pas enlever la broche de liaison à la terre.**

**Ne pas utiliser un adaptateur.**

**Ne pas utiliser un câble de rallonge.**

**Le non-respect de ces instructions peut causer un décès, un incendie ou un choc électrique.**

## 3. Brancher sur une prise de courant à 3 alvéoles, reliée à la terre



## Liste de vérification pour installation terminée

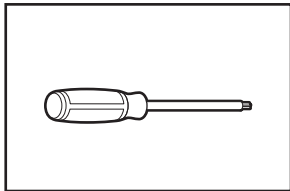
- Vérifier que toutes les pièces sont maintenant installées. S'il reste une pièce, passer en revue les différentes étapes pour découvrir laquelle aurait été oubliée.
  - Vérifier que la sécheuse est de niveau (voir "Mise à niveau de la sécheuse.")
  - Vérifier la présence de tous les outils.
  - Éliminer/recycler tous les matériaux d'emballage.
  - Vérifier l'emplacement définitif de la sécheuse.
  - Ôter tout film protecteur ou ruban adhésif restant sur la sécheuse.
  - Essuyer soigneusement l'intérieur du tambour de la sécheuse avec un chiffon humide pour éliminer toute trace de poussière.
  - Consulter "Utilisation de la sécheuse" dans la section "Instructions d'utilisation".
  - Pour une installation avec cordon d'alimentation électrique, brancher dans une prise reliée à la terre. Pour une installation à raccordement direct, mettre l'appareil sous tension.
  - Sélectionner un programme de séchage minuté avec chaleur et mettre la sécheuse en marche.
- Si la sécheuse ne démarre pas, vérifier ce qui suit :
- Les commandes sont réglées à la position de marche ou sur ON (marche).
  - Le bouton de mise en marche/pause a été enfoncé fermement sans relâcher pendant 3 secondes.
  - La sécheuse est branchée dans une prise reliée à la terre et/ou l'alimentation électrique.
  - Les fusibles du domicile sont intacts et serrés; le disjoncteur n'est pas déclenché.
  - La porte de la sécheuse est fermée.

Cette sécheuse démarre automatiquement une procédure de diagnostic au début du premier programme.

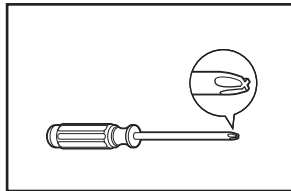
**REMARQUE :** Il est possible que la sécheuse dégage une certaine odeur lorsqu'elle chauffe pour la première fois. L'odeur disparaîtra.

# Inversion de la porte (facultatif)

Outillage nécessaire :

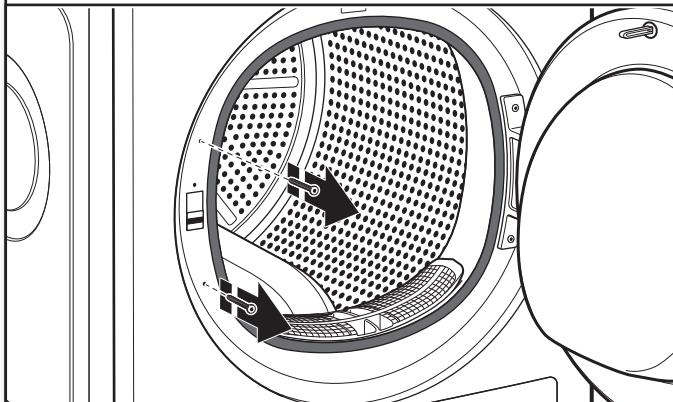


Tournevis TORX® T20®  
au moins 8" de long



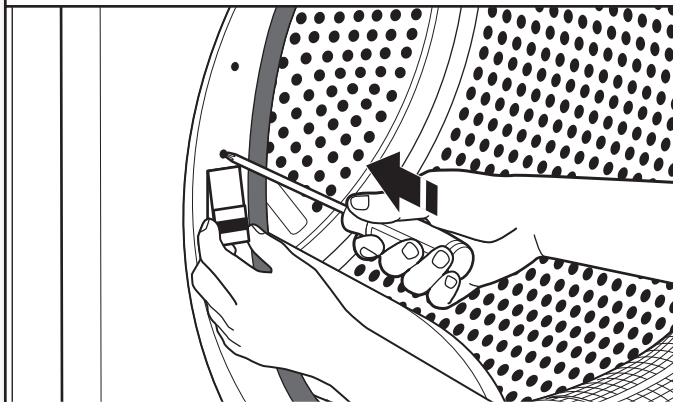
Tournevis Phillips n° 2

## 1. Retirer les vis de verrouillage de porte



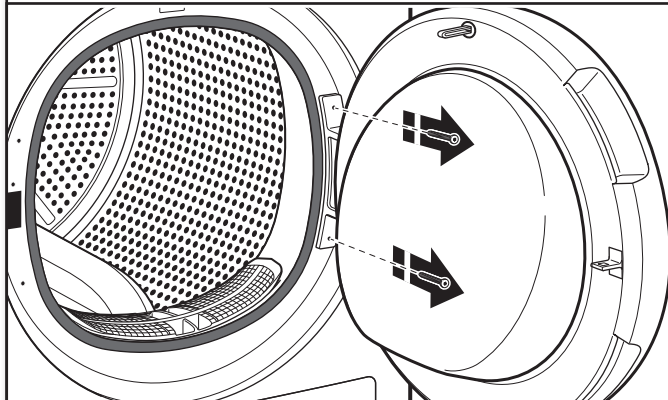
Retirer les deux vis de la garniture située au-dessus et au-dessous du verrouillage de la porte, à la gauche de l'ouverture de la porte.

## 2. Retirer le verrouillage de la porte

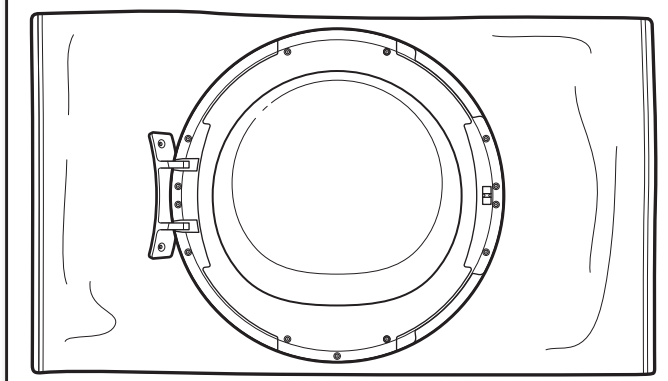
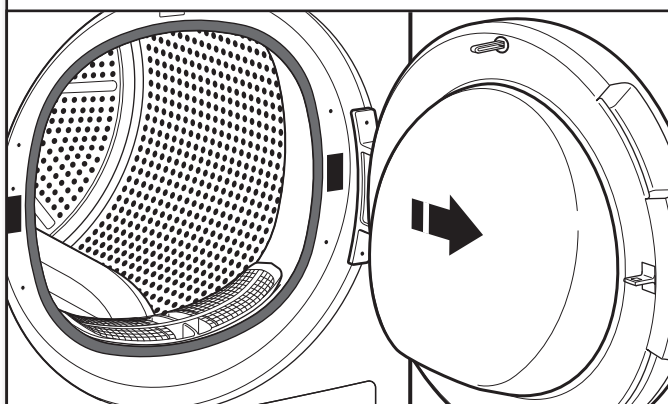


Appuyer sur le petit bouton situé au-dessus du verrou de la porte à l'aide d'un tournevis. En même temps, pousser le verrou de porte vers le haut et le tirer vers vous.

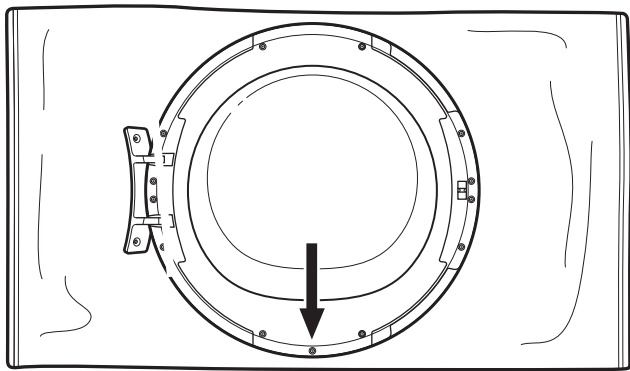
## 3. Retirer les deux vis sur la charnière de porte



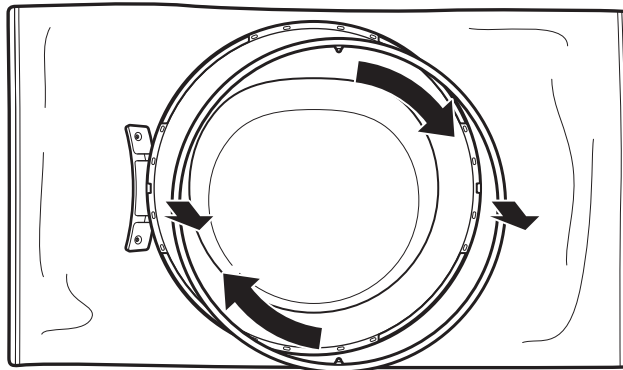
## 4. Retirer la porte et la déposer doucement face contre terre sur une surface douce



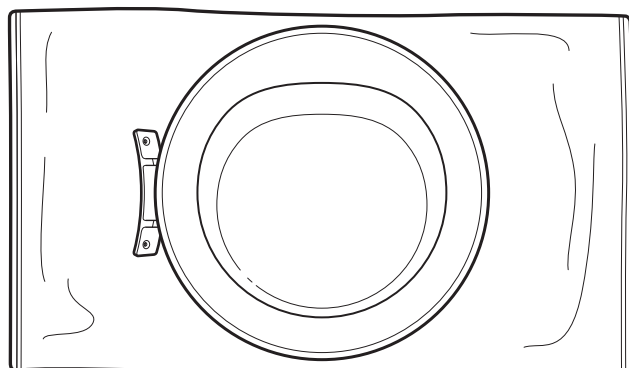
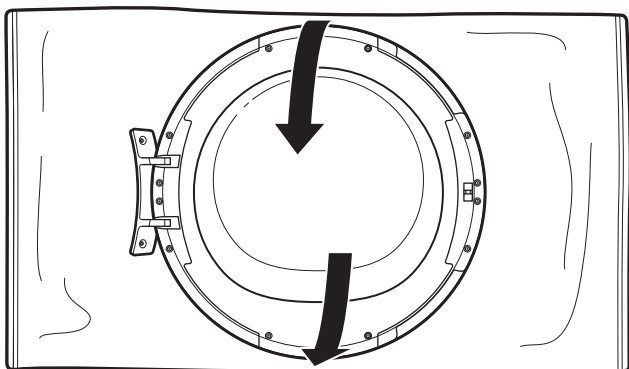
**5. Dévisser la vis du bas pour dégager l'anneau de garniture en chrome**



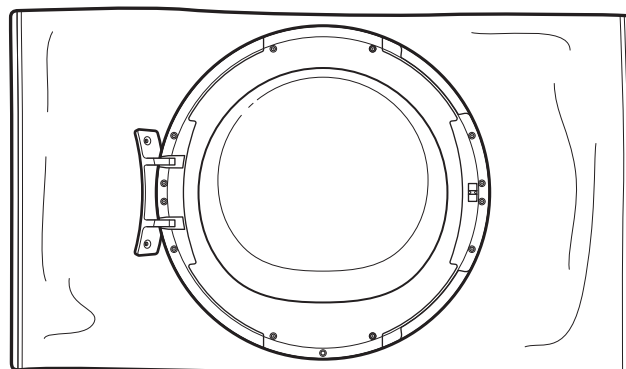
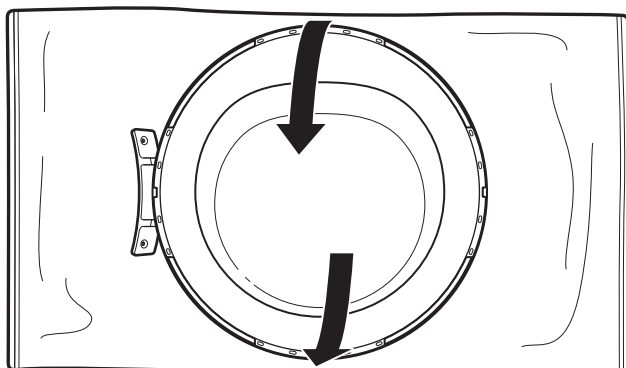
**7. Tout en tenant la porte, faire doucement tourner l'anneau de garniture en chrome dans le sens horaire pour l'enlever**



**6. Tourner la porte pour que le verre soit vers le bas**

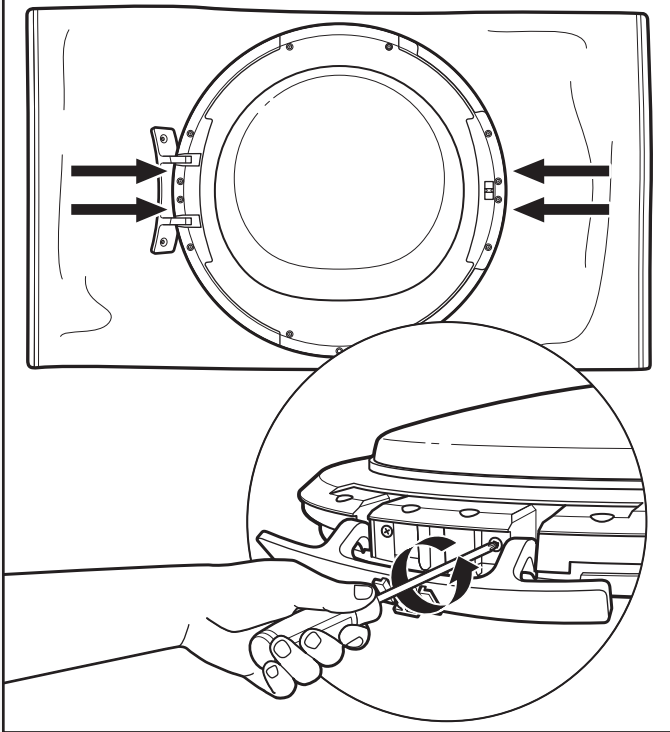


**8. Tourner la porte pour que le verre soit de nouveau vers le haut**

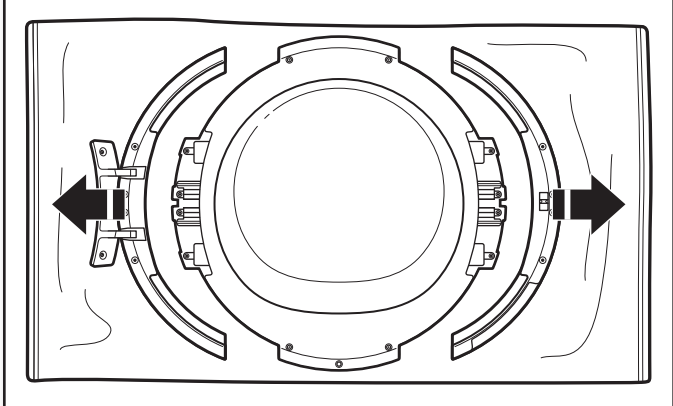




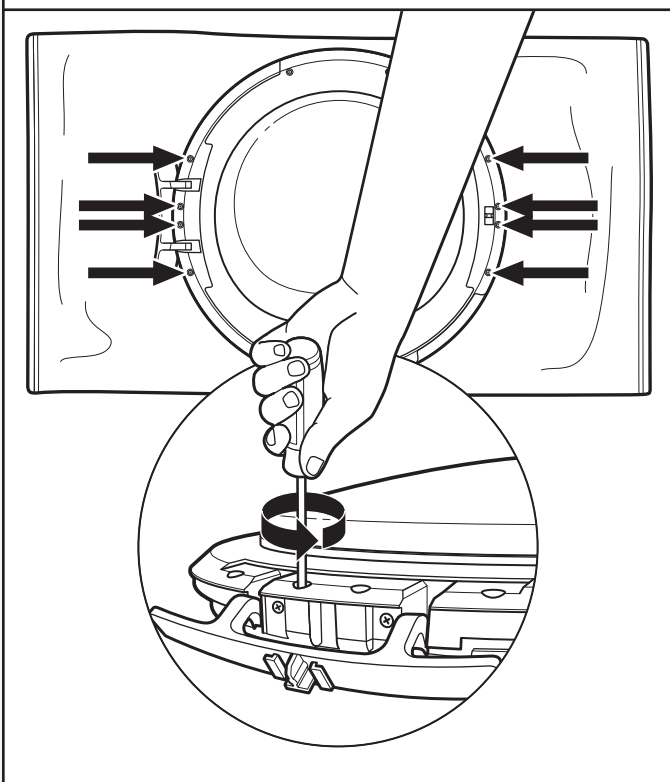
**9. Ôter les 2 vis de chaque côté de la porte**



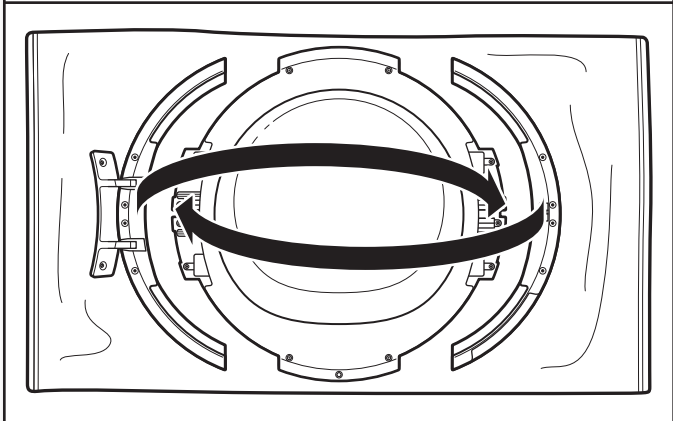
**11. Enlever les pièces de chaque côté de la porte**



**10. Ôter les 4 vis intérieures de chaque côté de la porte**

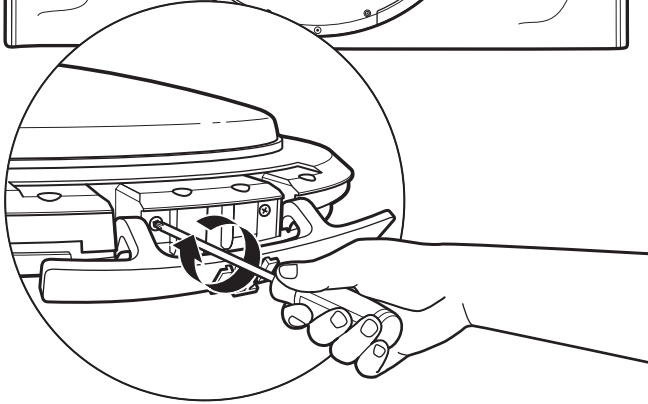
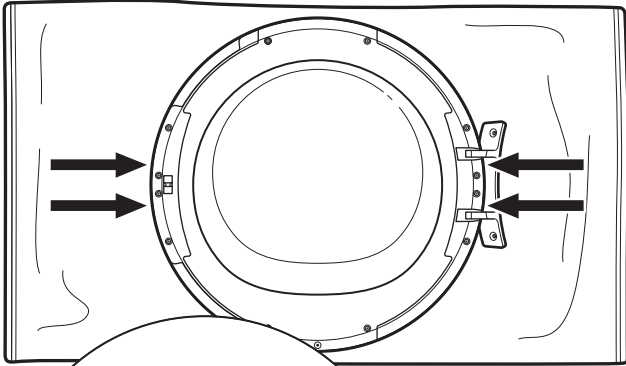


**12. Inverser les pièces des côtés et les remettre en place**

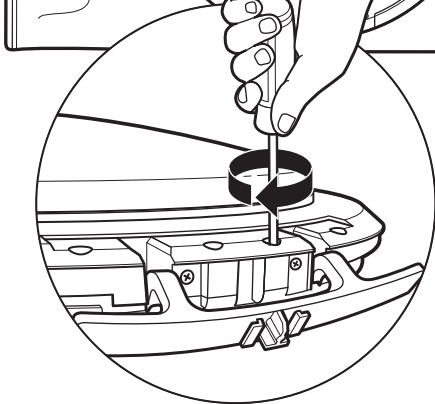
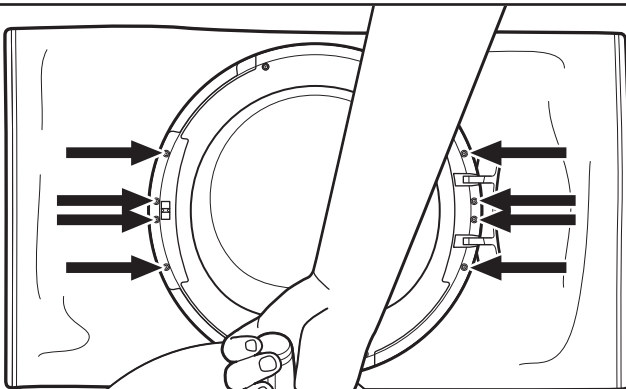




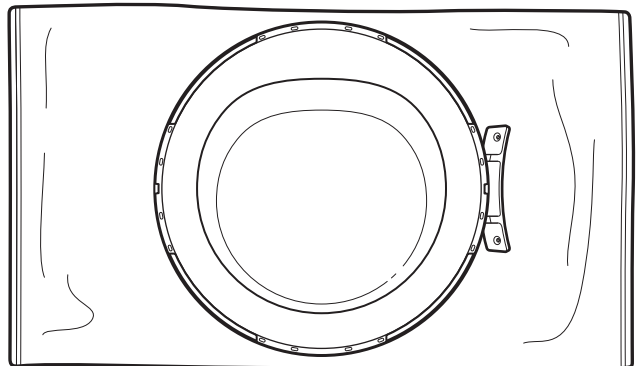
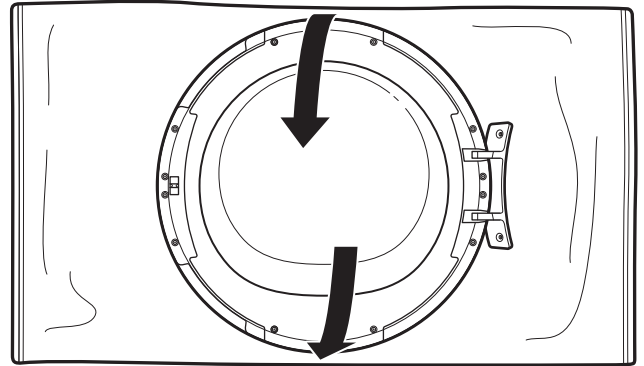
**13. Resserrer les 2 vis de chaque côté de la porte**



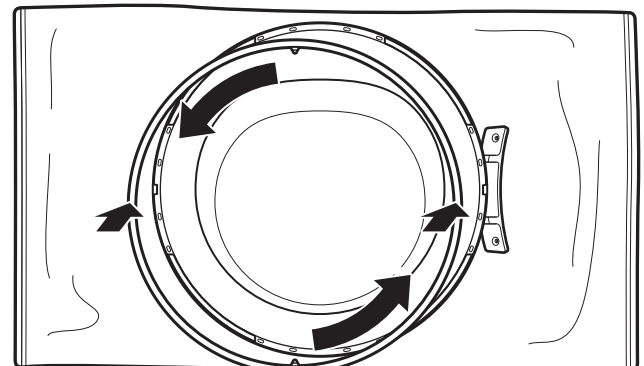
**14. Resserrer les 4 vis intérieures de chaque côté de la porte**



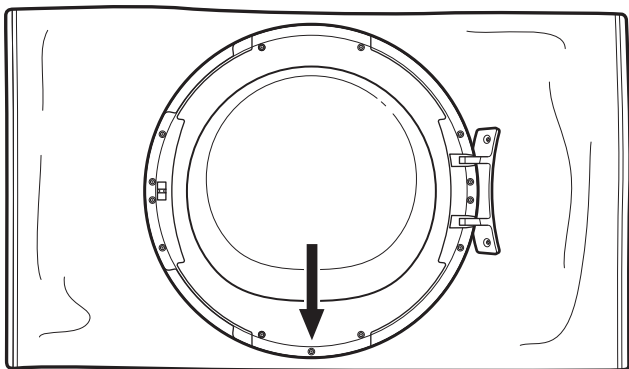
**15. Tourner la porte pour que le verre soit vers le bas**



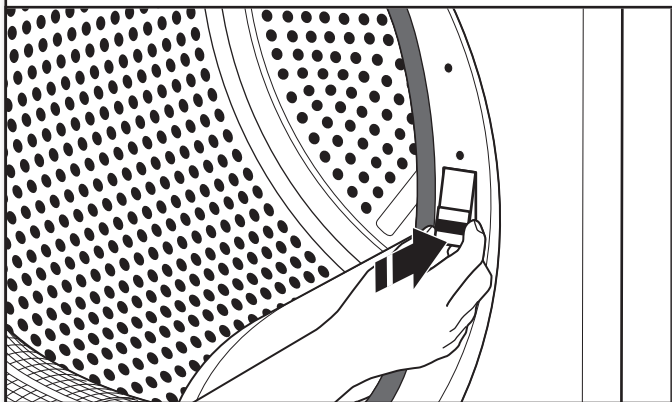
**16. Réinstaller l'anneau de garniture en chrome**



**17. Tourner la porte pour que le verre soit de nouveau vers le haut**

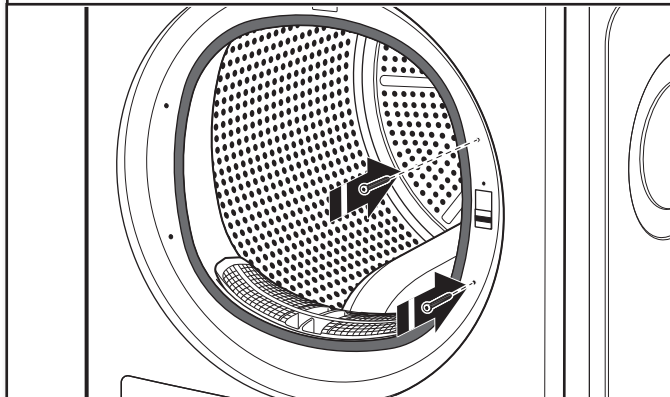


**18. Installer le verrou de porte sur le côté droit de l'ouverture de la porte**



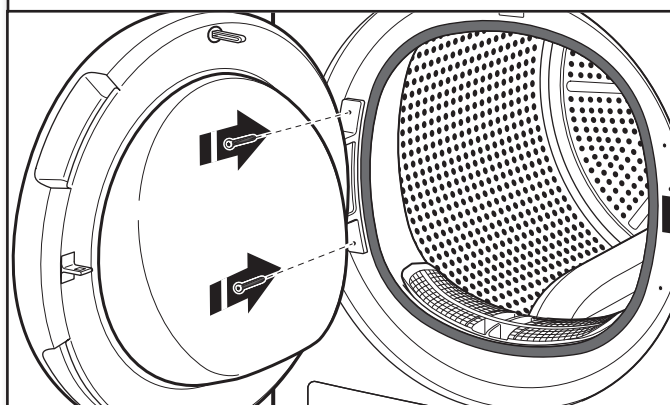
Enfoncer le verrou de porte entièrement dans le trou et le pousser légèrement vers le bas jusqu'à ce que le petit bouton du verrou de la porte s'enclenche.

**19. Fixer les vis du verrouillage de la porte**



Serrer les deux vis de garniture situées au-dessus et au-dessous du verrou de la porte, à la droite de l'ouverture de la porte.

**20. Fixer la porte sur le côté gauche de l'ouverture de la porte**



Serrer les deux vis à la charnière de la porte.

# DÉPANNAGE

Essayer d'abord les solutions suggérées ici ou consulter le site Web [www.whirlpool.com/product\\_help](http://www.whirlpool.com/product_help) –  
Au Canada [www.whirlpool.ca](http://www.whirlpool.ca) pour obtenir de l'aide et pour éviter une intervention de réparation.

Si les phénomènes suivants se produisent	Causes possibles	Solution
<b>Fonctionnement de la sècheuse</b>		
La sècheuse ne fonctionne pas	La porte n'est pas bien fermée.	S'assurer que la porte de la sècheuse est complètement fermée.
	L'utilisateur n'a pas appuyé fermement sur le bouton de mise en marche/pause.	Appuyer fermement sur le bouton de mise en marche/pause.
	Le filtre du bas n'est pas en place.	Remettre le filtre en place dans la sècheuse et s'assurer que la poignée est correctement installée. Le témoin du filtre du bas s'allume si le filtre n'est pas bien mis en place.
	Un fusible du domicile est grillé ou le disjoncteur est ouvert.	Il peut y avoir 2 fusibles ou disjoncteurs pour la sècheuse. Vérifier que les deux fusibles sont intacts et bien en place ou que les deux disjoncteurs ne se sont pas déclenchés. Remplacer les fusibles ou réarmer le disjoncteur. Si le problème persiste, appeler un électricien.
	Alimentation électrique incorrecte.	Les sècheuses électriques nécessitent une alimentation électrique de 240 V. Vérifier avec un électricien qualifié.
	Type de fusible incorrect.	Utiliser un fusible temporisé.
<b>Sons inhabituels</b>		
Bruit saccadé	La sècheuse n'a pas été utilisée pendant un moment.	Ceci est dû aux rouleaux du tambour qui ont été temporairement aplatis par endroits. Le bruit saccadé s'atténue après quelques minutes d'utilisation.
Bruit de grattement ou de vibration	Un petit objet est coincé dans le bord du tambour de la sècheuse.	Vérifier les bords avant et arrière du tambour pour voir si de petits objets y sont coincés. Vider les poches avant le lavage.
	L'aplomb de la sècheuse n'a pas été correctement établi.	La sècheuse peut vibrer si elle n'est pas correctement installée. Voir les "Instructions d'installation". Les quatre pieds de nivellement de la sècheuse doivent être bien en contact avec le plancher.
	Les vêtements sont en boule dans la sècheuse.	Une charge en boule rebondit, ce qui fait vibrer la sècheuse. Séparer les articles de la charge et remettre la sècheuse en marche.
Ronflement bruyant ou bruit de plus en plus fort durant le programme	La charge est trop tassée.	Réduire la taille de la charge conformément aux recommandations du "Guide de programmes". Faire fonctionner la sècheuse pendant 5 à 10 minutes.
<b>Résultats de la sècheuse</b>		
Les vêtements ne séchent pas de manière satisfaisante ou le temps de séchage est trop long	Le filtre à charpie est obstrué par de la charpie.	Nettoyer le filtre à charpie avant chaque charge.
	Le filtre inférieure et son tamis sont obstrués par de la charpie.	Nettoyer le filtre inférieure toutes les 5 charges.
	La sècheuse n'est pas d'aplomb.	Les vêtements ne sont pas en contact avec les détecteurs d'humidité lors du fonctionnement des programmes automatiques. Voir "Réglage de l'aplomb de la sècheuse" dans les "Instructions d'installation".
	La charge est trop grosse et trop lourde pour sécher rapidement.	Séparer la charge pour qu'elle culbute librement.
	Des feuilles d'assouplissant pour tissu obstruent la grille.	La grille de sortie de l'air se trouve à l'intérieur de la porte. Vérifier qu'elle n'est pas obstruée par une feuille d'assouplissant pour tissu. Utiliser seulement une feuille d'assouplissant par charge et l'utiliser une seule fois.
	La sècheuse se trouve dans une pièce où la température ambiante est inférieure à 45°F (7°C).	Le bon fonctionnement des programmes de la sècheuse nécessite une température ambiante supérieure à 45 °F (7 °C).
	La sècheuse est placée dans un placard.	Les portes du placard doivent comporter des ouvertures d'aération au sommet et en bas de la porte. Un espace minimum de 1" (25 mm) est nécessaire à l'avant de la sècheuse et, pour la plupart des installations, un espace de 5" (127 mm) est nécessaire à l'arrière de la sècheuse. Voir les "Instructions d'installation".


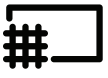

# DÉPANNAGE

Essayer d'abord les solutions suggérées ici ou consulter le site Web [www.whirlpool.com/product\\_help](http://www.whirlpool.com/product_help) –  
Au Canada [www.whirlpool.ca](http://www.whirlpool.ca) pour obtenir de l'aide et pour éviter une intervention de réparation.

Si les phénomènes suivants se produisent	Causes possibles	Solution
<b>Résultats de la sécheuse (suite)</b>		
Il peut y avoir un peu d'eau dans le filtre du bas ou sur le sol	La sécheuse n'est pas d'aplomb.	L'inclinaison de la sécheuse doit être de moins de 1" (25 mm). Voir "Réglage de l'aplomb de la sécheuse" dans les "Instructions d'installation".
	Le filtre du bas n'est pas correctement installé.	Vérifier que le filtre est correctement placé dans son logement. Voir la section "Nettoyer le filtre du bas".
	Le tuyau de vidange est plus long que ce qui a été fourni. Vérifier le contenant d'eau et les connexions du tuyau.	Le tuyau de vidange ne doit pas être installé à une hauteur de plus de 36" (91 cm) du bas de la sécheuse. Voir "Système de vidange" dans les "Instructions d'installation".
La durée du programme est trop courte	La charge n'est peut-être pas en contact avec les bandes de détection (pour les programmes automatiques).	Régler l'aplomb de la sécheuse. Voir les "Instructions d'installation". Les quatre pieds de nivellement de la sécheuse doivent être bien en contact avec le plancher.
	Le programme automatique se termine prématurément.	Modifier le réglage de degré de séchage pour les programmes automatiques. L'augmentation ou la diminution du degré de séchage modifiera la durée de séchage d'un programme. Si le séchage des charges se termine systématiquement trop tôt, voir aussi "Régler la sécheuse à la conductivité de l'eau".
Charpie sur la charge	Le filtre à charpie est obstrué par de la charpie.	Nettoyer le filtre à charpie avant chaque charge.
Présence de taches sur le linge	Utilisation incorrecte de l'assouplissant pour tissu.	Ajouter les feuilles d'assouplissant de tissu au début du programme. Les feuilles d'assouplissant de tissu ajoutées à une charge partiellement sèche peuvent tacher les vêtements. Ne pas utiliser de feuilles d'assouplissant pour tissu pour les programmes avec vapeur.
Présence de taches sur le tambour	Teintures instables sur les vêtements.	Les taches sur le tambour sont dues aux teintures contenues dans les vêtements (les jeans en général). Elles ne se transmettront pas aux autres vêtements.
Charges froissées	La charge n'a pas été retirée de la sécheuse à la fin du programme.	Se reporter aux instructions figurant sur l'étiquette de soin des vêtements. Les articles lavables uniquement au nettoyage à sec sont déconseillés.
	Les vêtements sont tassés dans la sécheuse.	Faire sécher de plus petites charges qui peuvent culbuter librement. Les résultats peuvent varier selon le type de tissu.
Odeurs	Vous avez récemment employé de la peinture, de la teinture ou du vernis dans la pièce où votre sécheuse est installée.	Aérer la pièce. Une fois les odeurs ou émanations disparues, laver et sécher à nouveau les vêtements.
	Des odeurs persistent dans des vêtements déjà portés.	Laver et sécher de nouveau les vêtements.
Charge trop chaude	La charge a été retirée avant que la portion de refroidissement du programme ne soit terminée.	Laisser la sécheuse terminer la portion de refroidissement du programme avant d'enlever la charge.
Taches ou accumulation de charpie sur le mur derrière la sécheuse	Sécheuse trop proche du mur.	Dégager la sécheuse du mur et s'assurer que la ventilation est correcte.

# DÉPANNAGE

Essayer d'abord les solutions suggérées ici ou consulter le site Web [www.whirlpool.com/product\\_help](http://www.whirlpool.com/product_help) –  
Au Canada [www.whirlpool.ca](http://www.whirlpool.ca) pour obtenir de l'aide et pour éviter une intervention de réparation.

Si les phénomènes suivants se produisent	Causes possibles	Solution
<b>Code affiché ou symbol DEL allumé</b>		
	Réservoir d'eau plein.	Vider le réservoir d'eau, s'assurer de bien le remettre en place.
	Réservoir d'eau mal positionné.	Appuyer sur le réservoir d'eau pour s'assurer qu'il est bien inséré dans son compartiment.
	Le filtre du bas est bloqué par de la charpie.	Nettoyer le filtre du bas, s'assurer de bien le remettre en place.
	Filtre du bas mal positionné.	Appuyer sur le filtre du bas et placer les leviers de dégagement en position verticale pour s'assurer que le filtre est correctement inséré dans son compartiment. Fermer le rabat.
	Le filtre de la porte est bloqué par de la charpie.	Enlever et nettoyer le filtre de la porte, puis s'assurer de bien le replacer dans son compartiment.
	Filtre de la porte mal positionné.	Vérifier la position du filtre de la porte, s'assurer qu'il est bien positionné dans son compartiment.
F01 à F04	Mauvais fonctionnement d'une composante.	Maintenir enfoncé le bouton d'alimentation pendant au moins 3 secondes pendant que la sècheuse fonctionne.
F05 à F09	Mauvais fonctionnement d'une composante.	Arrêter et débrancher la sècheuse. Ouvrir immédiatement la porte et sortir la charge pour que la chaleur puisse se dissiper. S'assurer que la température ambiante est située entre 41°F (5°C) et 95°F (35°C). Après environ 1 heure, brancher la sècheuse, ajouter la charge et démarrer de nouveau le programme. Si le problème se produit de nouveau, faire un appel de service.
F10 à F24	Mauvais fonctionnement d'une composante.	Arrêter et débrancher la sècheuse. Après environ 30 minutes, brancher la sècheuse et démarrer de nouveau le programme. Si le problème se produit de nouveau, faire un appel de service.

# GARANTIE DES APPAREILS DE BUANDERIE WHIRLPOOL®

ATTACHEZ ICI VOTRE REÇU DE VENTE. UNE PREUVE D'ACHAT EST OBLIGATOIRE POUR OBTENIR L'APPLICATION DE LA GARANTIE.

Lorsque vous appelez le centre d'eXpérience de la clientèle, veuillez garder à disposition les renseignements suivants :

- Nom, adresse et numéro de téléphone
- Numéros de modèle et de série
- Une description claire et détaillée du problème rencontré
- Une preuve d'achat incluant le nom et l'adresse du marchand ou du détaillant

## SI VOUS AVEZ BESOIN DE SERVICE :

1. Avant de nous contacter pour obtenir un dépannage, veuillez déterminer si des réparations sont nécessaires pour votre produit. Certains problèmes peuvent être résolus sans intervention de dépannage. Prenez quelques minutes pour parcourir la section Dépannage ou Résolution des problèmes du guide d'utilisation et d'entretien, scannez le code QR ci-contre pour accéder à des ressources supplémentaires, ou rendez-vous sur le site [https://www.whirlpool.ca/product\\_help](https://www.whirlpool.ca/product_help).
2. Tout service sous garantie doit être effectué exclusivement par nos fournisseurs de dépannage autorisés Whirlpool. Aux É.-U. et au Canada, dirigez toutes vos demandes de service sous garantie au :



[https://www.whirlpool.ca/product\\_help](https://www.whirlpool.ca/product_help)

### Centre d'eXpérience de la clientèle Whirlpool

**Aux É.-U., composer le 1-800-253-1301. Au Canada, composer le 1-800-807-6777.**

Si vous résidez à l'extérieur du Canada et des 50 États des États-Unis, contactez votre marchand Whirlpool autorisé pour déterminer si une autre garantie s'applique.

## GARANTIE LIMITÉE D'UN AN

### CE QUI EST COUVERT

### CE QUI N'EST PAS COUVERT

Pendant un an à compter de la date d'achat, lorsque ce gros appareil ménager est installé, utilisé et entretenu conformément aux instructions jointes à ou fournies avec le produit, Whirlpool Corporation ou Whirlpool Canada LP (ci-après désignées "Whirlpool") décidera à sa seule discrétion de remplacer le produit ou de couvrir le coût des pièces de remplacement spécifiées par l'usine et de la main-d'œuvre nécessaires pour corriger les vices de matériaux ou de fabrication qui existaient déjà lorsque ce gros appareil ménager a été acheté. S'il est remplacé, votre appareil restera sous garantie pour la durée restant à courir de la période de garantie sur le produit d'origine.

LE SEUL ET EXCLUSIF RECOURS DU CLIENT DANS LE CADRE DE LA PRÉSENTE GARANTIE LIMITÉE CONSISTE EN LA RÉPARATION PRÉVUE CI-DESSUS. Le service doit être fourni par une compagnie de service désignée par Whirlpool. Cette garantie limitée est valide uniquement aux États-Unis ou au Canada et s'applique exclusivement lorsque le gros appareil ménager est utilisé dans le pays où il a été acheté. La présente garantie limitée entre en vigueur à compter de la date d'achat initial par le consommateur. Une preuve de la date d'achat d'origine est exigée pour obtenir un service dans le cadre de la présente garantie limitée.

1. Usage commercial, non résidentiel ou par plusieurs familles, ou non-respect des instructions de l'utilisateur, de l'opérateur ou des instructions d'installation.
2. Visite d'instruction à domicile pour montrer à l'utilisateur comment utiliser l'appareil.
3. Visites de service pour rectifier une installation ou un entretien fautifs du produit, une installation non conforme aux codes d'électricité ou de plomberie, ou la rectification de l'installation électrique ou de la plomberie du domicile (ex : câblage électrique, fusibles ou tuyaux d'arrivée d'eau du domicile).
4. Pièces consommables (ex : ampoules, batteries, filtres à air ou à eau, solutions de conservation, etc.).
5. Défauts ou dommage résultant de l'utilisation de pièces ou accessoires Whirlpool non authentiques.
6. Conversion de votre produit du gaz naturel ou du gaz de pétrole liquéfié, ou inversion des portes de l'appareil.
7. Dommages causés par : accident, mésusage, abus, incendie, inondations, catastrophe naturelle ou l'utilisation de produits non approuvés par Whirlpool.
8. Réparations aux pièces ou systèmes dans le but de rectifier un dommage ou des défauts résultant d'une réparation, d'une altération ou d'une modification non autorisée de l'appareil.
9. Défauts d'apparence, notamment les éraflures, traces de choc, fissures ou tout autre dommage subi par le fini de l'appareil ménager, à moins que ces dommages ne résultent de vices de matériaux ou de fabrication et ne soient signalés à Whirlpool dans les 30 jours.
10. Décoloration, rouille ou oxydation des surfaces résultant d'environnements caustiques ou corrosifs incluant des concentrations élevées de sel, un haut degré d'humidité ou une exposition à des produits chimiques (exemples non exhaustifs).
11. Enlèvement ou livraison. Ce produit est conçu pour être réparé à l'intérieur du domicile.
12. Frais de déplacement et de transport pour le dépannage/la réparation dans une région éloignée où une compagnie de service Whirlpool autorisée n'est pas disponible.
13. Retrait ou réinstallation d'appareils inaccessibles ou de dispositifs préinstallés (ex : garnitures, panneaux décoratifs, plancher, meubles, îlots de cuisine, plans de travail, panneaux de gypse, etc.) qui entravent le dépannage, le retrait ou le remplacement du produit.
14. Service et pièces pour des appareils dont les numéros de série et de modèle originaux ont été enlevés, modifiés ou ne peuvent pas être facilement identifiés.

**Le coût d'une réparation ou d'un remplacement dans le cadre de ces circonstances exclues est à la charge du client.**



---

**CLAUSE D'EXONÉRATION DE RESPONSABILITÉ AU TITRE DES GARANTIES IMPLICITES**

LES GARANTIES IMPLICITES, Y COMPRIS LES GARANTIES APPLICABLES DE QUALITÉ MARCHANDE OU D'APTITUDE À UN USAGE PARTICULIER, SONT LIMITÉES À UN AN OU À LA PLUS COURTE PÉRIODE AUTORISÉE PAR LA LOI. Certains États et certaines provinces ne permettent pas de limitation sur la durée de garanties implicites de qualité marchande ou d'aptitude à un usage particulier, de sorte que la limitation ci-dessus peut ne pas être applicable dans votre cas. Cette garantie vous confère des droits juridiques spécifiques, et vous pouvez également jouir d'autres droits qui peuvent varier d'une juridiction à l'autre.

---

**EXONÉRATION DE RESPONSABILITÉ EN DEHORS DE LA GARANTIE**

Whirlpool ne prend aucun engagement quant à la qualité ou la durabilité de l'appareil, ou en cas de dépannage ou de réparation nécessaire sur ce gros appareil ménager, autre que les engagements énoncés dans la présente garantie. Si vous souhaitez une garantie prolongée ou plus complète que la garantie limitée fournie avec ce gros appareil ménager, renseignez-vous auprès de Whirlpool ou de votre détaillant à propos de l'achat d'une extension de garantie.

---

**LIMITATION DES RECOURS; EXCLUSION DES DOMMAGES FORTUITS OU INDIRECTS**

LE SEUL ET EXCLUSIF RECOURS DU CLIENT DANS LE CADRE DE LA PRÉSENTE GARANTIE LIMITÉE CONSISTE EN LA RÉPARATION PRÉVUE CI-DESSUS. WHIRLPOOL N'ASSUME AUCUNE RESPONSABILITÉ POUR LES DOMMAGES FORTUITS OU INDIRECTS. Certains États et certaines provinces ne permettent pas l'exclusion ou la limitation des dommages fortuits ou indirects de sorte que ces limitations et exclusions peuvent ne pas être applicables dans votre cas. Cette garantie vous confère des droits juridiques spécifiques, et vous pouvez également jouir d'autres droits qui peuvent varier d'une juridiction à l'autre.

---

11/14

## Assistance or Service

Before calling for assistance or service, please check "Troubleshooting" or visit [www.whirlpool.com/help](http://www.whirlpool.com/help). It may save you the cost of a service call. If you still need help, follow the instructions below. When calling, please know the purchase date and the complete model and serial number of your appliance. This information will help us to better respond to your request.

### If you need replacement parts or to order accessories

We recommend that you use only FSP® Factory Specified Parts. These parts will fit right and work right because they are made with the same precision used to build every new WHIRLPOOL® appliance.

**To locate FSP® replacement parts or accessories go to [www.whirlpoolpartsonline.com](http://www.whirlpoolpartsonline.com).**

Questions? Call us toll free at **1-866-698-2538** or in Canada call **1-800-688-2002**.

### Our consultants provide assistance with

#### In the U.S.A.

- Features and specifications on our full line of appliances.
- Installation information.
- Specialized customer assistance (Spanish speaking, hearing impaired, limited vision, etc.).

#### In the U.S.A. and Canada

- Use and maintenance procedures.
- Accessory and repair parts sales.
- Referrals to local dealers, repair parts distributors, and service companies. Whirlpool designated service technicians are trained to fulfill the product warranty and provide after-warranty service, anywhere in the United States and Canada.

You can write with any questions or concerns at:

Whirlpool Brand Appliances  
Customer eXperience Center  
553 Benson Road  
Benton Harbor, MI 49022-2692  
1-866-698-2538

Whirlpool Brand Appliances  
Customer eXperience Centre  
Unit 200-6750 Century Ave  
Mississauga, Ontario L5N 0B7  
1-800-688-2002

Please include a daytime phone number in your correspondence.

## Assistance ou Service

Avant de faire un appel pour obtenir de l'assistance ou un entretien, vérifier la section "Dépannage" ou consulter [www.whirlpool.com/help](http://www.whirlpool.com/help). Cette vérification peut vous faire économiser le coût d'une visite de réparation. Si vous avez encore besoin d'aide, suivre les instructions ci-dessous.

Lors d'un appel, garder à portée de main la date d'achat et les numéros de modèle et de série de votre appareil. Ces renseignements nous aideront à mieux répondre à votre demande.

### Pour commander des pièces de rechange ou des accessoires

Pour commander des pièces de rechange, nous vous recommandons d'utiliser seulement des pièces spécifiées par l'usine. Ces pièces conviendront et fonctionneront bien parce qu'elles sont fabriquées selon les mêmes spécifications précises utilisées pour construire chaque nouvel appareil WHIRLPOOL®.

**Pour trouver des pièces de rechange FSP® ou des accessoires, visiter le [www.whirlpool.ca](http://www.whirlpool.ca).**

Des questions? Composer le numéro sans frais **1-800-688-2002**.

### Nos consultants fournissent l'assistance pour :

- Procédés d'utilisation et d'entretien.
- Vente d'accessoires et de pièces de rechange.
- Références aux concessionnaires, compagnies de service de réparation et distributeurs de pièces de rechange locaux. Les techniciens de service désignés par Whirlpool sont formés pour remplir la garantie des produits et fournir un service après la garantie, partout au Canada.

### Pour plus d'assistance

Vous pouvez nous soumettre toute question ou tout problème en écrivant à l'adresse ci-dessous :

Whirlpool Brand Appliances  
Centre pour l'eXpérience de la clientèle  
Unit 200-6750 Century Ave  
Mississauga, Ontario L5N 0B7  
1-800-688-2002

Dans votre correspondance, veuillez indiquer un numéro de téléphone où nous pouvons vous joindre dans la journée.