

# Front Load Washer, 2.4 cu ft

Series 5 | Front Load

White

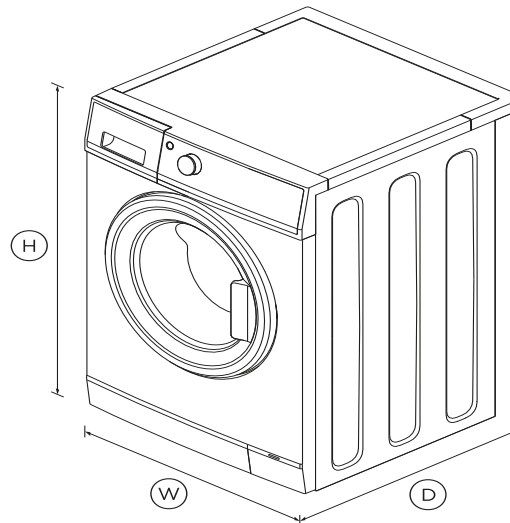


A compact washer with multiple cycles including Steam, plus a Quick 30 minute cycle to save you precious time

- 13 wash cycles including Sanitize, Sports and Wool wash
- 1400 RPM spin speed means more water is extracted from your items, resulting in a shorter dry cycle
- Energy Star certified

## DIMENSIONS

Height	33 <sup>1</sup> / <sub>4</sub> - 33 <sup>5</sup> / <sub>8</sub> "
Width	23 <sup>7</sup> / <sub>16</sub> "
Depth	25 <sup>3</sup> / <sub>8</sub> "



## FEATURES & BENEFITS

### SmartDrive(TM) technology

SmartDrive™ Technology is a gentle, quiet, and efficient combination of smart electronics and a direct drive motor that senses the load to deliver better fabric care.

### Large capacity

This Fisher & Paykel compact washer can wash up to 2.4 cubic feet per cycle, reducing the number of times you have to run your machine and saving precious time.

### Add a Garment

The Add a Garment feature allows you to quickly add or remove any size garment mid cycle. Simply press the Add a Garment button and the door will unlock. If the drum water is too high, just enough will be drained out before the door is unlocked.

### 13 fabric care cycles

13 wash cycles are available to cater for every type of wash that your household will require including Handwash, Sports and Sanitize cycles.

### Energy star certified

Our SmartDrive™ Front Loaders are Energy Star certified, making them some of the most efficient front loaders on the market.

### Sanitize wash

A cycle designed to provide extra security - the wash temperature reaches a heat that kills any additional bacteria hanging around.

## SPECIFICATIONS

### Accessories

Stacking kit

### Capacity

Capacity **2.4 cu ft**

### Features

- Add a garment (immediate)
- Anti-fungal door gasket
- Auto out of balance correction
- Automatic Water Level
- Choice of cold only or hot and
- Customise cycle
- Delay start

Eco	•
Excess foam detection	•
Extra rinse option	•
Flood protection	•
KeyLock	•
No spin / Spin Hold	•
Pre Wash	•
Progress indicator	•
Smart Diagnosis of problems	•
SmartTouch™ control dial	•
Soil levels	3
Spin speeds	4
Stainless steel drum bowl	•
Time to go	•
Timed liquid detergent	•
Water supply	Hot & Cold
Water temperature controls	5

**Performance**

Maximum spin speed	1400rpm
Number of spin speeds	4
Number of wash cycles	13
SmartDrive™	•
Vortex™ Wash	•
Wash profiles	13
Water usage (per wash cycle)	73L

**Product dimensions**

Depth	25 3/8"
-------	---------

Height	33 1/4 - 33 5/8"
Width	23 7/16"

**Warranty**

Parts and labor	2 years
Parts only direct drive motor	10 years

**Wash Cycles**

Bulky	•
Cottons	•
Delicate	•
Drum Clean	•
Everyday	•
Handwash	•
Heavy	•
Number of wash cycles	13
Perm press	•
Quick Wash 30	•
Rinse	•
Sanitize	•
Spin	•
Sports	•
Wrinkle Free	•

SKU	96236
-----	-------

currently available. Â© Fisher & Paykel Appliances Ltd 2019.

The product dimensions and specifications in this page apply to the specific product and model. Under our policy of continuous improvement, these dimensions and specifications may change at any time. You should therefore check with Fisher & Paykel's Customer Care Centre to ensure this page correctly describes the model

---

Other product downloads available at [fisherpaykel.com](http://fisherpaykel.com)



User Guide



Installation Guide



Installation Guide



Resources (zip)



**A PEACE OF MIND SALE**

**24 Hours 7 Days a Week Customer Support**

**T** 1300 650 590 **W** [www.fisherpaykel.com](http://www.fisherpaykel.com)