

Gas Dryer Installation Instructions

Canadian Electric Dryer Installation Instructions

Instructions pour l'installation de la sècheuse a gaz (É.-U. et Canada) et électrique (Canada uniquement)

Table of Contents

DRYER SAFETY	2
INSTALLATION REQUIREMENTS.....	4
Tools and Parts.....	4
LOCATION REQUIREMENTS.....	5
ELECTRIC DRYER POWER HOOKUP-CANADA ONLY	6
Electrical Requirements	6
GAS DRYER POWER HOOKUP	7
Electrical Requirements	7
Gas Supply Requirements.....	7
INSTALL LEVELING LEGS.....	8
VENTING.....	9
Venting Requirements.....	9
PLAN VENT SYSTEM.....	10
INSTALL VENT SYSTEM	12
MAKE GAS CONNECTION.....	12
CONNECT INLET HOSES.....	12
CONNECT VENT	14
LEVEL DRYER.....	14
COMPLETE INSTALLATION CHECKLIST	15
REVERSE DOOR SWING.....	15
TROUBLESHOOTING	17

Table des matières

SÉCURITÉ DE LA SÈCHEUSE	18
EXIGENCES D'INSTALLATION	20
Outillage et pièces	20
EXIGENCES D'EMPLACEMENT	21
RACCORDEMENT DE LA SÈCHEUSE ÉLECTRIQUE - CANADA SEULEMENT	22
Spécifications électriques.....	22
RACCORDEMENT D'UNE SÈCHEUSE À GAZ	23
Spécifications électriques.....	23
Spécifications de l'alimentation en gaz	23
INSTALLATION DES PIEDS DE NIVELLEMENT	25
L'ÉVACUATION	25
Exigences concernant l'évacuation	25
PLANIFICATION DU SYSTÈME D'ÉVACUATION.....	26
INSTALLATION DU SYSTÈME D'ÉVACUATION.....	28
RACCORDEMENT AU GAZ.....	29
RACCORDEMENT DES TUYAUX D'ALIMENTATION	29
RACCORDEMENT DU CONDUIT D'ÉVACUATION	31
RÉGLAGE DE L'APLOMB DE LA SÈCHEUSE	31
LISTE DE VÉRIFICATION POUR INSTALLATION TERMINÉE.....	32
INVERSION DU SENS D'OUVERTURE DE LA PORTE.....	32
DÉPANNAGE	34

INSTALLATION NOTES

Date of purchase: _____
 Date of installation: _____
 Installer: _____
 Model number: _____
 Serial number: _____

NOTES CONCERNANT L'INSTALLATION

Date d'achat : _____
 Date d'installation : _____
 Installateur : _____
 Numéro de modèle : _____
 Numéro de série : _____

Para obtener acceso al “Instrucciones de instalación” en español, o para obtener información adicional acerca de su producto, visite: www.whirlpool.com
 Tenga listo su número de modelo completo. Puede encontrar el número de modelo y de serie dentro de la cavidad superior de la puerta.

DRYER SAFETY

Your safety and the safety of others are very important.

We have provided many important safety messages in this manual and on your appliance. Always read and obey all safety messages.



This is the safety alert symbol.

This symbol alerts you to potential hazards that can kill or hurt you and others.

All safety messages will follow the safety alert symbol and either the word “DANGER” or “WARNING.”

These words mean:

! DANGER

You can be killed or seriously injured if you don't immediately follow instructions.

! WARNING

You can be killed or seriously injured if you don't follow instructions.

All safety messages will tell you what the potential hazard is, tell you how to reduce the chance of injury, and tell you what can happen if the instructions are not followed.



WARNING - “Risk of Fire”

- Clothes dryer installation must be performed by a qualified installer.
- Install the clothes dryer according to the manufacturer's instructions and local codes.
- Do not install a clothes dryer with flexible plastic venting materials or flexible metal (foil type) duct. If flexible metal duct is installed, it must be of a specific type identified by the appliance manufacturer as suitable for use with clothes dryers. Flexible venting materials are known to collapse, be easily crushed, and trap lint. These conditions will obstruct clothes dryer airflow and increase the risk of fire.
- To reduce the risk of severe injury or death, follow all installation instructions.
- Save these instructions.

When discarding or storing your old clothes dryer, remove the door.

WARNING: For your safety, the information in this manual must be followed to minimize the risk of fire or explosion, or to prevent property damage, personal injury, or death.

- Do not store or use gasoline or other flammable vapors and liquids in the vicinity of this or any other appliance.
- **WHAT TO DO IF YOU SMELL GAS:**
 - Do not try to light any appliance.
 - Do not touch any electrical switch; do not use any phone in your building.
 - Clear the room, building, or area of all occupants.
 - Immediately call your gas supplier from a neighbor's phone. Follow the gas supplier's instructions.
 - If you cannot reach your gas supplier, call the fire department.
- Installation and service must be performed by a qualified installer, service agency, or the gas supplier.

WARNING: Gas leaks cannot always be detected by smell.

Gas suppliers recommend that you use a gas detector approved by UL or CSA.

For more information, contact your gas supplier.

If a gas leak is detected, follow the "What to do if you smell gas" instructions.

IMPORTANT: The gas installation must conform with local codes, or in the absence of local codes, with the National Fuel Gas Code, ANSI Z223.1/NFPA 54 or the Canadian Natural Gas and Propane Installation Code, CSA B149.1.

The dryer must be electrically grounded in accordance with local codes, or in the absence of local codes, with the National Electrical Code, ANSI/NFPA 70 or Canadian Electrical Code, CSA C22.1.

In the State of Massachusetts, the following installation instructions apply:

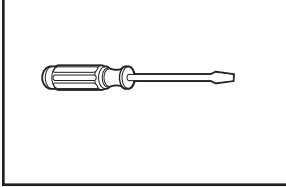
- Installations and repairs must be performed by a qualified or licensed contractor, plumber, or gasfitter qualified or licensed by the State of Massachusetts.
- If using a ball valve, it shall be a T-handle type.
- A flexible gas connector, when used, must not exceed 3 feet.

INSTALLATION REQUIREMENTS

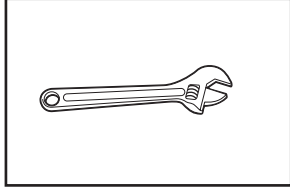
TOOLS AND PARTS

Gather the required tools and parts before starting installation. Read and follow the instructions provided with any tools listed here.

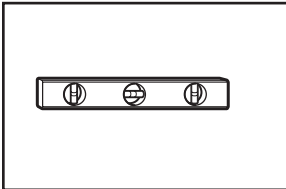
Tools needed for all installations:



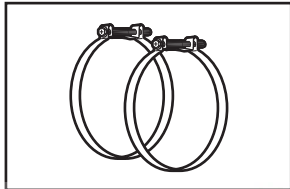
Flat-blade screwdriver



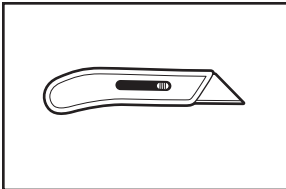
Adjustable wrench that opens to 1" (25 mm) or hex-head socket wrench



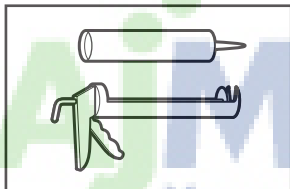
Level



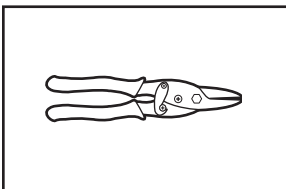
Vent clamps



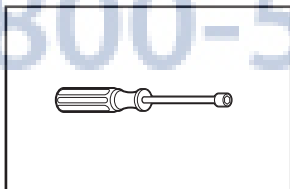
Utility knife



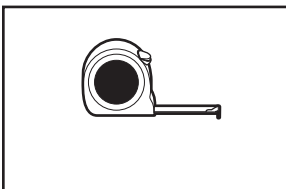
Caulking gun and compound (for installing new exhaust vent)



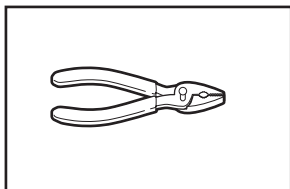
Tin snips (new vent installations)



1/4" (6 mm) nut driver (recommended)

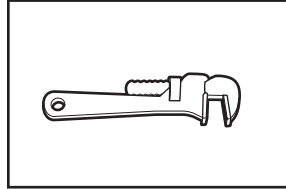


Tape measure

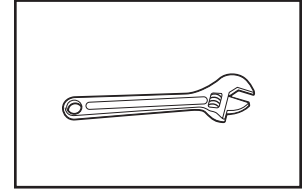


Pliers

Tools needed for gas installations:



8" (203 mm) or 10" (254 mm) pipe wrench

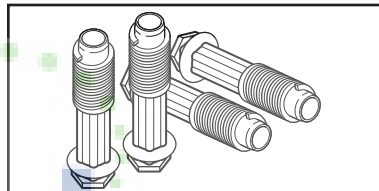


8" (203 mm) or 10" (254 mm) adjustable wrench (for gas connections)



Pipe-joint compound resistant to LP gas

Parts supplied (all models):

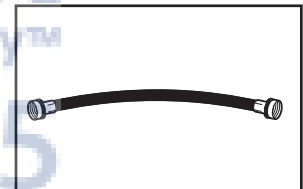


Leveling legs (4)

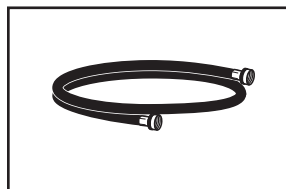
Parts supplied (steam models):



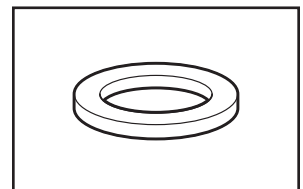
"Y" connector



2' (0.6 m) inlet hose



5' (1.5 m) Inlet Hose



Rubber washer

Remove parts package from dryer drum. Check that all parts are included.

Parts needed: (Not supplied with dryer)

Check local codes. Check existing electrical supply and venting. See "Electrical Requirements" and "Venting Requirements" before purchasing parts.


Mobile home installations require metal exhaust system hardware available for purchase from the dealer from whom you purchased your dryer. For further information, please refer to the "Assistance or Service" section in your "Use and Care Guide".

Optional Equipment: (Not supplied with dryer)

Refer to your "Use and Care Guide" for information about accessories available for your dryer.

LOCATION REQUIREMENTS

⚠ WARNING



Explosion Hazard

Keep flammable materials and vapors, such as gasoline, away from dryer.

Place dryer at least 18 inches (460 mm) above the floor for a garage installation.

Failure to do so can result in death, explosion, or fire.

You will need:

- A location allowing for proper exhaust installation. See "Venting Requirements".
- A separate 15 or 20-amp circuit needed for gas dryers and 30-amp circuit needed for electric dryers.
- If using power supply cord, a grounded electrical outlet located within 2 ft. (610 mm) of either side of dryer. See "Electrical Requirements".
- Floor must support dryer weight of 200 lbs. (90.7 kg). Also consider weight of companion appliance.
- Level floor with maximum slope of 1" (25 mm) under entire dryer. If slope is greater than 1", clothes may not tumble properly and automatic sensor cycles may not operate correctly.
- For garage installation, place dryer at least 18" (460 mm) above floor.
- Steam models only: Cold water faucets located within 4 ft. (1.2 m) of the water fill valves, and water pressure of 20-100 psi (137.9-689.6 kPa). You may use the water supply for your washer using the "Y" connector provided.

Do not operate your dryer at temperatures below 45° F (7°C). At lower temperatures, the dryer might not shut off at the end of an automatic sensor cycle. this can result in longer drying times.

The dryer must not be installed or stored in an area where it will be exposed to water and/or weather.

Check codes requirements. Some codes limit, or do not permit, installation of the dryer in garages, closets, mobile homes, or sleeping quarters. Contact your local building inspector.

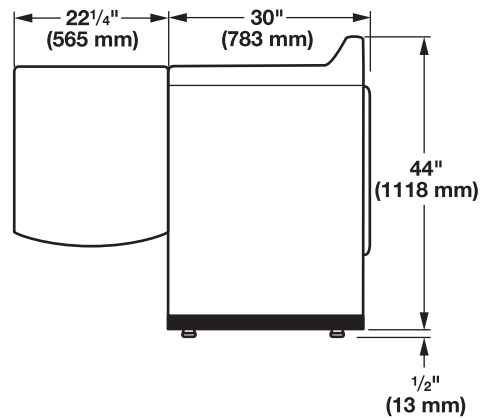
NOTE: No other fuel-burning appliance can be installed in the same closet as a dryer.

INSTALLATION CLEARANCES

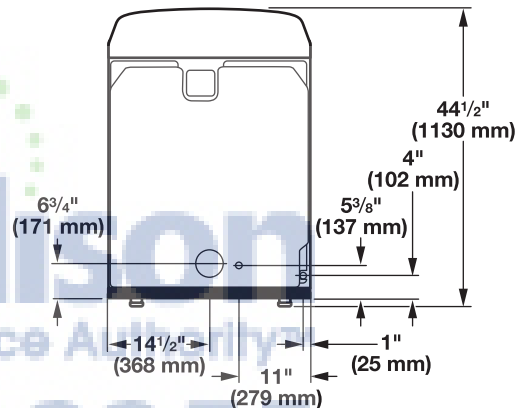
The location must be large enough to allow the dryer door to open fully.

DRYER DIMENSIONS

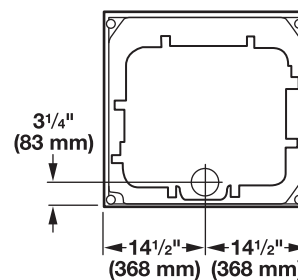
Side view with open door dimensions:



Back view:



Bottom view:

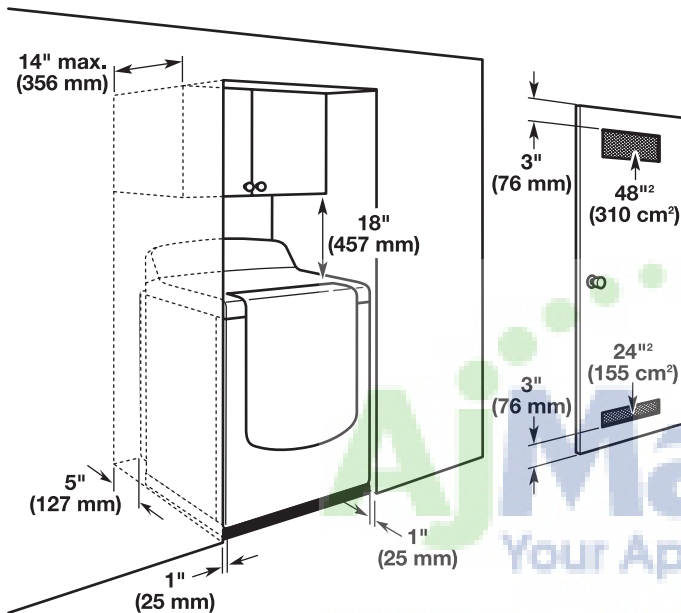


NOTE: Most installations require a minimum of 5" (127 mm) clearance behind dryer for exhaust vent with elbow. See "Venting Requirements".

Spacing for recessed area or closet installation

All dimensions show recommended spacing allowed, with tested spacing of 0" (0 mm) clearance on sides and rear.

- Additional spacing should be considered for ease of installation and servicing.
- Additional clearances might be required for wall, door, and floor moldings.
- Additional spacing should be considered on all sides of the dryer to reduce noise transfer.
- For closet installation, with a door, minimum ventilation openings in the top and bottom of the door are required. Louvered doors with equivalent ventilation openings are acceptable.
- Companion appliance spacing should also be considered.



ELECTRIC DRYER POWER HOOKUP- CANADA ONLY

ELECTRICAL REQUIREMENTS

WARNING



Electrical Shock Hazard

Plug into a grounded 4 prong outlet.

Failure to do so can result in death or electrical shock.

It is your responsibility:

- To contact a qualified electrical installer.
- To be sure that the electrical connection is adequate and in conformance with Canadian Electrical Code, C22.1-latest edition and all local codes. A copy of above codes standard may be obtained from: Canadian Standards Association, 178 Rexdale Blvd., Toronto, ON M9W 1R3 CANADA.
- To supply the required 4 wire, single phase, 120/240 volt, 60 Hz, AC only electrical supply on a separate 30-amp circuit, fused on both sides of the line. A time-delay fuse or circuit breaker is recommended. Connect to an individual branch circuit.
- This dryer is equipped with a CSA International Certified Power Cord intended to be plugged into a standard 14-30R wall receptacle. The cord is 5 ft. (1.52 m) long. Be sure wall receptacle is within reach of dryer's final location.



4-wire receptacle (14-30R)

Mobile home - Additional installation requirements:

This dryer is suitable for mobile home installations. The installation must conform to the Manufactured Home Construction and Safety Standard, Title 24 CFR, Part 3280 (formerly the Federal Standard for Mobile home construction and Safety, Title 24, HUD Part 280) or Standard CAN/CSA-Z240 MH.

Mobile home installations require:

All dryers:

- Metal exhaust system hardware, available for purchase from your dealer. For further information, see "Assistance or Service" section in your "Use and Care Guide".
- Special provisions must be made in mobile homes to introduce outside air into dryer. Openings (such as a nearby window) should be at least twice as large as dryer exhaust opening.

For gas dryers mobile home installations:

- Mobile Home Installation Hold-down Kit Part Number W10432680 is available to order. For further information, see "Assistance or Service" section in your "Use and Care Guide".

If using a replacement power supply cord, it is recommended that you use Power Supply Cord Replacement Part Number 9831317.

For further information, please reference service numbers located in "Assistance or Service" section of your "Use and Care Guide".

GROUNDING INSTRUCTIONS

■ For a grounded, cord-connected dryer:
This dryer must be grounded. In the event of malfunction or breakdown, grounding will reduce the risk of electric shock by providing a path of least resistance for electric current. This dryer is equipped with a cord having an equipment-grounding conductor and a grounding plug. The plug must be plugged into an appropriate outlet that is properly installed and grounded in accordance with all local codes and ordinances.

WARNING: Improper connection of the equipment-grounding conductor can result in a risk of electric shock. Check with a qualified electrician or service representative or personnel if you are in doubt as to whether the dryer is properly grounded. Do not modify the plug provided with the dryer: if it will not fit the outlet, have a proper outlet installed by a qualified electrician.

SAVE THESE INSTRUCTIONS

GROUNDING INSTRUCTIONS

■ For a grounded, cord-connected dryer:
This dryer must be grounded. In the event of malfunction or breakdown, grounding will reduce the risk of electric shock by providing a path of least resistance for electric current. This dryer is equipped with a cord having an equipment-grounding conductor and a grounding plug. The plug must be plugged into an appropriate outlet that is properly installed and grounded in accordance with all local codes and ordinances.

WARNING: Improper connection of the equipment-grounding conductor can result in a risk of electric shock. Check with a qualified electrician or service representative or personnel if you are in doubt as to whether the dryer is properly grounded. Do not modify the plug provided with the dryer: if it will not fit the outlet, have a proper outlet installed by a qualified electrician.

SAVE THESE INSTRUCTIONS

GAS DRYER POWER HOOKUP ELECTRICAL REQUIREMENTS

⚠ WARNING



Electrical Shock Hazard

- Plug into a grounded 3 prong outlet.
- Do not remove ground prong.
- Do not use an adapter.
- Do not use an extension cord.
- Failure to follow these instructions can result in death, fire, or electrical shock.

- 120 Volt, 60 Hz, AC only, 15- or 20- amp fused electrical supply is required. A time-delay fuse or circuit breaker is recommended. It is also recommended that a separate circuit serving only this dryer be provided.

GAS SUPPLY REQUIREMENTS

⚠ WARNING



Explosion Hazard

- Use a new CSA International approved gas supply line. Install a shut-off valve.
- Securely tighten all gas connections.
- If connected to LP, have a qualified person make sure gas pressure does not exceed 13" (330 mm) water column.
- Examples of a qualified person include:
licensed heating personnel,
authorized gas company personnel, and
authorized service personnel.
- Failure to do so can result in death, explosion, or fire.

GAS TYPE

Natural Gas:

This dryer is equipped for use with Natural gas. It is design-certified by CSA International for LP (propane or butane) gases with appropriate conversion.

- Your dryer must have the correct burner for the type of gas in your home. Burner information is located on the rating plate in the door well of your dryer. If this information does not agree with the type of gas available, contact your dealer or call the phone numbers referenced in the "Assistance or Service" section of your "Use and Care Guide".

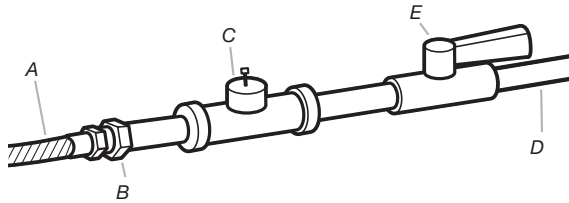
LP Gas Conversion:

IMPORTANT: Conversion must be made by a qualified technician.

No attempt shall be made to convert the dryer from the gas specified on the model/serial rating plate for use with a different gas without consulting your gas company.

GAS SUPPLY LINE

- Must include 1/8" NPT minimum plugged tapping accessible for test gauge connection, immediately upstream of the gas connection to the dryer.



- A. 3/8" flexible gas connector
- B. 3/8" pipe to flare adapter fitting
- C. 1/8" NPT minimum plugged tapping
- D. 1/2" NPT gas supply line
- E. Gas shutoff valve.

- 1/2" IPS pipe is recommended.
- 3/8" approved aluminum or copper tubing is acceptable for lengths under 20 ft. (6.1 m) if local codes and gas supplier permit.
- If you are using Natural gas, do not use copper tubing.
- Lengths over 20 ft. (6.1 m) should use larger tubing and a different size adapter fitting.
- If your dryer has been converted to use LP gas, 3/8" LP compatible copper tubing can be used. If the total length of the supply line is more than 20 ft. (6.1 m), use larger pipe.

NOTE: Pipe-joint compounds that resist the action of LP gas must be used. Do not use TEFLON[®] tape.

- Must include shut-off valve

In the U.S.A.:

An individual manual shut-off valve must be installed within six (6) ft. (1.8 m) of the dryer in accordance with the National Fuel Gas Code, ANSI Z223.1. The location should be easy to reach for opening and closing.

In Canada:

An individual manual shut-off valve must be installed in accordance with the B149.1, Natural Gas and Propane Installation Code. It is recommended that an individual manual shutoff valve be installed within six (6) ft. (1.8 m) of the dryer. The location should be easy to reach for opening and closing.

GAS SUPPLY CONNECTION REQUIREMENTS

- Use an elbow and a 3/8" flare x 3/8" NPT adapter fitting between the flexible gas connector and the dryer gas pipe, as needed to avoid kinking.
- Use only pipe-joint compound. Do not use TEFLON[®] tape.
- This dryer must be connected to the gas supply line with a listed flexible gas connector that complies with the standard for connectors for gas appliances, ANSI Z21.24 or CSA 6.10.

BURNER INPUT REQUIREMENTS

Elevations above 10,000 ft. (3,048 m):

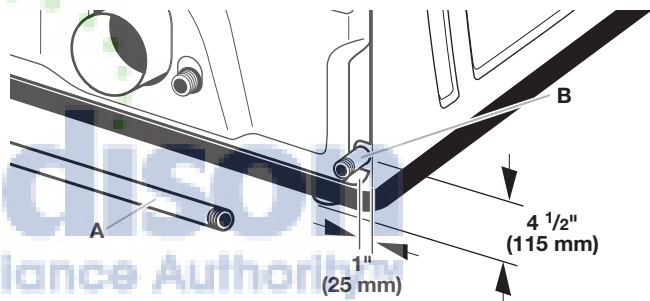
- When installed above 10,000 ft. (3,048 m) a 4% reduction of the burner Btu rating shown on the model/serial number plate is required for each 1,000 ft. (305 m) increase in elevation.

Gas supply pressure testing

- The dryer must be disconnected from the gas supply piping system during pressure testing at pressures greater than 1/2 psi.

DRYER GAS PIPE

- The gas pipe that comes out through the rear of your dryer has a 3/8" male pipe thread.



- A. 1/2" NPT gas supply line
- B. 3/8" NPT dryer pipe

NOTE: If the dryer is mounted on a pedestal, the gas pipe height must be an additional 10" (254 mm) or 15.5" (394 mm) from the floor, depending on the pedestal model. For a garage installation, the gas pipe height must be an additional 18" (460 mm) from the floor.

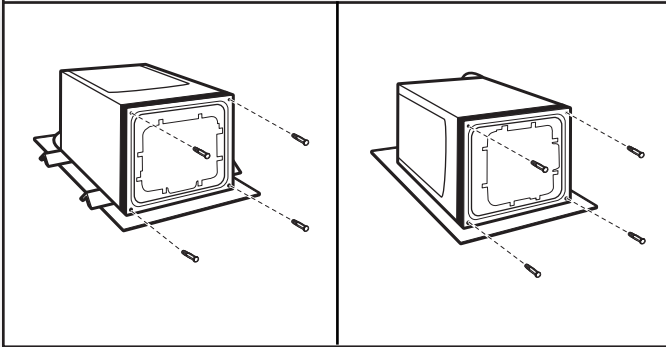
INSTALL LEVELING LEGS

⚠ WARNING

Excessive Weight Hazard

Use two or more people to move and install dryer.
Failure to do so can result in back or other injury.

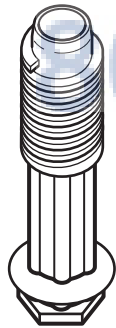
1. Prepare dryer for leveling legs



To avoid damaging floor, use a large flat piece of cardboard from dryer carton; place under entire dryer. Firmly grasp dryer body (not console panel) and gently lay dryer down on cardboard.

IMPORTANT: If laying dryer on its back, use the cardboard corner posts the dryer was packed with to avoid damaging the back of the dryer. Lay the dryer on its side if you do not have the cardboard corner posts the dryer was packed with.

2. Screw in leveling legs



Examine leveling legs. Screw legs into leg holes by hand, use a wrench if necessary, to finish turning legs until they begin to touch the base.

Now stand the dryer on its legs. Slide the dryer until it is close to its final location. Leave enough room for electrical connection and to connect the exhaust vent.

VENTING

VENTING REQUIREMENTS

⚠ WARNING



Fire Hazard

Use a heavy metal vent.
Do not use a plastic vent.
Do not use a metal foil vent.
Failure to follow these instructions can result in death or fire.

WARNING: To reduce the risk of fire, this dryer **MUST BE EXHAUSTED OUTDOORS.**

IMPORTANT: Observe all governing codes and ordinances. Dryer exhaust must not be connected into any gas vent, chimney, wall, ceiling, attic, crawlspace, or a concealed space of a building. Only rigid or flexible metal vent shall be used for exhausting.



4" (102 mm) heavy metal exhaust vent

- Only a 4" (102 mm) heavy metal exhaust vent and clamps may be used.
- Do not use plastic or metal foil vent.

Rigid metal vent:

- Recommended for best drying performance and to avoid crushing and kinking.

Flexible metal vent: (Acceptable only if accessible to clean)

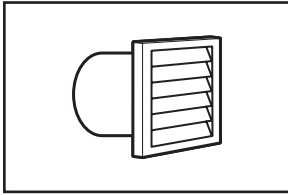
- Must be fully extended and supported in final dryer location.
- Remove excess to avoid sagging and kinking that may result in reduced airflow and poor performance.
- Do not install in enclosed walls, ceilings, or floors.
- The total length should not exceed 7 ³/₄ ft. (2.4 m).

NOTE: If using an existing vent system, clean lint from entire length of the system and make sure exhaust hood is not plugged with lint. Replace plastic or metal foil vents with rigid metal or flexible metal vents. Review Vent System Chart and if necessary, modify existing vent system to achieve best drying performance.

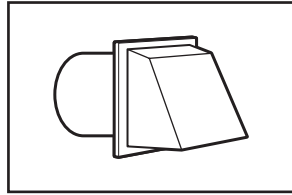
Exhaust hoods:

- Must be at least 12" (305 mm) from ground or any object that may obstruct exhaust (such as flowers, rocks, bushes, or snow).

Recommended Styles:

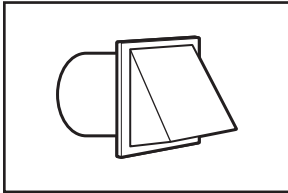


Louvered Hood



Box Hood

Acceptable Style:

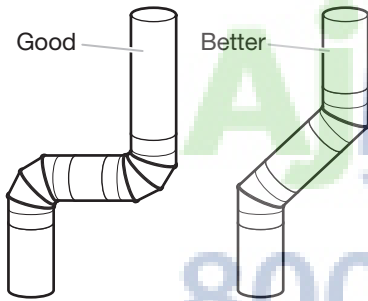


Angled Hood

Elbows:

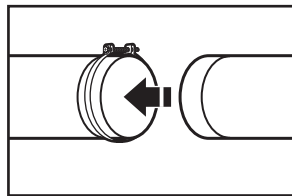
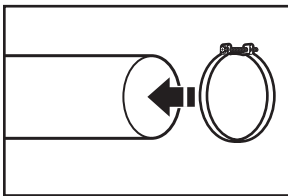
- 45° elbows provide better airflow than 90° elbows.

Recommended Styles:



Clamps:

- Use clamps to seal all joints.
- Exhaust vent must not be connected or secured with screws or other fastening devices that extend into interior of duct and catch lint. Do not use duct tape.



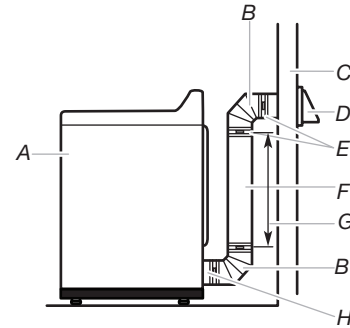
Improper venting can cause moisture and lint to collect indoors, which may result in:

- Moisture damage to woodwork, furniture, paint, wallpaper, carpets, etc.
- Housecleaning problems and health problems.

PLAN VENT SYSTEM

Recommended exhaust installations


Typical installations vent the dryer from the rear of the dryer. Other installations are possible.



- A. Dryer
- B. Elbow
- C. Wall
- D. Exhaust hood
- E. Clamps
- F. Rigid metal or flexible metal vent
- G. Vent length necessary to connect elbows
- H. Exhaust outlet

Optional exhaust installations:

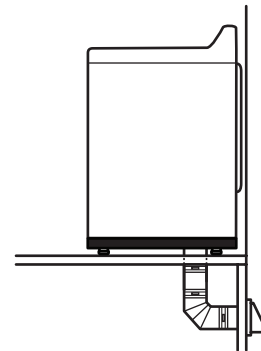
⚠ WARNING



Fire Hazard

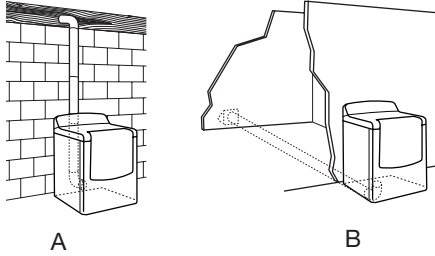
Use a heavy metal vent.
Do not use a plastic vent.
Do not use a metal foil vent.
Failure to follow these instructions can result in death or fire.

- Exhaust Cover Kit (to cover unused exhaust holes):
Part Number W10186596 - all models
- Bottom Exhaust Kit- Part Number 8212503



Vent products can be purchased from your dealer. For more information, see "Assistance or Service" section in your "Use and Care Guide".

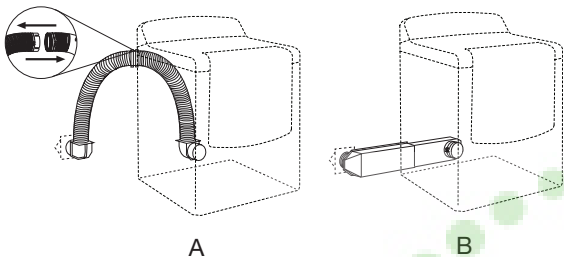
If you prefer, dryer may be converted to exhaust through the bottom. You must contact your local dealer to have dryer converted.



A. Standard rear offset exhaust installation
B. Bottom exhaust installation

Alternate installations for close clearances

Venting systems come in many varieties. Select the type best for your installation. Two close-clearance installations are shown. Refer to the manufacturer’s instructions.



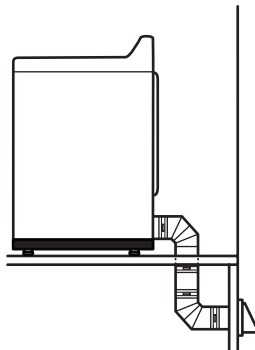
A. Over-the-top installation (also available with one offset elbow)
B. Periscope installation

NOTE: The following kits for close clearance alternate installations are available for purchase. Contact your local dealer.

- Over-the-Top Installation:
Part Number 4396028
- Periscope Installation (For use with dryer vent to wall vent mismatch):
Part Number 4396037 - 0" (0 mm) to 18" (460 mm) mismatch
Part Number 4396011 - 18" (460 mm) to 29" (737 mm) mismatch
Part Number 4396014 - 29" (737 mm) to 50" (1270 mm) mismatch

Special provisions for mobile homes:

Exhaust vent must be securely fastened to a noncombustible portion of mobile home and must not terminate beneath the mobile home. Terminate exhaust vent outside.



Mobile Home Exhaust installation

Determine vent path:

- Select route that will provide straightest and most direct path outdoors.
- Plan installation to use fewest number of elbows and turns.
- When using elbows or making turns, allow as much room as possible.
- Bend vent gradually to avoid kinking.
- Use as few 90° turns as possible.

Determine vent length and elbows needed for best drying performance:

- Use following Vent System Chart to determine type of vent material and hood combinations acceptable to use.

NOTE: Do not use vent runs longer than those specified in Vent System Chart. Exhaust systems longer than those specified will:

- Shorten life of dryer.
- Reduce performance, resulting in longer drying times and increased energy usage.

The Vent System Charts provide venting requirements that will help achieve best drying performance.

Whirlpool Vent System Chart

Number of 90° elbows	Type of vent	Box/louvered hoods	Angled hoods
0	Rigid metal	64 ft. (20 m)	58 ft. (17.7 m)
1	Rigid metal	54 ft. (16.5 m)	48 ft. (14.6 m)
2	Rigid metal	44 ft. (13.4 m)	38 ft. (11.6 m)
3	Rigid metal	35 ft. (10.7 m)	29 ft. (8.8 m)
4	Rigid metal	27 ft. (8.2 m)	21 ft. (6.4 m)

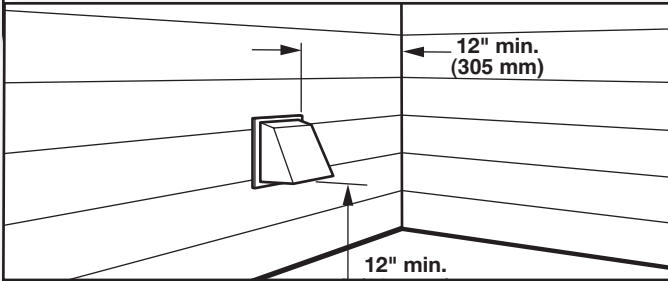
Maytag Vent System Chart

Number of 90° elbows	Type of vent	Box/louvered hoods	Angled hoods
0	Rigid metal	100 ft. (30.5 m)	94 ft. (28.7 m)
1	Rigid metal	90 ft. (27.4 m)	84 ft. (25.6 m)
2	Rigid metal	80 ft. (24.4 m)	74 ft. (22.6 m)
3	Rigid metal	71 ft. (21.6 m)	65 ft. (19.8 m)
4	Rigid metal	63 ft. (19.2 m)	57 ft. (17.4 m)

NOTE: Bottom exhaust installations have a 90° turn inside the dryer. To determine maximum exhaust length, add one 90° turn to the charts.

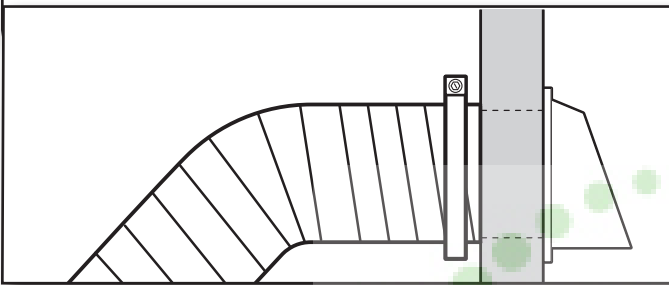
INSTALL VENT SYSTEM

1. Install exhaust hood



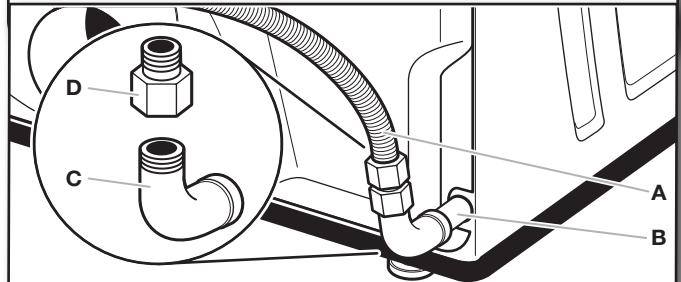
Install exhaust hood and use caulking compound to seal exterior wall opening around exhaust hood.

2. Connect vent to exhaust hood



Vent must fit over the exhaust hood. Secure vent to exhaust hood with 4" (102 mm) clamp. Run vent to dryer location using straightest path possible. Avoid 90° turns. Use clamps to seal all joints. Do not use duct tape, screws, or other fastening devices that extend into interior of vent to secure vent, because they can catch lint.

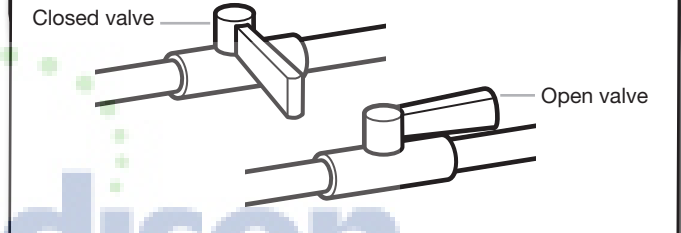
2. Plan pipe fitting connection



A. 3/8" flexible gas connector
B. 3/8" dryer pipe
C. 3/8" to 3/8" pipe elbow
D. 3/8" pipe-to-flare adapter fitting

A combination of pipe fittings must be used to connect dryer to existing gas line. A recommended connection is shown. Your connection may be different, according to supply line type, size, and location.

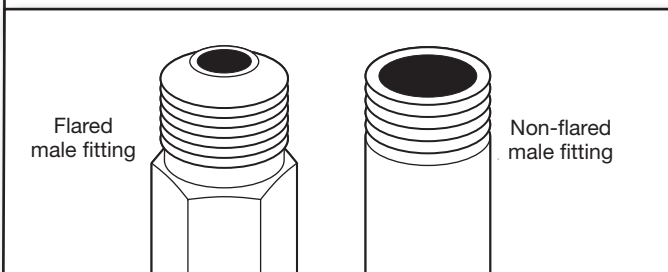
3. Open shut-off valve



Open shut-off valve in supply line; valve is open when handle is parallel to gas pipe. Then, test all connections by brushing on an approved noncorrosive leak-detection solution. Bubbles will show a leak. Correct any leaks found.

MAKE GAS CONNECTION

1. Connect gas supply to dryer



Remove red cap from gas pipe. Using a wrench to tighten, connect gas supply to dryer. Use pipe-joint compound on threads of all non-flared male fittings. If flexible metal tubing is used, be sure there are no kinks.

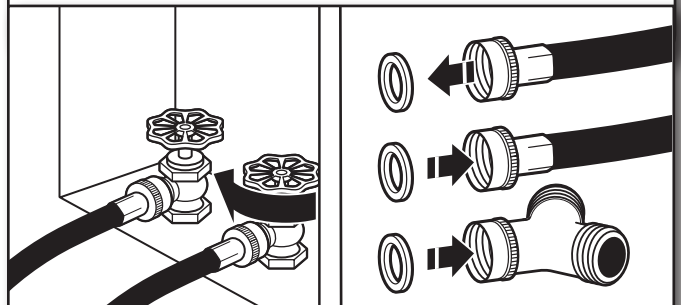
NOTE: For LP gas connections, you must use pipe-joint compound resistant to action of LP gas. Do not use TEFLON^{®†} tape.

CONNECT INLET HOSES

For non-steam models, skip to "Connect Vent" on page 14.

The dryer must be connected to the cold water faucet using the new inlet hoses. Do not use old hoses.

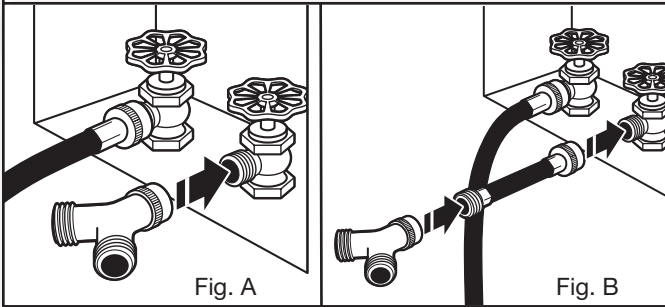
1. Turn cold water off, remove and replace rubber washer



Turn cold water faucet off and remove washer inlet hose.

Check and see if rubber washer is in the "Y" connector. Remove old rubber washer from inlet hose and replace with new rubber washer provided.

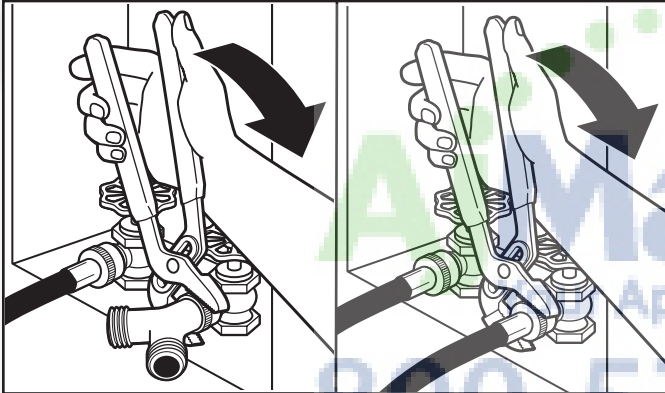
2. Attach short hose and "Y" connector



If space permits, attach the female end of the "Y" connector to the cold water faucet. See figure A.

If "Y" connector cannot be attached directly to the cold water faucet, the short hose must be used. See figure B. Attach short hose to cold water faucet. Screw on coupling by hand until it is seated on faucet. Then attach "Y" connector to the male end of the short hose. Screw on coupling by hand until it is seated on connector.

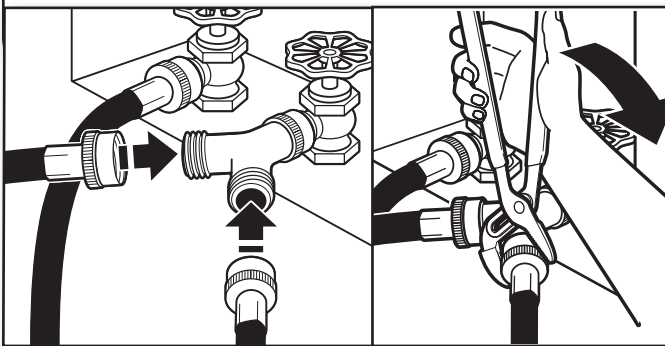
3. Tighten couplings



Using pliers, tighten the couplings with additional two-thirds turn.

NOTE: Do not overtighten. Damage to the coupling can result.

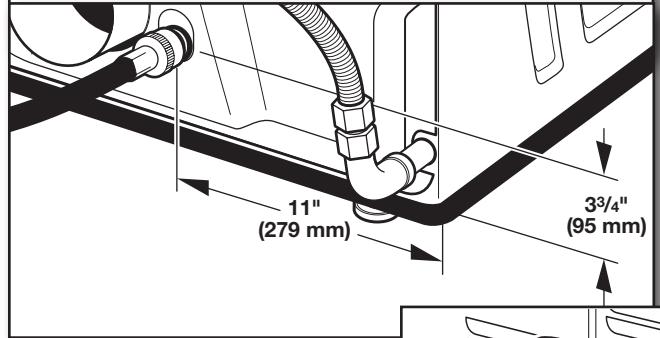
4. Attach long hose to "Y" connector and tighten couplings



One end of the long hose has a wire mesh strainer inside the coupling. Attach this end to the "Y" connector. Attach washer cold inlet hose to other side of "Y" connector. Screw on coupling by hand until it is seated on connector. Using pliers, tighten the couplings an additional two-thirds turn.

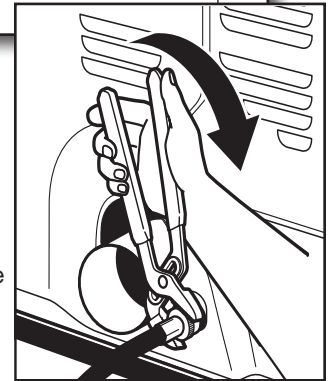
NOTE: Do not overtighten. Damage to the coupling can result.

5. Attach long hose to dryer fill valve and tighten coupling

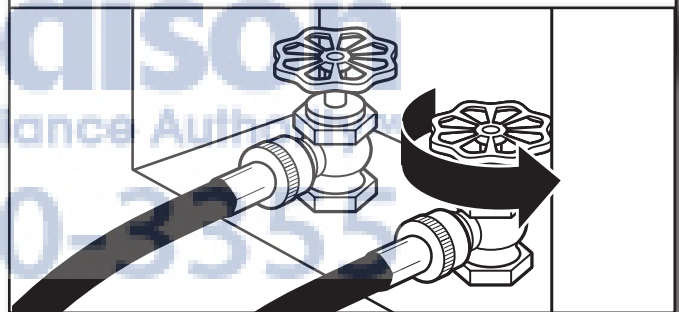


Attach other end of long hose to fill valve at bottom of dryer back panel. Screw on coupling by hand until it is seated on fill valve connector. Using pliers, tighten the couplings an additional two-thirds turn.

NOTE: Do not overtighten. Damage to the coupling can result.

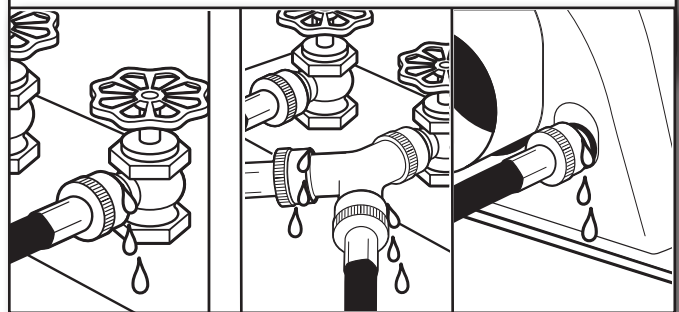


6. Turn on cold water faucet



Check that the water faucets are turned on.

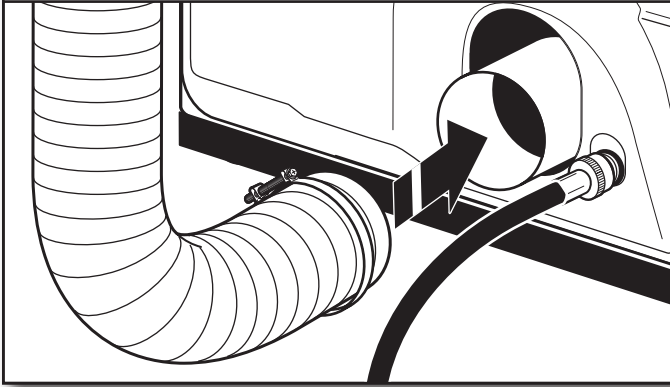
7. Check for leaks



Check for leaks around "Y" connector, faucets, and hoses.

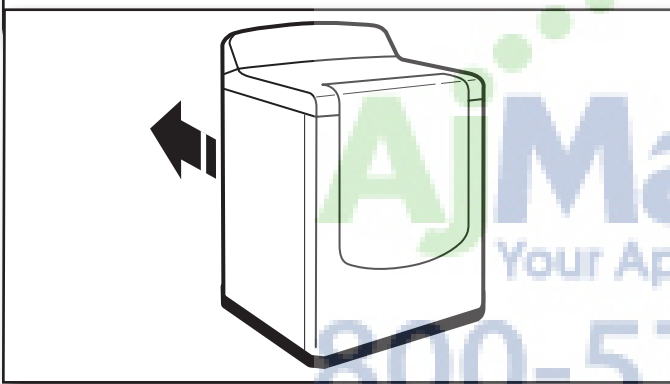
CONNECT VENT

1. Connect vent to exhaust outlet



Using a 4" (102 mm) clamp, connect vent to exhaust outlet in dryer. If connecting to existing vent, make sure vent is clean. Dryer vent must fit over dryer exhaust outlet and inside exhaust hood. Check that vent is secured to exhaust hood with a 4" (102 mm) clamp.

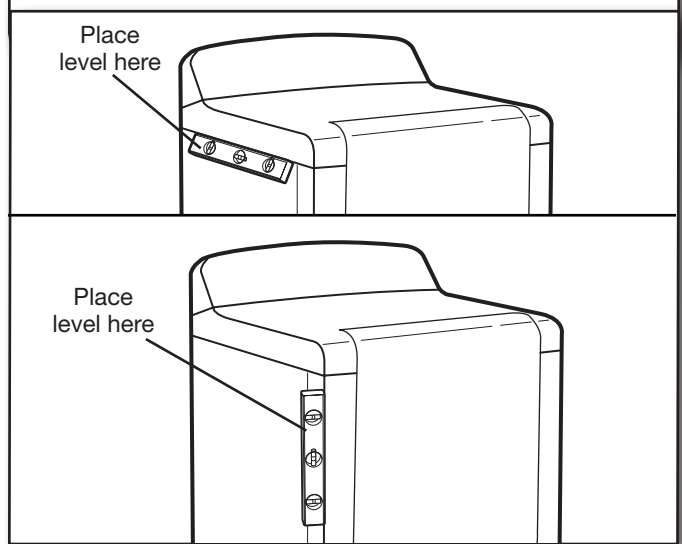
2. Move dryer to final location



Move dryer to final location. Avoid crushing or kinking vent. After dryer is in place, remove cardboard from under dryer.

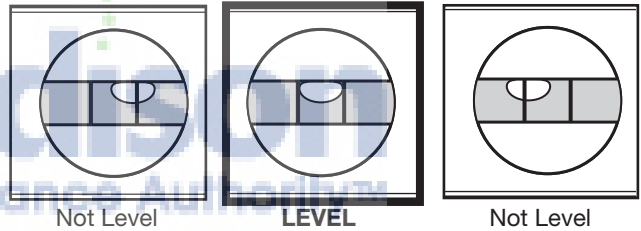
LEVEL DRYER

1. Level Dryer

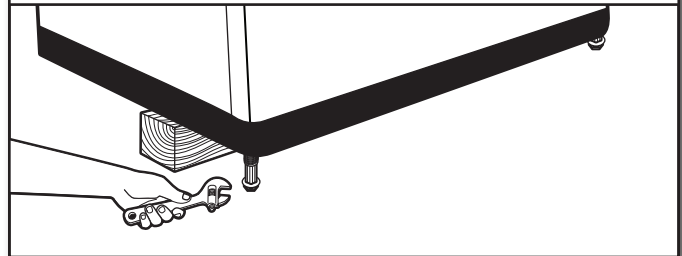


Check levelness of dryer from side to side. Repeat from front to back.

NOTE: The dryer must be level for the moisture sensing system to operate correctly.



2. Adjust leveling legs



If dryer is not level, prop up using a wood block, use wrench to adjust legs by backing out the foot as needed, then checking again for levelness. Once legs are level, make sure all four legs are snug against the floor.

COMPLETE INSTALLATION CHECKLIST

- Check that all parts are now installed. If there is an extra part, go back through steps to see what was skipped.
- Check that you have all of your tools.
- Dispose of/recycle all packaging materials.
- Be sure the water faucets are on.
- Check for leaks around “Y” connector, faucets, and hoses.
- Check dryer’s final location. Be sure vent is not crushed or kinked.
- Check that dryer is level. See “Level Dryer”.
- Remove film on console and any tape remaining on dryer.
- Wipe dryer drum interior thoroughly with a damp cloth to remove any dust.
- Read “Dryer Use” in your “Use and Care Guide”.
- If you live in a hard water area, use of a water softener is recommended to control the buildup of scale through the water system in the dryer. Over time, the buildup of lime scale may clog different parts of the water system, which will reduce product performance. Excessive scale buildup may lead to the need for certain part replacement or repair.

Electric Models:

- Plug into a grounded outlet.

Gas Models:

- Check that gas supply is on.
- Check for leaks.

All Models:

- Select a Timed Dry heated cycle, and start dryer. Do not select Air Only Temperature setting.

If dryer will not start, check the following:

- Controls are set in a running or "On" position.
- Start button has been pushed firmly.
- Dryer is plugged into an outlet and/or electrical supply is connected.
- Household fuse is intact and tight, or circuit breaker has not tripped.
- Dryer door is closed.

This dryer automatically runs an installation diagnostic routine at the start of its first cycle.

NOTE: You may notice an odor when dryer is first heated. This odor is common when heating element is first used. The odor will go away.

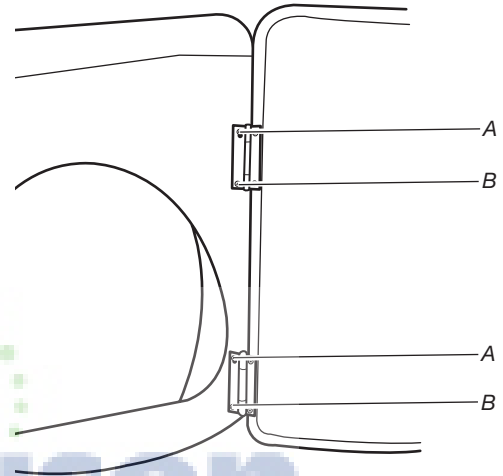
REVERSE DOOR SWING

You can change your door swing from a right-side opening to a left-side opening, if desired.

1. Place a towel or soft cloth on top of dryer or work space to avoid damaging the surface.

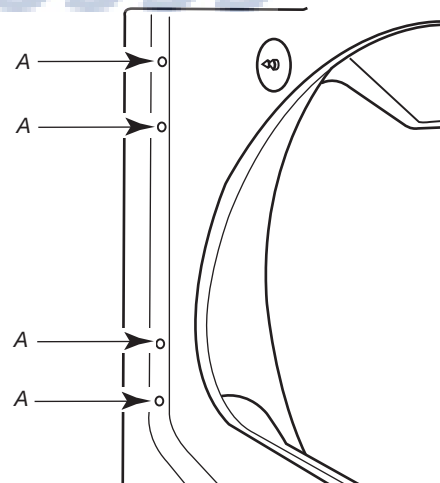
Remove the door assembly

1. Open the dryer door.
2. Remove the bottom screw (B) from each of the two hinges that attach dryer door to front panel of dryer.
3. Loosen the top screw (A) from each of the two hinges in Step 2.



4. Remove the dryer door and the hinges by lifting upward on the door. Lay the door on a flat, covered surface, with the inside of the door facing up. Remove remaining two loose screws from dryer front panel.

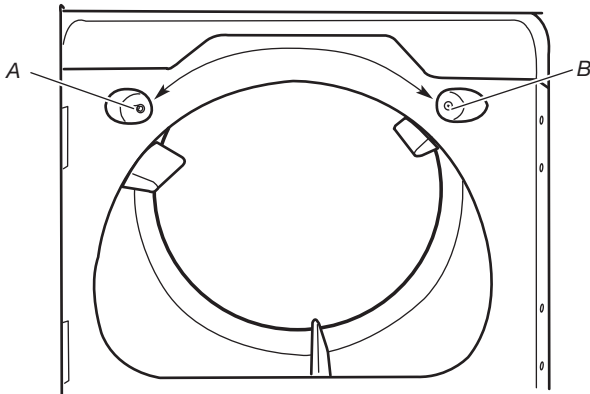
5. Remove the 4 plastic plugs (A) located outside the dryer door opening.



6. Install 4 plastic plugs (A) into screw holes in the dryer left where the hinges were removed in Step 4.

Reverse the strike

1. Remove the door strike (A) from the dryer door opening.
2. Remove the cosmetic screw (B) opposite the door strike (A).



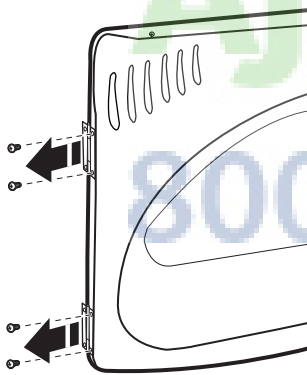
A. Door strike
B. Cosmetic screw

3. Reinstall the door strike and cosmetic screw on the opposite side of dryer door opening from where they were removed.

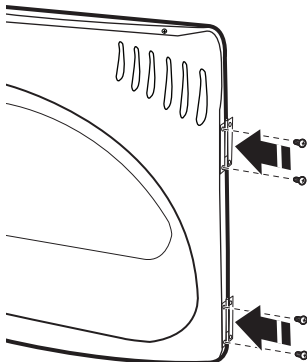
NOTE: Door strike and plugs must be on the same side of the dryer door opening.

Reinstall the door

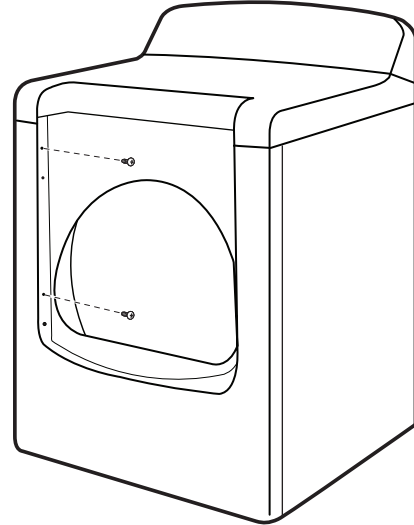
1. Remove the 4 screws and two hinges from the dryer door.



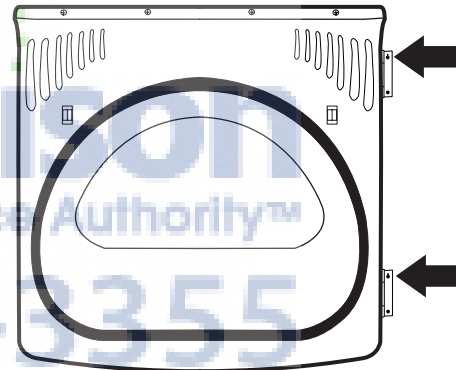
2. Replace the 4 screws in the same holes
3. Remove the 4 screws from the opposite side of the door.



4. Install the two hinges to the front panel of the dryer using 4 screws. Use the non-slotted side to attach the hinge to the front panel.
5. Install screws in top hinge holes in the door. Do not tighten screws. Leave approximately 1/4" (5 mm) of screw exposed.



6. Hang door by placing screw heads into top slotted holes of hinges and slide door down. Align bottom screw holes in hinge and door. Install two bottom screws. Tighten all hinge screws.



7. Close door to engage door strike.

TROUBLESHOOTING

DRYER OPERATION

Dryer will not run

- **Has a household fuse blown, or has a circuit breaker tripped?**

There may be two household fuses or circuit breakers for the dryer. Check that both fuses are intact and tight, or that both circuit breakers have not tripped. Replace the fuse or reset the circuit breaker. If the problem continues, call an electrician.

- **Is the correct power supply available?**

Electric dryers require a 240-volt power supply. Check with a qualified electrician.

- **Was a regular fuse used?**

Use a time-delay fuse.

No heat

- **Has a household fuse blown, or has a circuit breaker tripped?**

The drum may be turning, but you may not have heat. Electric dryers use two household fuses or circuit breakers. Replace the fuse or reset the circuit breaker. If the problem continues, call an electrician.

- **Is "Check Vent" illuminated on the Airflow screen?**

This indicator will show the status of airflow through the dryer vent. The Detecting light comes on during the sensing phase at the beginning of a cycle. The Check Vent light will come on if a blocked vent or low airflow issue is detected.

Try the following:

Clean lint screen.

Check to see if the vent run from the dryer to the wall is free of lint and debris.

Confirm the exterior vent exhaust hood is free of lint and debris.

Confirm your vent system falls within the recommended run length and number of elbows for the type of vent you are using. Refer to "Plan Vent System" for details.

Select a Timed Dry heated cycle, and restart the dryer.

For more information on maintaining good airflow, see "Check Your Vent System for Good Airflow" in the "Use and Care Guide". If the message persists, have your entire home venting run cleaned.

Dryer displaying code message

- **"PF" (power failure), check the following:**

Was the drying cycle interrupted by a power failure? Press and hold START/PAUSE to restart the dryer.

Try the following:

Check to see if a household fuse has blown or circuit breaker has tripped. Electric dryers use two household fuses or breakers. Replace the fuse or reset the circuit breaker.

Confirm the power cord is properly installed.

Select a Timed Dry heated cycle, and restart the dryer.

If the message persists, consult a qualified electrician.

- **"F" Variable (F1E1, F2E2, F3E1, F3E2, F7E1, F3E6, F3E7)**

service codes:

Call for service.

DRYER RESULTS

Clothes are not drying satisfactorily, drying times are too long, or load is too hot

- **Is the lint screen clogged with lint?**

Lint screen should be cleaned before each load.

⚠ WARNING



Fire Hazard

Use a heavy metal vent.

Do not use a plastic vent.

Do not use a metal foil vent.

Failure to follow these instructions can result in death or fire.

- **Is the exhaust vent or outside exhaust hood clogged with lint, restricting air movement?**

Run the dryer for 5-10 minutes. Hold your hand under the outside exhaust hood to check air movement. If you do not feel air movement, clean exhaust system of lint or replace exhaust vent with heavy metal or flexible vent. See "Installation Instructions".

- **Are fabric softener sheets blocking the grille?**

Use only one fabric softener sheet, and use it only once.

- **Is the exhaust vent the correct length?**

Check that the exhaust vent is not too long or has too many turns. Long venting will increase drying times. See "Installation Instructions".

- **Is the exhaust vent diameter the correct size?**

Use 4" (102 mm) diameter vent material.

- **Is the dryer located in a room with temperature below 45°F (7°C)?**

Proper operation of dryer cycles requires temperatures above 45°F (7°C).

⚠ WARNING



Explosion Hazard

Keep flammable materials and vapors, such as gasoline, away from dryer.

Place dryer at least 18 inches (460 mm) above the floor for a garage installation.

Failure to do so can result in death, explosion, or fire.

- **Is the dryer located in a closet?**

Closet doors must have ventilation openings at the top and bottom of the door. The front of the dryer requires a minimum of 1" (25 mm) of airspace, and, for most installations, the rear of the dryer requires 5" (127 mm). See "Installation Instructions".

SÉCURITÉ DE LA SÈCHEUSE

Votre sécurité et celle des autres est très importante.

Nous donnons de nombreux messages de sécurité importants dans ce manuel et sur votre appareil ménager. Assurez-vous de toujours lire tous les messages de sécurité et de vous y conformer.



Voici le symbole d'alerte de sécurité.

Ce symbole d'alerte de sécurité vous signale les dangers potentiels de décès et de blessures graves à vous et à d'autres.

Tous les messages de sécurité suivront le symbole d'alerte de sécurité et le mot "DANGER" ou "AVERTISSEMENT". Ces mots signifient :

 **DANGER**

Risque possible de décès ou de blessure grave si vous ne suivez pas immédiatement les instructions.

 **AVERTISSEMENT**

Risque possible de décès ou de blessure grave si vous ne suivez pas les instructions.

Tous les messages de sécurité vous diront quel est le danger potentiel et vous disent comment réduire le risque de blessure et ce qui peut se produire en cas de non-respect des instructions.



AVERTISSEMENT - "Risque d'incendie"

- L'installation de la sècheuse à linge doit être effectuée par un installateur qualifié.
- Installer la sècheuse conformément aux instructions du fabricant et aux codes locaux.
- Ne pas installer de sècheuse à linge avec des matériaux d'évacuation en plastique souple ou un conduit métallique souple (de type papier d'aluminium). Si un conduit métallique souple est installé, celui-ci doit être d'un type spécifique identifié par le fabricant de l'appareil et convenir à une utilisation avec les sècheuses à linge. Les matériaux d'évacuation souples sont connus pour s'affaisser, être facilement écrasés et bloquer la charpie. Ces situations obstrueront le débit d'air de la sècheuse à linge et augmenteront le risque d'incendie.
- Pour réduire le risque de blessure grave ou de décès, suivre toutes les instructions d'installation.
- Conserver ces instructions.

Pour mettre l'ancienne sècheuse au rebut ou pour la remiser, enlever la porte.

AVERTISSEMENT : Pour votre sécurité, les renseignements dans ce manuel doivent être observés pour réduire au minimum les risques d'incendie ou d'explosion ou pour éviter des dommages au produit, des blessures ou un décès.

- Ne pas entreposer ou utiliser de l'essence ou d'autres vapeurs ou liquides inflammables à proximité de cet appareil ou de tout autre appareil électroménager.
- **QUE FAIRE DANS LE CAS D'UNE ODEUR DE GAZ :**
 - Ne pas tenter d'allumer un appareil.
 - Ne pas toucher à un commutateur électrique; ne pas utiliser le téléphone se trouvant sur les lieux.
 - Évacuer tous les gens de la pièce, de l'édifice ou du quartier.
 - Appeler immédiatement le fournisseur de gaz d'un téléphone voisin. Suivre ses instructions.
 - À défaut de joindre votre fournisseur de gaz, appeler les pompiers.
- L'installation et l'entretien doivent être effectués par un installateur qualifié, une agence de service ou le fournisseur de gaz.

AVERTISSEMENT : L'odorat ne permet pas toujours la détection d'une fuite de gaz.

Les distributeurs de gaz recommandent l'emploi d'un détecteur de gaz (homologation UL ou CSA).

Pour d'autre information, contacter le fournisseur de gaz local.

En cas de détection d'une fuite de gaz, exécuter les instructions "Que faire dans le cas d'une odeur de gaz".

IMPORTANT : L'installation du gaz doit se conformer aux codes locaux, ou en l'absence de codes locaux, au code canadien d'installation B149.1 du gaz naturel ou du propane.

La sècheuse doit être électriquement reliée à la terre conformément aux codes locaux, ou en l'absence de codes locaux, au Code canadien de l'électricité, CSA C22.1.

Dans l'État du Massachusetts, les instructions d'installation suivantes sont applicables :

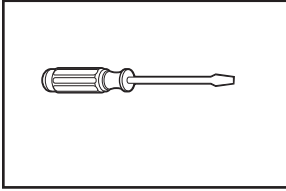
- Les travaux d'installation et réparation doivent être exécutés par un plombier ou tuyauteur qualifié ou licencié, ou par le personnel qualifié d'une entreprise licenciée par l'État du Massachusetts.
- Si une vanne à boisseau sphérique est utilisée, elle doit comporter une manette "T".
- Si un conduit de raccordement flexible est utilisé, sa longueur ne doit pas dépasser 3 pi.

EXIGENCES D'INSTALLATION

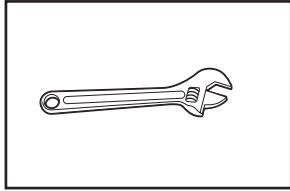
OUTILLAGE ET PIÈCES

Rassembler les outils et composants nécessaires avant d'entreprendre l'installation. Lire et observer les instructions fournies avec chacun des outils de la liste ci-dessous.

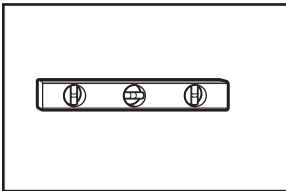
Outils nécessaires à toutes les installations :



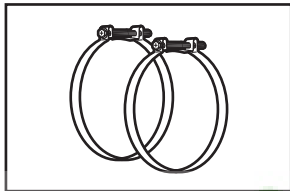
Tournevis à lame plate



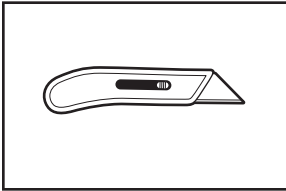
Clé à molette avec ouverture jusqu'à 1" (25 mm) ou clé à douille hexagonale



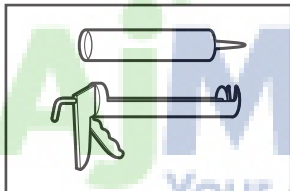
Niveau



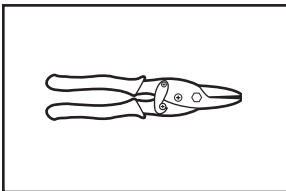
Brides de conduit



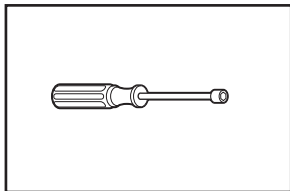
Couteau utilitaire



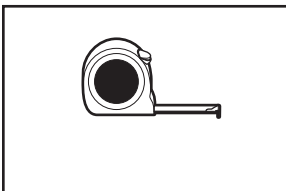
Pistolet à calfeutrage et composé de calfeutrage (pour l'installation d'un nouveau conduit d'évacuation)



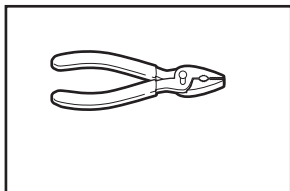
Cisaille de ferblantier (pour l'installation d'un nouveau conduit)



Tourne-écrou de 1/4" (6 mm) (recommandé)

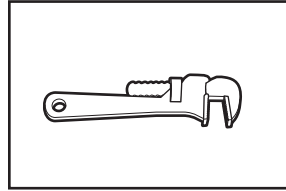


Mètre-ruban

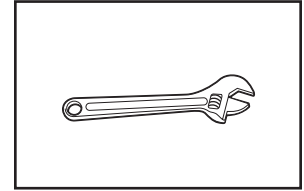


Pince

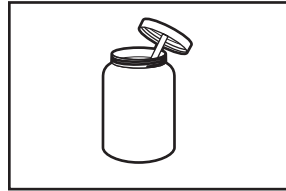
Outils nécessaires pour les installations à gaz :



Clé à tuyau de 8" (203 mm) ou 10" (254 mm)

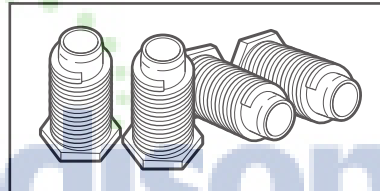


Clé à mollette de 8" (203 mm) ou 10" (254 mm) (pour le raccordement au gaz)



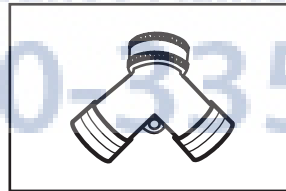
Composé d'étanchéité des raccords filetés – résistant au gaz propane

Pièces fournies (tous les modèles) :

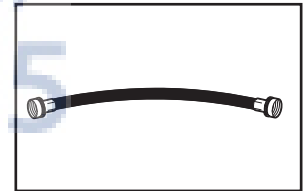


Pieds de nivellement (4)

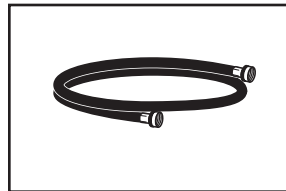
Pièces fournies (modèles à vapeur) :



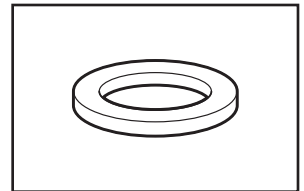
Raccord en "Y"



Tuyau d'alimentation de 2' (0,6 m)



Tuyau d'alimentation de 5' (1,5 m)



Rondelle en caoutchouc

Retirer le sachet de pièces du tambour de la sècheuse. Vérifier que toutes les pièces sont présentes.

Pièces nécessaires : (Non fourni avec la sècheuse)
Consulter les codes locaux. Vérifier l'alimentation électrique et le circuit d'évacuation existants. Voir "Installations électriques" et "Exigences concernant l'évacuation" avant d'acheter les pièces.

Les installations pour maison mobile nécessitent un système d'évacuation en métal disponible chez le revendeur auprès duquel vous avez acheté votre sècheuse. Pour plus d'informations, voir la section "Assistance ou service" dans le "Guide d'utilisation et d'entretien".

Matériel facultatif : (Non fourni avec la sècheuse)

Consulter le "Guide d'utilisation et d'entretien" pour plus d'informations sur les accessoires disponibles qui conviennent à votre sècheuse.

EXIGENCES D'EMPLACEMENT

⚠ AVERTISSEMENT



Risque d'explosion

Garder les matières et les vapeurs inflammables, telle que l'essence, loin de la sècheuse.

Placer la sècheuse au moins 460 mm (18 po) au-dessus du plancher pour une installation dans un garage.

Le non-respect de ces instructions peut causer un décès, une explosion ou un incendie.

Il vous faudra :

- Un emplacement permettant une évacuation appropriée. Voir "Exigences concernant l'évacuation".
- Un circuit distinct de 15 ou 20 A est requis pour les sècheuses à gaz et un circuit distinct de 30 A est requis pour les sècheuses électriques.
- Si on utilise un cordon d'alimentation, une prise électrique reliée à la terre située à 2 pi (61 cm) maximum d'un des côtés de la sècheuse. Voir "Spécifications électriques".
- Le plancher doit pouvoir soutenir le poids de la sècheuse de 200 lb (90,7 kg). Tenir également compte du poids des appareils voisins.
- Un plancher de niveau avec une pente maximale de 1" (25 mm) sous l'ensemble de la sècheuse. Si l'inclinaison est supérieure à 1" 25 mm, installer l'ensemble de pieds d'extension de la sècheuse, pièce no 279810. Si la sècheuse n'est pas de niveau, le linge peut ne pas culbuter convenablement et les programmes de détection automatiques peuvent ne pas fonctionner correctement.
- For garage installation, place dryer at least 18" (460 mm) above floor. If using a pedestal, you will need 18" (460 mm) to bottom of dryer.
- Modèles vapeur uniquement : Des robinets d'eau froide situés à 4 pi (1,2 m) maximum des valves de remplissage, et une pression d'eau de 20 à 100 psi (137,9 à 689,6 kPa). On peut utiliser l'alimentation en eau de la laveuse à l'aide du raccord en "Y" fourni.

Ne pas faire fonctionner la sècheuse à des températures inférieures à 45°F (7°C). À des températures inférieures, la sècheuse risque de ne pas s'arrêter à la fin d'un programme de détection automatique. Ceci peut prolonger la durée du séchage.

La sècheuse ne doit pas être installée ou remisee dans un endroit où elle sera exposée à l'eau et/ou aux intempéries.

Vérifier les spécifications des codes. Certains codes limitent ou n'autorisent pas l'installation des sècheuses dans un garage, un placard, une maison mobile ou une chambre à coucher. Communiquer avec l'inspecteur des bâtiments local.

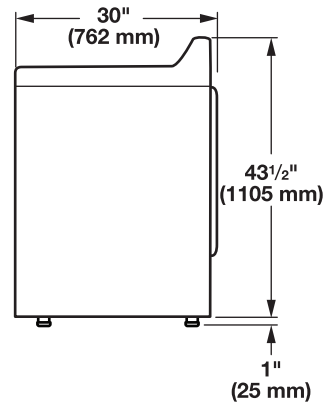
REMARQUE : Aucun autre appareil consommant un combustible ne doit être installé dans le même placard.

DISTANCES DE DÉGAGEMENT À RESPECTER POUR L'INSTALLATION

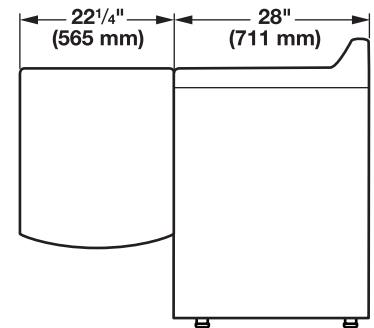
L'emplacement doit être assez grand pour permettre d'ouvrir complètement la porte de la sècheuse.

DIMENSIONS DE LA SÈCHEUSE

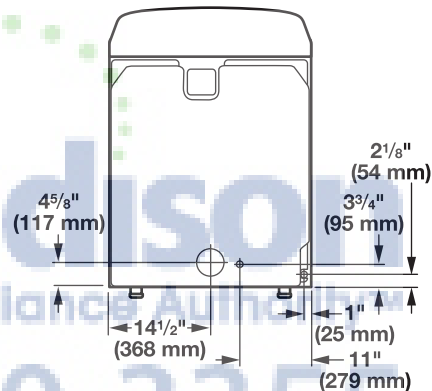
Sècheuse avec partie arrière prolongée :



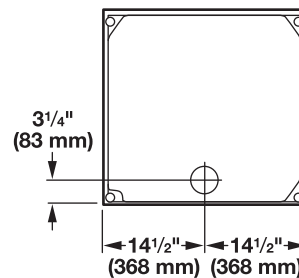
Sècheuse avec partie arrière plate :



Back view:



Bottom view:

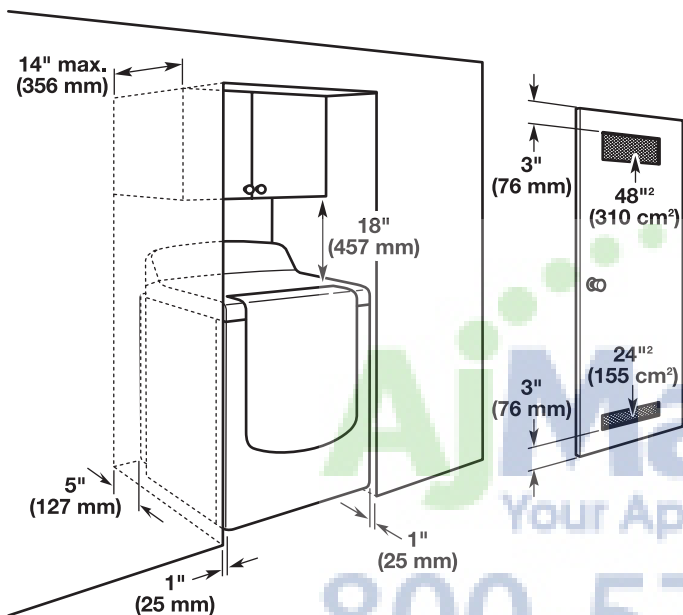


REMARQUE : La plupart des installations requièrent un espace minimum de 5" (127 mm) derrière la sècheuse pour le conduit d'évacuation avec coude. Voir "Exigences concernant l'évacuation".

Espacement pour une installation dans un encastrement ou dans un placard

Toutes les dimensions indiquent le dégagement autorisé, avec un dégagement testé de 0" (0 mm) de chaque côté et à l'arrière.

- Prévoir davantage d'espace pour faciliter l'installation et l'entretien.
- Un espace supplémentaire peut être requis pour les moulures de porte et de plancher et pour les plinthes.
- Un espace supplémentaire doit être envisagé de tous les côtés de la sècheuse afin de réduire le transfert de bruit.
- Pour installation dans un placard avec porte, on doit prévoir des ouvertures minimums d'entrée d'air en haut et en bas de la porte. Des portes à claire-voie offrant des ouvertures équivalentes de passage de l'air sont acceptables.
- Il faut aussi prendre en compte l'espace requis entre les appareils voisins.



Installation dans une résidence mobile – Exigences supplémentaires :

Cette sècheuse peut être installée dans une résidence mobile. L'installation doit se conformer aux critères de la Manufactured Home Construction and Safety Standard, Titre 24 CFR, partie 3280 (anciennement Federal Standard for Mobile Home Construction and Safety, Titre 24 HUD, partie 280) ou de la Norme CAN/CSA-Z240MH.

Autres critères à respecter pour une installation en résidence mobile :

Toutes les sècheuses :

- Un système d'évacuation en métal est disponible à l'achat chez votre revendeur. Pour plus d'informations, voir la section "Assistance ou service" dans le "Guide d'utilisation et d'entretien".
- Il faut prendre des dispositions spéciales dans les résidences mobiles pour l'apport d'air de l'extérieur dans la sècheuse. Les ouvertures (telle qu'une fenêtre à proximité) devraient être au moins deux fois plus grandes que l'ouverture de décharge de la sècheuse.

Pour les installations en résidence mobile avec sècheuse à gaz :

- Il est possible de commander un ensemble d'ancrage au sol pour installation en résidence mobile, pièce numéro 346764. Pour plus d'informations, voir la section "Assistance ou service" dans le "Guide d'utilisation et d'entretien".

RACCORDEMENT DE LA SÈCHEUSE ÉLECTRIQUE - CANADA UNIQUEMENT

SPECIFICATIONS ÉLECTRIQUES

⚠ AVERTISSEMENT



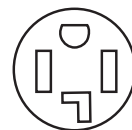
Risque de choc électrique

Brancher sur une prise à 4 alvéoles reliée à la terre.

Le non-respect de cette instruction peut causer un décès ou un choc électrique.

C'est à l'utilisateur qu'incombe la responsabilité de :

- Contacter un électricien qualifié.
- S'assurer que le raccordement électrique est adéquat et conforme à la dernière édition du Canadian Electrical Code, C22.1, et à tous les codes et règlements locaux en vigueur. Pour obtenir un exemplaire des normes des codes ci-dessus, contacter : Canadian Standards Association, 178 Rexdale Blvd., Toronto, ON M9W 1R3 CANADA.
- L'appareil doit être alimenté uniquement par un circuit monophasé de 120/240 V, CA uniquement, 60 Hz à 4 fils, sur un circuit séparé de 30 ampères, protégé par fusible aux deux extrémités de la ligne. On recommande d'utiliser un fusible ou un disjoncteur temporisé. On recommande également que cet appareil soit alimenté par un circuit indépendant.
- Cette sècheuse est équipée d'un cordon électrique homologué par la CSA International à introduire dans une prise murale standard 14-30R. Le cordon mesure 5 pi (1,52 m). Veiller à ce que la prise murale se trouve à proximité de l'emplacement définitif de la sècheuse.



Prise murale à 4 fils (14-30R)

En cas d'utilisation d'un cordon de rechange, il est recommandé d'utiliser le cordon d'alimentation de rechange – pièce numéro 9831317.

Pour plus d'informations, consulter les numéros de dépannage dans la section "Assistance ou service" du "Guide d'utilisation et d'entretien".

INSTRUCTIONS DE LIAISON À LA TERRE

- Pour une sècheuse reliée à la terre et connectée par un cordon :

Cette sècheuse doit être reliée à la terre. En cas de mauvais fonctionnement ou de panne, la liaison à la terre réduira le risque de choc électrique en offrant au courant électrique un acheminement d'évacuation de moindre résistance. Cette sècheuse est alimentée par un cordon électrique comportant un conducteur relié à la terre et une fiche de branchement munie d'une broche de liaison à la terre. La fiche doit être branchée sur une prise appropriée qui est bien installée et reliée à la terre conformément à tous les codes et règlements locaux.

AVERTISSEMENT : Le raccordement incorrect de cet appareil au conducteur de liaison à la terre peut susciter un risque de choc électrique. En cas de doute quant à la qualité de liaison à la terre de la sècheuse, consulter un électricien ou un technicien ou un personnel qualifié. Ne pas modifier la fiche de branchement fournie avec la sècheuse; si la fiche ne correspond pas à la configuration de la prise de courant, demander à un électricien qualifié d'installer une prise de courant appropriée.

CONSERVEZ CES INSTRUCTIONS

INSTRUCTIONS DE LIAISON À LA TERRE

- Pour une sècheuse reliée à la terre et connectée par un cordon :

Cette sècheuse doit être reliée à la terre. En cas de mauvais fonctionnement ou de panne, la liaison à la terre réduira le risque de choc électrique en offrant au courant électrique un acheminement d'évacuation de moindre résistance. Cette sècheuse est alimentée par un cordon électrique comportant un conducteur relié à la terre et une fiche de branchement munie d'une broche de liaison à la terre. La fiche doit être branchée sur une prise appropriée qui est bien installée et reliée à la terre conformément à tous les codes et règlements locaux.

AVERTISSEMENT : Le raccordement incorrect de cet appareil au conducteur de liaison à la terre peut susciter un risque de choc électrique. En cas de doute quant à la qualité de liaison à la terre de la sècheuse, consulter un électricien ou un technicien ou un personnel qualifié. Ne pas modifier la fiche de branchement fournie avec la sècheuse; si la fiche ne correspond pas à la configuration de la prise de courant, demander à un électricien qualifié d'installer une prise de courant appropriée.

CONSERVEZ CES INSTRUCTIONS

RACCORDEMENT ÉLECTRIQUE DE LA SÈCHEUSE À GAZ SPÉCIFICATIONS ÉLECTRIQUES

⚠ WARNING



Electrical Shock Hazard

Plug into a grounded 3 prong outlet.

Do not remove ground prong.

Do not use an adapter.

Do not use an extension cord.

Failure to follow these instructions can result in death, fire, or electrical shock.

- Une source d'alimentation de 120 V, 60 Hz, CA uniquement, de 15 ou 20 ampères et protégée par fusible est nécessaire. On recommande d'utiliser un fusible ou un disjoncteur temporisé. Il est également recommandé de raccorder l'appareil sur un circuit distinct exclusif à cet appareil.

SPÉCIFICATIONS DE L'ALIMENTATION EN GAZ

⚠ AVERTISSEMENT



Risque d'explosion

Utiliser une canalisation neuve d'arrivée de gaz approuvée par CSA International.

Installer un robinet d'arrêt.

Bien serrer chaque organe de connexion de la canalisation de gaz.

En cas de connexion au gaz propane, demander à une personne qualifiée de s'assurer que la pression de gaz ne dépasse pas 330 mm (13 po) de la colonne d'eau.

Par personne qualifiée, on comprend :

le personnel autorisé de chauffage,
le personnel autorisé d'une compagnie de gaz, et
le personnel d'entretien autorisé.

Le non-respect de ces instructions peut causer un décès, un explosion ou un incendie.

TYPE DE GAZ

Gaz naturel :

Cette sècheuse est équipée pour une alimentation au gaz naturel. Sa conception est homologuée par CSA International pour l'alimentation au gaz de pétrole liquéfié (propane ou butane), avec conversion appropriée.

- Cette sècheuse doit être équipée du brûleur convenable, correspondant au gaz spécifique qui alimente l'habitation. L'information sur le brûleur se trouve sur la plaque signalétique dans le logement de la porte de la sècheuse. Si ces renseignements ne correspondent pas au type de gaz disponible, contacter votre revendeur ou composer les numéros de téléphone indiqués dans la section "Assistance ou service" de votre "Guide d'utilisation et d'entretien".

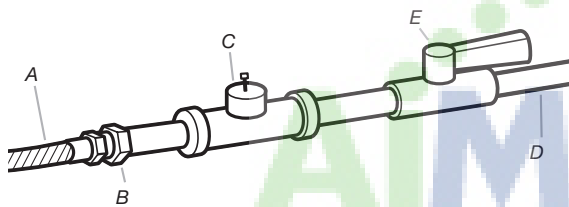
Conversion pour l'alimentation au propane :

IMPORTANT : Un technicien qualifié doit effectuer la conversion.

Ne pas entreprendre de convertir la sècheuse dans le cas d'une utilisation avec un gaz différent de celui indiqué sur la plaque signalétique sans d'abord consulter la compagnie de gaz.

CANALISATION DE GAZ

- La canalisation doit comprendre un connecteur obturé (filetage NPT de 1/8" ou plus) accessible pour le raccordement de l'instrument de mesure immédiatement en amont de la connexion d'alimentation en gaz de la sècheuse.



- A. Raccord flexible de gaz de 3/8"
- B. Adaptateur entre le conduit et le joint conique de 3/8"
- C. Connecteur obturé (filetage NPT de 1/8" ou plus)
- D. Canalisation d'alimentation en gaz (filetage NPT de 1/2")
- E. Robinet d'arrêt du gaz

- On recommande un tuyau IPS de 1/2".
- Pour les longueurs inférieures à 20 pi (6,1 m), on peut utiliser des tuyaux approuvés en aluminium ou en cuivre de 3/8" dans la mesure où les codes locaux et le fournisseur de gaz l'autorisent.
- Pour le gaz naturel, ne pas utiliser de conduits en cuivre.
- Pour les longueurs supérieures à 20 pi (6,1 m), on peut utiliser des tuyaux plus gros et un adaptateur de calibre différent.
- Si la sècheuse a été convertie pour une utilisation au propane, on peut utiliser un tuyau en cuivre pour propane compatible de 3/8". Si la longueur totale de la canalisation d'alimentation en gaz est supérieure à 20 pi (6,1 m), utiliser un conduit de taille supérieure.

REMARQUE : On doit utiliser un composé d'étanchéité des tuyauteries résistant à l'action du gaz propane. Ne pas utiliser de ruban adhésif TEFLON®†.

- Robinet d'arrêt nécessaire.

Aux États-Unis :

Un robinet d'arrêt individuel manuel doit être installé à six (6) pieds (1,8 m) maximum de la sècheuse conformément au Code National d'alimentation au gaz, ANSI Z223.1. L'emplacement doit être facile à atteindre pour ouvrir et fermer la sècheuse.

Au Canada :

Un robinet d'arrêt individuel doit être installé conformément au Code B149.1 relatif à l'installation du gaz naturel et du propane. Il est recommandé d'installer un robinet d'arrêt individuel manuel à six (6) pieds (1,8 m) maximum de la sècheuse. L'emplacement doit être facilement accessible pour les manœuvres d'ouverture et de fermeture.

SPÉCIFICATIONS DU RACCORDEMENT DE L'ALIMENTATION EN GAZ

- Utiliser un coude et un adaptateur NPT de 3/8" x 3/8" entre le raccord de gaz flexible et la conduite de gaz de la sècheuse, tel que nécessaire pour éviter le pincement.
- Utiliser uniquement un composé d'étanchéité des tuyauteries. Ne pas utiliser de ruban adhésif TEFLON®†.
- On doit raccorder la sècheuse à la conduite d'alimentation en gaz à l'aide d'un raccord de gaz flexible homologué qui respecte les normes applicables aux raccords utilisés avec des appareils ménagers à gaz, ANSI Z21.24 ou CSA 6.10.

SPÉCIFICATIONS DE L'ALIMENTATION DU BRÛLEUR

Altitudes supérieures à 10 000 pieds (3 048 m) :

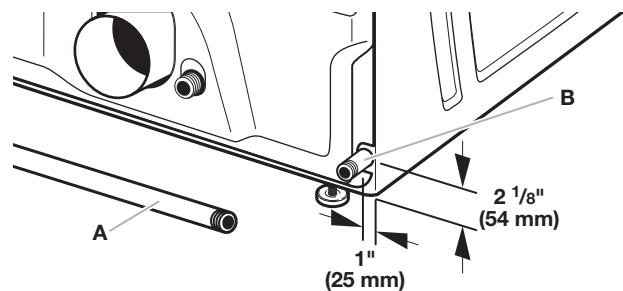
- Si la sècheuse doit être utilisée à une altitude supérieure à 10 000 pi (3 048 m), on doit réduire le débit thermique du brûleur indiqué sur la plaque signalétique de 4% pour chaque tranche de 1 000 pi (305 m) d'augmentation de l'altitude.

Épreuve sous pression de l'alimentation en gaz

- La sècheuse doit être déconnectée du système de canalisations d'alimentation en gaz lors de tout test de pression à des pressions plus élevées que 1/2 lb/po².

CANALISATION DE GAZ DE LA SÈCHEUSE

- La canalisation d'arrivée de gaz sortant depuis l'arrière de la sècheuse est dotée d'un filetage mâle de 3/8".



- A. Canalisation d'alimentation en gaz (filetage NPT de 1/2")
- B. Conduit NPT de la sècheuse de 3/8"

REMARQUE : Si la sècheuse est montée sur un piédestal, prévoir 10" (254 mm) ou 15,5" (394 mm) de plus à partir du sol pour la hauteur de la canalisation d'arrivée de gaz, en fonction du modèle de piédestal. Pour une installation dans un garage, prévoir 18" (460 mm) de plus à partir du sol pour la hauteur de la canalisation d'arrivée de gaz.

†® Teflon est une marque déposée de E.I. Du Pont De Nemours et Compagnie.

INSTALLATION DES PIEDS DE NIVELLEMENT

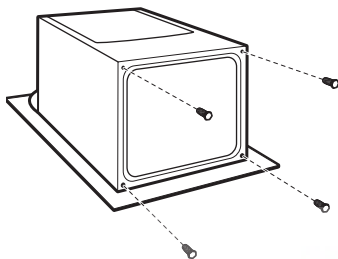
⚠ AVERTISSEMENT

Risque du poids excessif

Utiliser deux ou plus de personnes pour déplacer et installer la sècheuse.

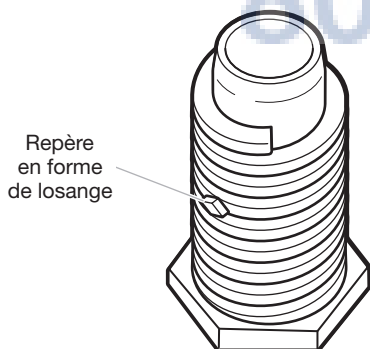
Le non-respect de cette instruction peut causer une blessure au dos ou d'autre blessure.

1. Préparer la sècheuse pour les pieds de nivellement



Afin d'éviter d'endommager le plancher, utiliser un grand morceau de carton plat extrait de la boîte d'emballage de la sècheuse et le placer sous toute la partie arrière de la sècheuse. Saisir fermement le corps de la sècheuse (et non pas le panneau de la console) puis reposer la sècheuse sur le carton avec précaution.

2. Visser les pieds de nivellement



Examiner les pieds de nivellement pour trouver le repère en forme de losange. Visser manuellement les pieds dans les trous pour pieds de nivellement et utiliser une clé pour terminer le vissage, jusqu'à ce que le repère en forme de losange ne soit plus visible.

À présent, redresser la sècheuse et la placer sur ses pieds. Faire glisser la sècheuse jusqu'à ce qu'elle se trouve à proximité de son emplacement final. Laisser suffisamment d'espace pour pouvoir réaliser le raccordement électrique et raccorder le conduit d'évacuation.

L'ÉVACUATION

EXIGENCES CONCERNANT L'ÉVACUATION

⚠ AVERTISSEMENT



Risque d'incendie

Utiliser un conduit d'évacuation en métal lourd.

Ne pas utiliser un conduit d'évacuation en plastique.

Ne pas utiliser un conduit d'évacuation en feuille de métal.

Le non-respect de ces instructions peut causer un décès ou un incendie.

AVERTISSEMENT : Pour réduire le risque d'incendie, ce sèche-linge doit EVACUER L'AIR A L'EXTERIEUR.

IMPORTANT : Respecter les dispositions de tous les codes et règlements en vigueur. Le conduit d'évacuation de la sècheuse ne doit pas être raccordé à une évacuation de gaz, une cheminée, un mur, un plafond, un grenier, un vide sanitaire ou un vide de construction. Seul un conduit d'évacuation métallique rigide ou souple doit être utilisé pour le système d'évacuation.



Conduit d'évacuation métallique robuste de 4 pouces (102 mm)

- On peut utiliser un conduit d'évacuation métallique robuste de 4 pouces (102 mm).
- Ne pas utiliser de conduit de plastique ou de métal très mince.

Conduit métallique rigide :

- Recommandé pour une performance de séchage idéale afin d'éviter tout écrasement ou déformation.

Conduit métallique flexible : (Acceptable uniquement si son accès reste facile pour le nettoyage)

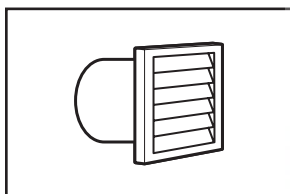
- Doit être entièrement déployé et soutenu à l'emplacement d'installation final de la sècheuse.
- Enlever tout excès de conduit flexible pour éviter tout affaissement et déformation susceptible de réduire la capacité d'évacuation et le rendement.
- Ne pas installer le conduit métallique flexible dans des cavités fermées de mur, plafonds ou planchers.
- La longueur totale ne doit pas dépasser 7 ³/₄ pi (2.4 m).

REMARQUE : Lors de l'utilisation d'un système d'évacuation existant, nettoyer et éliminer la charpie sur toute la longueur du système, et veiller à ce que le clapet d'évacuation ne soit pas obstrué par de la charpie. Remplacer tout conduit de plastique ou en aluminium par un conduit métallique rigide ou souple. Consulter à nouveau le tableau des systèmes d'évacuations et modifier le système d'évacuation existant au besoin pour obtenir un meilleur séchage.

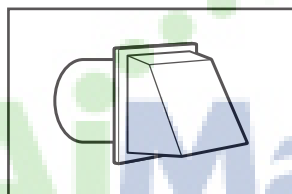
Clapets d'évacuation :

- Doit se trouver à au moins 12" (305 mm) du plancher ou de tout objet susceptible d'obstruer l'ouverture d'évacuation (tels des fleurs, des pierres, des buissons ou de la neige).

Styles recommandés :

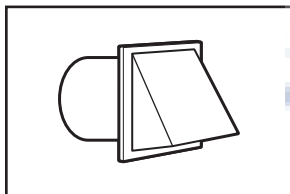


Clapet à persiennes



Clapet de type boîte

Style acceptable :

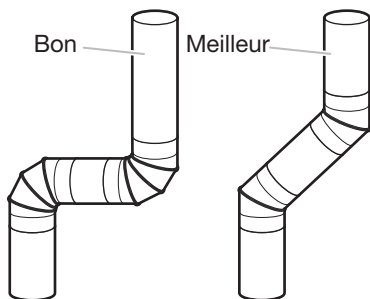


Clapet incliné

Coudes :

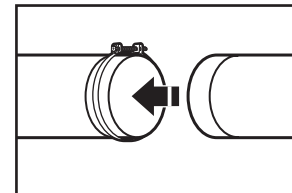
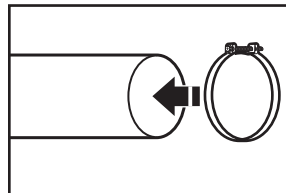
- Les coudes à 45° permettent une meilleure circulation de l'air que les coudes à 90°.

Styles recommandés :



Brides de serrage :

- Utiliser des brides pour sceller tous les joints.
- Le conduit d'évacuation ne doit pas être raccordé ou fixé avec des vis ou tout autre dispositif de serrage qui se prolongerait à l'intérieur du conduit et retiendrait la charpie. Ne pas utiliser de ruban adhésif pour conduit.



Une mauvaise évacuation de l'air peut causer de l'humidité et une accumulation de charpie à l'intérieur de la maison, ce qui peut provoquer :

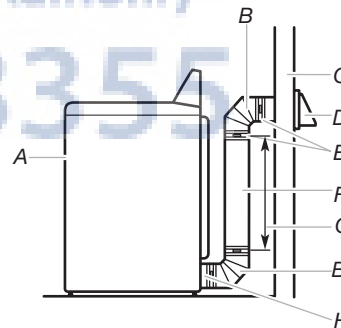
- Dommages par l'humidité aux boiseries, meubles, peinture, papier-peint, tapis, etc.
- Problèmes de nettoyage dans la maison et problèmes de santé.

Le matériel d'évacuation peut être acheté auprès de votre revendeur. Pour plus d'informations, voir la section "Assistance ou service" du "Guide d'utilisation et d'entretien".

PLANIFICATION DU SYSTÈME D'ÉVACUATION

Installations d'évacuation recommandées

Les installations typiques consistent à acheminer le conduit d'évacuation à l'arrière de la sècheuse. D'autres installations sont possibles.



- A. Sècheuse
- B. Raccord coudé
- C. Mur
- D. Clapet d'évacuation
- E. Brides
- F. Conduit d'évacuation métallique rigide ou souple
- G. Longueur de conduit d'évacuation nécessaire pour le raccordement des coudes
- H. Bouche de décharge

Installations d'évacuation facultatives :

⚠ AVERTISSEMENT



Risque d'incendie

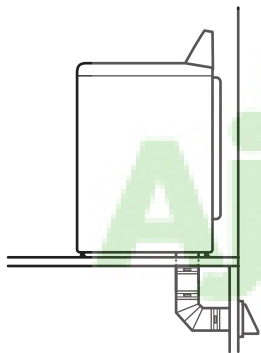
Utiliser un conduit d'évacuation en métal lourd.

Ne pas utiliser un conduit d'évacuation en plastique.

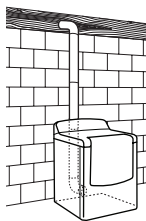
Ne pas utiliser un conduit d'évacuation en feuille de métal.

Le non-respect de ces instructions peut causer un décès ou un incendie.

- Trousse d'obturation pour évacuation (pour couvrir les trous d'évacuation inutilisés) : Pièce numéro W10186596 — Tous les modèles
- Trousse d'évacuation par le bas — Pièce numéro 8212503

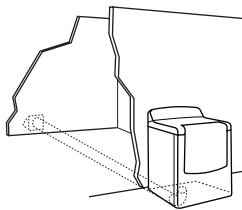


Si vous préférez, la sècheuse peut être convertie pour évacuer par le bas. Contactez votre revendeur local pour convertir la sècheuse.



A

A. Installation avec acheminement standard du conduit d'évacuation par l'arrière

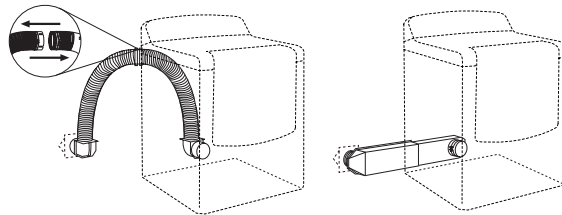


B

B. Installation avec évacuation par le bas

Autres installations avec dégagement réduit

Il existe de nombreux systèmes d'évacuation. Choisir le système qui convient le mieux à votre installation. Deux installations à dégagement réduit sont illustrées. Voir les instructions du fabricant.



A

B

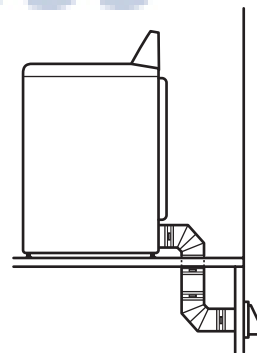
- A. Installation au-dessus de la sècheuse (également disponible avec un coude décalé)
- B. Installation de périscope

REMARQUE : On peut acheter les trousse suivantes pour les installations où le dégagement est réduit. Contacter votre marchand local.

- Installation au-dessus de la sècheuse : Pièce numéro 4396028
- Installation avec périscope (Pour utilisation en cas de non-concordance de la bouche de décharge de la sècheuse avec la bouche d'évacuation murale) :
Pièce numéro 4396037 — Non-concordance de 0" (0 mm) à 18" (460 mm)
Pièce numéro 4396011 — Non-concordance de 18" (460 mm) à 29" (737 mm)
Pièce numéro 4396014 — Non-concordance de 29" (737 mm) à 50" (1270 mm)

Dispositions spéciales pour les installations en résidence mobile :

Le système d'évacuation doit être solidement fixé à une section non combustible de la structure de la résidence mobile et ne doit pas se terminer en dessous de la résidence mobile. Acheminer le conduit d'évacuation vers l'extérieur.



Installation du système d'évacuation en résidence mobile

Déterminer l'itinéraire d'acheminement du conduit :

- Choisir l'itinéraire d'acheminement vers l'extérieur qui sera le plus direct et le plus rectiligne.
- Planifier l'installation de façon à introduire un nombre minimal de coudes et de changements de direction.
- Si des coudes ou changements de direction sont utilisés, prévoir autant d'espace que possible.
- Plier le conduit graduellement pour éviter de le déformer.
- Utiliser le moins possible de changements de direction à 90°.

Déterminer la longueur du conduit et le nombre de coudes nécessaires pour une performance optimale de séchage.

- Utiliser le tableau des systèmes d'évacuation suivant pour déterminer le type de matériel d'évacuation et les combinaisons de hotte acceptables.

REMARQUE : Ne pas utiliser de conduits de longueur supérieure à la valeur spécifiée dans le tableau des systèmes d'évacuation. Si la longueur du circuit est supérieure à la valeur spécifiée dans le tableau, on observera :

- Un cycle de vie réduit de la sècheuse.
- Une réduction du rendement, avec temps de séchage plus longs et une plus grande consommation d'énergie.

Le tableau des systèmes d'évacuation fournit les spécifications d'évacuation qui vous aideront à obtenir une performance de séchage idéale.

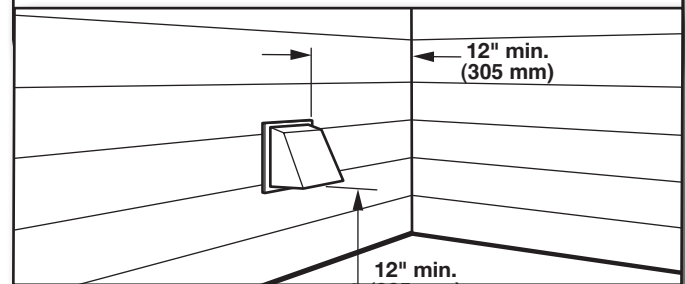
Tableau des systèmes d'évacuation Whirlpool			
Nombre de coudes à 90°	Type de conduit d'évacuation	Clapets d'évacuation de type boîte ou à persiennes	Clapets d'évacuation inclinés
0	Métallique rigide	64 pi (20 m)	58 pi (17,7 m)
1	Métallique rigide	54 pi (16,5 m)	48 pi (14,6 m)
2	Métallique rigide	44 pi (13,4 m)	38 pi (11,6 m)
3	Métallique rigide	35 pi (10,7 m)	29 pi (8,8 m)
4	Métallique rigide	27 pi (8,2 m)	21 pi (6,4 m)

Tableau des systèmes d'évacuation Maytag			
Nombre de coudes à 90°	Type de conduit d'évacuation	Clapets d'évacuation de type boîte ou à persiennes	Clapets d'évacuation inclinés
0	Métallique rigide	100 pi (30,5 m)	94 pi (28,7 m)
1	Métallique rigide	90 pi (27,4 m)	84 pi (25,6 m)
2	Métallique rigide	80 pi (24,4 m)	74 pi (22,6 m)
3	Métallique rigide	71 pi (21,6 m)	65 pi (19,8 m)
4	Métallique rigide	63 pi (19,2 m)	57 pi (17,4 m)

REMARQUE : Les installations d'évacuation par le bas comportent un changement de direction à 90° à l'intérieur de la sècheuse. Pour établir la longueur maximale du conduit, ajouter un changement de direction à 90° au tableau.

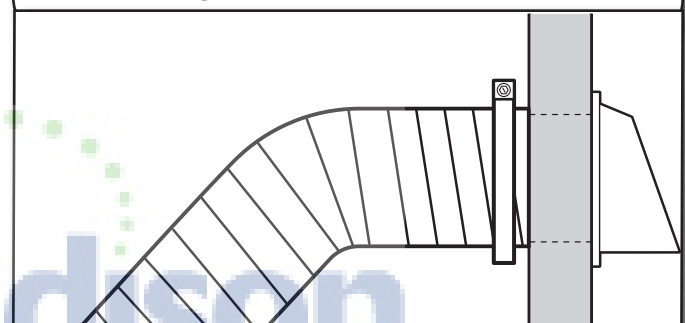
INSTALLATION DU SYSTÈME D'ÉVACUATION

1. Installer le clapet d'évacuation



Lors de l'installation du clapet d'évacuation, calfeutrer le côté extérieur de l'ouverture murale autour du clapet d'évacuation.

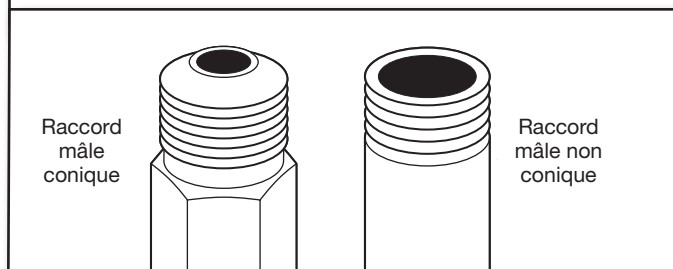
2. Raccorder le conduit d'évacuation au clapet



Le conduit doit être inséré par dessus le clapet d'évacuation. Fixer ensemble le conduit et le clapet avec une bride de 4" (102 mm). Acheminer le conduit jusqu'à l'emplacement de la sècheuse en utilisant le chemin le plus rectiligne possible. Éviter les changements de direction à 90°. Utiliser des brides pour sceller tous les joints. Ne pas utiliser de ruban adhésif pour conduit, de vis ou autres dispositifs de fixation qui se prolongeraient à l'intérieur du conduit pour fixer le conduit d'évacuation; ceux-ci pourraient retenir la charpie.

RACCORDEMENT AU GAZ

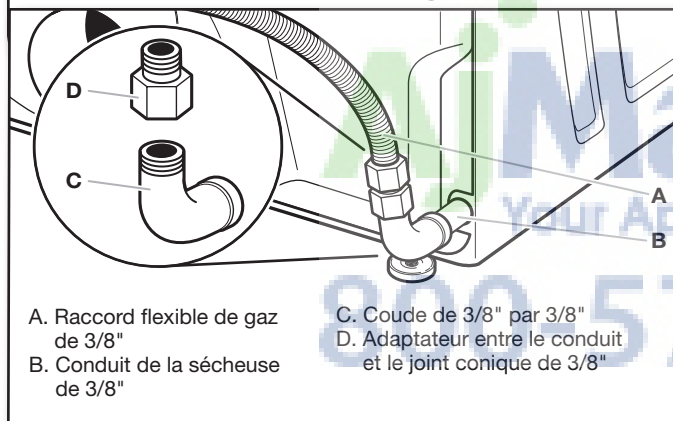
1. Raccorder l'alimentation en gaz à la sècheuse



Retirer le capuchon rouge de la canalisation de gaz. À l'aide d'une clé pour serrer, raccorder l'alimentation en gaz à la sècheuse. Utiliser un composé d'étanchéité des tuyauteries sur tous les filetages des raccords mâles non coniques. Si on utilise un conduit métallique souple, veiller à ce qu'il ne soit pas pincé.

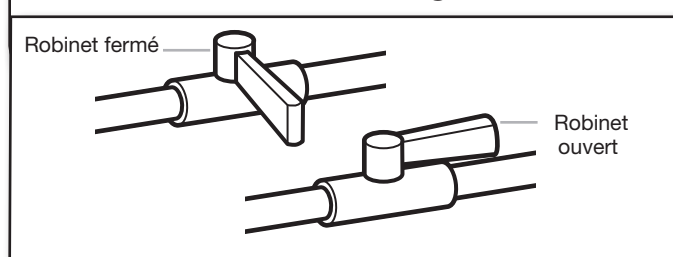
REMARQUE : Pour les raccords au propane, on doit utiliser un composé d'étanchéité résistant à l'action du propane. Ne pas utiliser de ruban adhésif TEFLON®†.

2. Planifier la connexion des raccords de tuyauterie



On doit utiliser une combinaison de raccords de tuyauterie pour raccorder la sècheuse à l'alimentation en gaz existante. L'illustration présente un raccordement recommandé. Le raccordement peut varier selon le type, la taille et l'emplacement de la canalisation d'alimentation.

3. Robinet d'arrêt du gaz ouvert



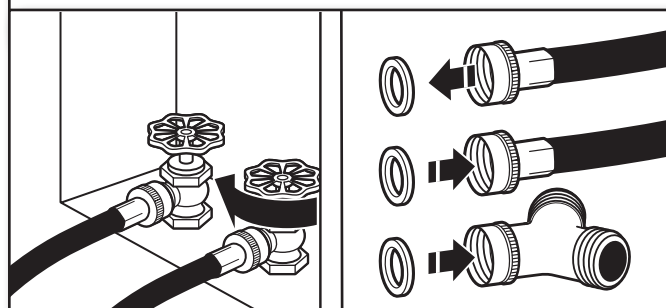
Ouvrir le robinet d'arrêt de la canalisation d'alimentation; le robinet est ouvert lorsque la manette est parallèle à la canalisation de gaz. Vérifier ensuite tous les raccordements en les badigeonnant d'une solution de détection des fuites non corrosive approuvée. L'apparition de bulles indique la présence d'une fuite. Veiller à éliminer toute fuite détectée.

RACCORDEMENT DES TUYAUX D'ALIMENTATION

Pour les modèles fonctionnant sans vapeur, passer à "Raccordement du conduit d'évacuation" à la page 31.

La sècheuse doit être raccordée au robinet d'eau froide à l'aide des tuyaux d'arrivée d'eau neufs. Ne pas utiliser de tuyaux usagés.

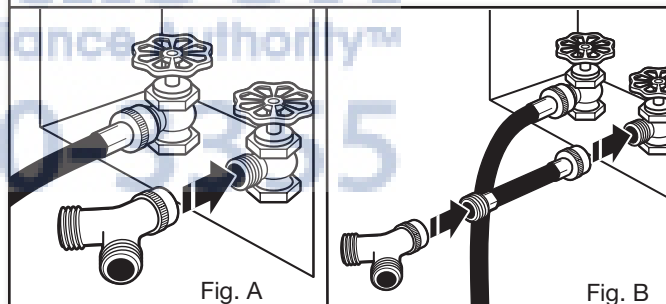
1. Fermer l'eau froide; retirer et remplacer le joint de caoutchouc



Fermer le robinet d'eau froide et ôter le tuyau d'alimentation de la laveuse.

Vérifier que le joint de caoutchouc se trouve dans le raccord en "Y". Retirer l'ancien joint de caoutchouc du tuyau d'arrivée d'eau et le remplacer par le nouveau joint de caoutchouc fourni.

2. Fixer le tuyau court et le raccord en "Y"

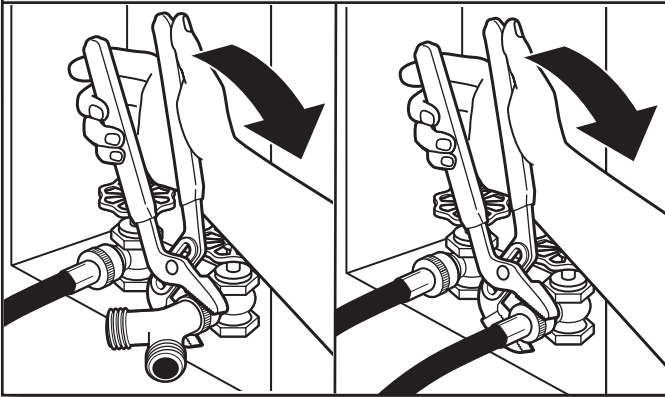


Si l'on a assez d'espace, fixer l'extrémité femelle en laiton du raccord en "Y" au robinet d'eau froide. Voir figure A.

Si le raccord en "Y" ne peut être fixé directement au robinet d'eau froide, on doit utiliser le tuyau court. Voir figure B. Fixer le tuyau court au robinet d'eau froide. Visser le raccord à la main pour qu'il repose sur le robinet. Fixer ensuite le raccord en "Y" à l'extrémité mâle en laiton du tuyau court. Visser le raccord à la main pour qu'il repose sur le raccord.

†Teflon est une marque déposée de E.I. Du Pont De Nemours et Compagnie.

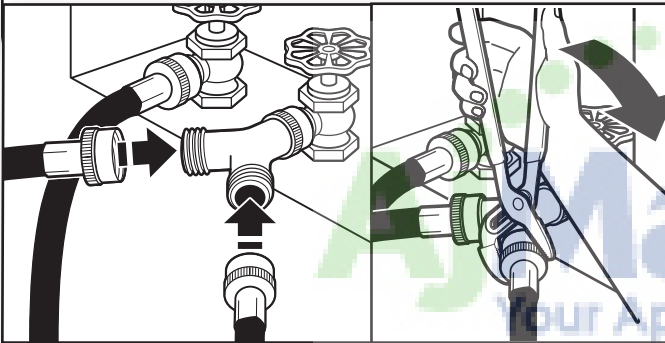
3. Serrer les raccords



Terminer le serrage des raccords de deux tiers de tour supplémentaire avec une pince.

REMARQUE : Ne pas serrer excessivement. Le raccord risque d'être endommagé.

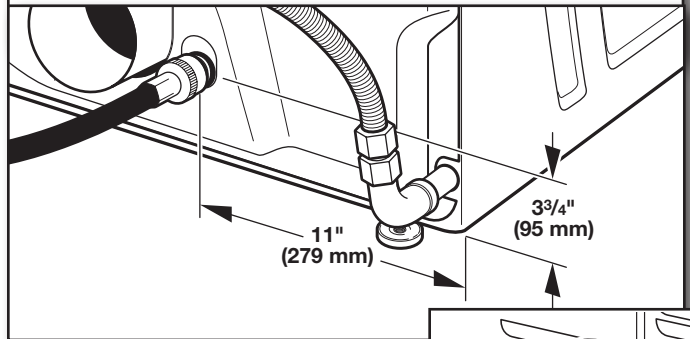
4. Fixer le long tuyau au raccord en "Y" et serrer les raccords



L'une des extrémités du tuyau long comporte un treillis métallique à l'intérieur du raccord. Fixer cette extrémité au raccord en "Y". Fixer le tuyau d'alimentation en eau froide de la laveuse à l'autre extrémité du raccord en "Y". Visser le raccord à la main pour qu'il repose sur le raccord. Terminer le serrage des raccords de deux tiers de tour supplémentaire avec une pince.

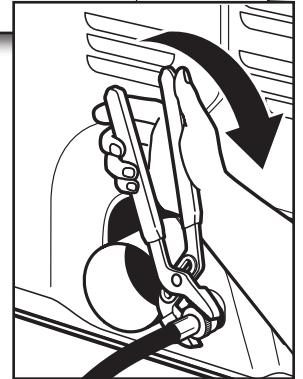
REMARQUE : Ne pas serrer excessivement. Le raccord risque d'être endommagé.

5. Fixer le long tuyau à l'électrovanne de remplissage de la sécheuse et serrer les raccords

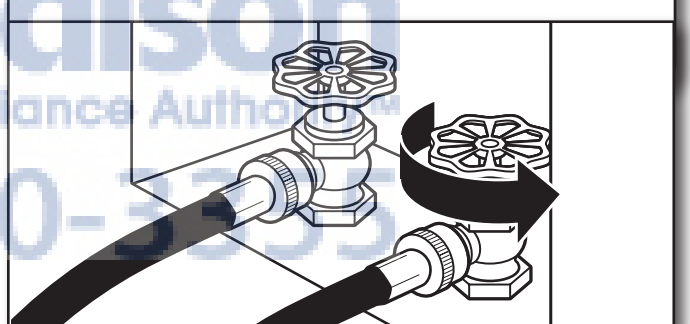


Fixer l'autre extrémité du long tuyau à l'électrovanne située au bas du panneau arrière de la sécheuse. Visser le raccord à la main jusqu'à ce qu'il repose sur le raccord de l'électrovanne. Terminer le serrage des raccords de deux tiers de tour supplémentaire avec une pince.

REMARQUE : Ne pas serrer excessivement. Le raccord risque d'être endommagé.

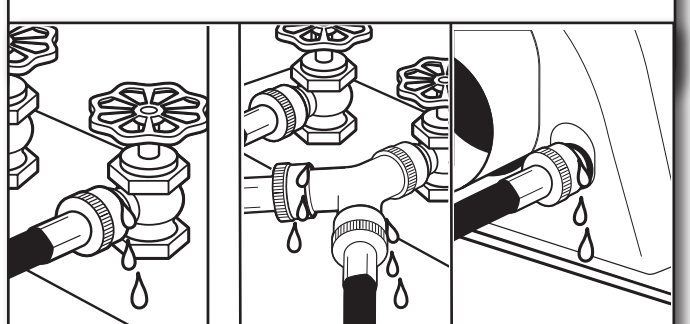


6. Ouvrir le robinet d'eau froide



Vérifier que les robinets d'eau sont ouverts.

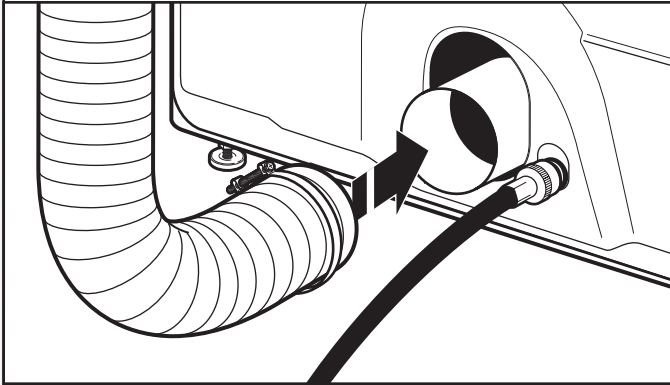
7. Vérifier l'absence de fuites



Vérifier qu'il n'y a pas de fuites autour du raccord en "Y", du robinet et des tuyaux.

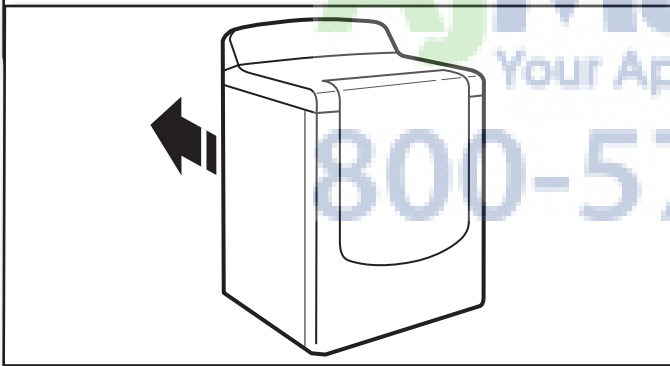
RACCORDEMENT DU CONDUIT D'ÉVACUATION

1. Raccorder le conduit d'évacuation au clapet d'évacuation



À l'aide d'une bride de fixation de 4" (102 mm), relier le conduit d'évacuation à la bouche d'évacuation de la sécheuse. Si l'on réalise le raccordement au conduit d'évacuation existant, s'assurer que celui-ci est propre. Le conduit d'évacuation doit être fixé par-dessus la bouche d'évacuation de la sécheuse et à l'intérieur du clapet d'évacuation. Vérifier que le conduit d'évacuation est bien fixé au clapet d'évacuation au moyen d'une bride de 4" (102 mm).

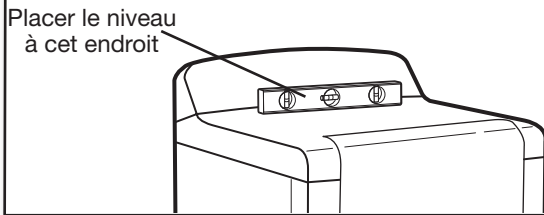
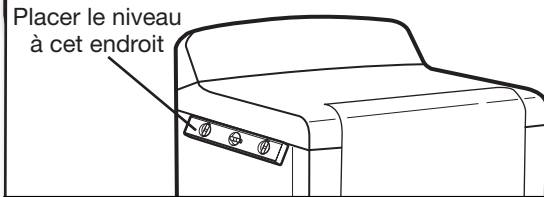
2. Placer la sécheuse à son emplacement final



Placer la sécheuse à son emplacement final. Éviter d'écraser ou de déformer le conduit d'évacuation. Une fois la sécheuse en place, retirer le carton sous la sécheuse.

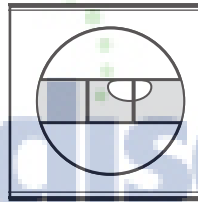
RÉGLAGE DE L'APLOMB DE LA SÉCHEUSE

1. Réglage de l'aplomb de la sécheuse

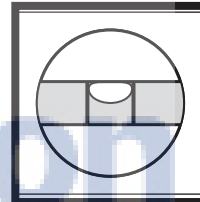


Vérifier l'aplomb de la sécheuse dans le sens transversal. Répéter l'opération dans le sens avant-arrière.

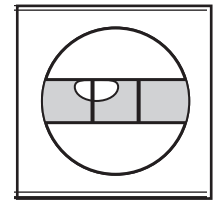
REMARQUE : La sécheuse doit être d'aplomb pour que le système de détection d'humidité fonctionne correctement.



Pas d'aplomb

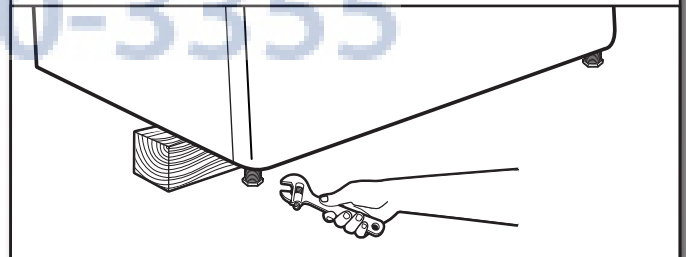


D'APLOMB



Pas d'aplomb

2. Réglage des pieds de nivellement



Si la sécheuse n'est pas d'aplomb, la soulever à l'aide d'une cale en bois à l'aide d'une clé pour ajuster les pieds vers le haut ou vers le bas et contrôler de nouveau l'aplomb. Une fois que les pieds de nivellement sont d'aplomb, s'assurer que les quatre pieds sont en contact ferme avec le plancher.

LISTE DE VÉRIFICATION POUR INSTALLATION TERMINÉE

- Vérifier que toutes les pièces sont maintenant installées. S'il reste une pièce, passer en revue les différentes étapes pour découvrir laquelle aurait été oubliée.
- Vérifier la présence de tous les outils.
- Éliminer/recycler tous les matériaux d'emballage.
- Vérifier que les robinets d'eau sont ouverts.
- Vérifier qu'il n'y a pas de fuites autour du raccord en "Y", du robinet et des tuyaux.
- Vérifier l'emplacement définitif de la sècheuse. S'assurer que le conduit d'évacuation n'est pas écrasé ou déformé.
- Vérifier que la sècheuse est d'aplomb. Voir "Réglage de l'aplomb de la sècheuse".
- Ôter la pellicule protectrice de la console et tout ruban adhésif resté sur la laveuse.
- Essuyer soigneusement l'intérieur du tambour de la sècheuse avec un chiffon humide pour éliminer toute trace de poussière.
- Lire la section "Utilisation de la sècheuse" dans le "Guide d'utilisation et d'entretien".
- Si l'on réside dans une région où l'eau est dure, l'emploi d'un adoucisseur d'eau est recommandé pour contrôler l'accumulation de tartre dans le circuit d'eau de la sècheuse. Avec le temps, l'accumulation de tartre peut obstruer différentes parties du circuit d'eau, ce qui réduira la performance du produit. Une accumulation excessive de tartre peut entraîner la nécessité de remplacer ou de réparer certains composants.

Modèles électriques :

- Brancher sur une prise reliée à la terre.

Modèles à gaz :

- S'assurer que l'alimentation en gaz est ouverte.
- Vérifier qu'il n'y a pas de fuites.

Tous les modèles :

- Sélectionner un programme de séchage minuté avec chaleur et mettre la sècheuse en marche. Ne pas sélectionner le réglage de température Air Only (air seulement).

Si la sècheuse ne démarre pas, vérifier ce qui suit :

- Les commandes sont réglées à la position de marche ou sur "ON" (marche).
- Le bouton Start (mise en marche) a été enfoncé fermement.
- La sècheuse est branchée dans une prise reliée à la terre et/ou l'alimentation électrique est connectée.
- Les fusibles du domicile sont intacts et serrés; le disjoncteur n'est pas déclenché.
- La porte de la sècheuse est fermée.

Cette sècheuse démarre automatiquement une procédure de diagnostic au début du premier programme.

REMARQUE : Il est possible que la sècheuse dégage une certaine odeur lorsqu'elle chauffe pour la première fois. Cette odeur est normale lorsque l'élément chauffant est utilisé pour la première fois. L'odeur disparaîtra.

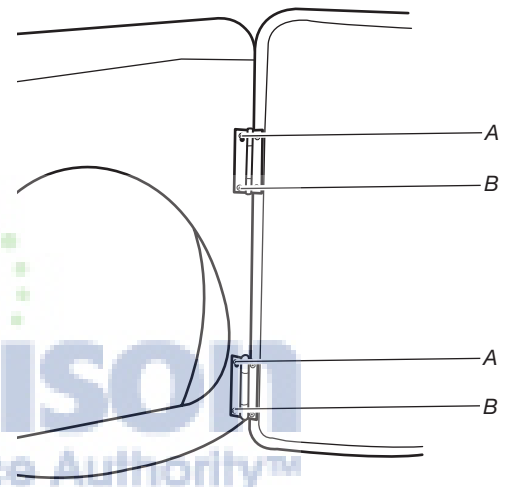
INVERSION DU SENS D'OUVERTURE DE LA PORTE

Le sens d'ouverture de la porte peut être changé du côté droit au côté gauche, si désiré.

1. Placer une serviette ou un chiffon doux sur le dessus de la sècheuse ou du plan de travail pour éviter d'endommager la surface.

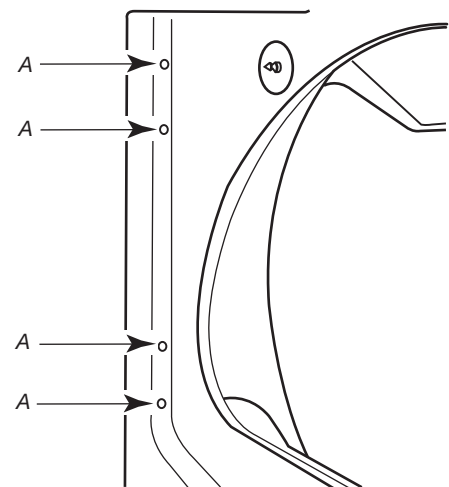
Dépose de la porte

1. Ouvrir la porte de la sècheuse.
2. Retirer la vis inférieure de chacune des deux charnières (B) qui fixent la porte de la sècheuse au panneau avant de la sècheuse.
3. Desserrer la vis supérieure de chacune (A) des deux charnières (B) à l'étape 2.



4. Retirer la porte de la sècheuse et les charnières en les soulevant à la verticale. Poser la porte sur une surface plane protégée, côté intérieur (partie interne de la porte) vers le haut. Retirer les deux vis desserrées qui restent du panneau avant de la sècheuse.

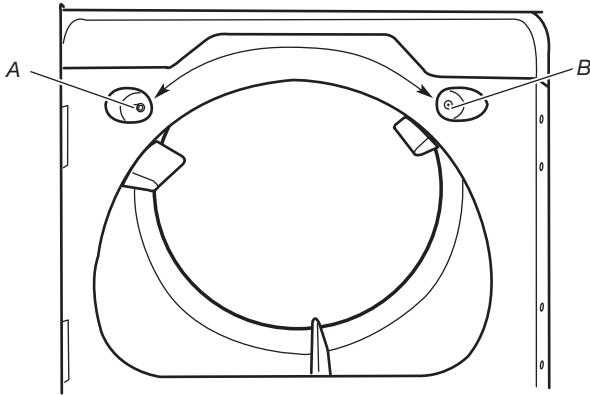
5. Retirer les quatre chevilles de plastique (A) situées à l'extérieur de l'ouverture de la porte.



6. Installer 4 chevilles de plastique (A) dans les trous des vis sur la gauche de la sècheuse, là où les charnières ont été retirées à l'étape 4.

Inversion de la gâche

1. Retirer la gâche de la porte (A) de la sécheuse.
2. Retirer la vis esthétique (B) à l'opposé de la gâche de la porte (A).



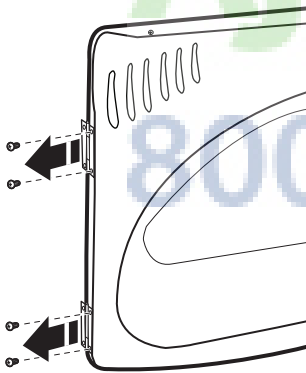
A. Gâche de la porte
B. Vis esthétique

3. Réinstaller la gâche de la porte et la vis esthétique au côté opposé de leur emplacement initial.

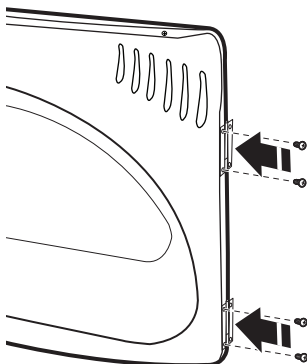
REMARQUE : La gâche de la porte et les chevilles doivent être sur le même côté de l'ouverture de la porte.

Réinstallation de la porte

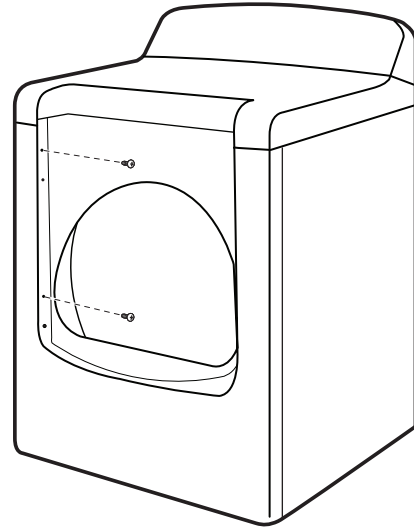
1. Retirer les 4 vis et les deux charnières de la porte de la sécheuse.



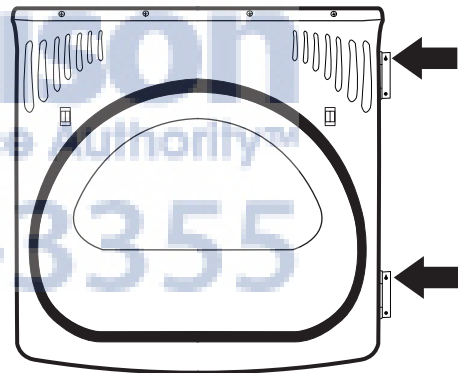
2. Réinstaller les 4 vis dans les mêmes trous.
3. Retirer les quatre vis du côté opposé de la porte.



4. Installer les deux charnières sur le panneau avant de la sécheuse à l'aide de 4 vis. Utiliser le côté sans fente pour fixer la charnière sur le panneau avant.
5. Installer les vis dans les trous supérieurs de la charnière sur la porte. Ne pas serrer les vis. Laisser les vis en retrait d'environ 1/4" (5 mm).



6. Suspender la porte : insérer les têtes de vis dans les trous de fente supérieurs des charnières et glisser la porte vers le bas. Aligner les trous de vis inférieurs de la charnière et de la porte. Fixer deux vis inférieures. Serrer toutes les vis de la charnière.



7. Fermer la porte, vérifier l'engagement de la gâche.

DÉPANNAGE

FONCTIONNEMENT DE LA SÈCHEUSE

La sècheuse ne fonctionne pas

- **Un fusible est-il grillé ou le disjoncteur s'est-il déclenché?**
Vérifier que les deux fusibles sont intacts et bien en place ou que les deux disjoncteurs ne se sont pas déclenchés. Remplacer le fusible ou réarmer le disjoncteur. Si le problème persiste, appeler un électricien.
- **Une alimentation électrique correcte est-elle disponible?**
Les sècheuses électriques nécessitent une alimentation électrique de 240 V. Vérifier avec un électricien qualifié.
- **A-t-on utilisé un fusible ordinaire?**
Utiliser un fusible temporisé.

Aucune chaleur

- **Un fusible est-il grillé ou le disjoncteur s'est-il déclenché?**
Le tambour peut tourner, mais sans chaleur. Les sècheuses électriques utilisent deux fusibles ou disjoncteurs domestiques. Remplacer le fusible ou réarmer le disjoncteur. Si le problème persiste, appeler un électricien.

La sècheuse affiche un message codé

- **“PF” (panne de courant), vérifier ce qui suit :**
Le programme de séchage a-t-il été interrompu par une panne de courant?
Appuyer sans relâcher sur START/PAUSE pour remettre la sècheuse en marche.

Essayer de résoudre le problème de la façon suivante :
Déterminer si un fusible est grillé ou si un disjoncteur s'est déclenché. Les sècheuses électriques utilisent deux fusibles ou disjoncteurs domestiques. Remplacer le fusible ou réarmer le disjoncteur.

S'assurer que le cordon d'alimentation est bien installé.

Sélectionner un programme de séchage avec chaleur minuté et remettre la sècheuse en marche.

Si le message reste affiché, consulter un électricien qualifié.
- **Codes de service variables “F” (F1E1, F2E2, F3E1, F3E2, F7E1, F3E6, F3E7) :**
Appeler pour demander une intervention de dépannage.

RÉSULTATS DE SÉCHAGE

Le séchage des vêtements n'est pas satisfaisant, les durées de séchage sont trop longues ou la charge est trop chaude

- **Le filtre à charpie est-il obstrué de charpie?**
Le filtre à charpie doit être nettoyé avant chaque charge.

⚠ AVERTISSEMENT



Risque d'incendie

Utiliser un conduit d'évacuation en métal lourd.

Ne pas utiliser un conduit d'évacuation en plastique.

Ne pas utiliser un conduit d'évacuation en feuille de métal.

Le non-respect de ces instructions peut causer un décès ou un incendie.

- **Le conduit d'évacuation ou le clapet d'évacuation à l'extérieur est-il obstrué de charpie, restreignant le mouvement de l'air?**
Faire fonctionner la sècheuse pendant 5 à 10 minutes. Tenir la main sous le clapet d'évacuation à l'extérieur pour vérifier le mouvement de l'air. Si aucun mouvement d'air n'est perceptible, ôter la charpie présente dans le système d'évacuation ou remplacer le conduit d'évacuation par un conduit métallique lourd ou flexible. Voir les “Instructions d'installation”.
- **Des feuilles d'assouplissant pour tissu bloquent-elles la grille de sortie?**
Utiliser seulement une feuille d'assouplissant pour tissu par charge et l'utiliser une seule fois.
- **Le conduit d'évacuation a-t-il la longueur appropriée?**
Vérifier que le conduit d'évacuation n'est pas trop long ou ne comporte pas trop de changements de direction. Un long conduit augmentera les durées de séchage. Voir les “Instructions d'installation”.
- **Le diamètre du conduit d'évacuation a-t-il la taille correcte?**
Utiliser un composant de 4" (102 mm) de diamètre.
- **La sècheuse se trouve-t-elle dans une pièce où la température ambiante est inférieure à 45°F (7°C)?**
Pour que les programmes de séchage fonctionnent correctement, la température ambiante doit être supérieure à 45°F (7°C).

AVERTISSEMENT



Risque d'explosion

Garder les matières et les vapeurs inflammables, telle que l'essence, loin de la sècheuse.

Placer la sècheuse au moins 460 mm (18 po) au-dessus du plancher pour une installation dans un garage.

Le non-respect de ces instructions peut causer un décès, une explosion ou un incendie.

■ **La sècheuse est-elle installée dans un placard?**

Les portes du placard doivent comporter des ouvertures d'aération au sommet et en bas de la porte. Un espace minimum de 1" (25 mm) est nécessaire à l'avant de la sècheuse et, pour la plupart des installations, un espace de 5" (127 mm) est nécessaire à l'arrière de la sècheuse. Voir les "Instructions d'installation".





W10392126A
W10392127A-SP

©2011 Whirlpool Corporation
All rights reserved.
Tous droits réservés.

® Registered Trademark/TM Trademark of Whirlpool, U.S.A.,
Whirlpool Canada LP licensee in Canada
® Marque déposée/TM Marque de commerce de Whirlpool, U.S.A.,
Emploi sous licence per Whirlpool Canada LP au Canada
® Registered trademark/TM Trademark of Maytag Properties, LLC or its related companies.
Used under license by Maytag Limited in Canada.
® Marque déposée/TM Marque de commerce de Maytag Properties, LLC
ou de ses compagnies affiliées.
Emploi sous licence par Maytag Limited au Canada.

6/11
Printed in U.S.A.
Imprimé au E.E.U.U.