



# 29" and 27" Wide Model Gas Dryer

## PRODUCT MODEL NUMBERS

**WGD4750X, WGD4800X, WGD4900X, WGD5500X, WGD5550X, WGD5600X, WGD5700X, WGD4850X, WGD4890X, WGD5610X**

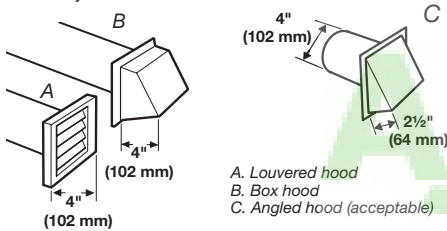
**Gas supply** This dryer is equipped for use with Natural gas. Dryer can be converted to L.P. gas. When rigid pipe is used it should be 1/2" IPS. When acceptable to the gas supplier and local codes, 3/8" approved tubing may be used for lengths under 20 ft (6.1 m). For lengths over 20 ft (6.1 m), larger tubing should be used. Pipe-joint compounds resistant to the action of L.P. gas must be used. An individual manual shutoff valve must be installed within 6 ft (1.8 m) of the dryer in accordance with the National Fuel Gas Code ANSI Z223.1.

**Electrical** A 120-volt, 60 Hz, AC-only, 15 or 20 amp fused electrical supply is required. A time-delay fuse or circuit breaker and a separate circuit are recommended.

**Water (Steam models only)** The dryer must be connected to the cold water faucet using new inlet hoses. Do not use old hoses. Do not overtighten. Damage to the coupling can result.

**Exhaust venting** Exhaust your dryer to the outside. 4" (102 mm) diameter vent is required. Rigid or flexible metal exhaust vent must be used. Do not use plastic or metal foil vet. Exhaust hood must be at least 12" (305 mm) from the ground or any object that may be in the path of the exhaust.

Hood styles: A & B are recommended.



The vent system chart provides venting requirements that will help to achieve the best drying performance.

### Vent system chart:

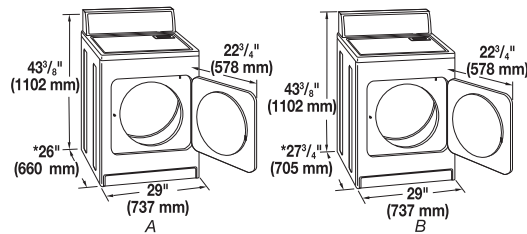
**NOTE:** Side and bottom exhaust installations for 27" have a 90° turn inside the dryer. To determine maximum exhaust length, add one 90° turn to the chart.

| Vent System Chart             |              |                    |                 |
|-------------------------------|--------------|--------------------|-----------------|
| Number of 90° turns or elbows | Type of vent | Box/louvered hoods | Angled hoods    |
| 0                             | Rigid metal  | 64 ft. (20 m)      | 58 ft. (17.7 m) |
| 1                             | Rigid metal  | 54 ft. (16.5 m)    | 48 ft. (14.6 m) |
| 2                             | Rigid metal  | 44 ft. (13.4 m)    | 38 ft. (11.6 m) |
| 3                             | Rigid metal  | 35 ft. (10.7 m)    | 29 ft. (8.8 m)  |
| 4                             | Rigid metal  | 27 ft. (8.2 m)     | 21 ft. (6.4 m)  |

| Vent System Chart<br>(29" Wide Long Vent Models Only) |              |                               |
|---|--------------|-------------------------------|
| Number of 90° turns or elbows                         | Type of vent | Box/louvered, or Angled hoods |
| 0   | Rigid metal  | 120 ft. (36.6 m)              |
| 1   | Rigid metal  | 110 ft. (33.5 m)              |
| 2   | Rigid metal  | 100 ft. (30.5 m)              |
| 3   | Rigid metal  | 90 ft. (27.4 m)               |
| 4   | Rigid metal  | 80 ft. (24.4 m)               |
| 5   | Rigid metal  | 70 ft. (21.3 m)               |

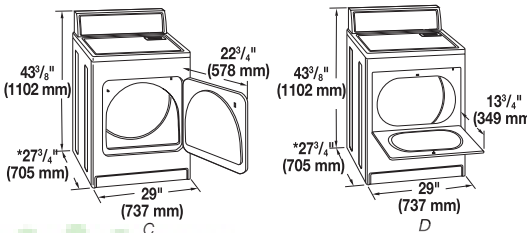
## OVERALL DIMENSIONS

### 29" Wide Model Dryer dimensions

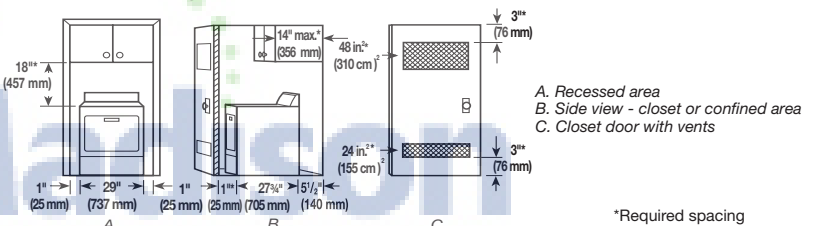


For closet installation, with a door, the minimum ventilation openings in the top and bottom of the door are required. Louvered doors with equivalent air ventilation openings are acceptable.

A. Large opening side-swing door  
B. Large opening side-swing door  
C. Wide opening side-swing door  
D. Wide opening hamper door

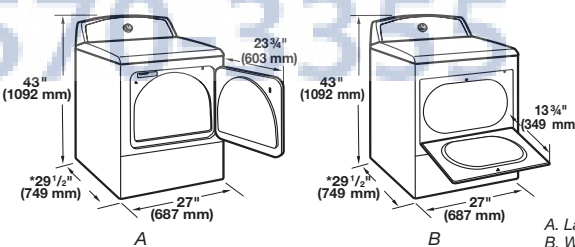


### Installation Spacing



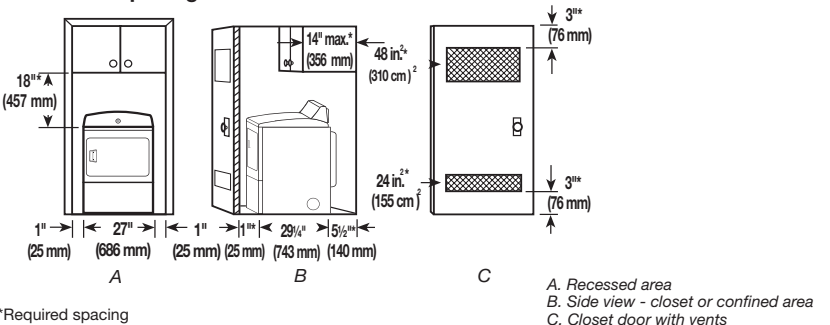
\*Required spacing

### 27" Wide Model Dryer dimensions



A. Large opening side-swing door  
B. Wide opening hamper door

### Installation Spacing



\*Required spacing

Select the route that will provide the straightest and most direct path outdoors. Plan the installation to use the fewest number of elbows and turns. Use the fewest 90° turns possible.

Do not use vent runs longer than specified in vent length chart.

Determine the number of elbows you will need.