



ultraSense® Washer

Features & Benefits

- Specialty Cycles
- Fully Automated Washing
- ENERGY STAR Qualified
- Extra Large Capacity, Extra Large 16" Opening
- German Engineering



Optional 8" Pedestal
WZ20395

SKU WFXD5202UC

Washing Performance

Specialty Cycles	8
Total Cycles	15
Internal Water Heater for Guaranteed Temperatures	•
Automatic Water Level Adjustment (Load Size Sensor)	•
Automatic Detergent Residue Removal (Sudsing Sensor)	•
Wash Water Soil Sensor (Auto Rinse)	•
Automatic Load Balancing	•
Detergent Efficiency System with 3 Dispenser Chambers	•
Spin Speed	1200 rpm

Wash Cycles

Regular/Cotton – Cold, Warm, Hot	•
Permanent Press – Cold, Warm, Hot	•
Delicates	•
Hand Wash	•
Silk/Satin	•
woolCare™	•
Outdoor	•
speedWash™	•
Sanitary 170°	•
darkColor™	•
Rinse and Spin	•
Wash/Rinse Temperatures	6

Optional Settings

Display	LED
Bleach	•
Extra Rinse	•
Heavy Soil	•
Time Delay	19 hr.

Convenience

Capacity (IEC)	4.0 cu. ft.
Door Angle	180°
Door Opening	16"
Safety Door Lock (Add-a-Garment Option)	•
Rust-Proof Stainless Steel Inclined Drum	•
Optional 8" Pedestal with Storage Drawer	•

Efficiency

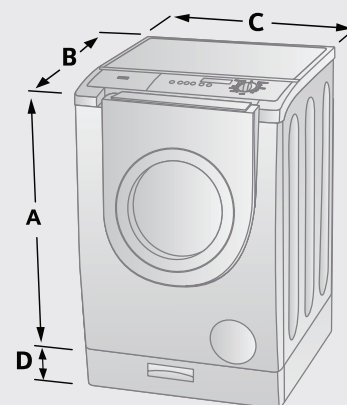
Energy Use	161 kWh/year
Modified Energy Factor (MEF)	2.48
Water Factor (WF)	4.31
Annual Water Consumption (gallons)	5,515
Silence Rating (IEC)	54 dBA

Design

Display	LED
Dial	Chrome
Door Inlay	Chrome
Bull's-Eye Ring	Chrome
Button Color	Chrome
Door Hinged on Left	•
Finish Color	White

Technical

Supply Voltage	120V
Frequency	60Hz
Amperage	15A
Heating	1000W
UL Approved	•



Dimensions

A	36 15/16"
B	31 9/16"
C	27"
D	8"



ultraSense® Washer

The future moving in.

SIEMENS

UL BSH reserves the absolute and unrestricted right to change product materials and specifications, at any time, without notice. Consult the product's installation instructions for final dimensional data and other details. Applicable product warranty can be found in accompanying product literature or you may contact your account manager for further details. Notes: All height, width and depth dimensions are shown in inches. Please refer to installation instructions prior to making cutout.

1-888-4-SIEMENS • In the US: siemens-home.com • In Canada: siemens-home.ca

Copyright ©2007 BSH Home Appliances Corporation. All rights reserved. Specifications subject to change without notice.

61-026-0207
Litho Date: 05/07