

WF45N5300AV

SAMSUNG

Samsung Front-Load Washer

4.5 cu. ft. Capacity DOE



Signature Features

VRT Plus™ Technology

- Reduces vibration 40% more than standard VRT™ for quiet washing.¹

¹Based on Owens Corning sounds power testing.



Smart Care

- Smart Care interacts with your washer and dryer to perform an immediate diagnosis and offer quick solutions.

4.5 cu. ft. Capacity

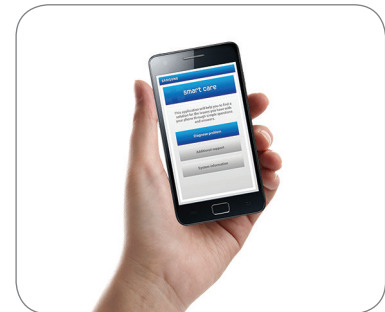
- Fewer washes, less time in the laundry room, and more time for you.

Available Colors

-  Black Stainless Steel (shown)
-  White



VRT Plus™ Technology



Smart Care

Features

- VRT Plus™ Technology
- Smart Care
- 4.5 cu. ft. Capacity
- Self Clean+
- Diamond Drum Design
- 1300 RPM Maximum Spin Speed
- Direct Drive Motor
- 8 Preset Wash Cycles
- 9 Wash Options
- Ice Blue LED Display
- Chrome Door
- 24-Hour Delay Start

Convenience

- Child Lock
- Door Lock
- Dispenser Trays: Main Wash, Softener, Bleach

Rating



ENERGY STAR®-rated
CEE Tier 2
IMEF = 3.00
IWF = 2.90
80 kWh/yr

WF45N5300AV

SAMSUNG

Samsung Front-Load Washer

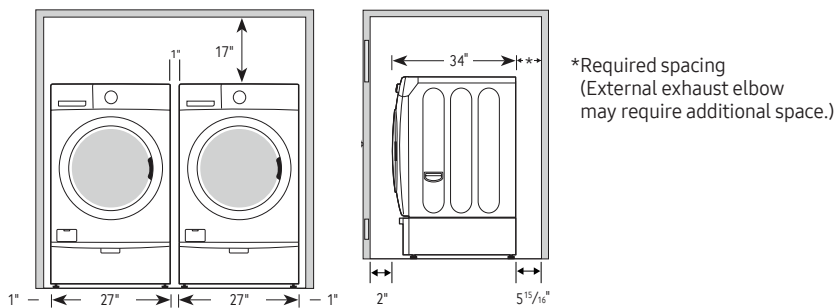
4.5 cu. ft. Capacity DOE

Installation Specifications

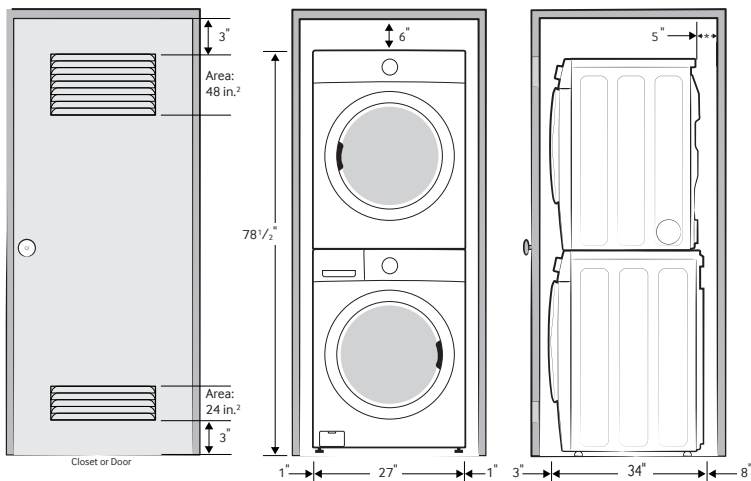
If the washer and dryer are installed together or the dryer alone, the closet front must have two unobstructed air openings for a combined minimum total area of 72-inch² (see stacked build below). Your washer alone does not require a specific air opening.

1. Alcove or closet installation

Minimum Clearance for Closet and Alcove Installations:

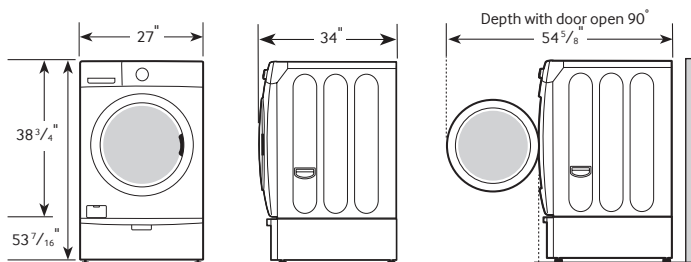


2. With stacked washer and dryer



Dimensions

Required Dimensions for Installation with Pedestal:



8 Preset Wash Cycles:

Normal, Heavy Duty, Permanent Press, Bedding, Delicates, Quick Wash, Active Wear, Rinse and Spin

9 Options:

Self Clean+, Delay End, My Cycle, Extra Rinse, Extra Spin, Sound Off, Spin Only, Child Lock, Smart Care

4 Temperature Settings:

Hot, Warm, Cool, Cold

4 Spin Settings:

High, Medium, Low, No Spin

3 Soil Settings:

Heavy, Normal, Light

Dispenser Trays:

Main Wash, Softener, Bleach

Warranty

One (1) Year Parts and Labor
Three (3) Years Stainless Steel Drum (Part Only)
Ten (10) Years Direct Drive Motor (Part Only)

Product Dimensions & Weight (WxHxD)

Dimensions: 27" x 38³/₄" x 34"

Weight: 218 lbs

Shipping Dimensions & Weight (WxHxD)

Dimensions: 29⁷/₁₆" x 41⁵/₈" x 35¹/₄"

Weight: 225 lbs

Color

Black Stainless Steel

White

Model

WF45N5300AV

WF45N5300AW

UPC Code

887276252421

887276250953

Matching Electric Dryer

Black Stainless Steel

White

DVE45N5300V

DVE45N5300W

887276256160

887276256177

Matching Gas Dryer

Black Stainless Steel

White

DVG45N5300V

DVG45N5300W

887276256191

887276256207