



# Electric Dryer

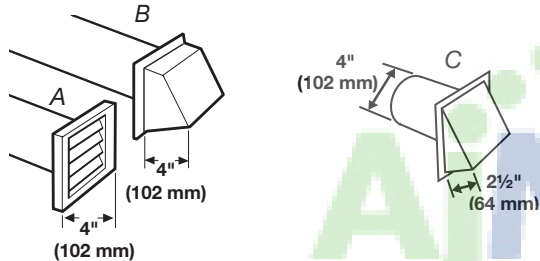
## PRODUCT MODEL NUMBERS

WED6200S, WED6400S, WED6600V,  
WED6600W, WED7300X, WED7400X,  
WED7600X, WED7800X

**Electrical:** This dryer requires a 3 or 4 wire, single phase, 120/240 volt, 60 Hz., AC only electrical supply (or 3 or 4 wire, 120/208 volt electrical supply, if specified on the serial/rating plate) on a separate 30-amp circuit, fused on both sides of the line. A time-delay fuse or circuit breaker is recommended. Connect to an individual branch circuit. Do not have a fuse in the neutral or grounding circuit.

**Exhaust venting:** Exhaust your dryer to the outside. 4" (102 mm) diameter vent is required. Rigid or flexible metal exhaust vent must be used. Do not use plastic or metal foil vent. Exhaust hood must be at least 12" (305 mm) from the ground or any object that may be in the path of the exhaust.

### Exhaust hood styles:



*Recommended styles:*  
A. Louvered hood  
B. Box hood

*Acceptable styles:*  
C. Angled hood

### Vent System Chart:

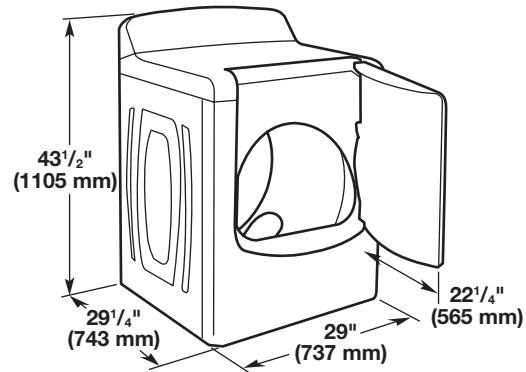
Number 90° elbows	Type of vent	Box /louvered hoods	Angled hoods
0	Rigid metal	64 ft. (20 m)	58ft. (17.7 m)
1	Rigid metal	54 ft. (16.5 m)	48 ft. (14.6 m)
2	Rigid metal	44 ft. (13.4 m)	38 ft. (11.6 m)
3	Rigid metal	35 ft. (10.7 m)	29 ft. (8.8 m)
4	Rigid metal	27 ft. (8.2 m)	21 ft. (6.4 m)

**NOTE:** Side and bottom exhaust installations have a 90° turn inside the dryer. To determine maximum exhaust length, add one 90° turn to the chart.

Select the route that will provide the straightest and most direct path outdoors. Plan the installation to use the fewest number of elbows and turns. Use the fewest 90° turns possible. Do not use vent runs longer than specified in vent length chart. Determine the number of elbows you will need.

## OVERALL DIMENSIONS

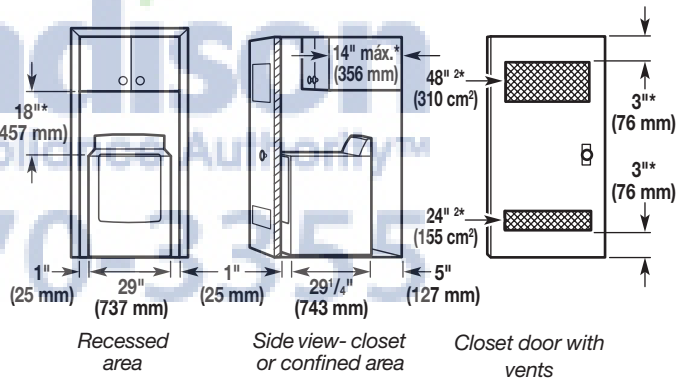
### Dryer dimensions



**NOTE:** Most installations require minimum 5" (127 mm) clearance for exhaust vent with elbow. See "Venting Requirements."

### Minimum required spacing

For cabinet installation, with a door, the minimum ventilation openings in the top are required.



\*Required spacing

For closet installation, with a door, the minimum ventilation openings in the top and bottom of the door are required. Louvered doors with equivalent air ventilation openings are acceptable.