

# Whirlpool® Undercounter Dishwasher

## PRODUCT MODEL NUMBERS

WDF510PAY	WDT710PAY
WDF530PAY	WDT770PAY
WDF530PLY	WDT790SAY
WDF530PSY	WDT790SLY
WDF730PAY	WDT910SAY
WDF750PAY	WDT910SSY
WDF780SLY	

**Electrical Requirements:** 120-volt, 60-Hz, AC-only, 15- or 20-amp fused electrical supply. Copper wire only. A time-delay fuse or circuit breaker and separate circuit is recommended.

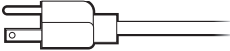
**If direct wiring dishwasher:** Use flexible, armored or nonmetallic, sheathed copper wire with grounding wire that meets the wiring requirements for your home and local codes and ordinances.



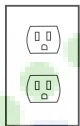
Use a UL Listed or CSA Approved strain relief.

**If connecting dishwasher with a power supply cord:**

Use Power Supply Cord Kit (Part Number 4317824) marked for use with dishwashers. Follow the kit instructions for installing the power supply cord.



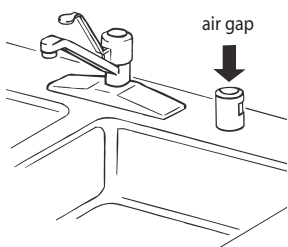
Power supply cord must plug into a grounded three-prong, outlet, located in the cabinet next to the dishwasher opening. Outlet must meet all local codes and ordinances.



**Water Supply Requirements:** A hot water line with 20 to 120 psi (138 to 862 kPa) water pressure. Water temperature must be 120°F (49°C) water at dishwasher. Use 3/8" O.D. copper tubing with compression fitting or flexible braided water supply line (Part Number 4396897RP) (1/2' minimum plastic tubing is not recommended). Use a 90° elbow with 3/4" hose connection with rubber washer. Do not solder within 6" (15.2 cm) of the water inlet valve.

**Drain Requirements:** A new drain hose is supplied with your dishwasher. If this is not long enough, use a new drain hose with a maximum length of 12' (3.7 m) (Part Number 3385556) that meets all current AHAM/IAPMO test standards, is resistant to heat and detergent, and fits the 1" (2.5 cm) drain connector of the dishwasher.

Make sure to connect the drain hose to waste tee or disposer inlet above drain trap in house plumbing and 20" (50.8 cm) minimum above the floor. It is recommended that the drain hose either be looped up and securely fastened to the underside of the counter, or be connected to an air gap.



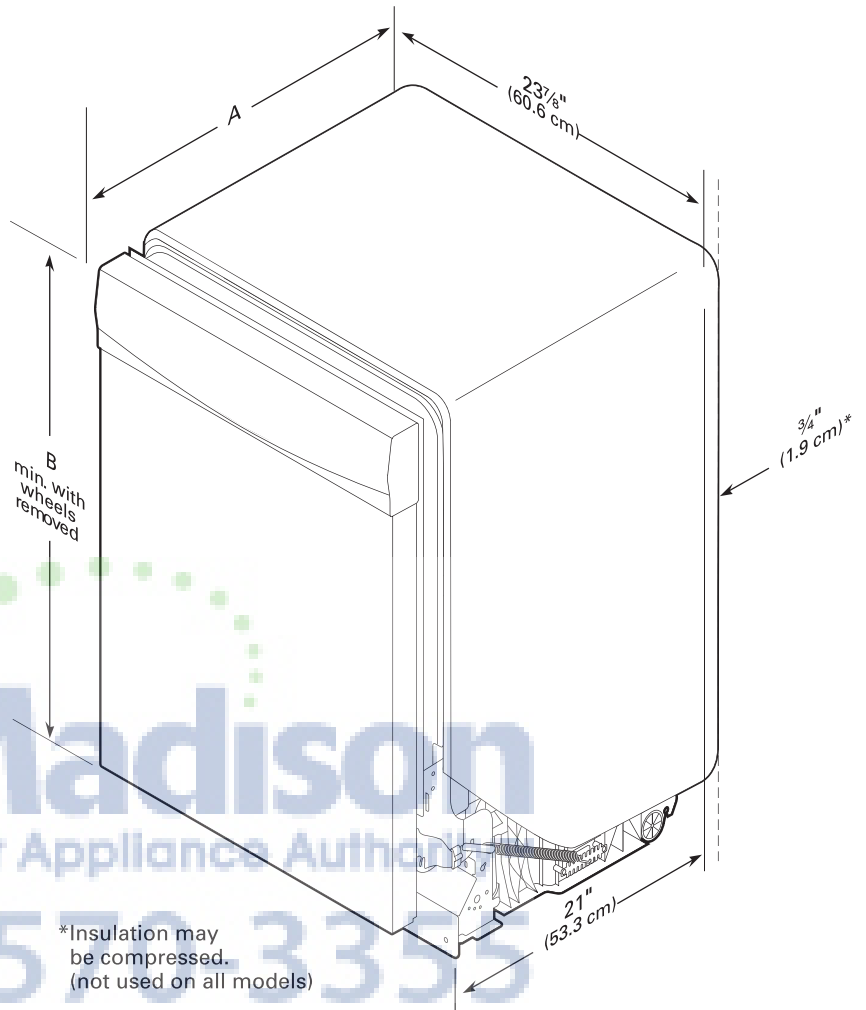
Make sure to use an air gap if the drain hose is connected to house plumbing lower than 20" (50.8 cm) above subfloor or floor.

Use 1/2" (1.3 cm) minimum I.D. drain line fittings.

If required, the air gap should be installed in

accordance with the air gap installation instructions. When connecting the air gap a rubber hose (not provided) will be needed to connect to the waste tee or disposer unit.

## PRODUCT DIMENSIONS



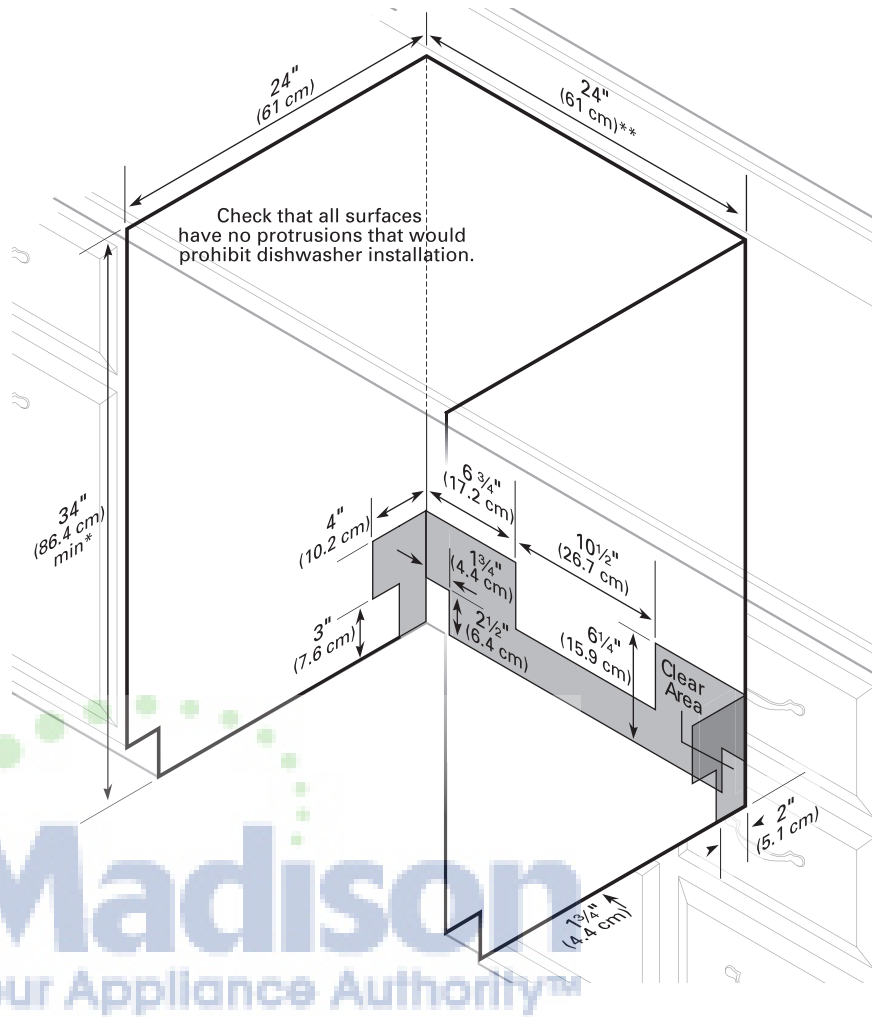
	A Depth	B Height
Stainless steel tub models	24 7/8" (63.2 cm)	33 1/2" (85.1 cm)
Plastic tub models	25 1/4" (64.1 cm)	33 7/8" (86 cm)

## CABINET CUTOUT DIMENSIONS

**NOTE:** Shaded areas of cabinet walls show where utility connections may be installed.

\* Measured from the lowest point on the underside of countertop. May be reduced to 33½" (85.1 cm) for stainless steel tub models or 33⅞" (86 cm) for plastic tub models by removing wheels from dishwasher.

\*\* Minimum, measured from narrowest point of opening.



**AjMadison**  
Your Appliance Authority™  
800-570-3355