

# INSTALLATION MANUAL

For THERMADOR PROFESSIONAL® and  
MASTERPIECE® Convection Warming Drawers

# MANUEL D'INSTALLATION

Pour THERMADOR PROFESSIONAL® et  
MASTERPIECE® Convection Tiroir réchaud

# MANUAL DE INSTALACIÓN

Para cajones calentadores de convección  
PROFESSIONAL® y MASTERPIECE® de THERMADOR

**AJMadison**  
Your Appliance Authority™

800-570-3355

**Models/  
Modèles/  
Modelos:**

WDC30J  
WDC36J  
WDC30JS  
WDC30JP  
WDC36JP

**Thermador** ™  
REAL INNOVATIONS FOR REAL COOKS™

---

# Table of Contents

<b>Safety</b> .....	<b>1</b>
<b>Installation</b> .....	<b>2</b>
Before you Begin .....	2
Tools and Parts Needed .....	2
Parts Included .....	2
<b>General Information</b> .....	<b>2</b>
Warming Drawer 30" Specifications & Dimensions .....	3
Warming Drawer 36" Specifications & Dimensions .....	5
Custom Drawer Front Attachment (optional) .....	7
<b>Installation Procedure</b> .....	<b>9</b>
<b>Installer Final Check List</b> .....	<b>11</b>
Service .....	11
Data Rating Label .....	11
<b>To Clean &amp; Protect Exterior Surfaces</b> .....	<b>12</b>

This THERMADOR® appliance is made by  
BSH Home Appliances Corporation  
1901 Main Street, Suite 600  
Irvine, CA 92614

## Questions?

1-800-735-4328

[www.thermador.com](http://www.thermador.com)

**We look forward to hearing from you!**

# Safety



## Important Safety Instructions

READ AND SAVE THESE INSTRUCTIONS

### Appliance Handling Safety

Hidden surfaces may have sharp edges. Use caution when reaching behind or under appliance.

### Safety Codes and Standards

This appliance complies with one or more of the following Standards:

- UL 858, The Standard for the Safety of Household Electric Ranges
- UL 923, The Standard for the Safety of Microwave Cooking Appliances, current edition
- UL 507, The Standard for the Safety of Electric Fans
- UL 1026, Electric Household Cooking and Food Service Appliances
- ANSI Z21.1, The American National Standard for Household Cooking Gas Appliances
- CSA C22.2 No. 64, Household Cooking and Liquid-Heating Appliances
- CSA C22.2 No. 113, Fans and Ventilators
- CSA C22.2 No. 61, Household Cooking Ranges

It is the responsibility of the owner and the installer to determine if additional requirements and/or standards apply to specific installations.

### Electric Safety

Do not cut or remove the ground prong on the power cord. It must be plugged into a matching grounding type receptacle to avoid electrical shock. If there is any doubt as to whether the wall receptacle is properly grounded, the customer should have it checked by a qualified electrician.

Be sure your appliance is properly installed and grounded by a qualified technician. Installation, electrical connections and grounding must comply with all applicable codes.

If required by the National Electrical Code (or Canadian Electrical Code), this appliance must be installed on a separate branch circuit.

Before installing, turn power OFF at the service panel. Lock service panel to prevent power from being turned ON accidentally.

Refer to data label for more information. See "Data Rating Label" on page 11 for Data Label location.

**INSTALLER** – Show the owner the location of the circuit breaker. Mark it for easy reference.

**IMPORTANT** – Save these instructions for the local electrical inspector's use.

### Related Equipment Safety

Remove all tape and packaging before using the appliance.

Never modify or alter the construction of the appliance. For example, do not remove panels or wire covers.



### WARNING:

If the information in this manual is not followed exactly, fire or shock may result causing property damage or personal injury.



### CAUTION:

For units with glass panels, use care when handling glass to avoid breaking. Broken glass could cause injury.



### WARNING:



### Electrical Shock Hazard

- Do not remove ground prong.
- Do not use an adapter.
- Do not use an extension cord.
- Failure to follow these instructions can result in death, fire, or electrical shock.

# Installation

## Before you Begin

### Tools and Parts Needed

Jig Saw with wood blade

Masking or Painter's tape

Phillips head screwdriver

Measuring tape

Drill with 1/8" bit

Work gloves

### Items Included

3 – Phillips head screws, 3/4" (3.175 mm)

4 – Phillips head screws, 1/2" (12.70 mm)  
(WDC30J / 36J models only)

1 – Anti-tip bracket

1 – Installation Manual

1 – Use & Care Guide



### CAUTION:

DO NOT lift the warming drawer by the door's handle, as this may damage the door hinges and cause the door to fit incorrectly.



### WARNING:

Do not repair or replace any part of the appliance unless specifically recommended in the manual. Improper installation, service or maintenance can cause injury or property damage. Refer to this manual for guidance. All other servicing should be done by a qualified technician.



Remove all tape and packaging before using the appliance. Please, recycle the packaging material, as all THERMADOR appliance packaging material is recyclable. Never allow children to play with packaging material.

## General Information



### CAUTION:



It is recommended to have two installers to install warming drawer. Failure to do so may result in property damage or personal injury.



### CAUTION:

Never operate the warming drawer without a front panel attached. You can attach a THERMADOR® front panel or a custom front panel.



### CAUTION:

Before installing, turn power OFF at the service panel. Lock service panel to prevent power from being turned ON accidentally.

### Power Requirements and Grounding

Circuit Specifications: 120V, 15A, 60Hz, 3-wire, grounded outlet.

The outlet must be properly grounded in accordance with all applicable codes.

It is the responsibility of the installer to comply with local codes. If no local codes are applicable, wire in accordance with the National Electrical Code, ANSI/NFPA 70 - latest edition.

### Electrical Location

The electrical outlet can be installed in the back wall directly behind the warming drawer. A recessed power receptacle must not exceed 5½ ft (1.7m) maximum distance from the right side of the warming drawer cutout. Installation clearances permit for the excess power cord to be coiled behind the appliance.

DO NOT install this warming drawer in wet locations or outdoors.

# Warming Drawer 30-Inch

**WDC30JS**



**WDC30JP**



## Installation Considerations

Instructions are based on standard American cabinets 36" (914 mm) high and 24" (609 mm) deep with a 25" (635 mm) countertop. If using non-standard cabinets, alter dimensions accordingly.

Cabinet opening bottom must be able to support 110 lbs. (50 kg).

### Wall-Mounted Installation

THERMADOR® warming drawers may be installed below any THERMADOR single or double built-in oven. A minimum space of 1" (25.4mm) is recommended between the bottom of the oven and the top of the warming drawer.

### Under-Counter Installation

THERMADOR warming drawers may also be installed below any THERMADOR electric or non-professional gas cooktop as long as there is no contact between the bottom of the cooktop and the top of the warming drawer. When installing below a THERMADOR induction cooktop, a minimum 1" (25.4 mm) air gap must be maintained between the bottom of the cooktop and the top of the warming drawer.

When installing below a THERMADOR PROFESSIONAL® rangetop, a minimum 2¾" (70 mm) air gap must be maintained between the bottom of the rangetop and the top of the warming drawer.

## Specifications and Dimensions

	WDC30JS	WDC30JP
<b>Without Door</b>		
Product Width	29½" (749 mm)	
Product Height	10½" (267 mm)	
Product Depth w/ gasket	22" (559 mm)	
Cutout Width	28½" (724 mm)	
Cutout Height	10" (254 mm)	
Cutout Depth	23" (584 mm)	
Door Width	29¾" (756 mm)	
Door Height	11¼" (286 mm)	
Door Depth	17 <sup>7</sup> / <sub>16</sub> " (37 mm)	
Clearance for door opening	22 <sup>13</sup> / <sub>16</sub> " (580 mm) for JP 22 <sup>7</sup> / <sub>16</sub> " (570 mm) for JS	
Electrical Supply	120 V AC, 60Hz	
Required Circuit Breaker	15 Amp	
Wattage	930	
Power Cord Included	120V-3-Wire	
Power Cord Length	72" (1,829 mm)	
Shipping Weight	80 lbs (36 kg)	

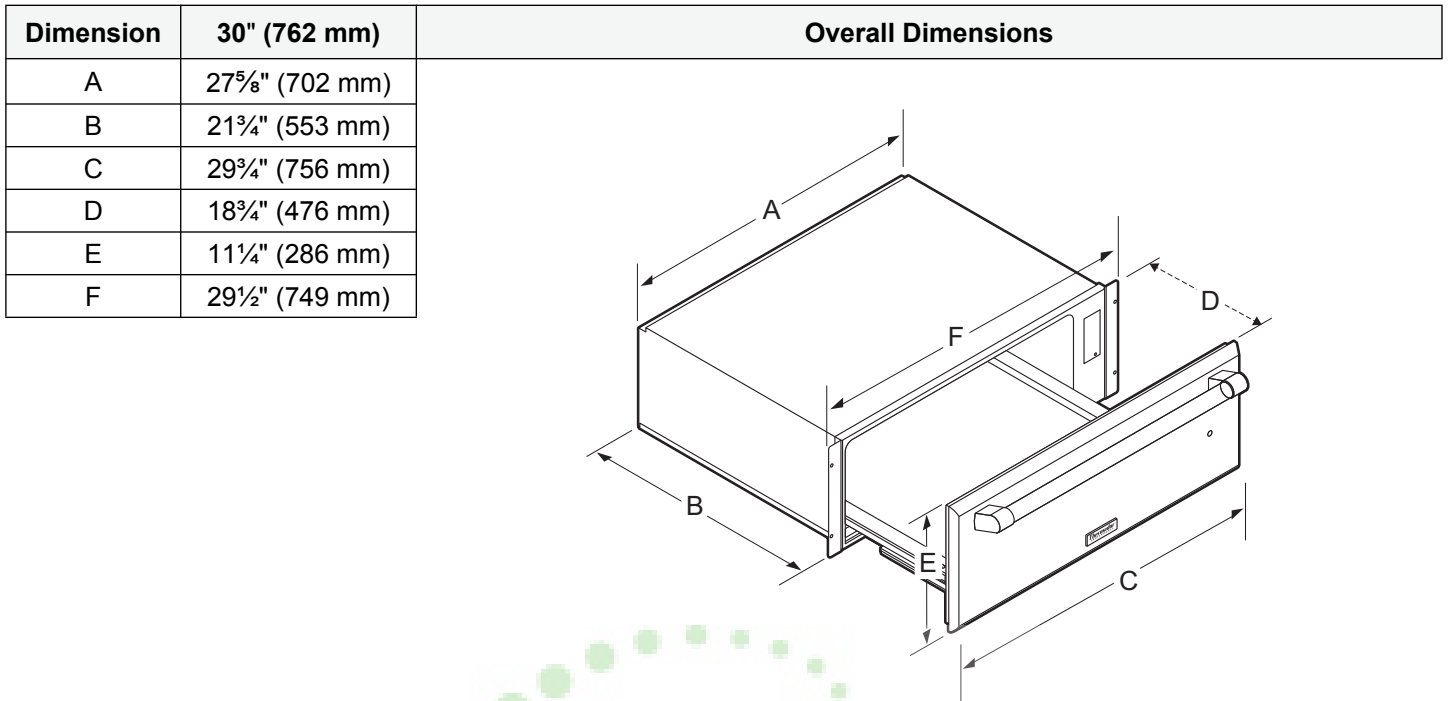


Figure 1: 30" Warming Drawer Overall Dimensions

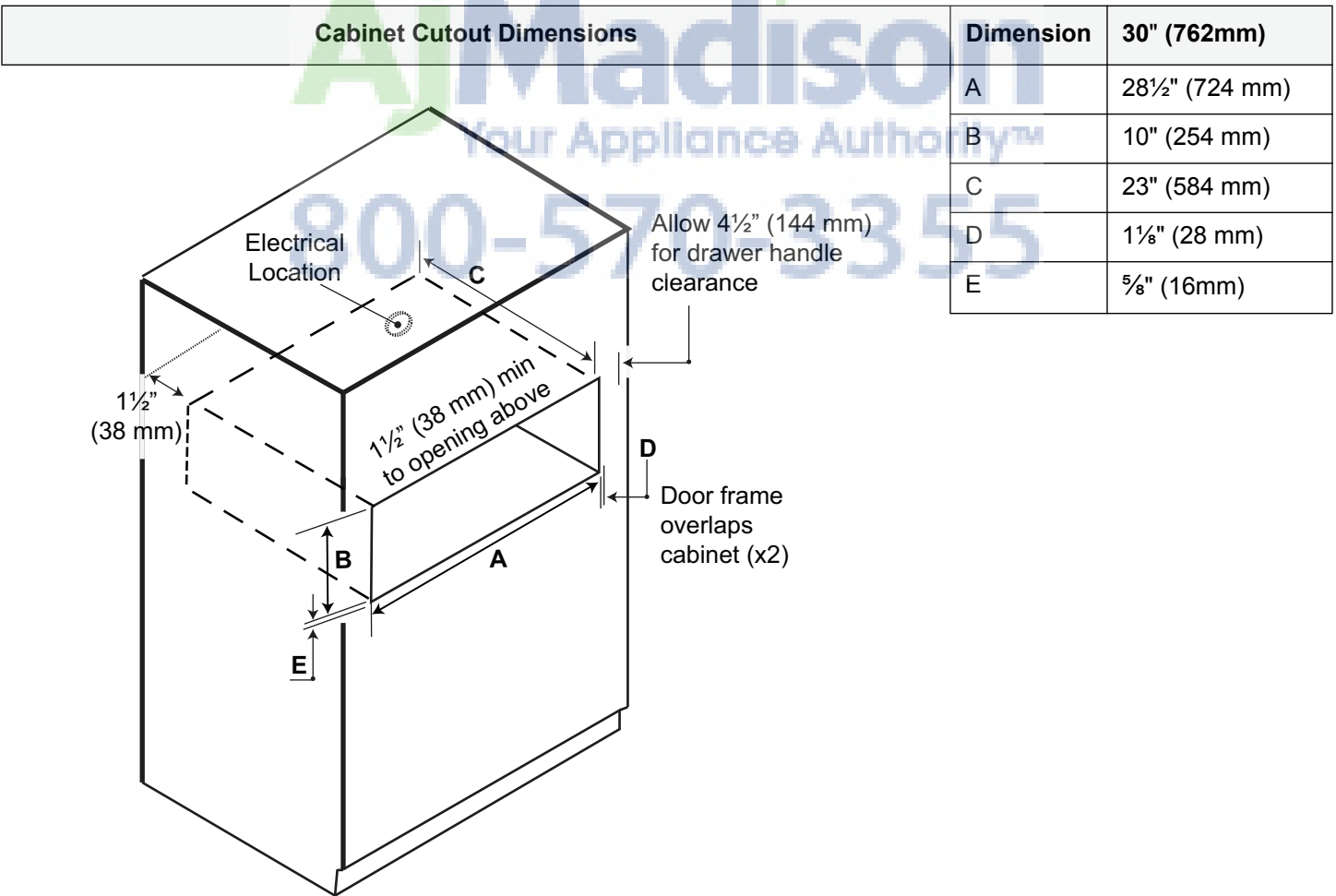


Figure 2: 30" Cabinet Cutout Dimensions

# Warming Drawer 36-Inch

WDC36JP



## Specifications and Dimensions

	WDC36JP
<b>Without Door</b>	
Product Width	35½" (902 mm)
Product Height	10½" (267 mm)
Product Depth w/ gasket	22" (559 mm)
Cutout Width	34½" (876 mm)
Cutout Height	10" (254 mm)
Cutout Depth	23" (584 mm)
Door Width	35¾" (907 mm)
Door Height	11¼" (286 mm)
Door Depth	17/16" (37 mm) or 4 1/16" (103 mm) w/ pro handle
Clearance for door opening	22 13/16" (580 mm)
Electrical Supply	120 V AC, 60Hz
Required Circuit Breaker	15 Amp
Wattage	1080
Power Cord Included	120V-3-Wire
Power Cord Length	72" (1,829 mm)
Shipping Weight	92 lbs (42 kg)

## Installation Considerations

Instructions are based on standard American cabinets 36" (914 mm) high and 24" (609 mm) deep with a 25" (635 mm) countertop. If using non-standard cabinets, alter dimensions accordingly.

Cabinet opening bottom must be able to support 110 lbs (50 kg).

### Wall-Mounted Installation

THERMADOR® warming drawers may be installed below any THERMADOR single or double built-in oven. A minimum space of 1" (25.4 mm) is recommended between the bottom of the oven and the top of the warming drawer.

### Under-Counter Installation

THERMADOR warming drawers may also be installed below any THERMADOR electric or non-professional gas cooktop as long as there is no contact between the bottom of the cooktop and the top of the warming drawer. When installing below a THERMADOR induction cooktop, a minimum 1" (25.4 mm) air gap must be maintained between the bottom of the cooktop and the top of the warming drawer.

When installing below a THERMADOR PROFESSIONAL® rangetop, a minimum 2¾" (70 mm) air gap must be maintained between the bottom of the rangetop and the top of the warming drawer.

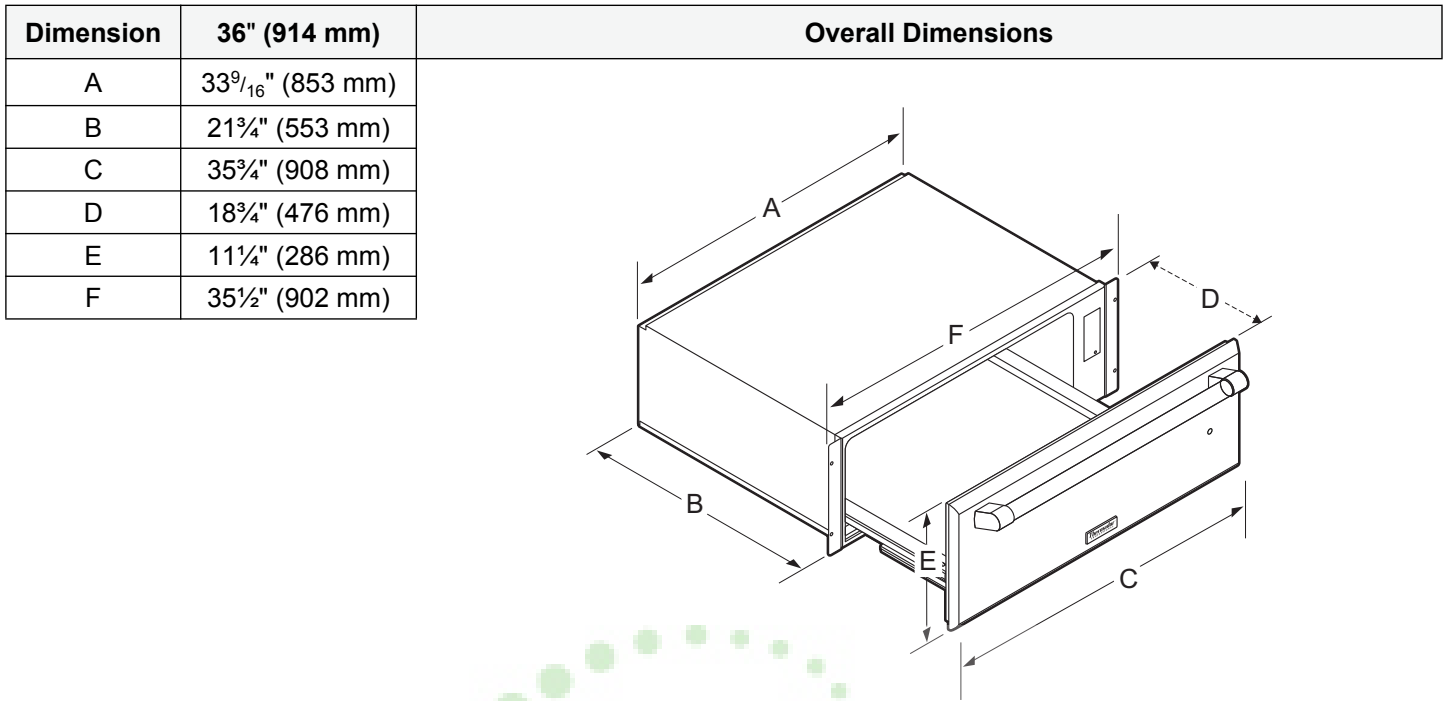


Figure 3: 36" Warming Drawer Overall Dimensions

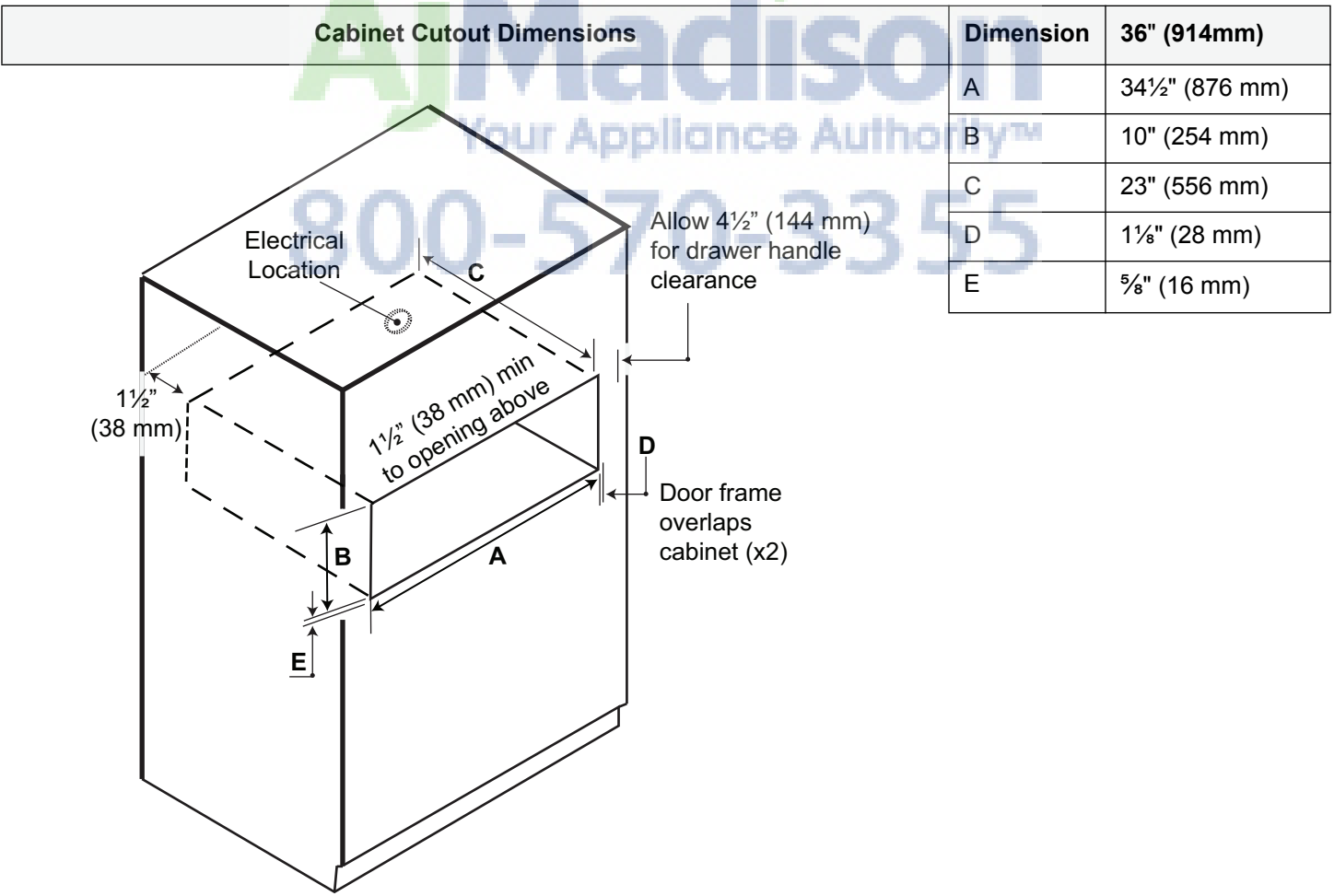


Figure 4: 36" Cabinet Cutout Dimensions



# Custom Drawer Front Dimensions

WDC30J | WDC36J



Custom panels must meet the following requirements:

- Have a handle.
- Have a minimum thickness of 3/4" (19 mm).
- Have all edges finished.
- If using wood, the back must be sealed to prevent moisture damage.
- Be capable of withstanding temperatures above 158 °F (70 °C).

## Custom Drawer Front Preparation

1. Mark pilot holes **on the back side of the panel** according to the dimensions indicated in *Figure 5 on page 8*.
2. Drill pilot holes with a 3/32" (2.5 mm) drill bit. **Be careful not to drill all the way through the panel.** Pilot holes should only be 7/16" (11 mm) deep, see *Figure 6 on page 8*.
3. Attach your own handle.

### Specifications and Dimensions

	WDC30J	WDC36J
Product Width	29½" (749 mm)	35½" (902 mm)
Product Height	10½" (267 mm)	10½" (267 mm)
Product Depth	22" (559 mm)	22" (559 mm)
Cutout Width	28½" (724 mm)	34½" (876 mm)
Cutout Height	10" (254 mm)	10" (254 mm)
Cutout Depth	23" (584 mm)	23" (584 mm)
<u>Minimum</u> Front Panel Width	29 ¾" (756 mm)	35 11/16" (907 mm)
Front Panel Height	11 ¼" (286 mm)	11 ¼" (286 mm)
Front Panel Depth	¾" (19 mm)	¾" (19 mm)
Clearance for door opening	18¾" (476 mm) plus custom panel & handle depth	
Electrical Supply	120 V AC, 60Hz	120 V AC, 60Hz
Circuit Breaker	15 Amp	15 Amp
Wattage	930	1080
Power Cord Incl.	120V-3-Wire	120V-3-Wire
Cord Length	72" (1,829 mm)	72" (1,829 mm)
Shipping Weight	65 lbs (30 kg)	75 lbs (34 kg)

Madison  
Appliance Authority™  
800-570-3355

# Custom Front Preparation

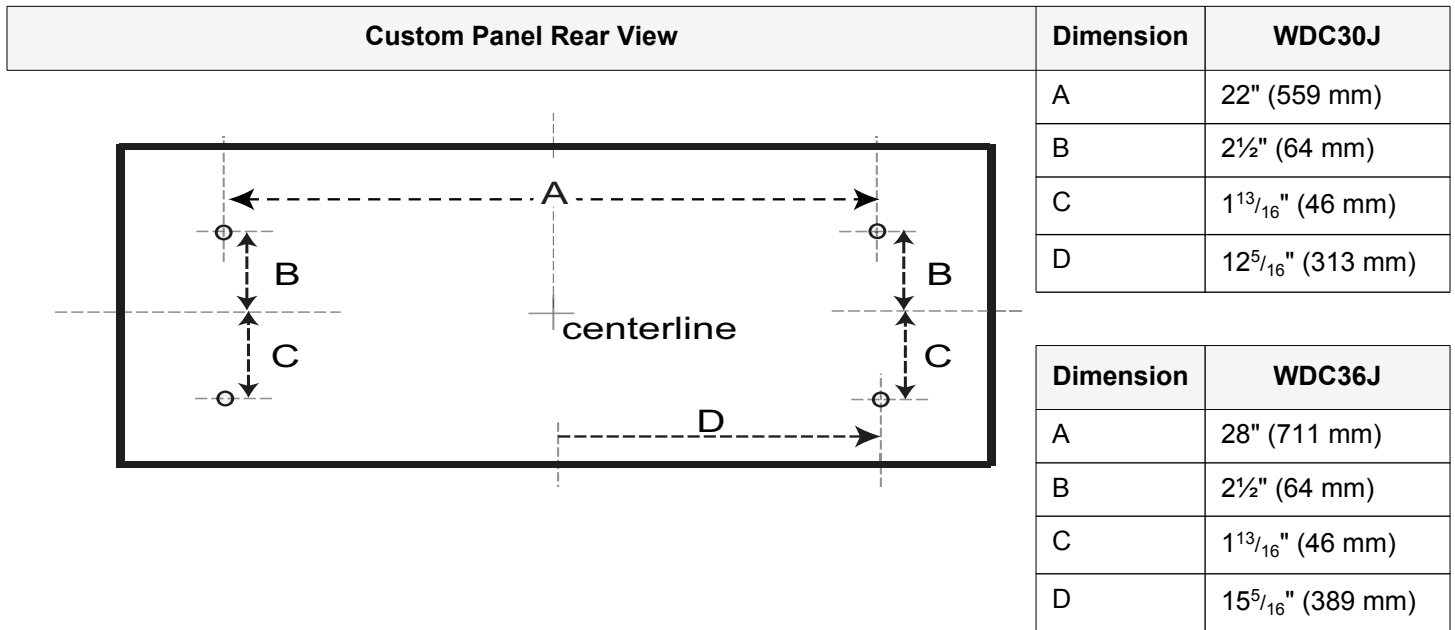


Figure 5: Pilot Holes Hole Dimensions

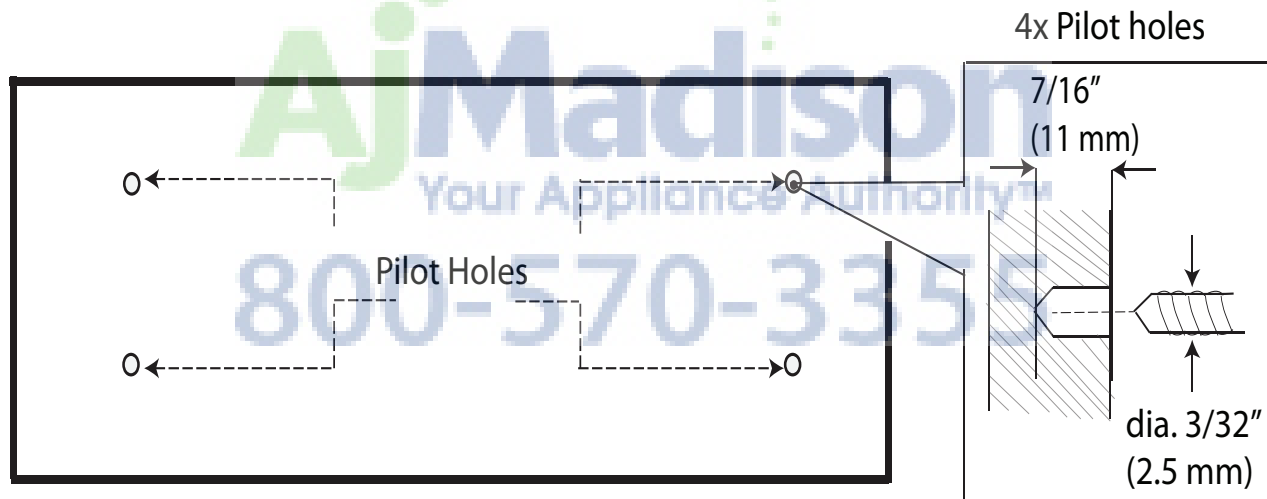


Figure 6: Drilling the Pilot Holes

## Attach Custom Drawer Front

1. On the back side of the panel, mark the pilot holes of the custom drawer front at the locations and specifications indicated in *Figure 5* and *Figure 6*.
2. Drill pilot holes. **Be careful not to drill all the way through the panel!** Pilot holes should only be 7/16" (11 mm) deep.
3. Attach drawer front with four (4) 1/2" (12.7 mm) screws through the back side of drawer front (*Figure 7*).

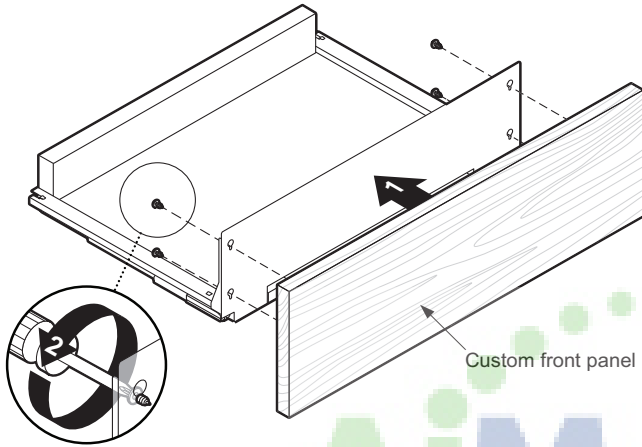


Figure 7: Custom Front Panel Installation

## Installation Procedure



### CAUTION:

Before installing, turn power OFF at the service panel. Lock service panel to prevent power from being turned ON accidentally.



### CAUTION:



It is recommended to have two installers to install warming drawer. Failure to do so may result in property damage or personal injury.

1. Turn power OFF at the service panel. Lock service panel to prevent power from being turned ON.
2. Install electrical connection and prepare cabinet cutout according to the dimensions for the applicable model stated in "General Information".

#### -- SUGGESTION

Saw blades can splinter and chip cabinet facing. To better protect cabinetry, after measuring and marking the cut line with a pencil, cover the wood with a piece of masking tape along the top of the line to be cut.

3. Position the anti-tip bracket on the floor of cabinet opening 20 5/8" (524 mm) from the cabinet edge and spaced equally centered for model type, as shown in *Figure 8*.

- Secure with three (3) 3/4" (3.175 mm) Phillips head screws (included).

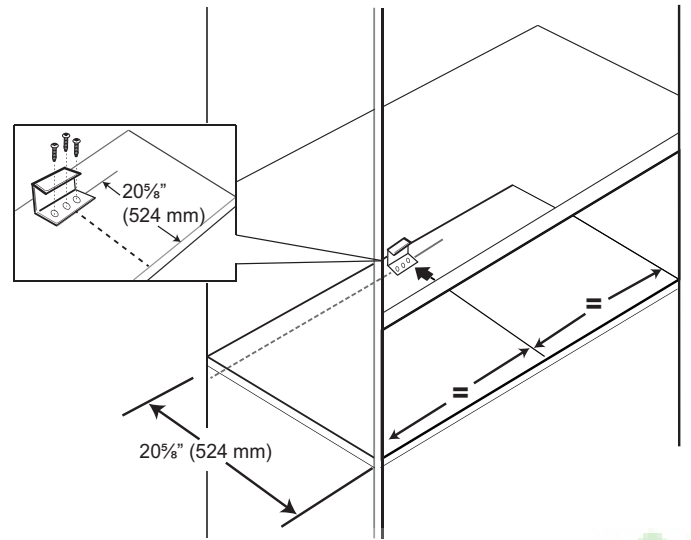


Figure 8: Anti-tip Bracket Location

- Insert plug into three-prong, grounded outlet (see "Power Requirements and Grounding" on page 2 for electrical specification).

- Slide warming drawer assembly into cutout until it is flush with cabinet. **Take care that the side screws of the warming drawer do not scratch the cabinet.**

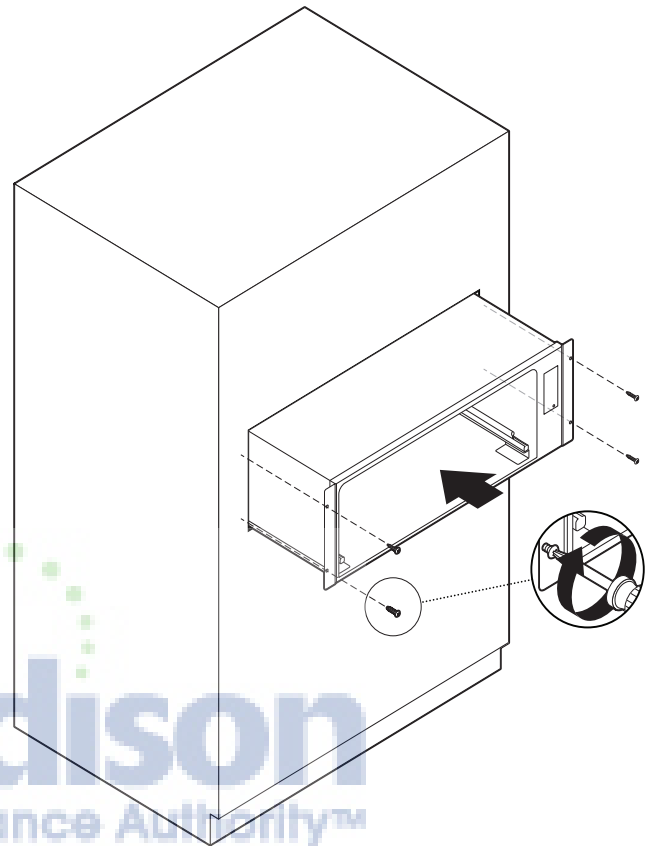


Figure 9: Secure Warming Drawer

- Drill pilot holes through side flange holes with a 1/8" (3.175 mm) wood bit.
- Secure with four (4) stainless Phillips screws through holes in front frame (Figure 9).
- Turn power on at the service panel.
- Turn the warming drawer on. Indicator light and timer should turn on immediately. Close the drawer for approximately 30 seconds then check for warmth.

# Installer Final Check List

- Specified clearances maintained to cabinet surfaces.
- Unit is level.
- All packaging material removed.

## Electrical

- Receptacle with correct over-current protection is provided for service cord connection.
- Proper ground connection.
- Owner is aware of location of the main circuit breaker.

## Operation

- Drawer handle is level and centered. Drawer opens and closes properly.
- INSTALLER:** Write the model number and serial number found on the Data Rating Label in the USE AND CARE GUIDE. Leave the USE AND CARE GUIDE and the INSTALLATION MANUAL with the owner of the appliance.

## Service

If the warming drawer elements or indicator light do not turn on, check the power source to see if the circuit breaker is tripped.

See Use and Care Guide for troubleshooting information. Refer to the Warranty in the Use and Care Guide.

To reach a service representative, see the contact information at the back of the manual. Please be prepared with the information printed on your product data label when calling.

## Data Rating Label

The data rating label shows the model and serial number. Refer to the data rating label on the appliance when requesting service. The data rating label is visible on the left side of the drawer casing.

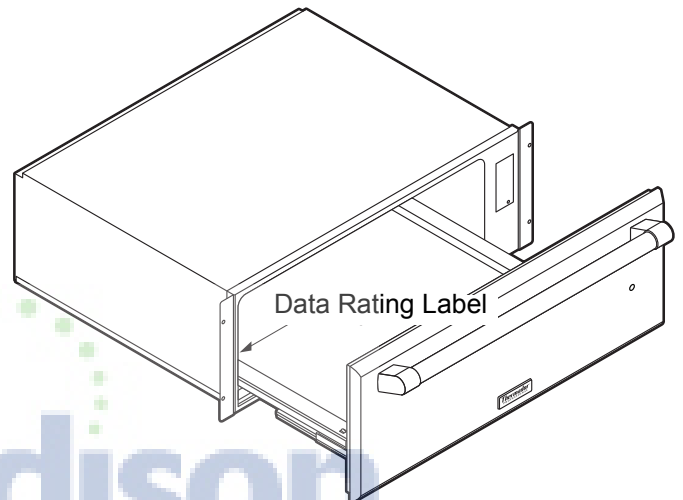


Figure 10: Data Rating Label

**AIMadison**  
Appliance Authority™  
800-570-3355

---

# To Clean and Protect Exterior Surfaces

The stainless steel surfaces may be cleaned by wiping with a damp soapy cloth, rinsing with clear water and drying with a soft cloth to avoid water marks. Any mild glass cleaner will remove fingerprints and smears.

For discolorations or deposits that persist, refer to the Use and Care Guide.

To polish and protect the stainless steel, use a cleaner/polish such as Stainless Steel Magic®.

DO NOT allow deposits to remain for long periods of time.

DO NOT use ordinary steel wool or steel brushes. Small bits of steel may adhere to the surface causing rust.

DO NOT allow salt solutions, disinfectants, bleaches or cleaning compounds to remain in contact with stainless steel for extended periods. Many of these compounds contain chemicals which could prove harmful. Rinse with water after exposure and wipe dry with a clean cloth.



Specifications are for planning purposes only. Refer to installation instructions and consult your countertop supplier prior to making a counter opening. For the most detailed information, refer to the installation instructions accompanying this product or write THERMADOR® indicating the model number.

We reserve the right to change specifications or design without notice. Some models are certified for use in Canada. THERMADOR is not responsible for products which are transported from the U.S. for use in Canada. Check with your local Canadian distributor or dealer.

---

# Table des matières

<b>Sécurité</b> .....	<b>1</b>
<b>Installation</b> .....	<b>2</b>
Avant de commencer .....	2
Outils et pièces nécessaires .....	2
Pièces incluses .....	2
<b>Renseignements généraux</b> .....	<b>3</b>
Spécifications et dimensions du tiroir-réchaud de 30 po .....	4
Spécifications et dimensions du tiroir-réchaud de 36 po .....	6
Dimensions d'un tiroir avant personnalisé (optionnel) .....	8
<b>Procédure d'installation</b> .....	<b>10</b>
<b>Liste de vérification finale à l'intention de l'installateur</b> .....	<b>12</b>
Entretien .....	12
Plaque signalétique .....	12
<b>Nettoyage et protection des surfaces extérieures</b> .....	<b>13</b>

Cet appareil électroménager de THERMADORmc est  
fait par BSH Home Appliances Corporation  
1901 Main Street, Suite 600  
Irvine, CA 92614

## Des questions?

1-800-735-4328

[www.thermador.ca](http://www.thermador.ca)

**Nous attendons de vos nouvelles!**

# Sécurité



## Consignes de sécurité importantes

LISEZ ET CONSERVEZ CES INSTRUCTIONS

**INSTALLATEUR :** Veuillez montrer au propriétaire où se trouve le disjoncteur. Identifiez-le pour qu'il soit facile à repérer.

**IMPORTANT :** Conservez ces instructions pour l'inspecteur électrique de votre localité.

### Précaution lors de la manutention de l'appareil

Les surfaces cachées de l'appareil peuvent avoir des rebords coupants. Faites preuve de prudence lorsque vous manipulez l'arrière ou le dessous de l'appareil.

### Codes et normes de sécurité

Cet appareil respecte une ou plusieurs des normes suivantes :

- UL 858, norme de sécurité régissant les cuisinières électriques domestiques
- UL 923, norme de sécurité régissant les appareils de cuisson à micro-ondes
- UL 507, norme de sécurité régissant les ventilateurs électriques
- UL 1026, électriques domestiques cuisson and servant alimentaire cuisinières
- La norme américaine ANSI Z21.1 régissant les appareils électroménagers au gaz
- La norme canadienne CSA C22.2 No. 64, régissant les ventilateurs
- La norme canadienne CSA-22.2 No. 113, régissant les cuisinières domestiques
- CSA C22.2 No. 61, électriques domestiques cuisson et de liquid-chauffage électroménagers

Il incombe au propriétaire et à l'installateur de déterminer si des exigences ou des normes additionnelles s'appliquent à l'installation spécifique.

### Sécurité – Électricité

Ne coupez pas et n'enlevez pas la broche de mise à la terre du cordon d'alimentation. Celui-ci doit être branché dans une prise avec mise à la terre pour éviter tout risque de décharge électrique. Si vous avez des doutes relativement à la mise à la terre adéquate de la prise murale, faites-la vérifier par un électricien qualifié.

Assurez-vous qu'un électricien qualifié effectue le branchement et la mise à la terre de cet appareil. L'installation, le raccordement électrique et la mise à la terre doivent respecter tous les codes en vigueur.

Si le Code national de l'électricité (ou le code canadien de l'électricité) l'exige, cet appareil doit être installé sur un circuit de dérivation séparé. Avant de procéder à l'installation de l'appareil, éteignez l'alimentation du panneau électrique et bloquez le dispositif de déconnexion pour éviter que l'alimentation électrique ne soit accidentellement rallumée.

Rapportez-vous à la plaque signalétique pour obtenir de plus amples renseignements. Voir la section « Plaque signalétique » de la page 12 pour savoir où se trouve la plaque.

### Sécurité – Équipement connexe

Enlevez tout le ruban et l'emballage avant d'utiliser l'appareil.

Ne modifiez jamais l'appareil de quelque façon que ce soit. Par exemple, n'enlevez pas de panneaux ou de couvre-fils.



### AVERTISSEMENT:

Ne réparez et ne remplacez aucune pièce de l'appareil à moins que le manuel ne recommande expressément de le faire. L'installation, la réparation ou l'entretien inadéquat de cet appareil peut causer des blessures corporelles ou des dommages matériels, ou encore annuler la garantie du produit. Consultez le présent manuel pour obtenir des conseils. Tous les autres travaux d'entretien doivent être effectués par un technicien qualifié.



### AVERTISSEMENT:

Si vous ne suivez pas rigoureusement les renseignements fournis dans le présent manuel, un incendie ou une décharge électrique pourrait causer des dommages matériels ou des blessures corporelles.



# Installation

## Avant de commencer

### Outils et pièces requis

Scie sauteuse avec lame à bois

Ruban masque ou de peintre

Tournevis à tête cruciforme

Ruban à mesurer

Mèche de perceuse 1/8 po

Gants de travail

### Articles inclus

3 – vis cruciformes, 3/4 po (3,175 mm)

4 – vis cruciformes, 1/2 po (12,70 mm) (modèles WDC30J et 36J seulement)

1 – support antibasculement

1 – manuel d'installation

1 – guide d'utilisation et d'entretien



### ATTENTION:



Il est recommandé de faire appel à deux personnes pour installer le tiroir-réchaud afin d'éviter tout risque de dommage à la propriété ou de blessure corporelle.



### AVERTISSEMENT:



Risque de décharge électrique

- N'enlevez pas la broche de mise à la terre
- N'utilisez pas d'adaptateur
- N'utilisez pas de fil d'extension
- Le non-respect de ces consignes peut provoquer un incendie, une décharge électrique ou même entraîner la mort.



### ATTENTION:

Ne faites jamais fonctionner le tiroir-réchaud sans panneau avant. Vous pouvez installer un panneau avant THERMADOR<sup>mc</sup> ou un panneau avant personnalisé.



### ATTENTION:

Avant de procéder à l'installation de l'appareil, éteignez l'alimentation sur le tableau de disjoncteurs et bloquez le dispositif de déconnexion pour éviter que l'alimentation électrique ne soit accidentellement rallumée.



### ATTENTION:

Pour les appareils munis de panneaux de verre, faites preuve de prudence lorsque vous manipulez le verre pour éviter de le briser. Le verre brisé peut provoquer des blessures.



### ATTENTION:

NE soulevez PAS la tiroir réchaud par la poignée. Vous pourriez endommager les charnières et faire en sorte que la porte s'ajuste mal à l'ouverture.



Retirez tous les matériaux d'emballage et étiquettes temporaires du four et de la table de cuisson. Veuillez recycler les matériaux d'emballage car tous les emballages THERMADOR sont recyclables.

# Renseignements généraux

## Exigences électriques et de mise à la terre

Caractéristiques du circuit : 120 V, 15 A, 60 Hz, prise triphasée avec mise à la terre.

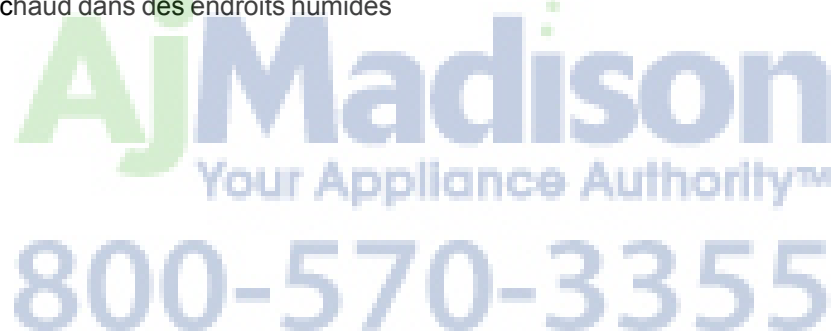
La prise doit être mise à la terre conformément à tous les codes en vigueur.

Il est de la responsabilité de l'installateur de s'assurer de la conformité de l'installation avec tous les codes locaux. Si aucun code local ne s'applique, l'installateur doit effectuer le branchement conformément au Code national de l'électricité ANSI/NFPA 70 – dernière édition.

## Emplacement de la prise de courant

La prise de courant peut être installée sur le mur se trouvant directement derrière le tiroir-réchaud. Toute prise d'alimentation encastrée ne doit pas se trouver à plus de 5,5 pi (1,7 m) à la droite de l'ouverture du tiroir-réchaud. Les espaces libres doivent permettre le roulement du cordon prolongateur derrière l'appareil.

N'installez PAS le tiroir-réchaud dans des endroits humides ou à l'extérieur.



# Tiroir-réchaud de 30 po

**WDC30JS**



**WDC30JP**



## Facteurs à prendre en compte pour l'installation

Les instructions se fondent sur les dimensions standards américaines d'armoires de 36 po (914 mm) de hauteur et de 24 po (609 mm) de profondeur avec un comptoir de 25 po (635 mm) de profondeur. Si vous utilisez des armoires non standards, veuillez modifier les mesures en conséquence.

Les ouvertures pratiquées dans la partie inférieure des armoires doivent pouvoir soutenir un poids de 110 lb. (50 kg).

### Installation murale

Il est possible d'installer les tiroirs-réchauds THERMADOR® sous un four encastré simple ou double de THERMADOR. Un espace minimal d'un pouce (25,4 mm) est recommandé entre la partie inférieure du four et la partie supérieure du tiroir-réchaud.

### Installation sous le comptoir

Il est possible d'installer les tiroirs-réchauds THERMADOR sous une cuisinière électrique ou une cuisinière à gaz non professionnelle de THERMADOR, pour autant que la partie inférieure de la surface de cuisson ne touche pas la partie supérieure du tiroir-réchaud. Lors de l'installation d'une surface de cuisson à induction THERMADOR, vous devez vous assurer qu'il y a au moins un pouce (25,4 mm) entre la partie inférieure de la surface de cuisson et la partie supérieure du tiroir-réchaud.

Lors de l'installation d'une cuisinière PROFESSIONAL<sup>mc</sup> de THERMADOR, vous devez vous assurer qu'il y a au moins 2,75 po (70 mm) entre la partie inférieure de la surface de cuisson et la partie supérieure du tiroir-réchaud.

## Spécifications et dimensions

	WDC30JS	WDC30JP
<b>Sans porte</b>		
Largeur	29,5 po (749 mm)	
Hauteur	10,5 po (267 mm)	
Profondeur avec joint d'étanchéité	22 po (559 mm)	
Largeur de l'ouverture	28,5 po (724 mm)	
Hauteur de l'ouverture	10 po (254 mm)	
Profondeur de l'ouverture	23 po (584 mm)	
Largeur du panneau avant	29,75 po (756 mm)	
Hauteur du panneau avant	11,25 po (286 mm)	
Profondeur du panneau avant	1-7/16 po (37 mm)	
Espace libre pour l'ouverture de la porte	22-13/16 po (580 mm) pour le JP	22-7/16 po (570 mm) pour le JS
Alimentation électrique	120 VCA, 60 Hz	
Disjoncteur requis	15 Ampères	
Puissance	930	
Cordon d'alimentation inclus	120V-3-broches	
Longueur du cordon d'alimentation	72 po (1,829 m)	
Poids à l'expédition	80 lbs (36 kg)	

Dimension	30 po (762 mm)	Dimensions hors-tout
A	27 <sup>5</sup> / <sub>8</sub> po (702 mm)	
B	21 <sup>3</sup> / <sub>4</sub> po (553 mm)	
C	29 <sup>3</sup> / <sub>4</sub> po (756 mm)	
D	18 <sup>3</sup> / <sub>4</sub> po (476 mm)	
E	11 <sup>1</sup> / <sub>4</sub> po (286 mm)	
F	29 <sup>1</sup> / <sub>2</sub> po (749 mm)	

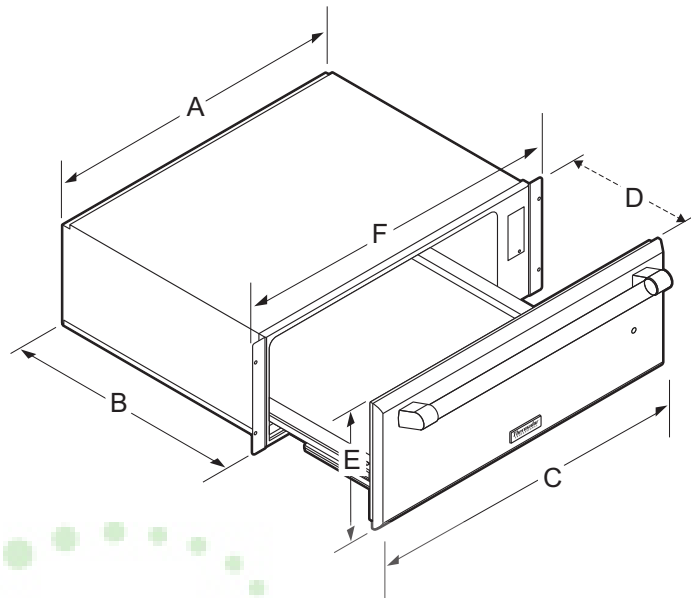


Figure 1 : Dimensions hors-tout du tiroir-réchaud de 30 po

Dimensions de l'ouverture de l'armoire		Dimension	30 po (762mm)
<p>Passage des fils électriques</p> <p>Laissez 4,5 po (144 mm) d'espace libre pour la poignée</p> <p>1,5 po (38 mm) min. jusqu'à l'ouverture supérieure</p> <p>Cadre de porte chevauchant l'armoire (x2)</p>		A	28 <sup>1</sup> / <sub>2</sub> po (724 mm)
		B	10 po (254 mm)
		C	23 po (584 mm)
		D	1 <sup>1</sup> / <sub>8</sub> po (28 mm)
		E	5 <sup>5</sup> / <sub>8</sub> po (16mm)

Figure 2 : Dimensions de l'ouverture de l'armoire (tiroir-réchaud de 30 po)

# Tiroir-réchaud de 36 po

WDC36JP



## Spécifications et dimensions

	WDC36JP
<b>Sans porte</b>	
Largeur	35,5 po (902 mm)
Hauteur	10,5 po (267 mm)
Profondeur avec joint d'étanchéité	22 po (559 mm)
Largeur de l'ouverture	34,5 po (876 mm)
Hauteur de l'ouverture	10 po (254 mm)
Profondeur de l'ouverture	23 po (584 mm)
Largeur du panneau avant	29,75 po (756 mm)
Hauteur du panneau avant	11,25 po (286 mm)
Profondeur du panneau avant	1-7/16 po (37 mm)
Espace libre pour l'ouverture de la porte	22-13/16 po (580 mm) pour le JP 22-7/16 po (570 mm) pour le JS
Alimentation électrique	120 VCA, 60 Hz
Disjoncteur requis	15 Ampères
Puissance	1080
Cordon d'alimentation inclus	120V 3-broches
Longueur du cordon d'alimentation	72 po (1,829 m)
Poids à l'expédition	92 lbs (42 kg)

## Facteurs à prendre en compte pour l'installation

Les instructions se fondent sur les dimensions standards américaines d'armoires de 36 po (914 mm) de hauteur et de 24 po (609 mm) de profondeur avec un comptoir de 25 po (635 mm) de profondeur. Si vous utilisez des armoires non standards, veuillez modifier les mesures en conséquence.

Les ouvertures pratiquées dans la partie inférieure des armoires doivent pouvoir soutenir un poids de 110 lb. (50 kg).

### Installation murale

Il est possible d'installer les tiroirs-réchauds THERMADOR sous un four encastré simple ou double de THERMADOR. Un espace minimal d'un pouce (25,4 mm) est recommandé entre la partie inférieure du four et la partie supérieure du tiroir-réchaud.

### Installation sous le comptoir

Il est possible d'installer les tiroirs-réchauds THERMADOR sous une cuisinière électrique ou une cuisinière à gaz non professionnelle de THERMADOR, pour autant que la partie inférieure de la surface de cuisson ne touche pas la partie supérieure du tiroir-réchaud. Lors de l'installation d'une surface de cuisson à induction THERMADOR, vous devez vous assurer qu'il y a au moins un pouce (25,4 mm) entre la partie inférieure de la surface de cuisson et la partie supérieure du tiroir-réchaud.

Lors de l'installation d'une cuisinière PROFESSIONAL<sup>mc</sup> de THERMADOR, vous devez vous assurer qu'il y a au moins 2,75 po (70 mm) entre la partie inférieure de la surface de cuisson et la partie supérieure du tiroir-réchaud.

Dimension	36 po (914 mm)	Dimensions hors-tout
A	33 <sup>9</sup> / <sub>16</sub> po (853 mm)	
B	21 <sup>3</sup> / <sub>4</sub> po (553 mm)	
C	35 <sup>3</sup> / <sub>4</sub> po (908 mm)	
D	18 <sup>3</sup> / <sub>4</sub> po (476 mm)	
E	11 <sup>1</sup> / <sub>4</sub> po (286 mm)	
F	35 <sup>1</sup> / <sub>2</sub> po (902 mm)	

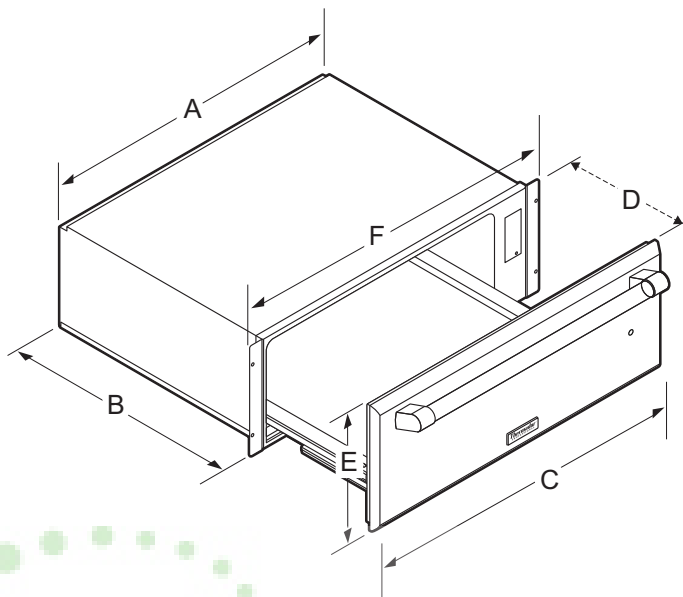



Figure 3 : Dimensions hors-tout du tiroir-réchaud de 36 po

Dimensions de l'ouverture de l'armoire		Dimension	36 po (914mm)
<p>Passage des fils électriques</p> <p>Laissez 4,5 po (144 mm) d'espace libre pour la poignée</p> <p>1,5 po (38 mm)</p> <p>1,5 po (38 mm) min. jusqu'à l'ouverture supérieure</p> <p>Cadre de porte chevauchant l'armoire (x2)</p>	A	34 <sup>1</sup> / <sub>2</sub> po (876 mm)	
	B	10 po (254 mm)	
	C	23 po (556 mm)	
	D	1 <sup>1</sup> / <sub>8</sub> po (28 mm)	
	E	<sup>5</sup> / <sub>8</sub> po (16mm)	

Figure 4 : Dimensions de l'ouverture de l'armoire (tiroir-réchaud de 36 po)

# Dimensions d'un tiroir avant personnalisé

Spécifications et dimensions			
		WDC30J	WDC36J
	Largeur	29,5 po (749 mm)	35,5 po (902 mm)
	Hauteur	10,5 po (267 mm)	10,5 po (267 mm)
	Profondeur avec joint d'étanchéité	22 po (559 mm)	22 po (559 mm)
	Largeur de l'ouverture	28,5 po (724 mm)	34,5 po (876 mm)
	Hauteur de l'ouverture	10 po (254 mm)	10 po (254 mm)
	Profondeur de l'ouverture	23 po (584 mm)	23 po (584 mm)
<u>Minimum</u>			
Largeur du panneau avant	29,75 po (756 mm)	35-11/16 po (907 mm)	
Hauteur du panneau avant	11,25 po (286 mm)	11,25 po (286 mm)	
Profondeur du panneau avant	0,75 po (19 mm)	0,75 po (19 mm)	
Espace libre pour l'ouverture de la porte		18,75 po (476 mm) plus la profondeur du panneau et de la poignée	
Alimentation électrique		120 VCA, 60 Hz	120 VCA, 60 Hz
Disjoncteur requis		15 Ampères	15 Ampères
Puissance		930	1080
Cordon d'alimentation inclus		120V 3-broches	120V 3-broches
Longueur du cordon d'alimentation		72 po (1,829 m)	72 po (1,829 m)
Poids à l'expédition		65 lbs (30 kg)	75 lbs (34 kg)

## Les panneaux avant doivent respecter les exigences suivantes :

- Avoir une poignée.
- Être d'une épaisseur minimale de 0,75 po (19 mm).
- Avoir un fini sur tous les côtés.
- S'il est en bois, l'arrière doit être scellé doit éviter tout dommage dû à l'humidité.
- Résistance à des températures de plus de 158 °F (70 °C).

## Préparation d'un panneau avant personnalisé

1. Marquez les trous de guidage sur le côté arrière du panneau selon les dimensions indiquées à la *Figure 5 de la page 9*.
2. Percez les trous de guidage avec une mèche de 3/32 po (2,5 mm). **Prenez garde de ne pas faire un trou qui transperce totalement le panneau.** La profondeur des trous de guidage ne doit être que de 7/16 po (11 mm). *Consultez la Figure 6 de la page 9.*
3. Fixez votre propre poignée au panneau.

## Préparation du panneau avant personnalisé

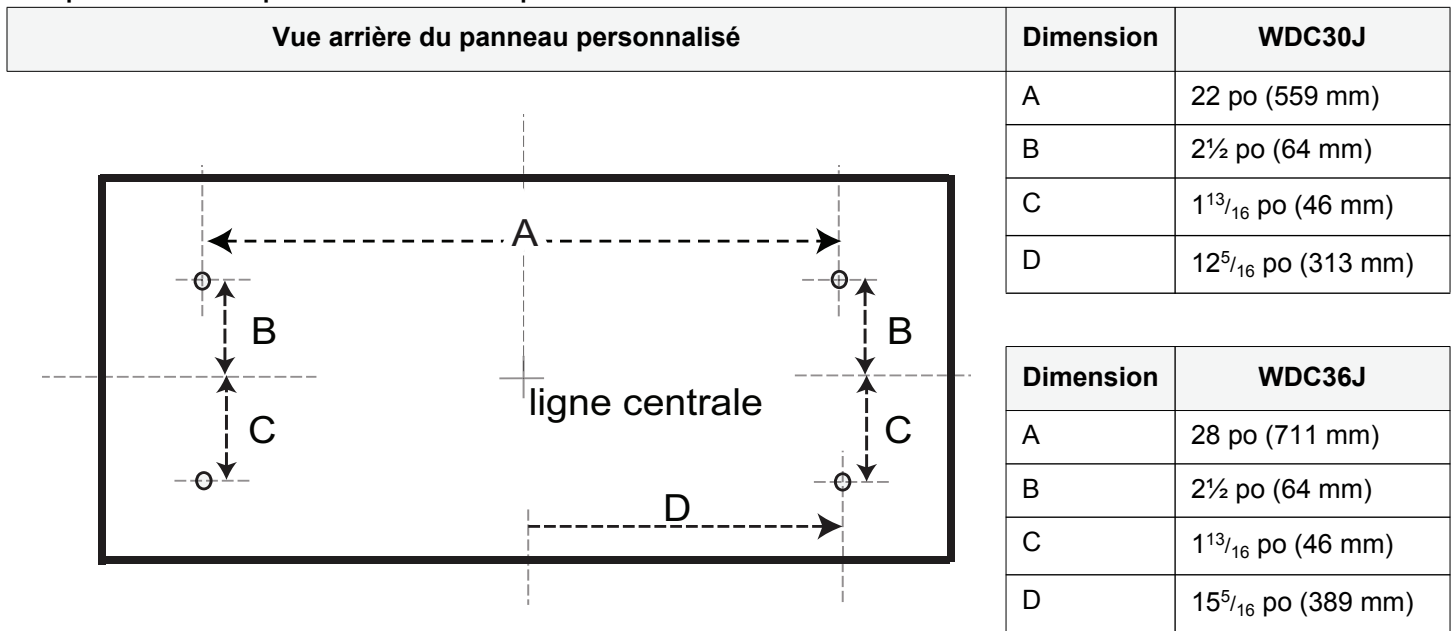


Figure 5 : Dimension des trous de guidage

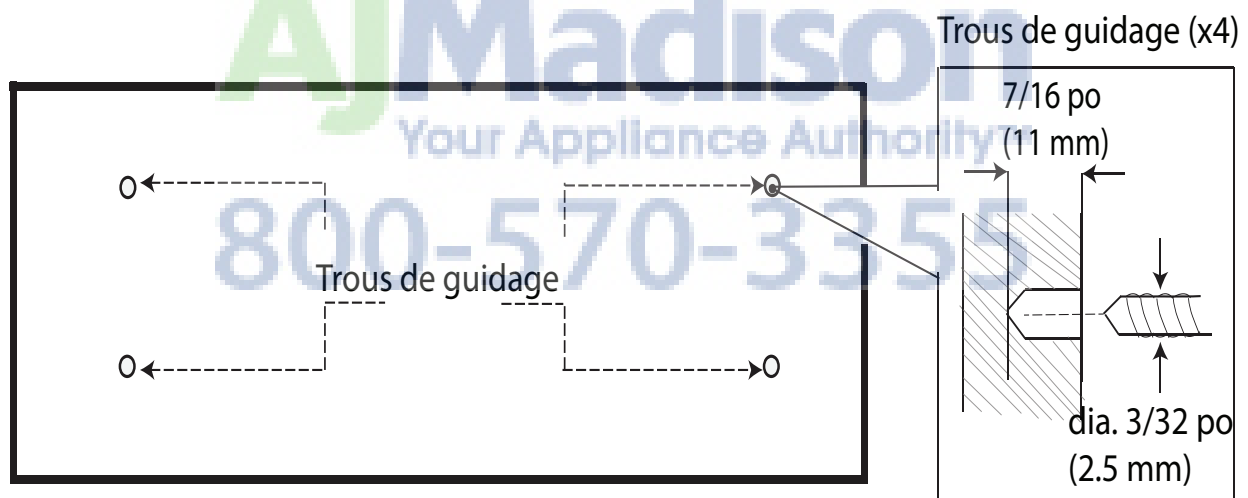


Figure 6 : Perçage des trous de guidage



## Installation du panneau avant personnalisé

1. Sur le côté arrière du panneau, marquez les trous de guidage du panneau avant personnalisé aux emplacements indiqués sur les *Figure 5* et *Figure 6*.
2. Percez les trous de guidage. **Prenez garde de ne pas faire un trou qui transperce totalement le panneau!** La profondeur des trous de guidage ne doit être que de 7/16 po (11 mm).
3. Fixez l'avant du tiroir en visant quatre (4) vis de 1/2 po (12,7 mm) à travers le côté arrière du panneau avant du tiroir-réchaud (*Figure 7*).

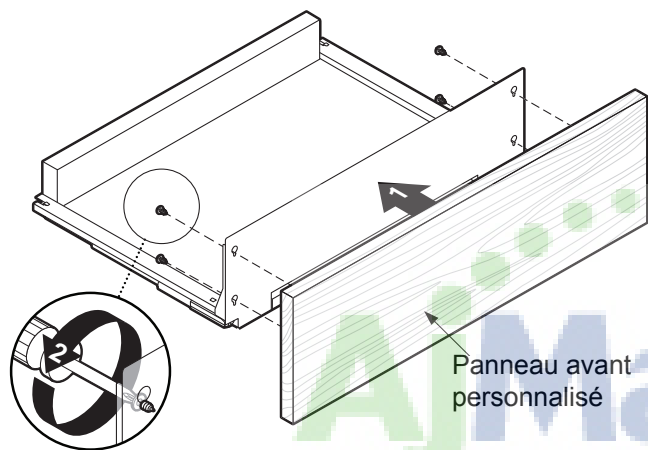


Figure 7 : Panneau avant personnalisé

## Procédure d'installation



### ATTENTION:

Avant de procéder à l'installation de l'appareil, éteignez l'alimentation du panneau électrique et bloquez le dispositif de déconnexion pour éviter que l'alimentation électrique ne soit accidentellement rallumée.



### ATTENTION:



Il est recommandé de faire appel à deux personnes pour installer le tiroir-réchaud afin d'éviter tout risque de dommage à la propriété ou de blessure corporelle.

1. Éteignez l'alimentation du panneau électrique et bloquez le dispositif de déconnexion pour éviter que l'alimentation électrique soit rallumée.
2. Effectuez le raccordement électrique et pratiquez l'ouverture dans l'armoire conformément aux dimensions propres au modèle énoncées dans la section « *Renseignements généraux* ».

### -- SUGGESTION

- Les lames de scie peuvent fendre et ébrécher le devant de l'armoire. Pour mieux protéger votre armoire, après avoir mesuré et marqué la ligne de coupe avec un crayon, couvrez le bois avec un morceau de ruban masque tout au long de la ligne à couper.
3. Placez le support antibasculement sur la planche inférieure de l'ouverture du cabinet, à 20-5/8 po (524 mm) du bord du cabinet, centré selon les dimensions de chaque modèle, *comme illustré sur la Figure 8*.

- Fixez-le à l'aide de trois (3) vis cruciformes de 3/4 po (3,175 mm) (incluses).

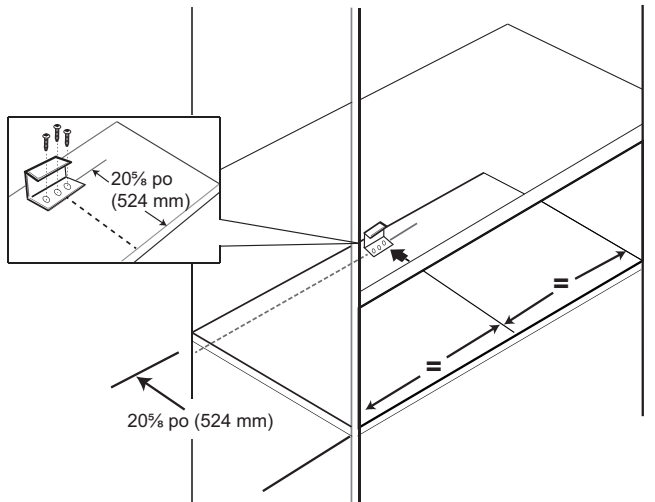


Figure 8 : Emplacement du support antibasculement

- Insérez la fiche dans la prise triphasée avec mise à la terre (consultez la section « Exigences électriques et de mise à la terre » de la page 3 pour les spécifications électriques).

- Faites glisser l'assemblage du tiroir dans l'ouverture jusqu'à ce qu'il soit de niveau avec l'armoire. **Assurez-vous que les vis latérales n'égratignent pas l'armoire.**

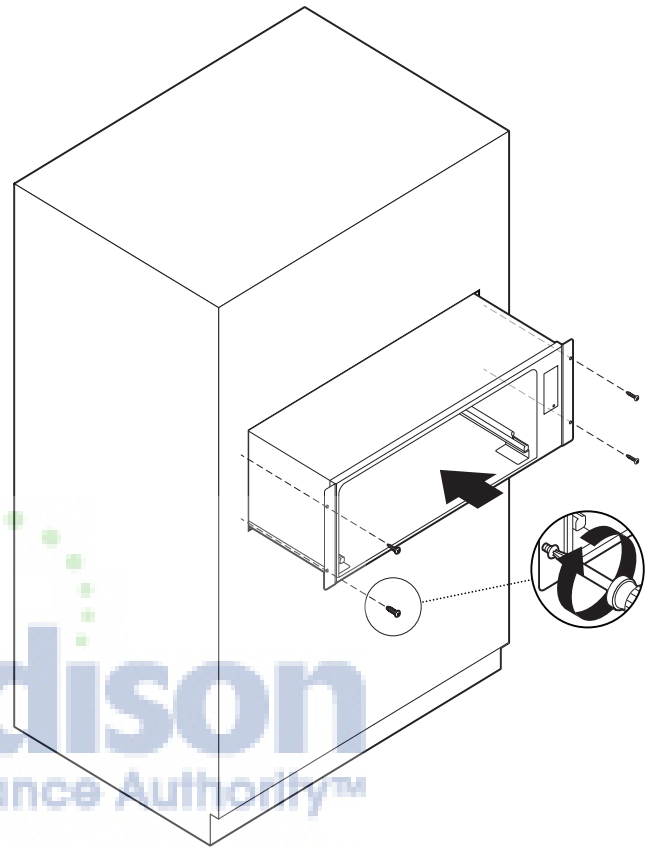


Figure 9 : Installation du tiroir-réchaud

- Percez des trous de guidage à travers les trous des brides latérales avec une mèche à bois de 1/8 po (3,175 mm).
- Fixez quatre (4) vis cruciformes en acier inoxydable dans les trous du panneau avant (Figure 9).
- Allumez l'alimentation sur le tableau de disjoncteurs.
- Allumez le tiroir-réchaud. Le témoin lumineux et la minuterie devraient s'allumer immédiatement. Fermez le tiroir pendant une trentaine de secondes puis vérifiez s'il est chaud.

# Liste de vérification finale de l'installateur

## Liste de vérification finale de l'installateur

- Respect des espaces libres indiqués par rapport aux surfaces des armoires.
- L'appareil est nivelé.
- Tout le matériel d'emballage a été enlevé.

## Électricité

- Une prise avec protection contre les surintensités est utilisée avec le cordon électrique.
- Mise à la terre adéquatement effectuée.
- Le propriétaire sait où se trouve le tableau de disjoncteurs principal.

## Fonctionnement

- La poignée du tiroir est nivelée et centrée. Le tiroir s'ouvre et se ferme convenablement.
- INSTALLATEUR** : Écrivez le numéro de modèle et le numéro de série se trouvant sur la plaque signalétique dans le GUIDE D'UTILISATION ET D'ENTRETIEN. Laissez le GUIDE D'UTILISATION ET D'ENTRETIEN au propriétaire de l'appareil.

## Entretien

Si les éléments ou le témoin lumineux du tiroir-réchaud ne s'allument pas, vérifiez l'alimentation électrique pour voir si le disjoncteur est mal enclenché.

Consultez la section de dépannage du Guide d'utilisation et d'entretien. Rapportez-vous à la garantie de la Guide d'utilisation et d'entretien.

Pour joindre un préposé du service, consultez les coordonnées se trouvant au dos du présent manuel. Lorsque vous appelez, veuillez avoir à la portée de la main les renseignements imprimés sur la plaque signalétique de votre appareil.

## Plaque signalétique

La plaque signalétique indique le numéro de modèle et le numéro de série de l'appareil. Consultez la plaque signalétique de l'appareil lorsque vous appelez pour du service. La plaque signalétique se trouve sur le côté intérieur gauche du boîtier du tiroir.

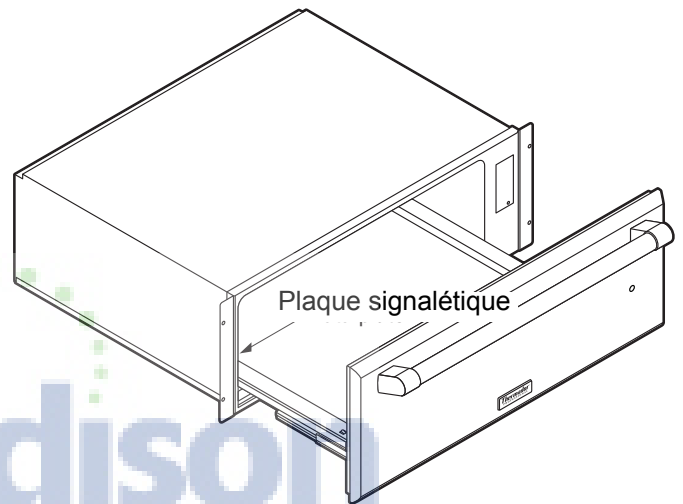


Figure 10 : Étiquette de la plaque signalétique

---

# Nettoyage et protection des surfaces extérieures

Pour éviter que l'eau ne laisse de traces, les surfaces en acier inoxydable doivent être nettoyées à l'aide d'un chiffon mouillé et d'eau savonneuse, puis rincées à l'eau claire et séchées avec un chiffon sec. Les traces de doigts et les saletés partiront avec un nettoyant pour verre.

En cas de décoloration ou de tache persistante, consultez le manuel d'utilisation et d'entretien.

Pour faire briller et protéger l'acier inoxydable, utilisez un produit nettoyant ou un produit de polissage comme Stainless Steel Magic<sup>mc</sup>.

NE laissez PAS les dépôts s'accumuler sur une longue période.

N'utilisez PAS de tampons ni de brosses métalliques régulières. De petits morceaux de métal risquent d'adhérer à la surface et de la faire rouiller.

NE laissez PAS les solutions salines, les désinfectants, l'eau de javel ou les produits de nettoyage rester en contact avec l'acier inoxydable. Plusieurs de ces produits contiennent des produits chimiques nuisibles. Rincez à l'eau puis séchez avec un chiffon sec.



Les spécifications ne servent qu'à des fins de planification. Rapportez-vous aux instructions d'installation et consultez votre fournisseur de comptoir avec de pratiquer une ouverture dans le comptoir. Pour obtenir des renseignements plus détaillés, consultez les instructions d'installation qui accompagnent ce produit ou écrivez à THERMADOR en indiquant le numéro de modèle de votre appareil.

Nous nous réservons le droit de modifier les spécifications ou le design du produit sans préavis. Certains modèles sont certifiés pour une utilisation au Canada. THERMADOR n'est pas responsable des produits qui sont transportés au Canada à partir des États-Unis. Informez-vous auprès de votre distributeur ou détaillant Canadien.

---

# Índice de materias

<b>Seguridad</b> .....	<b>1</b>
<b>Instalación</b> .....	<b>2</b>
Antes de empezar .....	2
Herramientas y piezas necesarias .....	2
Piezas incluidas .....	2
<b>Información general</b> .....	<b>2</b>
Especificaciones y dimensiones del cajón calentador de 30 pulg. ....	3
Especificaciones y dimensiones del cajón calentador de 36 pulg. ....	5
Dimensiones de un cajón delantero personalizado (opcional). ....	7
<b>Proceso de instalación</b> .....	<b>9</b>
<b>Lista de chequeo final para el instalador</b> .....	<b>11</b>
Mantenimiento .....	11
Placa de señalización .....	11
<b>Limpieza y protección de superficies exteriores</b> .....	<b>12</b>

Este electrodoméstico de THERMADOR® está hecho  
por BSH Home Appliances Corporation  
1901 Main Street, Suite 600  
Irvine, CA 92614

## ¿Preguntas?

1-800-735-4328

[www.thermador.com](http://www.thermador.com)

**¡Esperamos oír de usted!**

# Seguridad



## Instrucciones importantes de seguridad

LEA Y GUARDE ESTAS INSTRUCCIONES

### Precaución al manipular el aparato

Las superficies ocultas del aparato pueden tener salientes cortantes. Tenga cuidado al sujetar el aparato por debajo o por detrás.

### Códigos y normas de seguridad

Este aparato respeta una o varias de las normas siguientes:

- UL 858 – norma de seguridad para estufas eléctricas domésticas
- UL 923 – norma de seguridad para aparato de microondas
- UL 507, norma de seguridad para ventiladores eléctricos
- UL 1026, eléctricos cocina doméstica y los aparatos de servicio de alimentos
- Norma americana ANSI Z21.1 para aparatos domésticos de gas
- CSA C22.2 No. 64, hogares de cocina y líquido-calefacción por aparatos
- Norma canadiense CSA 22.2 No. 113, para ventiladores
- Norma canadiense CSA 22.2 No. 61, para estufas domésticas

Incumbe al dueño y al instalador determinar si se aplican requisitos o normas adicionales a la instalación específica.

### Seguridad – Electricidad

No corte ni quite la clavija de toma de tierra del cable de alimentación. Se debe conectar el cable de alimentación a un enchufe de pared con toma de tierra para evitar riesgos de descarga eléctrica. Si tiene alguna duda respecto a la toma de tierra adecuada del enchufe de pared, contrate a un electricista cualificado para que la compruebe.

Asegúrese de que un electricista cualificado efectúe la conexión y la toma de tierra de este aparato. La instalación, la conexión eléctrica y la toma de tierra deben respetar todos los códigos vigentes.

Si lo exige el Código nacional de la electricidad (o el Código canadiense de la electricidad, este aparato se debe instalar en un circuito de derivación separado.

Antes de proceder a la instalación del aparato, apague la alimentación del interruptor automático. Bloquee el panel de servicio para impedir que se conecte accidentalmente la alimentación.

Consulte la placa de señalización para obtener más información. Vea la sección “Placa de señalización” on página 11 para saber dónde se encuentra la placa.

**INSTALADOR:** muestre al propietario la ubicación del interruptor automático. Márquela para recordarla más fácilmente.

**IMPORTANTE:** Conserve estas instrucciones para el inspector eléctrico de su localidad.

### Seguridad – Equipo conexo

Nunca modifique la construcción del aparato. Por ejemplo, no quite los paneles laterales o los cubre cables.



#### ADVERTENCIA:

No repare ni reemplace ninguna pieza del aparato a menos que el presente manual lo recomiende expresamente. La instalación, la reparación y el mantenimiento incorrectos del aparato pueden causar lesiones o daños a la propiedad, o anular la garantía del producto. Consulte este manual para recibir consejos. Un técnico cualificado debe llevar a cabo todos los demás trabajos de mantenimiento.



#### ADVERTENCIA:

El hecho de no seguir atentamente las instrucciones de este manual puede provocar un incendio o una descarga eléctrica que puede causar daños a la propiedad o lesiones a personas.



Quite todo el material de embalaje y las etiquetas temporales de la hornilla y de la estufa. Por favor, recicle el material de embalaje ya que todo lo que utiliza THERMADOR para empacar sus aparatos es reciclable.

# Instalación

## Antes de empezar

### Herramientas y piezas necesarias

Sierra caladora con hoja para madera

Cinta de pintor

Destornillador con punta de estrella

Metro

Broca de taladro de 1/8 pulg.

Guantes de trabajo

### Piezas incluidas

3 – tornillos con cabeza de estrella, 3/4 pulg. (3,175 mm)

4 – tornillos con cabeza de estrella, 1/2 pulg. (12,70 mm)  
(modelos WDC30 y 36J sólo)

1 – soporte antivuelco

1 – juego de lentillas (modelos WDC30J y 36J sólo)

1 – manual de uso y mantenimiento



### ADVERTENCIA:

#### Riesgo de descarga eléctrica

- No quite la clavija de toma de tierra
- No use un adaptador
- No use un alargador eléctrico
- El hecho de no seguir atentamente las instrucciones de este manual puede provocar un incendio, una descarga eléctrica o incluso la muerte.



### PRECAUCIÓN:

Nunca utilice el cajón calentador si no tiene instalado el panel delantero. Puede instalar un panel delantero THERMADOR® o un panel delantero personalizado.



### PRECAUCIÓN:

Antes de proceder a la instalación del aparato, apague la alimentación del interruptor automático. Bloquee el panel de servicio para impedir que se conecte accidentalmente la alimentación.



### PRECAUCIÓN:

Se recomienda la ayuda de dos personas para instalar el cajón calentador y así evitar riesgos de daños a la propiedad o de lesiones corporales.



### PRECAUCIÓN:

Para los aparatos que tienen paneles de vidrio, tenga cuidado para evitar romper el vidrio al manipularlos. El vidrio roto puede causar lesiones.

## Información general

### Exigencias eléctricas y de toma de tierra

Características del circuito: 120 V, 15 A, 60 Hz, enchufe trifásico con toma de tierra.

Se debe efectuar la toma de tierra del enchufe conforme a todos los códigos vigentes.

Es responsabilidad del instalador asegurarse de que este aparato esté instalado conforme a todos los códigos locales. Si no se aplica ningún código se, el instalador debe efectuar la conexión conforme a la última edición del Código eléctrico nacional ANSI/NFPA 70.

### Ubicación del enchufe

Se puede instalar el enchufe directamente en la pared detrás del cajón calentador. El enchufe empotrado no debe estar a una distancia superior de 5,5 pies (1,7 m) a la derecha de la abertura del cajón calentador. Los espacios libres deben ser suficientes para que se pueda enrollar el alargador eléctrico detrás del aparato.

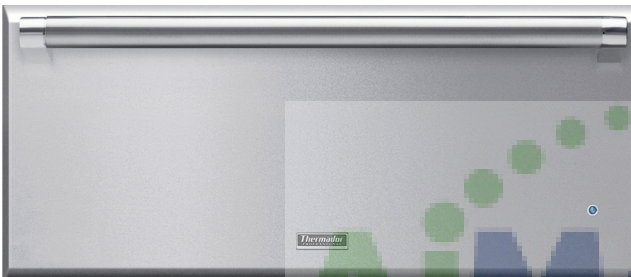
NO instale el cajón calentador en lugares húmedos o en el exterior.

# Cajón calentador de 30 pulg.

**WDC30JS**



**WDC30JP**



## Factores a tener en cuenta para la instalación

Las instrucciones se basan en las dimensiones estándares americanas de armarios de 36 pulg. (914 mm) de altura y de 24 pulg. (609 mm) de profundidad con una encimera de 25 pulg. (635 mm) de profundidad. Si se utilizan armarios no estándares, se tienen que modificar las medidas en consecuencia.

Las aberturas practicadas en la parte inferior de los armarios deben poder sostener un peso de 110 lb (50 kg).

### Instalación mural

Se pueden instalar los cajones calentadores THERMADOR® debajo de una hornilla empotrada o doble THERMADOR. Se recomienda dejar un espacio libre mínimo de una pulgada (25,4 mm) entre la parte inferior de la hornilla y la parte superior del cajón calentador.

### Instalación debajo de una encimera

Se pueden instalar los cajones calentadores THERMADOR debajo de una hornilla eléctrica o de gas THERMADOR, siempre que la parte inferior de la superficie de cocción no toque la parte superior del cajón calentador. Al instalar una superficie de cocción THERMADOR, debe asegurarse de que haya un espacio libre mínimo de una pulgada (25,4 mm) entre la parte inferior de la superficie de cocción y la parte superior del cajón calentador.

Al instalar una estufa THERMADOR PROFESSIONAL®, debe asegurarse de que haya un espacio libre mínimo de 2,75 pulg. (70 mm) entre la parte inferior de la superficie de cocción y la parte superior del cajón calentador.

## Especificaciones y dimensiones

	WDC30JS	WDC30JP
<b>Sin puerta</b>		
Anchura	29½ pulg (749 mm)	
Altura	10½ pulg (267 mm)	
Profundidad con junta	22 pulg (559 mm)	
Anchura de la abertura	28½ pulg (724 mm)	
Altura de la abertura	10 pulg (254 mm)	
Profundidad de la abertura	23 pulg (584 mm)	
Anchura del panel delantero	29¾ pulg (756 mm)	
Altura del panel delantero	11¼ pulg (286 mm)	
Profundidad del panel delantero	17 <sup>1</sup> / <sub>16</sub> pulg (37 mm)	
Espacio libre para la abertura de la puerta	580 mm for JP 570 mm for JS	
Alimentación eléctrica	120 V AC, 60Hz	
Disyuntor necesario	15 Amp	
Potencia	930	
Cable de alimentación incluido	120V-3-Wire	
Longitud del cable de alimentación	72 pulg (1,829 mm)	
Peso de expedición	80 lbs (36 kg)	



Dimensión	30 pulg (762 mm)	Dimensiones totales
A	27 <sup>5</sup> / <sub>8</sub> pulg (702 mm)	
B	21 <sup>3</sup> / <sub>4</sub> pulg (553 mm)	
C	29 <sup>3</sup> / <sub>4</sub> pulg (756 mm)	
D	18 <sup>3</sup> / <sub>4</sub> pulg (476 mm)	
E	11 <sup>1</sup> / <sub>4</sub> pulg (286 mm)	
F	29 <sup>1</sup> / <sub>2</sub> pulg (749 mm)	

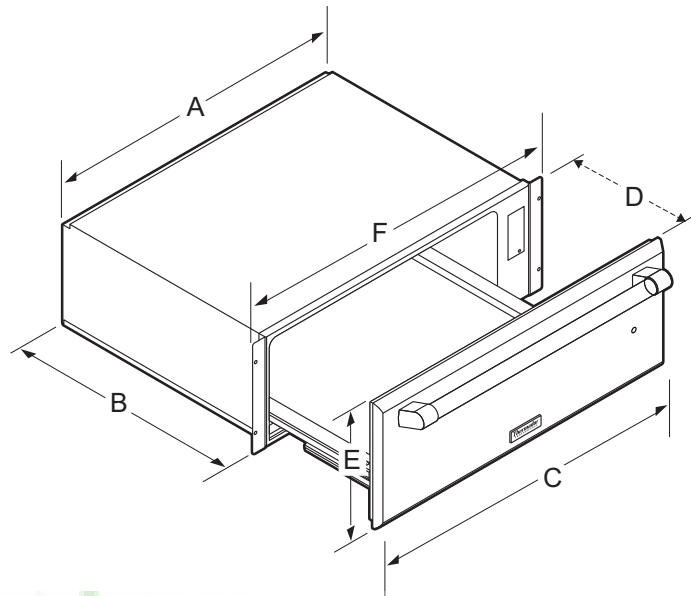


Figura 1: Dimensiones totales del cajón calentador de 30 pulg.

Dimensiones de la abertura en el armario	Dimensión	30 pulg (762mm)
<p>Localización de los cables eléctricos</p> <p>Deje un espacio libre de 4,5 pulg (144 mm) para el mango</p> <p>1<sup>1</sup>/<sub>2</sub> pulg (38 mm) min. hasta la abertura superior</p> <p>El marco de la puerta se monta sobre el armario</p>	A	28 <sup>1</sup> / <sub>2</sub> pulg (724 mm)
	B	10 pulg (254 mm)
	C	23 pulg (584 mm)
	D	1 <sup>1</sup> / <sub>8</sub> pulg (28 mm)
	E	<sup>5</sup> / <sub>8</sub> pulg (16 mm)

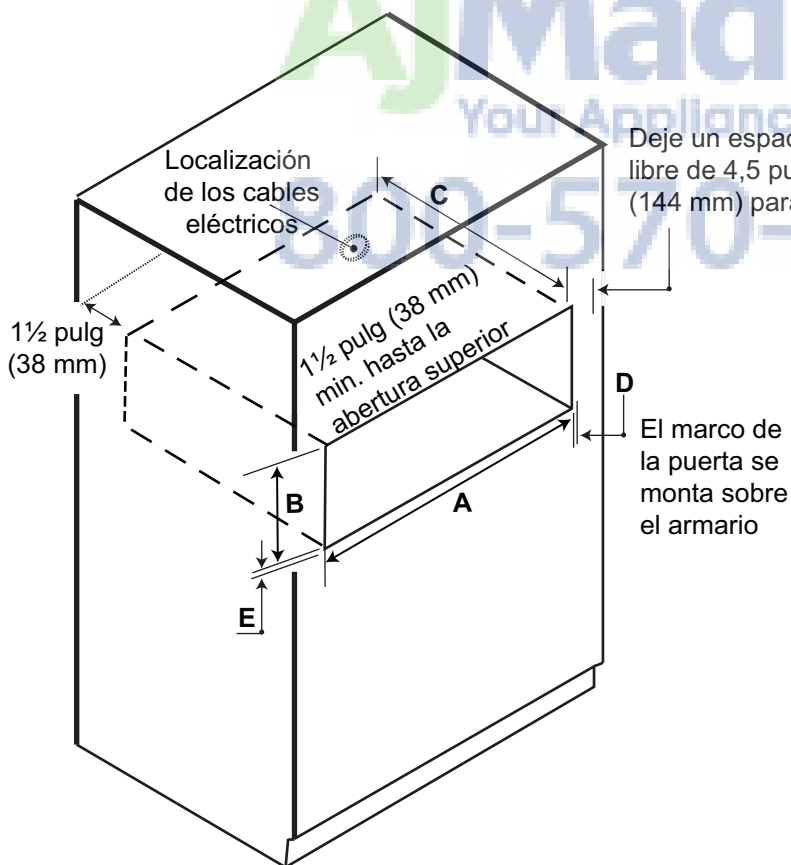


Figura 2: Dimensiones de la abertura del armario (cajón calentador de 30 pulg.)

# Cajón calentador de 36 pulg.

WDC36JP



Especificaciones y dimensiones	
	WDC36JP
<b>Sin puerta</b>	
Anchura	35½ pulg (902 mm)
Altura	10½ pulg (267 mm)
Profundidad con junta	22 pulg (559 mm)
Anchura de la abertura	34½ pulg (876 mm)
Altura de la abertura	10 pulg (254 mm)
Profundidad de la abertura	23 pulg (584 mm)
Anchura del panel delantero	35¾ pulg (907 mm)
Altura del panel delantero	11¼ pulg (286 mm)
Profundidad del panel delantero	1 <sup>7</sup> / <sub>16</sub> pulg (37 mm) or 4 <sup>1</sup> / <sub>16</sub> pulg (103 mm) w/ pro handle
Espacio libre para la abertura de la puerta	22 <sup>13</sup> / <sub>16</sub> pulg (580 mm)
Alimentación eléctrica	120 V AC, 60Hz
Disyuntor necesario	15 Amp
Potencia	1080
Cable de alimentación incluido	120V-3-Wire
Longitud del cable de alimentación	72" (1,829 mm)
Peso de expedición	86 lbs (39 kg)

## Factores a tener en cuenta para la instalación

Las instrucciones se basan en las dimensiones estándares americanas de armarios de 36 pulg. (914 mm) de altura y de 24 pulg. (609 mm) de profundidad con una encimera de 25 pulg. (635 mm) de profundidad. Si se utilizan armarios no estándares, se tienen que modificar las medidas en consecuencia.

Las aberturas practicadas en la parte inferior de los armarios deben poder sostener un peso de 110 lb (50 kg).

### Instalación mural

Se pueden instalar los cajones calentadores THERMADOR® debajo de una hornilla empotrada o doble THERMADOR. Se recomienda dejar un espacio libre mínimo de una pulgada (25,4 mm) entre la parte inferior de la hornilla y la parte superior del cajón calentador.

### Instalación debajo de una encimera

Se pueden instalar los cajones calentadores THERMADOR debajo de una hornilla eléctrica o de gas THERMADOR, siempre que la parte inferior de la superficie de cocción no toque la parte superior del cajón calentador. Al instalar una superficie de cocción THERMADOR, debe asegurarse de que haya un espacio libre mínimo de una pulgada (25,4 mm) entre la parte inferior de la superficie de cocción y la parte superior del cajón calentador.

Al instalar una estufa THERMADOR PROFESSIONAL®, debe asegurarse de que haya un espacio libre mínimo de 2,75 pulg. (70 mm) entre la parte inferior de la superficie de cocción y la parte superior del cajón calentador.

Dimensiones	36 pulg (914 mm)	Dimensiones totales
A	33 <sup>9</sup> / <sub>16</sub> pulg (853 mm)	
B	21 <sup>3</sup> / <sub>4</sub> pulg (553 mm)	
C	35 <sup>3</sup> / <sub>4</sub> pulg (908 mm)	
D	18 <sup>3</sup> / <sub>4</sub> pulg (476 mm)	
E	11 <sup>1</sup> / <sub>4</sub> pulg (286 mm)	
F	35 <sup>1</sup> / <sub>2</sub> pulg (902 mm)	

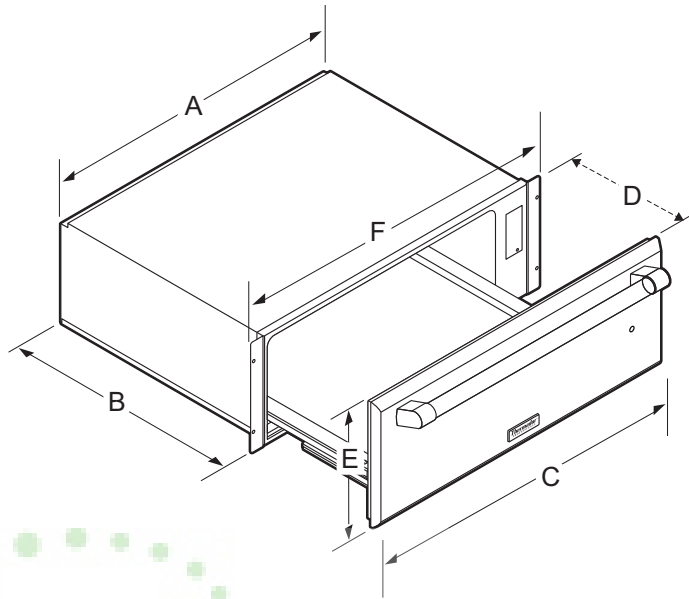


Figura 3: 36" Dimensiones totales del cajón calentador de 36 pulg

Dimensiones de la abertura en el armario	Dimensiones	36" (914mm)
	A	34 <sup>1</sup> / <sub>2</sub> pulg (876 mm)
	B	10 pulg (254 mm)
	C	23 pulg (556 mm)
	D	1 <sup>1</sup> / <sub>8</sub> pulg (28 mm)
	E	<sup>5</sup> / <sub>8</sub> pulg (16 mm)

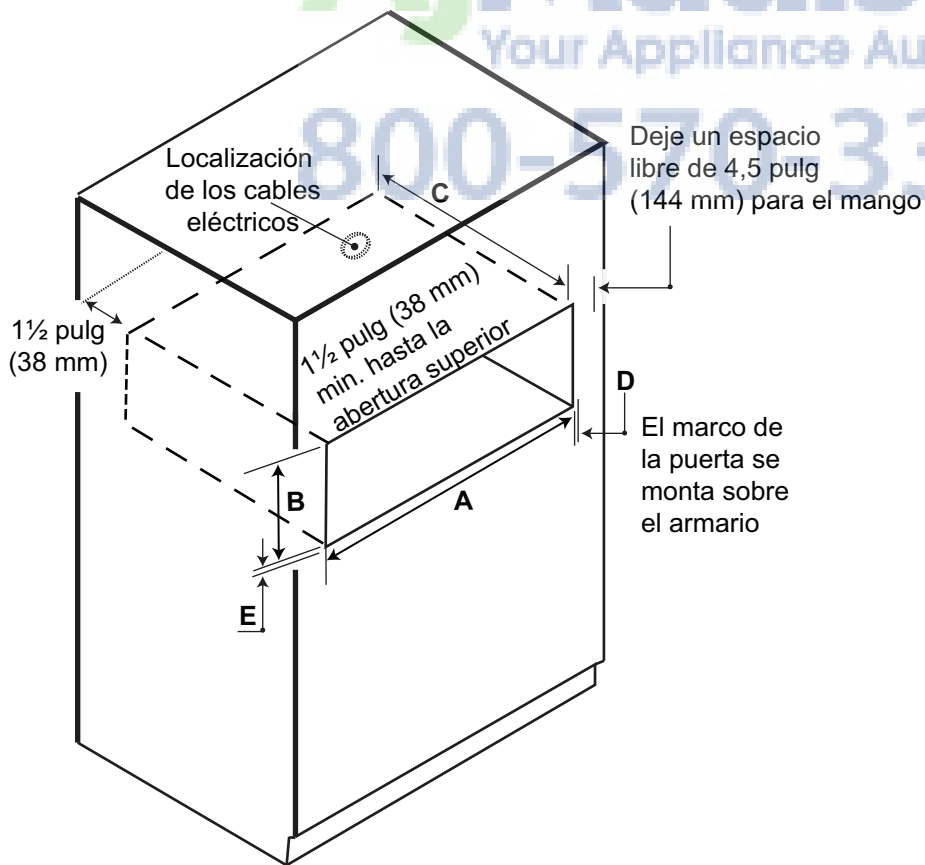


Figura 4: Dimensiones de la abertura en el armario (cajón calentador de 36 pulg.)

# Dimensiones de un cajón delantero personalizado

Especificaciones y dimensiones			
		WDC30J	WDC36J
	Anchura	29,5 pulg. (749 mm)	35,5 pulg. (902 mm)
	Altura	10,5 pulg. (267 mm)	10,5 pulg. (267 mm)
	Profundidad con junta	22 pulg. (559 mm)	22 pulg. (559 mm)
	Anchura de la abertura	28,5 pulg. (724 mm)	34,5 pulg. (876 mm)
	Altura de la abertura	10 pulg. (254 mm)	10 pulg. (254 mm)
	Profundidad de la abertura	23 pulg. (584 mm)	23 pulg. (584 mm)
<u>Mínimo</u>			
Anchura del panel delantero	29,75 pulg. (756 mm)	35-11/16 pulg. (907 mm)	
Altura del panel delantero	11,25 pulg. (286 mm)	11,25 pulg. (286 mm)	
Profundidad del panel delantero	0,75 pulg. (19 mm)	0,75 pulg. (19 mm)	
Espacio libre para la abertura de la puerta		18,75 pulg. (476 mm) más la profundidad del panel y del mango	
Alimentación eléctrica	120 VCA, 60 Hz	120 VCA, 60 Hz	
Disyuntor necesario	15 Amperios	15 Amperios	
Potencia	930	1080	
Cable de alimentación incluido	120V 3-clavijas	120V 3-clavijas	
Longitud del cable de alimentación	72 pulg. (1,829 m)	72 pulg. (1,829 m)	
Peso de expedición	65 lbs (30 kg)	75 lbs (34 kg)	

Los paneles deben respetar las exigencias siguientes:

- Tener un mango.
- Tener un grosor mínimo de 0,75 pulg. (19 mm).
- Tener rematados todos los lados.
- Si es de madera, la parte trasera debe estar sellada para evitar cualquier daño debido a la humedad.
- Resistencia a temperaturas de más de 158 °F (70 °C).

Preparación del panel delantero personalizado

1. Marque los agujeros guías en la parte trasera del panel según las dimensiones indicadas en la *Figura 5 de la página 8*.
2. Taladre los agujeros guías con una broca de 3/32 pulg. (2,5 mm). **Tenga cuidado para no taladrar el panel hasta el fondo.** La profundidad de los agujeros guías sólo deben ser de 7/16 pulg. (11 mm). *Consulte la Figura 6 de la página 8.*
3. Instale el mango del panel.

## Preparación del panel delantero personalizado

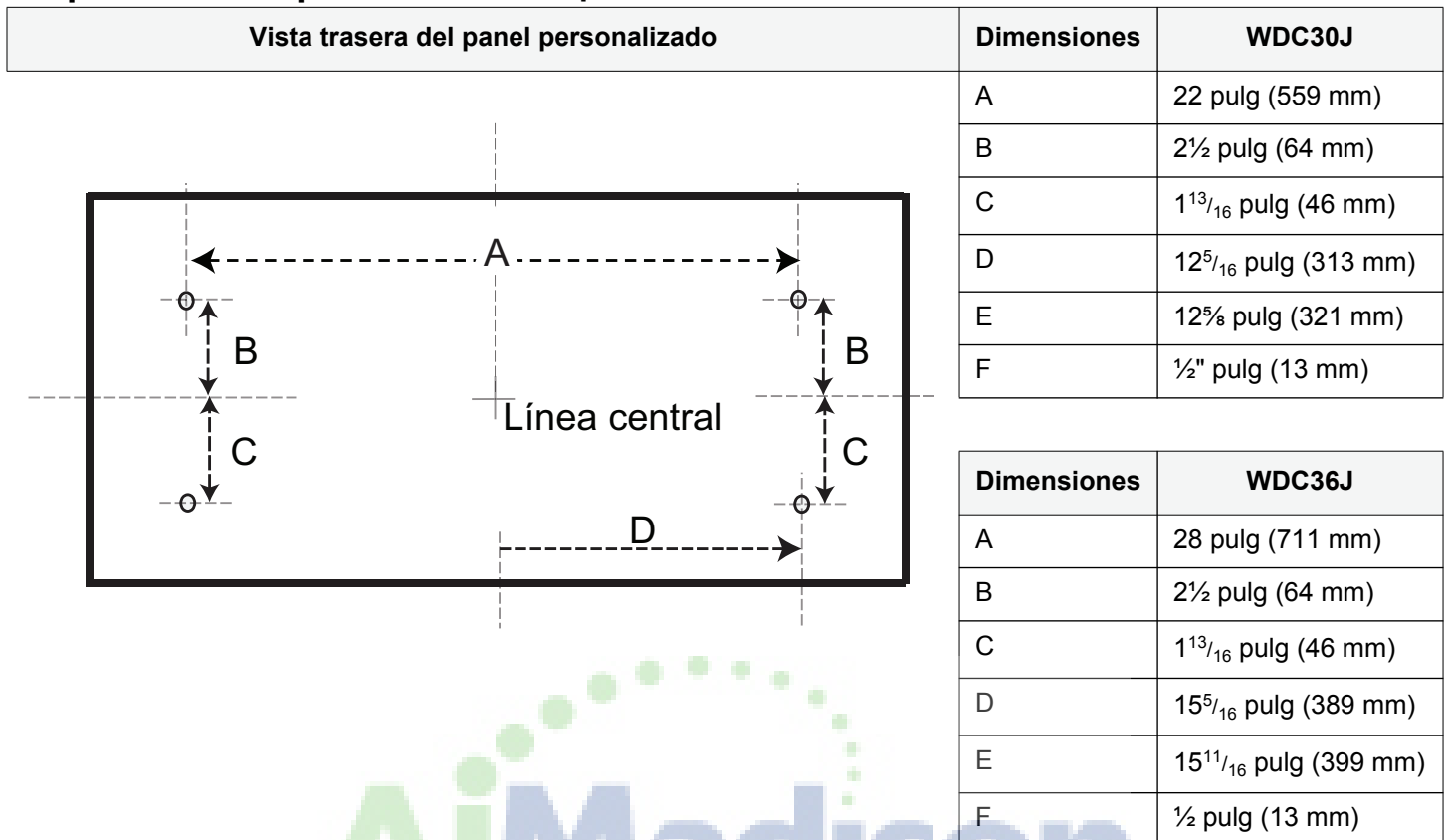


Figura 5: Dimensión de los agujeros guías y del agujero del guía de la luz testigo

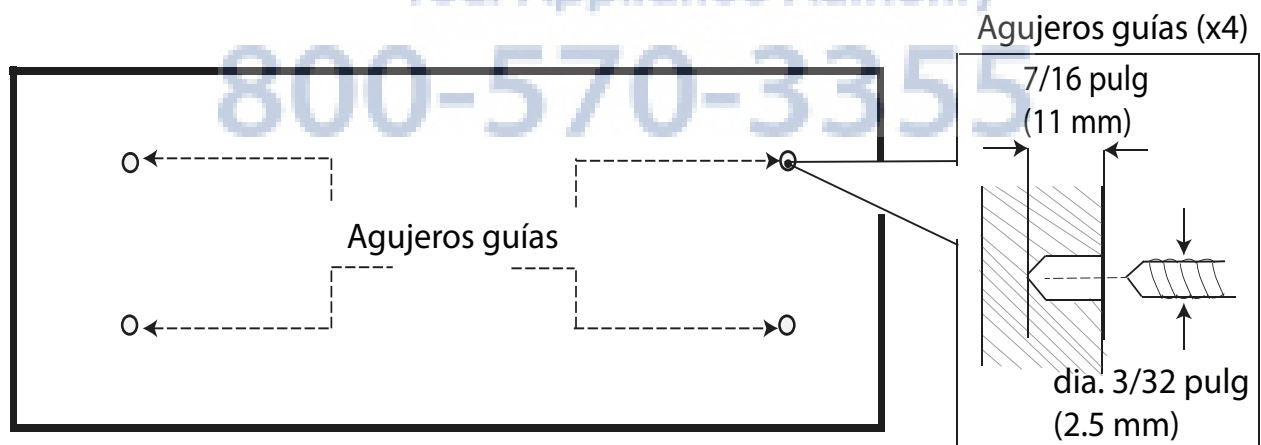


Figura 6: Perforación de los agujeros guías y del agujero guía para la luz testigo

## Instalación del panel delantero personalizado

1. En la parte trasera del panel, marque los agujeros guías del panel delantero personalizado en los lugares indicados en las *Figura 5* y *Figura 6*.
2. Taladre los agujeros guías. **Tenga cuidado para no taladrar el panel hasta el fondo!** La profundidad de los agujeros guías no debe ser mayor de 7/16 pulg. (11 mm).
3. Instale la parte frontal del cajón con los cuatro (4) tornillos de 1/2 pulg. (12,7 mm) a través de la parte trasera del panel delantero del cajón calentador (*Figura 7*).

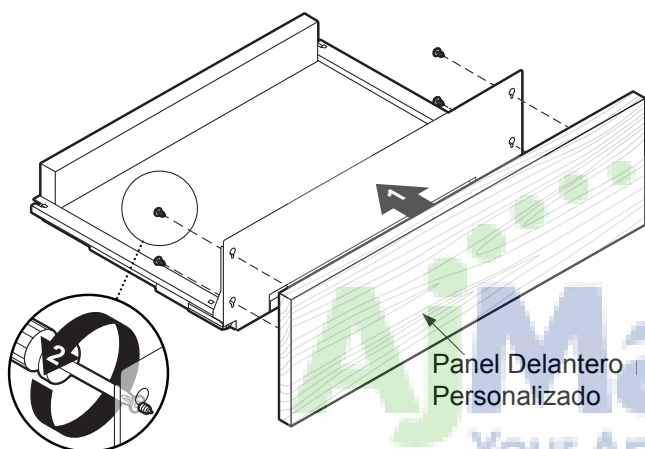


Figura 7: Instalación del panel delantero personalizado

## Instrucciones de instalación



### PRECAUCIÓN:

Antes de proceder a la instalación del aparato, apague la alimentación del panel del disyuntor. Bloquee el panel de servicio para impedir que se conecte accidentalmente la alimentación.



### PRECAUCIÓN:



Se recomienda la ayuda de dos personas para instalar el cajón calentador y así evitar riesgos de daños a la propiedad o de lesiones corporales.

1. Apague la alimentación del panel del disyuntor. Bloquee el panel de servicio para impedir que se conecte accidentalmente la alimentación.
2. Efectúe la conexión eléctrica y perfore la abertura en el armario conforme a las dimensiones del modelo indicadas en la sección "Información general".

#### -- SUGERENCIA

Los dientes de sierra pueden agrietar y mellar la parte frontal del armario. Para proteger su armario, después de haber medido y marcado una línea con un lápiz, cubra la madera con un trozo de cinta de pintor a lo largo de la línea donde va a cortar.

3. Coloque el soporte antivuelco sobre la tabla inferior de la abertura del armario, a 20-5/8 pulg. (524 mm) del borde, centrado en función de las dimensiones de cada modelo, *como se muestra en la Figura 8*.

- Fijelo con tres (3) tornillos de cabeza de estrella de 3/4 pulg. (3,175 mm) (incluidos).

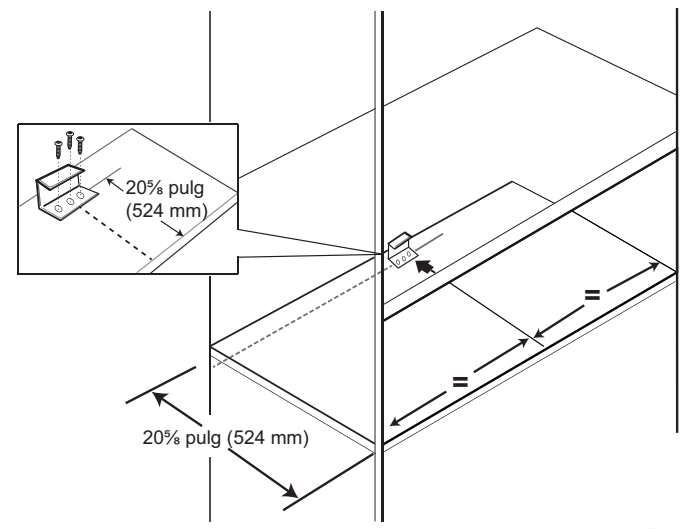


Figura 8: Ubicación del soporte antivuelco

- Inserte el cable en el enchufe trifásico con toma de tierra (consulte la sección “Exigencias eléctricas y de toma de tierra” on página 2 para las especificaciones eléctricas).

- Inserte el ensamblaje del cajón en la abertura hasta quedar al nivel del armario. **Asegúrese de que los tornillos laterales no arañen el armario.**

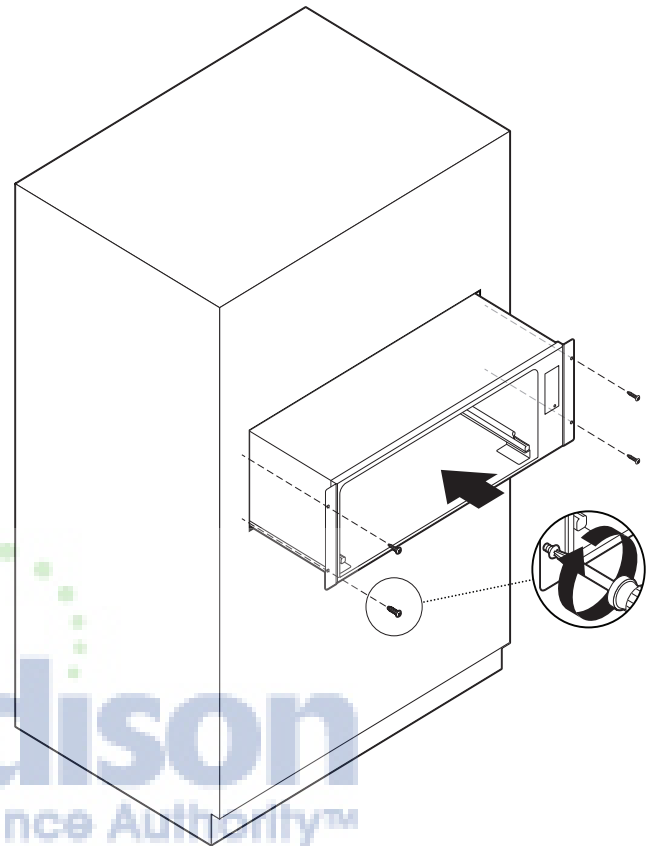


Figura 9: Instalación del cajón calentador

- Taladre los agujeros guías a través de los agujeros de las bridas laterales con una broca para madera de 1/8 pulg. (3,175 mm).
- Atornille cuatro (4) tornillos de cabeza de estrella de acero inoxidable sobre los agujeros del panel delantero (Figure 9).
- Conecte la alimentación en el disyuntor.
- Encienda el cajón calentador. La luz testigo y el temporizador deberían encenderse inmediatamente. Cierre el cajón durante unos treinta segundos, luego compruebe que esté caliente.

# Lista de comprobaciones finales para el instalador

- Deben respetarse los espacios libres indicados respecto a las superficies de los armarios.
- El aparato debe estar nivelado.
- No ha de quedar material de embalaje en el aparato.

## Electricidad

- Use un enchufe protegido contra las subidas de tensión en el cable de alimentación
- Toma de tierra adecuada.
- El propietario debe saber dónde está el disyuntor principal.

## Funcionamiento

- El mango del cajón está nivelado y centrado. El cajón se abre y cierra adecuadamente.
- INSTALADOR:** Escriba el número de modelo y el número de serie de la placa de señalización en el MANUAL DE USO Y CUIDADO. Deje el MANUAL DE USO Y CUIDADO al dueño del aparato.

## Mantenimiento

Si los elementos o la luz testigo del cajón calentador no se enciendan, compruebe la alimentación eléctrica para ver si el disyuntor está mal puesto.

Consulte las secciones de solución de problemas y la garantía del manual de uso y cuidado.

Para ponerse en contacto con un agente de servicio, consulte los datos que hay en el dorso de este manual. Cuando llame, tenga a mano la información de la placa de señalización de su aparato.

## Placa de señalización

La placa de señalización indica el número de modelo y de serie del aparato. Consulte la placa de señalización cuando llame para solicitar servicio. Se encuentra en el panel interior izquierdo de la carcasa del cajón.

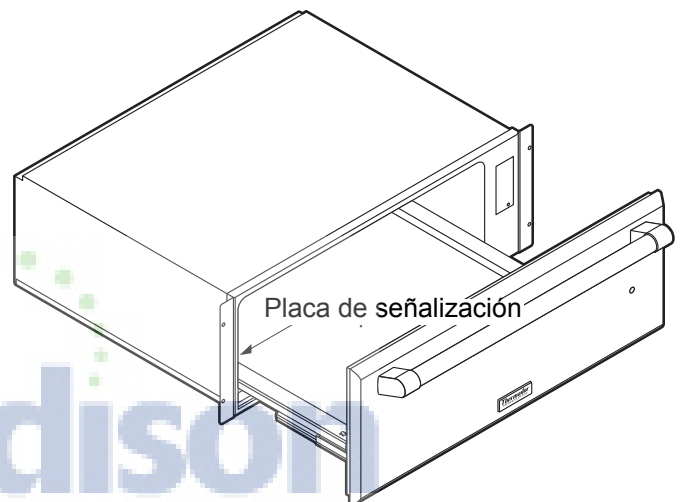


Figura 10: Etiqueta de la placa de señalización



---

# Limpieza y protección de las superficies exteriores

Se pueden limpiar las superficies de acero inoxidable con un trapo húmedo y jabonoso. Enjuagarlas con agua limpia antes de secar con un trapo suave para evitar la formación de marcas de agua. Cualquier detergente suave para vidrio quitará huellas dactilares y manchas.

Para decoloraciones o suciedades persistentes, consulte el manual de uso y cuidado.

Para sacar brillo y proteger el acero inoxidable, use un detergente o una cera como Stainless Steel Magic®.

NO deje que la suciedad permanezca en las superficies largos períodos de tiempo.

NO use fibra metálica normal o cepillos metálicos. Se pueden quedar pegados a la superficie trozos pequeños de metal y oxidarla.

NO permita que soluciones salinas, desinfectantes, blanqueadores o compuestos de detergentes tengan un contacto prolongado con el acero inoxidable. Muchos de estos compuestos contienen químicos dañinos. Enjuague con agua después de cada exposición y seque con un trapo limpio.



Las especificaciones sirven exclusivamente para fines de planificación. Consulte las instrucciones de instalación y con su proveedor de encimeras antes de hacer cortes en la encimera. Para obtener información más detallada, consulte las instrucciones de instalación que se incluyen con el producto o escriba a THERMADOR® indicando el número de modelo.

Nos reservamos el derecho a modificar las especificaciones o el diseño de nuestros productos sin previo aviso. Algunos modelos están certificados para ser usados en Canadá. THERMADOR no es responsable de los productos transportados desde Estados Unidos para su uso en Canadá. Infórmese mediante su distribuidor Canadiense local.

# THERMADOR® Support/Entretien/Mantenimiento

## Service

We realize that you have made a considerable investment in your kitchen. We are dedicated to supporting you and your appliance so that you have many years of creative cooking.

Please don't hesitate to contact our excellent STAR® Customer Support Department if you have any questions or in the unlikely event that your THERMADOR® appliance needs service. Our service team is ready to assist you.

**USA:**  
**800-735-4328**  
**www.thermador.com/support**

**Canada:**  
**800-735-4328**  
**www.thermador.ca**

## Parts & Accessories

Parts, filters, descalers, stainless steel cleaners and more can be purchased in the THERMADOR eShop or by phone.

**USA:**  
**www.thermador-eshop.com**

**Canada contact:**  
**AP Wagner 800-268-7513**  
**or**  
**Reliable Parts 800-663-6060**

## Entretien

Nous savons bien que vous avez investi une somme considérable dans votre cuisine. Nous nous faisons un devoir de vous soutenir pour que vous puissiez profiter pleinement d'une cuisine où vous pourrez exprimer toute votre créativité de nombreuses années durant.

N'hésitez pas à communiquer avec l'un des membres chevronnés de notre équipe de soutien au client si vous avez des questions ou dans le cas plutôt improbable où votre appareil THERMADOR<sup>MC</sup> aurait besoin d'entretien. Notre équipe sera prête à vous aider.

**USA:**  
**800-735-4328**  
**www.thermador.com/support**

**Canada:**  
**800-735-4328**  
**www.thermador.ca**

## Pièces et accessoires

Vous pouvez vous procurer par téléphone ou à notre boutique THERMADOR en ligne des pièces, des filtres, des produits nettoyants pour acier inoxydable et plus encore.

**USA:**  
**www.thermador-eshop.com**

**Canada contact:**  
**AP Wagner 800-268-7513**  
**or**  
**Reliable Parts 800-663-6060**

## Mantenimiento

Nos damos cuenta que Usted invirtió una suma considerable en su cocina. Nos dedicamos a atenderle para que pueda sacar provecho de una cocina donde podrá expresar toda su creatividad durante muchos años.

Por favor, no dude en ponerse en contacto con uno de nuestros empleados ESTRELLAS® de atención al cliente si tiene preguntas o en el caso más bien improbable que su aparato THERMADOR® necesite mantenimiento. Nuestro equipo estará listo para ayudarle.

**USA:**  
**800-735-4328**  
**www.thermador.com/support**

**Canada:**  
**800-735-4328**  
**www.thermador.ca**

## Piezas y accesorios

Usted puede comprar piezas, filtros, productos de limpieza para acero inoxidable por teléfono o en nuestra tienda THERMADOR en línea.

**USA:**  
**www.thermador-eshop.com**

**Canada contact:**  
**AP Wagner 800-268-7513**  
**or**  
**Reliable Parts 800-663-6060**

**Thermador** 

**REAL INNOVATIONS FOR REAL COOKS™**

1901 Main Street, Irvine, Suite 600, CA 92614 • 800-735-4328 • www.thermador.com  
9000734347 • Rev. A • 5U041M • © BSH Home Appliances Corporation, 2012