

WD205CK

LG SIGNATURE SideKick™ Pedestal Washer

LG SIGNATURE

KEY FEATURES

- 1.0 cu. ft. Right Size Capacity
- Premium Black Stainless Steel
- Compatible with LG Signature Washer (WM9500HKA)
- Direct Drive Motor with 10-Year Limited Warranty
- Magnetic Remote Control
- Specialty Cycles – Perfect for Intimates, Hand Wash or Active Wear
- SmartDiagnosis™
- Electronic Control Panel with Dual LED Display
- NeveRust™ Stainless Steel Drum



TWINWash™
Wash Two Loads at Once

1.0 cu. ft. Capacity

Touch Control Panel with LED



PRODUCT FEATURES

CAPACITY	
Capacity	1.0 cu. ft.
APPEARANCE	
Design Look	Front Control
Electronic Control Panel w/ LED Display	Yes
Touch Buttons	Yes
WASH PROGRAMS	
3 Motion Technology	Yes
No. of Programs	6
Wash Programs	Normal, Intimates, Hand Wash, Active Wear, Rinse + Spin, Tub Clean
No. of Options	3
Options	Warm Water, Extra Rinse, Child Lock
No. of Wash/Rinse Temps	2 (Warm, Cold)
CONVENIENCE FEATURES	
End of Cycle Signal	Yes
Child Lock	Yes
Auto Suds Removal	Yes
Forced Drain System	Yes
Leveling Legs	4 Adjustable Legs
SmartDiagnosis™	Yes
MOTOR AND AGITATOR	
Motor Type	Direct Drive Motor
Motor Speed	Variable
Max RPM	700
MATERIALS AND FINISHES	
NeveRust™ Stainless Steel Drum	Yes
Cabinet	PCM
Control Panel	Plastic
Top Plate	Top Plate Painted
Door Rim	Plastic / Chrome
Door Cover	Transparent Tinted Glass
Available Colors	Black Stainless Steel (K)

POWER SOURCE	
Ratings	UL Listed
Electrical Requirements	120V, 5 Amps
Type	Electric
ACCESSORIES	
Magnetic Remote Control	Yes
DIMENSIONS/CLEARANCES/WEIGHTS	
Product (WxHxD)	29" x 14 1/8" x 30 7/8" (50 9/16 with drawer open)
Carton (WxHxD)	30 7/8" x 16 13/16" x 33 1/16"
Weight (Product/Carton)	105 lbs / 115 lbs
LIMITED WARRANTY	
Limited Warranty	1 Year Parts and Labor, 10 Years Motor, Lifetime on Drum
UPC CODES	
WD205CK SideKick™ Pedestal	048231 017121
RCW1 Remote Control	048231 017138
WM9500HKA Washer	048231 017039
WDP5K Pedestal	048231 018364
DLEX9500K Electric Dryer	048231 017046
DLGX9501K Gas Dryer	048231 017053

WD205CK

LG SIGNATURE SideKick™ Pedestal Washer

QUICK INSTALL & CLEARANCES

For full installation directions/clearances please refer to the corresponding User Manual and Installation Guide.

DIMENSIONS

Product (WxHxD)	29" x 14 1/8" x 30 7/8"
Depth with Drawer Open	50 9/16"
Carton Dimensions (in) (W x H x D)	30 7/8" x 16 13/16" x 33 1/16"

POWER RATINGS

Ratings	UL Listed
Electrical Requirements	120V, 5 Amps

CHOOSING THE PROPER LOCATION

WARNING

- Two or more people are required when moving, unpacking, and stacking the washer. Failure to follow this warning may result in damage to property or serious bodily harm.
- Store and install the washer where it will not be exposed to weather or to temperatures below freezing. Failure to follow this warning can cause serious injury, fire, electric shock, or death.
- Properly ground the washer to conform with all electric governing codes and ordinances. Failure to follow this warning can cause serious injury, fire, electric shock, or death.
- To reduce the risk of electric shock, do not install the washer in humid spaces. Failure to follow this warning can cause serious injury, fire, electric shock, or death.
- To ensure proper air flow, do not block the large opening on the bottom of the washer with carpeting or other materials.
- Do not remove the ground prong. Do not use a 2-prong adapter or 2-wire extension cord. Failure to follow these warnings can cause serious injury, fire, electric shock, or death.

CAUTION

- This pedestal washer must be installed underneath a matching front-loading LG washing machine manufactured after 2009. (The 29" wide machine must be stacked under a 29" wide LG front-loading washer. The 27" wide machine must be stacked under a 27" wide LG front-loading washer.)
- The pedestal washer will not work as a standalone unit.
- The pedestal washer must be stacked under an LG brand appliance in order to operate properly.

Power Outlet

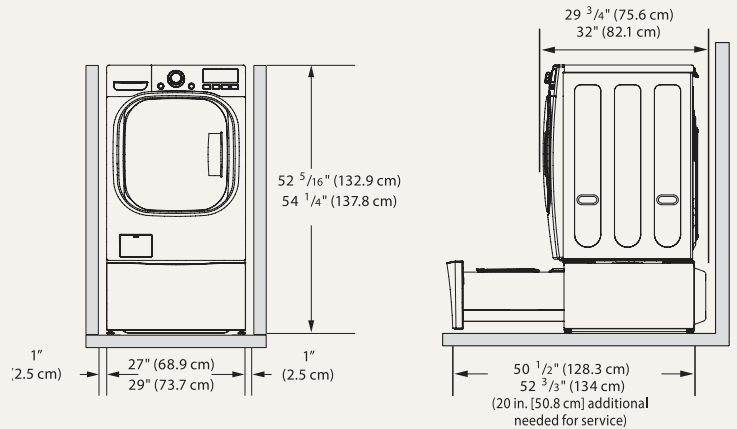
- The power outlet must be within 60 in. (1.5 m) of either side of the washer.
- The appliance and outlet must be positioned so that the plug is easily accessible.

Flooring

- To minimize noise and vibration, the washer MUST be installed on a solidly constructed floor.
- Allowable slope under the entire washer is a maximum 1 inch. difference from side to side or from front to back.
- Installing on carpeting and soft tile surfaces is not recommended.
- Never install the washer on a platform or weakly supported structure.



PRODUCT DIMENSIONS



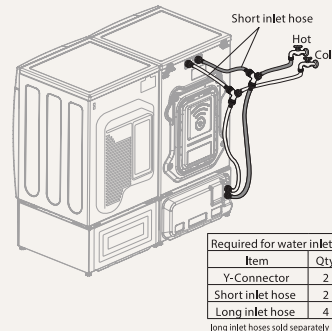
- To ensure sufficient clearance for water lines and airflow, allow minimum clearances of at least 1 in. (2.5 cm) at the sides and 4 in. (10 cm) behind the unit. Be sure to allow for wall, door, or floor moldings that may increase the required clearances.

OVERVIEW OF CONNECTIONS

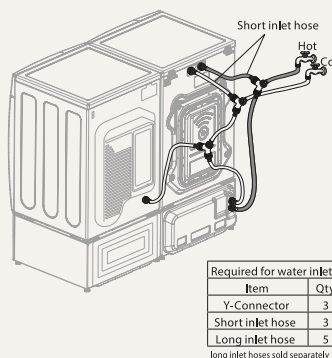
Please read the Owner's Manual installation instructions first after purchasing this product or transporting it to another location.

CONNECTING THE WATER LINES WITH FULL-SIZE APPLIANCES

- Front-loading washer and pedestal washer with dryer.

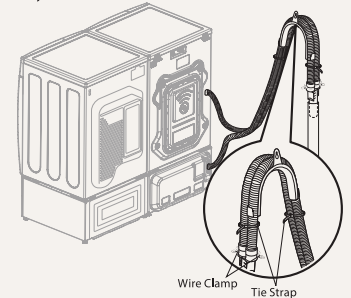


- Front-loading washer and pedestal washer with Turbo Steam dryer

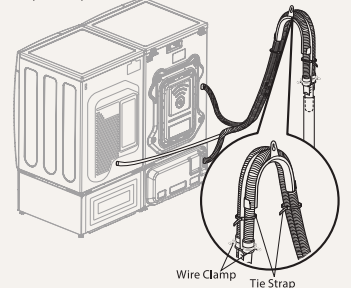


CONNECTING THE DRAIN HOSE WITH FULL-SIZE WASHER

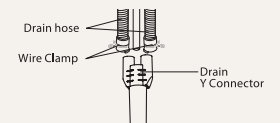
- Front-loading washer and pedestal washer with dryer.



- Front-loading washer and pedestal washer with hybrid dryer



DETAIL VIEW OF DRAIN CONNECTOR CONNECTION



For narrow standpipes, insert hybrid dryer drain hose in center of drain connector. DO NOT insert dryer drain hose further than 1 inch (2.5 cm). Use tie straps to keep hoses in place.