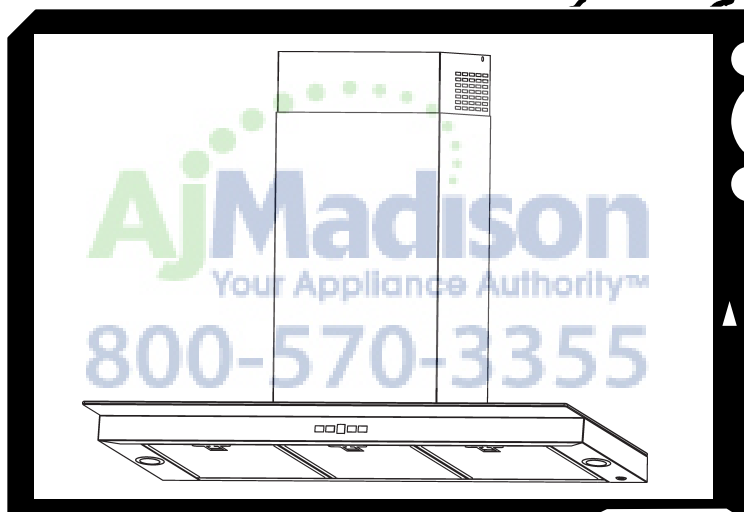


best®



Model WC44

ENGLISH.....	3
FRANÇAIS.....	25
ESPAÑOL.....	49

In USA - BEST Hartford, Wisconsin

In CANADA - BEST Drummondville, QC, Canada

REGISTER YOUR PRODUCT ONLINE AT : www.BestRangeHoods.com/register
For additional Information visit www.BestRangeHoods.com



800-570-3355

READ AND SAVE THESE INSTRUCTIONS

⚠ INTENDED FOR DOMESTIC COOKING ONLY ⚠

⚡ ⚠ WARNING

TO REDUCE THE RISK OF FIRE, ELECTRIC SHOCK, OR INJURY TO PERSONS, OBSERVE THE FOLLOWING:

1. Use this unit only in the manner intended by the manufacturer. If you have questions, contact the manufacturer at the address or telephone number listed in the warranty.
2. Before servicing or cleaning unit, switch power off at service panel and lock service panel to prevent power from being switched on accidentally. When the service disconnecting means cannot be locked, securely fasten a prominent warning device, such as a tag, to the service panel.
3. Installation work and electrical wiring must be done by a qualified person(s) in accordance with all applicable codes and standards, including fire-rated construction codes and standards.
4. Sufficient air is needed for proper combustion and exhausting of gases through the flue (chimney) of fuel burning equipment to prevent backdrafting. Follow the heating equipment manufacturer's guidelines and safety standards such as those published by the National Fire Protection Association (NFPA), and the American Society for Heating, Refrigeration and Air Conditioning Engineers (ASHRAE), and the local code authorities.
5. When cutting or drilling into wall or ceiling, do not damage electrical wiring and other hidden utilities.
6. Ducted fans must always be vented to the outdoors.
7. Do not use this unit with any separate solid-state speed control device.
8. To reduce the risk of fire, use only steel ductwork.

GROUNDING INSTRUCTIONS

This appliance must be grounded. In the event of an electrical short circuit, grounding reduces the risk of electrical shock by providing an escape wire for the electric current. This appliance is equipped with a cord having a grounding wire with a grounding plug. The plug must be plugged into an outlet that is properly installed and grounded.

WARNING - Improper grounding can result in a risk of electric shock.

Consult a qualified electrician if the grounding instructions are not completely understood, or if doubt exists as to whether the appliance is properly grounded.

Do not use an extension cord. If the power supply cord is too short, have a qualified electrician install an outlet near the appliance.

TO REDUCE THE RISK OF A RANGE TOP GREASE FIRE:

- A. Never leave surface units unattended at high settings. Boilovers cause smoking and greasy spillovers that may ignite. Heat oils slowly on low or medium settings.
- B. Always turn hood ON when cooking at high heat or when flambeing food (i.e. Crepes Suzette, Cherries Jubilee, Peppercorn Beef Flambe').
- C. Clean ventilating fans frequently. Grease should not be allowed to accumulate on fan or filter.
- D. Use proper pan size. Always use cookware appropriate for the size of the surface element.

WARNING

TO REDUCE THE RISK OF INJURY TO PERSONS IN THE EVENT OF A RANGE TOP GREASE FIRE, OBSERVE THE FOLLOWING:*

1. **SMOTHER FLAMES** with a close-fitting lid, cookie sheet, or metal tray, then turn off the burner. **BE CAREFUL TO PREVENT BURNS.** If the flames do not go out immediately, **EVACUATE AND CALL THE FIRE DEPARTMENT.**
2. **NEVER PICK UP A FLAMING PAN** - You may be burned.
3. **DO NOT USE WATER**, including wet dishcloths or towels - violent steam explosion will result.
4. Use an extinguisher **ONLY** if:
 - A. You know you have a Class ABC extinguisher and you already know how to operate it.
 - B. The fire is small and contained in the area where it started.
 - C. The fire department is being called.
 - D. You can fight the fire with your back to an exit.

* Based on "Kitchen Fire Safety Tips" published by NFPA.

CAUTION

1. For indoor use only.
2. To reduce risk of fire and to properly exhaust air, be sure to duct air outside. Do not vent exhaust air into spaces within walls or ceilings or into attics, crawl spaces, or garages.
3. Take care when using cleaning agents or detergents.
4. Avoid using food products that produce flames under the Range Hood.
5. For general ventilating use only. Do not use to exhaust hazardous or explosive materials and vapors.
6. To avoid motor bearing damage and noisy and/or unbalanced impellers, keep drywall spray, construction dust, etc. off power unit.
7. Your hood motor has a thermal overload which will automatically shut off the motor if it becomes overheated. The motor will restart when it cools down. If the motor continues to shut off and restart, have the hood serviced.
8. For best capture of cooking impurities, the bottom of the hood should be a minimum of 24" and a maximum of 30" above the cooking surface.
9. Two installers are recommended because of the large size and weight of this hood.
10. This product is equipped with a thermostat which may start blower automatically. To reduce the risk of injury and to prevent power from being switched on accidentally, switch power off at service panel and lock or tag service panel.
11. Please read specification label on product for further information and requirements.
12. **EXTERNAL BLOWER MODELS ONLY:** To reduce risk of fire and electric shock, install this range hood only with Best Exterior Blower Models EB6, EB9, EB12 or EB15 or Best In-Line Blower Models ILB3, ILB6, ILB9 or ILB11. Other blowers cannot be substituted. (Blower sold separately)

LED LAMPS

The hood is provided with LED lamps which require no maintenance.

CLEANING AND MAINTENANCE

Proper maintenance of the Range Hood will assure proper performance of the unit.

Motor

The motor is permanently lubricated and never needs oiling. If the motor bearings make excessive or unusual noise, replace the motor with the exact service motor. The impeller should also be replaced.

Grease Filter

The grease filters should be cleaned frequently. Use a warm detergent solution. Grease filters are dishwasher safe.

Clean all-metal filters in the dishwasher using a non-phosphate detergent. Discoloration of the filter may occur if using phosphate detergents, or as a result of local water conditions - but this will not affect filter performance. This discoloration is not covered by the warranty. See "INSTALL FILTERS" section for removal and installation instructions.

Non-ducted Recirculation Filter

The non-ducted recirculation filter should be changed every 6 months. Replace more often if your cooking style generates extra grease, such as frying and wok cooking. See "INSTALL FILTERS" section for removal and installation instructions.

Stainless Steel Cleaning

DO:

- Regularly wash with clean cloth or rag soaked with warm water and mild soap or liquid dish detergent.
- Always clean in the direction of original polish lines.
- Always rinse well with clear water (2 or 3 times) after cleaning. Wipe dry completely.
- You may also use a specialized household stainless steel cleaner.

DON'T:

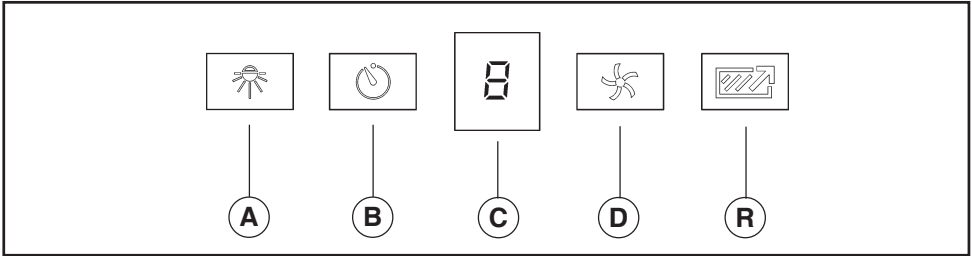
- Use any steel or stainless steel wool or any other scrapers to remove stubborn dirt.
- Use any harsh or abrasive cleansers.
- Allow dirt to accumulate.
- Let plaster dust or any other construction residues reach the hood. During construction/renovation, cover the range hood to make sure no dust sticks to the stainless steel surface.

Avoid: When choosing a detergent

- Any cleaners that contain bleach will attack stainless steel
- Any products containing: chloride, fluoride, iodide, bromide will deteriorate surfaces rapidly.
- Any combustible products used for cleaning such as acetone, alcohol, ether, benzol, etc., are highly explosive and should never be used close to a range.

OPERATION

Controls (Fig.1)



Button A = Lights on/off.

Button B = Activates/Deactivates the delay-off feature. Press once (when blower is on) to activate the delay-off feature. The selected speed level that is displayed in display "C" will blink when this feature is activated. After 10 minutes, the blower will then turn off. Delay can be deactivated at any time by pressing the button again.

Display C = Indicates the selected speed of the blower 1, 2, 3, or b for boost. "-" indicates the need to clean the grease filter or replace the non-duct filter.

Button D = Turns on the blower. Hood will turn on to the last speed selected. The blower speed will change each time the button is pushed (from 1 to "b"). To turn the blower off, press and hold button for approximately 2 seconds.

Button R = Filter clean indicator reset. Press and hold for 2 seconds to reset the indicator. Note: The "-" must be displayed when pressing the reset button.

Auto Shut-Off Feature

If the blower and/or the lights are on continuously for 10 hours without any user interaction with the controls, the hood will automatically shut off. Press any control button to re-activate the hood.

HEAT SENTRY™

Your hood is equipped with a HEAT SENTRY™ thermostat. This thermostat is a device that will turn on or speed up the blower if it senses excessive heat above the cooking surface.

1) If blower is OFF - it turns blower ON to HIGH speed.

2) If blower is ON at a lower speed setting - it turns blower up to HIGH speed.

When the temperature level drops to normal, the blower will return to its original setting.

WARNING

The HEAT SENTRY thermostat can start the blower even if the hood is turned OFF. When this occurs, it is impossible to turn the blower OFF with its switch. If you must stop the blower, do it from the main electrical panel.

PREPARE THE HOOD

Unpack hood and check contents.

You should receive:

- 1 - Hood
- 1 - Decorative Flues
- 1 - Parts Bag (B080810993) containing:
 - 2 - Mounting Brackets
 - 1 - Damper Kit
 - 1 - Flue Mounting Bracket Assembly
 - 8 - Mounting Screws (4.8 x 38mm Pan Head)
 - 4 - Mounting Screws (3.9 x 9.5mm Pan Head)
 - 4 - Mounting Screws (3.9 x 6mm Flat Head)
 - 8 - Drywall Anchors
 - 2 - Flat Washer
- 1 - Installation Instructions

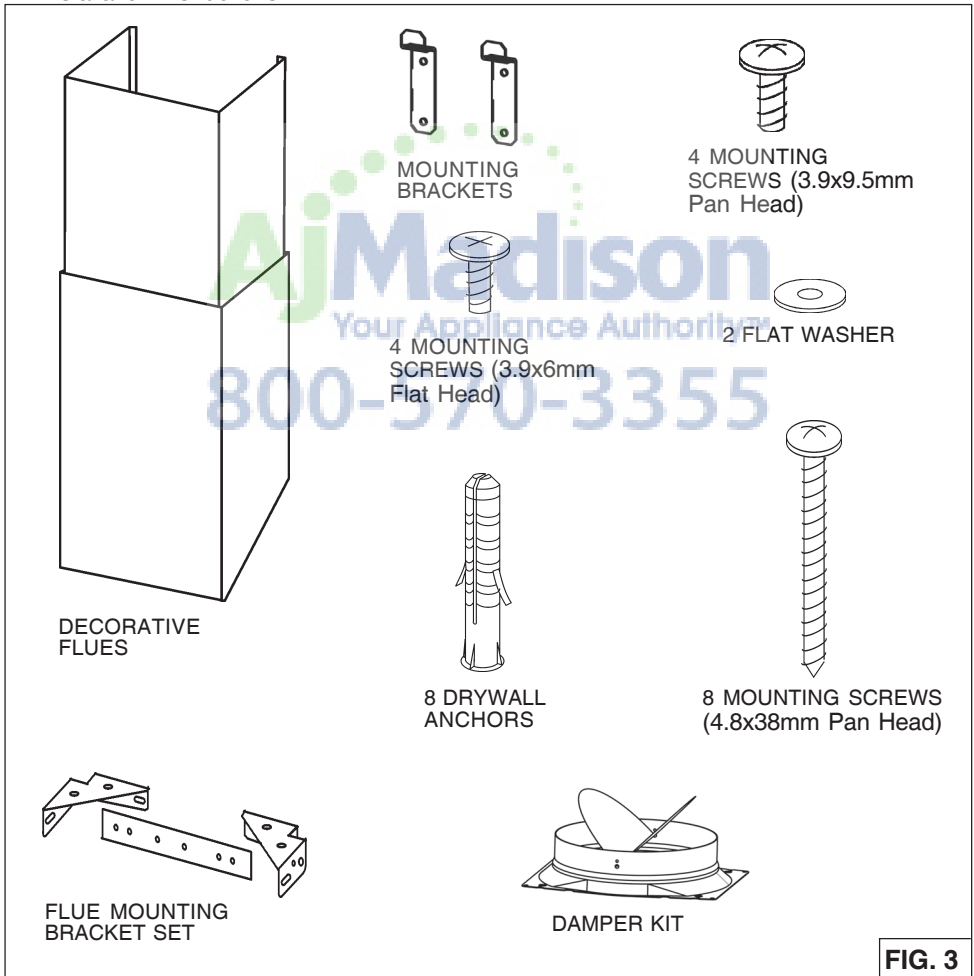


FIG. 3

EXTERIOR AND IN-LINE BLOWER SELECTION WC44E Series

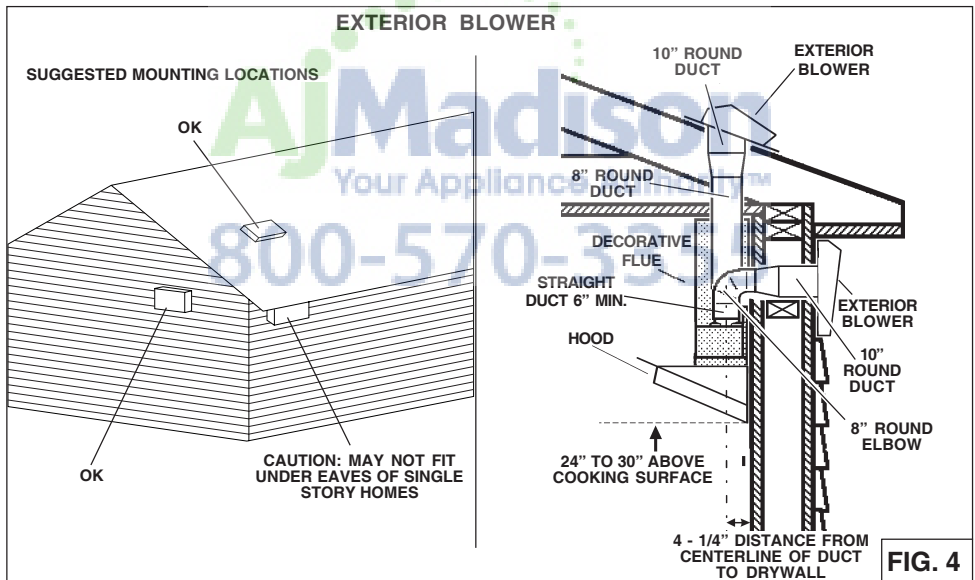
CAUTION: To reduce risk of fire and electric shock, install this range hood only with Best Exterior Blower Models EB6, EB9, EB12 or EB15, and Best In-Line Blower Models ILB3, ILB6, ILB9 or ILB11. Other blowers cannot be substituted.

The blower must be **UL** listed for Canadian and U.S. use, and evaluated for use with solid state speed control, rated 120V, 60 Hz, 6.0 A max.

INSTALL THE DUCTWORK WC44E Series

NOTE: To reduce the risk of fire, use only metal ductwork.

1. Choose the location where the Exterior Blower or In-Line Blower will be mounted. See illustrations below for mounting location suggestions and restrictions.
2. A straight, short duct run will allow the hood to perform most efficiently.
3. Long duct runs, elbows and transitions will reduce the performance of the hood. Use as few of them as possible. Larger ducting may be required for best performance with long duct runs.
4. After the Exterior or In-Line Blower has been installed, connect round metal ductwork and work back towards the hood location. Use duct tape to seal joints between ductwork sections.



IN-LINE BLOWER

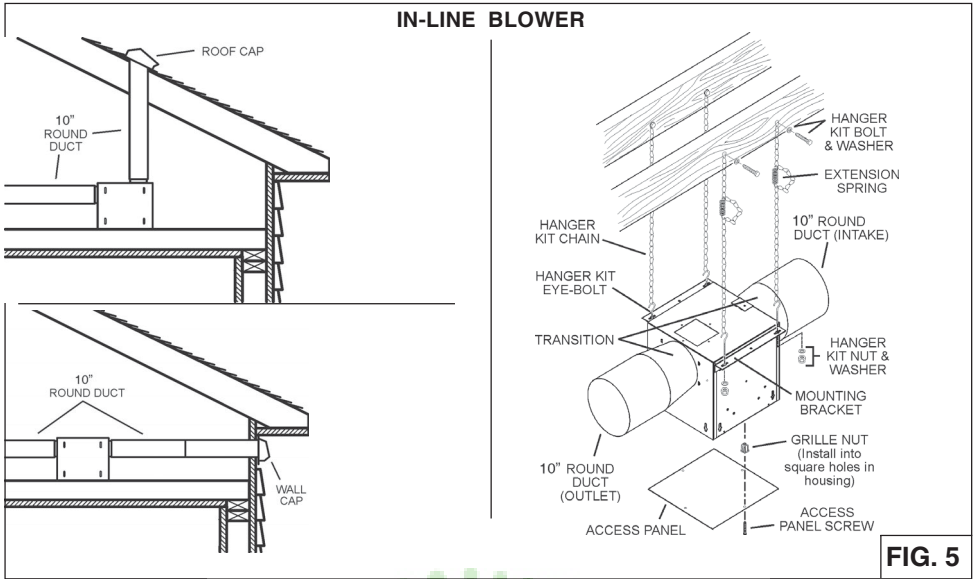


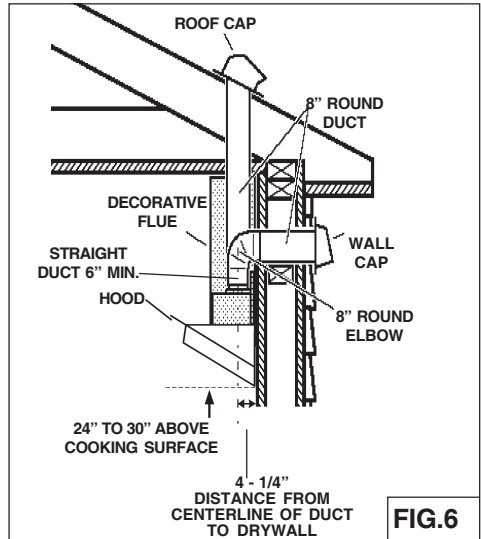
FIG. 5

AjMadison
Your Appliance Authority™
800-570-3355

INSTALL THE DUCTWORK

NOTE: To reduce the risk of fire, use only metal ductwork.

1. Decide where the ductwork will run between the hood and the outside (Fig.6).
2. A straight, short duct run will allow the hood to perform most efficiently.
3. Long duct runs, elbows, and transitions will reduce the performance of the hood. Use as few of them as possible. Larger ducting may be required for best performance with longer duct runs.
4. Install a roof or wall cap. Connect round metal ductwork to cap and work back towards hood location. Use duct tape to seal the joints between ductwork sections.

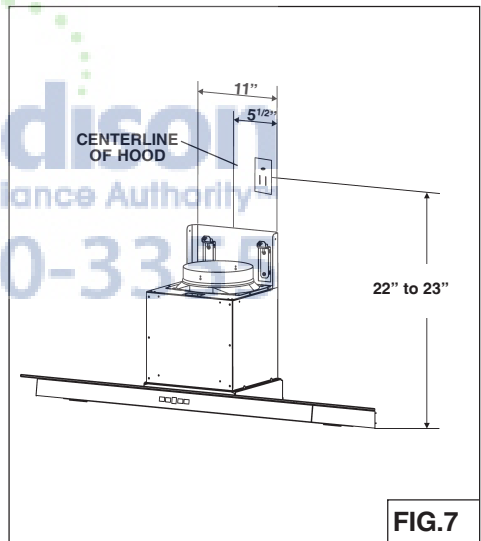


INSTALL ELECTRICAL

DUCTED and NON-DUCTED HOODS

⚠ WARNING: Electrical wiring must be done by a qualified person(s) in accordance with all applicable codes and standards. This range hood must be properly grounded. Turn off electrical power at service entrance before wiring.

1. Plan where the hood will be located above the cook top. Refer to the "INSTALL MOUNTING BRACKET" section for hood mounting height options.
2. Install a standard 2" x 4" wall outlet box and 3-blade 125 volt, 15 Amp grounded receptacle (Fig.7).
3. Mount the center of the wall outlet 22" to 23" above the bottom of the hood.
4. Locate the box and the receptacle within boundary shown and off center of the ductwork (to allow for power cord plug and flue clearance).



EXTERNAL BLOWER ELECTRICAL CONNECTIONS

Blower connection at hood:

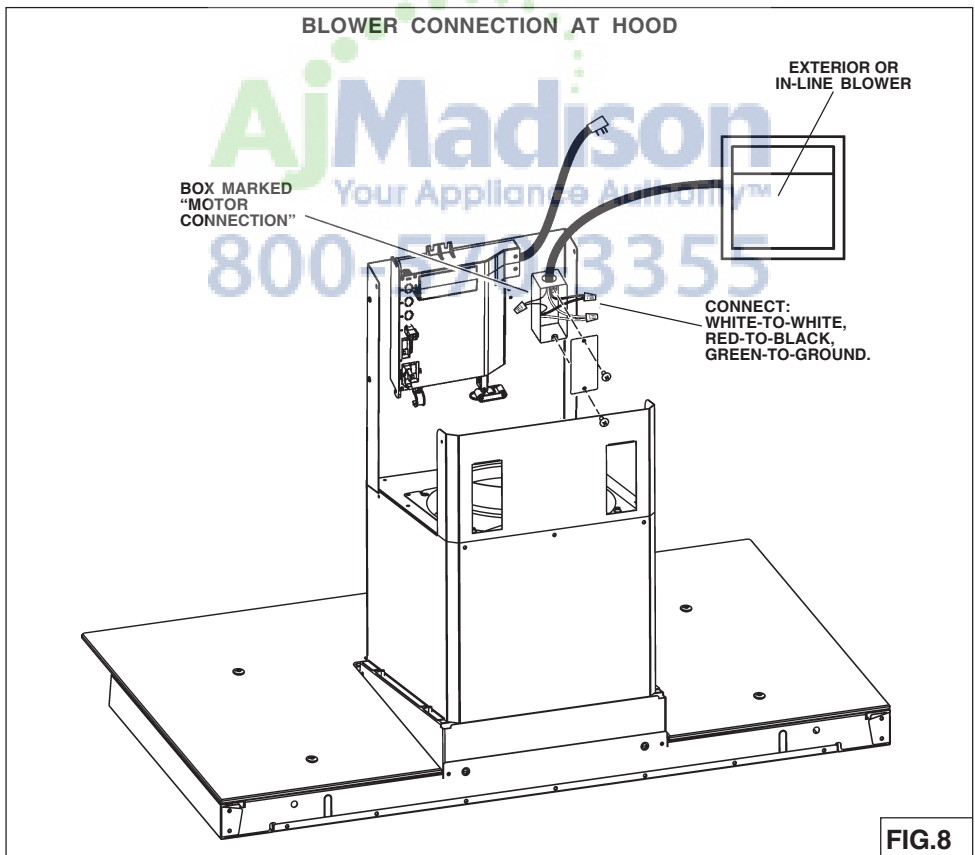
1. Run 2-wire plus ground power cable from the Exterior or In-Line Blower to the hood wiring box marked "motor connection". (Fig.8).
2. Remove the cover from the wiring box and remove one knockout.
3. Feed 6" of cable through the knockout opening and secure the cable to the wiring box with an appropriate connector.
4. Make electrical connections at the hood. Connect white-to-white, **red-to-black** and green-to-ground.
5. Replace the wiring box cover and screws, make sure wires are not pinched between the cover and box.

Exterior or In-line blower connection:

1. Make electrical connections at the exterior or in-line blower (see instructions provided with the exterior or in-line blower).

Power connection at hood:

1. Plug the power cord into the electrical wall receptacle.



INSTALL MOUNTING BRACKETS

Remove the plastic protective film from all exterior surfaces, decorative flues and filters, prior to final installation

DUCTED AND NON-DUCTED HOODS

1. Construct wood wall framing that is flush with interior surface of wall studs (Fig.9).

Make sure:

- a) the framing is centered over installation location.
- b) the height of the framing will allow the **mounting brackets** to be secured to the framing within the dimensions shown.

2. After wall surface is finished, secure the mounting brackets to framing with (4) 4.8 x 38 mm mounting screws. See chart below for mounting brackets location.

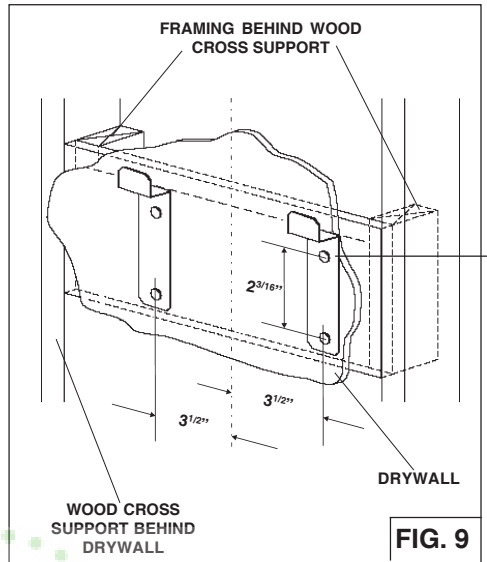


FIG. 9

Ceiling Height	Duct Method	Hood Distance Above 36" High Cook Top (in.)						
		24"	25"	26"	27"	28"	29"	30"
		Mounting Bracket Centr Hole Location Above 36" High Cook Top						
		40 ¹³ / ₁₆ "	41 ¹³ / ₁₆ "	42 ¹³ / ₁₆ "	43 ¹³ / ₁₆ "	44 ¹³ / ₁₆ "	45 ¹³ / ₁₆ "	46 ¹³ / ₁₆ "
8 FEET	DUCTED	X	X	X	X	X	X	X
	NON-DUCTED	X	X	X	X	X	X	X
9 FEET	DUCTED	X*	X*	X*	X*	X*	X*	X*
	NON-DUCTED	X	X	X	X	X	X	X
10 FEET	DUCTED	X	X	X	X	X	X	X
	NON-DUCTED	X	X	X	X	X	X	X
11 FEET	DUCTED	X	X	X	X	X	X	X
	NON-DUCTED					X	X	X

* Possible installation height - however, Non-Duct Filter Slots will be exposed.

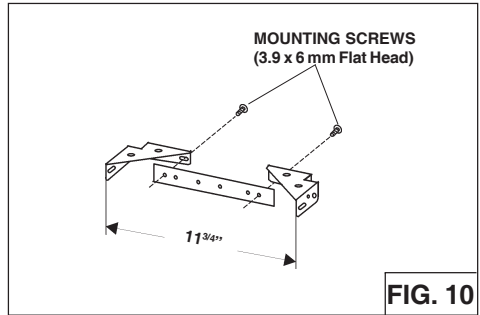
Notes:

- a. Minimum hood distance above cook top must not be less than 24". A maximum of 30" above cook top is highly recommended for best capture of cooking impurities. Distances over 30" are at the installer and the users discretion; and if ceiling height and flue length permit.
- b. Requires optional 10' flue extension, ducted model AEWC345IQSB or non-ducted model AEWC345IQSBN.

INSTALL FLUE MOUNTING BRACKET

DUCTED AND NON-DUCTED

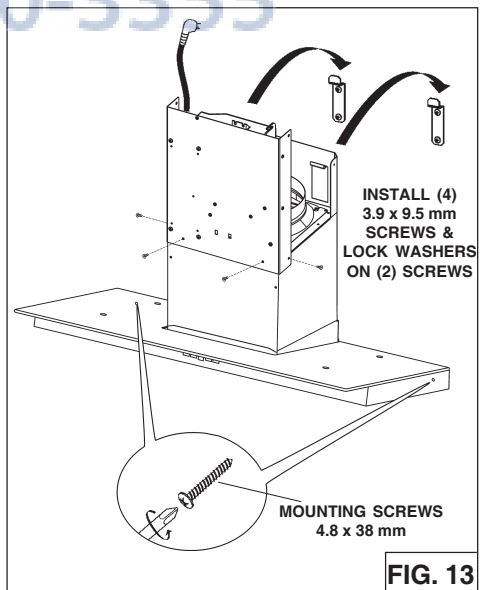
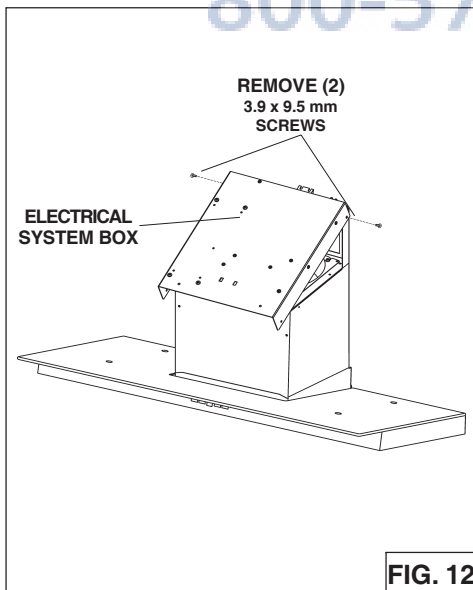
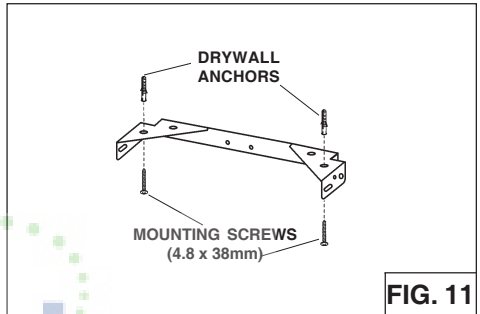
1. Assemble the flue mounting bracket, adjusting outside width as shown. (Fig.10)
2. **Carefully** center the mounting bracket directly over the range hood location.
3. Secure the bracket assembly to the ceiling using (2) 4.8 x 38mm mounting screws and drywall anchors (Fig.11). Make sure the bracket is pushed into the corner, tight against the wall if necessary, and centered over the hood. Complete the installation.



INSTALL THE HOOD

DUCTED AND NON-DUCTED INSTALLATION

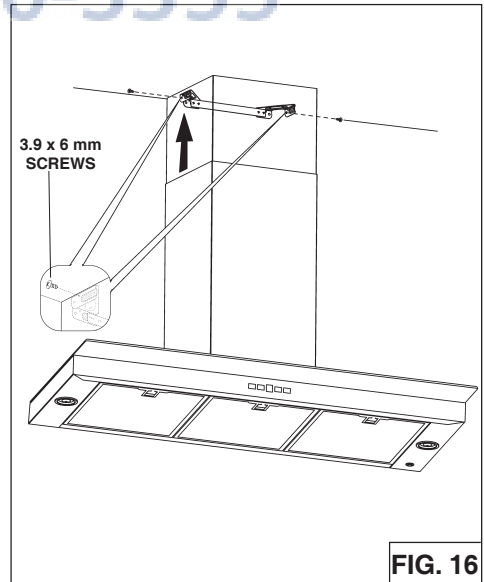
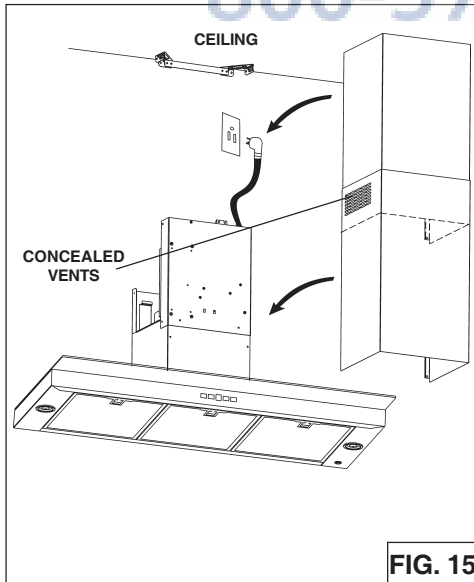
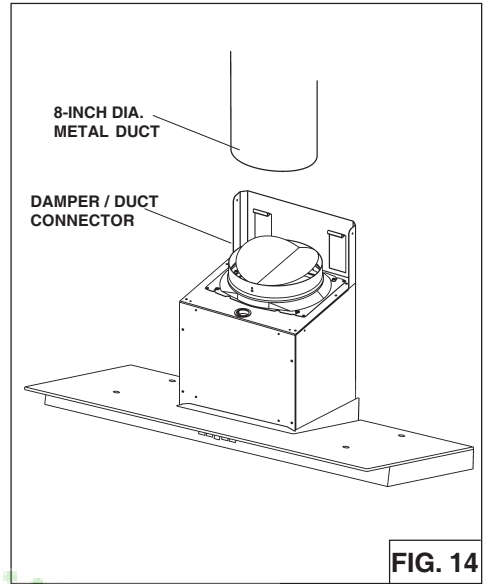
1. Remove the electrical system box from chimney frame by removing (2) 3.9 x 9.5 mm screws. Fig. 12.
2. Attach electrical system box to frame using (2) 3.9 x 9.5 mm screws removed in Step 1 and (2) 3.9 x 9.5 mm screws and (2) lock washers from hardware bag.
3. Install hood onto the wall mounting brackets. Fig. 13. Adjust leveling screws on mounting brackets to level hood with floor.
4. Mark and install (2) additional screws as shown. Use drywall anchors only if necessary.



DUCTED INSTALLATION ONLY

Note: Rooms with 10 or 11 foot ceiling require flue extension model AEW345IQSB, available from your local dealer. Discard the upper flue supplied with the range hood and replace it with the longer flue extension.

1. Remove protective tape from blower outlet before installing damper to hood with (4) screws supplied and tape joint with aluminum duct tape (Fig.14).
2. Run 8-inch diameter metal ductwork to the outside location.
3. Install an appropriate wall or roof cap with damper to exhaust the air to the outside.
4. Tape all duct joints with aluminum duct tape.
5. Plug power cord into wall outlet (Fig.15).
6. Install upper and lower decorative flues onto the range hood.
 - Vents are concealed on 8-foot ceilings.
 - Vents may be exposed on 9-foot ceilings.
7. Secure upper flue to flue mounting bracket with (2) 3.9 x 6 mm screws (Fig.16).

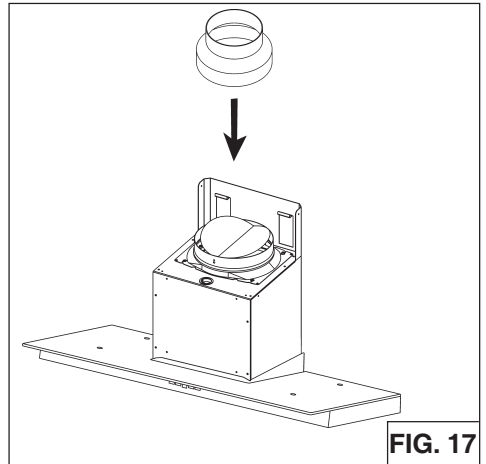


NON-DUCTED INSTALLATION ONLY

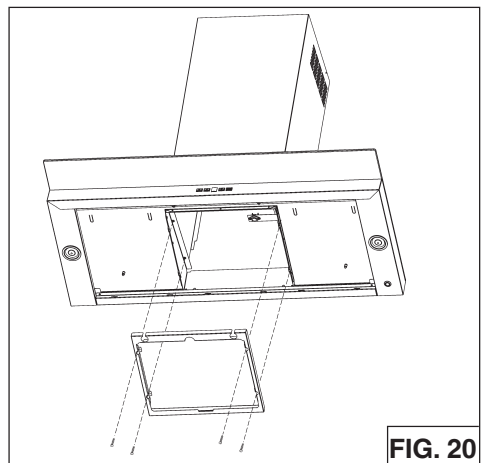
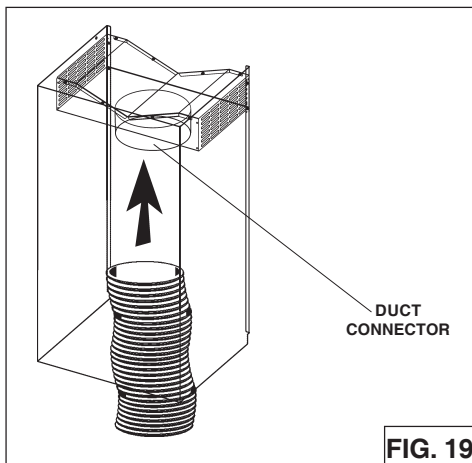
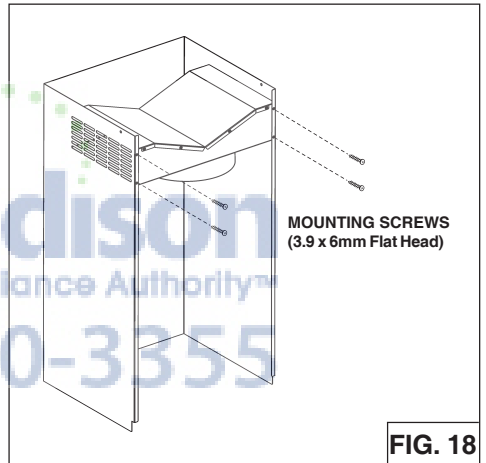
Note:

- a. Purchase Model ANKWC345 Non-ducted Recirculation Kit from your local dealer.
- b. Rooms with 10 or 11 foot ceilings require flue extension model AEWC345IQSBN, available from your local dealer. Discard the upper flue supplied with the range hood and replace it with the longer flue extension.

1. Install discharge collar supplied with the range hood (Fig.17).
2. Attach the 6"-to-8" adapter to blower discharge and tape joint with aluminum duct tape (Fig.17).



3. Install the plenum to the upper decorative flue using (4) 3.4 x 15 mm screws provided as shown (Fig.18).
4. Attach 6-inch expandable ducting to the plenum and tape joint with aluminum duct tape (Fig.19).
5. Attach non-duct filter frame using (4) 3.9 x 6 mm screws (Fig.20).



6. Temporarily secure the upper and lower flue together with duct tape as shown (Fig.21).
7. Lift the flue into position above the hood. Secure upper flue to the flue mounting bracket with (2) 3.9 x 6 mm screws (Fig.22).
8. Stretch expandable duct, attach it to the 6"-to-8" adapter and tape duct joints (Fig.23).
9. Plug power cord into wall outlet. 10. Remove tape from flues and lower into position on the hood (Fig.24).

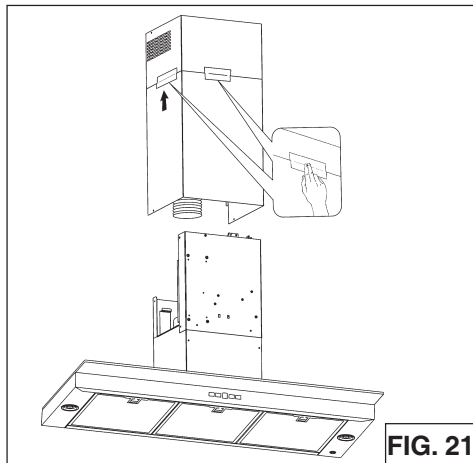


FIG. 21

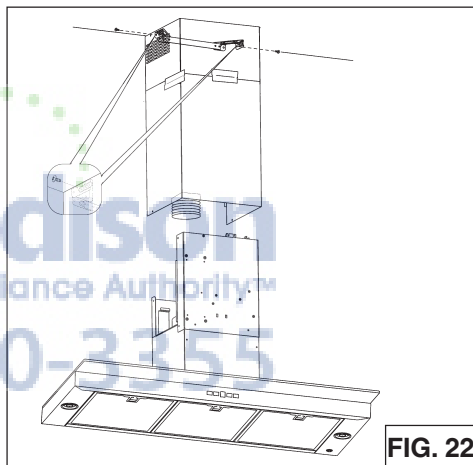
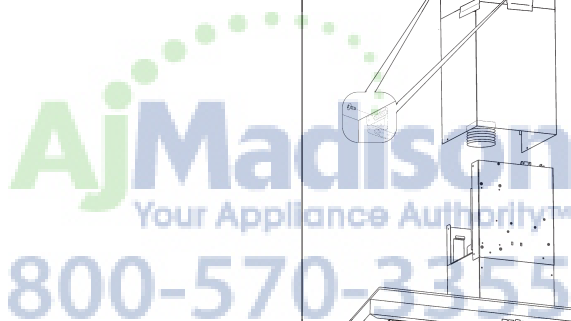


FIG. 22



 Aj Madison

 Your Appliance Authority™

 800-570-3355

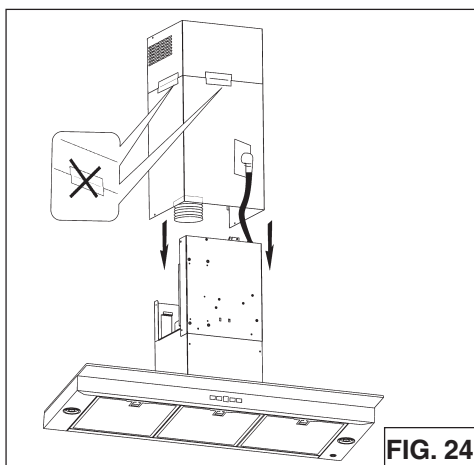


FIG. 24

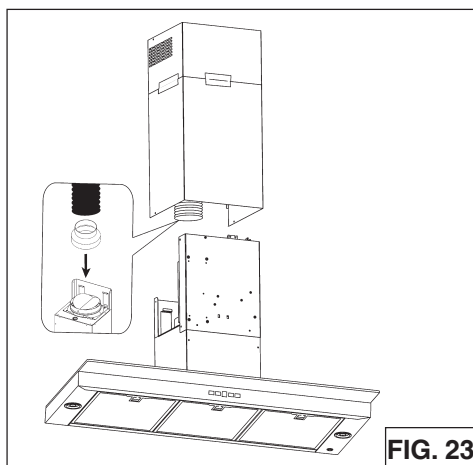


FIG. 23

INSTALL FILTERS

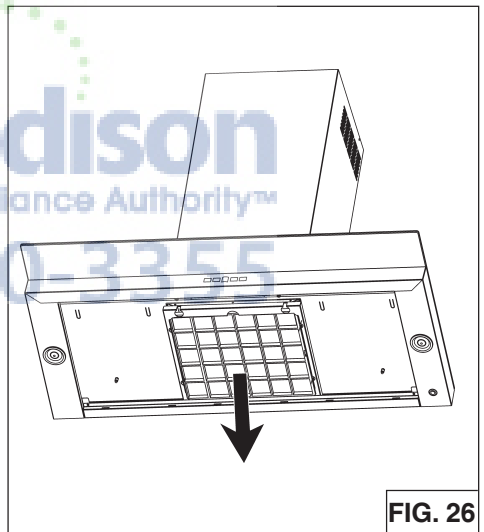
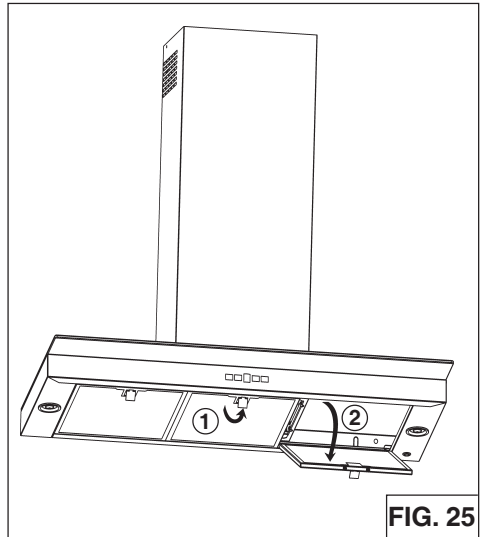
DUCTED AND NON-DUCTED HOODS

NOTE: prior to use, remove protective film from the filter frame.

1. To remove the GREASE filter, pull down on latch tab to disengage the filter from the hood. Tilt the filter downward and remove (Fig.25).
2. To install the GREASE filter, align rear filter tabs with slots in the hood. Pull latch tab down. Push filter into place and release tab. Make sure the filter is securely engaged after installation.

NON-DUCTED HOODS ONLY

1. To remove the CHARCOAL filter, grip and push filter tab toward rear of hood. Pull the filter down to disengage the rear filter tabs (Fig.26).
2. To install the CHARCOAL filter, align filter in rectangular opening. Push filter against springs in rear of hood and press into place. Make sure the filter is securely engaged after assembly.
3. Install GREASE filter after charcoal filter is installed.



CALIBRATE IQ BLOWER SYSTEM™ Ducted Internal Blower Hoods Only

After the hood is installed and wired, engage the calibration process (our *Guaranteed Performance System Technology*) to ensure full-rated airflow is being delivered. Prior to calibration, ensure that all filters, light bulbs and duct system components are installed and sealed.

CALIBRATION PROCESS

Hold the calibration button for 3 seconds; calibration button will light up and stay on for up to 13 minutes. The blower will start and begin the calibration process. When calibration is complete, one of two things will occur:

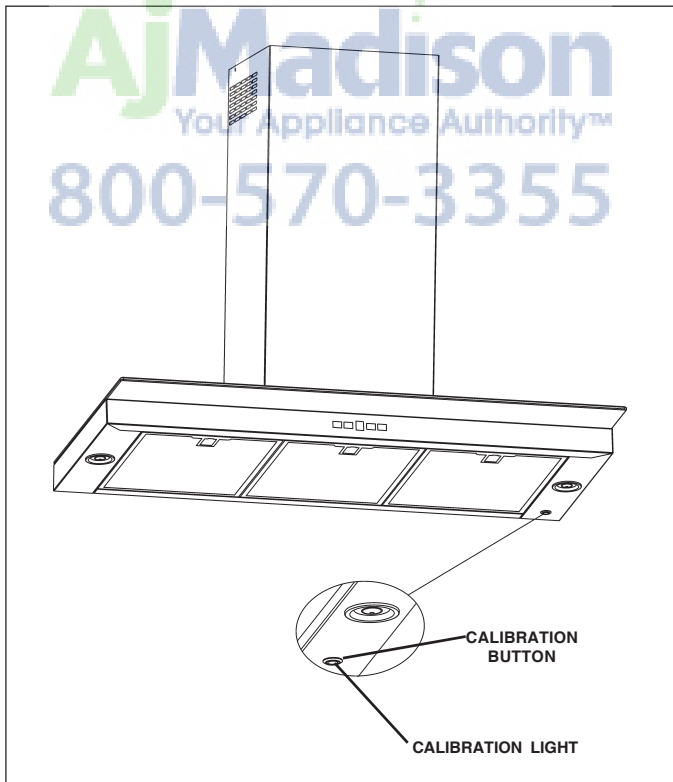
A. The blower turns off and calibration button light turns off = Successful calibration.

B. The blower turns off and calibration button light blinks continuously = Too much restriction in the ductwork is preventing the IQ Blower System™ from achieving the rated airflow. The blower is automatically set to maximum intensity.

Note: Common items that cause restrictions: restricted damper flap (backdraft damper, wall cap, roof cap), too many elbows, duct size less than 80% of hood outlet, poor transition, use of flex ducting and/or crushed ducting.

Two options are available:

1. Press the calibration button to accept airflow as is. The IQ Blower System™ is now configured to its highest possible setting. The blinking calibration light goes out.
2. Correct duct restriction and repeat the calibration process.
 - a. To clear the original calibration data, hold calibration button for 10 seconds. The light will blink 3 times to confirm and the blower configuration will go back to default settings.
 - b. Repeat calibration process.



WC44E Programming Mode Procedure

WC44E Programming Mode Procedure

The range hood is designed to work with several different blowers models. Before using the hood, the control must first be programmed to your blower model, in order to achieve proper operating speed:

1. Find the SETUP number that corresponds to the blower model that is installed with your range hood.
2. There must be power to the hood but the blower and lights must be turned off.
3. Push simultaneously LIGHT SWITCH and RESET SWITCH for 5 sec: the display shows a "P" blinking three times and then shows alternately the "P" and the setup selected.
4. Select the desired setup with BLOWER SWITCH (3→2→1) or RESET SWITCH (1→2→3).
5. Push TIMER SWITCH to confirm.
6. The display ("P") blinks two times (2 sec on - 0,5sec off) recording the selected setup.

Description of "Speed Level"

Setup 1 is for motors with a rating up to 3.0 amp

Setup 2 is for motors with a rating between 3.1 amp and 5.0 amp

Setup 3 is for motors with a rating greater than 5.1 amp

	SETUP 1	SETUP 2	SETUP 3
Setup 1 is for motors with a rating up to 3.0 amp	EB6	EB12	EB9
Setup 2 is for motors with a rating between 3.1 amp and 5.0 amp	ILB3	EB15	ILB11
Setup 3 is for motors with a rating greater than 5.1 amp	ILB6	ILB9	



WARRANTY

ONE YEAR LIMITED WARRANTY FOR BEST PRODUCTS

Broan-NuTone LLC (Broan-NuTone) warrants to the original consumer purchaser of Best products that such products will be free from defects in materials or workmanship for a period of one year from the date of original purchase. THERE ARE NO OTHER WARRANTIES, EXPRESS OR IMPLIED, INCLUDING, BUT NOT LIMITED TO, IMPLIED WARRANTIES OR MERCHANTABILITY OR FITNESS FOR A PARTICULAR PURPOSE.

During this one-year period, Broan-NuTone will, at its option, repair or replace, without charge, any product or part which is found to be defective under normal use and service.

THIS WARRANTY DOES NOT EXTEND TO FLUORESCENT LAMP STARTERS, TUBES, HALOGEN AND INCANDESCENT BULBS, FUSE, FILTERS, DUCTS, ROOF CAPS, WALL CAPS AND OTHER ACCESSORIES FOR DUCTING. This warranty does not cover (a) normal maintenance and service or (b) any products or parts which have been subject to misuse, negligence, accident, improper maintenance or repair (other than by Broan-NuTone), faulty installation or installation contrary to recommended installation instructions.

The duration of any implied warranty is limited to the one-year period as specified for the express warranty. Some states do not allow limitation on how long an implied warranty lasts, so the above limitation may not apply to you.

BROAN-NUTONE'S OBLIGATION TO REPAIR OR REPLACE, AT BROAN-NUTONE'S OPTION, SHALL BE THE PURCHASER'S SOLE AND EXCLUSIVE REMEDY UNDER THIS WARRANTY. BROAN-NUTONE SHALL NOT BE LIABLE FOR INCIDENTAL, CONSEQUENTIAL OR SPECIAL DAMAGES ARISING OUT OF OR IN CONNECTION WITH PRODUCT USE OR PERFORMANCE.

Some states do not allow the exclusion or limitation of incidental or consequential damages, so the above limitation or exclusion may not apply to you.

This warranty gives you specific legal rights, and you may also have other rights, which vary from state to state. This warranty supersedes all prior warranties.

To qualify for warranty service, you must (a) notify Broan-NuTone at the address stated below or telephone number stated below, (b) give the model number and part identification and (c) describe the nature of any defect in the product or part. At the time of requesting warranty service, you must present evidence of the original purchase date.

In USA - Best®, 926 W. State Street, Hartford, WI 53027 (800-558-1711)
 In Canada - Best®, 550 Lemire Blvd., Drummondville, QC J2C 7W9 (866-737-7770)
www.BestRangeHoods.com

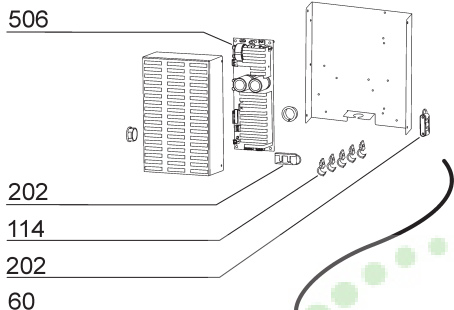
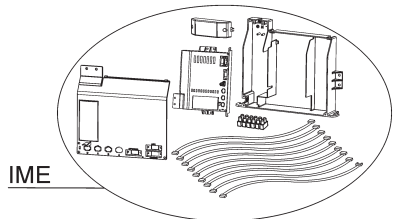
SERVICE PARTS

MODEL WC44IQ

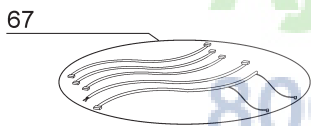
KEY NO.	PART NO.	DESCRIPTION
9	B08087958	Grease Filters
37	B02300804	Heat Sentry
60	B02300249	Feeder Cable
67	B06102615	Wires Assembly
76	B02005322	Glass
114	B032904990	Wire Clamp
202	B03292290	Wire Clamp
439	B02320034	Grommet
474	B08093413	Led Lamp
485	B08016375	Decorative Flue Assembly
506	97019430	BLDC Driver
507	B06102584	Calibration Button Assembly
*	B080810993	Fitting Set (Includes Key No. 120)
AQI	B06102632	Switch Box Assembly
ARU	B08081849	Duct Connector Assembly 8"
IME	B06145222	Electrical Installation Assembly
CAS	B06002259	Blower Assembly
ANKWC345	B08999175	Non-Ducted Kit (Includes Key No. 58, 86, 122, 503)
58	B03294170	Outlet Reduction
64	B08093477	Non-Ducted Filter Frame
86	B03292300	Outlet Flange
122	B08093478	Non-Duct Plenum
503	B02011557	Expandable Duct
AFCWC345	B08999176	Non-Duct Filter

* Not shown assembled.

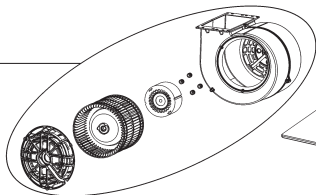
800-570-3355



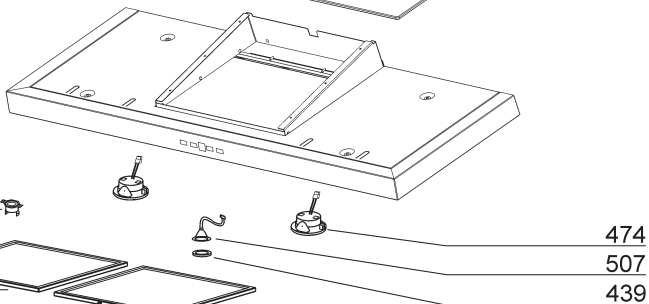
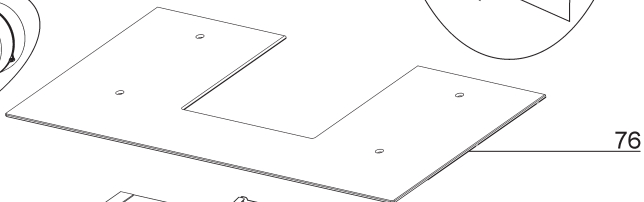
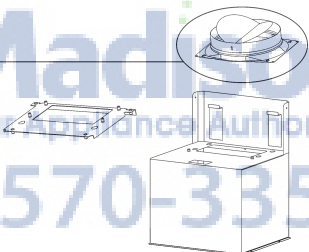
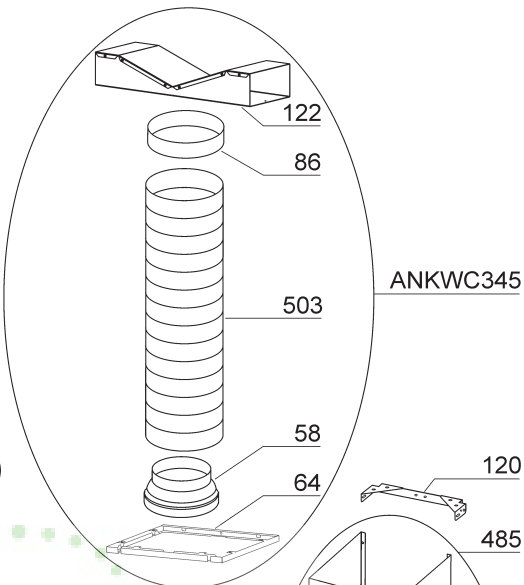
ARU



CAS



AQI



SERVICE PARTS

MODEL WC44E

KEY NO.	PART NO.	DESCRIPTION
9	B08087958	Grease Filters
37	B02300804	Heat Sentry
60	B02300249	Feeder Cable
67	B06102616	Wires Assembly
76	B02005322	Glass
114	B032904990	Wire Clamp
115	BE3350233	Wiring Box
116	BE3334252	Wiring Box Cover
202	B03292290	Wire Clamp
415	B03292288	Fairlead
474	B08093413	Led Lamp
485	B08016375	Decorative Flue Assembly
*	B080810993	Fitting Set (Includes Key No. 120)
AQI	B06102633	Switch Box Assembly
ARU	B08081849	Duct Connector Assembly 8"
IME	B06145223	Electrical Installation Assembly

* Not shown assembled.

AjMadison
Your Appliance Authority™

800-570-3355

