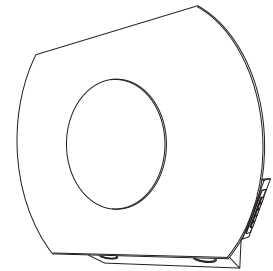


SUN WC43I80B & WC43I80W RANGE HOOD



Natural sunlight emblazons the day and bathes us in light. SUN is there to remind us that every day can be a new and wonderful awakening. Your choice of black or white glass surrounds a highly polished center disc. An optional flue cover lets you change the design. True Italian art!

FEATURES

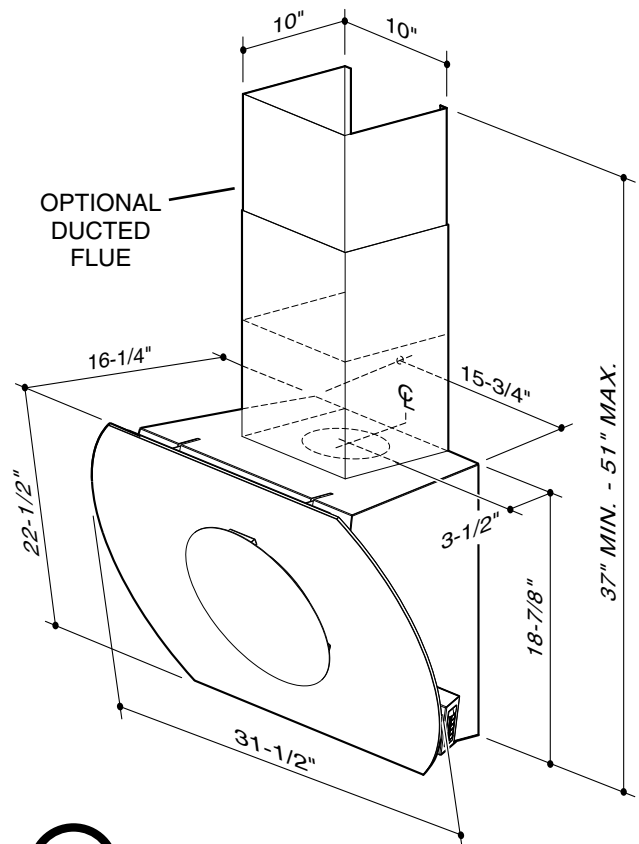
- Italian design
- Wall mount
- Finishes: black glass or white glass
- Width: 80 cm (31-1/2")
- Ducted & non-ducted
- 6" round duct connector / backdraft damper (for use if ducted)
- Telescopic flue accommodates 8-ft. to 9-ft. ceilings (purchase duct flue kit separately)
- 2-level, halogen lighting (2 bulbs included. Type T4, G9 base, 120 volt, 25 watts max.)
- 4-speed electronic blower control with lighted speed indicator
- Quiet, variable-speed centrifugal blower with high-efficiency motor produces 460 CFM of exhaust
- Heat Sentry™ - automatically turns blower to high speed when excess cooking heat is detected
- Dishwasher-safe filter features a quick-release latch
- Delay timer control automatically shuts off range hood after 10 minutes
- Filter clean reminder
- For indoor use only

OPTIONS

- Ducted flue kit (Model AEWC43SP)
- Replacement charcoal filters available (Model FILTEREB40)

SPECIFICATIONS

VOLTS	HZ	AMPS	CFM		SONES		DUCT
			MAX.	NORM.	MAX.	NORM.	
120	60	3.12	460	220	7.5	3.0	6" round

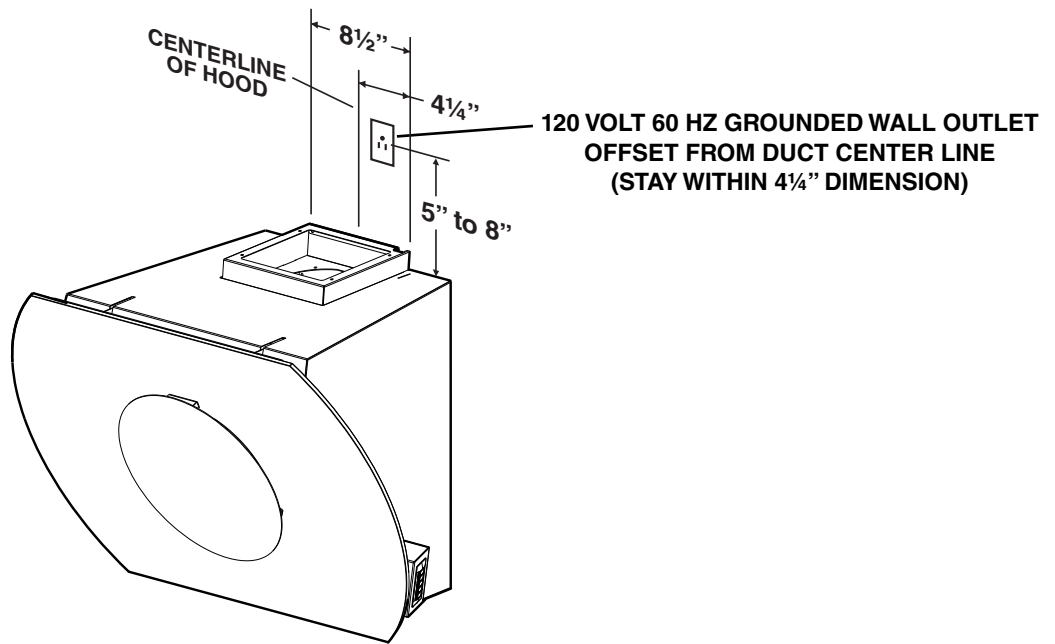


HVI-2100 CERTIFIED RATINGS comply with new testing technologies and procedures prescribed by the Home Ventilating Institute, for off-the-shelf products, as they are available to consumers. Product performance is rated at 0.1 in. static pressure, based on tests conducted in a state-of-the-art test laboratory. Sones are a measure of humanly-perceived loudness, based on laboratory measurements.

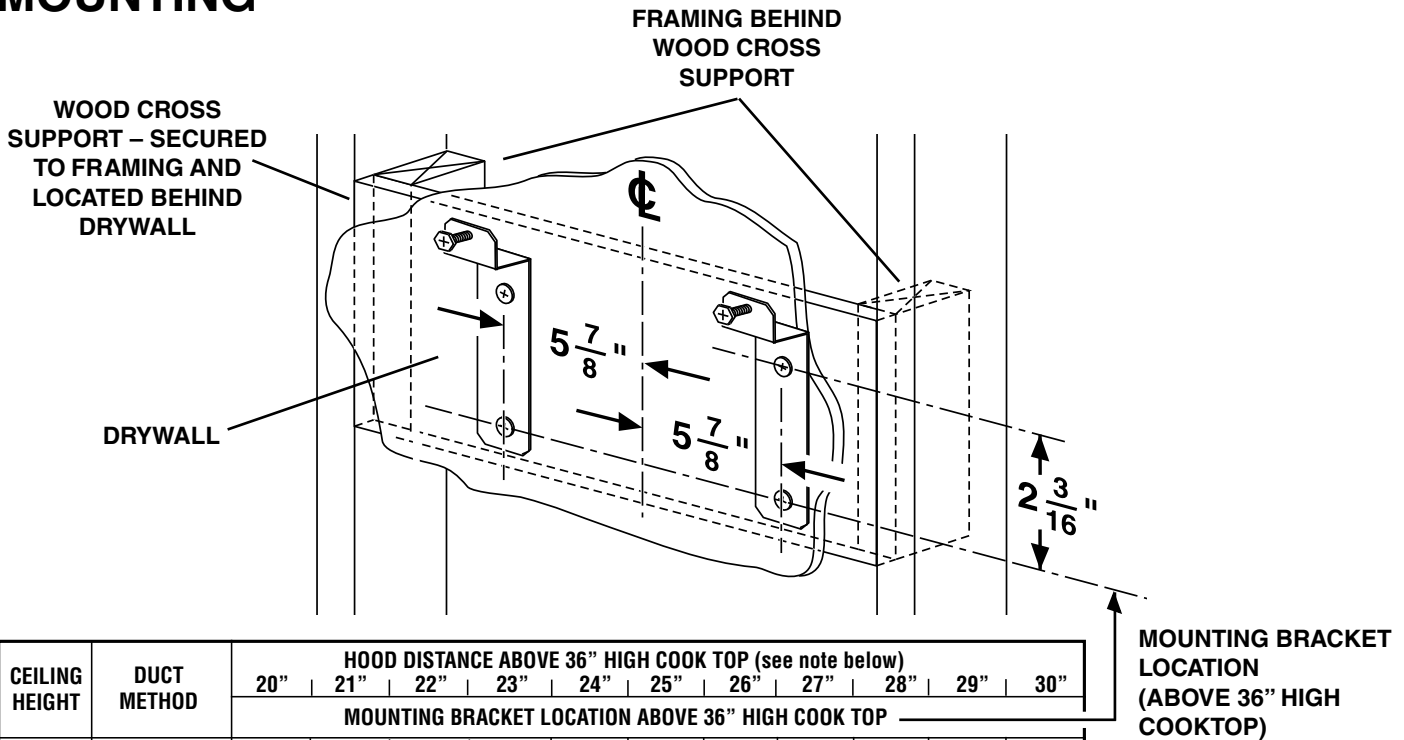
BEST Hartford, Wisconsin www.BestRangeHoods.com 800-558-1711
 BEST Drummondville, QC, Canada www.BestRangeHoods.com 866-737-7770

REFERENCE	QTY.	REMARKS	Project
			Location
			Architect
			Engineer
			Contractor
			Submitted by
			Date

WC43I80B & WC43I80W WIRING



WC43I80B & WC43I80W MOUNTING



CEILING HEIGHT	DUCT METHOD	HOOD DISTANCE ABOVE 36" HIGH COOK TOP (see note below)											
		20"	21"	22"	23"	24"	25"	26"	27"	28"	29"	30"	
		MOUNTING BRACKET LOCATION ABOVE 36" HIGH COOK TOP											
8 FEET	DUCTED*	34-1/2"	35-1/2"	36-1/2"	37-1/2"								
	NON-DUCTED	34-1/2"	35-1/2"	36-1/2"	37-1/2"	38-1/2"	39-1/2"	40-1/2"	41-1/2"	42-1/2"	43-1/2"	44-1/2"	
9 FEET	DUCTED*			36-1/2"	37-1/2"	38-1/2"	39-1/2"	40-1/2"	41-1/2"	42-1/2"	43-1/2"	44-1/2"	
	NON-DUCTED	34-1/2"	35-1/2"	36-1/2"	37-1/2"	38-1/2"	39-1/2"	40-1/2"	41-1/2"	42-1/2"	43-1/2"	44-1/2"	

Note : Minimum hood distance above cook top must not be less than 20". A maximum of 30" above cook top is highly recommended for best capture of cooking impurities. Distances over 30" are at the installer and user's discretion; and if ceiling height and flue length permit.

* Ducted hood requires the purchase of flue kit model AEWC43SP.

