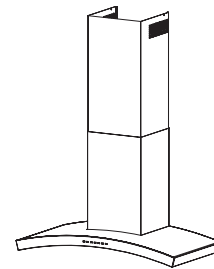


DUNE WC35IQ SERIES RANGE HOOD



Imagine the softly shaped landscape of rolling hills or desert. DUNE found its inspiration from these simple clean shapes. With a shape that, by nature, provides good function - the reflective control is like touching water, controlling the hood magically.

FEATURES

- Italian design
- Wall mount
- Finishes: 430 Stainless Steel, #4 Brushed
- Width: 90 cm (35-7/16")
- Ducted/non-ducted telescopic flue accommodates 8' to 9' ceilings (Purchase non-duct recirculation kit separately.)
- 8" round duct connector/backdraft damper
- 1-level LED lighting (2 LED modules, 6 Watts max.)
- 4-speed, electronic control, glass capacitive touch
- Quiet iQ6 blower system with high-efficiency BLDC motor
- Heat Sentry™ - automatically turns blower to high speed when excess cooking heat is detected
- Delay timer control automatically shuts off range hood after 10 minutes
- Special control indicates when it's time to clean the filter
- Dishwasher-safe filter features a quick-release latch
- For indoor use only

OPTIONS

- Non-ducted recirculation kit (Model ANKWC345)
- Replacement charcoal filters available (Model AFCWC345)
- Flue extension for 10-ft. to 11-ft. ceilings (ducted Model AEWC345IQSB) (non-ducted Model AEWC345IQSBN, stainless steel)

SPECIFICATIONS

| VOLTS | AMPS | CFM / SONES (Boost) | CFM / SONES (High Speed) | CFM / SONES (Med. Speed) | CFM / SONES (Low Speed) | DUCT |
|-------|------|------------------------|-----------------------------|-----------------------------|----------------------------|----------|
| 120 | 4.0 | 500 / 7.5 | 365 / 4.5 | 230 / 1.4 | 120 / <0.3 | 8" round |

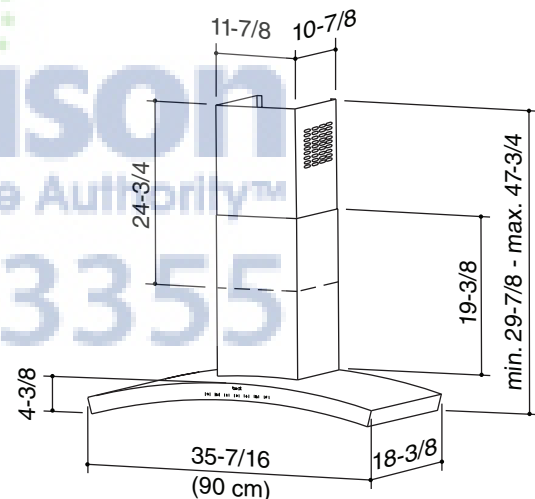


This product was tested by Broan-NuTone for airflow performance using the ANSI/AMCA 210 Standard, which is equivalent to the Home Ventilating Institute HVI 916 - Procedure for Air Flow Testing, and tested for sound performance using the ANSI S12.51 Standard, which is equivalent to the Home Ventilating Institute HVI 915 - Procedure for Loudness Rating of Residential Fan Products.

BEST Hartford, Wisconsin www.BestRangeHoods.com 800-558-1711
 BEST Drummondville, QC, Canada www.BestRangeHoods.com 866-737-7770

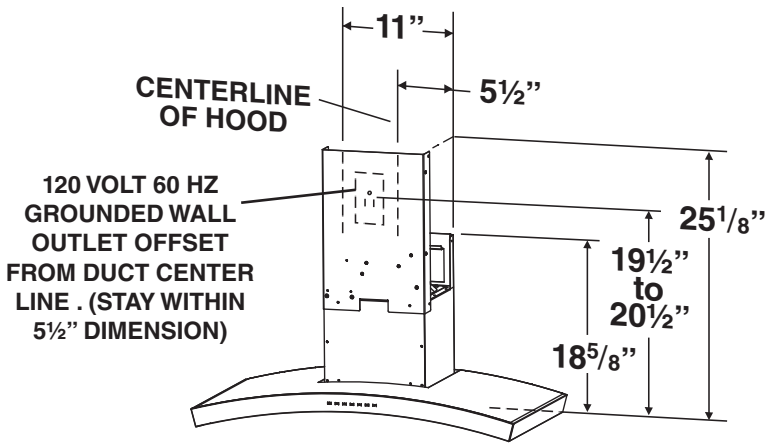
iQ6 - 600 CFM Blower System providing:

- Best in class quiet operation.
- Up to 30% faster smoke and odor removal than comparable models.
- Up to 22x more energy efficient than comparable models.
- Guaranteed Performance System (GPS) technology calibrates the hood system to every installation to provide up to 30% more CFM than standard range hoods.
- Using a duct reducer with this hood may prevent the product from calibrating.



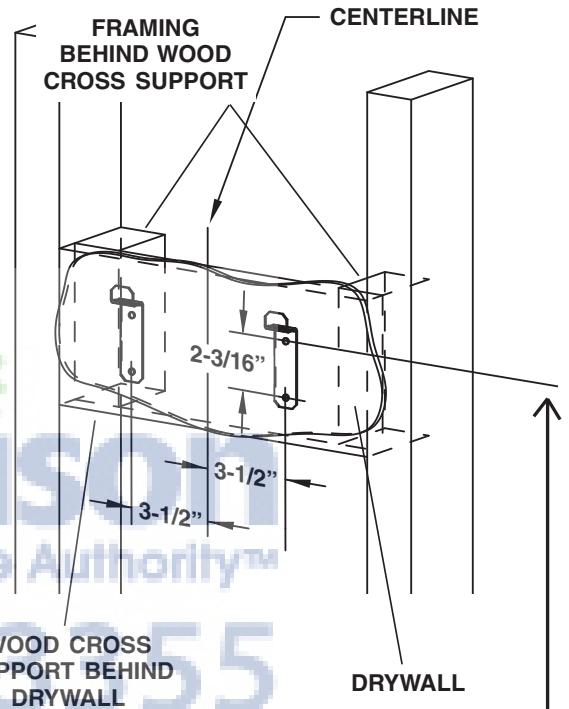
| REFERENCE | QTY. | REMARKS | Project |
|-----------|------|---------|--------------|
| | | | Location |
| | | | Architect |
| | | | Engineer |
| | | | Contractor |
| | | | Submitted by |
| | | | Date |

WC35IQ SERIES WIRING



WC35IQ SERIES MOUNTING

AJ Madison
Your Appliance Authority™
800-570-2555



| CEILING HEIGHT | DUCT METHOD | HOOD DISTANCE ABOVE 36" HIGH COOK TOP (see note below) | | | | | | |
|-----------------------|----------------------|---|---------|---------|---------|---------|---------|---------|
| | | 24" | 25" | 26" | 27" | 28" | 29" | 30" |
| | | MOUNTING BRACKET CENTER HOLE LOCATION ABOVE 36" HIGH COOK TOP | | | | | | |
| 8 FEET | DUCTED | 37-7/8" | 38-7/8" | 39-7/8" | 40-7/8" | 41-7/8" | 42-7/8" | 43-7/8" |
| | NON-DUCTED | 37-7/8" | 38-7/8" | 39-7/8" | 40-7/8" | 41-7/8" | 42-7/8" | 43-7/8" |
| 9 FEET | DUCTED OR NON-DUCTED | --- | --- | --- | 40-7/8" | 41-7/8" | 42-7/8" | 43-7/8" |
| 10 FEET (see note b.) | | 37-7/8" | 38-7/8" | 39-7/8" | 40-7/8" | 41-7/8" | 42-7/8" | 43-7/8" |

- Minimum hood distance above cook top must not be less than 24". A maximum of 30" above cook top is highly recommended for best capture of cooking impurities. Distances over 30" are at the installer and user's discretion; and if ceiling height and flue length permit.
- Requires optional 10-ft. to 11-ft. flue extension, ducted model AEWC345IQSB or non-ducted model AEWC345IQSBN.