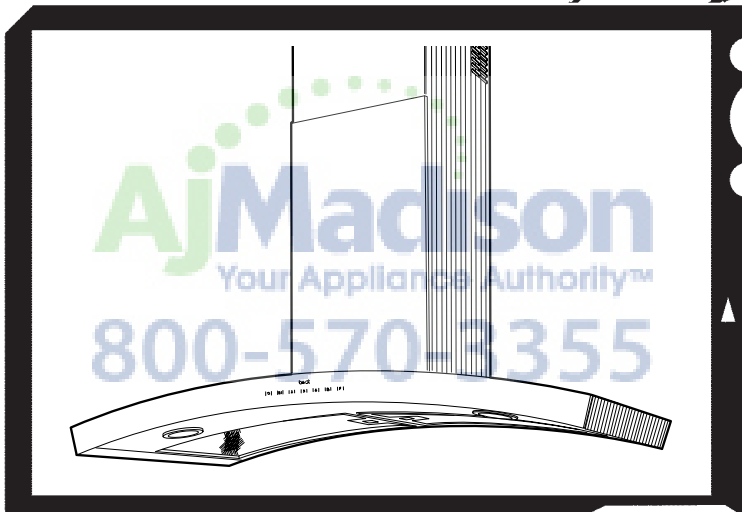


best®



WC35 Series

ENGLISH.....	2
FRANÇAIS.....	24
ESPAÑOL.....	47

In USA - BEST Hartford, Wisconsin

In CANADA - BEST Drummondville, QC, Canada

REGISTER YOUR PRODUCT ONLINE AT : www.BestRangeHoods.com/register
For additional Information visit www.BestRangeHoods.com

READ AND SAVE THESE INSTRUCTIONS

 **INTENDED FOR DOMESTIC COOKING ONLY** 

WARNING

TO REDUCE THE RISK OF FIRE, ELECTRIC SHOCK, OR INJURY TO PERSONS, OBSERVE THE FOLLOWING:

1. Use this unit only in the manner intended by the manufacturer. If you have questions, contact the manufacturer at the address or telephone number listed in the warranty.
2. Before servicing or cleaning unit, switch power off at service panel and lock service panel to prevent power from being switched on accidentally. When the service disconnecting means cannot be locked, securely fasten a prominent warning device, such as a tag, to the service panel.
3. Installation work and electrical wiring must be done by a qualified person(s) in accordance with all applicable codes and standards, including fire-rated construction codes and standards.
4. Sufficient air is needed for proper combustion and exhausting of gases through the flue (chimney) of fuel burning equipment to prevent backdrafting. Follow the heating equipment manufacturer's guidelines and safety standards such as those published by the National Fire Protection Association (NFPA), and the American Society for Heating, Refrigeration and Air Conditioning Engineers (ASHRAE), and the local code authorities.
5. When cutting or drilling into wall or ceiling, do not damage electrical wiring and other hidden utilities.
6. Ducted fans must always be vented to the outdoors.
7. Do not use this unit with any separate solid-state speed control device.
8. To reduce the risk of fire, use only metal ductwork.

GROUNDING INSTRUCTIONS

This appliance must be grounded. In the event of an electrical short circuit, grounding reduces the risk of electrical shock by providing an escape wire for the electric current. This appliance is equipped with a cord having a grounding wire with a grounding plug. The plug must be plugged into an outlet that is properly installed and grounded.

WARNING - Improper grounding can result in a risk of electric shock.

Consult a qualified electrician if the grounding instructions are not completely understood, or if doubt exists as to whether the appliance is properly grounded.

Do not use an extension cord. If the power supply cord is too short, have a qualified electrician install an outlet near the appliance.

WARNING

TO REDUCE THE RISK OF A RANGE TOP GREASE FIRE:

- A. Never leave surface units unattended at high settings. Boilovers cause smoking and greasy spillovers that may ignite. Heat oils slowly on low or medium settings.
- B. Always turn hood ON when cooking at high heat or when flambeing food (i.e. Crepes Suzette, Cherries Jubilee, Peppercorn Beef Flambé).
- C. Clean ventilating fans frequently. Grease should not be allowed to accumulate on fan or filter.
- D. Use proper pan size. Always use cookware appropriate for the size of the surface element.

TO REDUCE THE RISK OF INJURY TO PERSONS IN THE EVENT OF A RANGE TOP GREASE FIRE, OBSERVE THE FOLLOWING:*

1. SMOTHER FLAMES with a close-fitting lid, cookie sheet, or metal tray, then turn off the burner. BE CAREFUL TO PREVENT BURNS. If the flames do not go out immediately, EVACUATE AND CALL THE FIRE DEPARTMENT.
2. NEVER PICK UP A FLAMING PAN - You may be burned.
3. DO NOT USE WATER, including wet dishcloths or towels - violent steam explosion will result.
4. Use an extinguisher ONLY if:
 - A. You know you have a Class ABC extinguisher and you already know how to operate it.
 - B. The fire is small and contained in the area where it started.
 - C. The fire department is being called.
 - D. You can fight the fire with your back to an exit.

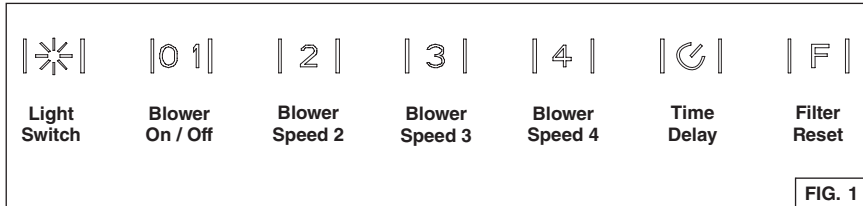
* Based on "Kitchen Fire Safety Tips" published by NFPA.

CAUTION

1. For indoor use only.
2. To reduce risk of fire and to properly exhaust air, be sure to duct air outside. Do not vent exhaust air into spaces within walls or ceilings or into attics, crawl spaces, or garages.
3. Take care when using cleaning agents or detergents.
4. Avoid using food products that produce flames under the Range Hood.
5. For general ventilating use only. Do not use to exhaust hazardous or explosive materials and vapors.
6. To avoid motor bearing damage and noisy and/or unbalanced impellers, keep drywall spray, construction dust, etc. off power unit.
7. Your hood motor has a thermal overload which will automatically shut off the motor if it becomes overheated. The motor will restart when it cools down. If the motor continues to shut off and restart, have the hood serviced.
8. For best capture of cooking impurities, the bottom of the hood should be a minimum of 24" and a maximum of 30" above the cooking surface. See "Install Mounting Bracket" section for mounting restrictions.
9. Two installers are recommended because of the large size and weight of this hood.
10. This product is equipped with a thermostat which may start blower automatically. To reduce the risk of injury and to prevent power from being switched on accidentally, switch power off at service panel and lock or tag service panel.
11. Please read specification label on product for further information and requirements.
12. EXTERNAL BLOWER MODELS ONLY: To reduce the risk of fire and electric shock, install this range hood only with Best Exterior Blower Models EB6, EB9, EB12 or EB15 or Best In-Line Blower Models ILB3, ILB6, ILB9 or ILB11. Other blower cannot be substituted. Blowers sold separately.

OPERATION

Controls (Fig. 1)



This range hood is equipped with the latest in capacitive touch technology. The buttons do not move, but are touch-sensitive. When a touch is understood, the control will emit a sound.

Light Button turns the LED lights on and off. Push once to turn lights on. Push again to turn lights off.

Blower On / Off button turns the blower on to low speed. Push a second time to turn blower off.



Blower Speed 2 button increases blower speed to medium-low speed.

Blower Speed 3 button increases blower speed to medium-high speed.

Blower Speed 4 button increases blower speed to high speed.

Delay button activates a delay off feature. Press once to activate the 5-minute delay off for any of the blower speed settings. Press again to deactivate the time delay off.

Filter Reset lights after every 30 hours of operation, indicating a need to clean the filters. After filters are cleaned or replaced, press once to reset the 30-hour timer.

Clean Mode deactivates controls for cleaning of glass. Press and hold  and  for 5 seconds. Repeat to re-activate controls.

Auto Shut-Off Feature

If the blower and/or the lights are on continuously for 10 hours without any user interaction with the controls, the hood will automatically shut off. Press any control button to re-activate the hood.

HEAT SENTRY™

Your hood is equipped with a HEAT SENTRY™ thermostat. This thermostat is a device that will turn on or speed up the blower if it senses excessive heat above the cooking surface.

1) If blower is OFF - it turns blower ON to HIGH speed.

2) If blower is ON at a lower speed setting - it turns blower up to HIGH speed.

When the temperature level drops to normal, the blower will return to its original setting.

WARNING

The HEAT SENTRY thermostat can start the blower even if the hood is turned OFF. When this occurs, it is impossible to turn the blower OFF with its switch. If you must stop the blower, do it from the main electrical panel.

LED LAMPS

The hood is provided with LED lamps which require no maintenance.

CLEANING AND MAINTENANCE

Proper maintenance of the Range Hood will assure proper performance of the unit.

Motor

The motor is permanently lubricated and never needs oiling. If the motor bearings make excessive or unusual noise, replace the motor with the exact service motor. The impeller should also be replaced.

Grease Filter

The grease filter should be cleaned frequently. Use a warm detergent solution. Grease filter is dishwasher safe.

Clean all-metal filters in the dishwasher using a non-phosphate detergent. Discoloration of the filter may occur if using phosphate detergents, or as a result of local water conditions - but this will not affect filter performance. This discoloration is not covered by the warranty.

See "INSTALL FILTERS" section for removal and installation instructions.

Non-ducted Recirculation Filter

The non-ducted recirculation filter should be changed every 6 months. Replace more often if your cooking style generates extra grease, such as frying and wok cooking. See "INSTALL FILTERS" section for removal and installation instructions.

Stainless Steel Cleaning

DO:

- Regularly wash with clean cloth or rag soaked with warm water and mild soap or liquid dish detergent.
- Always clean in the direction of original polish lines.
- Always rinse well with clear water (2 or 3 times) after cleaning. Wipe dry completely.
- You may also use a specialized household stainless steel cleaner.

DON'T:

- Use any steel or stainless steel wool or any other scrapers to remove stubborn dirt.
- Use any harsh or abrasive cleansers.
- Allow dirt to accumulate.
- Let plaster dust or any other construction residues reach the hood. During construction/renovation, cover the range hood to make sure no dust sticks to the stainless steel surface.

Avoid: When choosing a detergent

- Any cleaners that contain bleach will attack stainless steel
- Any products containing: chloride, fluoride, iodide, bromide will deteriorate surfaces rapidly.
- Any combustible products used for cleaning such as acetone, alcohol, ether, benzol, etc., are highly explosive and should never be used close to a range.

PREPARE THE HOOD

Unpack hood and check contents.

You should receive:

- 1 - Hood
- 1 - Decorative Flue Assembly
- 1 - Parts Bag containing:
 - 2 - Mounting Brackets
 - 1 - Damper Kit
 - 1 - Flue Mounting Bracket Assembly
 - 8 - Mounting Screws (4.8 x 38mm Pan Head)
 - 4 - Mounting Screws (3.9 x 9.5mm Pan Head)
 - 2 - Mounting Screws (3.9 x 6mm Flat Head)
 - 8 - Drywall Anchors
 - 2 - Flat Washers
 - 1 - Filter Support
 - 4 - Mounting Screws (4 x 8mm)
- 1 - Installation Instructions

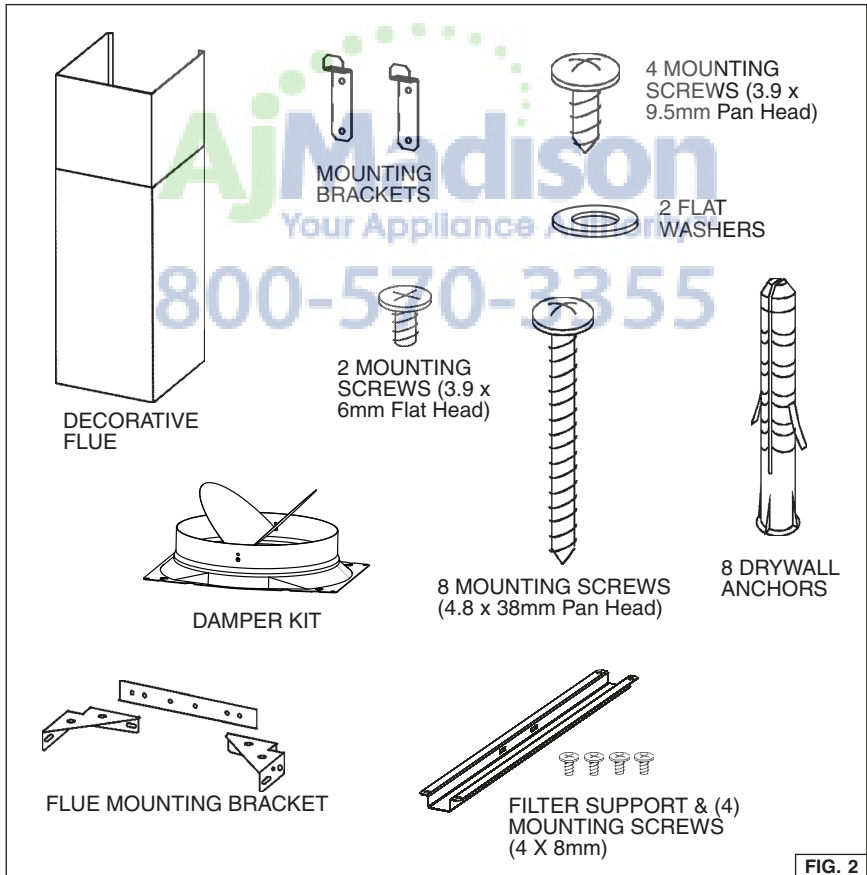


FIG. 2

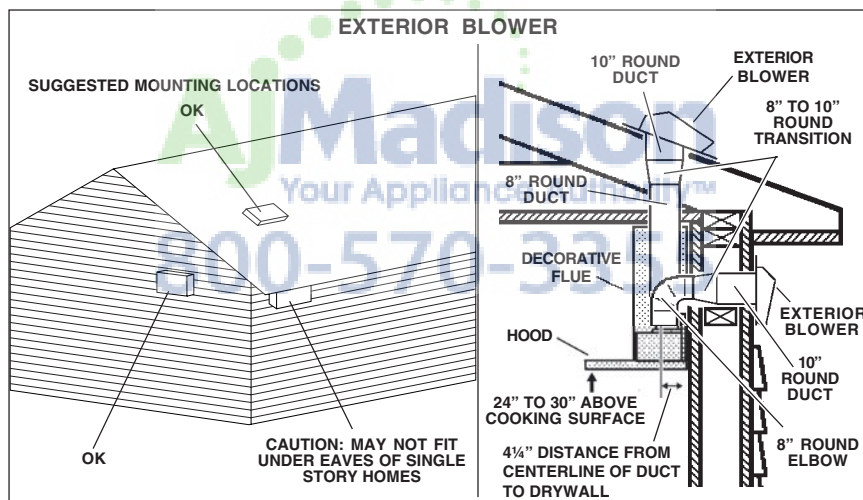
EXTERIOR OR IN-LINE BLOWER SELECTION (WC35E)

CAUTION: Either an exterior blower or in-line blower may be used with this hood. The hood must be installed with blower models EB6, EB9, EB12, EB15, ILB3, ILB6, ILB9, or ILB11 only. Other Blowers cannot be substituted (Blowers sold separately).

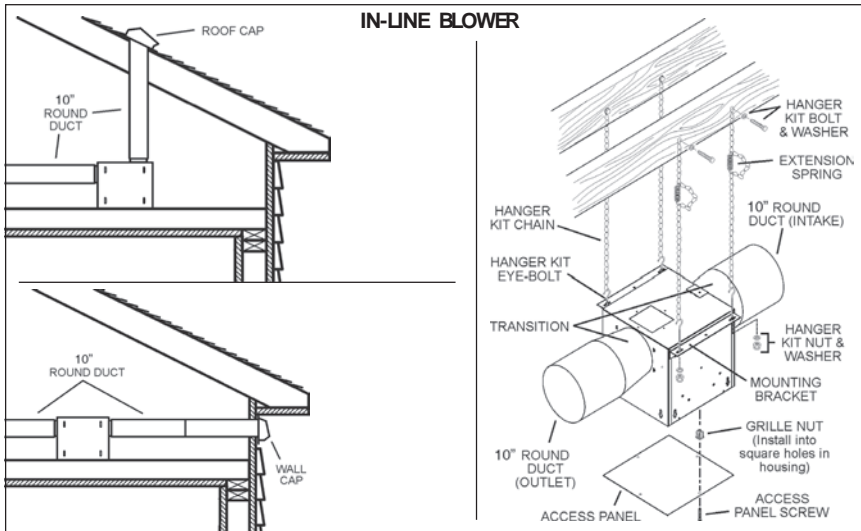
INSTALL THE DUCTWORK

NOTE: To reduce the risk of fire, use only metal ductwork.

1. Choose the location where the Exterior or In-Line Blower will be mounted. See illustrations below for mounting location suggestions and restrictions.
2. A straight, short duct run will allow the hood to perform most efficiently.
3. Long duct runs, elbows and transitions will reduce the performance of the hood. Use as few of them as possible. Larger ducting may be required for best performance with long duct runs.
4. After the Exterior or In-Line Blower has been installed, connect round metal ductwork and work back towards the hood location. Use duct tape to seal joints between ductwork sections.
5. An 8" round to 10" round transition (Model 414) is required. For best air performance, install the transition as close to the range hood as possible.



IN-LINE BLOWER



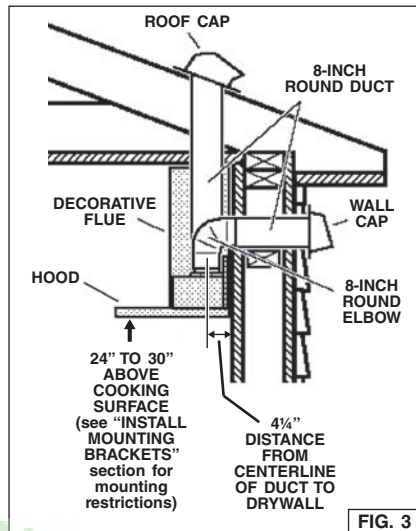
AjMadison
Your Appliance Authority™
800-570-3355

INSTALL THE DUCTWORK

DUCTED HOODS ONLY

CAUTION: To reduce the risk of fire, use only metal ductwork.

1. Decide where the ductwork will run between the hood and the outside. Fig. 3.
2. A straight, short duct run will allow the hood to perform most efficiently.
3. Long duct runs, elbows, and transitions will reduce the performance of the hood. Use as few of them as possible. Larger ducting may be required for best performance with longer duct runs.
4. Install a roof or wall cap. Connect round metal ductwork to cap and work back towards hood location. Use duct tape to seal the joints between ductwork sections.

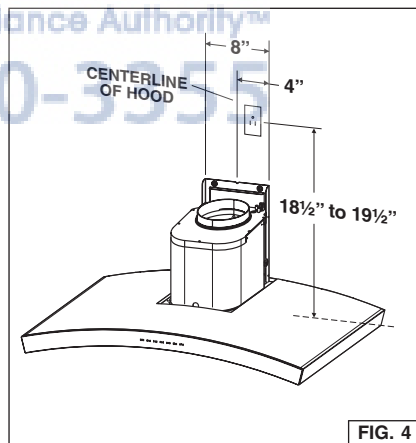


INSTALL ELECTRICAL

DUCTED and NON-DUCTED HOODS

⚠ WARNING : Electrical wiring must be done by a qualified person(s) in accordance with all applicable codes and standards. This range hood must be properly grounded. Turn off electrical power at service entrance before wiring.

1. Plan where the hood will be located above the cook top. Refer to the "INSTALL MOUNTING BRACKET" section for hood mounting height options.
2. Install a standard 2" x 4" wall outlet box and 3-blade 125 volt, 15 Amp grounded receptacle. Fig. 4.
3. Mount the center of the wall outlet 18 1/2" to 19 1/2" above the bottom of the hood.
4. Locate the box and the receptacle within boundary shown and off center of the ductwork (to allow for power cord plug and flue clearance).



EXTERNAL BLOWER ELECTRICAL CONNECTIONS

Blower connection at hood:

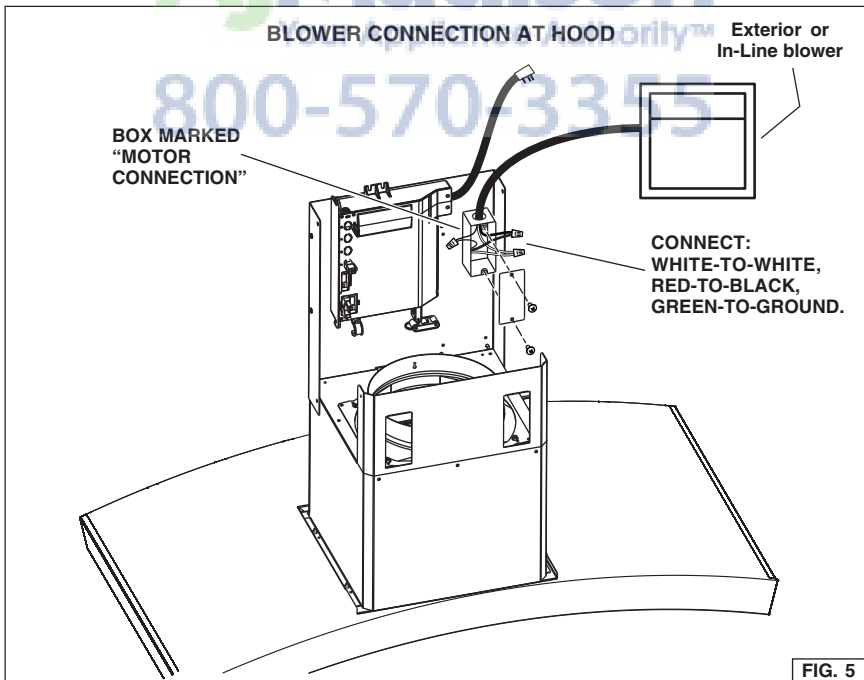
1. Run 2-wire plus ground power cable from the Exterior or In-Line Blower to the hood's wiring box marked "motor connection".
2. Remove the cover from the wiring box and remove one knockout.
3. Feed 6" of cable through the knockout opening and secure the cable to the wiring box with an appropriate connector.
4. Make electrical connections at the hood. Connect white-to-white, **red-to-black** and green-to-ground.
5. Replace the wiring box cover and screws. make sure wires are not pinched between the cover and box.

Exterior or In-line blower connection:

1. Make electrical connections at the exterior or in-line blower (see instructions provided with the exterior or in-line blower).

Power connection at hood:

1. Plug the power cord into the electrical wall receptacle.



INSTALL MOUNTING BRACKETS

DUCTED and NON-DUCTED HOODS

- Construct wood wall **framing** that is **flush** with interior surface of wall studs. Fig. 6. Make sure:
 - the framing is centered over installation location.
 - the height of the framing will allow the **mounting brackets** to be secured to the framing within the dimensions shown.
- After wall surface is finished**, secure the mounting brackets to framing with (4) 4.8 x 38 mm mounting screws. See chart below for mounting bracket location.

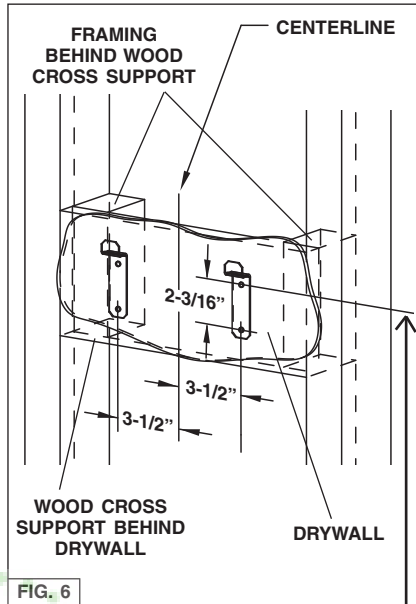


FIG. 6

CEILING HEIGHT	DUCT METHOD	HOOD DISTANCE ABOVE 36" HIGH COOK TOP (see note below)						
		24"	25"	26"	27"	28"	29"	30"
		MOUNTING BRACKET CENTER HOLE LOCATION ABOVE 36" HIGH COOK TOP						
8 FEET	DUCTED	37-7/8"	38-7/8"	39-7/8"	40-7/8"	41-7/8"	42-7/8"	43-7/8"
	NON-DUCTED	37-7/8"	38-7/8"	39-7/8"	40-7/8"	41-7/8"	42-7/8"	43-7/8"
9 FEET	DUCTED OR NON-DUCTED	---	---	---	40-7/8"	41-7/8"	42-7/8"	43-7/8"
10 FEET (see note b.)		37-7/8"	38-7/8"	39-7/8"	40-7/8"	41-7/8"	42-7/8"	43-7/8"

Notes:

- Minimum hood distance above cook top must not be less than 24". A maximum of 30" above cook top is highly recommended for best capture of cooking impurities. Distances over 30" are at the installer and user's discretion; and if ceiling height and flue length permit.
- Requires optional 10' flue extension, ducted model AEWC345IQSB or non-ducted model AEWC345IQSBN.

INSTALL CENTER BRACKET

- Install center bracket using (4) M4x8 screws. Fig. 7.

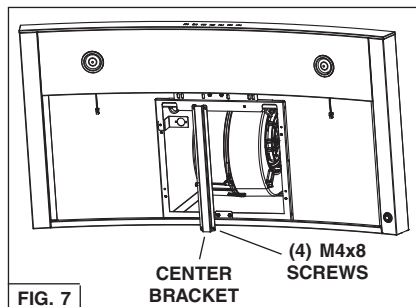
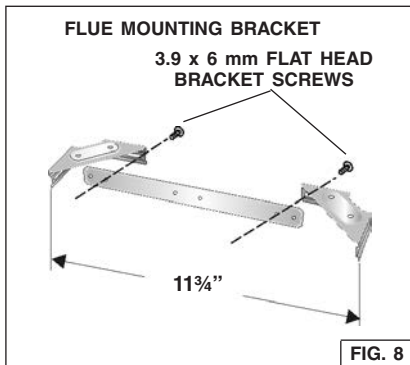


FIG. 7

INSTALL FLUE MOUNTING BRACKET

DUCTED AND NON-DUCTED HOODS

1. Assemble the flue mounting bracket, adjusting outside width as shown. Fig. 8.
2. **Carefully** center the mounting bracket directly over the range hood location.
3. Secure the bracket assembly to the ceiling using (2) 4.8 x 38 mm mounting screws and drywall anchors. Fig. 9. Make sure the bracket is pushed into the corner, tight against the wall and centered over the hood.

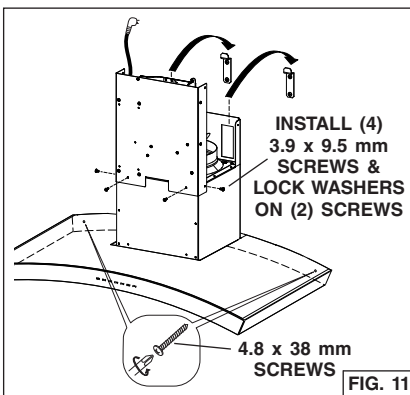
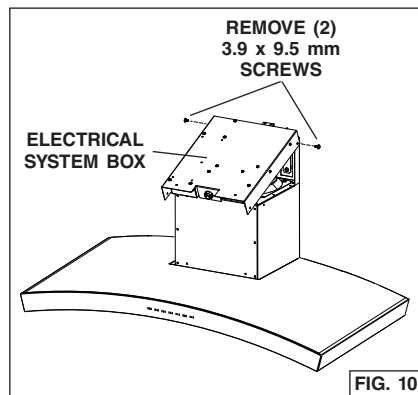
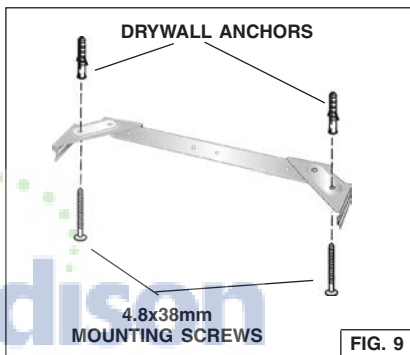


INSTALL THE HOOD

Note: Remove the plastic protective film from all exterior surfaces, decorative flues and filters, prior to final installation. Remove filters. (Refer to the "Install Filters" Section.)

DUCTED and NON-DUCTED INSTALLATION

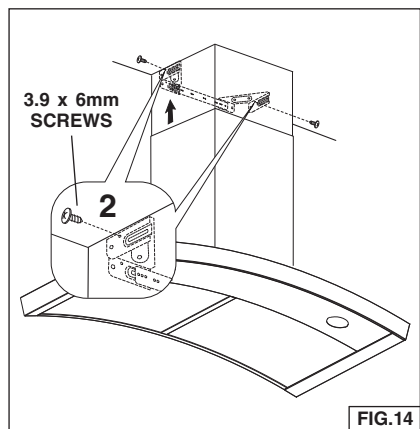
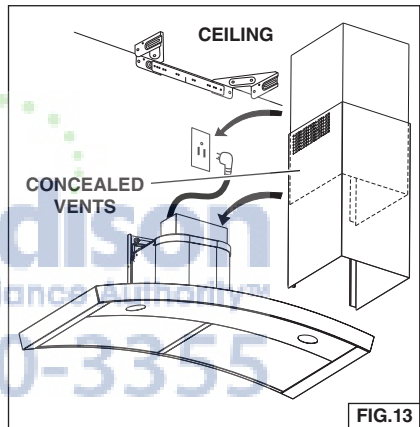
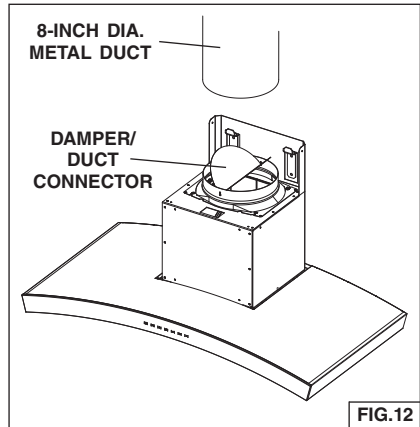
1. Remove the electrical system box from chimney frame by removing (2) 3.9 x 9.5 mm screws. Fig. 10.
2. Attach electrical system box to frame using (2) 3.9 x 9.5 mm screws removed in Step 1 and (2) 3.9 x 9.5 mm screws and (2) lock washers from hardware bag.
3. Install hood onto the wall mounting brackets. Fig. 11. Adjust leveling screws on mounting brackets to level hood with floor.
3. Mark and install (2) additional screws as shown. Use drywall anchors only if necessary.



DUCTED INSTALLATION ONLY

Note: Rooms with 10-foot ceiling require flue extension model AEW3451QSB, available from your local dealer. Discard the upper flue supplied with the range hood and replace it with the longer flue extension.

1. Remove protective tape from blower outlet before installing damper to hood with (4) screws supplied and tape joint with aluminum duct tape. Fig. 12.
2. Run 8-inch diameter metal ductwork to the outside location.
3. Install an appropriate wall or roof cap with damper to exhaust the air to the outside.
4. Tape all duct joints with aluminum duct tape.
5. Plug power cord into wall outlet. Fig. 13.
6. Install upper and lower decorative flues onto the range hood.
 - Vents are concealed on 8-foot ceilings.
 - Vents are exposed on 9-foot ceilings.
7. Secure upper flue to flue mounting bracket with (2) 3.9 x 6 mm screws. Fig. 14

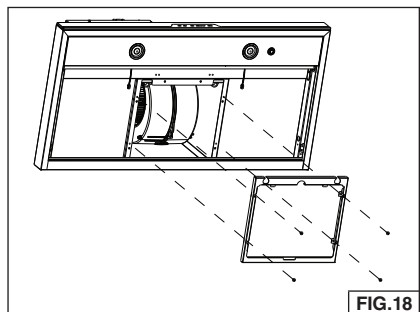
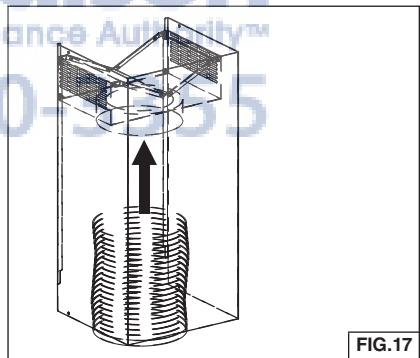
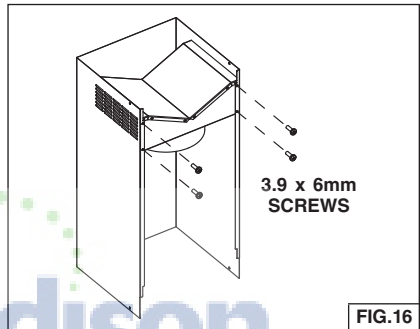
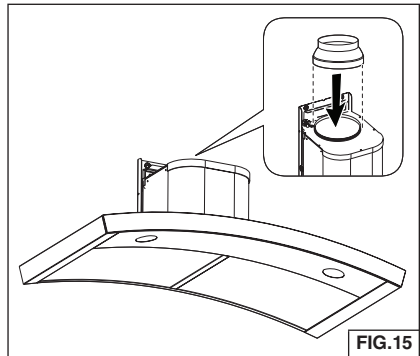


NON-DUCTED INSTALLATION ONLY

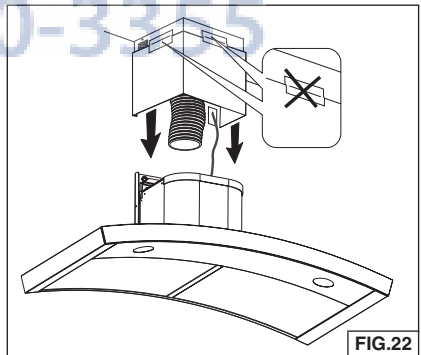
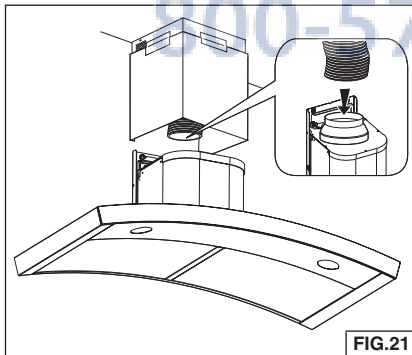
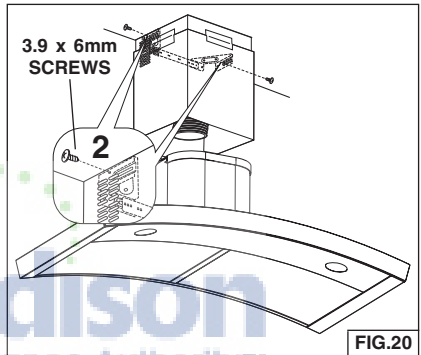
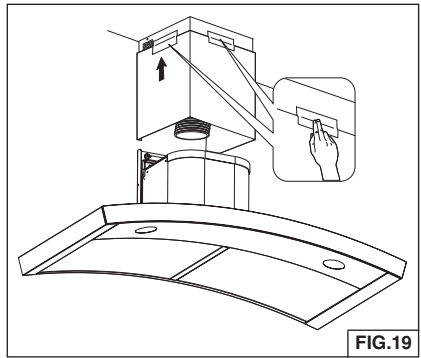
Note:

- a. Purchase Model ANKWC345 Non-ducted Recirculation Kit.
- b. Rooms with 10-foot ceiling require flue extension model AEWC3451QSBN, available from your local dealer. Discard the upper flue supplied with the range hood and replace it with the longer flue extension.

1. Install discharge collar supplied with the range hood. Fig. 15.
2. Attach the 6"-to-8" adapter to blower discharge and tape joint with aluminum duct tape. Fig. 15.
3. Install the plenum to the upper decorative flue using (4) 3.4 x 15 mm screws provided as shown. Fig. 16.
4. Attach 6-inch expandable ducting to the plenum and tape joint with aluminum duct tape. Fig. 17.
5. Attach non-duct filter frame using (4) 3.9 x 6 mm screws. Fig. 18.



6. Temporarily secure the upper and lower flue together with duct tape as shown. Fig. 19.
7. Lift the flue into position above the hood. Secure upper flue to the flue mounting bracket with (2) 3.9 x 6 mm screws. Fig. 20.
8. Stretch expandable duct, attach it to the 6"-to-8" adapter and tape duct joints. Fig. 21.
9. Plug power cord into wall outlet.
10. Remove tape from flues and lower into position on the hood. Fig. 22.

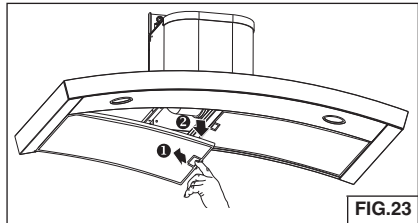


INSTALL FILTERS

DUCTED AND NON-DUCTED HOODS

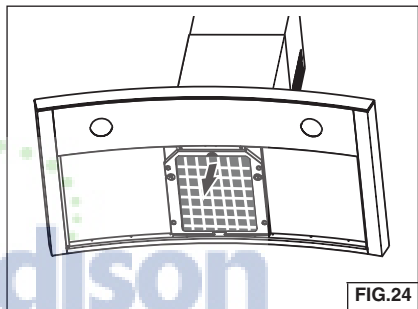
1. To remove the GREASE filter, pull down latch tab to disengage the filter from the hood. Tilt the filter downward and remove. Fig. 23.
2. To install the GREASE filter, align rear filter tabs with slots in the hood. Pull down latch tab, push filter into position and release. Make sure the filter is securely engaged after installation. Fig. 24.

NOTE: Prior to use, remove protective film from the filter frame.



NON-DUCTED HOODS ONLY

1. To remove the CHARCOAL filter, grip and push filter tab toward rear of hood. Pull the filter down to disengage the rear filter tabs. Fig. 23.
2. To install the CHARCOAL filter, align filter in rectangular opening. Push filter against springs in rear of hood and press into place. Make sure the filter is securely engaged after assembly.
3. Install GREASE filter after charcoal filter is installed.



AjMadison
Your Appliance Authority™
800-570-3355

CALIBRATE IQ BLOWER SYSTEM™

INTERNAL BLOWER DUCTED UNITS ONLY

After the hood is installed and wired, engage the calibration process (our Guaranteed Performance System Technology to ensure full-rated airflow is being delivered). Prior to calibration, ensure that all filters, light bulbs and duct system are installed.

CALIBRATION PROCESS Fig. 25.

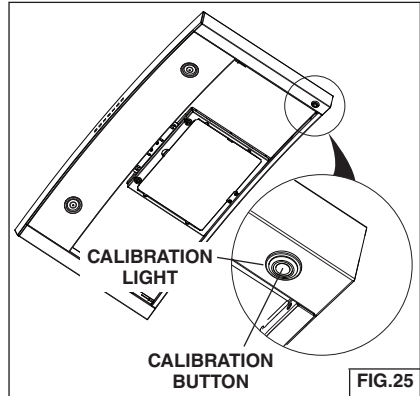
Hold the calibration button for 3 seconds; calibration button will light up and stay on for up to 13 minutes. The blower will start and begin the calibration process. When calibration is complete, one of two things will occur:

- A. The blower turns off and calibration button light turns off = Successful calibration.
- B. The blower turns off and calibration button light blinks continuously = Too much restriction in the ductwork is preventing the IQ Blower System™ from achieving the rated airflow. The blower is automatically set to maximum intensity.

NOTE: Common items that cause restrictions: restricted damper flap (backdraft damper, wall cap, roof cap), too many elbows, duct size less than 80% of hood outlet, poor transition, use of flex ducting and/or crushed ducting.

Two options are available:

1. Press the calibration button to accept airflow as is. The IQ Blower System™ is now configured to its highest possible setting. The blinking calibration light goes out.
2. Correct duct restriction and repeat the calibration process.
 - a. To clear the original calibration data, hold calibration button for 10 seconds. The light will blink 3 times to confirm and the blower configuration will go back to default settings.
 - b. Repeat calibration process.



EXTERNAL BLOWER PROGRAMMING MODE PROCEDURE (WC35E)

✨	0 1	2	3	4	⌚	F
Light Switch	Blower On / Off	Blower Speed 2	Blower Speed 3	Blower Speed 4	Time Delay	Filter Reset

FIG. 26

The range hood is designed to work with several different blower models. Before using, the control must first be programmed to your blower model, in order to achieve proper operating speeds.

From the chart below:

1. Find the SETUP number that corresponds to the blower model that is installed with your range hood.
2. The control is factory-preset to SETUP 3. If your blower model is listed under SETUP 3, no programming is required and the range hood is ready to use.

	SETUP 0 1	SETUP 2	SETUP 3 (default)
BLOWER MODEL NUMBER	EB6 ILB3 ILB6	EB12 EB15 ILB9	EB9 ILB11

3. To program blower models listed under SETUP 1 and 2:
 - A) Power must be supplied to the hood. The blower and lights must be turned off.
 - B) Press and hold | F | for 5 seconds. | 0 1 | + | 2 | + | 3 | will flash 3 times. After 1 second, | 0 1 |, | 2 | or | 3 | will light up to indicate the current setting.
 - C) Select the proper SETUP for your blower from the chart at left. Press | 0 1 |, | 2 | or | 3 | to select the proper SETUP. Then press | F | to confirm and store the new setting.
 - D) The range hood is now ready to use.

SERVICE PARTS

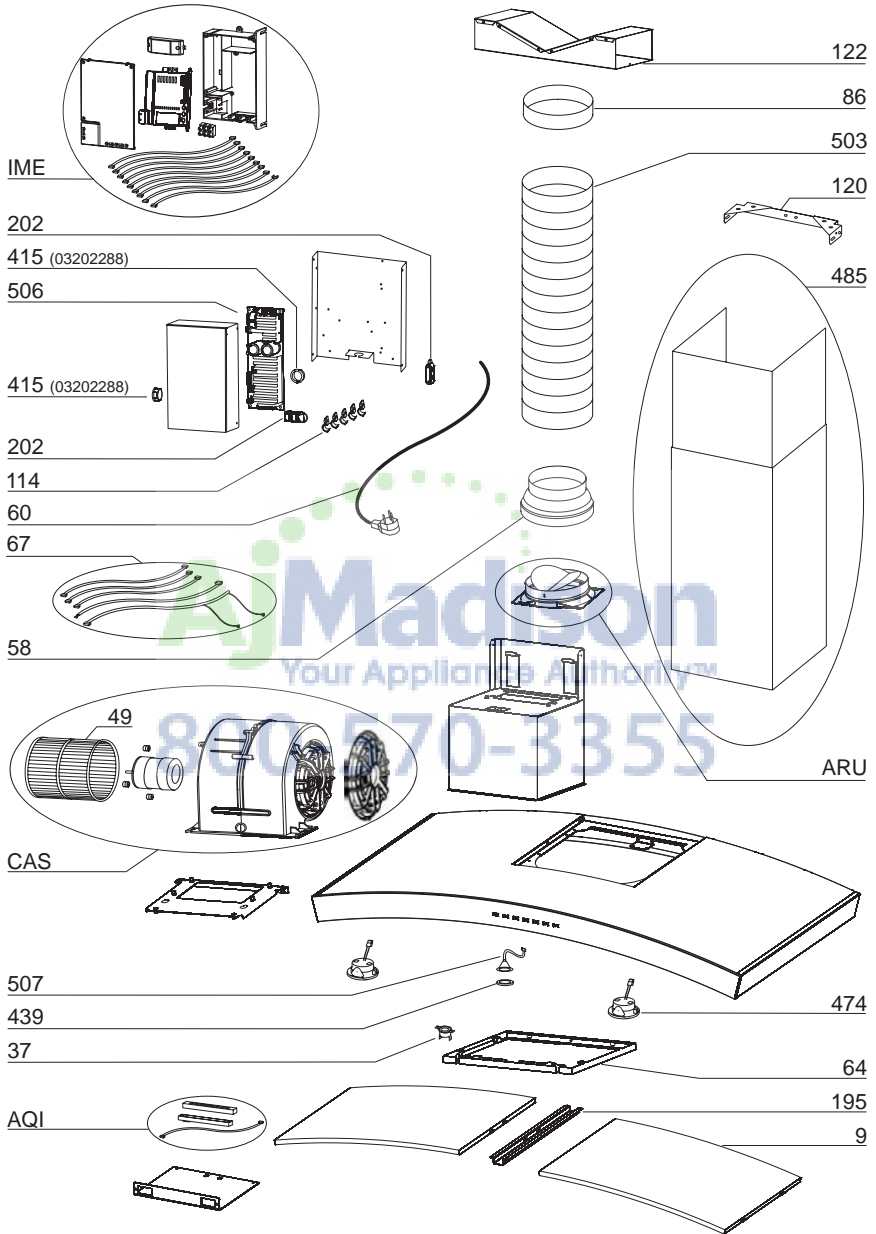
WC35IQ SERIES

KEY NO.	DESCRIPTION	PART NO.
CAS	BLOWER ASSEMBLY	06002259
49	FAN (CLOCK WISE)	03295071
IME	ELECTRICAL INSTALLATION ASSEMBLY	06145222
114	RUNNER WIRES	032904990
506	BLDC DRIVER	97019431
67	WIRES	06102592
202	REFLECTOR STOP	03292290
415	FAIRLEAD	03202288
60	FEEDER CABLE	02300249
415	FAIRLEAD	03202288
37	KNOB	02300804
474	LED LAMP	08093413
AQI	SWITCH BOX ASSEMBLY	06102590
439	STOP RING	02320034
507	WIRE CALIBRATION BUTTON	06102584
195	BRACKET	E3351078
9	GREASE FILTER	08087823
ARU	CONNECTION AIR OUTLET SET	080810849
485	TELESCOPIC DUCT KIT	08016368
120	FLUE MOUNTING BRACKET	08091851
195	CENTER BRACKET	E3351078
122	NON-DUCT PLENUM	08093478
86	6" ADAPTER RING	032292300
503	6" EXPANDABLE DUCT	02011557
58	8" TO 6" REDUCER	03294170

800-570-3355

SERVICE PARTS

WC35IQ SERIES



SERVICE PARTS

WC35E SERIES

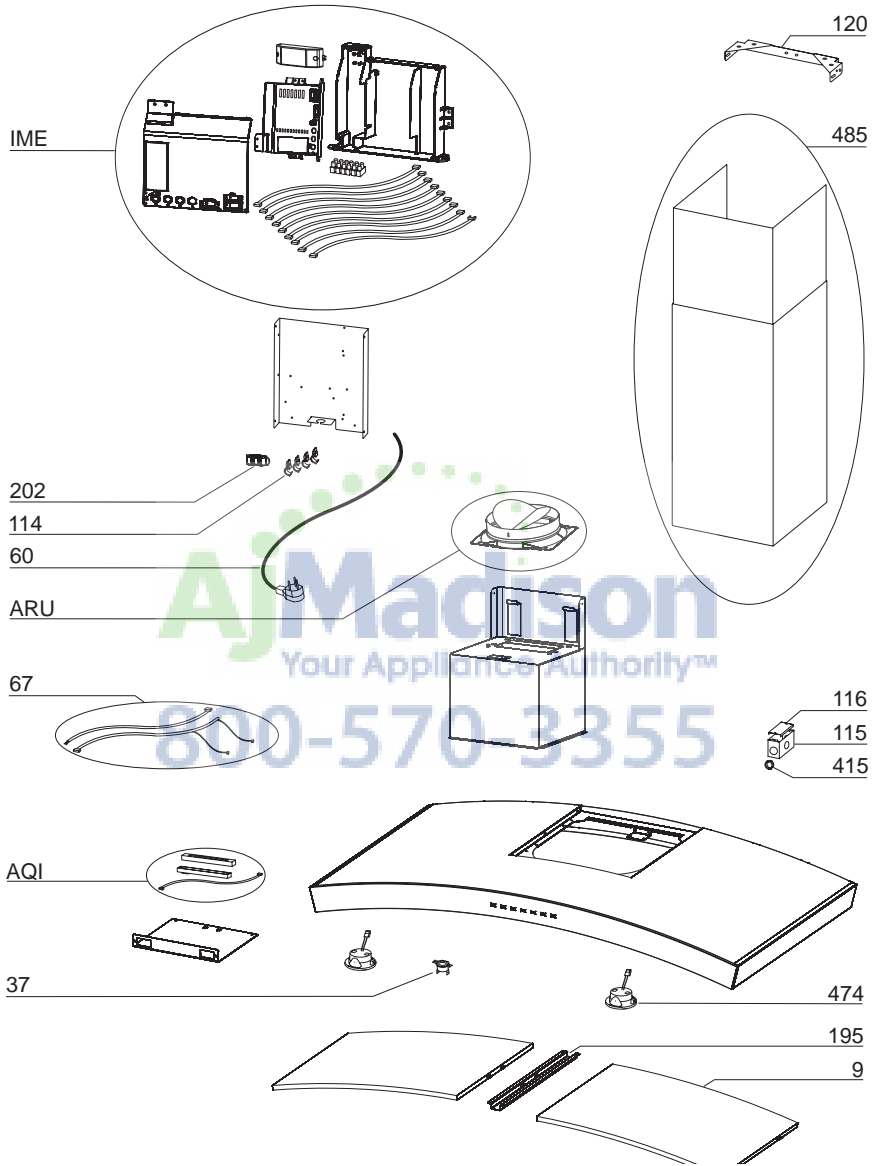
KEY NO.	DESCRIPTION	PART NO.
IME	ELECTRICAL INSTALLATION ASSEMBLY	06145223
166	ELECTRICAL PRINTED CIRCUIT BOARD	08080877
145	FEEDER CABLE CONNECTION BOX	032920170
147	JUNCTION CLAMP	R2300132
146	FEEDER CABLE CONNECTION BOX COVER	032920180
151	ELECTRICAL BOX WIRES STOP	032920200
114	RUNNER WIRES	032904990
67	WIRES	06102593
60	FEEDER CABLE	02300249
37	KNOB	02300804
474	LED LAMP	08093413
AQI	SWITCH BOX ASSEMBLY	06102591
195	BRACKET	E3351078
9	GREASE FILTER	08087823
ARU	CONNECTION AIR OUTLET SET	080810849
485	TELESCOPIC DUCT KIT	08016368
120	FLUE MOUNTING BRACKET	08091851
195	CENTER BRACKET	E3351078

**AjMadison**
Your Appliance Authority™

800-570-3355

SERVICE PARTS

WC35E SERIES



WARRANTY

ONE YEAR LIMITED WARRANTY FOR BEST PRODUCTS

Broan-NuTone LLC (Broan-NuTone) warrants to the original consumer purchaser of Best products that such products will be free from defects in materials or workmanship for a period of one year from the date of original purchase. THERE ARE NO OTHER WARRANTIES, EXPRESS OR IMPLIED, INCLUDING, BUT NOT LIMITED TO, IMPLIED WARRANTIES OR MERCHANTABILITY OR FITNESS FOR A PARTICULAR PURPOSE.

During this one-year period, Broan-NuTone will, at its option, repair or replace, without charge, any product or part which is found to be defective under normal use and service.

THIS WARRANTY DOES NOT EXTEND TO FLUORESCENT LAMP STARTERS, TUBES, HALOGEN AND INCANDESCENT BULBS, FUSE, FILTERS, DUCTS, ROOF CAPS, WALL CAPS AND OTHER ACCESSORIES FOR DUCTING. This warranty does not cover (a) normal maintenance and service or (b) any products or parts which have been subject to misuse, negligence, accident, improper maintenance or repair (other than by Broan-NuTone), faulty installation or installation contrary to recommended installation instructions.

The duration of any implied warranty is limited to the one-year period as specified for the express warranty. Some states do not allow limitation on how long an implied warranty lasts, so the above limitation may not apply to you.

BROAN-NUTONE'S OBLIGATION TO REPAIR OR REPLACE, AT BROAN-NUTONE'S OPTION, SHALL BE THE PURCHASER'S SOLE AND EXCLUSIVE REMEDY UNDER THIS WARRANTY. BROAN-NUTONE SHALL NOT BE LIABLE FOR INCIDENTAL, CONSEQUENTIAL OR SPECIAL DAMAGES ARISING OUT OF OR IN CONNECTION WITH PRODUCT USE OR PERFORMANCE. Some states do not allow the exclusion or limitation of incidental or consequential damages, so the above limitation or exclusion may not apply to you.

This warranty gives you specific legal rights, and you may also have other rights, which vary from state to state. This warranty supersedes all prior warranties.

To qualify for warranty service, you must (a) notify Broan-NuTone at the address stated below or telephone number stated below, (b) give the model number and part identification and (c) describe the nature of any defect in the product or part. At the time of requesting warranty service, you must present evidence of the original purchase date.

In USA - Best®, 926 W. State Street, Hartford, WI 53027 (800-558-1711)

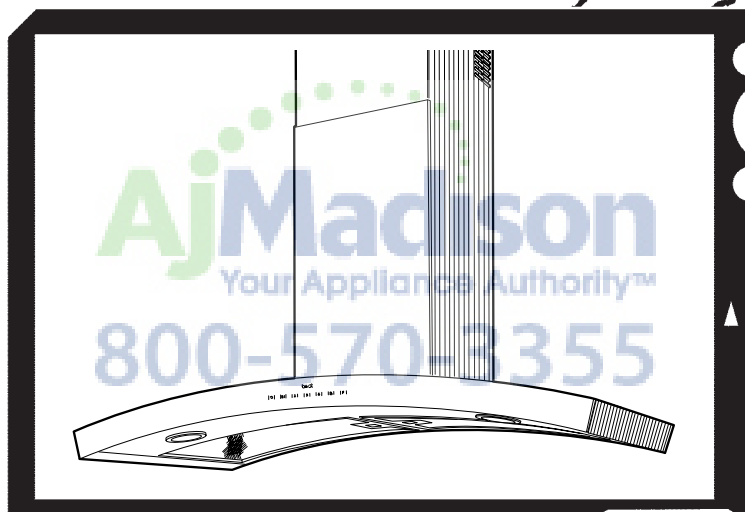
In Canada - Best®, 550 Lemire Blvd., Drummondville, QC J2C 7W9 (866-737-7770)

www.BestRangeHoods.com



AjMadison
Your Appliance Authority™
800-570-3355

best®



Série WC35

ENGLISH.....	2
FRANÇAIS.....	24
ESPAÑOL.....	47

Aux États-Unis - BEST Hartford, Wisconsin
Au CANADA - BEST Drummondville, QC, Canada

ENREGISTREZ VOTRE PRODUIT EN LIGNE À : www.BestRangeHoods.com/register
Pour de plus amples informations, visitez www.BestRangeHoods.com

LIRE CES DIRECTIVES ET LES CONSERVER

⚠ POUR USAGE DOMESTIQUE SEULEMENT ⚠

⚡ ⚠ AVERTISSEMENT

OBSERVEZ LES DIRECTIVES CI-DESSOUS AFIN DE RÉDUIRE LES RISQUES D'INCENDIE, DE CHOC ÉLECTRIQUE OU DE BLESSURES CORPORELLES :

1. N'utilisez cet appareil que de la manière prévue par le fabricant. Si vous avez des questions, communiquez avec le fabricant à l'adresse ou au numéro de téléphone indiqués dans la garantie.
2. Avant de procéder à la réparation ou à l'entretien de l'appareil, coupez l'alimentation du panneau électrique et verrouillez l'interrupteur principal afin d'empêcher que le courant ne soit accidentellement rétabli. S'il est impossible de verrouiller l'interrupteur principal, fixez solidement un message d'avertissement, par exemple une étiquette, sur le panneau électrique.
3. La pose de l'appareil et les travaux d'électricité doivent être effectués par des personnes qualifiées conformément à la réglementation en vigueur, notamment les normes de la construction ayant trait à la protection contre les incendies.
4. Pour éviter les refoulements, l'apport d'air doit être suffisant pour brûler les gaz produits par les appareils à combustion et les évacuer dans le conduit de fumée (cheminée). Respectez les directives du fabricant de l'appareil de chauffage et les normes de sécurité, notamment celles publiées par la National Fire Protection Association (NFPA), l'American Society for Heating, Refrigeration and Air Conditioning Engineers (ASHRAE) et les codes des autorités locales.
5. Veillez à ne pas endommager le câblage électrique ou d'autres équipements non apparents lors de la découpe ou du perçage du mur ou du plafond.
6. Les ventilateurs canalisés doivent toujours rejeter l'air à l'extérieur.
7. N'utilisez pas de commande de régime à semi-conducteurs conjointement avec cet appareil.
8. Pour réduire les risques d'incendie, utilisez seulement des conduits en métal.

INSTRUCTIONS DE MISE À LA TERRE

Cet appareil doit être correctement mis à la terre. Dans l'éventualité d'un court-circuit, la mise à la terre réduit les risques de décharge électrique en permettant au courant de s'échapper dans un fil. Cet appareil comporte un cordon électrique muni d'un fil et d'une fiche de mise à la terre. Cette fiche doit être branchée dans une prise de courant correctement installée et mise à la terre.

AVERTISSEMENT - Une mise à la terre incorrecte peut entraîner un risque de choc électrique.

Consultez un électricien qualifié si vous ne comprenez pas complètement les directives de mise à la terre ou si vous n'êtes pas sûr que l'appareil comporte une mise à la terre adéquate.

N'utilisez pas de rallonge électrique. Si le cordon électrique est trop court, demandez à un électricien qualifié d'installer une prise de courant près de l'appareil.

AVERTISSEMENT

POUR RÉDUIRE LES RISQUES D'INCENDIE CAUSÉS PAR DE LA GRAISSE SUR LE PLAN DE CUISSON :

- A. Ne laissez jamais les éléments de surface allumés à haute température. Les débordements peuvent causer de la fumée et occasionner des écoulements de graisse inflammables. L'huile doit être chauffée graduellement à basse ou à moyenne température.
- B. Mettez toujours la hotte en MARCHÉ lors de la cuisson à feu vif ou lors de la cuisson d'aliments à flamber (par ex., crêpes Suzette, cerises jubilé, bœuf au poivre flambé).
- C. Nettoyez souvent la hotte. Ne laissez pas la graisse s'accumuler sur le ventilateur ou les filtres.
- D. Utilisez des casseroles de dimension appropriée. Utilisez toujours une batterie de cuisine adaptée à la dimension de la surface chauffante.

OBSERVEZ LES CONSIGNES SUIVANTES DE MANIÈRE À RÉDUIRE LES RISQUES DE BLESSURES CORPORELLES EN CAS D'INCENDIE CAUSÉ PAR DE LA GRAISSE SUR LE PLAN DE CUISSON :*

1. **ÉTOUFFEZ LES FLAMMES** à l'aide d'un couvercle étanche, d'une tôle à biscuits ou d'un plateau en métal puis éteignez le brûleur. FAITES ATTENTION DE NE PAS VOUS BRÛLER. Si les flammes ne s'éteignent pas immédiatement, QUITTEZ LES LIEUX ET APPELEZ LE SERVICE DES INCENDIES.
2. **NE SOULEVEZ JAMAIS UNE CASSEROLE EN FLAMMES** – vous pourriez vous brûler.
3. **N'UTILISEZ PAS D'EAU**, ni de serviettes ou de linges mouillés – une violente explosion de vapeur pourrait survenir.
4. Utilisez un extincteur **SEULEMENT** si :
 - A. Vous savez qu'il est de classe ABC et vous connaissez déjà son mode de fonctionnement.
 - B. L'incendie n'est pas très important et ne se propage pas.
 - C. Les pompiers ont été avisés.
 - D. Vous pouvez combattre l'incendie en faisant dos à une sortie.

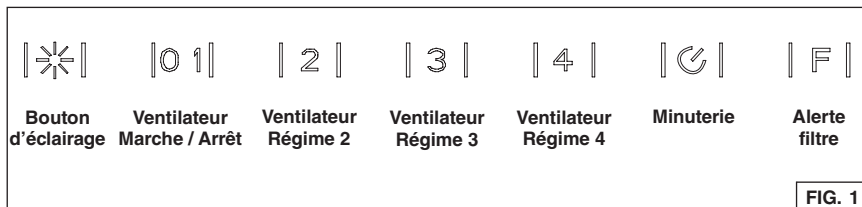
* Conseils tirés de la publication de la NFPA « Kitchen Fire Safety Tips ».

ATTENTION

1. Pour usage intérieur seulement.
2. Pour réduire les risques d'incendie et évacuer l'air correctement, assurez-vous qu'il est canalisé à l'extérieur. N'évacuez pas l'air dans des espaces enfermés par des murs ou un plafond ou dans un grenier, un vide sanitaire ou un garage.
3. Faites attention lorsque vous utilisez des agents nettoyants ou des détergents.
4. Évitez d'utiliser des produits alimentaires pouvant produire des flammes sous la hotte.
5. Pour ventilation générale uniquement. N'utilisez pas cet appareil pour évacuer des matières ou des vapeurs dangereuses ou explosives.
6. Pour éviter d'endommager les roulements de moteur, de déséquilibrer les pales ou de les rendre bruyantes, débarrassez l'appareil de la poussière de plâtre, de construction, etc.
7. Le moteur de la hotte est muni d'un dispositif de protection thermique qui coupe automatiquement le moteur en cas de surchauffe. Il se remet en marche lorsqu'il a refroidi. Faites réparer la hotte si le moteur continue à fonctionner par intermittence.
8. Pour mieux capter les vapeurs de cuisson, le bas de la hotte doit être au minimum à 61 cm (24 po) et au maximum à 76,2 cm (30 po) de la surface de cuisson. Pour les restrictions s'appliquant au montage, voir la section « Installation de la bride de montage ».
9. Il est recommandé d'avoir deux installateurs, compte tenu de la taille et du poids de cette hotte.
10. Ce produit est doté d'un thermostat qui peut faire démarrer automatiquement le ventilateur. Pour réduire les risques de blessures, coupez l'alimentation sur le panneau électrique et verrouillez-le ou accrochez-y une étiquette de manière à éviter que le courant ne soit rétabli par accident.
11. Veuillez lire l'étiquette de spécifications du produit pour obtenir plus de renseignements, notamment sur les exigences.
12. **MODÈLES VENTILATEUR EXTERNE SEULEMENT** : Pour réduire les risques d'incendie et de choc électrique, installez cette hotte uniquement avec un ventilateur extérieur Best de modèle EB6, EB9, EB12 ou EB15 ou un ventilateur intermédiaire Best de modèle ILB3, ILB6, ILB9 ou ILB11. Ne pas leur substituer un autre ventilateur. Ventilateurs vendus séparément.

FONCTIONNEMENT

Commandes (Fig. 1)



Cette hotte est munie de la technologie capacitive tactile la plus récente. Les boutons ne bougent pas mais sont sensibles au toucher. Lorsqu'un contact tactile est enregistré, la commande émet un son.

Le bouton **Éclairage** allume et éteint les lumières DEL. Appuyez une fois sur ce bouton pour allumer les lumières. Appuyez de nouveau pour éteindre les lumières.

Le bouton **Ventilateur Marche/Arrêt** fait démarrer le ventilateur à son régime le plus lent. Appuyez de nouveau pour arrêter le ventilateur.

Le bouton **Ventilateur Régime 2** augmente la vitesse du ventilateur au régime lent-moyen.



Le bouton **Ventilateur Régime 3** augmente la vitesse du ventilateur au régime moyen-rapide.

Le bouton **Ventilateur Régime 4** augmente la vitesse du ventilateur au régime élevé.

Le bouton **Minuterie** actionne la fonction d'arrêt différé. Appuyez une fois pour activer l'arrêt différé de 5 minutes, quelle que soit la vitesse du ventilateur. Appuyez de nouveau pour désactiver la minuterie.

Le bouton **Alerte filtre** s'allume après 30 heures de fonctionnement pour indiquer qu'il est temps de nettoyer les filtres. Une fois les filtres nettoyés ou remplacés, appuyez une fois sur ce bouton pour réamorcer l'alerte de filtre.

Mode de nettoyage désactive les contrôles pour le nettoyage du verre. Appuyez et maintenez

 et  pendant 5 secondes. Répéter pour réactiver les contrôles.

Fonction d'arrêt automatique

Si le ventilateur ou l'éclairage reste continuellement allumé pendant 10 heures sans que l'utilisateur interagisse avec les commandes, la hotte s'arrêtera automatiquement. Appuyez sur tout bouton de commande pour remettre la hotte en marche.

THERMOSTAT HEAT SENTRY^{MC}

Votre hotte est équipée d'un thermostat HEAT SENTRY^{MC}. Ce dispositif actionne ou accélère le ventilateur s'il détecte une chaleur excessive au-dessus de la surface de cuisson.

1) Si le ventilateur est ARRÊTÉ, il le met en MARCHÉ au régime ÉLEVÉ.

2) Si le ventilateur est en MARCHÉ à basse vitesse, il l'accélère au régime ÉLEVÉ.

Une fois la température revenue à la normale, le ventilateur revient à son réglage d'origine.

AVERTISSEMENT

Le thermostat HEAT SENTRY peut faire démarrer le ventilateur même si la hotte est ARRÊTÉE. Lorsque cela se produit, il est impossible d'ARRÊTER le ventilateur avec son interrupteur. Si vous devez arrêter le ventilateur, coupez le disjoncteur du panneau d'alimentation électrique.

AMPOULES DEL

Cette hotte comprend des ampoules DEL qui n'exigent aucun entretien.

NETTOYAGE ET ENTRETIEN

Un entretien adéquat de la hotte assurera son bon fonctionnement.

Moteur

Le moteur est lubrifié en permanence et n'a pas besoin d'être huilé. Si les roulements du moteur sont anormalement bruyants, remplacez le moteur exactement par le même modèle. La roue à ailettes doit aussi être remplacée.

Filtre à graisses

Le filtre à graisses doit être nettoyé fréquemment. Utilisez une solution tiède de détergent. Le filtre à graisses est lavable au lave-vaisselle.

Nettoyez les filtres entièrement métalliques au lave-vaisselle avec un détergent sans phosphate. Une décoloration du filtre peut se produire si des détergents phosphatés sont utilisés et selon les conditions locales de l'eau, sans toutefois affecter le rendement du filtre. Cette décoloration n'est pas couverte par la garantie.

Voir la section « INSTALLATION DES FILTRES » pour leur enlèvement et leur pose.

Filtre de recirculation pour installation sans conduits

Dans une installation sans conduit, le filtre de recirculation doit être remplacé tous les six mois. Remplacez-le plus souvent si le type de cuisine produit plus de graisses, telle que la friture et la cuisson au wok. Voir la section « INSTALLATION DES FILTRES » pour leur enlèvement et leur pose.

Nettoyage de l'acier inoxydable

À FAIRE :

- Régulièrement, nettoyez toutes les surfaces avec un chiffon propre imbibé d'eau tiède et de savon doux ou de liquide à vaisselle.
- Nettoyez toujours dans le sens des lignes du poli original.
- Rincez toujours à l'eau propre (2 ou 3 fois) après le nettoyage. Séchez complètement en essuyant.
- Vous pouvez également utiliser un nettoyeur spécial pour acier inoxydable.

À NE PAS FAIRE :

- N'utilisez pas de laine d'acier ordinaire ni de laine d'acier inoxydable ou tout genre de grattoir pour déloger la saleté.
- N'utilisez aucun nettoyeur puissant ou abrasif.
- Ne laissez pas la saleté s'accumuler.
- Ne laissez pas la poussière de plâtre ou tout autre résidu de construction pénétrer dans la hotte. Pendant des travaux de construction ou de rénovation, couvrez la hotte pour empêcher la poussière d'adhérer aux surfaces d'acier inoxydable.

À éviter : lors du choix d'un détergent

- Tout nettoyeur contenant de l'eau de javel attaquera l'acier inoxydable.
- Tout produit contenant : du chlore, du fluor, de l'iode ou du brome détériorera rapidement les surfaces.
- Tout produit combustible utilisé pour le nettoyage comme l'acétone, l'alcool, l'éther, le benzol, etc., est hautement explosif et ne doit jamais être utilisé à proximité d'une hotte.

PRÉPARATION DE LA HOTTE

Déballer la hotte et vérifier le contenu de la boîte.

Celle-ci doit contenir les éléments suivants :

- 1 - Hotte
- 1 - Conduit décoratif de cheminée
- 1 - Sac de pièces contenant :
 - 2 - Brides de montage
 - 1 - Ensemble de clapet
 - 1 - Bride de montage de conduit décoratif
 - 8 - Vis de montage (4,8 x 38 mm à tête cylindrique)
 - 4 - Vis de montage (3,9 x 9,5 mm à tête cylindrique)
 - 2 - Vis de montage (3,9 x 6 mm à tête plate)
 - 8 - Chevilles d'ancrage pour cloisons sèches
 - 2 - Rondelles plates
 - 1 - Support de filtre
 - 4 - Vis de montage (4 x 8 mm)
- 1 - Directives d'installation

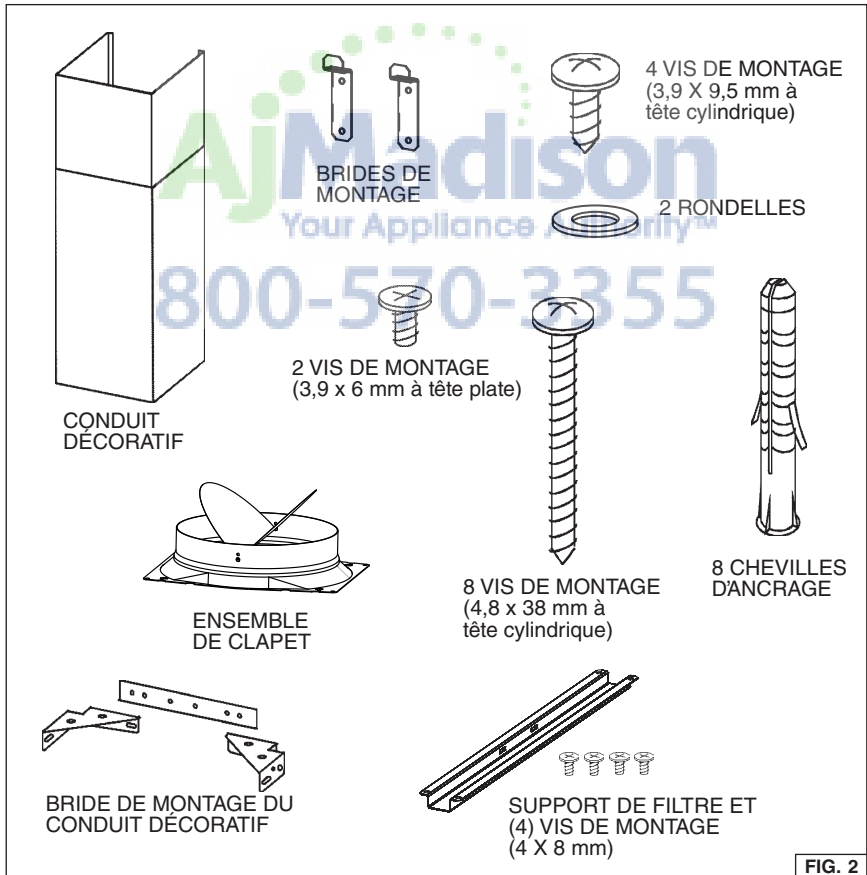


FIG. 2

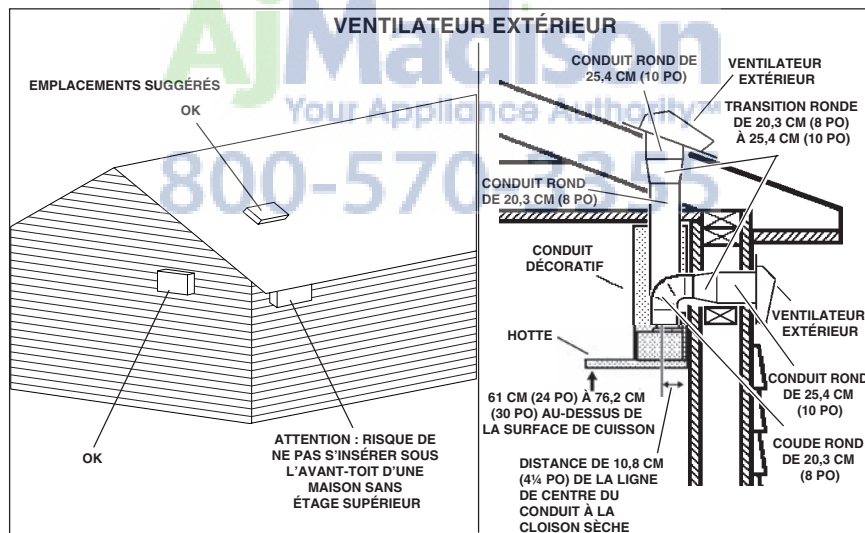
CHOIX D'UN VENTILATEUR EXTÉRIEUR OU INTERMÉDIAIRE (WC35E)

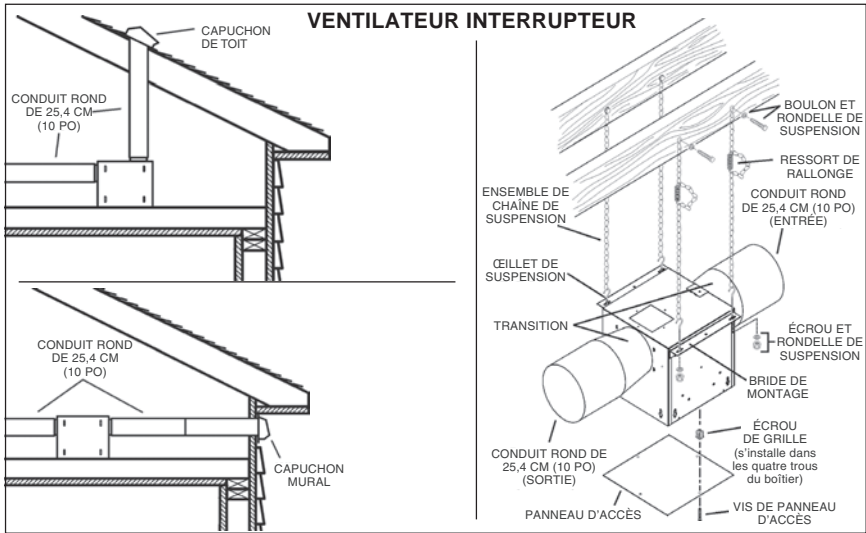
ATTENTION : Vous pouvez utiliser un ventilateur extérieur ou intermédiaire avec cette hotte. La hotte doit être installée uniquement avec un ventilateur de modèle EB6, EB9, EB12, EB15, ILB3, ILB6, ILB9 ou ILB11. D'autres ventilateurs ne peuvent pas leur être substitués (ventilateurs vendus séparément).

POSE DU CONDUIT

REMARQUE : Pour réduire les risques d'incendie, utilisez seulement des conduits en métal.

1. Choisissez l'endroit où le ventilateur extérieur ou intermédiaire sera monté. Voir les illustrations ci-dessous pour les restrictions et les suggestions s'appliquant au lieu de montage.
2. Un tracé droit et court permet à la hotte d'être plus efficace.
3. Des conduits longs, des coudes et des transitions réduisent l'efficacité de la hotte. N'en utilisez que le moins possible. Pour plus d'efficacité, des conduits plus gros peuvent être nécessaires si le parcours est trop long.
4. Après avoir installé le ventilateur extérieur ou intermédiaire, connectez un conduit rond en métal en progressant vers la hotte. Scellez les joints avec du ruban entre chaque section de conduit.
5. Un raccord de transition rond (Modèle 414) de 20,3 cm (8 po) à 25,4 cm (10 po) est nécessaire. Pour plus d'efficacité, installez la transition aussi proche que possible de la hotte.







 Your Appliance Authority™

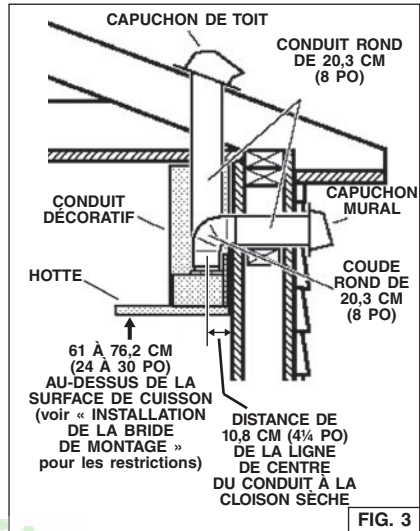
800-570-3355

POSE DU CONDUIT

HOTTES AVEC CONDUITS SEULEMENT

ATTENTION : Pour réduire les risques d'incendie, utilisez seulement des conduits en métal.

1. Décidez de l'emplacement des conduits entre la hotte et l'extérieur. Fig. 3.
2. Un tracé droit et court permet à la hotte d'être plus efficace.
3. Des conduits longs, des coudes et des transitions réduisent son efficacité. N'en utilisez que le moins possible. Pour plus d'efficacité, des conduits plus gros peuvent être nécessaires si le parcours est trop long.
4. Installez le capuchon mural ou de toit. Connectez un conduit rond en métal au chapeau en progressant vers la hotte. Scellez les joints avec du ruban à conduit à chaque section.

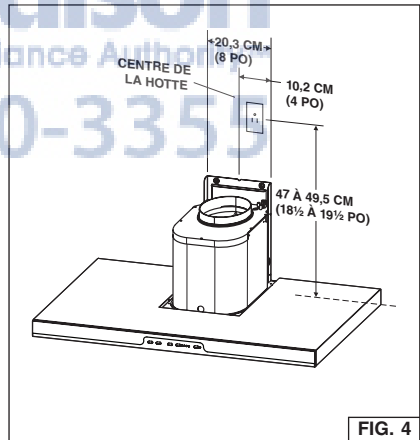


CÂBLAGE

HOTTES AVEC ou SANS CONDUITS

⚠ AVERTISSEMENT : Les travaux d'électricité doivent être effectués par des personnes qualifiées en respectant les codes et les normes en vigueur. Cette hotte de cuisine doit être correctement mise à la terre. Avant d'effectuer le câblage, coupez le courant sur le panneau d'alimentation électrique.

1. Planifiez l'emplacement de la hotte au-dessus de la surface de cuisson. Consultez la section « INSTALLATION DE LA BRIDE DE MONTAGE » pour les différentes hauteurs de montage de la hotte.
2. Installez une boîte électrique standard de 5,1 x 10,2 (2 x 4 po) et une prise de courant à 3 broches, 125 volts, 15 ampères avec mise à la terre. Fig. 4.
3. Installez le centre de la prise de courant 47 à 49,5 cm (18 1/2 à 19 1/2 po) au-dessus du bas de la hotte.
4. Placez la prise en respectant les limites indiquées et décentrée par rapport au conduit (pour permettre le branchement du cordon électrique et le passage du conduit).



CONNEXIONS ÉLECTRIQUES DU VENTILATEUR EXTÉRIEUR

Raccordement du ventilateur à la hotte :

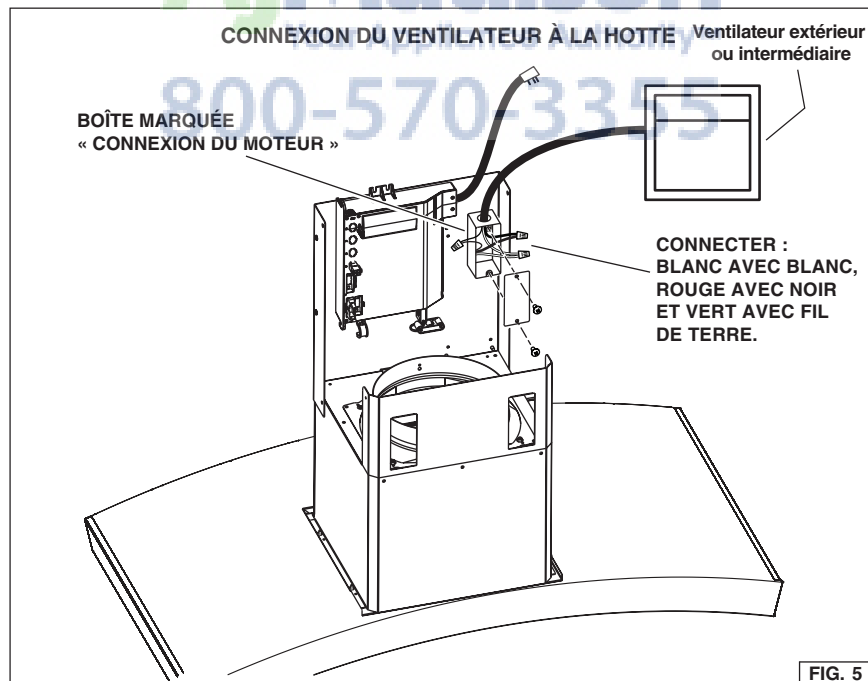
1. Acheminez un câble électrique à deux fils plus un fil de terre du ventilateur extérieur ou intermédiaire jusqu'à la boîte de câblage de la hotte marquée « connexion du moteur ».
2. Enlevez le couvercle de la boîte de câblage et dégagez une ouverture préamorcée.
3. Enfilez 15,2 cm (6 po) de câble à travers l'ouverture préamorcée et fixez le câble au boîtier avec un connecteur approprié.
4. Effectuez les connexions électriques de la hotte. Branchez les fils **blancs ensemble**, le fil rouge au noir et le fil vert avec le fil de terre.
5. Remplacez le couvercle du boîtier de câblage et les vis. Assurez-vous qu'aucun des câbles n'est coincé entre le couvercle et le boîtier.

Connexion du ventilateur extérieur ou intermédiaire :

1. Effectuez les branchements électriques du ventilateur extérieur ou intermédiaire (voir les instructions fournies avec le ventilateur).

Connexion de l'alimentation de la hotte:

1. Branchez le cordon d'alimentation dans la prise électrique murale.



INSTALLATION DES BRIDES DE MONTAGE

HOTTES AVEC ou SANS CONDUITS

1. Construisez une **charpente** de bois qui **affleure** la surface intérieure des montants du mur. Fig. 6.

Prenez soin :

- a) De centrer cette charpente avec l'emplacement d'installation.
- b) De donner une hauteur suffisante à la charpente afin de pouvoir y fixer solidement les **brides de montage** selon les mesures indiquées.

2. **Une fois la surface du mur finie**, fixez les brides de montage à la charpente à l'aide de (4) vis de 4,8 x 38 mm. Voir le tableau ci-dessous pour l'emplacement des brides de montage.

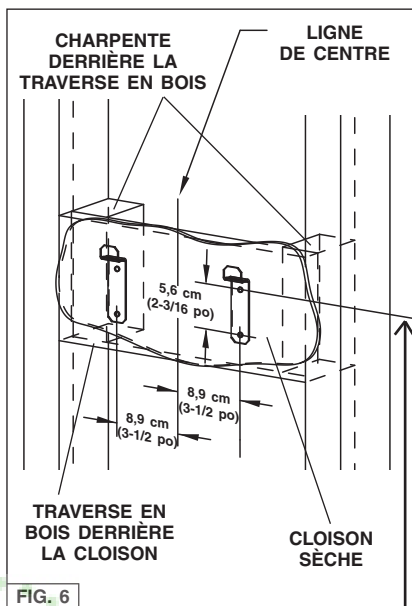


FIG. 6

HAUTEUR DU PLAFOND	MÉTHODE DE CANALISATION	DISTANCE DE LA HOTTE AU-DESSUS D'UNE CUISINIÈRE DE 91 CM (36 PO) DE HAUTEUR (voir la note ci-dessous)						
		61 cm (24 po)	63,5 cm (25 po)	66 cm (26 po)	68,6 cm (27 po)	71,1 cm (28 po)	73,7 cm (29 po)	76,2 cm (30 po)
POSITION DU TROU CENTRAL DE LA BRIDE DE MONTAGE AU-DESSUS D'UNE CUISINIÈRE DE 91 CM (36 PO) DE HAUTEUR								
244 CM (8 PI)	AVEC CONDUITS	96,2 cm (37-7/8 po)	98,7 cm (38-7/8 po)	101,3 cm (39-7/8 po)	103,8 cm (40-7/8 po)	106,4 cm (41-7/8 po)	108,9 cm (42-7/8 po)	111,4 cm (43-7/8 po)
	SANS CONDUITS	96,2 cm (37-7/8 po)	98,7 cm (38-7/8 po)	101,3 cm (39-7/8 po)	103,8 cm (40-7/8 po)	106,4 cm (41-7/8 po)	108,9 cm (42-7/8 po)	111,4 cm (43-7/8 po)
274 CM (9 PI)	AVEC OU SANS CONDUITS	---	---	---	103,8 cm (40-7/8 po)	106,4 cm (41-7/8 po)	108,9 cm (42-7/8 po)	111,4 cm (43-7/8 po)
305 CM (10 PI) (voir remarque b.)	AVEC OU SANS CONDUITS	96,2 cm (37-7/8 po)	98,7 cm (38-7/8 po)	101,3 cm (39-7/8 po)	103,8 cm (40-7/8 po)	106,4 cm (41-7/8 po)	108,9 cm (42-7/8 po)	111,4 cm (43-7/8 po)

Remarques :

- a. La distance minimale au-dessus de la surface de cuisson ne doit pas être inférieure à 61 cm (24 po). Un maximum de 76,2 cm (30 po) est également fortement recommandé pour mieux capter les vapeurs de cuisson. Les distances de plus de 76,2 cm (30 po) sont laissées à la discrétion de l'installateur et de l'utilisateur si la hauteur du plafond et la longueur du conduit décoratif le permettent.
- b. Nécessite la rallonge de conduit décoratif de 305 cm (10 pi) modèle AEWC345IQSB (avec conduits) ou AEWC345IQSBN (sans conduits).

INSTALLATION DE LA BRIDE CENTRALE

1. Installez la bride centrale avec (4) vis M4x8. FIG. 7.

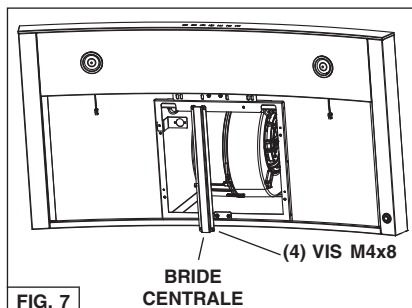
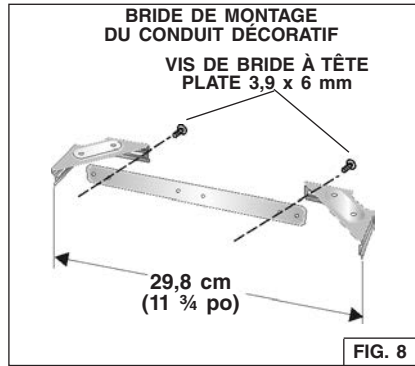


FIG. 7

INSTALLATION DE LA BRIDE DE MONTAGE DU CONDUIT DÉCORATIF

HOTTES AVEC OU SANS CONDUITS

1. Assemblez la bride de montage du conduit décoratif en réglant sa largeur, tel qu'illustré. Fig. 8.
2. Centrez **soigneusement** la bride de montage directement au-dessus de l'emplacement de la hotte.
3. Fixez la bride au plafond à l'aide de (2) vis de montage de 4,8 x 38 mm et des chevilles d'ancrage pour cloisons sèches. Fig. 9. Assurez-vous que la bride est bien appuyée dans l'angle du mur et contre le mur, et bien centrée au-dessus de la hotte.

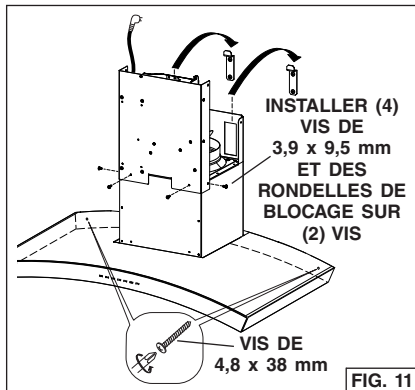
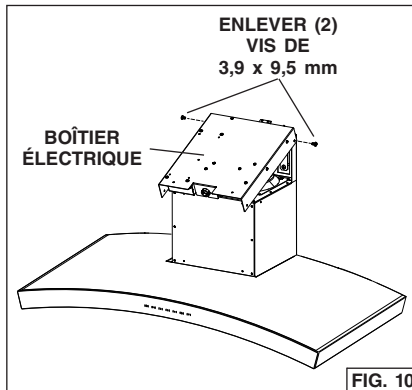
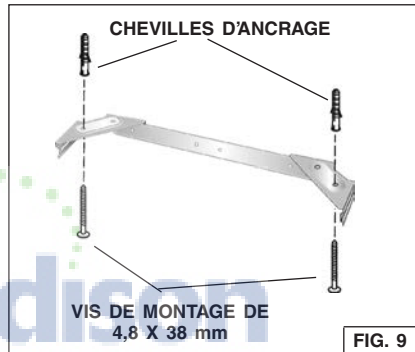


INSTALLATION DE LA HOTTE

Remarque : Retirez soigneusement la pellicule protectrice en plastique sur toutes les surfaces extérieures de la hotte et du conduit décoratif avant l'installation finale. Enlevez les filtres. (Consultez la section « Installation des filtres ».)

INSTALLATION AVEC ou SANS CONDUITS

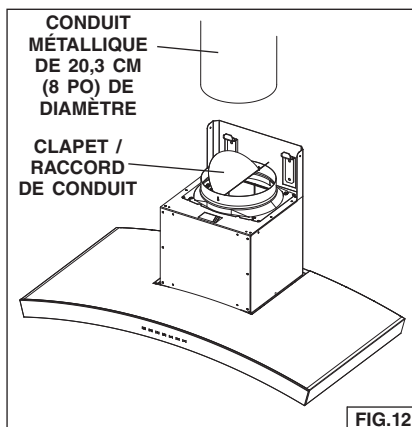
1. Enlevez le boîtier électrique du cadre de la cheminée en retirant (2) vis de 3,9 x 9,5 mm. Fig. 10.
2. Fixez le boîtier électrique au cadre à l'aide des (2) vis de 3,9 x 9,5 mm enlevées à l'étape 1 et de (2) vis 3,9 x 9,5 mm et (2) rondelles de blocage du sachet de quincaillerie.
3. Installez la hotte sur les brides de montage au mur. Fig. 11. Réglez les vis de nivellement des brides de montage afin de mettre la hotte de niveau.
4. Marquez et installez (2) vis supplémentaires, tel qu'illustré. Utilisez les chevilles d'ancrage pour cloisons sèches s'il y a lieu.



INSTALLATION AVEC CONDUITS UNIQUEMENT

Remarque : Les pièces ayant un plafond de 305 cm (10 pi) nécessitent la rallonge de conduit décoratif modèle AEWC345IQSB, offerte chez votre marchand local. Jetez le conduit décoratif supérieur fourni avec votre hotte et remplacez-le par la rallonge de conduit décoratif.

1. Enlevez la pellicule protectrice de la sortie du ventilateur avant d'installer le clapet sur la hotte avec les (4) vis fournies et scellez les joints avec du ruban en aluminium pour conduits. Fig. 12.

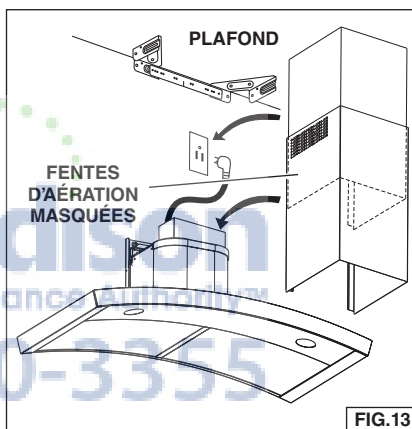


2. Acheminez le conduit métallique rond de 20,3 cm (8 po) jusqu'à l'extérieur.

3. Installez le capuchon de toit ou mural approprié, muni d'un clapet, pour évacuer l'air à l'extérieur.

4. Scellez tous les joints avec du ruban d'aluminium pour conduits.

5. Branchez le cordon électrique dans la prise de courant. Fig. 13.

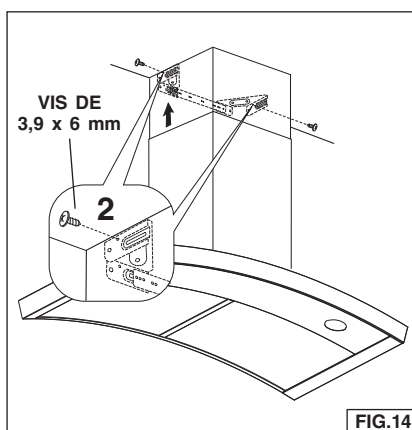


6. Installez le conduit décoratif supérieur et inférieur sur la hotte.

- Les fentes d'aération sont masquées pour les plafonds de 244 cm (8 pi).

- Les fentes d'aération sont exposées pour les plafonds de 274 cm (9 pi).

7. Fixez le conduit supérieur à la bride de montage avec (2) vis de 3,9 x 6 mm. Fig. 14.



INSTALLATION SANS CONDUITS SEULEMENT

Remarque :

- a. Veuillez vous procurer l'ensemble de recirculation sans conduits, modèle ANKWC345.
- b. Les pièces ayant un plafond de 305 cm (10 pi) nécessitent la rallonge de conduit décoratif modèle AEWC3451QSBN, offerte chez votre marchand local. Jetez le conduit décoratif supérieur fourni avec votre hotte et remplacez-le par la rallonge de conduit décoratif.

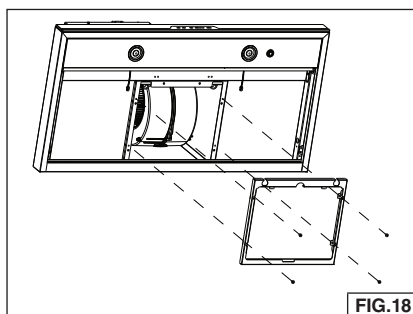
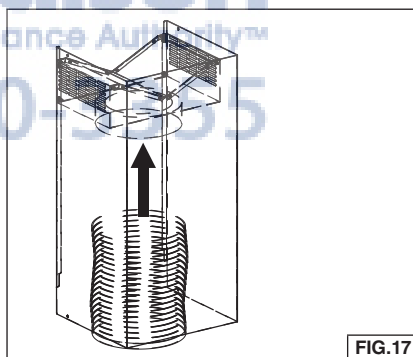
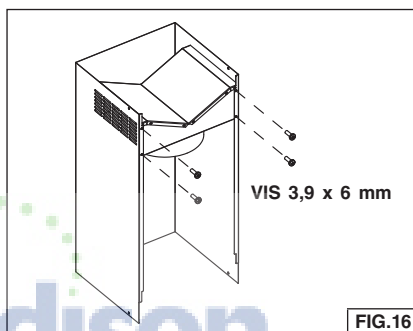
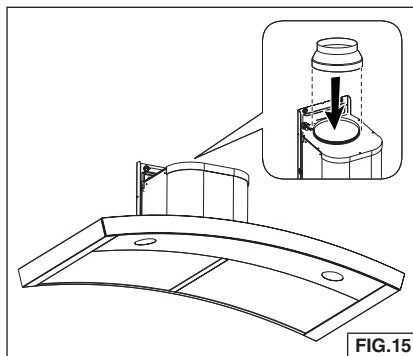
1. Jetez le collier/clapet de sortie fourni avec la hotte. Fig. 15.

2. Fixez l'adaptateur de 15,2 à 20,3 cm (de 6 à 8 po) sur la sortie du ventilateur et scellez les joints avec du ruban en aluminium pour conduits. Fig. 15.

3. Installez le caisson sur le conduit décoratif supérieur à l'aide des (4) vis de 3,4 x 15 mm fournies, tel qu'illustré. Fig. 16.

4. Fixez le conduit extensible de 15,2 cm (6 po) sur le caisson et scellez les joints avec du ruban en aluminium pour conduits. Fig. 17.

5. Installez le filtre non canalisé sur le cadre à l'aide de (4) vis de 3,9 x 6 mm. Fig. 18.



6. Fixez temporairement les conduits supérieur et inférieur ensemble avec du ruban à conduit, tel qu'illustré. Fig. 19.
7. Soulevez le conduit décoratif en place. Fixez le conduit supérieur à la bride de montage avec (2) vis de 3,9 x 6 mm. Fig. 20.
8. Allongez le conduit extensible, fixez l'adaptateur de 15,2 à 20,3 cm (de 6 à 8 po) et scellez les joints avec du ruban à conduit. Fig. 21.
9. Branchez le cordon électrique dans la prise de courant.
10. Enlevez le ruban des conduits décoratifs et abaissez-le en place sur le hotte. Fig. 22.

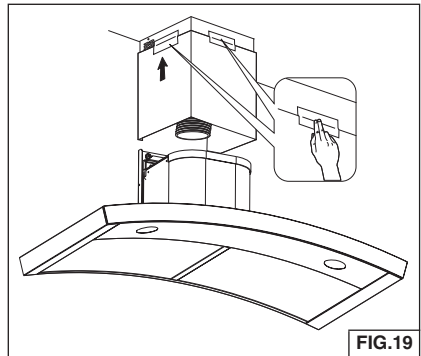


FIG.19

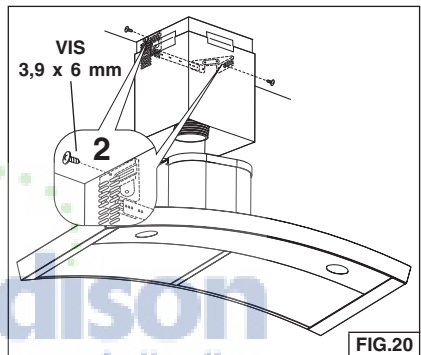


FIG.20

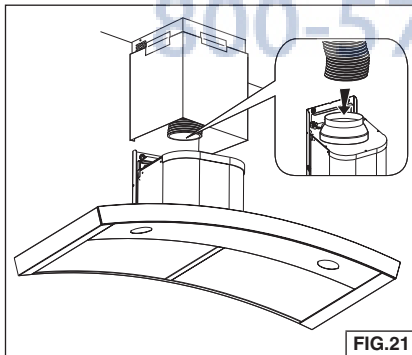


FIG.21

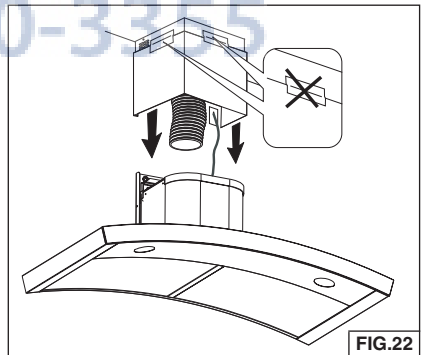


FIG.22



 Your Appliance Authority™

800-570-3355

INSTALLATION DES FILTRES

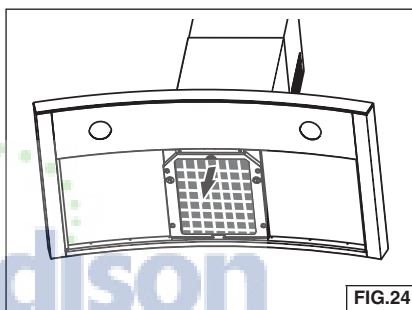
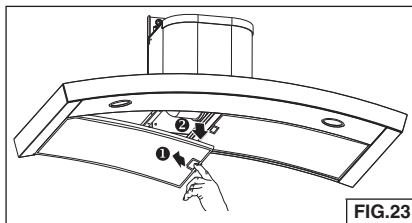
HOTTES AVEC OU SANS CONDUITS

1. Enlevez le filtre à GRAISSES en tirant la languette du loquet vers le bas pour dégager le filtre de la hotte. Inclinez le filtre vers le bas et enlevez-le. Fig. 23.
2. Pour installer le filtre à GRAISSES, alignez les ergots arrière du filtre dans les fentes de la hotte. Tirez la languette du loquet vers le bas, poussez le filtre en place et relâchez la languette. Vérifiez si le filtre est bien fixé une fois remplacé. Fig. 24.

REMARQUE : Avant l'utilisation, enlevez la pellicule protectrice sur le cadre du filtre.

HOTTES SANS CONDUITS SEULEMENT

1. Pour enlever le filtre au CHARBON, agrippez la languette du filtre et poussez-la vers l'arrière de la hotte. Tirez le filtre vers le bas pour dégager les pattes arrière du filtre. Fig. 23.
2. Pour installer le filtre au CHARBON, alignez-le dans l'ouverture rectangulaire. Poussez le filtre contre les ressorts à l'arrière de la hotte et pressez-le en place. Vérifiez si le filtre est bien fixé une fois remplacé.
3. Installez le filtre à GRAISSES une fois le filtre au charbon posé.



CALIBRAGE DU VENTILATEUR IQ^{MC}

VENTILATEUR INTERNE AVEC CONDUITS SEULEMENT

Une fois la hotte installée et connectée, enclenchez le processus de calibration (notre Technologie de performance garantie s'assure que le débit d'air optimal sera émis). Avant le calibrage, assurez-vous que les filtres, les ampoules d'éclairage et les conduits sont installés.

CALIBRAGE Fig. 25.

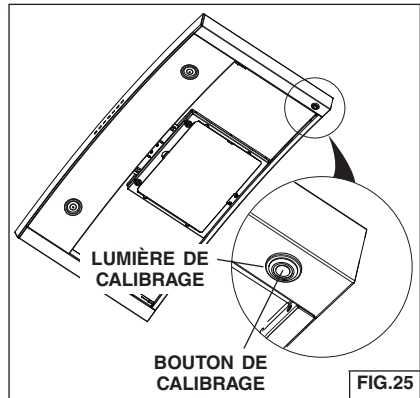
Maintenez le bouton de calibration pendant 3 secondes; le bouton s'allumera durant jusqu'à 13 minutes. Le ventilateur se met en marche et le calibrage commence. Une fois le calibrage terminé, il y a deux possibilités :

- A. Le ventilateur s'arrête et la lumière du bouton de calibration s'éteint = Calibrage réussi.
- B. Le ventilateur s'arrête et la lumière du bouton de calibration clignote continuellement = Trop de restriction dans le conduit empêchant le ventilateur IQ^{MC} d'atteindre le débit d'air nominal. Le ventilateur se règle automatiquement à l'intensité maximale.

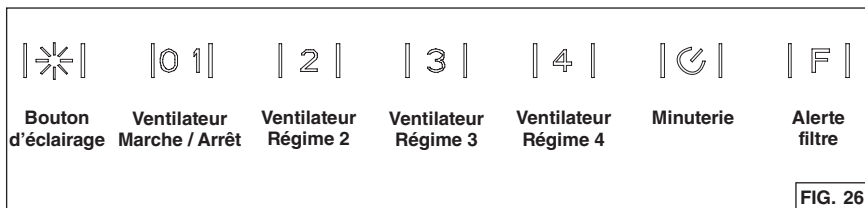
REMARQUE : Les causes les plus courantes de restriction sont : un clapet coincé (clapet antirefoulement, capuchon mural, capuchon de toit), un trop grand nombre de coudes, un conduit dont la dimension est 80 % inférieure à la sortie de la hotte, une mauvaise transition, l'utilisation de conduit flexible et/ou un conduit écrasé.

Deux options sont offertes :

1. Appuyer sur le bouton de calibration pour accepter le débit d'air tel quel. Le ventilateur IQ^{MC} est maintenant configuré à son niveau le plus élevé possible. Le témoin de calibration clignotant s'éteint.
2. Corriger la restriction dans le conduit, puis recommencer le calibrage.
 - a. Pour effacer les données de calibration, maintenez le bouton de calibration enfoncé pendant 10 secondes. Le témoin clignotera 3 fois pour confirmer et le ventilateur retournera aux paramètres par défaut.
 - b. Recommencez le calibrage.



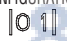


MODE DE PROGRAMMATION DU VENTILATEUR EXTÉRIEUR (WC35E)



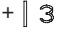



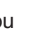






Cette hotte est conçue pour être utilisée avec plusieurs modèles de ventilateurs. Avant leur utilisation, la commande doit être programmée en fonction du modèle du ventilateur pour obtenir les régimes de fonctionnement souhaités.

Dans le tableau ci-dessous :

1. Trouvez le numéro de CONFIGURATION qui correspond au modèle de ventilateur installé avec votre hotte.
2. La commande est réglée par défaut à l'usine à la CONFIGURATION 3. Si votre ventilateur est indiqué sous la CONFIGURATION 3, aucune programmation n'est nécessaire et la hotte est prête à utiliser.

	CONFIGURATION 	CONFIGURATION 	CONFIGURATION  (par défaut)
VENTILATEUR	EB6	EB12	EB9
MODÈLE	ILB3	EB15	ILB11
NUMÉRO	ILB6	ILB9	

3. Pour programmer les modèles de ventilateurs indiqués sous CONFIGURATION 1 et 2 :
 - A) Assurez-vous que la hotte est sous tension. Le ventilateur et l'éclairage doivent être éteints.
 - B) Maintenez appuyé le bouton  pendant 5 secondes. Les boutons  +  +  clignoteront 3 fois. Après 1 seconde, l'un des boutons ,  ou  s'allumera pour indiquer la configuration actuelle.
 - C) Sélectionnez la CONFIGURATION adéquate pour votre ventilateur en fonction du tableau de gauche. Appuyez sur ,  ou  pour sélectionner la CONFIGURATION adéquate. Appuyez ensuite sur  pour confirmer et enregistrer la nouvelle configuration.
 - D) La hotte est maintenant prête à utiliser.

PIÈCES DE RECHANGE

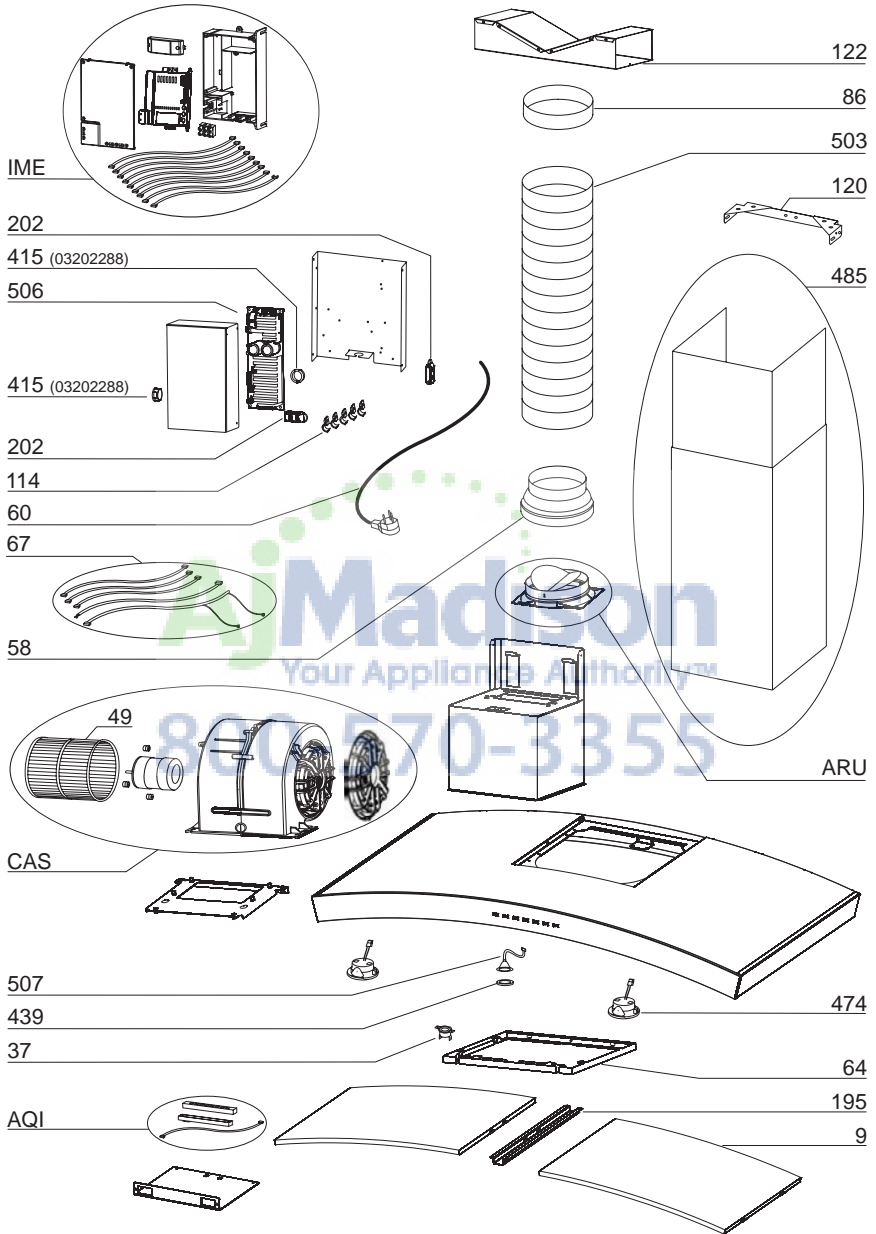
SÉRIE WC35IQ

REPÈRE	DESCRIPTION	N° DE PIÈCE
CAS	ENSEMBLE DE VENTILATEUR	06002259
49	VENTILATEUR (ROTATION À DROITE)	03295071
IME	ENSEMBLE D'INSTALLATION ÉLECTRIQUE	06145222
114	GUIDE-FILS	032904990
506	CIRCUIT DE MOTEUR SANS BALAIS	97019431
67	FILS	06102592
202	ARRÊT DE RÉFLECTEUR	03292290
415	GUIDE-CÂBLE	03202288
60	CORDON D'ALIMENTATION	02300249
415	GUIDE-CÂBLE	03202288
37	BOUTON	02300804
474	AMPOULE DEL	08093413
AQI	ENSEMBLE DE BOÎTIER D'INTERRUPTEUR	06102590
439	ANNEAU D'ARRÊT	02320034
507	BOUTON DE CALIBRAGE	06102584
195	BRIDE	E3351078
9	FILTRE À GRAISSES	08087823
ARU	ENSEMBLE DE RACCORD DE SORTIE D'AIR	080810849
485	ENSEMBLE DE CONDUIT TÉLESCOPIQUE	08016368
120	BRIDE DE MONTAGE DU CONDUIT DÉCORATIF	08091851
195	BRIDE CENTRALE	E3351078
122	CAISSON NON CANALISÉ	08093478
86	ANNEAU D'ADAPTATEUR DE 15,2 CM (6 PO)	032292300
503	CONDUIT EXTENSIBLE DE 15,2 CM (6 PO)	02011557
58	RÉDUCTEUR 20,3 CM (8 PO) À 15,2 CM (6 PO)	03294170

800-570-3355

PIÈCES DE RECHANGE

SÉRIE WC35IQ



PIÈCES DE RECHANGE

SÉRIE WC35E

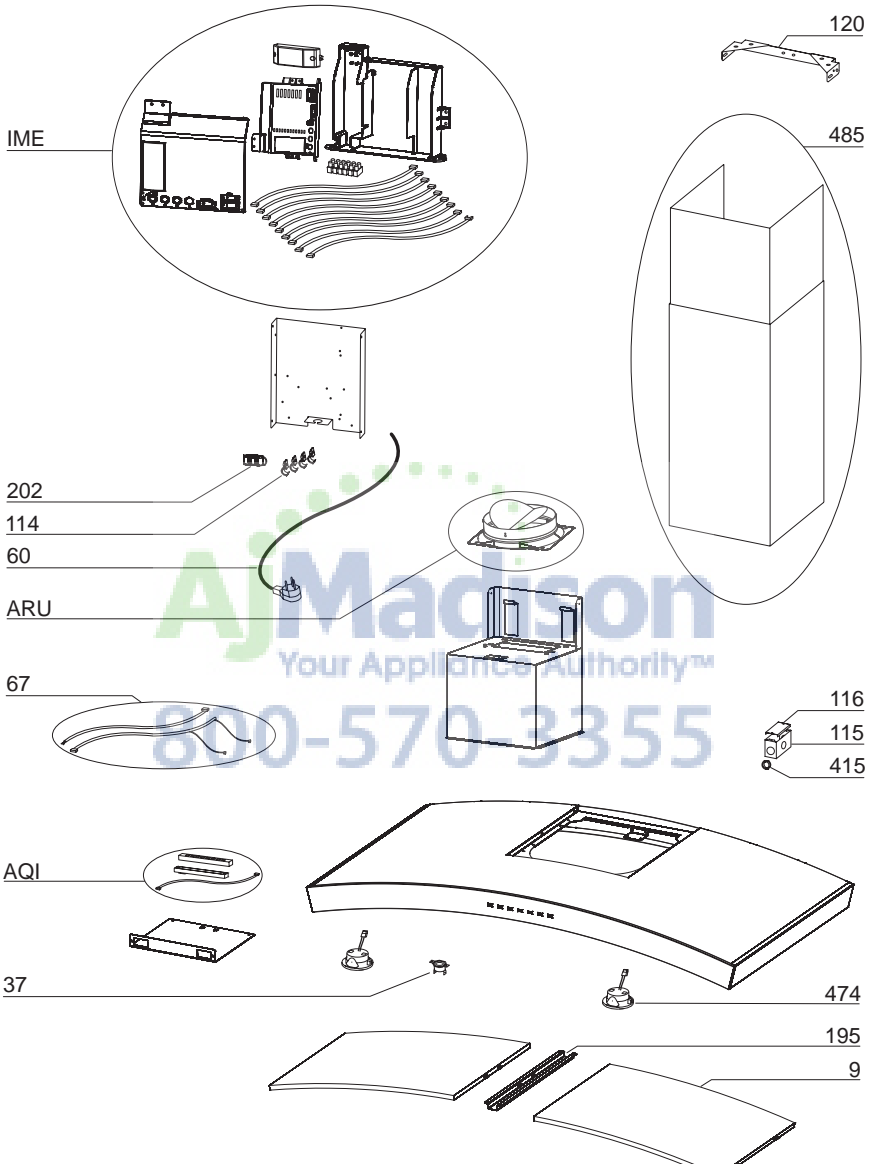
REPÈRE	DESCRIPTION	N° DE PIÈCE
IME	ENSEMBLE D'INSTALLATION ÉLECTRIQUE	06145223
166	PLAQUETTE DE CIRCUIT IMPRIMÉ	08080877
145	BOÎTIER DE CONNEXION DU CÂBLE D'ALIMENTATION	032920170
147	PINCE DE JONCTION	R2300132
146	COUVERCLE DU BOÎTIER DE CONNEXION DU CÂBLE D'ALIMENTATION	032920180
151	SERRE-CÂBLE DU BOÎTIER DE CONNEXION ÉLECTRIQUE	032920200
114	GUIDE-FILS	032904990
67	FILS	06102593
60	CORDON D'ALIMENTATION	02300249
37	BOUTON	02300804
474	AMPOULE DEL	08093413
AQI	ENSEMBLE DE BOÎTIER D'INTERRUPTEUR	06102591
195	BRIDE	E3351078
9	FILTRE À GRAISSES	08087823
ARU	ENSEMBLE DE RACCORD DE SORTIE D'AIR	080810849
485	ENSEMBLE DE CONDUIT TÉLESCOPIQUE	08016368
120	BRIDE DE MONTAGE DU CONDUIT DÉCORATIF	08091851
195	BRIDE CENTRALE	E3351078

AjMadison
Your Appliance Authority™

800-570-3355

PIÈCES DE RECHANGE

SÉRIE WC35E



GARANTIE

GARANTIE LIMITÉE D'UN AN DES PRODUITS BEST

Broan-NuTone LLC (Broan-NuTone) garantit à l'acheteur original que les produits Best sont libres de tout vice de matériau ou de fabrication pour une période d'un an à compter de la date d'achat originale. CETTE GARANTIE NE COMPORTE AUCUNE AUTRE GARANTIE, EXPRESSE OU TACITE, Y COMPRIS, MAIS SANS S'Y LIMITER, LES GARANTIES TACITES DE VALEUR MARCHANDE OU D'ADAPTATION À UN USAGE PARTICULIER.

Durant cette période d'un an, Broan-NuTone réparera ou remplacera gratuitement, à sa discrétion, tout produit ou toute pièce jugés défectueux dans des conditions normales d'utilisation.

CETTE GARANTIE NE S'APPLIQUE PAS AUX TUBES FLUORESCENTS ET AUX DÉMARREURS, NI AUX AMPOULES HALOGÈNES OU INCANDESCENTES, FUSIBLES, FILTRES, CONDUITS, CAPUCHONS DE TOIT, CAPUCHONS MURAUX ET AUTRES ACCESSOIRES POUR CONDUITS. Cette garantie ne couvre pas (a) les frais d'entretien ou de service normaux ni (b) tout produit ou toute pièce soumis à un abus, une négligence, un accident, un entretien ou une réparation inadéquats (autres que ceux effectués par Broan-NuTone), une mauvaise installation ou une installation contraire aux instructions recommandées.

La durée de toute garantie tacite est limitée à la période d'un an stipulée pour la garantie expresse. Certains territoires ou provinces interdisant de limiter la durée d'une garantie tacite, la limitation ci-dessus peut ne pas s'appliquer à votre situation. L'OBLIGATION POUR BROAN-NUTONE DE RÉPARER OU DE REMPLACER LE PRODUIT, À SA DISCRÉTION, CONSTITUE LE SEUL RECOURS DE L'ACHETEUR EN VERTU DE LA PRÉSENTE GARANTIE. BROAN-NUTONE NE PEUT ÊTRE TENUE RESPONSABLE DES DOMMAGES INDIRECTS OU CONSÉCUTIFS NI DES DOMMAGES-INTÉRÊTS PARTICULIERS DÉCOULANT DE L'UTILISATION OU DU RENDEMENT DU PRODUIT. Certains territoires ou provinces ne permettant pas la limitation ou l'exclusion des dommages indirects ou consécutifs, la limitation ci-dessus peut ne pas s'appliquer à votre situation.

La présente garantie vous confère des droits spécifiques reconnus par la loi. D'autres droits pourraient également vous être accordés selon la législation locale en vigueur. La présente garantie remplace toutes les autres garanties précédentes. Pour vous prévaloir de cette garantie, vous devez (a) aviser Broan-NuTone à l'adresse ou au numéro de téléphone indiqués ci-dessous, (b) donner le numéro de modèle du produit et le numéro d'identification de la pièce et (c) décrire la nature de la défectuosité du produit ou de la pièce. Lors de votre demande de garantie, vous devez présenter une preuve de la date d'achat originale.

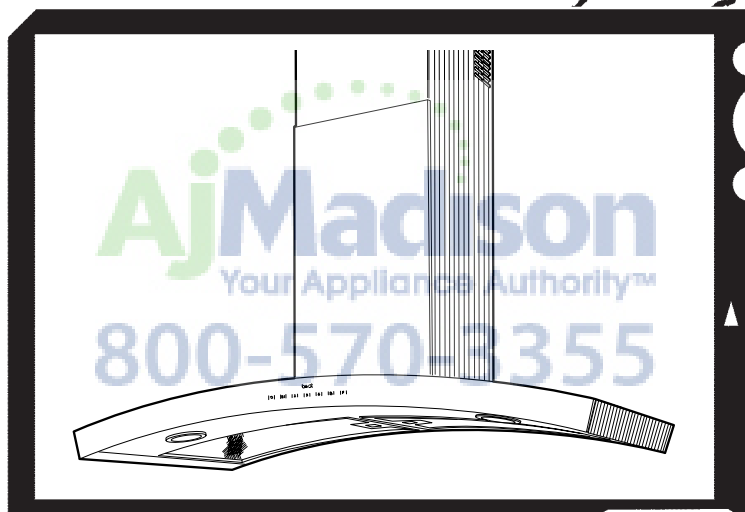
Aux États-Unis - Best®, 926 W. State Street, Hartford, Wisconsin 53027 (800-558-1711)

Au Canada - Best®, 550, boulevard Lemire, Drummondville, QC J2C 7W9 (866-737-7770)

www.BestRangeHoods.com

AjMadison
Your Appliance Authority™
800-570-3355

best®



Serie WC35

ENGLISH.....	2
FRANÇAIS.....	24
ESPAÑOL.....	47

En EE.UU. - BEST Hartford, Wisconsin
En CANADÁ - BEST Drummondville, QC, Canadá

REGISTRE SU PRODUCTO EN LÍNEA EN: www.BestRangeHoods.com/register
Si desea información adicional, visite www.BestRangeHoods.com

LEA Y CONSERVE ESTAS INSTRUCCIONES

 **INDICADO SOLAMENTE PARA COCINAR EN CASA** 

ADVERTENCIA

PARA REDUCIR EL RIESGO DE INCENDIOS, DESCARGAS ELÉCTRICAS O LESIONES PERSONALES, SIGA LAS SIGUIENTES PRECAUCIONES:

1. Use la unidad solo de la manera indicada por el fabricante. Si tiene preguntas, comuníquese con el fabricante a la dirección o al número telefónico que se incluye en la garantía.
2. Antes de dar servicio o limpiar la unidad, interrumpa el suministro eléctrico en el panel de servicio y bloquee el panel de servicio para evitar que se active accidentalmente la electricidad. Cuando no sea posible bloquear los medios de desconexión del servicio, fije firmemente una señal de advertencia (como una etiqueta) en un lugar visible del panel de servicio.
3. El trabajo de instalación y el cableado eléctrico deben estar a cargo de personal capacitado, de acuerdo con todos los códigos y normas correspondientes, incluidos los códigos y normas de construcción específicos sobre protección contra incendios.
4. Es necesario suficiente aire para que se lleve a cabo una combustión y una extracción adecuadas de los gases a través del tubo de humos (chimenea) del equipo quemador de combustible, con el fin de evitar el contratiro. Siga las directrices y las normas de seguridad del fabricante del equipo de calefacción, como las publicadas por la Asociación Nacional de Protección contra Incendios (National Fire Protection Association, NFPA), y la Sociedad Americana de Ingenieros en Calefacción, Refrigeración y Aire Acondicionado (American Society for Heating, Refrigeration and Air Conditioning Engineers, ASHRAE), y las autoridades de los códigos locales.
5. Al cortar o perforar a través de la pared o del cielo raso, tenga cuidado de no dañar el cableado eléctrico ni otros servicios ocultos.
6. Los ventiladores con conductos siempre deben ventearse hacia el exterior.
7. No use esta unidad junto con ningún dispositivo separado de estado sólido para el control de la velocidad.
8. Para reducir el riesgo de incendio, use solamente conductos metálicos.

INSTRUCCIONES PARA LA PUESTA A TIERRA

Este aparato debe estar conectado a tierra. En caso de un corto circuito eléctrico, la puesta a tierra reduce el riesgo de una descarga eléctrica al suministrar un cable de escape para la corriente eléctrica. Este aparato está equipado con un cordón que tiene un cable con una clavija a tierra. La clavija debe conectarse a un tomacorriente que esté instalado y conectado a tierra adecuadamente.

ADVERTENCIA: Una instalación inadecuada a tierra puede tener el riesgo de una descarga eléctrica.

Consulte a un electricista calificado si no se entienden totalmente las instrucciones de puesta a tierra, o si tiene alguna duda en cuanto a la conexión a tierra apropiada del aparato.

No utilice una extensión eléctrica. Si el cable de la fuente de alimentación es demasiado corto, solicite a un electricista calificado que instale una toma eléctrica cerca del aparato.

ADVERTENCIA

PARA REDUCIR EL RIESGO DE INCENDIO PROVOCADO POR GRASA PRESENTE EN LA ESTUFA:

- A. Nunca deje desatendidas las unidades de la superficie cuando estén en ajustes altos de calor. Los alimentos en ebullición provocan derrames grasosos y con humo que se pueden incendiar. Caliente el aceite lentamente en ajustes de calor bajo o medio.
- B. Siempre ENCIENDA la campana cuando esté cocinando a altas temperaturas o flamee alimentos (por ejemplo crepas Suzette, cerezas Jubilee, bistec con pimienta flameado).
- C. Limpie frecuentemente los ventiladores. No permita la acumulación de grasa en el ventilador ni en el filtro.
- D. Use una cacerola del tamaño adecuado. Siempre use utensilios de cocina que sean apropiados para el tamaño del elemento de la superficie.

PARA REDUCIR EL RIESGO DE LESIONES A LAS PERSONAS EN CASO DE UN INCENDIO PRODUCIDO POR GRASA EN UNA ESTUFA, OBSERVE LO SIGUIENTE*:

1. APAGUE LAS LLAMAS con una tapa de ajuste exacto, una charola para galletas o una bandeja de metal, y después apague el quemador. PROCEDA CON CUIDADO PARA EVITAR QUEMADURAS. Si las llamas no se apagan inmediatamente, EVACUE EL ÁREA Y LLAME A LOS BOMBEROS.
2. NUNCA LEVANTE UNA CACEROLA INCENDIADA porque podría ocasionarse quemaduras.
3. NO TRATE DE APAGAR EL FUEGO CON AGUA ni con trapos o toallas de cocina mojados, pues ocasionará una explosión violenta de vapor.
4. Use un extintor SOLO si:
 - A. El extintor es de Clase ABC y usted sabe cómo hacerlo funcionar.
 - B. El incendio es pequeño y está confinado al área en la que se inició.
 - C. Se está llamando al Departamento de Bomberos.
 - D. Puede combatir el incendio teniendo la espalda orientada hacia una salida.

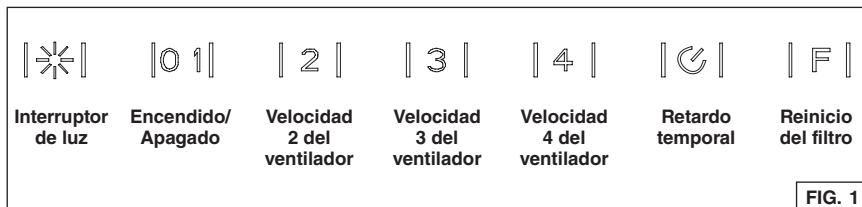
* Basado en "Kitchen Fire Safety Tips" (Sugerencias para la seguridad contra incendios en la cocina) publicado por NFPA.

PRECAUCIÓN

1. Solo debe usarse bajo techo.
2. Para reducir el riesgo de incendio y para descargar adecuadamente el aire, asegúrese de dirigir el aire hacia el exterior. No descargue el aire en espacios contenidos entre paredes o cielos rasos, ni en áticos, sótanos bajos ni en la cochera.
3. Tenga cuidado cuando use agentes de limpieza o detergentes.
4. Evite usar bajo la campana de la estufa productos alimenticios que produzcan llamas.
5. Solo para usarse como medio de ventilación general. No debe usarse para la extracción de materiales o vapores peligrosos o explosivos.
6. Para evitar daños a los cojinetes del motor y rotores ruidosos o desbalanceados, mantenga la unidad de potencia protegida contra rociados de yeso, polvos de construcción, etc.
7. Este motor de campana tiene una protección contra sobrecargas térmicas que automáticamente apagará el motor en caso de sobrecalentamiento. El motor reanudará su funcionamiento cuando se enfríe. Si el motor continúa apagándose y encendiéndose, solicite servicio para la campana.
8. Para capturar mejor las impurezas producidas al cocinar, la parte inferior de la campana debe estar a una altura mínima de 24 pulg. (61 cm) y máxima de 30 pulg. (76.2 cm) sobre la superficie de cocinado. Consulte el apartado "Instalación del soporte de montaje" para ver las restricciones de montaje.
9. Se recomienda que dos personas hagan la instalación debido al gran tamaño y peso de esta campana.
10. Este producto está equipado con un termostato que podría iniciar automáticamente el funcionamiento del ventilador. Para reducir el riesgo de lesiones personales y para evitar que la electricidad sea reanudada accidentalmente, interrumpa el suministro eléctrico en el panel de servicio y bloquee o rote este panel.
11. Lea la etiqueta de especificaciones del producto para ver información y requisitos adicionales.
12. SÓLO PARA MODELOS DEL VENTILADOR EXTERNO: Para reducir el riesgo de incendio y descarga eléctrica, instale esta campana solamente con los modelos de ventilador para exterior Best EB6, EB9, EB12 o EB15 o los modelos de ventilador en línea Best ILB3, ILB6, ILB9 o ILB11. No se pueden utilizar otros ventiladores. Los ventiladores se venden por separado.

FUNCIONAMIENTO

Controles (Fig. 1)



Esta campana está equipada con lo más reciente en tecnología táctil capacitiva. Los botones no se mueven, sino que son sensibles al tacto. Cuando se capta un contacto, el control emitirá un sonido.

El botón de la luz enciende y apaga las luces LED. Presione una vez para encender las luces. Presione otra vez para apagar las luces.

El botón **Blower On/Off** enciende el ventilador en baja velocidad. Presione una segunda vez para apagarlo.

El botón **Blower Speed 2** aumenta la velocidad del ventilador a media-baja.

El botón **Blower Speed 3** aumenta la velocidad del ventilador a media-alta.

El botón **Blower Speed 4** aumenta la velocidad del ventilador a alta.

El botón **Delay** activa una función de apagado de retardo. Presione una vez para activar el retardo de 5 minutos para cualquiera de los ajustes de velocidad del ventilador. Presione nuevamente para desactivar el retardo.

Filter Reset se ilumina cada 30 horas de funcionamiento, lo cual indica la necesidad de limpiar los filtros. Después de limpiar o cambiar los filtros, presione una vez para reiniciar el contador de tiempo de 30 horas.

Modo Clean desactiva los controles para la limpieza de vidrio. Pulse y mantenga pulsado durante 5 segundos. Repita para reactivar los controles.

Función de apagado automático

Si el ventilador y/o las luces están encendidas continuamente 10 horas sin que el usuario interactúe con los controles, la campana se apagará automáticamente. Presione cualquier botón de control para reactivar la campana.

Termostato HEAT SENTRY™

La campana está equipada con un termostato HEAT SENTRY™. Este termostato es un dispositivo que encenderá el ventilador o aumentará su velocidad si detecta un calor excesivo sobre la superficie de cocinado.

1) Si el ventilador está APAGADO: ENCIENDE el ventilador a ALTA velocidad.

2) Si el ventilador está ENCENDIDO a una velocidad menor: pone el ventilador a ALTA velocidad. Cuando la temperatura disminuye a valores normales, el ventilador regresa a su posición original.

ADVERTENCIA

El termostato HEAT SENTRY puede activar el ventilador aunque la campana esté APAGADA. Cuando esto ocurre, es imposible APAGAR el ventilador con el interruptor. Si debe apagar el ventilador, hágalo desde el panel eléctrico principal.

LÁMPARAS LED

La campana cuenta con lámparas LED que no requieren mantenimiento.

LIMPIEZA Y MANTENIMIENTO

El mantenimiento correcto de la campana de la estufa asegurará el funcionamiento adecuado de la unidad.

Motor

El motor está permanentemente lubricado y nunca necesitará ponerle aceite. Si los cojinetes del motor están haciendo ruido excesivo o inusual, reemplace el motor con el motor de servicio exacto. También debe reemplazar el impulsor.

Filtro de grasa

El filtro de grasa se debe limpiar con frecuencia, con una solución tibia de detergente y agua. El filtro de grasa se puede lavar en el lavaplatos.

Limpie los filtros completamente metálicos en el lavaplatos con un detergente sin fosfatos. El filtro se puede decolorar si se utilizan detergentes con fosfatos o como resultado de la condición del agua local, pero esto no afectará el desempeño del filtro. Esta decoloración no está cubierta por la garantía.

Consulte la sección "INSTALACIÓN DE LOS FILTROS" para ver las instrucciones de instalación y desmontaje.

Filtro de recirculación para sistemas sin conductos

El filtro de recirculación para sistemas sin conductos se debe cambiar cada 6 meses. Cámbielo con más frecuencia si su estilo de cocinar genera más grasa, como al freír y al cocinar en una sartén china de cuenco redondo. Consulte la sección "INSTALACIÓN DE LOS FILTROS" para ver las instrucciones de instalación y desmontaje.

Limpeza del acero inoxidable

COSAS QUE PUEDE HACER:

- Regularmente, lave con una tela o trapo limpio remojado con agua tibia y jabón o detergente líquido para platos.
- Siempre limpie en la dirección de las líneas originales de pulido.
- Siempre enjuague bien con agua limpia (2 o 3 veces) después de la limpieza. Séquelo por completo.
- También puede usar un limpiador casero especializado para acero inoxidable.

COSAS QUE NO DEBE HACER:

- Usar lana de acero o acero inoxidable ni algún otro tipo de raspador para quitar mugre difícil de sacar.
- Usar limpiadores fuertes ni abrasivos.
- Dejar que se acumule la mugre.
- Dejar que el polvo forme plastas ni que quede en la campana algún otro residuo de la construcción. Durante la construcción o la renovación, cubra la campana para estar seguro de que el polvo no se pegue a la superficie de acero inoxidable.

Evite: Al elegir un detergente

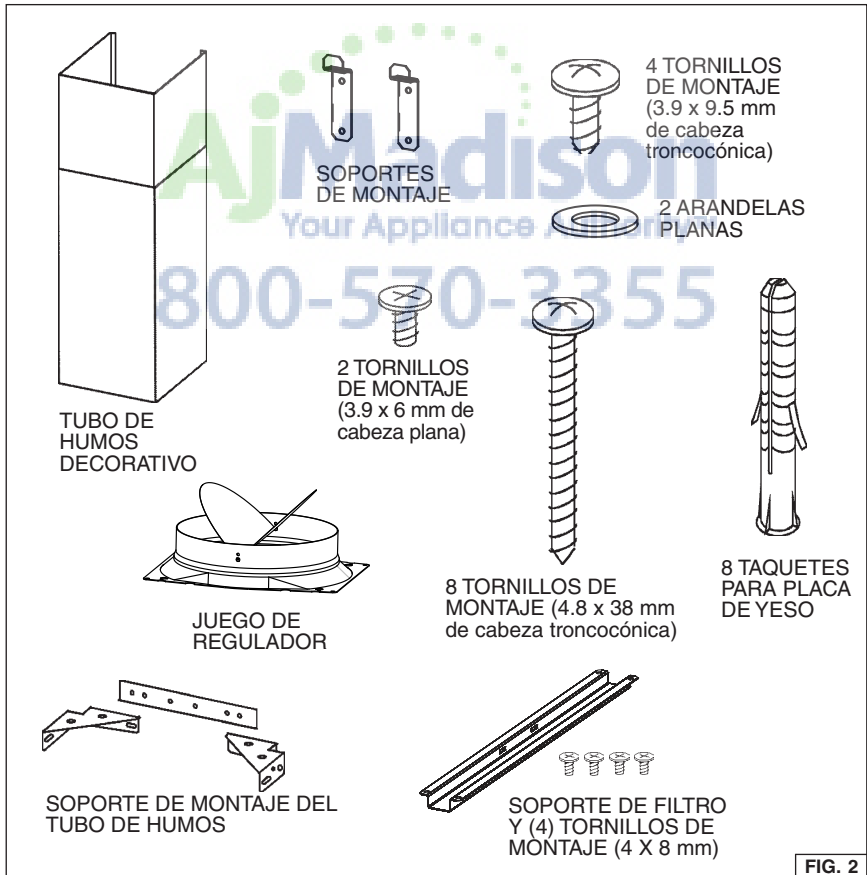
- Todo limpiador que contenga blanqueador, pues atacará al acero inoxidable.
- Todo producto que contenga: cloruro, fluoruro, yoduro, bromuro, pues deteriorará las superficies rápidamente.
- Todo producto combustible utilizado para la limpieza, como acetona, alcohol, éter, benzol, etc., pues son altamente explosivos y nunca se deben usar cerca de una estufa.

PREPARE LA CAMPANA

Desempaque la campana y revise el contenido del paquete.

Debe contener lo siguiente:

- 1 - Campana
- 1 - Conjunto del tubo de humos decorativo
- 1 - Bolsa de piezas con:
 - 2 - Soportes de montaje
 - 1 - Juego de regulador
 - 1 - Conjunto de soporte de montaje del tubo de humos
 - 8 - Tornillos de montaje (4.8 x 38 mm de cabeza troncocónica)
 - 4 - Tornillos de montaje (3.9 x 9.5 mm de cabeza troncocónica)
 - 2 - Tornillos de montaje (3.9 x 6 mm cabeza plana)
 - 8 - Taquetes para placa de yeso
 - 2 - Arandelas planas
 - 1 - Soporte de filtro
 - 4 - Tornillos de montaje (4 x 8 mm)
- 1 - Instrucciones de instalación



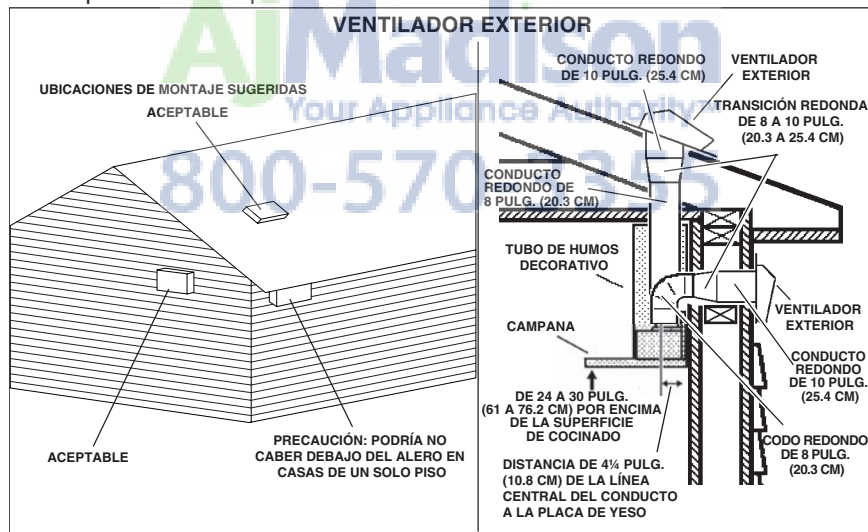
SELECCIÓN DE VENTILADOR EXTERIOR O EN LÍNEA (WC35E)

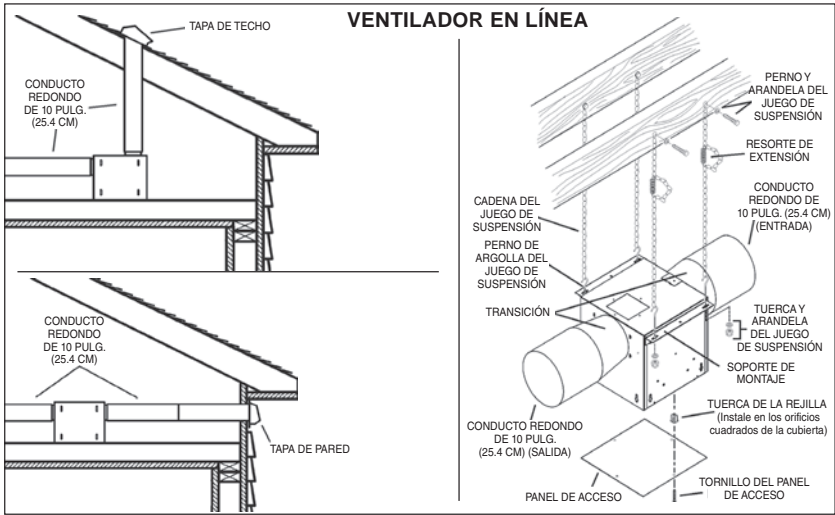
PRECAUCIÓN: Con esta campana puede usar un ventilador exterior o en línea. La campana debe instalarse únicamente con los modelos de ventilador EB6, EB9, EB12, EB15, ILB3, ILB6, ILB9 o ILB11. No se pueden sustituir otros ventiladores (los ventiladores se venden por separado).

INSTALACIÓN DEL SISTEMA DE CONDUCTOS

NOTA: Para reducir el riesgo de incendio, use solamente conductos metálicos.

1. Elija la ubicación para el montaje del ventilador exterior o en línea.
En las ilustraciones de abajo se muestran sugerencias y restricciones para la ubicación del montaje.
2. Un conducto recto y corto permitirá que la campana funcione más eficientemente.
3. Los tramos largos de conductos, codos y transiciones reducirán el desempeño de la campana. Use tan pocos de ellos como sea posible. Es posible que se requieran conductos más grandes para un mejor funcionamiento con tramos largos de conductos.
4. Una vez instalado el ventilador exterior o en línea, conecte el conducto metálico redondo y trabaje hacia atrás, hacia la ubicación de la campana. Use cinta para conductos para sellar las uniones entre las secciones de conductos.
5. Se requiere una transición redonda de 8 a 10 pulg. (20.3 a 25.4 cm) (modelo 414). Para lograr el mejor rendimiento del aire, instale la transición tan cerca de la campana como sea posible.







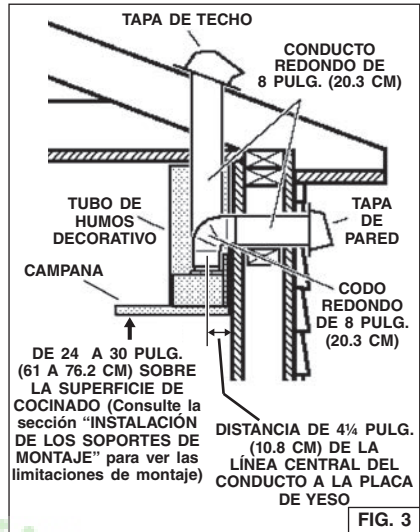
AjMadison
 Your Appliance Authority™
800-570-3355

INSTALACIÓN DEL SISTEMA DE CONDUCTOS

SOLO CAMPANAS CON CONDUCTOS

PRECAUCIÓN: Para reducir el riesgo de incendio, use solamente conductos metálicos.

1. Decida dónde instalará el conducto entre la campana y el exterior. Fig. 3.
2. Un conducto recto y corto permitirá que la campana funcione más eficientemente.
3. Los tramos largos de conductos, codos y transiciones reducirán el rendimiento de la campana. Use tan pocos de ellos como sea posible. Es posible que se requieran conductos más grandes para un mejor funcionamiento con tramos más largos de conductos.
4. Instale una tapa de techo o una tapa de pared. Conecte un conducto metálico redondo en la tapa y trabaje hacia atrás, hacia la ubicación de la campana. Use cinta para conductos para sellar las uniones entre las secciones de conductos.

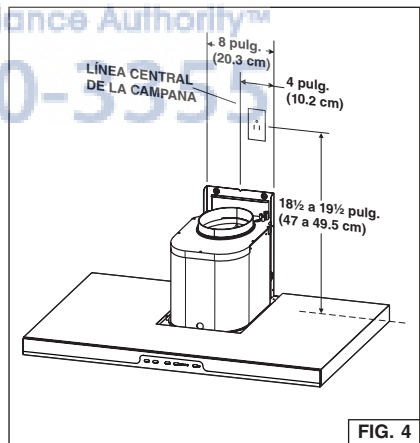


INSTALACIÓN ELÉCTRICA

CAMPANAS CON y SIN CONDUCTOS

⚠️ ADVERTENCIA: Una o más personas calificadas deben realizar el trabajo de cableado eléctrico, de acuerdo con todos los códigos y normas correspondientes. Esta campana debe estar adecuadamente conectada a tierra. Interrumpa la energía eléctrica a la entrada de servicio antes de comenzar el cableado.

1. Planifique la ubicación de la campana sobre la superficie de la estufa. Consulte la sección "INSTALACIÓN DEL SOPORTE DE MONTAJE" para ver las opciones de la altura de montaje de la campana.
2. Instale una caja estándar de tomacorriente de pared de 2 x 4 pulg. (5.1 x 10.2 cm) y un receptáculo de 3 hojas de 125 V y 15 A con conexión a tierra. Fig. 5.
3. Monte el centro del tomacorriente de pared de 18½ a 19½ pulg. (47 a 49.5 cm) por encima de la parte inferior de la campana.
4. Ubique la caja y el receptáculo dentro de los límites mostrados y fuera de la línea central de los conductos (a fin de dejar espacio para el enchufe del cable de alimentación y el tubo de humos).



CONEXIONES ELÉCTRICAS DEL VENTILADOR EXTERNO

Conexión del ventilador en la campana:

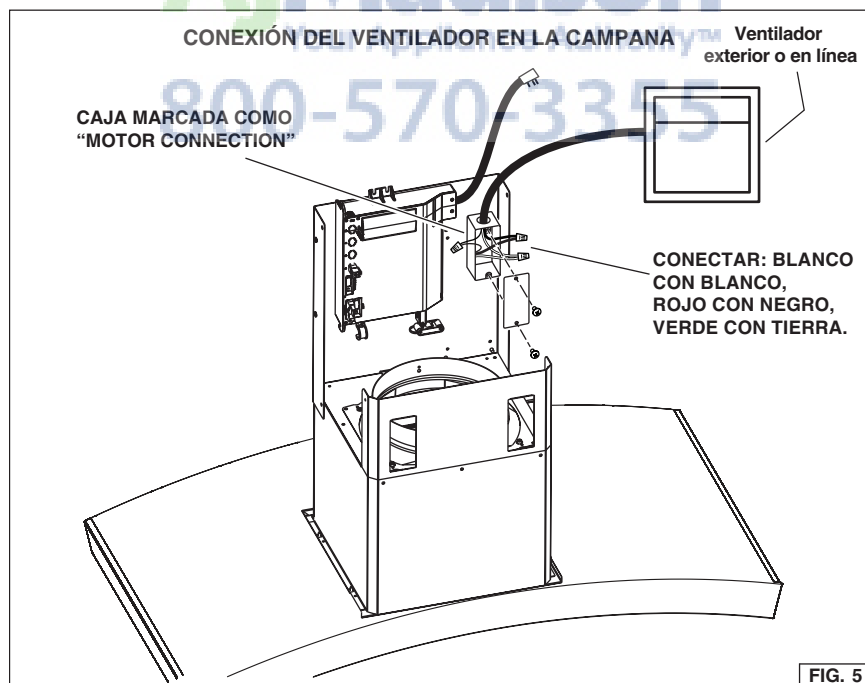
1. Tienda un cable eléctrico de dos hilos y conexión a tierra desde el ventilador exterior o en línea hasta la caja de cableado marcada como “motor connection” (“conexión del motor”).
2. Quite la cubierta de la caja de cableado y retire un agujero ciego.
3. Haga pasar 6 pulg. (15.2 cm) de cable a través de la abertura ciega y asegure el cable a la caja de conexiones con un conector apropiado.
4. Haga las conexiones eléctricas en la campana. Conecte blanco con blanco, **rojo con negro** y verde con tierra.
5. Vuelva a colocar la cubierta de la caja de conexiones y los tornillos. Asegúrese de que los cables no queden atrapados entre la cubierta y la caja.

Conexión del ventilador exterior o en línea:

1. Haga las conexiones eléctricas en el ventilador exterior o en línea (consulte las instrucciones incluidas con el ventilador).

Conexión de energía eléctrica en la campana:

1. Enchufe el cordón eléctrico en el receptáculo eléctrico de la pared.



INSTALACIÓN DE LOS SOPORTES DE MONTAJE

CAMPANAS CON y SIN CONDUCTOS

- Construya un bastidor de **madera** en la pared que quede al ras de la superficie interior de los montantes de pared. Fig. 6. Asegúrese de que:
 - El bastidor esté centrado en el lugar de la instalación.
 - La altura del bastidor permita fijar los **soportes de montaje** en el bastidor dentro de las dimensiones mostradas.
- Después de terminar la superficie de la pared**, asegure los soportes de montaje a la estructura con (4) tornillos de montaje de 4.8 x 38 mm. Vea la ubicación del soporte de montaje en la tabla que aparece abajo.

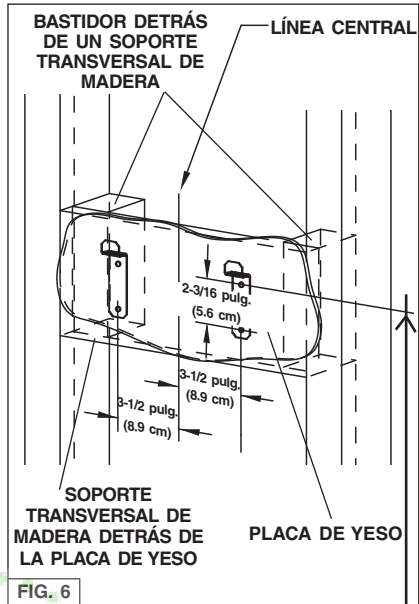


FIG. 6

ALTURA DEL CIELO RASO	CONFIGURACIÓN	DISTANCIA MAYOR DE 36 PULG. (91 CM) DE LA CAMPANA A LA SUPERFICIE DE LA ESTUFA (vea la nota a continuación)						
		24 pulg. (61 cm)	25 pulg. (63.5 cm)	26 pulg. (66 cm)	27 pulg. (68.6 cm)	28 pulg. (71.1 cm)	29 pulg. (73.7 cm)	30 pulg. (76.2 cm)
		UBICACIÓN DEL ORIFICIO CENTRAL DEL SOPORTE DE MONTAJE POR ENCIMA DE 36 PULG. (91 CM) SOBRE LA SUPERFICIE DE LA ESTUFA						
8 PIES (244 CM)	CON CONDUCTOS	37-7/8 pulg. (96.2 cm)	38-7/8 pulg. (98.7 cm)	39-7/8 pulg. (101.3 cm)	40-7/8 pulg. (103.8 cm)	41-7/8 pulg. (106.4 cm)	42-7/8 pulg. (108.9 cm)	43-7/8 pulg. (111.4 cm)
	SIN CONDUCTOS	37-7/8 pulg. (96.2 cm)	38-7/8 pulg. (98.7 cm)	39-7/8 pulg. (101.3 cm)	40-7/8 pulg. (103.8 cm)	41-7/8 pulg. (106.4 cm)	42-7/8 pulg. (108.9 cm)	43-7/8 pulg. (111.4 cm)
9 PIES (274 CM)	CON O SIN CONDUCTO	---	---	---	40-7/8 pulg. (103.8 cm)	41-7/8 pulg. (106.4 cm)	42-7/8 pulg. (108.9 cm)	43-7/8 pulg. (111.4 cm)
10 PIES (305 CM) (vea la nota b)		37-7/8 pulg. (96.2 cm)	38-7/8 pulg. (98.7 cm)	39-7/8 pulg. (101.3 cm)	40-7/8 pulg. (103.8 cm)	41-7/8 pulg. (106.4 cm)	42-7/8 pulg. (108.9 cm)	43-7/8 pulg. (111.4 cm)

Notas:

- La distancia mínima de la campana sobre la superficie de la estufa no debe ser menor de 24 pulg. (61 cm). Se recomienda enfáticamente una distancia máxima de 30 pulg. (76.2 cm) sobre la superficie de la estufa para la mejor captura de las impurezas resultantes del cocinado. Las distancias mayores de 30 pulg. (76.2 cm) se dejan a criterio de la persona que hace la instalación y del usuario, y si la altura del cielo raso y la longitud del tubo de humos lo permiten.
- Requiere una extensión opcional del tubo de humos de 10 pies (305 cm), el modelo con conductos AEWC345IQSB o el modelo sin conductos AEWC345IQSBN.

INSTALE EL SOPORTE CENTRAL

- Instale el soporte central usando (4) tornillos M4x8. Fig. 7.

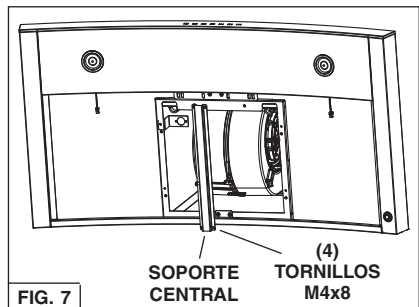


FIG. 7

INSTALACIÓN DEL SOPORTE DE MONTAJE DEL TUBO DE HUMOS

CAMPANAS CON Y SIN CONDUCTOS

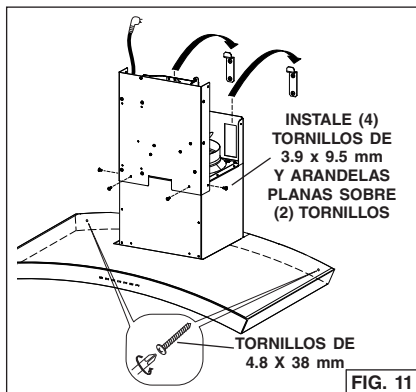
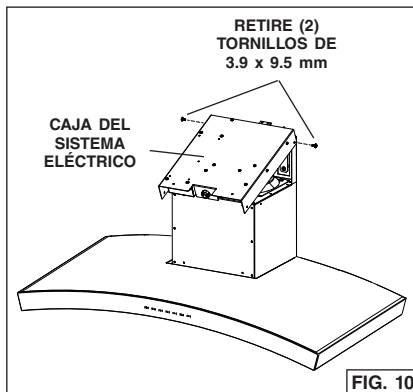
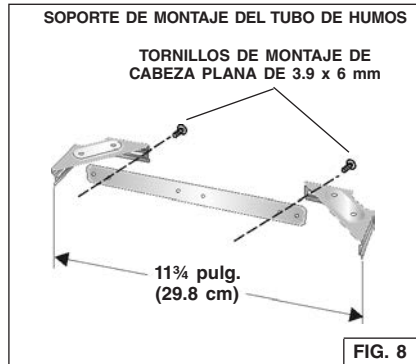
1. Monte el soporte de montaje del tubo de humos, ajustando el ancho exterior como se muestra. Fig. 8.
2. Centre **cuidadosamente** el soporte de montaje directamente sobre la ubicación de la campana de la estufa.
3. Fije el conjunto del soporte en el cielo raso usando (2) tornillos de montaje de 4.8x 38 mm y taquetes para placa de yeso. Fig. 9. Asegúrese de que el soporte quede presionado sobre la esquina, pegado contra la pared y centrado sobre la campana.

INSTALACIÓN DE LA CAMPANA

Nota: Antes de realizar la instalación final, retire la película protectora de plástico de todas las superficies exteriores, tubos de humos decorativos y filtros. Quite los filtros. (Consulte la sección "Instalación de los filtros.")

INSTALACIÓN CON CONDUCTOS y SIN CONDUCTOS

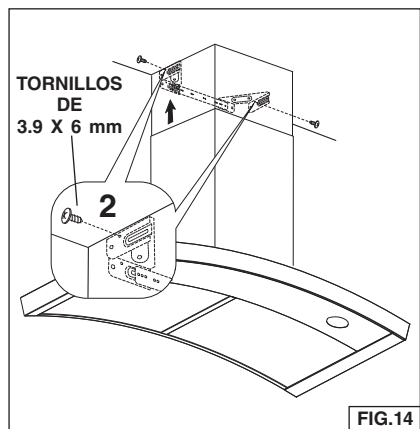
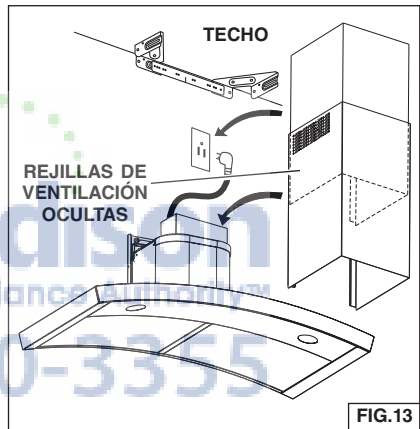
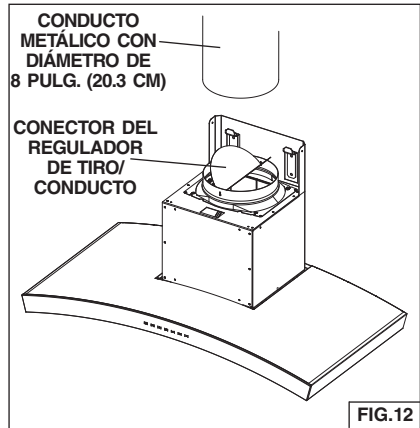
1. Retire la caja del sistema eléctrico del bastidor de la chimenea quitando (2) tornillos de 3.9 x 9.5 mm. Fig. 10.
2. Fije la caja del sistema eléctrico al bastidor usando (2) tornillos de 3.9 x 9.5 mm que quitó en el Paso 1 y (2) tornillos de 3.9 x 9.5 mm y (2) arandelas planas de la bolsa de herrajes.
3. Instale la campana en los soportes de montaje de pared. Fig. 11. Ajuste los tornillos de nivelación en los soportes de montaje para nivelar la campana con el piso.
4. Marque e instale (2) tornillos adicionales, tal como se ilustra. Use taquetes para panel de yeso solamente si fuera necesario.



ÚNICAMENTE EN INSTALACIONES CON CONDUCTOS

Nota: Las habitaciones con cielo raso de 10 pies (305 cm) requieren la extensión del tubo de humos modelo AEWC345 IQSB, disponible en la concesionaria de su localidad. Deseche el tubo de humos superior (incluido con la campana) y reemplácelo con la extensión de tubo de humos más larga.

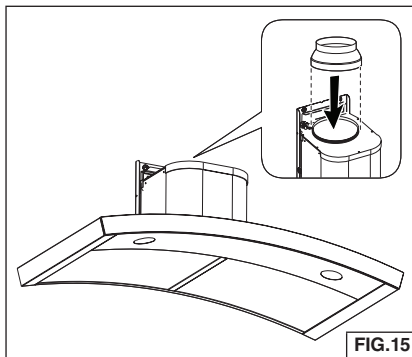
1. Retire la cinta protectora de la salida del ventilador antes de instalar el regulador a la campana con (4) tornillos suministrados y aplique cinta para conductos de aluminio a las uniones. Fig. 12.
2. Tienda un conducto metálico de 8 pulg. (20.3 cm) de diámetro hasta el sitio exterior.
3. Instale una tapa para pared o techo apropiada, con el regulador de tiro, para extraer el aire hacia el exterior.
4. Una todas las uniones con cinta de aluminio para conductos.
5. Conecte el cable eléctrico en el tomacorriente. Fig. 13.
6. Instale los tubos de humos decorativos superior e inferior en la campana.
 - Las rejillas de ventilación quedan ocultas en techos de 8 pies (244 cm)
 - Las rejillas de ventilación quedan expuestas en techos de 9 pies (274 cm)
7. Asegure el tubo de humos superior al soporte de montaje del tubo con (2) tornillos de 3.9 x 6 mm. Fig. 14.



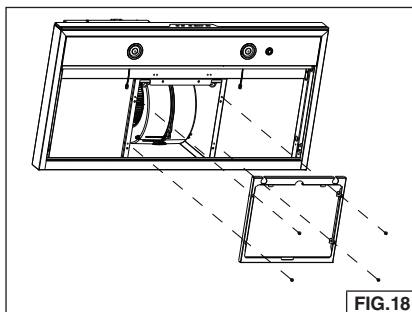
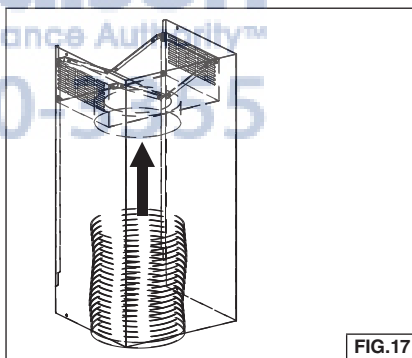
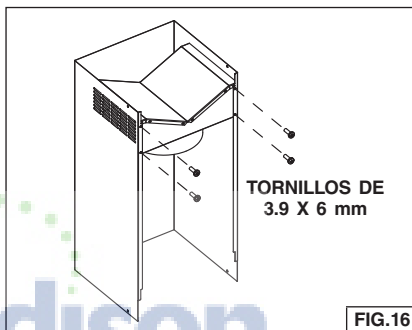
ÚNICAMENTE EN INSTALACIONES SIN CONDUCTOS

Nota:

- a. Compre un juego de recirculación sin conductos, modelo ANKWC345.
- b. Las habitaciones con cielo raso de 10 pies (305 cm) requieren la extensión del tubo de humos modelo AEWC345IQSBN, disponible en la concesionaria de su localidad. Deseche el tubo de humos superior (incluido con la campana) y reemplácelo con la extensión de tubo de humos más larga.



1. Instale el collarín de descarga suministrado con la campana. Fig. 15.
2. Fije el adaptador de 6 a 8 pulg. (15.2 a 20.3 cm) a la descarga del ventilador y aplique cinta para conductos de aluminio a las uniones. Fig. 15.
3. Instale el pleno a la parte superior del tubo de humos decorativo usando (4) tornillos de 3.4 x 15 mm suministrados, como se ilustra. Fig. 16.
4. Fije un conducto expansible de 6 pulg. (15.2 cm) al pleno y aplique cinta para conductos de aluminio a las uniones. Fig. 17.
5. Fije el bastidor para filtro sin conductos usando (4) tornillos de 3.9 x 6 mm. Fig. 18.



6. Asegure juntos temporalmente el tubo de humos superior e inferior con cinta para conductos, como se muestra. Fig. 19.
7. Levante el tubo de humos en su posición por arriba de la campana. Asegure el tubo de humos superior al soporte de montaje del tubo con (2) tornillos de 3.9 x 6 mm. Fig. 20.
8. Estire el conducto expansible, conéctelo al adaptador de 6 a 8 pulg. (15.2 a 20.3 cm) y aplique cinta para conductos en las uniones. Fig. 21.
9. Conecte el cable eléctrico en el tomacorriente.
10. Quite la cinta de los tubos de humos y baje en posición sobre la campana. Fig. 22.

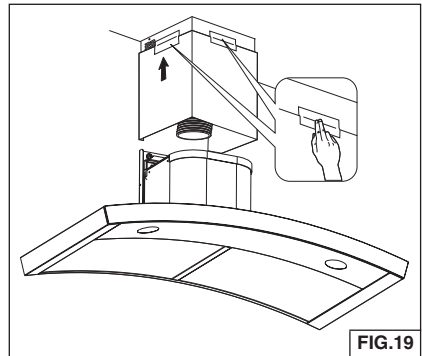


FIG.19

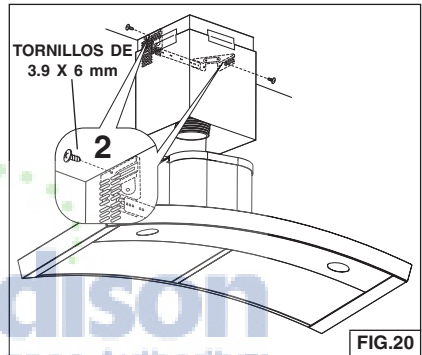


FIG.20

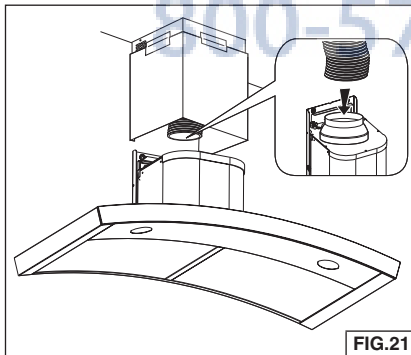


FIG.21

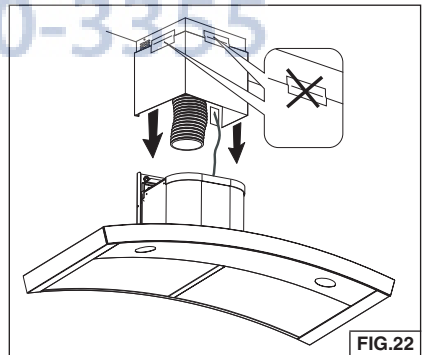


FIG.22

AjMadison
 Your Appliance Authority™
 800-570-3355

INSTALACIÓN DE FILTROS

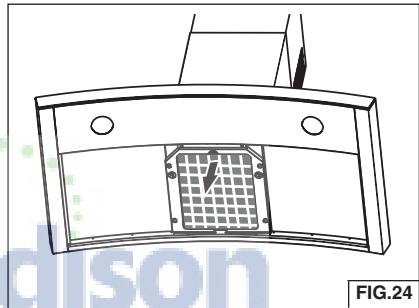
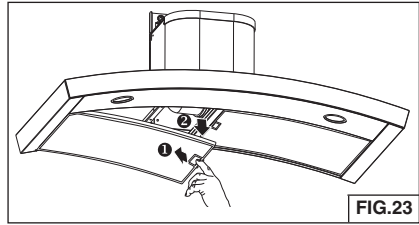
CAMPANAS CON Y SIN CONDUCTOS

1. Para quitar el filtro de GRASA, estire hacia abajo la lengüeta de cierre para desacoplar el filtro de la campana. Incline el filtro hacia abajo y quítelo. Fig. 23.
2. Para instalar el filtro de GRASA, alinee las lengüetas posteriores del filtro con las ranuras de la campana. Estire hacia abajo la lengüeta del cierre, presione el filtro en su posición y libere. Asegúrese de que el filtro esté firmemente acoplado después de su instalación. Fig. 24.

NOTA: Antes de utilizar este producto, despegue la película protectora del bastidor del filtro.

SOLO CAMPANAS PARA SISTEMAS SIN CONDUCTO

1. Para quitar el filtro de CARBÓN, sujete y empuje la pestaña del filtro hacia la parte de atrás de la campana. Estire el filtro hacia abajo para desacoplar las pestañas posteriores del filtro. Fig. 23.
2. Para instalar el filtro de CARBÓN, alinee el filtro en la abertura rectangular. Empuje el filtro contra los resortes en la parte posterior de la campana y presione en su lugar. Asegúrese de que el filtro esté firmemente instalado después de la instalación.
3. Instale el filtro de GRASA después de haber instalado el filtro de carbón.



CALIBRACIÓN DEL VENTILADOR IQ™

SOLO UNIDADES CON CONDUCTOS DE VENTILADOR INTERNO

Después de instalar y cablear la campana, active el proceso de calibración (nuestra tecnología de sistema de desempeño garantizado, para asegurar que se suministre el flujo de aire nominal total). Antes de la calibración, asegúrese de que todos los filtros, las bombillas de luz y el sistema de conductos estén instalados.

PROCESO DE CALIBRACIÓN Fig. 25.

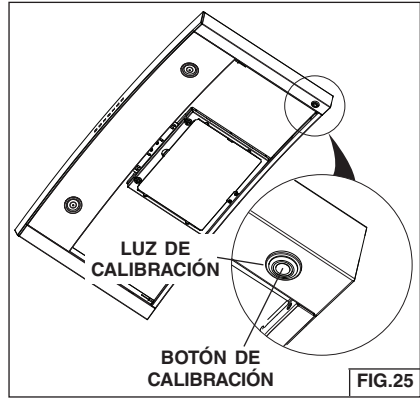
Sostenga el botón de calibración 3 segundos; el botón se encenderá y estará así hasta por 13 minutos. El ventilador arrancará y comenzará el proceso de calibración. Cuando se termine la calibración, ocurrirá una de dos cosas:

- A. El ventilador se apaga y la luz del botón de calibración se apaga = calibración exitosa.
- B. El ventilador se apaga y el botón de calibración destella continuamente = Demasiada restricción en los conductos impide que el ventilador IQ™ obtenga el flujo de aire nominal. El ventilador se configura automáticamente en su intensidad máxima.

NOTA: Elementos comunes que provocan restricciones: el alerón del regulador está restringido (regulador de contratiro, tapa de pared, tapa de techo), demasiados codos, tamaño de conducto menor del 80% de salida de la campana, mala transición, uso de conductos flexibles y/o conductos aplastados.

Se tienen disponibles dos opciones:

1. Presione el botón de calibración para aceptar el flujo de aire tal cual. El ventilador IQ™ está configurado ahora en su ajuste más alto posible. La luz de calibración destellante se apaga.
2. Corrija la restricción del conducto y repita el proceso de calibración.
 - a. Para despejar los datos de calibración originales, sostenga el botón de calibración 10 segundos. La luz destellará 3 veces para confirmar y la configuración del ventilador regresará a los ajustes predeterminados.
 - b. Repita el proceso de calibración.



PROCEDIMIENTO DEL MODO DE PROGRAMACIÓN DEL VENTILADOR EXTERNO (WC35E)

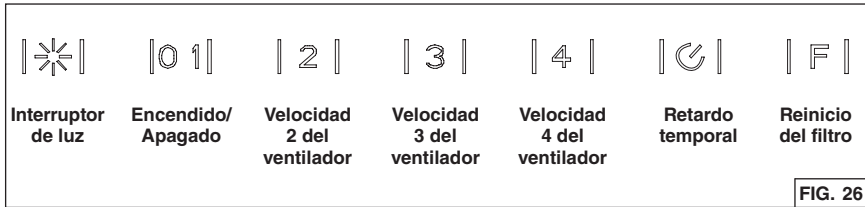


FIG. 26

La campana está diseñada para funcionar con diversos modelos diferentes de ventilador. Antes de usarlo, primero debe programar el control según su modelo de ventilador, con el fin de obtener velocidades de operación adecuadas.

Del cuadro siguiente:

- Encuentre el número de CONFIGURACIÓN que corresponde al modelo de ventilador instalado con su campana.
- El control está preconfigurado de fábrica en la CONFIGURACIÓN 3. Si su modelo de ventilador se encuentra en CONFIGURACIÓN 3, no se requiere programación y la campana está lista para usarse.

	CONFIGURACIÓN 	CONFIGURACIÓN 	CONFIGURACIÓN
VENTILADOR MODELO NÚMERO	EB6 ILB3 ILB6	EB12 EB15 ILB9	EB9 ILB11 (predeterminada)

- Para programar modelos de ventilador enumerados en CONFIGURACIÓN 1 y 2:

A) La campana debe tener suministro eléctrico. El ventilador y las luces deben estar apagadas.

B) Presione y mantenga presionado durante 5 segundos. + + destellará 3 veces. Después de 1 segundo, se encenderán , o para indicar el ajuste actual.

C) Seleccione la CONFIGURACIÓN adecuada para su ventilador en el cuadro a la izquierda. Presione , o para seleccionar la CONFIGURACIÓN adecuada. Luego presione para confirmar y guardar el nuevo ajuste.

D) La campana está ahora lista para usar.

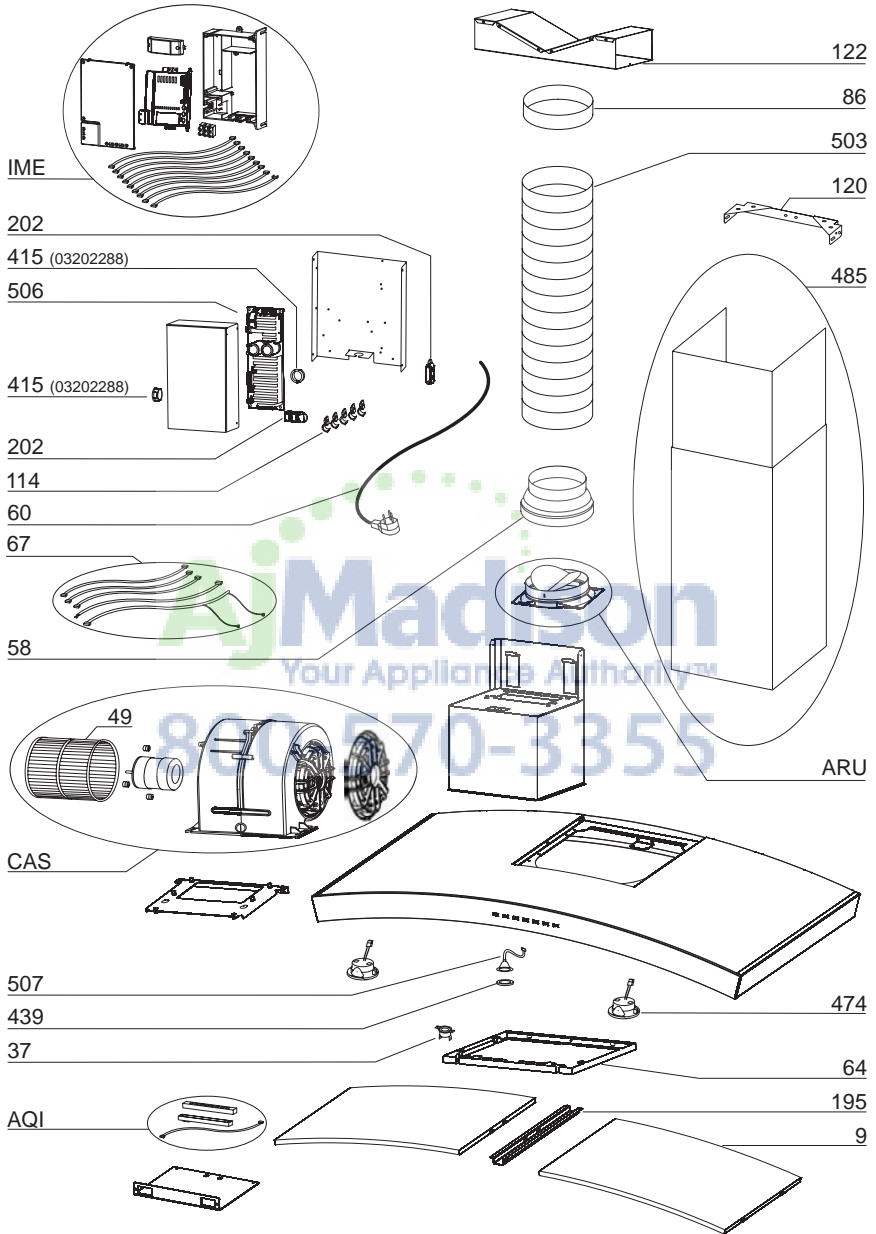
PIEZAS DE SERVICIO

SERIE WC35IQ

CLAVE N.º	DESCRIPCIÓN	N.º DE PIEZA
CAS	CONJUNTO DE VENTILADOR	06002259
49	VENTILADOR (EN SENTIDO DE LAS AGUJAS DEL RELOJ)	03295071
IME	CONJUNTO DE INSTALACIÓN ELÉCTRICA	06145222
114	CABLES	032904990
506	CONTROLADOR BLDC	97019431
67	CABLES	06102592
202	TOPE DEL REFLECTOR	03292290
415	GUÍA DE CABLE	03202288
60	CABLE DE ALIMENTACIÓN	02300249
415	GUÍA DE CABLE	03202288
37	PERILLA	02300804
474	LÁMPARA LED	08093413
AQI	CONJUNTO DE LA CAJA DEL INTERRUPTOR	06102590
439	ANILLO DE TOPE	02320034
507	BOTÓN DE CALIBRACIÓN DE CABLES	06102584
195	SOPORTE	E3351078
9	FILTRO DE GRASA	08087823
ARU	JUEGO DE SALIDA DE AIRE DE CONEXIÓN	080810849
485	JUEGO DE CONDUCTO TELESCÓPICO	08016368
120	SOPORTE DE MONTAJE DEL TUBO DE HUMOS	08091851
195	SOPORTE CENTRAL	E3351078
122	PLENO PARA SISTEMAS SIN CONDUCTOS	08093478
86	ANILLO ADAPTADOR DE 6 PULG. (15.2 CM)	032292300
503	CONDUCTO EXPANSIBLE DE 6 PULG. (15.2 CM)	02011557
58	REDUCTOR DE 8 A 6 PULG. (20.3 CM A 15.2 CM)	03294170

PIEZAS DE SERVICIO

SERIE WC35IQ



PIEZAS DE SERVICIO

SERIE WC35E

CLAVE N.º	DESCRIPCIÓN	N.º DE PIEZA
IME	CONJUNTO DE INSTALACIÓN ELÉCTRICA	06145223
166	TABLERO DE CIRCUITOS ELÉCTRICOS IMPRESOS	08080877
145	CAJA DE CONEXIÓN DEL CABLE DE ALIMENTACIÓN	032920170
147	PINZA DE UNIÓN	R2300132
146	CUBIERTA DE LA CAJA DE CONEXIÓN DEL CABLE DE ALIMENTACIÓN	032920180
151	TOPE DE CABLES DE LA CAJA ELÉCTRICA	032920200
114	CABLES	032904990
67	CABLES	06102593
60	CABLE DE ALIMENTACIÓN	02300249
37	PERILLA	02300804
474	LÁMPARA LED	08093413
AQI	CONJUNTO DE LA CAJA DEL INTERRUPTOR	06102591
195	SOPORTE	E3351078
9	FILTRO DE GRASA	08087823
ARU	JUEGO DE SALIDA DE AIRE DE CONEXIÓN	080810849
485	JUEGO DE CONDUCTO TELESCÓPICO	08016368
120	SOPORTE DE MONTAJE DEL TUBO DE HUMOS	08091851
195	SOPORTE CENTRAL	E3351078

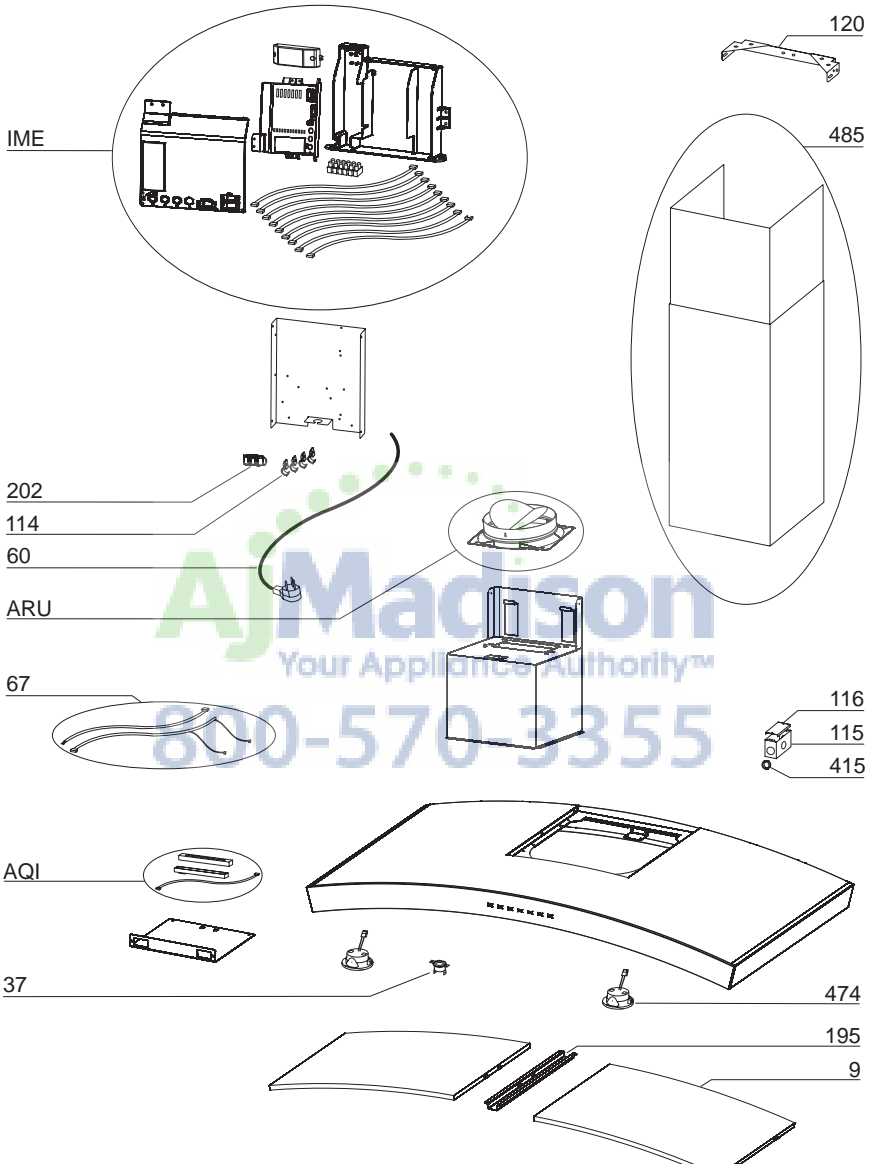


 Your Appliance Authority™

800-570-3355

PIEZAS DE SERVICIO

SERIE WC35E



GARANTÍA

GARANTÍA LIMITADA DE UN AÑO PARA LOS PRODUCTOS BEST

Broan-NuTone LLC (Broan-NuTone) garantiza al consumidor comprador original de los productos BEST que tales productos estarán libres de defectos en materiales o mano de obra durante un período de un año a partir de la fecha de la compra original. NO EXISTEN OTRAS GARANTÍAS, EXPRESAS NI IMPLÍCITAS, INCLUIDAS, ENTRE OTRAS, GARANTÍAS IMPLÍCITAS DE COMERCIALIZACIÓN O IDONEIDAD PARA UN PROPÓSITO PARTICULAR.

Durante este período de un año, Broan-NuTone, a su criterio, reparará o reemplazará sin cargo alguno cualquier pieza o producto que se encuentre defectuoso bajo condiciones normales de uso y servicio.

LA PRESENTE GARANTÍA NO CUBRE ARRANCADORES DE LÁMPARAS FLUORESCENTES, TUBOS, BOMBILLAS HALÓGENAS E INCANDESCENTES, FUSIBLES, FILTROS, CONDUCTOS, TAPAS DE TECHO O DE PARED Y DEMÁS ACCESORIOS DE CANALIZACIÓN. Esta garantía no cubre (a) mantenimiento y servicio normales, ni (b) ningún producto o piezas que se hayan sometido a uso inadecuado, negligencia, accidente, mantenimiento o reparación inadecuada (no hecha por Broan-NuTone), instalación incorrecta o instalación en contra de las instrucciones de instalación recomendadas.

La duración de cualquier garantía implícita se limita a un período de un año, como se especifica en la garantía expresa. Algunos estados no permiten limitaciones en cuanto al tiempo de vencimiento de una garantía implícita, por lo que la limitación antes mencionada podría no aplicarse a usted.

LA OBLIGACIÓN DE BROAN-NUTONE DE REPARAR O REEMPLAZAR, A CRITERIO DE BROAN-NUTONE, SERÁ EL ÚNICO Y EXCLUSIVO RECURSO DEL COMPRADOR BAJO ESTA GARANTÍA. BROAN-NUTONE NO SERÁ RESPONSABLE POR DAÑOS INCIDENTALES, RESULTANTES O ESPECIALES QUE SURJAN DEL USO O DESEMPEÑO DEL PRODUCTO O EN RELACIÓN CON EL MISMO. Algunos estados no permiten la exclusión o limitación de daños incidentales o resultantes, por lo que la limitación antes mencionada podría no aplicarse a usted.


Esta garantía le otorga derechos legales específicos, y usted podría tener otros derechos que varían de un estado a otro. Esta garantía sustituye a todas las garantías anteriores.

Para tener derecho al servicio de la garantía, usted debe (a) notificar a Broan-NuTone a la dirección y número de teléfono que aparecen abajo, (b) proporcionar el número de modelo y la identificación de la pieza y (c) describir la naturaleza de cualquier defecto en el producto o pieza. En el momento de solicitar el servicio cubierto por la garantía, debe presentar un comprobante de la fecha de compra original.

En EE.UU. - Best®, 926 W. State Street, Hartford, WI 53027 (800-558-1711)

En Canadá - Best®, 550 Lemire Blvd., Drummondville, QC J2C 7W9 (866-737-7770)

www.BestRangeHoods.com


Your Appliance Authority™
800-570-3355





