

FISHER & PAYKEL

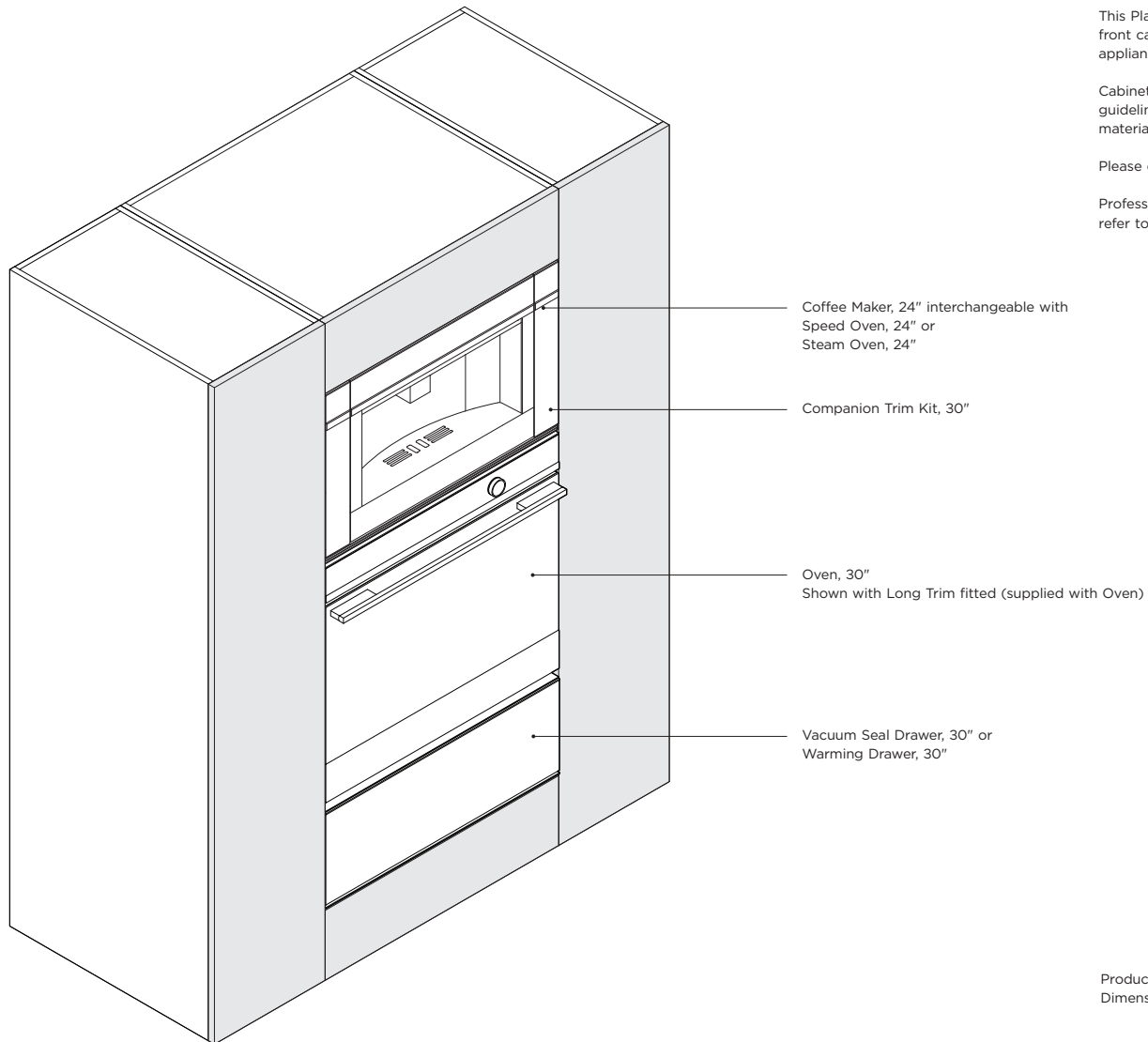
30" TRIPLE STACK
CONTEMPORARY + MINIMAL STYLE

Details for Flush Installation

PLANNING GUIDE

FISHER & PAYKEL

COMBINATION OVERVIEW 30" Triple Stack



This Planning Guide outlines the specific installation of a flush finish with front cabinetry for the 30" Triple Stack, with Contemporary and Minimal Style appliances.

Cabinetry dimensions and construction contained in this document are a guideline only and will need to be adapted to suit specific location, cabinetry materials and construction methods.

Please consult individual product literature for full installation instructions.

Professional Style appliances have different cabinetry requirements, please refer to separate Planning Guide for these specifications.

Product models are available in either Contemporary or Minimal style. Dimensions are the same for both styles.

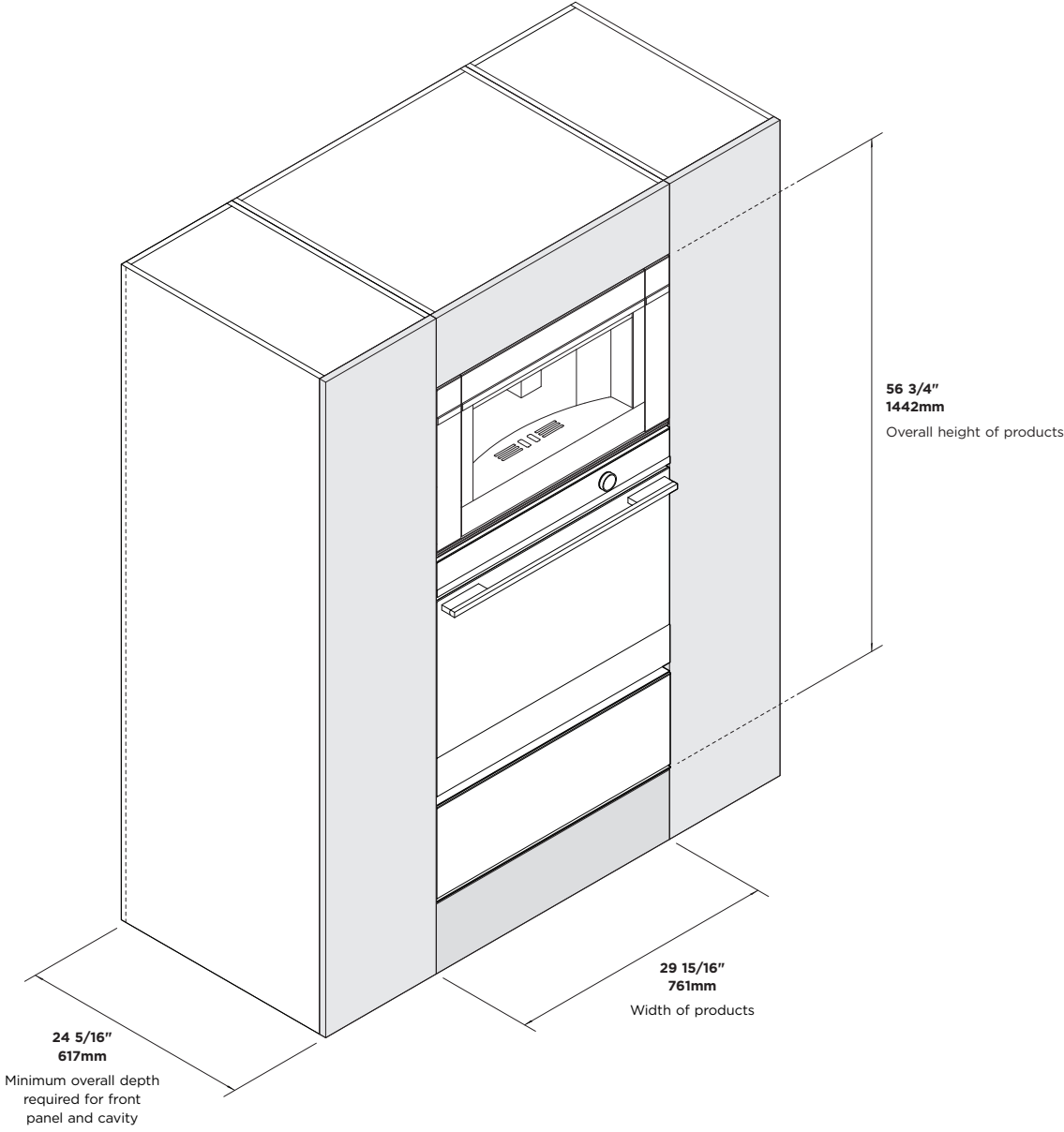
DATE: **November 18, 2021**

IMPORTANT: Throughout this guide, dimensions may vary by $\pm 2\text{mm}$ (1/16"). Read the installation guide for detailed information on installing the product. For full installation instructions and specifications visit fisherpaykel.com

FISHER & PAYKEL

OVERALL DIMENSIONS 30" Triple Stack

Product models are available in either Contemporary or Minimal style. Dimensions are the same for both styles.



DATE: November 18, 2021

IMPORTANT: Throughout this guide, dimensions may vary by ±2mm (1/16"). Read the installation guide for detailed information on installing the product. For full installation instructions and specifications visit fisherpaykel.com

KEY PRODUCT DECISIONS

1

STYLE



CONTEMPORARY STYLE

A timeless aesthetic featuring clean lines and complementary tonal contrasts. Signature design elements are reflected seamlessly across the style for a suite of ovens that are designed to match.



MINIMAL STYLE

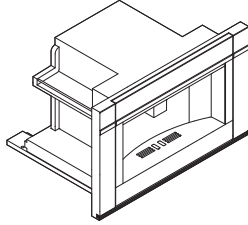
Celebrating a singular aesthetic to blend seamlessly into the kitchen, Minimal style ovens feature subtle textural and tonal contrasts for a sense of refinement and purity.

PROFESSIONAL STYLE

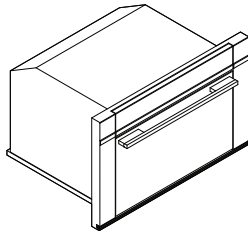
See separate Planning Guide for 30" Triple Stack, Professional Style

2

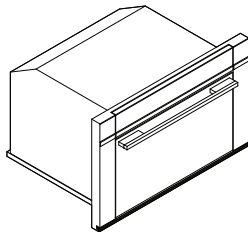
UPPER PRODUCT FUNCTION



Built-in Coffee Maker, 24"
(Shown with Trim Kit)



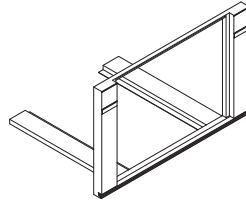
Speed Oven, 24"
(Shown with Trim Kit)



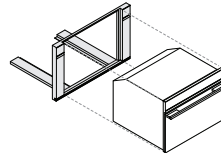
Steam Oven, 24"
(Shown with Trim Kit)

REQUIRED

COMPANION TRIM KIT 30"



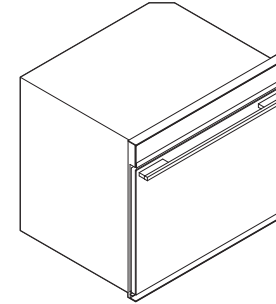
Companion Trim Kit, 30"
(Purchased separately 24" Product)



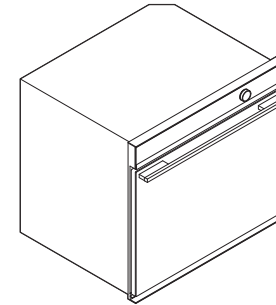
Companion Trim Kit, 30"
(Combines with 24" Coffee Maker, Speed Oven and Steam Oven)

3

OVEN SPECIFICATION



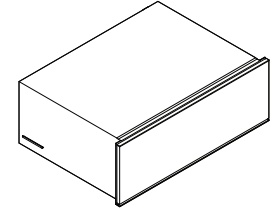
Oven, 30"
17 Function, Self-cleaning, Touchscreen
(Shown with Long Trim fitted)



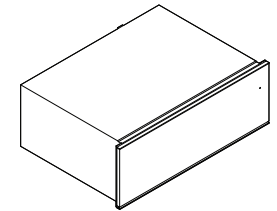
Oven, 30"
17 Function, Self-cleaning, Touchscreen with Dial
(Shown with Long Trim fitted)

4

DRAWER FUNCTION



Vacuum Seal Drawer, 30"



Warming Drawer, 30"

STYLE	Coffee Maker, 24"	Speed Oven, 24"	Steam Oven, 24"
CONTEMPORARY	EB24DSXB1	OM24NDB1	OS24NDB1
MINIMAL	EB24DSXBB1	OM24NDBB1	OS24NDBB1

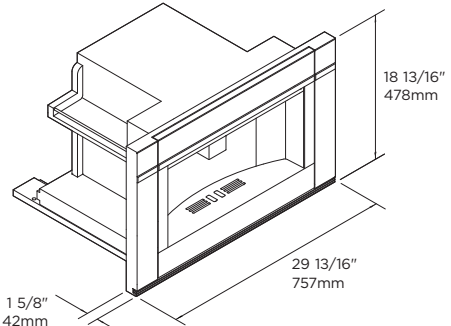
Companion Trim Kit, 30"
TK30NDB1
TK30NDBB1

Oven, 30"
OB30SDPTX1
OB30SDPTDX1 - Dial
OB30SDPTB1
OB30SDPTDB1 - Dial

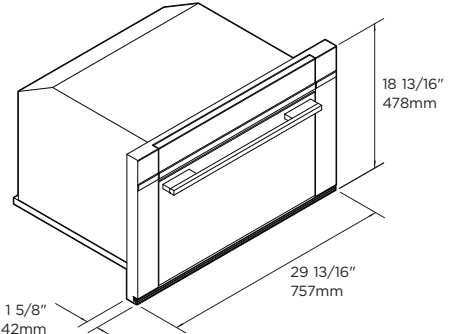
Vacuum Seal Drawer, 30"	Warming Drawer, 30"
VB30SDEX1	WB30SDEX1
VB30SDEB1	WB30SDEB1

FISHER & PAYKEL

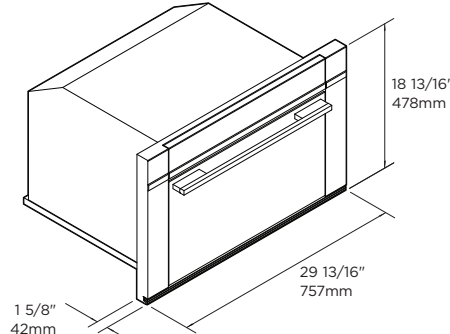
KEY PRODUCT DIMENSIONS 30" Triple Stack



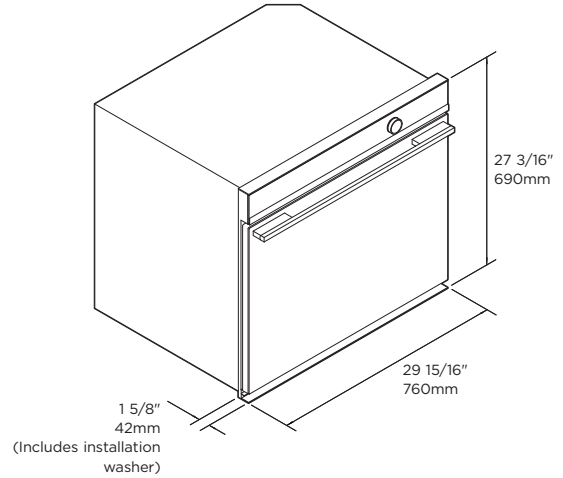
COFFEE MAKER, 24"
Shown with Companion Trim Kit, 30"



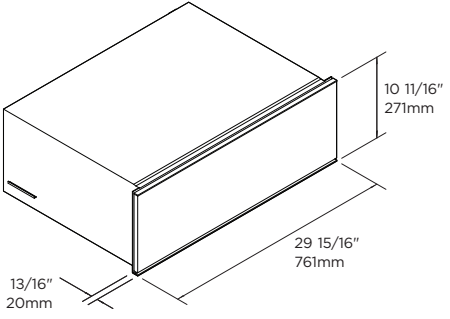
SPEED OVEN, 24"
Shown with Companion Trim Kit, 30"



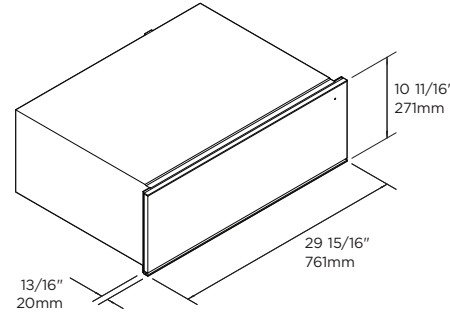
STEAM OVEN, 24"
Shown with Companion Trim Kit, 30"



OVEN, 30"
Shown with Long Trim fitted



WARMING DRAWER, 30"

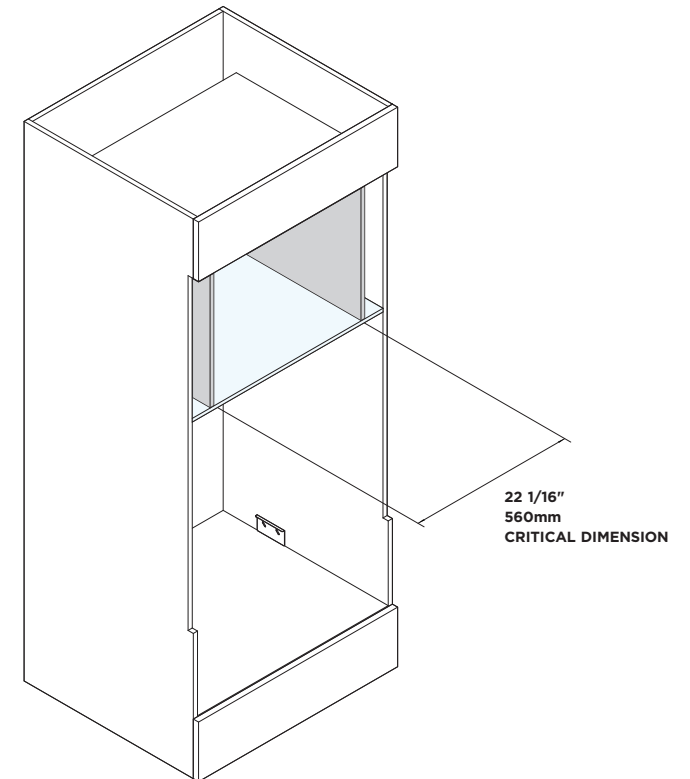
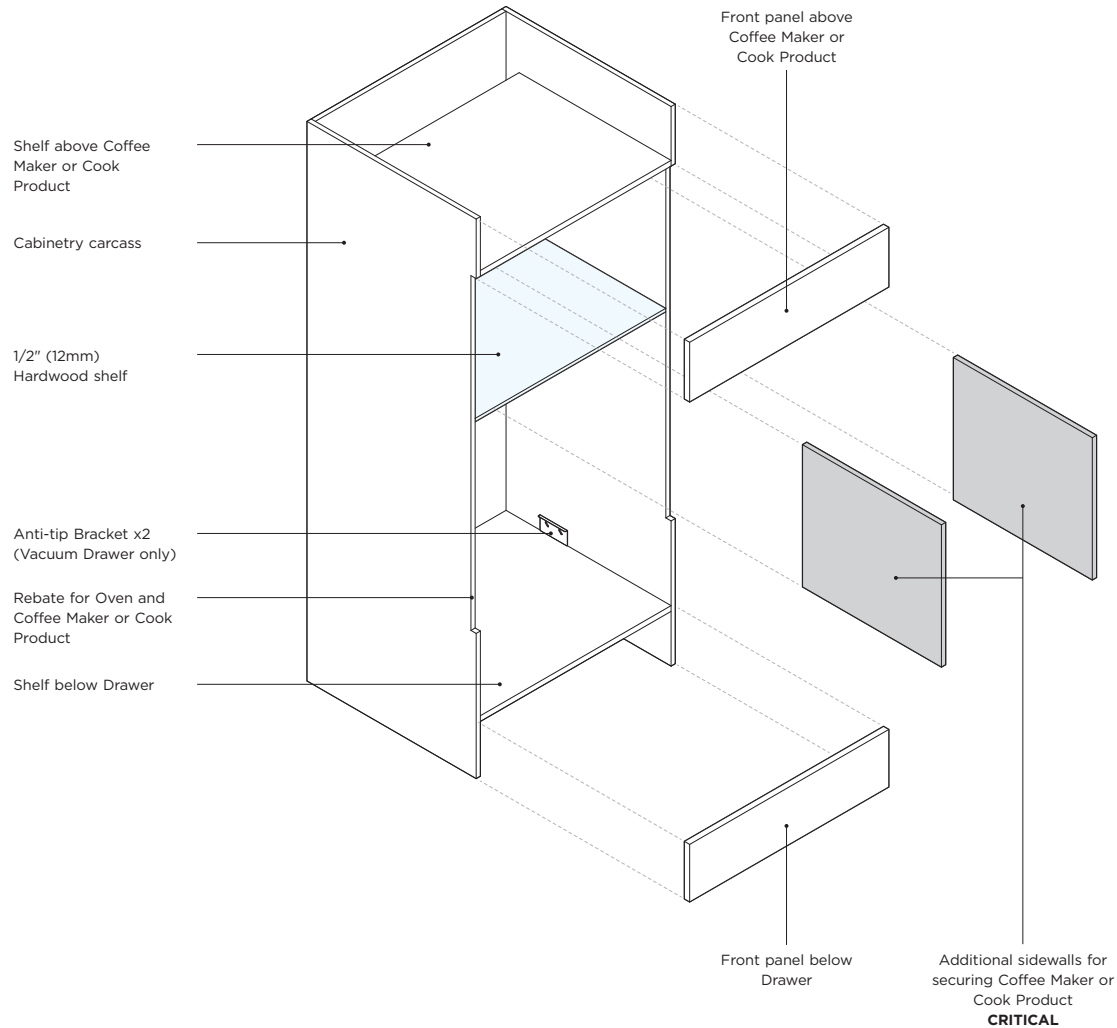


VACUUM SEAL DRAWER, 30"

FISHER & PAYKEL

CABINETRY OVERVIEW 30" Triple Stack

This is an overview of cabinetry construction and product installation. Please see following pages for further details.



IMPORTANT

- Shelves must be constructed from materials that will support weight of appliances.
- The cabinetry materials must be able to withstand heat.
- During installation appliances may need to be shimmed for precise alignment between products and cabinetry.
- Power cable requirements and cable outlet position can be found by consulting individual product installation manuals.
- Consult individual product installation manuals for complete product and cabinetry requirements

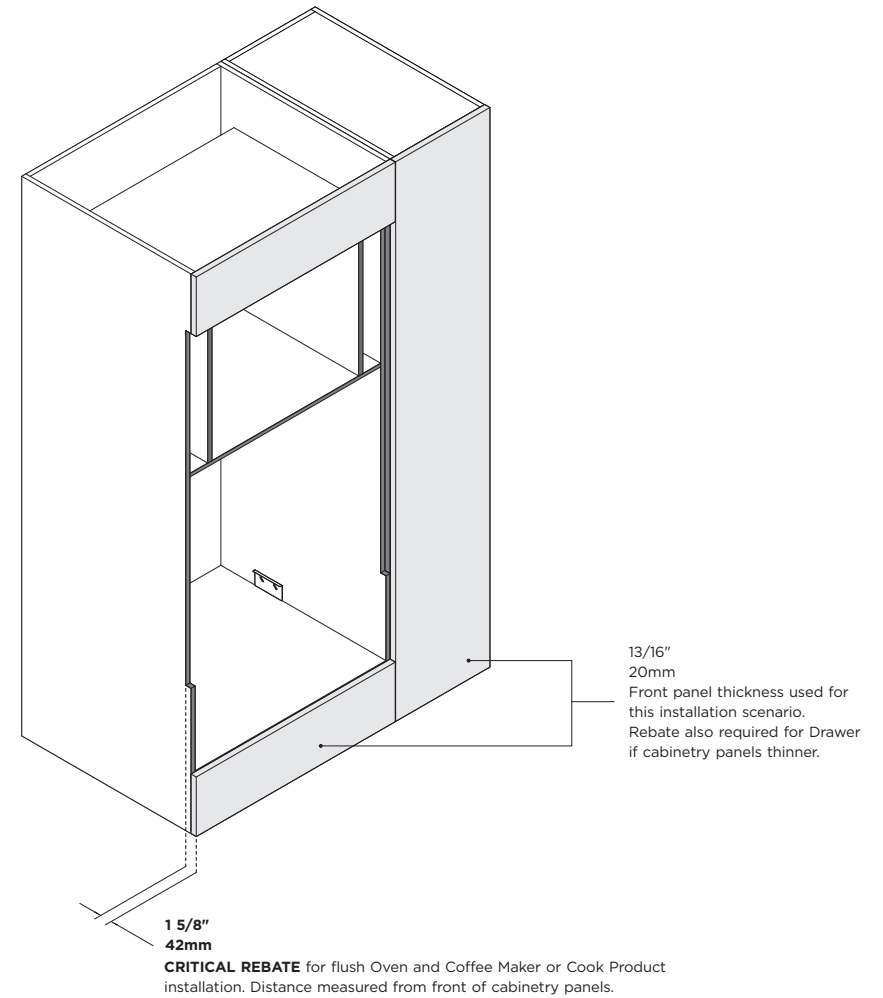
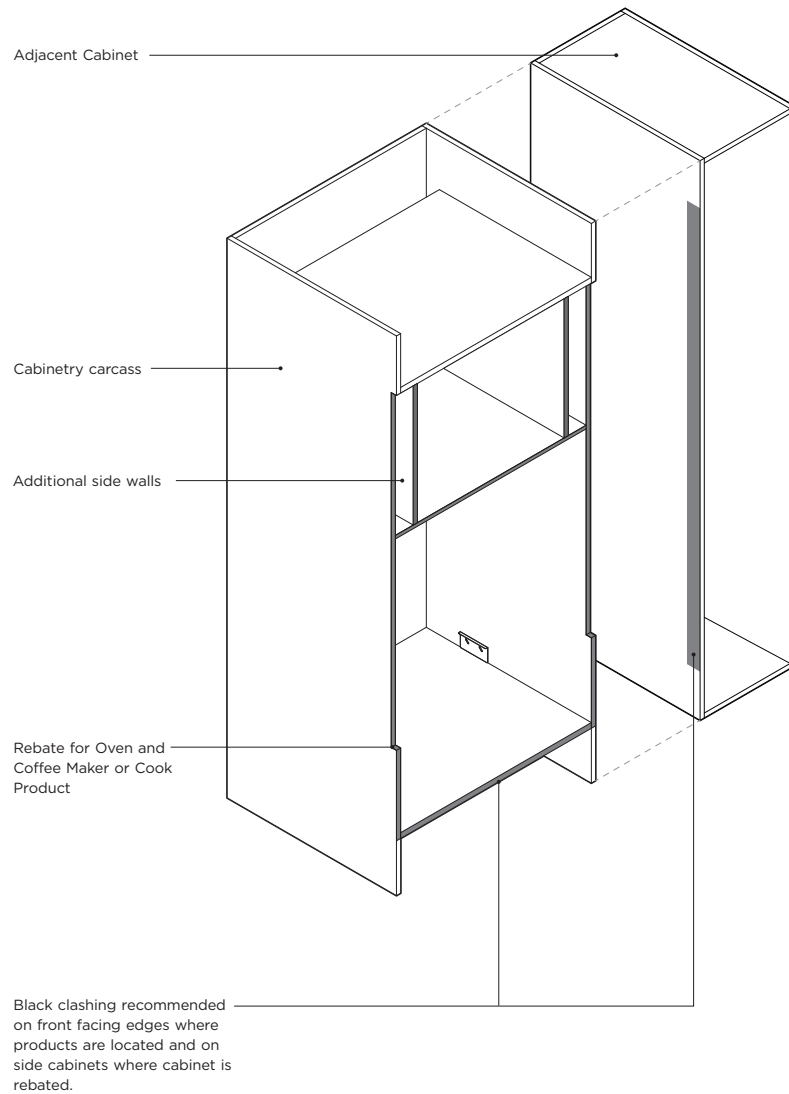
DATE: **November 18, 2021**

IMPORTANT: Throughout this guide, dimensions may vary by $\pm 2\text{mm}$ (1/16"). Read the installation guide for detailed information on installing the product. For full installation instructions and specifications visit fisherpaykel.com

FISHER & PAYKEL

CABINETY OVERVIEW 30" Triple Stack

This is an overview of cabinetry construction and product installation.
Please see following pages for further details.



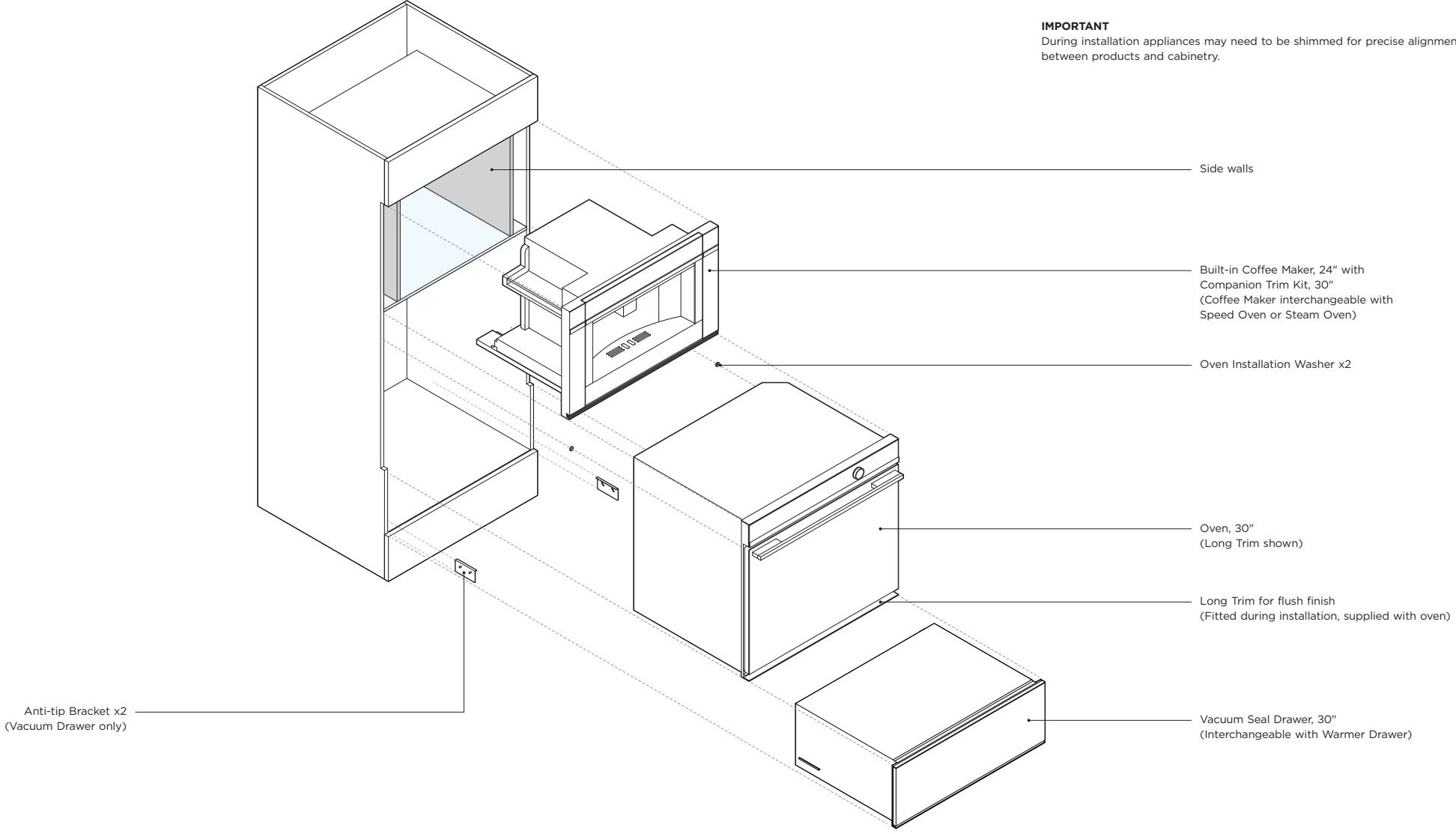
DATE: November 18, 2021

IMPORTANT: Throughout this guide, dimensions may vary by $\pm 2\text{mm}$ (1/16").
Read the installation guide for detailed information on installing the product.
For full installation instructions and specifications visit fisherpaykel.com

FISHER & PAYKEL

EXPLODED VIEW 30" Triple Stack

IMPORTANT
During installation appliances may need to be shimmed for precise alignment between products and cabinetry.

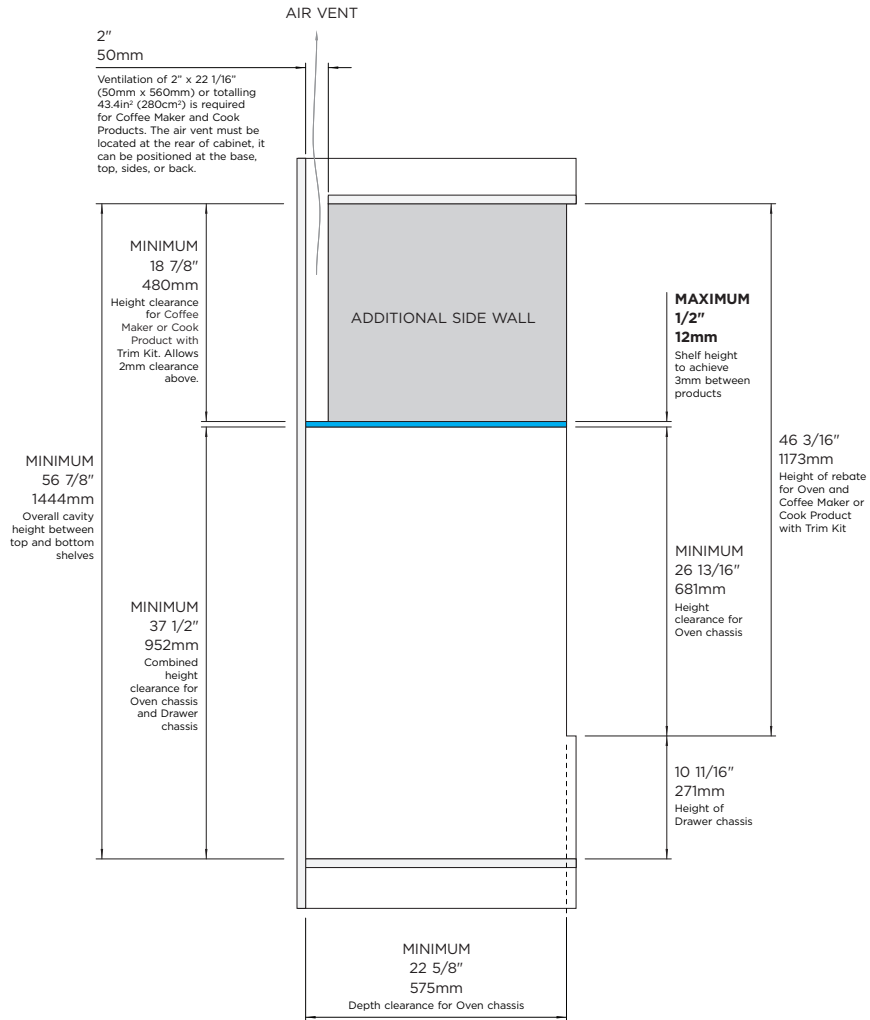


DATE: **November 18, 2021**

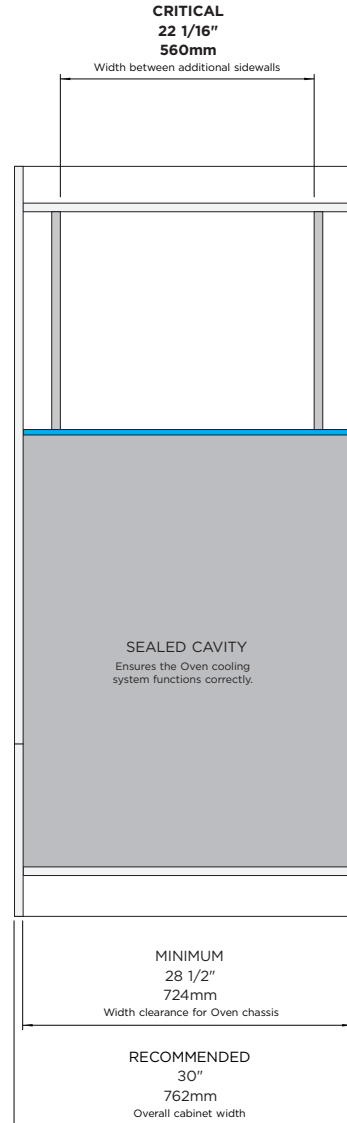
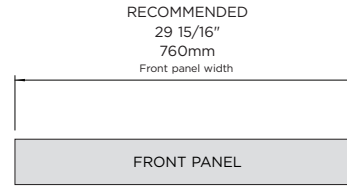
IMPORTANT: Throughout this guide, dimensions may vary by $\pm 2\text{mm}$ (1/16"). Read the installation guide for detailed information on installing the product. For full installation instructions and specifications visit fisherpaykel.com

IMPORTANT NOTE:

MINIMUM and CRITICAL dimensions are stated to meet product installation requirements and compliance standards. Where these dimensions are not adhered to product safety and performance may be compromised, along with undesirable fit in cabinetry.



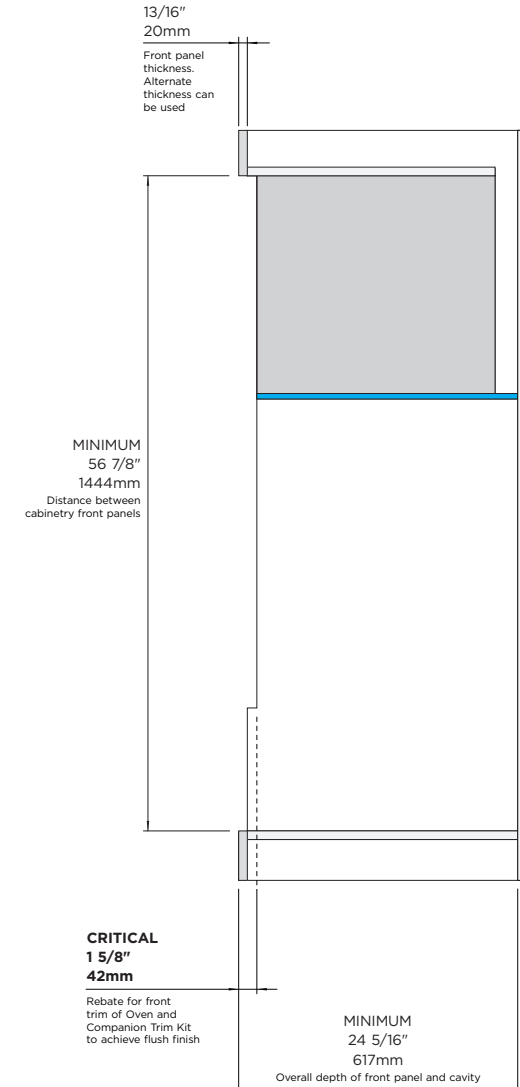
SIDE ELEVATION
without front panels



FRONT ELEVATION
without front panels

FISHER & PAYKEL

CABINERY DIMENSIONS
30" Triple Stack

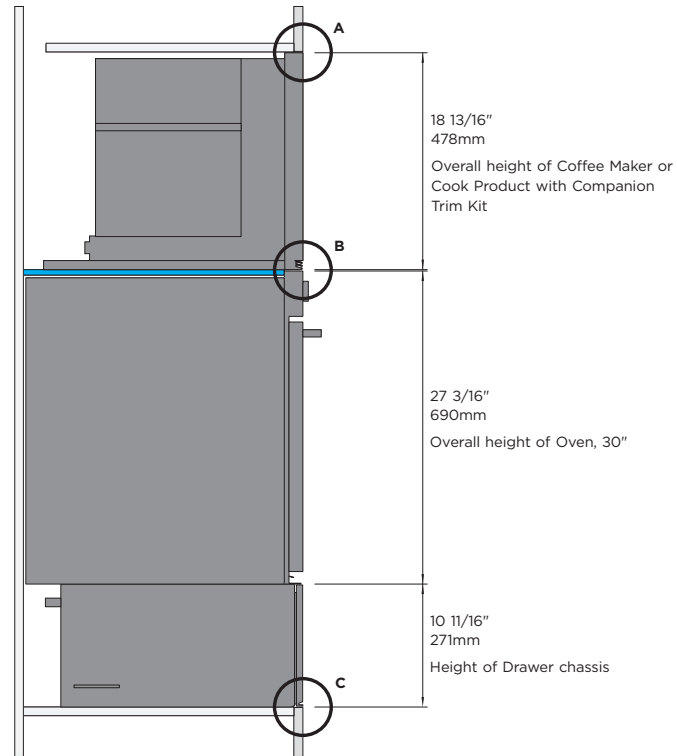


SIDE ELEVATION
with front panels

FISHER & PAYKEL

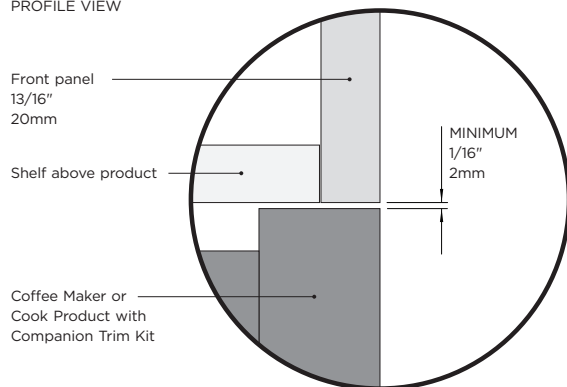
INSTALLATION DETAILS - PROFILE VIEW 30" Triple Stack

PROFILE VIEW

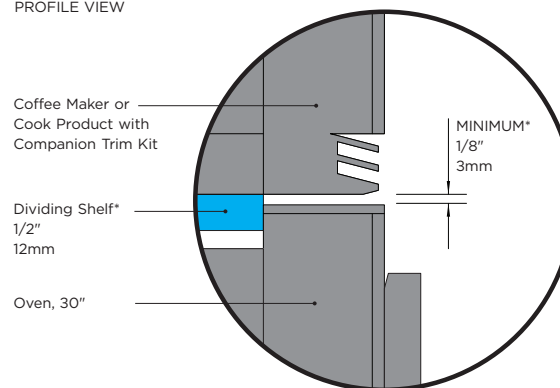


***IMPORTANT NOTE:**
1/8" (3mm) gap between 30" Oven and Companion Trim is dependant on 1/2" (12mm) shelf thickness. Increasing shelf thickness will increase gap between products respectively. Position of base of shelf is determined by Oven chassis clearance requirements and can not be lowered.

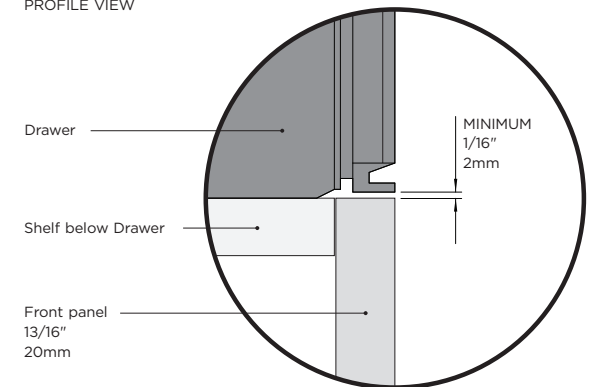
DETAIL A
PROFILE VIEW



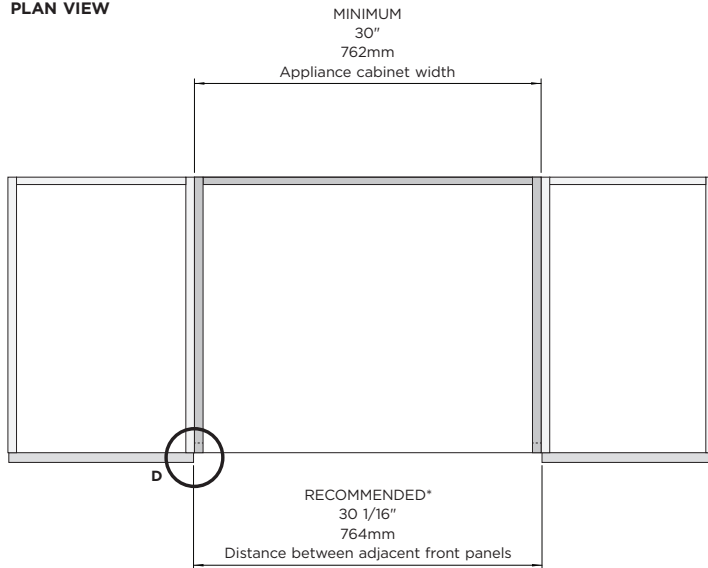
DETAIL B
PROFILE VIEW



DETAIL C
PROFILE VIEW

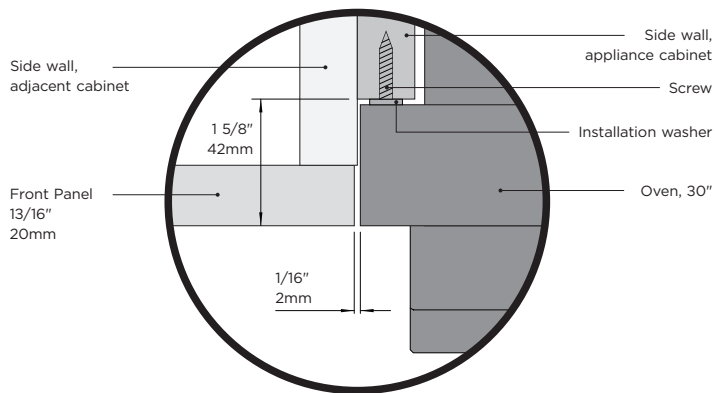


PLAN VIEW



*NOTE: Dimensions based on 1/16" (2mm) clearance between Oven and adjacent front panels. Product widths vary, consult detail views D1 and D2 for Coffee Maker or Cook Product with Trim Kit, and Drawer clearances.

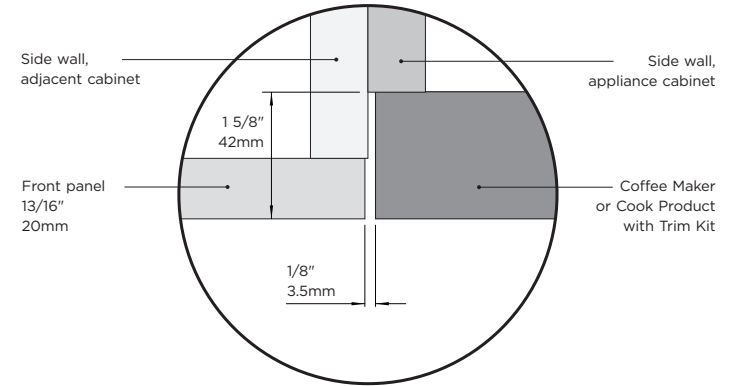
DETAIL D - OVEN with rebate
PLAN VIEW



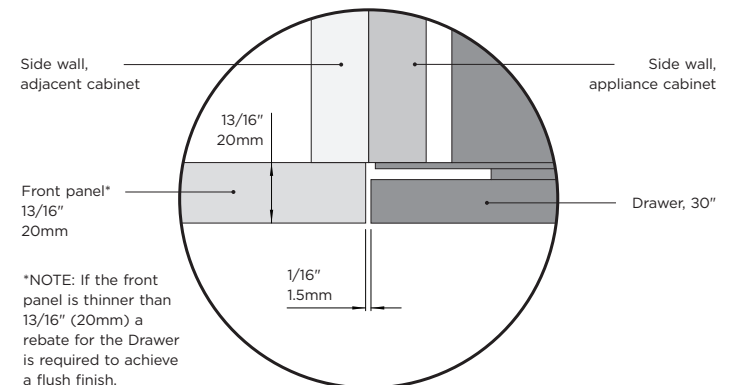
FISHER & PAYKEL

INSTALLATION DETAILS - PLAN VIEW
30" Triple Stack

DETAIL D1 - COFFEE MAKER OR COOK PRODUCT with rebate
PLAN VIEW



DETAIL D2 - DRAWER
PLAN VIEW



*NOTE: If the front panel is thinner than 13/16" (20mm) a rebate for the Drawer is required to achieve a flush finish.

DATE: **November 18, 2021**

IMPORTANT: Throughout this guide, dimensions may vary by ±2mm (1/16"). Read the installation guide for detailed information on installing the product. For full installation instructions and specifications visit fisherpaykel.com

THESE INSTRUCTIONS ARE FOR THESE SPECIFIC INSTALLATION SCENARIOS. OTHER CABINETY CONSTRUCTION METHODS ARE POSSIBLE. PLEASE CONSULT PRODUCT INSTALLATION MANUALS FOR FULL PRODUCT SPECIFICATIONS AND CLEARANCE REQUIREMENTS.

IMPORTANT: The product dimensions and specifications apply at the date of issue. Under our policy of continuous product improvement, these dimensions and specifications may change at any time. Dimensions may vary by $\pm 2\text{mm}$ (1/16"). Please read the installation guide for detailed information on installing the product or visit fisherpaykel.com.

November 2021