

Axxis® Washer WAS24460UC

Washer Spec Sheet

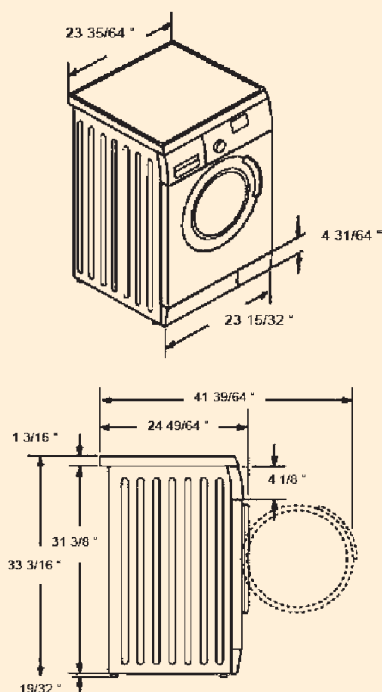


WAS24460UC

Features & Benefits

- Full Text LED Display
- 56 dB Quiet Operation
- 1200 rpm Spin Speed

Dimensions:



| | |
|------------------------|-------------------|
| Product Name | Axxis Plus Washer |
| Model Number | WAS24460UC |
| Drum Capacity (IEC) | 3.4 cu.ft. |
| Spin Speed Settings | 1200 rpm |
| Silence Rating | 56 db |
| Energy Usage kWh/year | 130 |
| Annual Water Usage | 3904 gal/year |
| ENERGY STAR® Qualified | Yes |

| | |
|-------------------------|-----------|
| Dimensions | |
| Height | 33 3/16" |
| Width | 23 35/64" |
| Depth | 24 49/64" |
| Door Opening (Angle) | 165° |
| Minimum Stacking Height | 68 3/16" |
| Weight | 164 lbs |
| Weight with Packaging | 169 lbs |
| Door Hinge | Left |
| Reversible Door | No |

| | |
|-------------------------------|-------------------------------------|
| Materials and Finishes | |
| Cabinet | White |
| Drum | Stainless Steel, Structured Drum |
| Top | Mekalit |

| | |
|-----------------------|-----------|
| Technical Data | |
| Supply Voltage | 208-240V |
| Stackable | Yes |
| Cord Included | Yes |
| Frequency | 60 Hz |
| Amperage | 10A |
| UL | UL listed |

| | |
|-------------------------|---|
| Wash Options | |
| Heavy Duty | Yes |
| Quick Wash | Yes |
| Rinse Plus | Yes |
| Child Lock-Out Function | Yes |
| Reduced Ironing | Yes |
| Wash Cycles | Cotton Permanent press, Delicates, Hand wash, Wool, Soak, Drain, Spin, SANITARY™, Refresh, Quickwash, Sports wear, Dark colors, Silk/Satin, KIDSCARE™ |
| Spin Speed Settings | 5 |
| Temperature Settings | Extra, Hot, Warm, Cold |

| | |
|---|--|
| Advanced Features | |
| Display | LED |
| Internal Water Heater | Yes |
| High Efficiency Tumble Action | |
| Wash System | Yes |
| Detergent Efficiency System with 3 Dispenser Chamber | Yes |
| SENSOTRONIC™ II Plus | Yes |
| Accessories | |
| Stacking Kits: | WTZ11300UC (with pull-out tray) WTZ11310UC (with trim and without pull-out tray) WMZ20460 (11-inch Pedestal including pullout drawer and basket) |

| | |
|-------------------|--------------------------|
| Controls | |
| Control Types | Electronic/Touch Control |
| No. of Buttons | 8 |
| Status Indicators | Yes |

| | |
|--------------------------------|-------------|
| Convenience Features | |
| Time Remaining Display | Yes |
| Adjustable End Of Cycle Signal | Yes |
| Pedestal | WMZ20460 |
| Height Adjustment Range | Yes, 15/32" |



Washers are UL approved. Notes: All height, width and depth dimensions are shown in inches. *Please refer to installation instructions prior to making cutout. BSH reserves the absolute and unrestricted right to change product materials and specifications, at any time, without notice. Consult the product's installation instructions for final dimensional data and other details. Applicable product warranty can be found in accompanying product literature or you may contact your account manager for further details.

For more information on our entire line of products, go to boschappliances.com or call 1-800-944-2904.

Copyright ©2008 BSH Home Appliances Corporation. All rights reserved. Bosch is a registered trademark of Robert Bosch GmbH.

