

Axxis® Washer WAS20160UC

Washer Spec Sheet

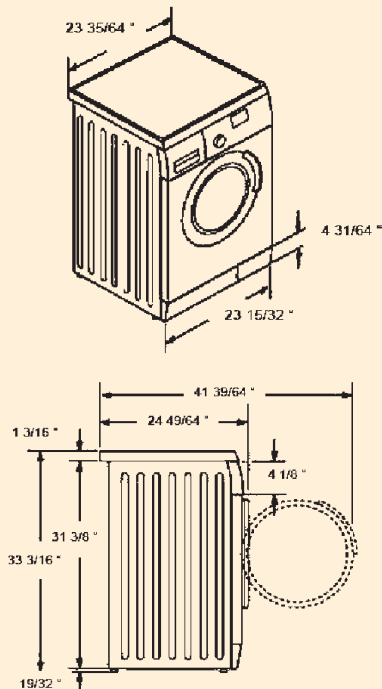


WAS20160UC

Features & Benefits

- 56 dB Quiet Operation
- 1000 rpm Spin Speed

Dimensions:



Product Name	Axxis Washer
Model Number	WAS20160UC
Drum Capacity (IEC)	3.4 cu.ft.
Spin Speed Settings	1000 rpm
Silence Rating	56 db
Energy Usage kWh/year	120
Annual Water Usage	3908 gal/year
ENERGY STAR® Qualified	Yes

Dimensions	
Height	33 3/16"
Width	23 35/64"
Depth	24 49/64"
Door Opening (Angle)	165°
Minimum Stacking Height	68 3/16"
Weight	164 lbs
Weight with Packaging	169 lbs
Door Hinge	Left
Reversible Door	No

Materials and Finishes	
Cabinet	White
Drum	Stainless Steel, Structured Drum
Top	Mekalit

Technical Data	
Supply Voltage	208-240V
Stackable	Yes
Cord Included	Yes
Frequency	60 Hz
Amperage	10A
UL	UL listed

Wash Options	
Heavy Duty	Yes
Rinse Plus	Yes
Child Lock-Out Function	Yes
Reduced Ironing	Yes
Wash Cycles	Regular/Cotton (Cold,Warm,Hot), Wool, Hand wash, Delicates, KIDSCARE™ , SANITARY™, Refresh, Soak, Drain, Spin, Permanent Press (Cold, Warm, Hot)
Spin Speed Settings	5

Advanced Features	
Internal Water Heater	Yes
High Efficiency Tumble Action Wash System	Yes
Detergent Efficiency System with 3 Dispenser Chamber	Yes
SENSOTRONIC™ Plus	Yes
Accessories	
Stacking Kits:	WTZ11300UC (with pull-out tray) WTZ11310UC (with trim and without pull-out tray) WMZ20460 (11-inch Pedestal including pullout drawer and basket)

Controls	
Control Types	Electronic/ Touch Control
No. of Buttons	6
Status Indicators	Yes

Convenience Features	
Pedestal	WMZ20460
Height Adjustment Range	Yes, 15/32"



Washers are UL approved. Notes: All height, width and depth dimensions are shown in inches. *Please refer to installation instructions prior to making cutout. BSH reserves the absolute and unrestricted right to change product materials and specifications, at any time, without notice. Consult the product's installation instructions for final dimensional data and other details. Applicable product warranty can be found in accompanying product literature or you may contact your account manager for further details.

For more information on our entire line of products, go to boschappliances.com or call 1-800-944-2904.

Copyright ©2008 BSH Home Appliances Corporation. All rights reserved. Bosch is a registered trademark of Robert Bosch GmbH.

