

# 24" Compact Washer

## Axxis - White

### WAP24201UC



## Features and Benefits

### Key Features

- Large Capacity on Compact Footprint
- Wash Up to 17.6 lbs – Fits Up to 18 Towels in One Load
- AntiVibration System for Second Floors Installation
- Unique Raindrop Stainless Steel Drum
- 15 Wash Cycles and 6 Options
- Large LED Display with Remaining Time

### Design

- Neat White - European Design
- Large Door with Silver Door Ring
- Large LED Display with Remaining Time
- Electronic Control
- Snag Free Stainless Steel Structured Drum
- Stackable - Space Saving
- AntiVibration Design Reduces Vibration by up to 30%

### Performance

- Sensor-controlled Automatic Washing Programs
- ActiveWater® Technology for more Efficient Water Use
- Unique Raindrop Drum Pattern for Powerful & Gentle Cleaning
- Up to 1200 rpm Maximum Spin Speed
- 4 Spin Speed Settings
- 3D Sensor Controls Imbalance
- 15 Wash Cycles: Cotton Normal, Perm Press, Sanitary, Jeans, Quick Wash 30 min, Delicates, Active Wear, Heavy Duty, Whitest Whites, Towels, Anti Shrink, Woolens/Handwash, Maintenance, Rinse, Spin/Drain



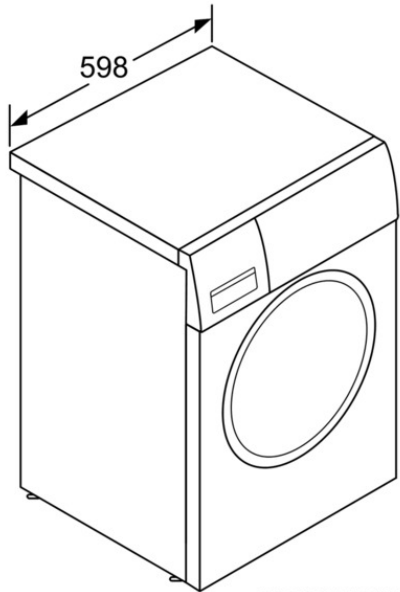
Notes: All height, width and depth dimensions are shown in inches. \*Please refer to installation instructions prior to making cutout. BSH reserves the absolute and unrestricted right to change product materials and specifications, at any time, without notice. Consult the product's installation instructions for final dimensional data and other details. Applicable product warranty can be found in a accompanying product literature or you may contact your account manager for further details.

For more information on our entire line of products, go to [boschappliances.com](http://boschappliances.com) or call 1-800-944-2904.  
Copyright ©2013 BSH Home Appliances Corporation. All rights reserved. Bosch is a registered trademark of Robert Bosch GmbH.

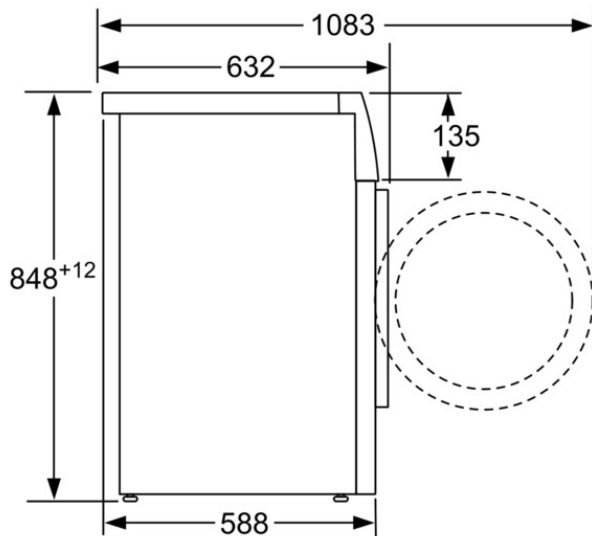
Litho Date: 10/2013



24" Compact Washer  
 Axxis - White  
 WAP24201UC



measurements in mm



measurements in mm

**Features**

UPC code	825225904823
Variant color	White
Door ring	silver-grey
Buttons	silver
Dial	silver
Alternative colors available	
Noise level washing (dB(A) re 1 pW)	59
Watts (W)	2300
Current (A)	12
Volts (V)	208-240
Frequency (Hz)	60
Total annual energy consumption (kWh)	135
Water Consumption (gal/y)	3640
Energy Star® qualified	Yes
Power cord included	Yes
Power Cord Length	61"
Plug type	240V-3 prong
Length outlet hose (in)	57.00
Length inlet hose (in)	47.00
AQUASTOP® Hose	Yes
Overall appliance dimensions (HxWxD) (in)	33 1/4" x 23 1/2" x 25"
Product packaging dimensions (HxWxD) (in)	34 1/4" x 25 1/4" x 26 3/4"
Net weight (lbs)	167
Gross weight (lbs)	170
Capacity (cu. ft.)	2.2

**Technical Specification**

Leak protection system	Aquasecure
Number of Options	7
Maximum spin speed (rpm)	1200
Spin speed options	
Internal Water Heater	Yes
Display	Yes
Status indicator	LED

Notes: All height, width and depth dimensions are shown in inches. \*Please refer to installation instructions prior to making cutout. BSH reserves the absolute and unrestricted right to change product materials and specifications, at any time, without notice. Consult the product's installation instructions for final dimensional data and other details. Applicable product warranty can be found in a accompanying product literature or you may contact your account manager for further details.

For more information on our entire line of products, go to [boschappliances.com](http://boschappliances.com) or call 1-800-944-2904.  
 Copyright ©2013 BSH Home Appliances Corporation. All rights reserved. Bosch is a registered trademark of Robert Bosch GmbH.

Litho Date: 10/2013

