

Washer

User manual

WA54R7600A*

SAMSUNG

Contents

Safety information	4
What you need to know about the safety instructions	4
Important safety symbols	4
Important safety precautions	5
CALIFORNIA PROPOSITION 65 WARNING	6
Critical installation warnings	6
Installation cautions	7
Critical usage warnings	8
Usage cautions	9
Critical cleaning warnings	12
Installation	13
Unpacking your washer	13
What's included	14
Installation requirements	16
Step-by-step installation	19
Before you start	28
Initial settings	28
Laundry guidelines	28
Detergent drawer guidelines	32
Operations	35
Control panel	35
Simple steps to start	38
Cycle overview	39
Cycle chart	41
Special features	43
Smart Care	46

Maintenance	47
Self Clean	47
Cleaning the exterior	48
Cleaning the interior	49
Care for an extended period of non-use	49
Cleaning the mesh filter	50
Cleaning the detergent drawer	51
Troubleshooting	53
Checkpoints	53
Information codes	58
Specifications	62
Fabric care chart	62
Helping the environment	63
Declaration of conformity	64
Specification sheet	64

Safety information

Congratulations on your new Samsung washer. This manual contains important information on the installation, use, and care of your appliance. Please take some time to read this manual to take full advantage of your washer's many benefits and features.

What you need to know about the safety instructions

Please read this manual thoroughly to ensure that you know how to safely and efficiently operate the extensive features and functions of your new appliance. Please store the manual in a safe location close to the appliance for future reference. Use this appliance only for its intended purpose as described in this instruction manual.

Warnings and Important Safety Instructions in this manual do not cover all possible conditions and situations that may occur. It is your responsibility to use common sense, caution, and care when installing, maintaining, and operating your washer.

Because the following operating instructions cover various models, the characteristics of your washer may differ slightly from those described in this manual and not all warning signs may be applicable. If you have any questions or concerns, contact your nearest service center or find help and information online at www.samsung.com.

Important safety symbols

What the icons and signs in this user manual mean:

WARNING

Hazards or unsafe practices that may result in **severe personal injury, death, and/or property damage**.

CAUTION

Hazards or unsafe practices that may result in **personal injury and/or property damage**.

NOTE

Indicates that a risk of personal injury or material damage exists.

These warning signs are here to prevent injury to yourself and others. Please follow them explicitly. After reading this manual, store it in a safe place for future reference.

Read all instructions before using the appliance.

As with any equipment that uses electricity and moving parts, potential hazards exist. To safely operate this appliance, familiarize yourself with its operation and exercise care when using it.

SAVE THESE INSTRUCTIONS

Important safety precautions

WARNING

To reduce the risk of fire, electric shock, or injury to persons when using your appliance, follow basic precautions, including the following:

1. Read all instructions before using this appliance.
2. Do not wash or dry articles that have been previously cleaned in, washed in, soaked in, or spotted with gasoline, dry-cleaning solvents, other flammable or explosive substances as they give off vapors that could ignite or explode.
3. Do not allow children to play on or in the appliance. Close supervision of children is necessary when the appliance is used near children.
4. Before the appliance is removed from service or discarded, remove the lid of the washing or drying compartment.
5. Do not reach into the appliance if the drum is moving.
6. Do not install or store this appliance where it will be exposed to the weather.
7. Do not tamper with the controls.
8. Do not repair or replace any part of the appliance or attempt any servicing unless it is specifically recommended in the user-maintenance instructions or in published user-repair instructions that you understand and have the skills to carry out.
9. Do not add gasoline, dry-cleaning solvents, or other flammable or explosive substances to the wash water. These substances give off vapors that could ignite or explode.
10. Under certain conditions, hydrogen gas may be produced in a hot water system that has not been used for 2 weeks or more. **HYDROGEN GAS IS EXPLOSIVE.** If the hot water system has not been used for 2 weeks or more, before using a washer or combination washer-dryer, turn on all hot water faucets and let the water flow from each for several minutes. This will release any accumulated hydrogen gas. As the gas is flammable, do not smoke or use an open flame during this time.

SAVE THESE INSTRUCTIONS

Safety information

CALIFORNIA PROPOSITION 65 WARNING

WARNING

Cancer and Reproductive Harm - www.P65Warnings.ca.gov.

Critical installation warnings

WARNING

Plug the power cord into an AC 120 V / 60 Hz/wall socket rated at 15 amps or higher. Use the socket for this appliance only. In addition, do not use an extension cord.

- Sharing a wall socket with other appliances, using a power strip, or extending the power cord may result in electric shock or fire.
- Do not use an electric transformer. It may result in electric shock or fire.
- Ensure that the power voltage, frequency, and current match the product's specifications. Failing to do so may result in electric shock or fire.

Have this appliance installed by a qualified technician or service company.

- Failing to do so may result in electric shock, fire, an explosion, problems with the product, or injury.

Remove all foreign substances such as dust or water from the power plug terminals and contact points using a dry cloth on a regular basis.

- Unplug the power plug and clean it with a dry cloth.
- Failing to do so may result in electric shock or fire.

Plug the power plug into the wall socket in the right direction so that the cord runs towards the floor.

- If you plug the power plug into the socket in the opposite direction, the electric wires within the cable may be damaged and this may result in electric shock or fire.

This appliance must be properly grounded. Do not ground the appliance to a gas pipe, plastic water pipe, or telephone line.

- Improper grounding may result in electric shock, fire, an explosion, or problems with the product.
- Never plug the power cord into a socket that is not grounded correctly. Make sure the socket you use is grounded in accordance with local and national codes.

Do not install this appliance near a heater or flammable material.

SAVE THESE INSTRUCTIONS

Do not install this appliance in a humid, oily, or dusty location, or in a location exposed to direct sunlight or water (rain drops).

Do not install this appliance in a location where gas may leak.

- This may result in electric shock or fire.

Plug the power plug into the wall socket firmly. Do not use a damaged power plug, damaged power cord, or loose wall socket.

- This may result in electric shock or fire.

Do not pull or excessively bend the power cord.

Do not twist or tie the power cord.

Do not hook the power cord over a metal object, place a heavy object on the power cord, insert the power cord between objects, or push the power cord into the space behind the appliance.

- This may result in electric shock or fire.

Do not pull the power cord when unplugging the power plug.

- Unplug the power plug by pulling the plug.
- Failing to do so may result in electric shock or fire.

If the power plug or power cord are damaged, contact your nearest Samsung service center.

Installation cautions

CAUTION

Position the appliance so that the power plug is easily accessible.

- Failing to do so may result in electric shock or fire due to electric leakage.

Install your appliance on a level and hard floor that can support its weight.

- Failing to do so may result in abnormal vibrations, noise, or problems with the product.

Unplug the power plug when the appliance is not being used for long periods of time or during a thunder/lightning storm.

- Failing to do so may result in electric shock or fire.

SAVE THESE INSTRUCTIONS

Safety information

Critical usage warnings

WARNING

If the appliance is flooded, cut the power immediately and contact your nearest Samsung service center.

If the appliance emits a strange noise, a burning smell, or smoke, unplug the power plug immediately and contact your nearest Samsung service center.

- Failing to do so may result in electric shock or fire.

In the event of a gas leak (such as propane gas, LP gas, etc.), ventilate the area immediately. Do not turn any appliance or light on or off.

- Do not use a ventilating fan.
- A spark may result in an explosion or fire.

Do not wash items contaminated with gasoline, kerosene, benzene, paint thinner, alcohol, or other flammable or explosive substances.

- This may result in electric shock, fire, or an explosion.

Do not force the washer lid open while the washer is operating (high-temperature washing/drying/spinning).

- Water flowing out of the washer may cause burns or cause the floor to be slippery. This may result in injury.
- Forcing the lid open can damage the product or cause injury.

Make sure to remove the packaging (sponge, styrofoam) attached to the bottom of the washer before using it.

Do not insert your hand under the washer.

- This may result in injury.

Do not touch the power plug with wet hands.

- This may result in electric shock.

Do not turn the appliance off by unplugging the power plug while the washer is in operation.

- Plugging the power plug into the wall socket again may cause a spark and result in electric shock or fire.

Keep all packaging materials well out of the reach of children, as packaging materials can be dangerous to children.

- If a child places a plastic bag over his or her head, the child may suffocate.

SAVE THESE INSTRUCTIONS

Do not let children or infirm persons use this washer unsupervised.

- Failing to do so may result in electric shock, burns, or injury.

Do not insert your hand or a metal object under the washer while it is operating.

- This may result in injury.

Do not attempt to repair, disassemble, or modify the appliance yourself.

- Do not use any fuse (such as copper, steel wire, etc.) other than a standard fuse.
- If you need to repair or reinstall the appliance, contact your nearest Samsung service center.
- Failing to do so may result in electric shock, fire, problems with the product, or injury.

If any foreign substance such as water enters the appliance in any area other than the tub, unplug the power plug and contact your nearest Samsung service center.

- Failing to do so may result in electric shock or fire.

If the water supply hose comes loose from the faucet and floods the appliance, unplug the power plug.

- Failing to do so may result in electric shock or fire.

For waterproof fabrics, only use the WATERPROOF cycle.

- Do not use other cycles for waterproof fabrics. This may result in injury or damage to the washer, walls, floor, or clothing due to abnormal vibrations.
- Set the temperature and spin according to the attached care label.
- **WARNING** : Failure to closely follow these instructions may result in an abnormal vibrating and out-of-balance condition that could result in physical injury, property damage, and/or appliance damage.

Usage cautions

CAUTION

If the washer is contaminated by a foreign substance such as detergent, dirt, food waste, etc., unplug the power plug and clean the washer using a damp, soft cloth.

- Failing to do so may result in discoloration, deformation, damage, or rust.

The clear portion of the lid can be broken by a strong impact. Take care when using the washer.

- If the clear portion is cracked or broken, it may result in injury.

SAVE THESE INSTRUCTIONS

Safety information

After a water supply failure or when reconnecting the water supply hose, open the faucet slowly.

Open the faucet slowly after a long period of non-use.

- The air pressure in the water supply hose or the water pipe may result in damage to a part or in water leakage.

If a drain error occurs during an operation, check if there is a draining problem.

- If the washer is used when it is flooded because of a draining problem, it may result in electric shock or fire due to electric leakage.

Do not insert your hand under the washer.

- This may result in injury.

Insert the laundry into the washer completely so that laundry does not get caught in the lid.

- If laundry gets caught in the lid, it may result in damage to the laundry or the washer, or result in water leakage.

Ensure that the faucet is turned off when the washer is not being used.

- Ensure that the water supply hose connectors are properly tightened.
- Failing to do so may result in property damage or injury.

Open the faucet and check if the water supply hose connector is firmly tightened and that there is no water leaking before using the product.

- If the water supply hose connectors are loose, it may result in water leakage.

Do not stand on top of the appliance or place objects (such as laundry, lighted candles, lighted cigarettes, dishes, chemicals, metal objects, etc.) on the appliance.

- This may result in electric shock, fire, problems with the product, or injury.

Do not operate the appliance with wet hands.

- This may result in electric shock.

Do not spray volatile material such as insecticide onto the surface of the appliance.

- As well as being harmful to humans, it may also result in electric shock, fire, or problems with the product.

Do not place an object that generates an electromagnetic field near the washer.

- This may result in injury due to a malfunction.

Since the water drained during a high-temperature wash or drying cycle is hot, do not touch the water.

SAVE THESE INSTRUCTIONS

-
- This may result in burns or injury.

Do not operate the washer if the detergent dispenser is removed.

- This may result in electric shock or injury due to water leakage.

Do not insert your hand into the detergent dispenser after opening it.

- This may result in injury as your hand may be caught.

Do not place any non-laundry objects, such as shoes, food waste, or animals into the washer.

- This can cause abnormal vibrations that can damage the washer, and, in the case of pets, cause severe injury or death.

Do not press the buttons using sharp objects such as pins, knives, fingernails, etc.

- This may result in electric shock or injury.

Do not wash laundry contaminated by oils, creams, or lotions usually found in skincare shops or massage clinics.

- This may result in the rubber seal becoming deformed and water leakage.

Do not leave metal objects (safety pins, hair pins, etc.) or bleach in the tub for long periods of time.

- This may cause the tub to rust.
- If rust appears on the surface of the tub, apply a neutral cleansing agent to the surface and use a sponge to clean it. Never use a metal brush.

Do not use dry cleaning detergent in the tub and do not wash, rinse, or spin laundry contaminated by dry cleaning detergent.

- This may result in spontaneous combustion or ignition due to heat from the oxidation of the oil.

Do not use hot water from water cooling/heating devices.

- This may result in problems with the washer.

Do not use natural hand-washing soap in the washer.

- If it hardens and accumulates inside the washer, it may cause problems with the product, discoloration, rust, or bad odors.

Do not wash large laundry items such as bedding in the washing net.

- Failing to do so may result in injury due to abnormal vibrations.
- Place smaller items, such as lace socks and lingerie in the washing net.

Do not use hardened detergent.

SAVE THESE INSTRUCTIONS

Safety information

- If it accumulates inside the washer, it may result in water leakage.

Do not wash throw rugs or doormats in the washer.

- If you wash throw rugs or doormats, the sand will accumulate inside the washer. It may result in error such as no draining.

Critical cleaning warnings

WARNING

Do not clean the appliance by spraying water directly onto it.

Do not use a strong acid cleaning agent.

Do not use benzene, paint thinner, or alcohol to clean the appliance.

- This may result in discoloration, deformation, damage, electric shock, or fire.

Before cleaning or performing maintenance, unplug the appliance from the wall socket.

- Failing to do so may result in electric shock or fire.

SAVE THESE INSTRUCTIONS

Installation

Follow these instructions carefully to ensure proper installation of your washer and to prevent accidents when using it.

⚠ WARNING

Certain internal parts are intentionally not grounded and may present a risk of electric shock only during servicing. Service personnel - Do not contact the following parts while the appliance is energized: Control board, heat sink, motor, inlet valve, heater and pump.

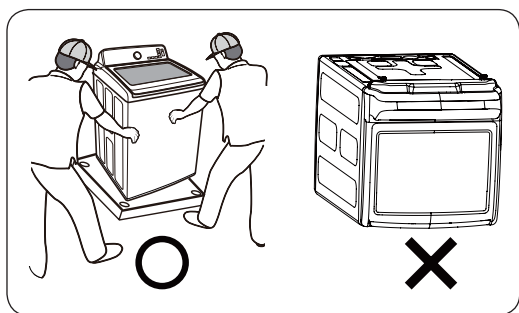
Unpacking your washer

Unpack your washer and inspect it for shipping damage. Make sure you have received all the items shown on the next page. If your washer was damaged during shipping, or you do not have all of the items, call 1-800-726-7864 (1-800-SAMSUNG).

To prevent personal injury or strain, wear protective gloves whenever lifting or carrying the unit.

⚠ WARNING

Packing materials can be dangerous to children; Keep all packing material (plastic bags, polystyrene, etc.) well out of children's reach.



⚠ CAUTION

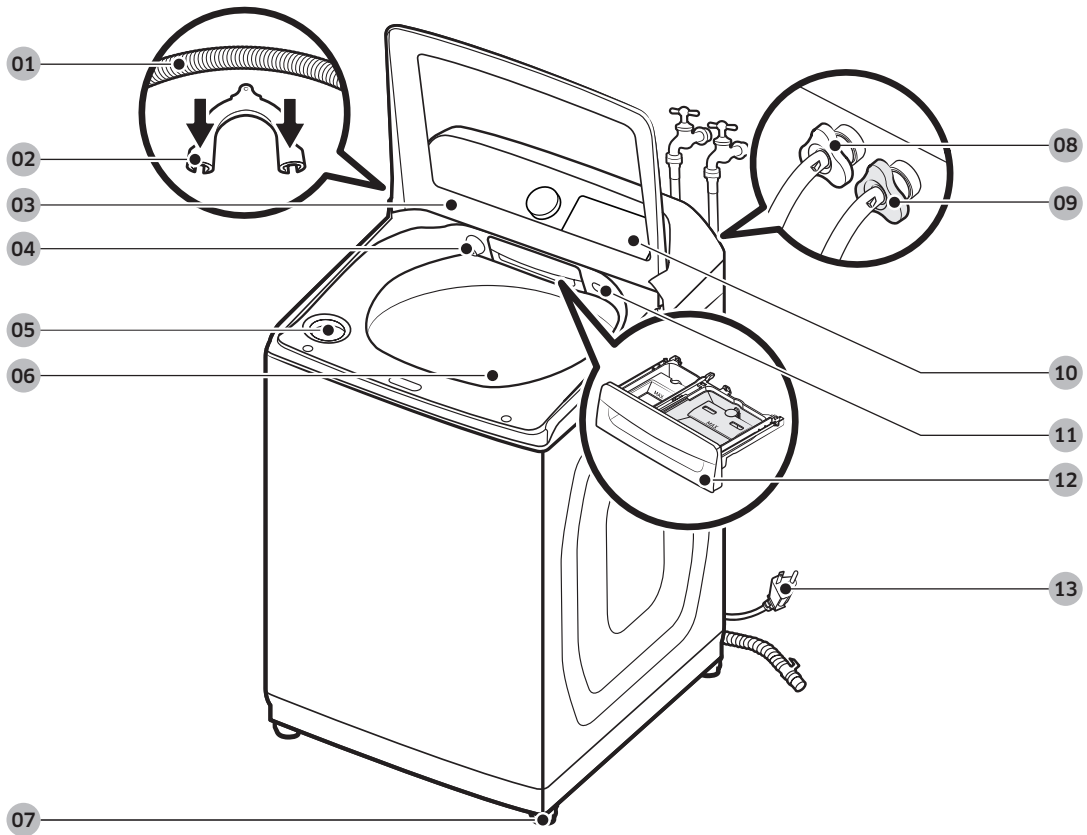
You must have at least 2 people unpack the washer. To remove the cushion bottom of the packing materials, do not tip the washer over on its front side.

When you lay the washer down to remove the carton base, protect the side of the washer and lay it down carefully. Never lay your washer on its back or front.

Installation

What's included

Make sure all the parts are included in the product package. If you have a problem with the washer or the parts, contact the Samsung customer care center at 1-800-SAMSUNG (1-800-726-7864) or your retailer.



01 Drain hose

02 Hose guide

03 Lid

04 Active Waterjet nozzle

05 Bleach compartment

06 Tub

07 Leveling feet

08 Water hose (Hot)

09 Water hose (Cold)

10 Control panel

11 Active Waterjet button

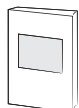
12 Detergent drawer

13 Power cord

Parts supplied



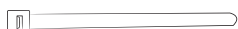
Hose guide



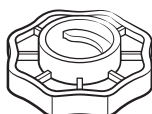
User manual



Water intake cap

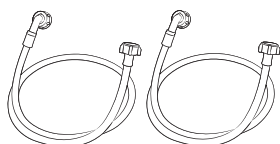


Cable tie



Leg ring

Parts not supplied



Water hoses

Tools needed for installation



Wrench



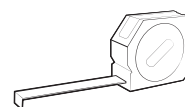
Phillips
screwdriver



Level



Adjustable
pliers



Measuring tape

NOTE

- If you lose an accessory and want to purchase a replacement, contact the Samsung customer care center at 1-800-SAMSUNG (1-800-726-7864).
- The design of the parts and accessories may differ from the pictures above. Their design is subject to change without notice for product improvement.

CAUTION

- Do not reuse old water hoses, which may leak or burst, causing flooding and/or property damage.
- Make sure rubber washers are inserted in each coupling of both water hoses.

Installation

Installation requirements

Electrical supply and grounding

- AC 120 V / 60 Hz / 15 AMP fuse or circuit breaker is required.
- Use an individual branch circuit. Connect only the washer to the circuit.

To ensure proper grounding, the washer comes with a power cord featuring a three-prong grounding plug for use in a properly installed and grounded outlet.

Check with a qualified electrician or service person if you are not sure about the grounding.

Do not modify the provided plug. If it does not fit the outlet, call a qualified electrician to install a proper outlet.

WARNING

- Do NOT use an extension cord.
- Use only the power cord that comes with the washer.
- Do NOT connect the ground wire to plastic plumbing, gas lines, or hot water pipes.
- Improperly connected grounding conductors may cause electric shock.
- To prevent unnecessary risk of fire, electrical shock, or personal injury, all wiring and grounding must be done in accordance with local codes, or in the absence of local codes, in accordance with the National Electrical Code, ANSI/NFPA No. 70-Latest Revision (for the U.S.) or the Canadian Electrical Code CSA C22.1 - Latest Revisions and local codes and ordinances. It is your responsibility to provide adequate electrical service for your washer.

Water supply

Proper water pressure for this washer is between 20-116 psi (137-800 kPa). Water pressure less than 20 psi (137 kPa) may cause the water valve not to close completely. or it may take longer to fill the drum, causing the washer to turn off. Water taps must be within 4 ft. (122 cm) from the rear of the washer so that the provided inlet hoses reach the washer.

To reduce the risk of leaks:

- Make sure water taps are easily accessible.
- Turn off the taps when the washer is not in use.
- Check for any leaks at the water inlet hose fittings on a regular basis.

CAUTION

Before using the washer for the first time, check all connections at the water valve and taps for any leaks.

Drain

Samsung recommends a standpipe 39 in. (990 mm) high. The drain hose must be connected through the hose clip to the standpipe, and the standpipe must fully cover the drain hose.

Flooring

For best performance, the washer must be installed on a solid floor. Wood floors may need to be reinforced to minimize vibration and/or unbalanced loads. Carpeting and soft tile surfaces do not provide good resistance to vibrations and may cause the washer to move slightly during the spin cycle.

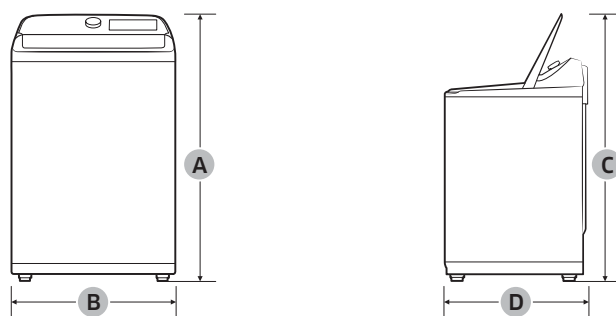
⚠ CAUTION

Do NOT install the washer on a platform or a poorly supported structure.

Water temperature

Do not install the washer in areas where water may freeze as the washer always retains some water in its water valves, pumps, and/or hoses. Frozen water can cause damage to belts, the pump, and other components of the washer.

Dimensions



A. Height	44.6 in. (1132 mm)
B. Width	27.5 in. (699 mm)
C. Height with lid open	58.3 in. (1480 mm)
D. Depth	29.4 in. (747 mm)

Installation

Clearance requirement

This clearance requirement is applicable for washers only.

NOTE

- For the dryer's clearance requirement, see the dryer's user manual.
- If the washer and dryer have different clearance requirements, use the one with the larger value.

Alcove or closet installations

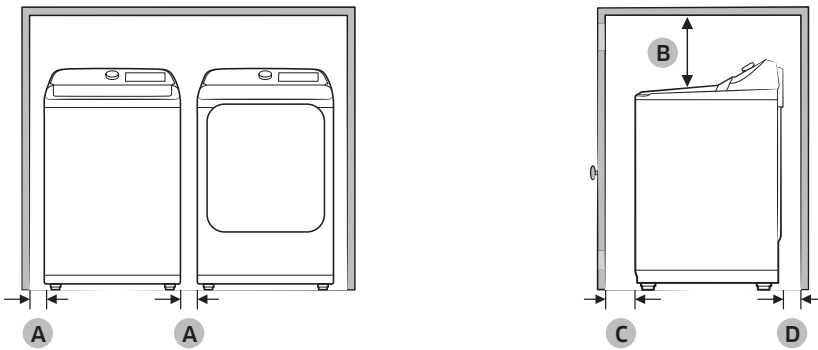
Minimum clearance for stable operation:

Sides	Top	Rear	Front
1 in. / 25 mm	21 in. / 533 mm	5.9 in. / 150 mm	1 in. / 25 mm

If both the washer and a dryer are installed in the same location, the front of the alcove or closet must have two unobstructed air openings for a combined minimum total area of 72 in.² (465 cm²).

This clearance requirement is applicable for washer and dryer pair installation.

Side by side installation



A	1 in. (25 mm)
B	21 in. (533 mm)
C	1 in. (25 mm)
D	5.9 in. (150 mm)

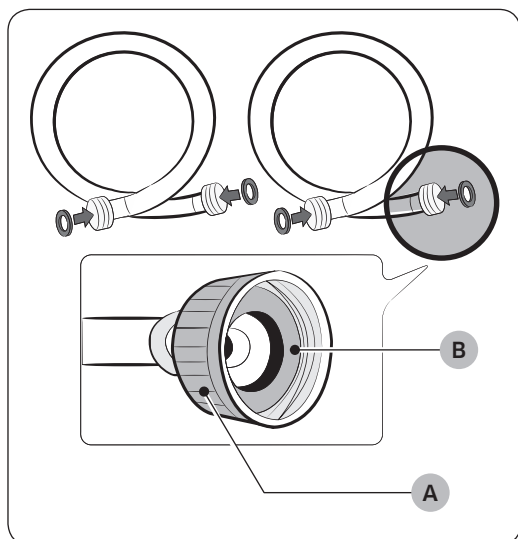
Step-by-step installation

STEP 1 Select a location

Location requirements:

- A solid, level surface without carpeting or flooring that may obstruct ventilation
- No direct sunlight
- Adequate room for ventilation and wiring
- Ambient temperature always higher than the freezing point (32 °F / 0 °C)
- Away from heat sources

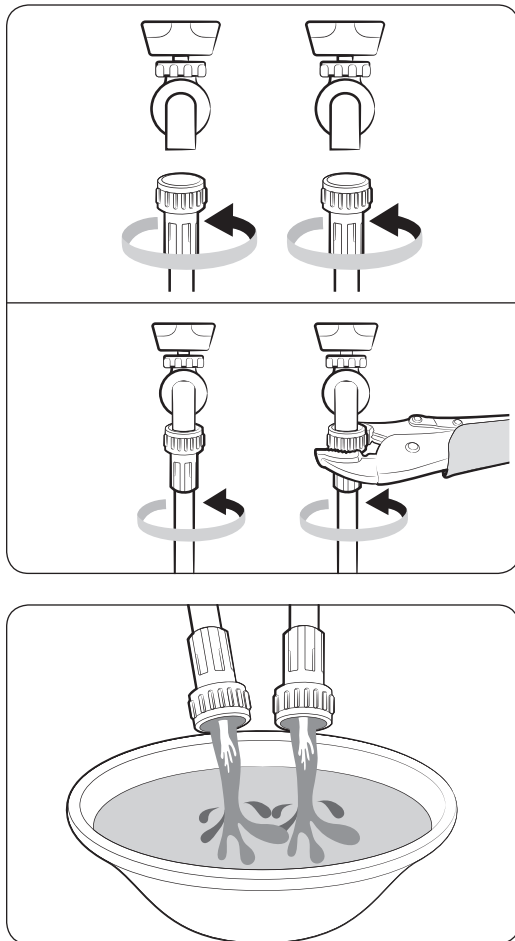
STEP 2 Connect the water hose



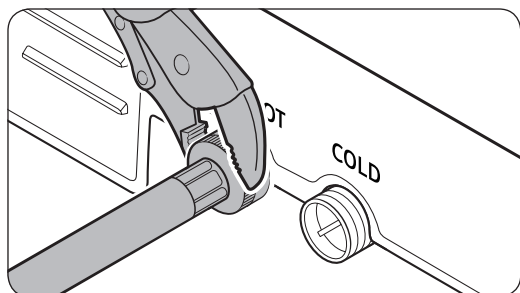
⚠ CAUTION

- Make sure to use new water hoses and that **rubber gaskets (B)** are inside the **couplings (A)** at both ends of the hoses. Water hoses without the gaskets may leak.
- Allow 6 in. (150 mm) of space between the back of the washer and the wall to prevent water hoses from being kinked. Kinked hoses may cause water leaks.
- If there is a water leak, stop using the washer and contact a local Samsung service center. A water leak may cause electric shock.
- Do not stretch the water hoses by force. If a hose is too short, replace the hose with a longer hose.

Installation



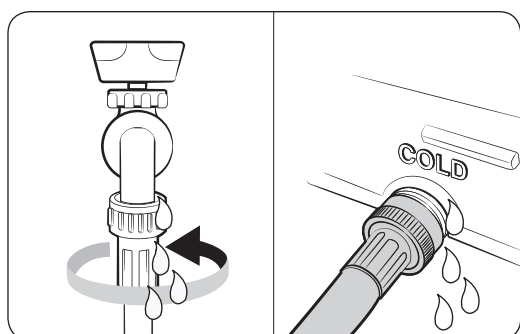
1. Attach the water hoses to the hot and cold water taps, and then hand tighten the water hose fittings until they are tight. Then, use pliers to tighten the fittings by an additional two-thirds of a turn. To avoid damaging the fittings, do not overtighten them.
2. Pull the water hoses to check if they are firmly connected.
3. Put the other ends of the hoses into a bucket, and then open the water taps for 10 - 15 seconds to remove impurities. When done, close the taps.



4. Attach the water hoses to the hot and cold water inlets on the back of the washer, and then hand tighten the water hose fittings until they are tight. Then, use pliers to tighten the fittings by an additional two-thirds of a turn.

 **NOTE**

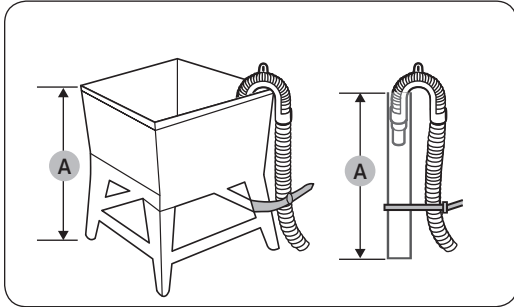
- If you are not going to use the hot water, block the hot water supply intake with the water intake cap. Otherwise, there is a risk of water leak.
- Make sure to set the water temperature to Cold after blocking the hot water supply intake. Otherwise, the amount of supplied water could be low, or the water could not supply at all.



5. Open the water taps, and check for leaks.

Installation

STEP 3 Connect the drain hose



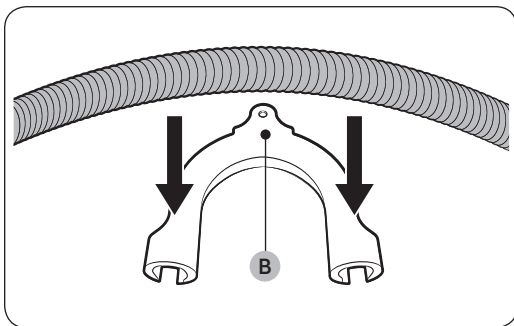
To a Laundry Tub or Drain Pipe

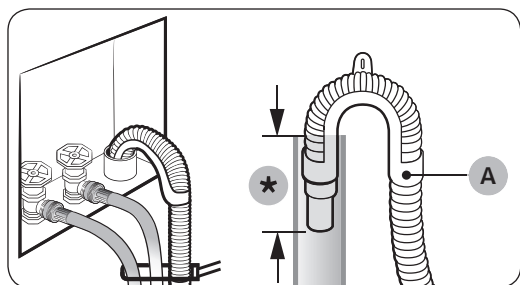
1. Check the **height (A)** of your drain system and make sure the minimum and maximum heights shown below are met.

Minimum	39 in. (99 cm)
Maximum	96 in. (245 cm)

NOTE

- Make sure to measure the height from the floor where the washer is placed.
 - Draining efficiency may be reduced if the drain system is at the maximum height.
 - To prevent the washer from siphoning water, do not use a drain system below the minimum height.
2. Attach the drain hose to the **plastic hose guide (B)**.





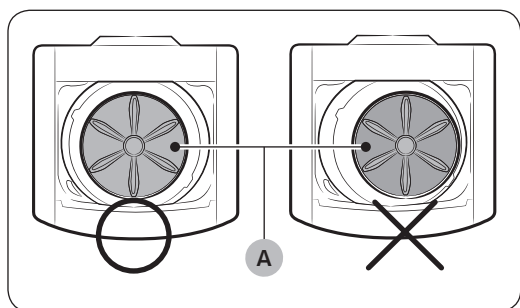
(*): Min. 6 in. (152 mm), Max. 8 in. (203 mm)

3. Route the drain hose to the drain system.

⚠ CAUTION

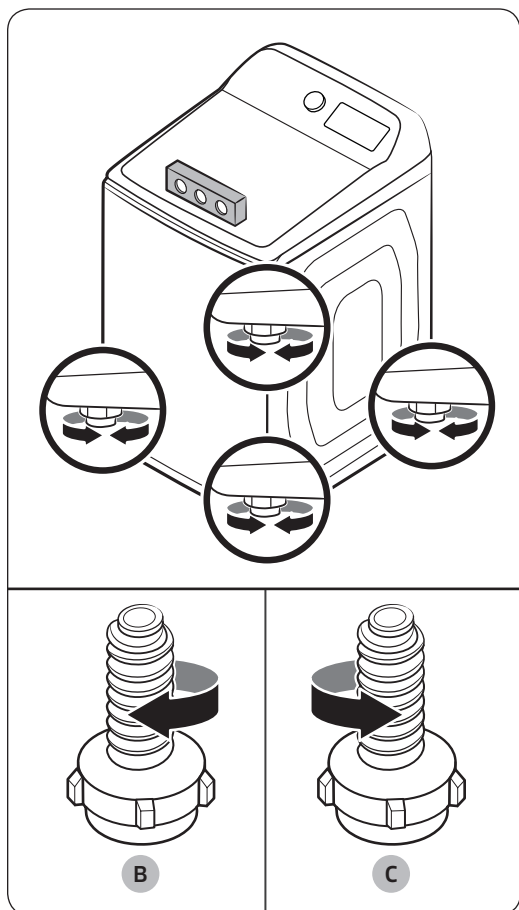
- If using a standpipe, make sure the standpipe and drain hose connection is not airtight.
 - If using a standpipe, make sure the drain hose is inserted at least 6 in. (152 mm) but no more than 8 in. (203 mm) into the standpipe.
4. Secure the drain hose with cable ties.

STEP 4 Level the washer



1. Slide the washer into position.
2. Open the lid of the washer, and then pour the water into the tub until the blades of the pulsator on the bottom of the washer are about half covered.
3. If the washer is level, the **pulsator (A)** will be positioned at the center of the tub as shown in the figure and the water will appear level in the tub. That is, the water will reach the same height on all sides of the tub.

Installation

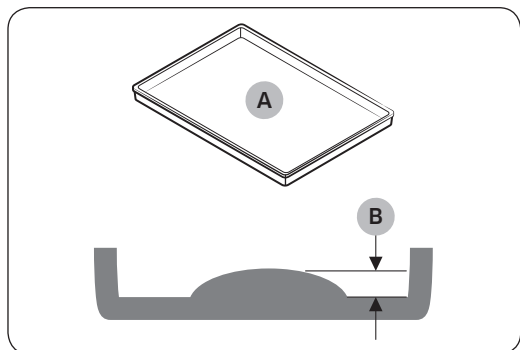


4. If the washer is not level, turn the appropriate leveling feet **clockwise (B)** to lower the washer, or **counterclockwise (C)** to raise the washer so that it is level.
5. Once you have the washer leveled, push down on all 4 corners to ensure that all 4 feet are touching the floor. If the washer rocks when you push down on a corner, adjust the leveling foot at that corner so the foot is firmly on the floor.

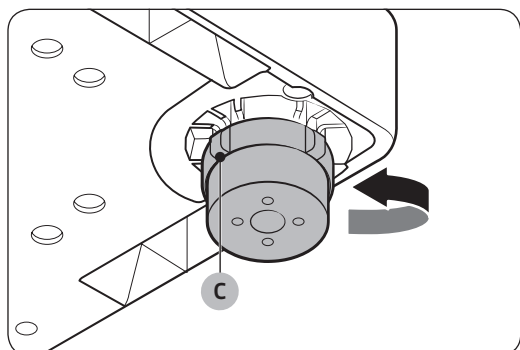
NOTE

- You can also level the washer by lining a level up with the seam that runs between the top of the washer and the body of the washer and checking if the washer is level on all 4 sides.
- See the diagram above, left. After you have checked all 4 sides and leveled the washer, perform Step 5 above.

Installing the leg ring to the leveling feet (applicable models only)

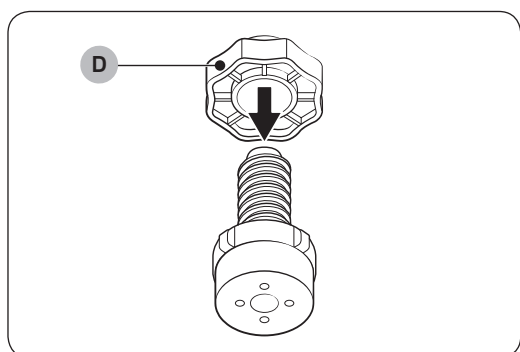


- A. Water drip pan
- B. Bulge height less than 5/8"



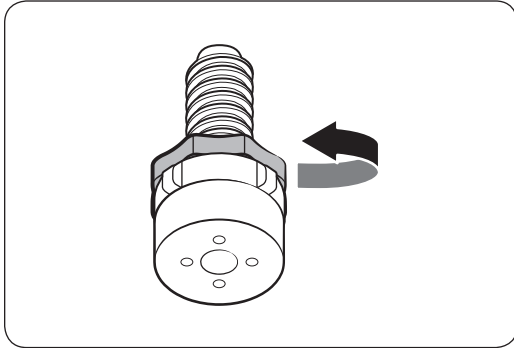
- When using a water drip pan, install the leg rings to the leveling feet to adjust the height of the washer.
- You can find the leg rings in the accessory bag provided with the product.

1. Slightly lift the washer, and then turn the **leveling feet (C)** counterclockwise to separate it from the washer.

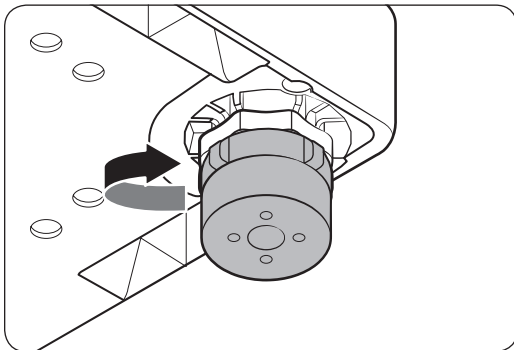


2. Place the **leg ring (D)** to the leveling feet.

Installation



3. Turn the leg ring counterclockwise to the bottom of the leveling feet.



4. Put the leveling feet back to the washer, and then turn it clockwise until it is fully retracted.

Installation

STEP 5 Power on

Plug the power cord into an AC 120 V / 60 Hz / 15 AMP approved electrical outlet protected by a 15-amp fuse or circuit breaker. Then, press **Power** to turn on the washer.

STEP 6 Run a test cycle

Run a test cycle as follows to check if your washer is properly installed.

1. Load about 6 lb. of laundry into the tub.
2. Press **Power** to turn on your washer.
3. Turn the **Cycle Selector** to **RINSE+SPIN**.
4. Press and hold **Start/Pause (Hold to Start)** to start the test cycle.
5. The washer should not rock or vibrate excessively when water is supplied or when washing and spinning, and should drain well during the spin cycle.

NOTE

- If water leaks while water is being supplied or drained, check the water connections. See “**Connect the water hose**” on page 19.
- If the washer rocks and vibrates excessively, level your washer again. See “**Level the washer**” on page 23.

Before you start

Initial settings

Run calibration (recommended)

Calibration ensures accurate weight detection by the washer. Make sure the tub is empty before running calibration.

1. Press **Power** to turn on the washer.
2. Press and hold **Temp.** and **Delay End** simultaneously for 3 seconds.
3. Press and hold **Start/Pause (Hold to Start)** to start calibration.
 - The tub rotates clockwise or counterclockwise for approximately 2 minutes.
4. When complete, "0" appears on the display, and the washer turns off automatically.

Laundry guidelines

STEP 1 Sort

Sort the laundry according to these criteria:

- Care label: sort the laundry into cottons, mixed fibers, synthetics, silks, wools, and rayon.
- Color: Separate whites from colors.
- Size: Mixing different sized items together in the tub improves washing performance.
- Sensitivity: Wash delicate items separately. For pure new woolen items, curtains, and silk items, check the labels on the items.

NOTE

Make sure to check the care label on all clothing, and sort clothing accordingly before starting the wash.

STEP 2 Empty pockets

Empty all the pockets of your laundry items

- Metal objects such as coins, pins, and buckles on clothing may damage other laundry items as well as the tub.

Turn clothing with buttons and embroideries inside out

- If pants or jacket zippers are open while washing, the tub may be damaged. Zippers should be closed and fixed with a string.
- Clothing with long strings may become entangled with other clothes. Make sure to tie the strings before starting the wash.

STEP 3 Use a laundry net

- Brassieres (water washable) must be placed in a laundry net. Metal parts of the brassieres may break through and tear other laundry items.
- Cashmilon, large volume items, and lightweight clothes (lace-decorated clothes, lingerie, nylon stockings, and synthetic fabrics) may float during washing and not wash properly. Use the laundry net or wash them separately.
- Do not wash the laundry net by itself without other laundry. This can cause abnormal vibrations that could cause the washer to move and result in injury.

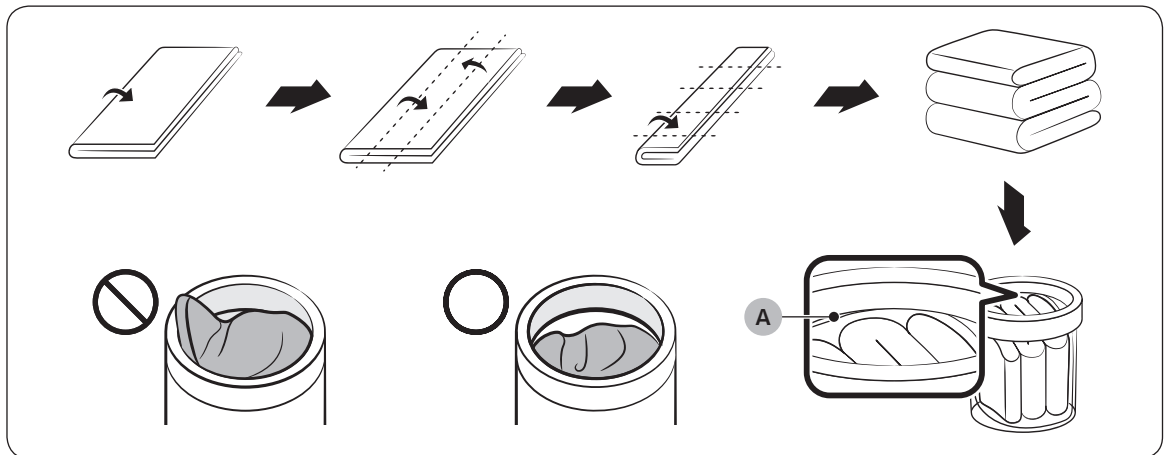
CAUTION

Make sure to soak inflatable items (such as blankets, and cotton-filled or microfiber quilts) in water before you run a cycle.

- Inflatable items may damage the laundry or the washer during the washing or spinning process.
- Regardless of the size, it is safer to wash blankets or quilts one item at a time. This will also get them cleaner. Two different-sized blankets in the same load can cause the load to become unbalanced, compromising the spinning process.

To put a blanket in your washer

Fold the blanket as shown, and then put it below the **plastic ring (A)** at the top of the tub.



Before you start

STEP 4 Prewash (if necessary)

- To remove stains and dirt on collars, sleeves, hems, and pockets, apply detergent lightly, let sit for a minute, and then brush off carefully.
- Use powder or liquid detergents. Do not use soap. Soap can remain on the tub after washing.
- To prewash white socks, sleeves, and collars apply a little detergent, and then brush carefully.

CAUTION

Make sure the laundry is inserted completely.

- Any exposed part of the laundry can cause damage to the washer or the laundry itself or cause a water leak.
- Make sure the laundry does not extend past the plastic ring at the top of the tub.

STEP 5 Determine the load capacity

Make sure the laundry does not extend past the plastic ring at the top of the tub. If it does, it can cause the washing machine to wash improperly or cause damage to the washer or the laundry itself or cause a water leak.

NOTE

When washing bedding or bedding covers, the wash time may be lengthened or the spin efficiency may be reduced.

For bedding or bedding covers, the recommended load capacity is 7.5 lb (3.5 kg) or less.

CAUTION

If the laundry is unbalanced and the “UB” information code is displayed, redistribute the load. Unbalanced laundry can reduce spinning performance.

STEP 6 Add the correct detergent type

The type of detergent you use - general purpose, specifically for woolens, etc. - depends on the type of fabric (cotton, synthetic, delicate items, wool), color, wash temperature, and degree of soiling. Regardless of the specific type of detergent you use, always use “low suds” HE laundry detergent which is designed for automatic washers.

NOTE

- Follow the detergent manufacturer’s recommendations based on the weight of the laundry, the degree of soiling, and the hardness of the water in your local area. If you are not sure about the water hardness, contact your local water authority.
- Do not use detergent that tends to harden or solidify. This detergent may remain in the washer after the rinse cycle, blocking the drain outlet.

Use HE detergent only



Your washer is designed to use high efficiency (HE) detergents.

- For the best cleaning results, use a high efficiency detergent such as Tide HE, Wisk HE, Cheer HE or Gain HE*. High efficiency detergents contain suds suppressors that reduce or eliminate suds. When fewer suds are produced, the load tumbles more efficiently and cleaning is maximized. (*Brand names are trademarks of their respective manufacturers.)

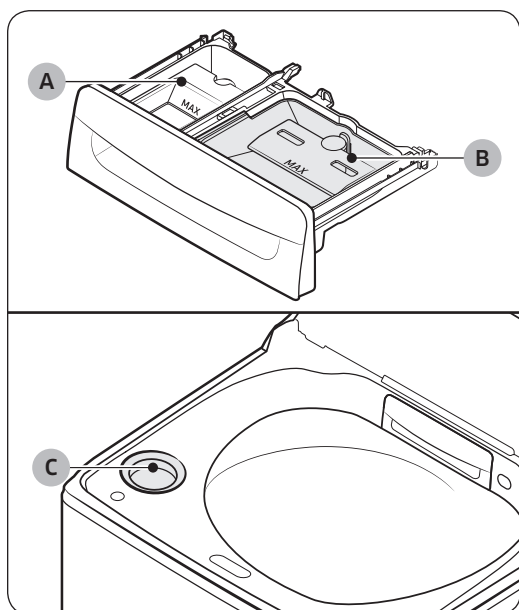
WARNING

For best results, use HE detergents only. Do not use non-HE detergent, organic detergent, natural detergent or HE detergents with natural ingredients (such as vinegar, baking soda).

Before you start

Detergent drawer guidelines

The washer provides a two-compartment dispenser for detergent and fabric softener. The bleach compartment is located on the left side of the tub.



- A. Softener compartment:** Add a recommended amount of fabric softener into the softener compartment.
- B. Detergent compartment:** Apply a recommended amount of liquid detergent into the compartment. To use a powdered detergent, remove the liquid detergent container. The washer does not dispense the powdered detergent from the liquid detergent container.
- C. Bleach compartment:** Add bleach as instructed by the manufacturer.

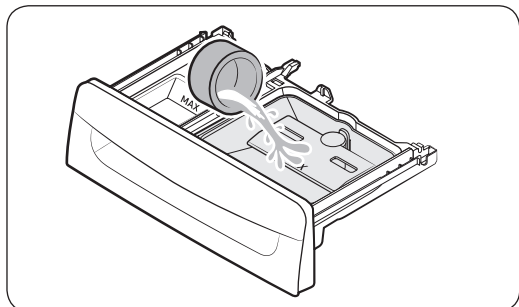
NOTE

- Do not pour color-safe bleach into the bleach compartment.
- Use the softener compartment only for liquid fabric softeners.

CAUTION

- Do not open the detergent drawer while the washer is operating.
- Do not put a tablet or capsule type detergents into the detergent drawer. Put them directly into the drum.
- Do not use a ball type detergent.
- To prevent the compartment from clogging, concentrated or highly-enriched agents (fabric softener or detergent) must be diluted with water before being added.

To add washing agents to the detergent drawer



1. Open the lid.
2. Slide open the detergent drawer.
3. Add liquid laundry detergent to the liquid detergent container in the main wash compartment.

⚠ CAUTION

- Make sure the liquid detergent container is inserted in the main wash compartment.

📖 NOTE

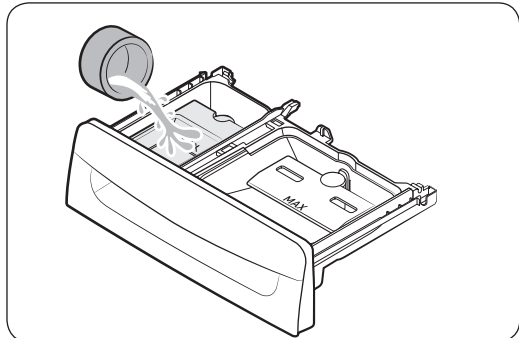
- Do not add powdered laundry detergent or other powdered laundry agents to the liquid laundry container.
- To use powdered detergents, see **To use powdered detergent** on page 34.

4. Add fabric softener to the softener compartment.

⚠ CAUTION

- Powdered fabric softener is not recommended. Use liquid fabric softener only.
- Concentrated fabric softener must be diluted with water before being added.
- Do not add detergent to the softener compartment.

5. Close the detergent drawer.

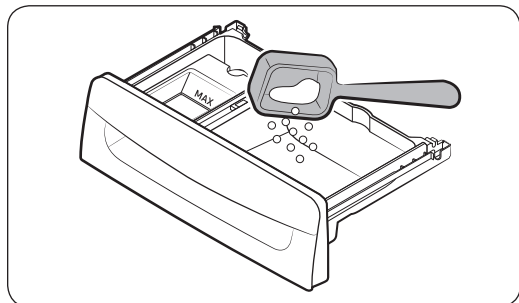


📖 NOTE

- Do not exceed the max line when adding cleaning agents.
- It is normal for a small amount of water to remain in the detergent compartment at the end of a cycle.
- When adding color-safe bleach, we recommend that you use liquid detergent.

Before you start

To use powdered detergent

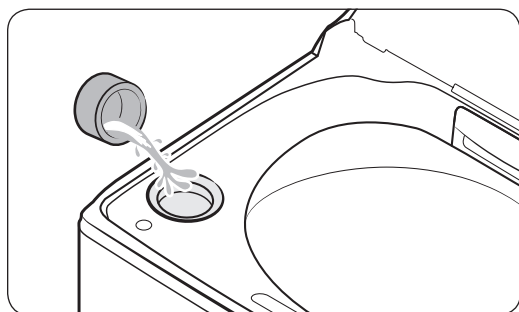


First, remove the provided liquid detergent container from the detergent compartment. Then, add powdered detergent to the detergent compartment according to the detergent manufacturer's instructions.

⚠ CAUTION

Do not add powdered detergent to the liquid detergent container.

To use the bleach compartment



Add only liquid chlorine bleach to the bleach compartment. Do not exceed the max line.

⚠ CAUTION

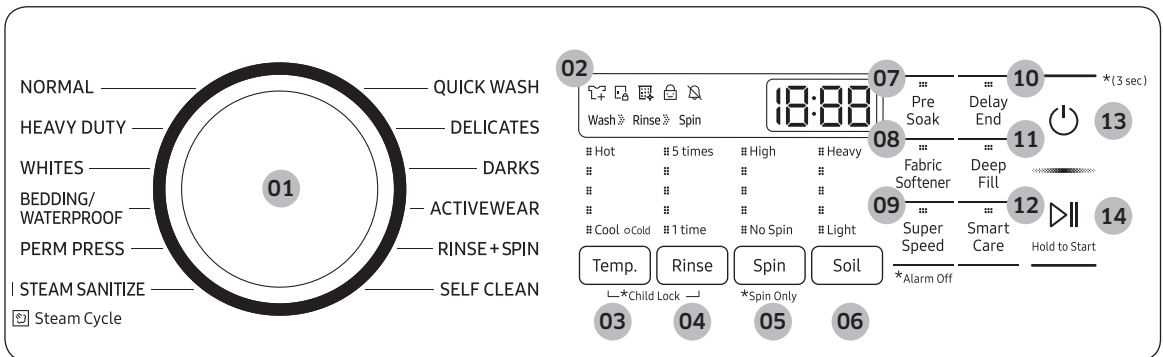
Do not add undiluted liquid chlorine bleach directly to the load or to the tub. This may cause fabric damage.

Operations

⚠ WARNING

To reduce the risk of fire, electric shock, or injury to persons, read the **Safety information** before operating this appliance.


Control panel








01 Cycle Selector	Turn the dial to select a cycle. (For more information about wash cycles, see page 41.)
02 Display	The display shows current cycle information and estimated time remaining, or an information code if the washer needs to be checked.
03 Temp.	Press to change the water temperature for the current cycle. <ul style="list-style-type: none"> • Hot (Level 5): Heavily soiled, colorfast items. • (Level 4): Whites and heavily soiled, colorfast items. • (Level 3): Colorfast items. • (Level 2): Brightly colored, very lightly soiled items. • Cool (Level 1): Brightly colored, very lightly soiled items. • Cold: Uses only cold water without utilizing the washer's the heater. No warm water is supplied.
04 Rinse	Press to change the rinse count for the current cycle.

Operations

<p>05 Spin</p>	<p>Press to change the spinning speed for the current cycle.</p> <ul style="list-style-type: none"> • High (Level 5): Extends the spinning process to effectively remove moisture from the load. This level uses a stronger spinning process to remove moisture, so it is not suitable for wrinkle-free or non-iron fabrics, or overloads. • (Level 4): Underwear, t-shirts, jeans, and sturdy cottons. • (Level 3): Jeans, wrinkle-free or wash-and wear items, and synthetics. • (Level 2): Delicate items that require a lower spinning speed. • No Spin (Level 1): The drum does not spin after the final drain process. <p>Rinse hold (All indicators are off): The final rinse process is suspended so that the laundry remains in the water. To unload the laundry, run a drain or spin cycle.</p> <p>Spin Only: To run the Spin Only cycle, press Spin for 3 seconds. When the cycle time and spinning speed appear, press Spin repeatedly until a desired spinning speed is selected. Then, press and hold Start/Pause (Hold to Start) to start the cycle. The spinning time depends on the selected cycle.</p>
<p>06 Soil</p>	<p>Press to change the soil level for the current cycle.</p> <ul style="list-style-type: none"> • Heavy (Level 5): For extremely soiled loads. • (Level 4): For heavily soiled loads. • (Level 3): For moderately soiled loads. This setting is best for most loads. • (Level 2): For lightly soiled loads. • Light (Level 1): For barely soiled loads.
<p>07 Pre Soak</p>	<p>Press to add 18 minutes of soaking time at the start of the wash cycle for better stain removal.</p>
<p>08 Fabric Softener</p>	<p>Press to add an additional rinse at the end of the cycle for more thorough removal of laundry additives and perfumes.</p>
<p>09 Super Speed</p>	<p>Press to shorten the washing time of the NORMAL, HEAVY DUTY or WHITES cycles. Shortened time may differ depending on the cycle, load, and options.</p>
<p>10 Delay End</p>	<p>Set the washer to finish your wash automatically at later time. Choose a delay of between 1 to 24 hours (in 1 hour increments). (For more information about Delay End, see page 44.)</p>

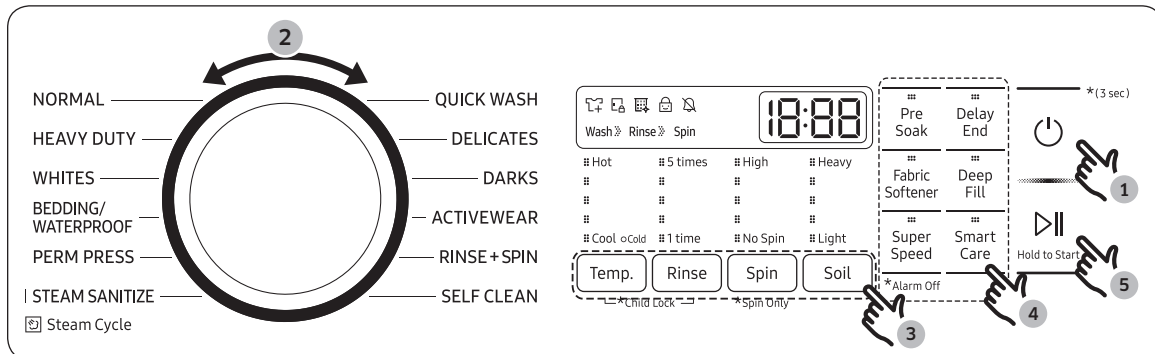
11 Deep Fill	Use this option where extra water is needed.  NOTE The cycle time will be extended when you use this function.
12 Smart Care	This function enables you to check the status of the washer using a smartphone.
13 Power	Press to turn the washer on or off.
14 Start/Pause (Hold to Start)	Press and hold to start operation or press to stop operation temporarily.

Icon description

	Garment+	<ul style="list-style-type: none"> This icon indicates you can add or take out items after a cycle has started. To add or take out items, press Start/Pause (Hold to Start) to pause the cycle, and then open the lid. To resume the cycle, close the lid, and then press and hold Start/Pause (Hold to Start).
	Lid Lock	<ul style="list-style-type: none"> This icon indicates the lid is locked and cannot be opened. The lid locks automatically during a cycle and this indicator turns on. You can open the lid when this icon disappears.
	SELF CLEAN reminder	<ul style="list-style-type: none"> This icon indicates that you should clean the drum using the SELF CLEAN cycle. After every 20 cycles, this icon appears for an hour and then turns off automatically. The icon will appear for 5 more cycles, turn off, and then will not appear for another 20 cycles.
	Child Lock	<ul style="list-style-type: none"> This icon indicates that Child Lock is on. For more information about Child Lock, see page 45.
	Alarm Off	<ul style="list-style-type: none"> This icon indicates that the alarm is off.

Operations

Simple steps to start



1. Press **Power** to turn on the washer.
2. Turn the **Cycle Selector** to select a cycle.
3. Change the cycle settings (**Temp.**, **Rinse**, **Spin**, and **Soil**) as necessary.
4. Select desired options as necessary.
5. Press and hold **Start/Pause (Hold to Start)**.



To change the cycle during operation

1. Press **Start/Pause (Hold to Start)** to stop operation.
2. Select a different cycle, and repeat steps 2-3 above if necessary.
3. Press and hold **Start/Pause (Hold to Start)** again to start the new cycle.

Cycle overview

NOTE

The washer detects the weight of the items and automatically adjusts the optimal water level, washing time, rinse counts, and spin counts. (This may not be applicable on some cycles.)

Cycle	Description
NORMAL	<ul style="list-style-type: none"> For cottons, bed linens, table linens, underwear, towels, or shirts. The washing time and the number of rinses are automatically adjusted according to the load.
HEAVY DUTY	<ul style="list-style-type: none"> For sturdy, colorfast fabrics, heavily soiled items.
WHITES	<ul style="list-style-type: none"> For white items. You can wash with or without bleach.
BEDDING/ WATERPROOF	<ul style="list-style-type: none"> For bulky and large items, such as comforters, blankets, and sheets, and waterproof or water resistant items. When washing comforters, use liquid detergent. <p> CAUTION</p> <ul style="list-style-type: none"> Do not wash waterproof items and non-waterproof items together. Check the specification label on each item to see if the item is waterproof. Use the BEDDING/WATERPROOF cycle for waterproof or water-resistant items such as plastic mats, ski pants, raincoats, and comforters which hardly absorb water.
PERM PRESS	<ul style="list-style-type: none"> For wash-and-wear, synthetic fabrics, and lightly to normally soiled items.
STEAM SANITIZE	<ul style="list-style-type: none"> For heavily soiled, colorfast garments. (less than 14 lb.) <p> NOTE</p> <p>If you pause the operation while the washer is heating up for the cycle, the door will remain locked for your safety.</p>
QUICK WASH	<ul style="list-style-type: none"> For lightly soiled garments needed quickly. For best performance, recommended load is 4 lb. or lower.
DELICATES	<ul style="list-style-type: none"> For sheer fabrics, bras, lingerie (silk), and other handwash-only fabrics. For best performance, use liquid detergents.
DARKS	<ul style="list-style-type: none"> For casual items with bright or dark colors.

Operations

Cycle	Description
ACTIVEWEAR	<ul style="list-style-type: none">• For exercise wear such as sports jerseys, training pants, shirts/tops and other performance clothing. This cycle provides effective soil removal with gentle action for special fabric care.
RINSE+SPIN	<ul style="list-style-type: none">• For loads that need rinsing and spinning only.• You can also select this cycle for additional rinsing and spinning after running other cycles.
SELF CLEAN	<ul style="list-style-type: none">• Cleans the drum by removing dirt and bacteria from the drum.• Perform once every 20 washes.• Make sure the drum is empty.

Cycle chart

Use this chart to set the best cycle and options for you laundry.

NOTE

Setting	Temp.	Rinse	Spin	Soil
● : factory setting	5: Hot (Level 5)	5: 5 times (Level 5)	5: High (Level 5)	5: Heavy (Level 5)
○ : can be selected	4: (Level 4)	4: (Level 4)	4: (Level 4)	4: (Level 4)
	3: (Level 3)	3: (Level 3)	3: (Level 3)	3: (Level 3)
	2: (Level 2)	2: (Level 2)	2: (Level 2)	2: (Level 2)
	1: Cool (Level 1)	1: 1 time (Level 1)	1: No Spin (Level 1)	1: Light (Level 1)

WA54R7600	Temp.					Rinse					
	5	4	3	2	1	5	4	3	2	1	
NORMAL	○	○	●	○	○	○	○	○	○	○	●
HEAVY DUTY	-	●	○	○	○	○	○	○	○	○	●
WHITES	-	●	○	○	○	○	○	○	○	●	○
DELICATES	-	-	○	○	●	○	○	○	○	○	●
PERM PRESS	-	○	●	○	○	○	○	○	○	○	●
STEAM SANITIZE	●	-	-	-	-	○	○	○	○	○	●
BEDDING/WATERPROOF	-	○	●	○	○	○	○	○	○	●	○
SELF CLEAN	-	●	-	-	-	-	-	-	-	●	-
RINSE+SPIN	-	-	-	-	-	○	○	○	○	○	●
ACTIVEWEAR	-	-	○	●	○	○	○	○	○	○	●
QUICK WASH	-	○	●	○	○	○	○	○	○	○	●
DARKS	-	-	○	○	●	○	○	○	○	○	●

Operations

WA54R7600	Spin					Soil				
	5	4	3	2	1	5	4	3	2	1
NORMAL	○	●	○	-	○	○	○	●	○	○
HEAVY DUTY	○	●	○	○	○	●	○	○	○	○
WHITES	○	●	○	○	○	●	○	○	○	○
DELICATES	-	-	○	●	○	-	-	-	-	●
PERM PRESS	○	●	○	○	○	○	○	●	○	○
STEAM SANITIZE	○	●	○	○	○	●	-	-	-	-
BEDDING/WATERPROOF	-	○	●	○	○	○	○	●	○	○
SELF CLEAN	-	-	●	-	-	-	-	-	-	-
RINSE+SPIN	○	●	○	○	○	-	-	-	-	-
ACTIVEWEAR	-	○	●	○	○	-	-	○	●	○
QUICK WASH	○	●	○	○	○	○	○	○	○	●
DARKS	○	●	○	○	○	○	○	●	○	○

WA54R7600	Options			
	Pre Soak	Fabric Softener	Deep Fill	Super Speed
NORMAL	○	○	-	○
HEAVY DUTY	○	○	○	○
WHITES	○	○	○	○
DELICATES	-	○	○	-
PERM PRESS	○	○	○	-
STEAM SANITIZE	○	○	-	-
BEDDING/WATERPROOF	○	○	-	-
SELF CLEAN	-	-	-	-
RINSE+SPIN	-	○	○	-
ACTIVEWEAR	○	○	○	-
QUICK WASH	-	○	○	-
DARKS	-	○	○	-

Special features

Active Waterjet (for prewash)



You can use the Active Waterjet function to hand-wash your items before you put them in the washer.

1. Press **Power** to turn on your washer.
2. Open the lid.
3. Press **Active Waterjet** to supply water.
4. Hand-wash the items.
5. When done, press **Active Waterjet** again to stop the water.

NOTE

If you want to hand-wash while the washer is operating, press **Start/Pause (Hold to Start)** to stop operation, and then follow steps 1-4 above.

NOTE

- The Active Waterjet function stops operating automatically when the washer detects the maximum water level.
- The Active Waterjet function stops operating automatically 5 minutes after it begins. To add more water, press **Active Waterjet** again to resupply water.
- If the Active Waterjet function is activated immediately after the washer turns on, the washer will spray water for 1 second before supplying water through the Active Waterjet outlet.
- To drain water added by the Active Waterjet function, turn the power off. Water will be drained automatically for few minutes, and then you can turn the power on again when the water is completely drained.

CAUTION

- Do not block the Active Waterjet outlet with hands. Water may leak outside the tub, causing a system failure.
- Do not use the Active Waterjet to wash shoes, food, or pets.
- Due to differences in air pressure, water coming from the Active Waterjet may splatter when you first activate it.

Operations

- Make sure the lid is closed tightly before you start a load of laundry.

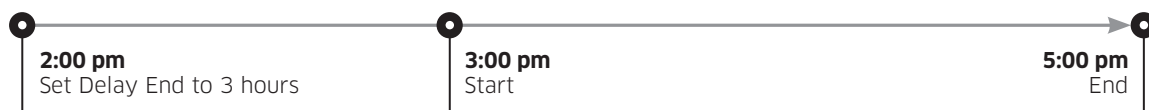
Delay End

You can set the washer to finish your wash automatically at a later time by choosing a delay of between 1 to 24 hours (in 1 hour increments). The hour displayed indicates the time the wash will finish.

1. Select a cycle. Then, change the cycle settings if necessary.
2. Press **Delay End** repeatedly until a desired end time is set.
3. Press and hold **Start/Pause (Hold to Start)**.
4. To cancel Delay End, restart the washer by pressing **Power**.

Real-life case

You want to finish a two-hour cycle 3 hours from now. To do this, you add the Delay End option to the current cycle with a 3-hour setting, and then press and hold **Start/Pause (Hold to Start)** at 2:00 pm. The washer starts operating at 3:00 pm and ends at 5:00 pm. Provided below is the time line for this example.



Alarm Off

You can turn the alarm sound on or off. When the alarm is off, the cycle completion melody and the power-off beep will not sound. However, button and alert sounds will remain on.

- To mute the alarm sound, press and hold **Super Speed** for 3 seconds.
- To unmute the alarm sound, press and hold again for 3 seconds.
- Your setting will be kept even after you turn off and then restart the machine.

ATC (Auto Temperature Control)

ATC enables the washer to control water temperatures in each washing cycle using the internal thermistor. It is designed to maintain certain washing temperatures for best results.

NOTE

- If you select **NORMAL** or **HEAVY DUTY**, you may notice the washer supplying cold water. This is normal because the machine is designed to reduce power consumption. In these cycles, the water temperature for Level 5 is similar to bath-water temperatures, and Level 3 is similar to comfortable swimming pool temperatures.
- To wash clothes at a specific temperature, you must choose a different cycle first.

Child Lock

The Child Lock function locks the washer door to prevent children from climbing into and suffocating inside the tub.

Activating the Child Lock function

Press and hold **Temp.** and **Rinse** simultaneously for approximately 3 seconds.

- When you activate the Child Lock function, the  **Child Lock** indicator blinks.

Using the Child Lock function


If the lid is opened when the Child Lock function is on, “**dC**” is displayed and an alarm sounds.

- If the water level in the tub is above the safe water level, “**dC**” is displayed on the LED display and the washer starts to drain water by force after 30 seconds.
- If the water level in the tub is above the safe water level and the Child Lock function is turned on while the lid is open, “**CL**” is displayed on the LED display, even if the washer is turned off, and the washer drains water by force.
- When Child Lock is on and the washer is off, if the water in the tub is above the safe water level and the lid is opened, “**CL**” is displayed on the LED display. No alarm sounds, but the washer drains the water. When the draining operation finishes, the power automatically turns off again.
- If you activate the Child Lock function while the washer is running, the **Start/Pause (Hold to Start)** button will not work.
- After the compulsory drain, “**CL**” blinks at 1 second intervals and the washer enters the “**CL**” mode. (When the washer is in the “**CL**” mode, only the **Power** button works.)
- To cancel the “**CL**” mode, turn the power off and then on again.
- To cancel the “**dC**” mode, deactivate the Child Lock function. To deactivate the Child Lock function, press and hold **Temp.** and **Rinse** simultaneously for at least 3 seconds.

Operations

Deactivating the Child Lock function

Press and hold both **Temp.** and **Rinse** simultaneously for approximately 3 seconds.

- When you deactivate the Child Lock function, the  **Child Lock** indicator is turned off.
- The Child Lock function prevents children or the infirm from accidentally operating the washer and injuring themselves.

WARNING

If a child enters the washer, the child may become trapped and suffocate.

CAUTION

- Once you have activated the Child Lock function, it continues working even if the power is turned off.
- Forcing the lid open can result in injury or damage to the product.

NOTE

To add laundry after you have activated the Child Lock function, you must first deactivate the Child Lock function.

Smart Care

To enable this function, you must first download the Samsung Laundry app from the Play Store or the App Store and install it on a mobile device that has a camera function. The Smart Care function has been optimized for Galaxy and iPhone mobile devices (applicable models only).

1. When the washer detects an issue to check, an information code appears on the display. To enter Smart Care mode, press **Smart Care**.
2. The washer starts the self-diagnosis procedure and displays an information code if a problem is detected.
3. Run the Samsung Laundry app on your mobile device, and then tap **Smart Care**.
4. Put the mobile device close to the washer's display so that the smartphone camera and the washer face each other. The information code will be recognized automatically by the app.
5. When the information code is recognized correctly, the app provides detailed information about the problem with applicable solutions.

NOTE

- The function name, Smart Care, may differ depending on the language.
- If the washer's display reflects light, the app may fail to recognize the information code.
- If the app fails to recognize the information code, you can enter the code manually on the app.

Maintenance

Keep the washer clean for best performance and to lengthen its life cycle.

WARNING

Certain internal parts are intentionally not grounded and may present a risk of electric shock only during servicing. Service personnel – Do not contact the following parts while the appliance is energized: Control board, heat sink, motor, inlet valve, heater, and pump.

Self Clean

Certain usage and environmental conditions may result in some residue build-up or odor in the washer tub. To prevent this build-up of residue or odor causing bacteria and keep your washer tub fresh and clean, perform the SELF CLEAN cycle at least once a month or every 20 cycles. Perform the recommended procedure below when using the SELF CLEAN cycle.

1. Remove all items from the washer tub and ensure the tub is empty. Laundry left in the tub during the SELF CLEAN cycle may be damaged.
2. Press **Power** to turn on the washer.
3. Turn the **Cycle Selector** to **SELF CLEAN**.
4. Press and hold **Start/Pause (Hold to Start)**.

NOTE

- The water temperature for SELF CLEAN is defaulted to Hot. This temperature cannot be changed.
- In the case where residue is present in the washer tub, add 1 cup (8 fl.oz, 240ml) of liquid chlorine bleach to the bleach compartment before you start the SELF CLEAN cycle.
- Do not use or mix any other detergent or chemicals during the SELF CLEAN cycle. If necessary, run a RINSE+SPIN cycle after the SELF CLEAN cycle has completed to help remove any remaining residue.

CAUTION

- Check the washer tub before using the SELF CLEAN cycle. Remove any remaining water in the tub by running a SPIN ONLY cycle prior to starting the SELF CLEAN cycle.
- If there is chlorine bleach left in the washer tub for an extended period of time, rust can occur.

SELF CLEAN reminder

- After 20 washing cycles, the SELF CLEAN LED reminder icon and the SELF CLEAN cycle LED will blink on the control panel for an hour and then turn off automatically.
- The reminder will appear on the control panel for 5 additional consecutive cycles before turning off. The next reminder will not appear until another 20 cycles have been completed.

Maintenance

Cleaning the exterior

1. Turn off the water taps after finishing the day's washing. This will shut off the water supply to your washer and prevent the unlikely possibility of damage from escaping water. Leave the lid open to allow the inside of your washer to dry out.
2. Use a soft cloth to wipe up all detergent, bleach, or other spills as they occur. Clean the following as recommended below:
 - Control Panel – Clean with a soft, damp cloth. Do not use abrasive powders or cleaning pads. Do not spray cleaners directly on the panel.
 - Cabinet – Clean with soap and water.

Cleaning the interior

Clean the interior of your washer periodically to remove any dirt, soil, odor, mold, mildew, or bacterial residue that may remain in your washer as a result of washing clothes.

CAUTION

Failure to follow these instructions may result in unpleasant conditions, including odors and/or permanent stains on your washer or laundry.

NOTE

Hard water deposits may be removed, if needed. Use a cleaner labeled “Washer safe”.

Care for an extended period of non-use

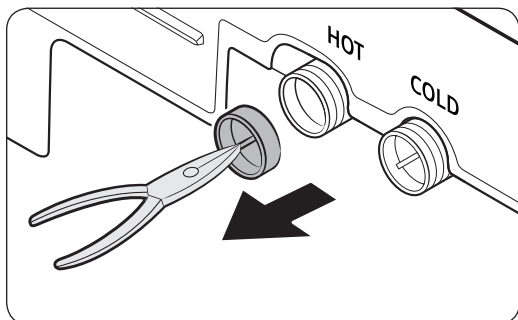
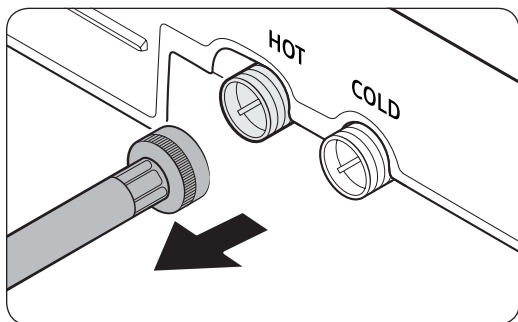
Avoid leaving the washer unused for an extended time. However, if you intend to leave the washer unused for a long period of time, follow the directions below:

1. Press **Power**, and then turn the **Cycle Selector** to **QUICK WASH**.
2. Empty the drum, and then press and hold **Start/Pause (Hold to Start)**.
3. When the cycle is complete, close the water taps and disconnect the water hoses.
4. Turn off the washer, and then unplug the power cord.
5. Open the door to let air circulate through the drum.

Maintenance

Cleaning the mesh filter

Clean the mesh filters in the water inlets once or twice a year.

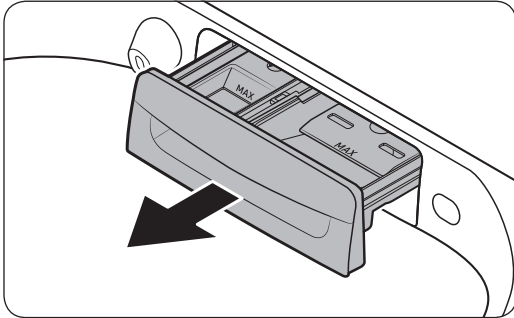


1. Turn off the washer, and then unplug the power cord.
2. Close the water taps.
3. Loosen and disconnect the water hoses from the back of the washer. Cover the each hose with a cloth or towel to prevent water from gushing out.
4. Use pliers to pull out the mesh filter from the inlet valves.
5. Thoroughly clean the mesh filters in water.
6. Completely dry the mesh filters. Do not dry in direct sunlight.
7. Reinsert the mesh filters, and then reconnect the water hoses.
8. Open the water taps.

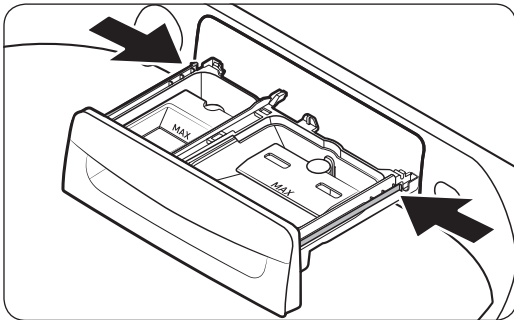
NOTE

If a mesh filter is clogged, the “4C” information code appears on the washer’s display screen.

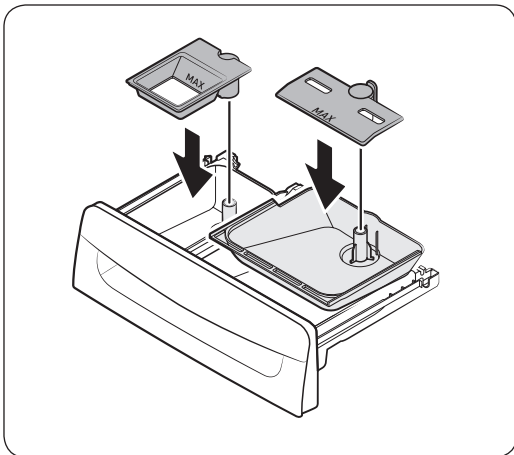
Cleaning the detergent drawer



1. Fully pull out the detergent drawer.

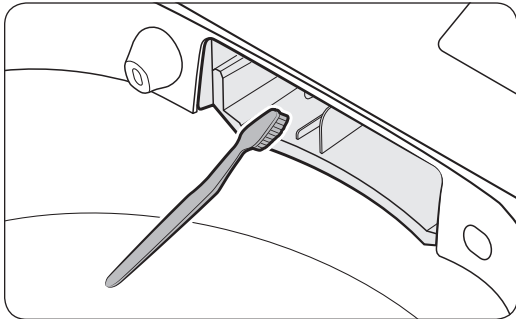


2. To remove, pull the detergent drawer while pushing the ends of each side in.

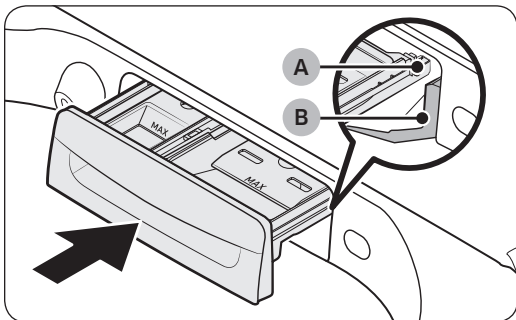


3. Remove the inserts from the compartments. Rinse the inserts and the drawer in warm water and clean with a soft brush.

Maintenance



4. Clean the drawer opening thoroughly with a small, non-metallic brush.



5. Return the inserts to the proper compartments. Replace the drawer by placing the **drawer rail (A)** on the **compartment rail (B)** while tilting the drawer downward.
6. Fully push the drawer back to close.

Troubleshooting

Checkpoints

If you encounter a problem with the washer, first check the table below and try the suggestions.

Problem	Action
Does not turn on.	<ul style="list-style-type: none">• Make sure your home electrical system is providing electrical power that matches the requirements of the washer. See page 16.• Make sure the power cord is completely plugged in.• Check the fuse or reset the circuit breaker.• If you have turned the power off to drain the water added by the Active Waterjet function, power does not turn on until the water is completely drained.
Does not start.	<ul style="list-style-type: none">• Make sure the door is closed.• Make sure the water taps are open.• Make sure to press or tap Start/Pause (Hold to Start) to start the washing machine.• Make sure Child Lock is not activated.• Before the washing machine starts to fill, it will make a series of clicking noises to check the door lock, and then does a quick drain.• Was the door opened during the spinning cycle? Close the door, and then press or tap Start/Pause (Hold to Start) to resume.• The machine has entered Standby, has paused, or is in a soaking cycle. Please wait.• Check the fuse or reset the circuit breaker.

Troubleshooting

Problem	Action
Water is not supplied.	<ul style="list-style-type: none"> • Make sure you press or tap Start/Pause (Hold to Start) after selecting the cycle and options. • Make sure the water taps are open. • Are the mesh filters in the water inlets clogged? Clean the mesh filters by brushing with a toothbrush. See page 50. • Is the water supply cut off? If the water supply is cut off, close the tap and power off. • Straighten the water supply hoses. • Open and close the door, and then press or tap Start/Pause (Hold to Start). • If the water pressure is low, it takes longer to start washing. • If the water level is not as high as necessary or lower than expected, use the level selector to adjust the water level.
After a cycle, detergent remains in the automatic dispenser.	<ul style="list-style-type: none"> • Make sure the washing machine is running with sufficient water pressure. • Make sure the detergent drawer is properly inserted. • Remove and clean the detergent drawer, and then try again.
Vibrates excessively or makes noise.	<ul style="list-style-type: none"> • Make sure the washing machine is on a level floor. If the floor is not level, use the levelling feet to adjust the washing machine. • Make sure the washing machine is not contacting any other object. • Make sure the laundry load is balanced. • Make sure the laundry is spread evenly in the washing machine. Spread out the laundry evenly and start again. • Make sure the space around the washing machine is free of objects. • Humming is produced normally during operation. • Objects such as coins can cause noise. Remove these objects from the washing machine after washing is complete.

Problem	Action
Stops.	<ul style="list-style-type: none"> • Make sure the washer's power cord is fully plugged in and the circuit is live. • Check the fuse or reset the circuit breaker. • Close the door, and then press or tap Start/Pause (Hold to Start) to start the washing machine. For your safety, the washing machine will not spin unless the door is closed. • Before the washing machine starts to fill, it will make a series of clicking noises to check the door lock, and then does a quick drain. • There may be a pause or soak period in the cycle. Wait briefly and the washing machine may start. • Make sure the inlet hose filters at the taps are not clogged. Periodically clean the filters. See page 50. • This problem can occur temporarily due to low voltage in your household electrical system. It will be resolved when the voltage returns to normal.
Fills with the wrong temperature water.	<ul style="list-style-type: none"> • Fully open both water taps. • Make sure the temperature selection is correct. • Make sure the hoses are connected to the correct water taps. Flush the water lines. • Disconnect the hoses and clean the mesh filters. The water inlet mesh filters may be clogged. See page 50. • While the washing machine fills, the water temperature may change as the automatic temperature control feature checks incoming water temperature. This is normal. • While the washing machine fills, you may notice just hot and/or just cold water going through the dispenser when cold or warm temperatures are selected. This is a normal function of the automatic temperature control feature as the washing machine determines the water temperature.
Door (Lid) locked or will not open.	<ul style="list-style-type: none"> • While the washing machine is operating, press or tap Start/Pause (Hold to Start) to stop the washing machine. • It may take a few moments for the door lock mechanism to disengage.

Troubleshooting

Problem	Action
Does not drain and/or spin.	<ul style="list-style-type: none"> • Check the fuse or reset the circuit breaker. • Make sure the electrical voltage is normal. • Make sure the washing machine is plugged in. • Make sure the drain hose is pointed downward. (Natural drain models only) • Make sure the drain hose is not clogged. • Make sure the drain hose is not kinked. • Straighten the drain hose. If there is a drain restriction, call for service. • Close the door, and then press or tap Start/Pause (Hold to Start). For your safety, the washing machine will not spin unless the door is closed.
Load is wet at the end of the cycle.	<ul style="list-style-type: none"> • Use the High or Extra High spin speed cycle. (Applicable model only) • Use high efficiency (HE) detergent to reduce oversudsing. • The load is too small. Small loads (one or two items) may become unbalanced and not spin completely.
Leaks water.	<ul style="list-style-type: none"> • Make sure all hose connections are tight. • Make sure the water supply hoses' rubber washers are in the correct position. Screw the hoses on tightly again. See pages 19 through 22. • Make sure the end of the drain hose is correctly inserted and secured to the drain system. • Avoid overloading. • Use high efficiency (HE) detergent to prevent oversudsing. • Make sure the water supply hose is not kinked. • If the water supply pressure is too strong, water may leak. Close the water tap a little. • Make sure water is not leaking from the water tap. If it is, repair the water tap.
Excessive suds.	<ul style="list-style-type: none"> • Use high efficiency (HE) detergent to prevent oversudsing. • Reduce the detergent amount for soft water, small loads, or lightly soiled loads. • Don't use Non-HE detergent.



Problem	Action
<p>The spin basket or drain/supply hose is frozen.</p>	<ul style="list-style-type: none"> • Use warm water to help loosen the water supply hoses and drain hose, and then disconnect them. Soak them in warm water. • Fill the spin basket with warm water, and then wait for about 10 minutes. • Put a hot towel on the drain hose connector. • Reconnect the water supply hoses and drain hose, and then check if water is supplied properly.
<p>Water drains out immediately.</p>	<ul style="list-style-type: none"> • Make sure the drain hose is not clogged, and is hung over the drain hose hook. Fill the spin basket halfway with water, and try spinning again. • Lift the end of the drain hose to prevent water from draining. Fill the spin basket halfway with water, and then run the Spin cycle after releasing the drain hose. • Make sure the drain hose is installed correctly. See pages 22 and 23. Adjust the position of the drain hose as instructed.
<p>Stains on clothes.</p>	<ul style="list-style-type: none"> • Select an appropriate cycle for the laundry. Use the HEAVY DUTY cycle for stained clothes. • Apply a recommended amount of detergent as instructed by the detergent manufacturer. • Clean the magic filter (if it comes with your washer) on a regular basis.
<p>Has odors.</p>	<ul style="list-style-type: none"> • Excessive suds collect in recesses and can cause foul odors. • Run a SELF CLEAN cycle to sanitize periodically. • Dry the washing machine interior after a cycle has finished.

If a problem persists, contact a local Samsung service center.

Troubleshooting


Information codes

The washer may display information codes to help you understand what is occurring with your washer better.

Code	Meaning
1C	<p>The Water Level sensor is not working properly.</p> <ul style="list-style-type: none">• Turn off the washer, unplug it, wait 30 seconds, and then plug the washer in again. If the information code remains, contact a Samsung customer service center. <p> NOTE</p> <p>If the washer displays “1C”, the washer will automatically drain for 3 minutes. During this time, the Power button is inoperative.</p>
3C	<p>Check the motor for operation.</p> <ul style="list-style-type: none">• Try restarting the cycle.• If the problem continues, call for service.
4C	<p>Water is not supplied.</p> <ul style="list-style-type: none">• Make sure the water taps are open.• Make sure the water hoses are not clogged.• Make sure the water taps are not frozen.• Make sure the washing machine is operating with sufficient water pressure.• Make sure that the cold water tap and the hot water tap are properly connected.• Clean the mesh filter as it may be clogged.• Make sure water hoses are not kinked. <p> NOTE</p> <p>If the washer displays “4C”, the washer will automatically drain for 3 minutes. During this time, the Power button is inoperative.</p>
4C2	<ul style="list-style-type: none">• Make sure the cold water supply hose is firmly connected to the cold water tap. If it is connected to the hot water tap, laundry may be damaged when some cycles are run.

Code	Meaning
5C	<p>Water is not draining.</p> <ul style="list-style-type: none"> • Make sure the drain hose is not frozen or clogged. • Make sure the drain hose is positioned correctly, depending on the connection type. • Clean the mesh debris filter as it may be clogged. • Make sure the drain hose is straight all the way to the drain system. • Turn off the washer, unplug it, wait one minute, and then plug the washer in again. If the information code remains, contact a Samsung customer service center.
9C1	<p>The electronic control needs to be checked (Over Voltage Error).</p> <ul style="list-style-type: none"> • Check if power is supplied properly. • Turn off the washer, unplug it, wait one minute, and then plug the washer in again. If the information code remains, contact a Samsung customer service center.
9C2	<p>Low voltage detected.</p> <ul style="list-style-type: none"> • Check if the power cord is plugged in. • Turn off the washer, unplug it, wait one minute, and then plug the washer in again. If the information code remains, contact a Samsung customer service center.
AC6	<p>Inverter Communication problem.</p> <ul style="list-style-type: none"> • Turn off the washer, unplug it, wait one minute, and then plug the washer in again. If the information code remains, contact a Samsung customer service center.
dC	<p>Operating the washer with the door open.</p> <ul style="list-style-type: none"> • Make sure the door is properly closed. • Make sure laundry is not caught in the door.
HC	<p>High temperature heating check.</p> <ul style="list-style-type: none"> • Turn off the washer, unplug it, wait one minute, and then plug the washer in again. If the information code remains, contact a Samsung customer service center.

Troubleshooting

Code	Meaning
LC	<p>Check the drain hose.</p> <ul style="list-style-type: none"> • Make sure the end of the drain hose is positioned correctly. • Make sure the drain hose is not clogged. • Turn off the washer, unplug it, wait one minute, and then plug the washer in again. If the information code remains, contact a Samsung customer service center. <p> NOTE</p> <p>When the washer displays “LC”, the washer drains for 3 minutes. During this time, the Power button is inoperative.</p>
OC	<p>Water overflowed.</p> <ul style="list-style-type: none"> • Restart after spinning. • Turn off the washer, unplug it, wait one minute, and then plug the washer in again. If the information code remains, contact a Samsung customer service center.
PC	<p>When position of the clutch can't be detected.</p> <ul style="list-style-type: none"> • Turn off the washer, unplug it, wait one minute, and then plug the washer in again. If the information code remains, contact a Samsung customer service center.
PC1	<p>After position of the clutch is detected, if the signal from the clutch hall is incorrect.</p> <ul style="list-style-type: none"> • Turn off the washer, unplug it, wait one minute, and then plug the washer in again. If the information code remains, contact a Samsung customer service center.
Ub	<p>Spinning does not work.</p> <ul style="list-style-type: none"> • Make sure laundry is spread out evenly. • Make sure the washing machine is on a flat, stable surface. • Redistribute the load. If only one item of clothing needs washing, such as a bathrobe or pair of jeans, the final spin result might be unsatisfactory, and a “Ub” check message will appear in the display.
Ur	<p>Display for additional rinsing.</p> <ul style="list-style-type: none"> • Appears when additional rinsing cycle senses that tub is unbalanced. • Press any button/key to release the display.

Code	Meaning
8C	Check the MEMS sensor. <ul style="list-style-type: none">• Power the washer off. Wait 2-3 minutes, power the washer on, and then try again.• If the problem continues, call for service.





For any codes not listed above, call 1-800-726-7864 (1-800-SAMSUNG).

Specifications

Fabric care chart

The following symbols provide garment care direction. The clothing care labels include symbols for drying, bleaching, drying and ironing, or dry cleaning when necessary. The use of symbols ensures consistency among garment manufacturers of domestic and imported items. Follow care label directions to optimize garment life and reduce laundering problems.

Wash cycle

	Normal
	Permanent press/Wrinkle resistant/Wrinkle control
	Gentle/Delicates
	Hand wash

Water temperature




...	Hot
..	Warm
.	Cold

NOTE



This represents appropriate wash water temperatures for various items. The temperature range for Hot is 105° - 125 °F / 41° - 52 °C, for Warm 85° - 105 °F / 29° - 41 °C, and for Cold 60° - 85 °F / 16° - 29 °C. (Wash water temperature must be a minimum of 60 °F / 16 °C for detergent activation and effective cleaning.)

The clothes washer can not ensure these temperatures because the actual temperature of the water entering your washer depends on water heater settings and regional water supply temperatures. For example, cold water entering the home in the northern states during winter may be 40 °F / 4 °C which is too cold for effective cleaning. In this situation, you will need to adjust the water temperature by selecting a warm setting, adding some hot water to the MAX FILL line, or using your washer's heating option, if available.




Bleach

	Any bleach (when needed)
	Only non-chlorine (color-safe) bleach (when needed)
	Tumble dry

Normal

	Permanent press/Wrinkle resistant/Wrinkle control
	Gentle/Delicates




Special instructions

	Line dry/Hang to dry
	Drip dry
	Dry flat







Heat setting

	High
	Medium
	Low
	Any heat
	No heat / Air






Iron dry or steam temperatures

	High
	Medium
	Low

Warning symbols for laundering

	Do not wash
	Do not wring
	Do not bleach
	Do not tumble dry
	No steam (added to iron)
	Do not iron

Dry-clean

	Dry-clean
	Do not dry-clean
	Line dry / Hang to dry
	Drip dry
	Dry flat

Helping the environment

- Your washer is manufactured from recyclable materials. If you decide to dispose of it, please observe local waste disposal regulations. Cut off the power cord so that the appliance cannot be connected to a power source. Remove the lid so that animals and small children cannot get trapped inside the appliance.
- Do not exceed the detergent quantities recommended in the detergent manufacturers' instructions.
- Use stain removal products and bleaches before the wash cycle only when necessary.
- Save water and electricity by only washing full loads (the exact amount depends upon the program used).

Specifications

Declaration of conformity

This appliance complies with UL2157.

Specification sheet

Type		Top loading washer	
Model name		WA54R7600A*	
Water pressure (psi (kPa))		20-116 (137-800)	
Spin revolution		750 rpm	
NET weight (lb (kg))		134 (61)	
Power consumption	Washing	120 V	700 W
	Washing and heating		1440 W

LIMITED WARRANTY (U.S.A.)

SAMSUNG WASHER

LIMITED WARRANTY TO ORIGINAL CONSUMER PURCHASER WITH PROOF OF PURCHASE

This SAMSUNG brand product, as supplied and distributed by SAMSUNG ELECTRONICS AMERICA, INC. (SAMSUNG) and delivered new, in the original carton to the original consumer purchaser, is warranted by SAMSUNG against manufacturing defects in materials or workmanship for the limited warranty period, starting from the date of original purchase, of:

- One (1) year parts and labor,
- Three (3) years stainless tub part (Part Only),
- Ten (10) years washing DD motor part (Part Only)

This limited warranty is valid only on products purchased and used in the United States that have been installed, operated, and maintained according to the instructions attached to or furnished with the product. To receive warranty service, the purchaser must contact SAMSUNG at the address or phone number provided below for problem determination and service procedures. Warranty service can only be performed by a SAMSUNG authorized service center. The original dated bill of sale must be presented upon request as proof of purchase to SAMSUNG or SAMSUNG's authorized service center to receive warranty service.

SAMSUNG will provide in-home service within the contiguous United States during the warranty period at no charge, subject to availability of SAMSUNG authorized servicers within the customer's geographic area. If in-home service is not available, SAMSUNG may elect, at its option, to provide transportation of the product to and from an authorized service center. If the product is located in an area where service by a SAMSUNG authorized servicer is not available, you may be responsible for a trip charge or required to bring the product to a SAMSUNG authorized service center for service.

To receive in-home service, product must be unobstructed and accessible to the service agent.

During the applicable warranty period, a product will be repaired, replaced, or the purchase price refunded, at the sole option of SAMSUNG. SAMSUNG may use new or reconditioned parts in repairing a product, or replace the product with a new or reconditioned product. Replacement parts and products are warranted for the remaining portion of the original product's warranty or ninety (90) days, whichever is longer. All replaced parts and products are the property of SAMSUNG and you must return them to SAMSUNG.

LIMITED WARRANTY (U.S.A.)

This limited warranty covers manufacturing defects in materials or workmanship encountered in normal household, noncommercial use of this product and shall not cover the following: damage that occurs in shipment, delivery, installation, and uses for which this product was not intended; damage caused by unauthorized modification or alteration of the product; product where the original factory serial numbers have been removed, defaced, changed in any way, or cannot be readily determined; cosmetic damage including scratches, dents, chips, and other damage to the product's finishes; damage caused by abuse, misuse, pest infestations, accident, fire, floods, or other acts of nature or God; damage caused by use of equipment, utilities, services, parts, supplies, accessories, applications, installations, repairs, external wiring or connectors not supplied or authorized by SAMSUNG; damage caused by incorrect electrical line current, voltage, fluctuations and surges; damage caused by failure to operate and maintain the product according to instructions; in-home instruction on how to use your product; and service to correct installation not in accordance with electrical or plumbing codes or correction of household electrical or plumbing (i.e., house wiring, fuses, or water inlet hoses). The cost of repair or replacement under these excluded circumstances shall be the customer's responsibility.

Visits by an authorized servicer to explain product functions, maintenance or installation are not covered by this limited warranty. Please contact SAMSUNG at the number below for assistance with any of these issues.

EXCLUSION OF IMPLIED WARRANTIES

IMPLIED WARRANTIES, INCLUDING THE IMPLIED WARRANTIES OF MERCHANTABILITY OR FITNESS FOR A PARTICULAR PURPOSE, ARE LIMITED TO ONE YEAR OR THE SHORTEST PERIOD ALLOWED BY LAW. Some states do not allow limitations on how long an implied warranty lasts, so the above limitations or exclusions may not apply to you. This warranty gives you specific rights, and you may also have other rights, which vary from state to state.

LIMITATION OF REMEDIES

YOUR SOLE AND EXCLUSIVE REMEDY IS PRODUCT REPAIR, PRODUCT REPLACEMENT, OR REFUND OF THE PURCHASE PRICE AT SAMSUNG'S OPTION, AS PROVIDED IN THIS LIMITED WARRANTY. SAMSUNG SHALL NOT BE LIABLE FOR SPECIAL, INCIDENTAL OR CONSEQUENTIAL DAMAGES, INCLUDING BUT NOT LIMITED TO TIME AWAY FROM WORK, HOTELS AND/OR RESTAURANT MEALS, REMODELING EXPENSES, LOSS OF REVENUE OR PROFITS, FAILURE TO REALIZE SAVINGS OR OTHER BENEFITS REGARDLESS OF THE LEGAL THEORY ON WHICH THE CLAIM IS BASED, AND EVEN IF SAMSUNG HAS BEEN ADVISED OF THE POSSIBILITY OF SUCH DAMAGES. Some states do not allow exclusion or limitation of incidental or consequential damages, so the above limitations or exclusions may not apply to you. This warranty gives you specific rights, and you may also have other rights, which vary from state to state.

SAMSUNG does not warrant uninterrupted or error-free operation of the product. No warranty or guarantee given by any other person, firm, or corporation with respect to this product shall be binding on SAMSUNG.

To obtain warranty service, please contact SAMSUNG at:

Samsung Electronics America, Inc.

85 Challenger Road

Ridgefield Park, NJ 07660

1-800-SAMSUNG (726-7864)

www.samsung.com/us/support



Scan the QR code* or visit
www.samsung.com/spsn
to view our helpful
How-to Videos and Live Shows

*Requires reader to be installed on your smartphone

Scan this with your smartphone

QUESTIONS OR COMMENTS?

COUNTRY	CALL	OR VISIT US ONLINE AT
U.S.A	1-800-SAMSUNG (726-7864)	www.samsung.com/us/support



Lavadora

Manual del usuario

WA54R7600A*

SAMSUNG

Contenido

Información sobre seguridad	4
Lo que necesita saber sobre las instrucciones de seguridad	4
Símbolos de seguridad importantes	4
Precauciones de seguridad importantes	5
PROPOSICIÓN 65 DE CALIFORNIA: ADVERTENCIA	6
Advertencias fundamentales para la instalación	6
Precauciones para la instalación	7
Advertencias fundamentales para el uso	8
Precauciones de uso	9
Advertencias fundamentales para la limpieza	12
Instalación	13
Desempaque de la lavadora	13
Componentes	14
Requisitos de instalación	16
Instalación paso a paso	19
Antes de comenzar	28
Configuración inicial	28
Pautas de lavado	28
Pautas para el cajón para detergente	32
Funcionamiento	35
Panel de control	35
Sencillos pasos para comenzar	39
Descripción de los ciclos	40
Tabla de ciclos	42
Funciones especiales	44
Smart Care	47

Mantenimiento	48
Lavado eco de tambor	48
Limpieza del exterior	49
Limpieza del interior	49
Mantenimiento luego de un período prolongado sin utilizar la lavadora	49
Limpieza del filtro de malla	50
Limpieza del cajón del detergente	51
Solución de problemas	53
Verificaciones	53
Códigos de información	58
Especificaciones	61
Tabla de indicaciones sobre telas	61
Ayuda al medioambiente	62
Declaración de conformidad	63
Hoja de especificaciones	63

Información sobre seguridad

Felicitaciones por la compra de la nueva lavadora Samsung. Este manual contiene información importante acerca de la instalación, el uso y el cuidado del electrodoméstico. Lea detenidamente estas instrucciones a fin de aprovechar al máximo los múltiples beneficios y funciones de la lavadora.

Lo que necesita saber sobre las instrucciones de seguridad

Lea este manual detenidamente para aprender a utilizar con seguridad y eficacia todas las características y funciones de su nuevo electrodoméstico. Conserve el manual en un lugar seguro cerca del electrodoméstico para consultas futuras. Utilice este electrodoméstico solo para el propósito para el que fue destinado como se describe en este manual.

Las advertencias y las instrucciones de seguridad importantes de este manual no cubren todas las posibles condiciones y situaciones que pueden ocurrir. Es su responsabilidad actuar con sentido común, precaución y cuidado cuando instale, realice el mantenimiento y ponga en funcionamiento la lavadora.

Puesto que las siguientes instrucciones de funcionamiento sirven para varios modelos, las características de su lavadora pueden diferir ligeramente de las que se describen en este manual y es posible que no todos los signos de advertencia sean aplicables. Si tiene alguna consulta o duda, comuníquese con el centro de servicio más cercano o busque ayuda e información en línea en www.samsung.com.

Símbolos de seguridad importantes

Los iconos y las señales incluidas en este manual del usuario significan lo siguiente:

ADVERTENCIA

Peligros o prácticas inseguras que podrían causar lesiones físicas graves, la muerte y/o daños materiales.

PRECAUCIÓN

Peligros o prácticas inseguras que podrían causar lesiones físicas o daños materiales.

NOTA

Indica que existe el riesgo de lesiones físicas o daños materiales.

Estas señales de advertencia están aquí para evitar que usted u otras personas sufran lesiones. Siga las instrucciones completamente. Después de leer este manual, guárdelo en un lugar seguro para consultas futuras.

Lea todas las instrucciones antes de usar el electrodoméstico.

Al igual que con cualquier equipo que usa electricidad y contiene piezas móviles, existen riesgos potenciales. Para usar este electrodoméstico en forma segura, familiarícese con su funcionamiento y úselo con cuidado.

CONSERVE ESTAS INSTRUCCIONES

Precauciones de seguridad importantes

ADVERTENCIA

Para reducir el riesgo de incendio, descarga eléctrica o lesiones físicas cuando usa este electrodoméstico, siga las instrucciones de seguridad básicas que figuran a continuación:

1. Lea todas las instrucciones antes de usar este electrodoméstico.
2. No lave ni seque prendas que se han limpiado, lavado, remojado o salpicado previamente con gasolina, solventes de limpieza en seco u otras sustancias inflamables o explosivas, ya que emiten vapores que pueden encenderse o explotar.
3. No permita que los niños jueguen sobre el electrodoméstico ni dentro de él. Se requiere de supervisión cuando el electrodoméstico es utilizado cerca de los niños.
4. Antes de descartar el electrodoméstico o de trasladarlo para que se le efectúe un servicio técnico, retire la tapa del compartimiento de la lavadora o la secadora.
5. No introduzca la mano en el electrodoméstico si el tambor está en movimiento.
6. No instale ni almacene este electrodoméstico donde quede expuesto a los factores climáticos.
7. No modifique los controles.
8. No repare, reemplace ni intente realizar el mantenimiento de cualquier pieza del electrodoméstico salvo que esté recomendado específicamente en las instrucciones de mantenimiento del usuario o en las instrucciones de reparación para el usuario publicadas y que, a su juicio, usted tenga la habilidad para llevarlas a cabo.
9. No agregue gasolina, solventes de limpieza en seco u otras sustancias inflamables o explosivas al agua del lavado. Estas sustancias emiten vapores que pueden encenderse o explotar.
10. Es posible que, en ciertas circunstancias, se produzca gas hidrógeno en un sistema de agua caliente que no se ha usado durante 2 semanas o más. EL GAS HIDRÓGENO ES EXPLOSIVO. Si el sistema de agua caliente no fue utilizado durante 2 semanas o más, antes de usar la lavadora, o la lavadora y la secadora combinadas, abra todas las llaves del agua caliente y deje correr el agua por varios minutos. De esta manera, se eliminará el gas hidrógeno acumulado. Dado que el gas es inflamable, no fume ni use una llama abierta en ese momento.

CONSERVE ESTAS INSTRUCCIONES

Información sobre seguridad

PROPOSICIÓN 65 DE CALIFORNIA: ADVERTENCIA

ADVERTENCIA

Cáncer y afecciones reproductivas - www.P65Warnings.ca.gov.

Advertencias fundamentales para la instalación

ADVERTENCIA

Enchufe el cable de alimentación en un tomacorriente de pared de 120 V CA / 60 Hz categorizado en 15 A o más. Utilice el tomacorriente solo con este electrodoméstico. No use un cable prolongador.

- Compartir el tomacorriente de pared con otros electrodomésticos, utilizando un multicontacto o prolongando el cable de alimentación, puede provocar una descarga eléctrica o un incendio.
- No utilice un transformador eléctrico. Puede provocar una descarga eléctrica o un incendio.
- Asegúrese de que el voltaje, la frecuencia y la corriente coincidan con las especificaciones del producto. De lo contrario, se puede provocar una descarga eléctrica o un incendio.

Este electrodoméstico debe ser instalado por un técnico calificado o una empresa de servicios.

- De lo contrario, se puede provocar una descarga eléctrica, un incendio, una explosión, problemas con el producto o lesiones.

Retire regularmente todas las sustancias extrañas, como polvo o agua, de los terminales y los puntos de contacto de la alimentación con un paño seco.

- Desenchufe el cable de alimentación y límpielo con un paño seco.
- De lo contrario, se puede provocar una descarga eléctrica o un incendio.

Enchufe el cable de alimentación en un tomacorriente de pared en la dirección adecuada de manera que el cable baje hacia el piso.

- Si enchufa el cable de alimentación en el tomacorriente en la dirección opuesta, los cables eléctricos del interior del cable pueden dañarse y provocar una descarga eléctrica o un incendio.

Este electrodoméstico debe conectarse a tierra correctamente. La conexión a tierra no debe hacerse a una tubería de gas, una tubería de agua de plástico, ni a la línea telefónica.

- Una conexión a tierra inadecuada puede provocar una descarga eléctrica, un incendio, una explosión o problemas con el producto.
- Nunca enchufe el cable de alimentación en un tomacorriente que no esté conectado a tierra correctamente. Asegúrese de que el tomacorriente esté conectado a tierra conforme a los códigos locales y nacionales.

CONSERVE ESTAS INSTRUCCIONES

No instale este electrodoméstico cerca de un calefactor o materiales inflamables.

No instale este electrodoméstico en un lugar húmedo, grasiento o cubierto de polvo, ni lo exponga a la luz directa del sol o al agua (gotas de lluvia).

No instale este electrodoméstico en un lugar donde pueda haber fugas de gas.

- Puede provocar una descarga eléctrica o un incendio.

Enchufe el cable de alimentación firmemente en el tomacorriente de pared. No utilice un cable de alimentación o un enchufe dañado ni un tomacorriente de pared que esté flojo.

- Puede provocar una descarga eléctrica o un incendio.

No jale el cable de alimentación ni lo doble excesivamente.

No tuerza ni ate el cable de alimentación.

No cuelgue el cable de alimentación de un objeto metálico, no coloque objetos pesados sobre él, no inserte el cable de alimentación entre objetos ni lo empuje en un espacio detrás del electrodoméstico.

- Puede provocar una descarga eléctrica o un incendio.

No jale el cable de alimentación para desenchufarlo.

- Para desenchufar el cable de alimentación, jálelo sujetándolo por el enchufe.
- De lo contrario, se puede provocar una descarga eléctrica o un incendio.

Si el enchufe o el cable de alimentación están dañados, comuníquese con el centro de servicio Samsung más cercano.

Precauciones para la instalación

PRECAUCIÓN

Coloque el electrodoméstico de manera tal que se pueda acceder fácilmente al tomacorriente.

- De lo contrario, se puede provocar una descarga eléctrica o un incendio debido a las fugas eléctricas.

Instale el electrodoméstico sobre una superficie nivelada que pueda soportar su peso.

- De lo contrario, pueden producirse vibraciones anormales, ruidos o problemas con el producto.

Desenchufe el electrodoméstico si no lo va a utilizar durante un período prolongado o durante una tormenta eléctrica.

- De lo contrario, se puede provocar una descarga eléctrica o un incendio.

CONSERVE ESTAS INSTRUCCIONES

Información sobre seguridad

Advertencias fundamentales para el uso

ADVERTENCIA

Si el electrodoméstico se inunda, desconéctelo inmediatamente y comuníquese con el centro de servicio Samsung más cercano.

Si el electrodoméstico genera ruidos extraños, olor a quemado o humo, desconéctelo de inmediato y llame al centro de servicio Samsung más cercano.

- De lo contrario, se puede provocar una descarga eléctrica o un incendio.

En caso de fugas de gas (tales como propano, LP, etc.), ventile el área inmediatamente. No encienda ni apague ningún electrodoméstico ni ninguna luz.

- No utilice un ventilador.
- Una chispa puede provocar un incendio o una explosión.

No lave prendas contaminadas con gasolina, queroseno, benceno, disolventes de pinturas, alcohol u otras sustancias inflamables o explosivas.

- Puede provocar una descarga eléctrica, un incendio o una explosión.

No abra la tapa de la lavadora por la fuerza mientras esté en funcionamiento (lavado a alta temperatura/ secado/centrifugado).

- El agua que sale de la lavadora puede provocar quemaduras o hacer que el piso sea resbaladizo. Puede provocar lesiones.
- Abrir la tapa por la fuerza puede dañar el producto o provocar lesiones físicas.

Asegúrese de quitar el empaque (goma espuma, poli estireno) del fondo de la lavadora antes de utilizarla.

No introduzca las manos bajo la lavadora.

- Puede provocar lesiones.

No toque el enchufe con las manos mojadas.

- Puede provocar una descarga eléctrica.

No apague el electrodoméstico desenchufándolo mientras la lavadora está en funcionamiento.

- Si vuelve a enchufar el electrodoméstico en el tomacorriente puede originar una chispa y causar una descarga eléctrica o un incendio.

Mantenga los materiales de empaque fuera del alcance de los niños, ya que son peligrosos para ellos.

- Si un niño mete la cabeza en una bolsa de plástico se puede asfixiar.

No permita que los niños o las personas inestables utilicen la lavadora sin supervisión.

- Si lo hace puede provocar una descarga eléctrica, quemaduras o lesiones.

CONSERVE ESTAS INSTRUCCIONES

No introduzca la mano ni objetos de metal bajo la lavadora mientras esté en funcionamiento.

- Puede provocar lesiones.

No trate de reparar, desensamblar ni modificar el electrodoméstico usted mismo.

- No utilice un fusible (de cobre, cable de acero, etc.) que no sea el estándar.
- Si necesita reparar o volver a instalar el electrodoméstico, comuníquese con el centro de servicio Samsung más cercano.
- De lo contrario, se puede provocar una descarga eléctrica, un incendio, problemas con el producto o lesiones.

Si alguna sustancia extraña, tal como el agua, se introduce en el electrodoméstico en algún compartimiento distinto del tambor, desenchufe el cable de alimentación y comuníquese con el centro de servicio Samsung más cercano.

- De lo contrario, se puede provocar una descarga eléctrica o un incendio.

Si se afloja la manguera de suministro de agua de la llave de agua y se inunda el electrodoméstico, desenchufe el cable de alimentación.

- De lo contrario, se puede provocar una descarga eléctrica o un incendio.

Para telas impermeables, utilice solo el ciclo WATERPROOF (PRENDAS IMPERMEABLES).

- No utilice otros ciclos para las telas impermeables. Se pueden producir lesiones o daños a la lavadora, las paredes, el piso o la ropa debido a las vibraciones anormales.
- Configure la temperatura y el centrifugado de acuerdo con las indicaciones en la etiqueta de cuidado.
- **ADVERTENCIA** : No seguir con precisión estas instrucciones puede causar una vibración anormal y una falta de equilibrio que, a su vez, puede producir lesiones físicas, daños materiales y/o daños al electrodoméstico.

Precauciones de uso

PRECAUCIÓN

Si la lavadora está contaminada por sustancias extrañas, tales como detergente, tierra, restos de alimentos, etc., desenchufe el cable de alimentación y limpie la lavadora con un paño suave humedecido.

- Si no lo hace se puede producir decoloración, deformación, daños u óxido.

La parte transparente de la tapa puede quebrarse con un impacto fuerte. Tenga cuidado cuando utilice la lavadora.

- Si la parte transparente está agrietada o quebrada, puede causar lesiones.

CONSERVE ESTAS INSTRUCCIONES

Información sobre seguridad

Tras una falla del suministro de agua o cuando se vuelve a conectar la manguera de suministro, abra lentamente la llave de agua.

Abra lentamente la llave de agua tras un período prolongado de falta de uso.

- La presión del aire de la manguera de suministro o de la conducción de agua puede dañar alguna pieza o provocar fugas de agua.

Si durante el funcionamiento hay una falla en el drenaje, verifique el drenaje.

- Si se utiliza la lavadora inundada por una falla en el drenaje, se puede provocar una descarga eléctrica o un incendio.

No introduzca las manos bajo la lavadora.

- Puede provocar lesiones.

Introduzca completamente la ropa en la lavadora de modo que no pueda quedar atrapada por la tapa.

- Si la ropa queda atrapada por la tapa, puede dañarse la ropa o la lavadora, o pueden haber fugas de agua.

Asegúrese de que la llave de agua esté cerrada cuando la lavadora no se utiliza.

- Asegúrese de que los conectores de la manguera de suministro de agua estén correctamente ajustados.
- De lo contrario, se pueden provocar daños materiales o lesiones.

Antes de utilizar el producto, abra la llave de agua y verifique que el conector de la manguera de suministro esté bien ajustado y que no haya fugas de agua.

- Si los conectores de la manguera de suministro de agua están flojos, pueden haber fugas de agua.

No se pare encima del electrodoméstico ni le coloque encima objetos (como ropa, velas o cigarrillos encendidos, platos, productos químicos, objetos metálicos, etc.).

- Puede provocar una descarga eléctrica, un incendio, problemas con el producto o lesiones.

No haga funcionar el electrodoméstico con las manos mojadas.

- Puede provocar una descarga eléctrica.

No rocíe materiales volátiles, como insecticidas, en la superficie del electrodoméstico.

- Además de ser perjudiciales para las personas, también pueden provocar una descarga eléctrica, un incendio o problemas con el producto.

No coloque objetos que generen campos electromagnéticos cerca de la lavadora.

- Puede causar lesiones por un mal funcionamiento.

No toque el agua que se drena durante el lavado a alta temperatura o durante el ciclo de secado ya que está caliente.

- Puede causar lesiones personales o quemaduras.

CONSERVE ESTAS INSTRUCCIONES

No haga funcionar la lavadora sin el dosificador de detergente.

- Se puede provocar una descarga eléctrica o lesiones debido a fugas de agua.

No introduzca las manos en el dosificador de detergente después de abrirlo.

- La mano podría quedar apretada y sufrir lesiones.

No introduzca ningún objeto que no sea ropa (por ejemplo, zapatos, restos de comida o animales) en la lavadora.

- Esto puede causar vibraciones anormales que pueden dañar la lavadora y, en el caso de las mascotas, puede provocar lesiones graves, o incluso la muerte.

No presione los botones con objetos afilados, como alfileres, cuchillos, uñas, etc.

- Puede provocar una descarga eléctrica o lesiones personales.

No lave ropa contaminada por aceites, cremas o lociones que se utilizan normalmente en los establecimientos para el cuidado de la piel o en las clínicas de masajes.

- Se puede deformar la junta de goma y provocar fugas de agua.

No deje objetos de metal (tales como clips, horquillas, etc.) ni blanqueador en el tambor durante períodos prolongados.

- Se puede oxidar el tambor.
- Si aparece óxido en la superficie del tambor, aplique un agente limpiador neutro sobre la superficie y utilice una esponja para limpiarla. Nunca utilice un cepillo de metal.

No utilice detergentes de limpieza en seco en el tambor ni lave, enjuague o centrifugue ropa contaminada por detergentes de limpieza en seco.

- Se puede producir una combustión espontánea o un incendio por el calor de la oxidación del aceite.

No utilice agua caliente de dispositivos de calentamiento o enfriamiento del agua.

- Podría causar problemas en la lavadora.

No utilice jabón natural para lavado a mano en la lavadora.

- Si se endurece y se acumula en el interior de la lavadora, puede causar problemas en el producto, tales como decoloración, óxido y malos olores.

No lave prendas grandes como ropa de cama dentro de una red.

- De lo contrario, se pueden producir lesiones personales por las vibraciones anormales.
- Coloque los artículos más pequeños, como las medias y la lencería, dentro de una red.

No utilice detergente endurecido.

- Si se acumula en el interior de la lavadora, puede provocar fugas de agua.

No lave alfombras o felpudos en la lavadora.

CONSERVE ESTAS INSTRUCCIONES

Información sobre seguridad

- Si lava alfombras o felpudos, se acumulará arena en el interior de la lavadora. Puede provocar fallas como la falta de drenaje.

Advertencias fundamentales para la limpieza

ADVERTENCIA

No limpie el electrodoméstico rociando directamente agua dentro de él.

No utilice un agente limpiador muy ácido.

No utilice benceno, disolventes de pinturas ni alcohol para limpiar el electrodoméstico.

- Puede provocar decoloración, deformación, daños, incendio o descarga eléctrica.

Antes de la limpieza o las tareas de mantenimiento, desenchufe el electrodoméstico del tomacorriente de la pared.

- De lo contrario, se puede provocar una descarga eléctrica o un incendio.

CONSERVE ESTAS INSTRUCCIONES

Instalación

Siga detenidamente estas instrucciones para asegurar una adecuada instalación de la lavadora y evitar accidentes al usarla.

⚠ ADVERTENCIA

Algunas piezas internas no están conectadas a tierra intencionalmente y pueden presentar riesgo de descarga eléctrica únicamente durante el servicio técnico. Personal del servicio técnico - No toque las siguientes piezas mientras el electrodoméstico está recibiendo electricidad: Panel de control, disipador térmico, motor, válvula de entrada, calentador y bomba.

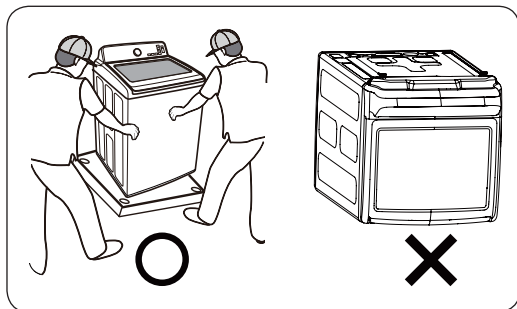
Desempaque de la lavadora

Desempaque la lavadora e inspecciónela para controlar que no se hayan producido daños durante el transporte. Asegúrese de haber recibido todos los elementos que se muestran a continuación. Si la lavadora sufrió daños durante el transporte, o si falta algún elemento, llame al 1-800-726-7864 (1-800-SAMSUNG).

Para evitar lesiones físicas o distensiones musculares, use guantes protectores cada vez que levante o transporte la unidad.

⚠ ADVERTENCIA

Los materiales de empaque pueden ser peligrosos para los niños. Mantenga todos los materiales de empaque (bolsas de plástico, poli estireno, etc.) fuera del alcance de los niños.



⚠ PRECAUCIÓN

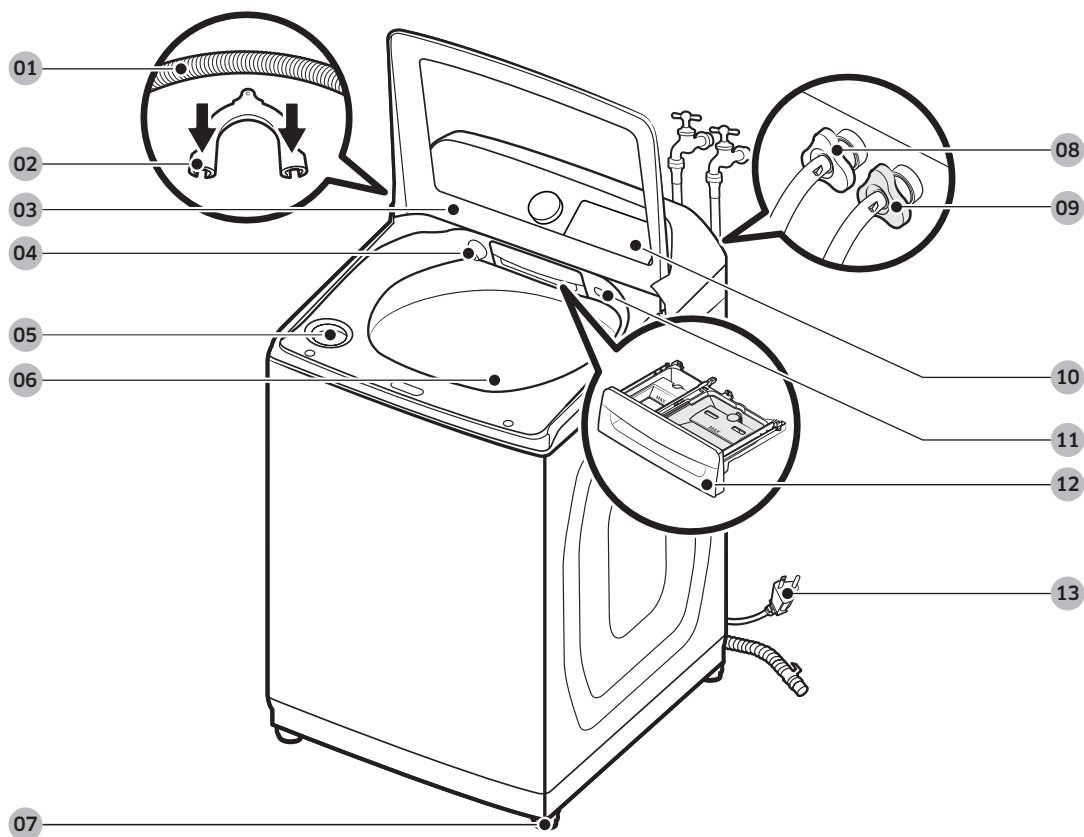
Se necesitan 2 personas para desempacar la lavadora como mínimo. No incline la lavadora hacia adelante al retirar la protección de la parte inferior de los materiales de empaque.

Cuando recline la lavadora para retirar la base de cartón, proteja el lateral y deposítela con cuidado. Nunca apoye la lavadora sobre la parte frontal ni posterior.

Instalación

Componentes

Asegúrese de que todos los componentes estén incluidos en el paquete. Si tiene algún problema con la lavadora o las piezas, comuníquese con el centro de atención al cliente de Samsung o con el vendedor.



01 Manguera de drenaje

02 Guía de la manguera

03 Tapa

04 Boquilla del Chorro de agua

05 Compartimiento para el blanqueador

06 Tambor

07 Patas niveladoras

08 Manguera de agua (Caliente)

09 Manguera de agua (Fría)

10 Panel de control

11 Botón del Chorro de agua

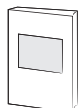
12 Cajón para detergente

13 Cable de alimentación

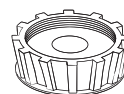
Partes suministradas



Guía de la manguera



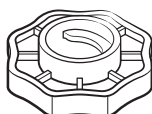
Manual del usuario



Tapón de la entrada de agua

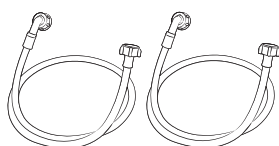


Sujetacables



Anillo de la pata

Partes no suministradas



Mangueras de agua

Herramientas necesarias para la instalación



Llave inglesa



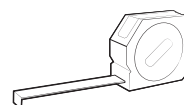
Destornillador
Phillips



Nivelador



Pinzas ajustables



Cinta de medir

NOTA

- Si pierde algún accesorio y desea adquirir un repuesto, comuníquese con el Centro de atención al cliente de Samsung (1-800-726-7864 (1-800-SAMSUNG)).
- El diseño de las piezas y los accesorios que se muestran en las imágenes a continuación puede diferir. Los diseños están sujetos a cambios sin previo aviso para mejorar el producto.

PRECAUCIÓN

- No vuelva a utilizar las mangueras viejas, ya que pueden tener fugas o se pueden reventar y provocar inundaciones o daños materiales.
- Asegúrese de que las arandelas de goma estén insertadas en cada unión de las dos mangueras de agua.

Instalación

Requisitos de instalación

Suministro eléctrico y conexión a tierra

- Fusible o interruptor de 120 V CA / 60 Hz / 15 A requerido.
- Utilice un circuito derivado individual. Conecte solo la lavadora al circuito.

Para asegurar una conexión a tierra adecuada, la lavadora está equipada con un cable de alimentación que cuenta con un enchufe de tres pines con conexión a tierra para utilizar en un tomacorriente con conexión a tierra correctamente instalado.

Si tiene dudas sobre la correcta conexión a tierra, consulte con un electricista o un técnico de servicio acreditados.

No modifique el enchufe provisto. Si no entra en el tomacorriente, solicite a un electricista calificado que instale el tomacorriente apropiado.

ADVERTENCIA

- NO utilice un cable prolongador.
- Utilice únicamente el cable de alimentación que viene con la lavadora.
- NO conecte el cable a tierra a las tuberías de plástico, las tuberías de gas o a las cañerías de agua caliente.
- La conexión no adecuada de los conductores de descarga a tierra puede generar una descarga eléctrica.
- Para evitar el riesgo innecesario de incendio, descarga eléctrica o lesiones físicas, todo el cableado y la conexión a tierra deben realizarse de conformidad con los códigos locales o, en ausencia de ellos, de conformidad con el Código Eléctrico Nacional, ANSI/NFPA Nro. 70, su última revisión (para EE.UU.) o el Código Eléctrico Canadiense CSA C22.1, sus últimas revisiones y los códigos y ordenanzas locales. Es su responsabilidad proveer el servicio eléctrico adecuado para su lavadora.

Suministro de agua

La presión de agua adecuada para esta lavadora es de 20-116 psi (137-800 kPa). Una presión de agua inferior a 20 psi (137 kPa) puede impedir que la válvula de agua se cierre completamente. También puede hacer que el tambor demore demasiado en llenarse y se apague la lavadora. Las llaves del agua deben estar colocadas dentro de los 4 pies (122 cm) de la parte posterior de la lavadora para que las mangueras de entrada provistas puedan llegar a la lavadora.

Para reducir el riesgo de fugas:

- Asegúrese de que las llaves de agua se encuentren en una posición accesible.
- Cierre las llaves cuando la lavadora no esté en uso.
- Revise periódicamente que no haya pérdidas de agua en los accesorios de la manguera de entrada de agua.

PRECAUCIÓN

Antes de utilizar la lavadora por primera vez, controle que todas las conexiones de la válvula y de la llave del agua no presenten pérdidas.

Drenaje

Samsung recomienda una toma de agua de 39 in (990 mm) de altura. La manguera de drenaje debe conectarse a la toma de agua a través del gancho, y la toma de agua debe cubrir totalmente la manguera de drenaje.

Piso

Para un mejor desempeño, la lavadora debe estar instalada sobre un piso sólido. Posiblemente los pisos de madera necesiten reforzarse para minimizar la vibración y/o el desequilibrio de la carga. Las superficies alfombradas o con revestimiento sintético no ofrecen una buena resistencia a las vibraciones y pueden causar que la lavadora se desplace levemente durante el ciclo de centrifugado.

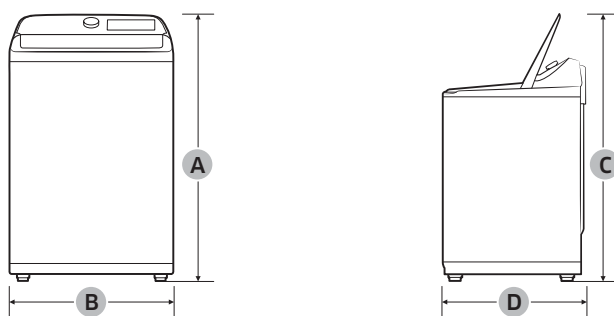
PRECAUCIÓN

NO instale la lavadora sobre una plataforma o sobre una estructura con soportes poco resistentes.

Temperatura del agua

No instale la lavadora en áreas donde el agua se congele, dado que la lavadora siempre retiene algo de agua en las válvulas de agua, la bomba y las mangueras. El agua congelada dentro de los conductos puede dañar las correas, la bomba y otros componentes de la lavadora.

Dimensiones



A. Altura	44.6 in (1132 mm)
B. Ancho	27.5 in (699 mm)
C. Altura con la tapa abierta	58.3 in (1480 mm)
D. Profundidad	29.4 in (747 mm)

Instalación

Requisito de espacio libre

Este requisito de espacio libre solo se aplica a las lavadoras.

NOTA

- Para el requisito de espacio libre para secadoras, consulte el manual del usuario de la secadora.
- Si la lavadora y la secadora tienen distintos requisitos de espacio libre, utilice el valor mayor.

Instalaciones del electrodoméstico en un gabinete o en un hueco

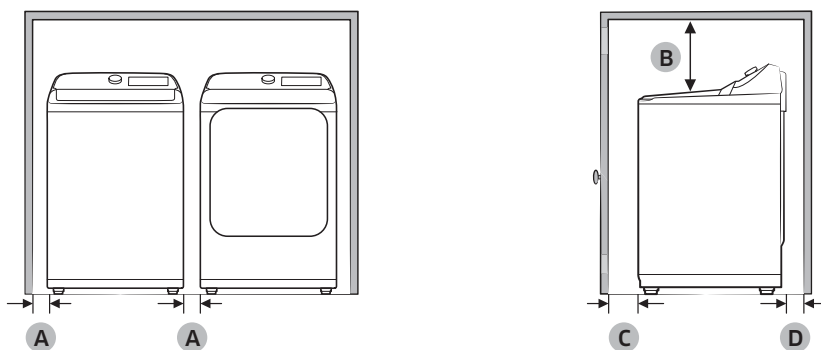
Espacio libre mínimo para un funcionamiento estable:

Laterales	Arriba	Posterior	Frente
1 in / 25 mm	21 in / 533 mm	5.9 in / 150 mm	1 in / 25 mm

Si se instalan una lavadora y una secadora en la misma ubicación, el frente del gabinete o hueco debe tener dos aberturas de aire sin obstrucciones que combinadas sean de al menos 72 in² (465 cm²).

Este requisito de espacio libre aplica para la instalación de lavadora y secadora en conjunto.

Instalación lado a lado



A	1 in (25 mm)
B	21 in (533 mm)
C	1 in (25 mm)
D	5.9 in (150 mm)

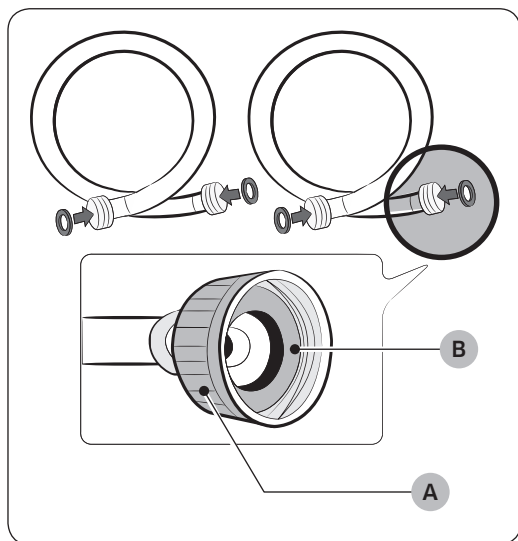
Instalación paso a paso

PASO 1 Seleccionar una ubicación

Requisitos de la ubicación:

- Una superficie sólida y nivelada sin alfombras ni revestimientos para pisos que puedan obstruir la ventilación
- No expuesta a la luz directa del sol
- Espacio suficiente para la ventilación y el cableado
- La temperatura ambiente debe ser siempre superior al punto de congelación (32 °F/0 °C)
- Alejada de fuentes de calor

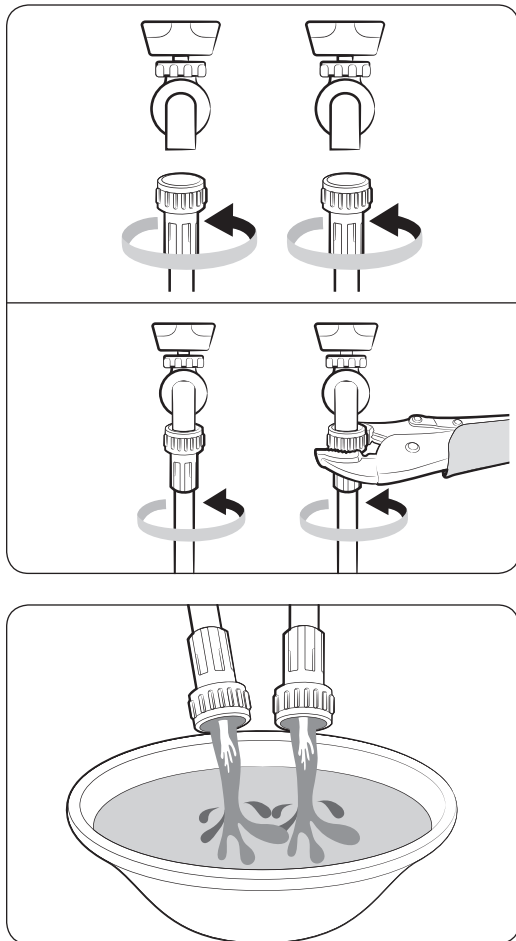
PASO 2 Conectar la manguera de agua



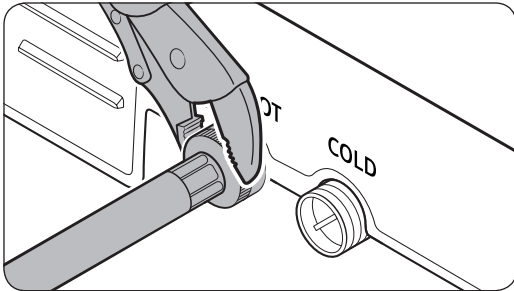
⚠ PRECAUCIÓN

- Asegúrese de usar mangueras de agua nuevas, y de que las juntas de goma (B) estén dentro de los acoplamientos (A) en ambos extremos de las mangueras. Es posible que las mangueras de agua que no tengan juntas pierdan.
- Deje 6 in. (150 mm) entre la parte posterior de la lavadora y la pared para evitar que las mangueras de agua se enrosquen. Las mangueras enroscadas pueden presentar pérdidas de agua.
- Si hay una fuga de agua, deje de utilizar la lavadora y comuníquese con un centro de servicio local de Samsung. Una fuga de agua puede provocar una descarga eléctrica.
- No estire a la fuerza las mangueras de agua. Si una manguera resulta demasiado corta, reemplácela por otra manguera más larga.

Instalación



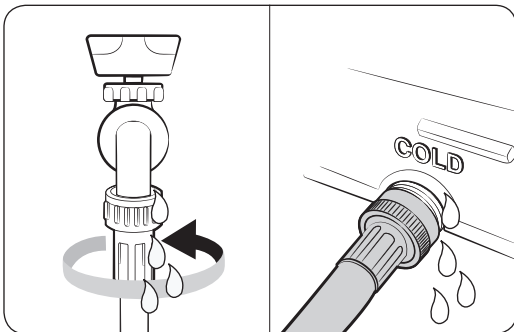
1. Ajuste las mangueras de agua a las llaves de agua fría y caliente con la mano hasta que estén bien apretadas. Luego, utilice pinzas para ajustar dos tercios de un giro más. No ajuste los accesorios de más para evitar dañarlos.
2. Jale las mangueras de agua para verificar que estén bien conectadas.
3. Coloque los otros extremos de las mangueras en una cubeta y abra las llaves de agua durante 10 a 15 segundos para eliminar las impurezas. Cuando haya terminado, cierre las llaves de agua.



4. Ajuste las mangueras de agua a las entradas de agua fría y caliente con la mano hasta que estén bien apretadas. Luego, utilice pinzas para ajustar dos tercios de un giro más.

NOTA

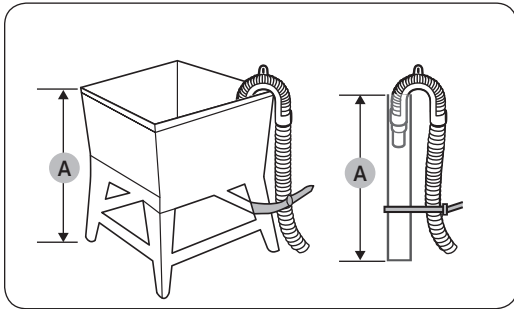
- Si no va a utilizar agua caliente, bloquee la entrada del suministro de agua caliente con el tapón de la entrada de agua. Si no, puede haber pérdida de agua.
- Asegúrese de que la temperatura del agua esté configurada en **Cold (Fría)** luego de bloquear la entrada del suministro de agua caliente. De lo contrario, la cantidad de agua que se suministra podría ser poca o directamente nada en absoluto.



5. Abra las llaves de agua y verifique que no haya pérdidas.

Instalación

PASO 3 Conectar la manguera de drenaje

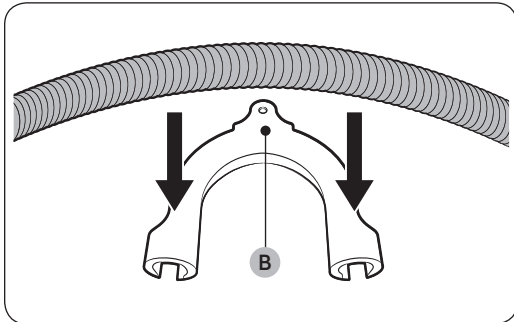


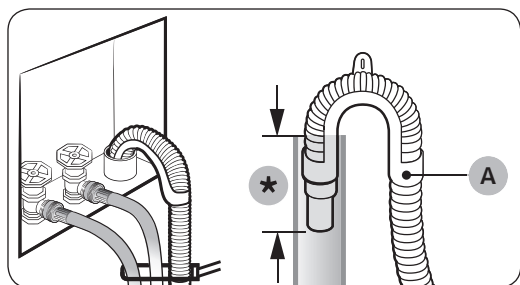
1. Verifique la **altura (A)** de su sistema de drenaje y asegúrese de que se cumplan las alturas mínimas y máximas.

Mínimo	39 in (99 cm)
Máximo	96 in (245 cm)

NOTA

- Asegúrese de medir la altura desde el piso donde se apoya la lavadora.
 - Es posible que la eficacia del drenaje sea menor si el sistema está a la altura máxima.
 - Para evitar el trasvase de agua de la lavadora, no utilice un sistema de drenaje cuya altura sea inferior a la mínima indicada.
2. Coloque la manguera de drenaje en la **guía para manguera de plástico (B)**.





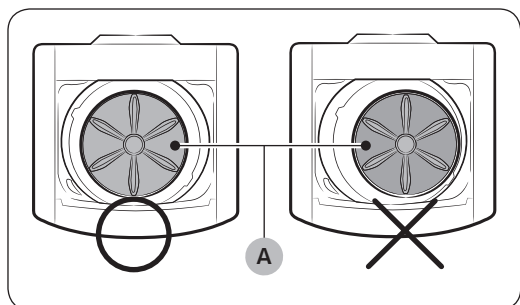
(*): Mín. 6 in (152 mm), Máx. 8 in (203 mm)

3. Dirija la manguera de drenaje hacia el sistema de drenaje.

⚠ PRECAUCIÓN

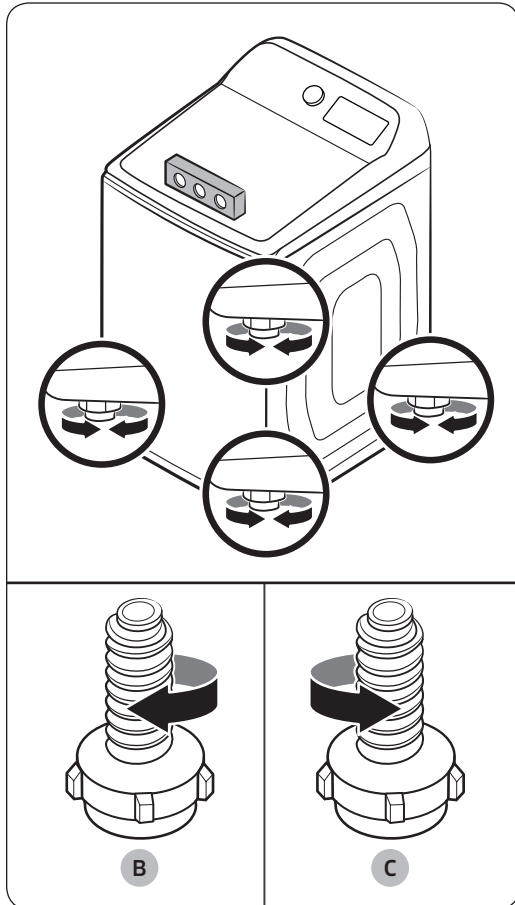
- En caso de utilizar una toma de agua, asegúrese de que la conexión de la toma de agua y la manguera de drenaje no esté hermetizada.
 - Si utiliza una toma de agua, asegúrese de que la manguera de drenaje esté entre 6 in (152 mm) y 8 in (203 mm) dentro de la toma de agua.
4. Fije la manguera de drenaje con uniones de cable.

PASO 4 Nivele la lavadora



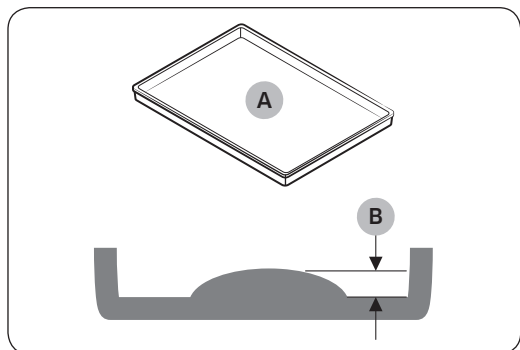
1. Deslice la lavadora hasta dejarla en su lugar.
2. Abra la tapa y verifique el pulsador. Si la lavadora está nivelada, el **pulsador (A)** se situará en el centro del tambor.

Instalación



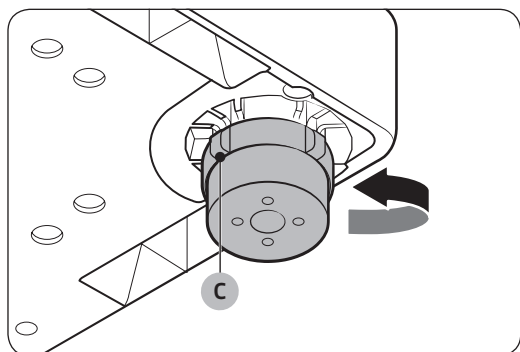
3. Si la lavadora no está nivelada, gire la pata niveladora hacia la **derecha (B)** para bajar la lavadora, o hacia la **izquierda (C)** para subirla y nivelarla.

Instalación del anillo de la pata a las patas niveladoras (únicamente para los modelos aplicables)

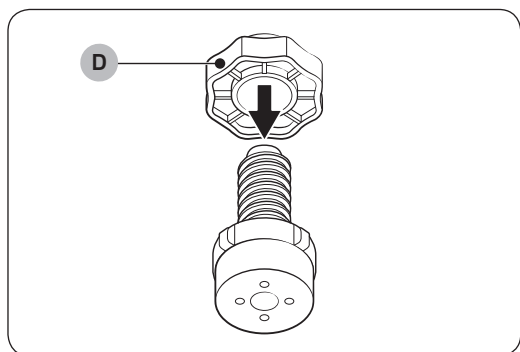


- A. Bandeja colectora de agua
- B. Altura de la protuberancia menor a 5/8"

- Al usar la bandeja colectora de agua, instale los anillos de la pata a las patas niveladoras para ajustar la altura de la lavadora.
- Los anillos de la pata se pueden encontrar en la bolsa de accesorios que viene con el producto.

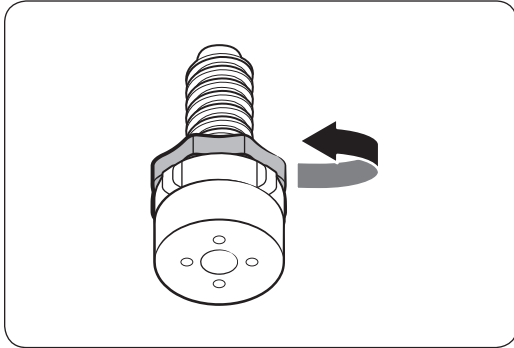


1. Levante levemente la lavadora y luego gire las patas niveladoras (C) en sentido contrario a las agujas del reloj para separarlas de la lavadora.

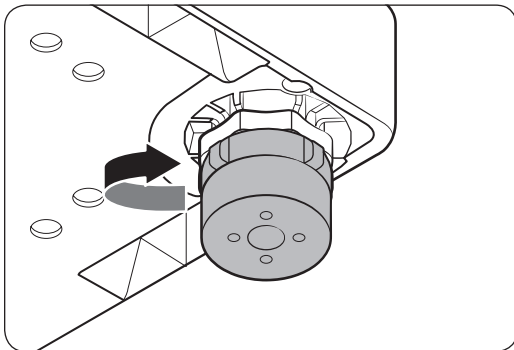


2. Coloque el anillo de la pata (D) a las patas niveladoras.

Instalación



3. Gire el anillo en sentido contrario a las agujas del reloj hacia la parte inferior de las patas niveladoras.



4. Coloque nuevamente las patas en la lavadora y luego gírelas en el sentido de las agujas del reloj hasta que se retraigan por completo.

Instalación

PASO 5 Encendido

Enchufe el cable de alimentación a un tomacorriente de 120 V CA / 60 Hz / 15 A aprobado y protegido por un disyuntor o fusible de 15 A. Luego, presione **Encender/Apagar** para encender la lavadora.

PASO 6 Ejecutar un ciclo de prueba

Ejecute el ciclo de prueba como se explica a continuación para verificar si la lavadora está correctamente instalada.

1. Cargue aproximadamente 6 lb de ropa en el tambor.
2. Presione **Encender/Apagar** para poner en funcionamiento la lavadora.
3. Gire el **selector de ciclos** para seleccionar **RINSE+SPIN (ENJUAGAR+CENTRIFUGAR)**.
4. Mantenga presionado **Inicio/Pausa (Hold to Start (Mantenga presionado para iniciar))** para iniciar el ciclo de prueba.
5. La lavadora no debe balancearse ni vibrar de manera excesiva durante el suministro de agua o durante el lavado o centrifugado, y debe drenar bien durante el proceso de centrifugado.

NOTA

- Si hay fugas de agua durante el suministro o el drenaje del agua, verifique las conexiones. Consulte la sección "**Conectar la manguera de agua**" en la página 19.
- Si la lavadora se balancea y vibra de manera excesiva, vuelva a nivelarla. Consulte la sección "**Nivele la lavadora**" en la página 23.

Antes de comenzar

Configuración inicial

Ejecutar la calibración (recomendado)

La Calibración asegura que la lavadora detecte el peso con precisión. Asegúrese de que el tambor esté vacío antes de ejecutar la calibración.

1. Presione **Encender/Apagar** para poner en funcionamiento la lavadora.
2. Mantenga presionados simultáneamente **Temp. (Temperatura)** y **Delay End (Final Diferido)** durante 3 segundos.
3. Mantenga presionado **Inicio/Pausa (Hold to Start (Mantenga presionado para iniciar))** para iniciar la calibración.
 - El tambor gira hacia la derecha o hacia la izquierda durante 2 minutos aproximadamente.
4. Una vez finalizado, en la pantalla se muestra "0" y la lavadora se apaga automáticamente.

Pautas de lavado

PASO 1 Clasificar

Clasifique las prendas de acuerdo con los siguientes criterios:

- Etiqueta de cuidado: clasifique la ropa según su composición: algodón, mezclas, sintética, seda, lana y rayón.
- Color: Separe la ropa blanca de la de color.
- Tamaño: Mezclar prendas de distintos tamaños en el tambor mejora el desempeño del lavado.
- Sensibilidad: Lave las prendas delicadas por separado. Para las prendas nuevas de lana pura, cortinas y prendas de seda, verifique las etiquetas de las prendas.



NOTA

Antes de iniciar el lavado, lea las etiquetas de cuidado de la ropa y clasifique los artículos en consecuencia.

PASO 2 Vaciar los bolsillos

Vacíe los bolsillos de todas las prendas.

- Los objetos metálicos como monedas, clips y hebillas pueden dañar las otras prendas y el tambor.

Dé vuelta las prendas con botones o bordados

- Si los cierres de los pantalones o las chaquetas están abiertos durante el lavado, es posible que el tambor se dañe. Los cierres deben cerrarse y ajustarse con un cordón.
- Las prendas con cordones largos pueden enredarse con otras prendas. Asegúrese de sujetar los cordones antes de comenzar el lavado.

PASO 3 Utilizar una red para ropa

- Los sostenes (lavables con agua) se deben colocar dentro de una red para ropa. Las partes metálicas de los sostenes pueden atravesar la tela y dañar otras prendas.
- Es posible que las prendas de cashmilon y las prendas de gran tamaño y poco peso (p. ej. prendas con encaje, lencería, medias de nailon, telas sintéticas, etc.) floten en el agua durante el lavado y causen problemas a la lavadora. Utilice una red para ropa o lave estos artículos por separado.
- No lave la red sin ropa dentro de ella. Se podrían producir vibraciones anormales que podrían desplazar la lavadora y causar lesiones personales.

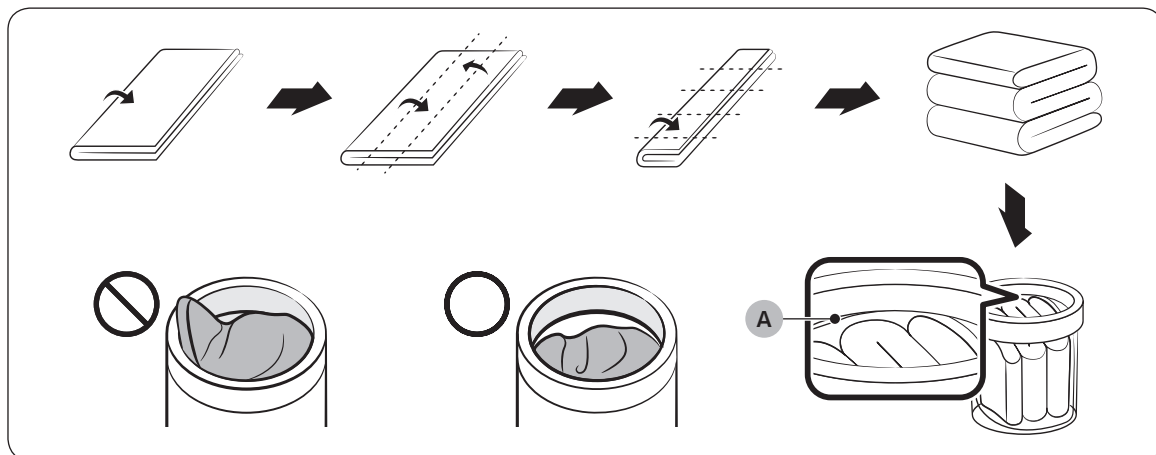
⚠ PRECAUCIÓN

Asegúrese de que las prendas que se hinchan (como cobijas y edredones rellenos de algodón o microfibra) se empapen de agua antes de ejecutar un ciclo.

- Las prendas que se hinchan pueden causar daños a la ropa o a la lavadora durante el proceso de lavado o secado.
- Independientemente del tamaño, las cobijas y los edredones están más seguros y quedan más limpios si se lava de a una sola prenda por vez. Dos cobijas de distinto tamaño en la misma carga pueden comprometer el proceso de centrifugado debido al desequilibrio de la carga.

Para ingresar una cobija

Doble la cobija como se muestra y luego colóquela debajo de la zona de plástico (A) del tambor.



Antes de comenzar

PASO 4 Prelavar (si es necesario)

- Para quitar las manchas y suciedades en cuellos, mangas, dobladillos y bolsillos, aplique detergente y cepille.
- Utilice detergentes en polvo o líquidos. No utilice jabón ya que este podría permanecer en el tambor después del lavado.
- Lave previamente calcetines, mangas y cuellos de color blanco con un poco de detergente y un cepillo.

PRECAUCIÓN

Asegúrese de que la ropa esté completamente dentro.

- Cualquier prenda que quede expuesta puede provocar daños a la máquina o a la ropa, o causar una fuga de agua.
- Asegúrese de que la ropa no sobrepase la zona de plástico del tambor.

PASO 5 Calcular la capacidad de carga

Asegúrese de que la ropa no sobrepase la zona de plástico del tambor. De lo contrario, puede provocar un mal funcionamiento o daños a la máquina o a la ropa, o causar una fuga de agua.

NOTA

Cuando se lave ropa de cama o cobertores, el tiempo de lavado se puede alargar o la eficacia del centrifugado puede reducirse.

Para ropa de cama o cobertores, se recomienda una capacidad de carga de 3.5 kg o menos.

PRECAUCIÓN

Si la carga está desequilibrada y el código de información "UB" se muestra en la pantalla, redistribuya la carga. Una carga desequilibrada puede disminuir el desempeño del centrifugado.

PASO 6 Agregar el tipo de detergente adecuado

El tipo de detergente adecuado depende del tipo de tejido (algodón, sintético, prendas delicadas, lana), color, temperatura de lavado y grado de suciedad. Use siempre detergente de alta eficacia (HE) y "baja espuma", diseñado para las lavadoras automáticas.

NOTA

- Siga las recomendaciones del fabricante del detergente en función del peso de la ropa, el grado de suciedad y la dureza del agua en su zona. Si desconoce la dureza del agua de su zona, comuníquese con las autoridades locales.
- No utilice un detergente que tenga tendencia a endurecerse o solidificarse. Este detergente puede permanecer durante el ciclo de enjuague y bloquear la salida de drenaje.

Utilice solo detergente de alta eficacia (HE)



La lavadora fue diseñada para usar detergentes de alta eficacia (HE, por su sigla en inglés).

- Para obtener un lavado de óptima calidad, use un detergente de alta eficacia, por ejemplo: Tide HE, Wisk HE, Cheer HE o Gain HE*. Los detergentes de alta eficacia contienen supresores que reducen o eliminan la espuma. Cuando se produce menos espuma, la carga se mueve con mayor eficacia y el lavado se maximiza. (*Los nombres de las marcas son marcas comerciales de sus respectivos fabricantes).

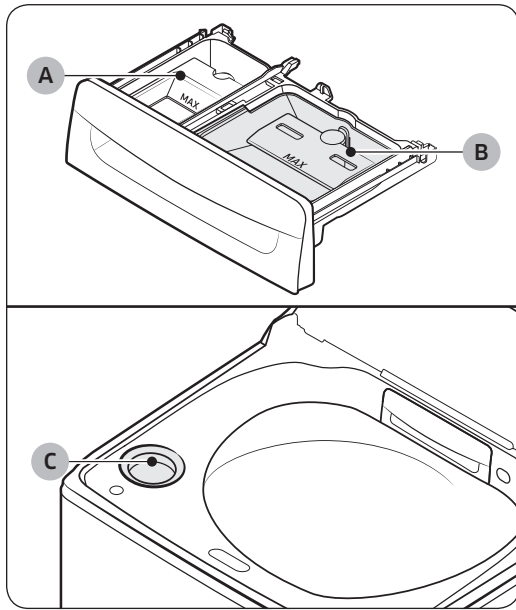
ADVERTENCIA

Para obtener mejores resultados, use únicamente detergentes de alta eficacia (HE). No utilice detergente de baja eficacia, detergente orgánico, detergente natural o detergentes de alta eficacia con ingredientes naturales (como vinagre o bicarbonato).

Antes de comenzar

Pautas para el cajón para detergente

La lavadora está equipada con un dosificador de dos compartimientos para detergente y suavizante. El compartimiento para el blanqueador está del lado izquierdo del tambor.



- A. Compartimiento para el suavizante:** Vierta la cantidad recomendada de suavizante en el compartimiento para el suavizante.
- B. Compartimiento para el detergente:** Agregue una cantidad recomendada de detergente líquido en el compartimiento. Para usar un detergente en polvo, retire el contenedor para detergente líquido. La lavadora no dosifica detergente en polvo desde el contenedor para detergente líquido.
- C. Compartimiento para el blanqueador:** Agregue el blanqueador según las instrucciones del fabricante.

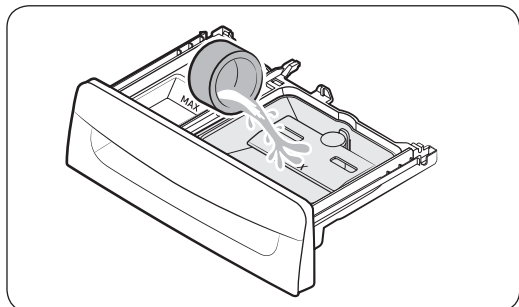
NOTA

- No vierta blanqueador con protección para ropa de color en el compartimiento para el blanqueador.
- Use el compartimiento para el suavizante solo para suavizantes de telas líquidos.

PRECAUCIÓN

- No abra el cajón para detergente mientras la lavadora se encuentra en funcionamiento.
- No coloque detergente en pastillas o cápsulas en el cajón para detergente. Colóquelas directamente dentro del tambor.
- No utilice detergentes en bola.
- Para impedir que el compartimiento se obstruya, diluya los productos concentrados o muy densos (suavizantes o detergentes) en agua antes de agregarlos.

Para agregar productos de lavado en el cajón para detergente



1. Abra la tapa.
2. Abra el cajón para detergente.
3. Agregue detergente líquido en el compartimiento para el detergente. Asegúrese de que el contenedor para detergente esté insertado.

NOTA

- No agregue detergente en polvo ni otros productos de lavado en polvo al contenedor para detergente líquido.
 - Para utilizar detergentes en polvo, consulte la sección **Para utilizar detergente en polvo** en la página 34.
4. Agregue suavizante para telas en el compartimiento para el suavizante.

PRECAUCIÓN

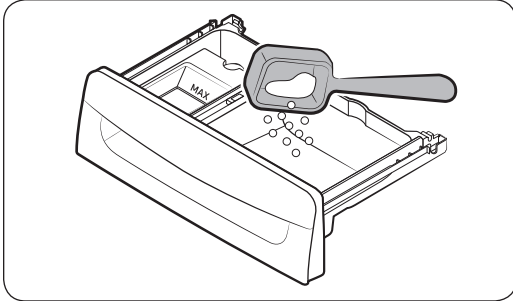
- No se recomienda el suavizante en polvo. Utilice solo suavizante líquido.
 - Antes de agregar suavizante concentrado, es necesario diluirlo.
 - No agregue detergente en el compartimiento para el suavizante.
5. Cierre el cajón para detergente.

NOTA

- No supere la línea de llenado máximo al utilizar agentes limpiadores.
- Es normal que al final del ciclo quede una pequeña cantidad de agua en los compartimientos para el detergente.
- Al agregar blanqueador para prendas de color, se recomienda utilizar un detergente líquido.

Antes de comenzar

Para utilizar detergente en polvo

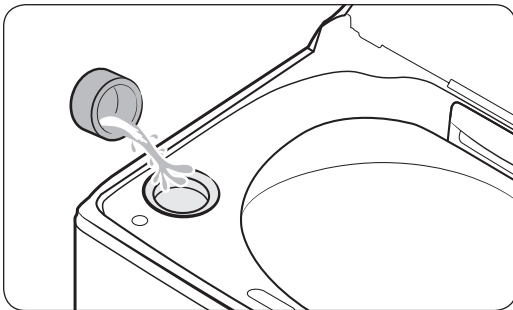


Primero retire el contenedor para detergente líquido provisto del compartimiento para el detergente. Luego, agregue detergente en polvo en el compartimiento para el detergente siguiendo las instrucciones del fabricante de detergente.

⚠ PRECAUCIÓN

No agregue detergente en polvo en el contenedor para detergente líquido.

Para utilizar el compartimiento para el blanqueador



Agregue solo blanqueador líquido con cloro en el compartimiento para blanqueador. No sobrepase la línea máxima.

⚠ PRECAUCIÓN

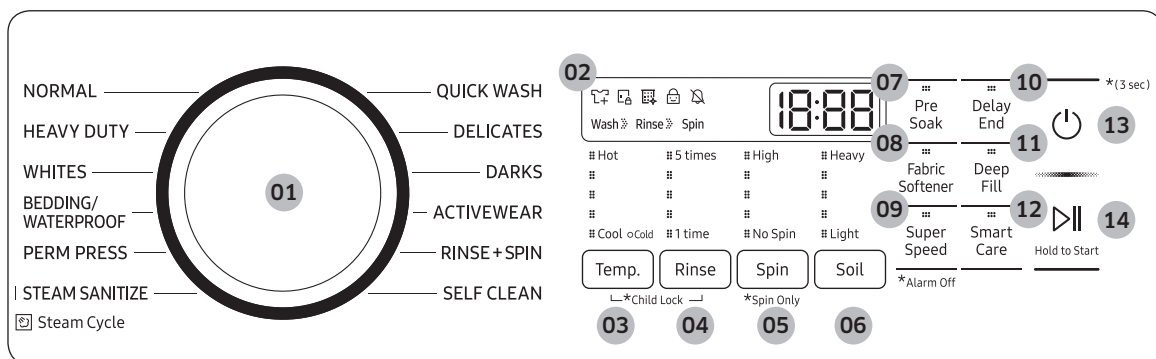
No agregue un blanqueador líquido que contenga cloro sin diluir directamente sobre la carga o dentro del tambor. Puede dañar las telas.

Funcionamiento

⚠ ADVERTENCIA

Para reducir el riesgo de incendio, descarga eléctrica o lesiones personales, lea **Información sobre seguridad** antes de poner en funcionamiento el electrodoméstico.


Panel de control



01 Selector de ciclos	Gire el disco para seleccionar un ciclo. (Para obtener más información sobre los ciclos de lavado, consulte la página 42).
02 Display	El display muestra información y tiempo restante del ciclo que se está ejecutando, o un código de información si la lavadora necesita revisión.
03 Temp. (Temperatura)	Presione para cambiar la temperatura del ciclo que se está ejecutando. <ul style="list-style-type: none"> • Hot (Caliente) (Nivel 5): Prendas muy sucias y que no destiñen. • (Nivel 4): Ropa blanca y prendas muy sucias de colores sólidos. • (Nivel 3): Prendas que no destiñen. • (Nivel 2): Prendas de colores vivos, ligeramente sucias. • Cool (Fresca) (Nivel 1): Prendas de colores vivos, ligeramente sucias. • Cold (Fría): Usa solo agua fría sin encender el calentador. No se suministra agua tibia.
04 Rinse (Enjuagar)	Presione para cambiar el número de enjuagues del ciclo que se está ejecutando.






Funcionamiento

<p>05 Spin (Centrifugar)</p>	<p>Presione para cambiar la velocidad de centrifugado del ciclo que se está ejecutando.</p> <ul style="list-style-type: none"> • High (Alto) (Nivel 5): Extiende el proceso de centrifugado para eliminar con eficacia la humedad de la carga. Este nivel utiliza un proceso de centrifugado más fuerte que elimina la humedad, por lo que no es adecuado para telas sin arrugas y que no necesitan planchado ni para sobrecargas. • (Nivel 4): Ropa interior, camisetas, jeans y algodones resistentes. • (Nivel 3): Jeans, prendas sin arrugas o que no necesitan planchado y telas sintéticas. • (Nivel 2): Prendas delicadas que necesitan una velocidad baja de centrifugado. • No spin (Sin centrifugado) (Nivel 1): El tambor no centrifuga después del proceso de drenaje final. <p>Enjuague en espera (Todos los indicadores apagados): El proceso de enjuague final se interrumpe para que la carga permanezca en el agua. Para sacar la ropa, ejecute el proceso de drenaje o de centrifugado.</p> <p>Spin Only (Centrifugar Solamente): Para ejecutar el ciclo Spin Only (Centrifugar Solamente), presione Spin (Centrifugar) durante 3 segundos. Cuando aparezcan el tiempo del ciclo y la velocidad de centrifugado, presione Spin (Centrifugar) repetidamente hasta que se seleccione la velocidad de centrifugado deseada. Luego, mantenga presionado Inicio/Pausa (Hold to Start (Mantenga presionado para iniciar)) para iniciar el ciclo. El tiempo de centrifugado depende del ciclo seleccionado.</p>
<p>06 Soil (Suciedad)</p>	<p>Presione para cambiar el nivel de suciedad del ciclo actual.</p> <ul style="list-style-type: none"> • Heavy (Muy sucia) (Nivel 5): Para prendas extremadamente sucias. • (Nivel 4): Para prendas muy sucias. • (Nivel 3): Para prendas moderadamente sucias. Esta opción es la mejor para la mayoría de las cargas. • (Nivel 2): Para prendas ligeramente sucias. • Light (Poco sucia) (Nivel 1): Para prendas apenas sucias.
<p>07 Pre Soak (Prerremojado)</p>	<p>Presione para agregar 18 minutos de tiempo de remojo al inicio del ciclo de lavado para una mejor remoción de manchas.</p>
<p>08 Fabric Softener (Suavizante de telas)</p>	<p>Presione para agregar un enjuague adicional al final del ciclo para una mejor remoción de los aditivos y perfumes del lavado.</p>

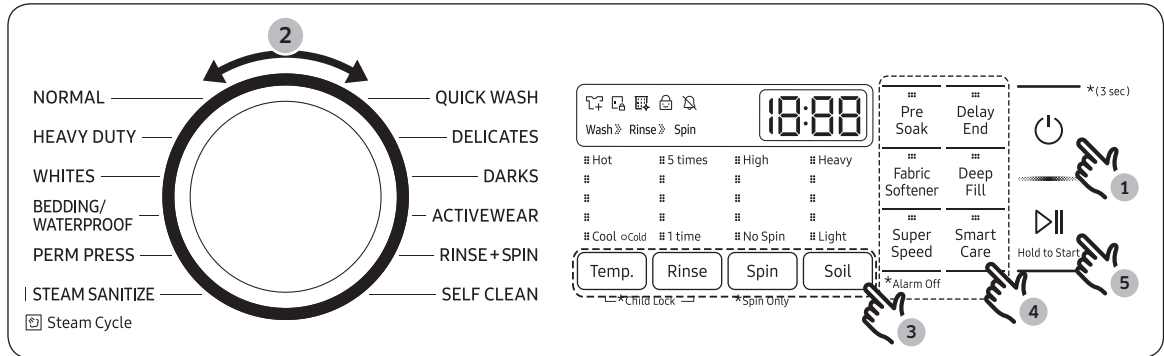
09 Super Speed (Supervelocidad)	Presione para acortar el tiempo de lavado de NORMAL , HEAVY DUTY (CARGA PESADA) o WHITES (ROPA BLANCA) . El tiempo acortado puede variar según el ciclo, la carga y las opciones.
10 Delay End (Final Diferido)	Configure la lavadora para que finalice el lavado automáticamente en otro momento. Puede elegir un tiempo de retardo de entre 1 y 24 horas (en incrementos de 1 hora). (Para obtener más información sobre Delay End (Final Diferido), consulte la página 45).
11 Deep Fill (Llenado profundo)	Use esta opción cuando se necesita más agua.  NOTA Con esta función, puede extender la duración del ciclo.
12 Smart Care	Esta función permite verificar el estado de la lavadora con un teléfono inteligente.
13 Encender/Apagar	Presione para encender o apagar la lavadora.
14 Inicio/Pausa (Hold to Start (Mantenga presionado para iniciar))	Mantenga presionado para iniciar el funcionamiento o presione para detenerlo temporalmente.

Funcionamiento

Descripción de íconos

	Garment+ (Más prendas)	<ul style="list-style-type: none">• Este ícono indica que puede agregar o quitar prendas luego de que un ciclo ha comenzado.• Para agregar o quitar prendas, presione Inicio/Pausa (Hold to Start (Mantenga presionado para iniciar)) para pausar el ciclo, y luego abra la tapa. Para reanudar el ciclo, cierre la tapa, y luego mantenga presionado Inicio/Pausa (Hold to Start (Mantenga presionado para iniciar)).
	Lid Lock (Bloqueo de tapa)	<ul style="list-style-type: none">• Este ícono indica que la tapa está bloqueada y no se puede abrir.• La tapa se bloquea automáticamente durante un ciclo y este ícono se enciende.• Puede abrir la tapa cuando este ícono desaparezca.
	Recordatorio de SELF CLEAN (LAVADO ECO DE TAMBOR)	<ul style="list-style-type: none">• Este ícono indica que se debe limpiar el tambor con el ciclo SELF CLEAN (LAVADO ECO DE TAMBOR).• Cada 20 ciclos, este ícono aparece durante una hora y luego se apaga automáticamente. Este ícono aparecerá durante 5 ciclos y no volverá a aparecer hasta completados otros 20 ciclos.
	Child Lock (Seguro para niños)	<ul style="list-style-type: none">• Este ícono indica que la función Child Lock (Seguro para niños) está activada.• Para obtener más información sobre el Child Lock (Seguro para niños), consulte la página 46.
	Alarm Off (Alarma apagada)	<ul style="list-style-type: none">• Este ícono indica que la alarma está apagada.

Sencillos pasos para comenzar



1. Presione **Encender/Apagar** para poner en funcionamiento la lavadora.
2. Gire el **selector de ciclos** para seleccionar el ciclo deseado.
3. Cambie los ajustes del ciclo (**Temp. (Temperatura)**, **Rinse (Enjuagar)**, **Spin (Centrifugar)** y **Soil (Suciedad)**) según sea necesario.
4. Seleccione las opciones deseadas según sea necesario.
5. Mantenga presionado **Inicio/Pausa (Hold to Start (Mantenga presionado para iniciar))**.

Para cambiar el ciclo durante el funcionamiento



1. Presione **Inicio/Pausa (Hold to Start (Mantenga presionado para iniciar))** para detener el funcionamiento.
2. Seleccione un ciclo diferente y repita los pasos 2 y 3 de arriba si es necesario.
3. Mantenga presionado **Inicio/Pausa (Hold to Start (Mantenga presionado para iniciar))** nuevamente para iniciar el nuevo ciclo.

Funcionamiento

Descripción de los ciclos

NOTA

La lavadora detecta el peso de las prendas y regula automáticamente el nivel del agua, tiempo de lavado, cantidad de enjuagues y tiempo de centrifugado óptimo. (Puede no aplicar para algunos ciclos).

Ciclo	Descripción
NORMAL	<ul style="list-style-type: none">Para ropa de algodón, de cama y de mesa, ropa interior, toallas o camisas. La duración del lavado y el número de enjuagues se ajustan automáticamente de acuerdo con la carga.
HEAVY DUTY (CARGA PESADA)	<ul style="list-style-type: none">Para prendas resistentes que no destiñen y prendas muy sucias.
WHITES (ROPA BLANCA)	<ul style="list-style-type: none">Para prendas blancas. Se puede lavar con o sin blanqueador.
BEDDING/WATERPROOF (ROPA DE CAMA/PRENDAS IMPERMEABLES)	<ul style="list-style-type: none">Para prendas grandes y voluminosas, como edredones, cobijas y sábanas, y prendas impermeables o resistentes al agua. Cuando lave edredones, utilice detergente líquido. <p> PRECAUCIÓN</p> <ul style="list-style-type: none">No lave prendas impermeables junto con otras prendas que no lo son.Revise la etiqueta del artículo para saber si es impermeable.Use el ciclo BEDDING/WATERPROOF (ROPA DE CAMA/PRENDAS IMPERMEABLES) para prendas impermeables o resistentes al agua como alfombrillas de plástico, pantalones de esquí, impermeables para la lluvia y edredones que apenas absorben agua.
PERM PRESS (PLANCHA PERMANENTE)	<ul style="list-style-type: none">Para telas sintéticas que no necesitan planchado y prendas ligera o moderadamente sucias.
STEAM SANITIZE (DESINFECCIÓN CON VAPOR)	<ul style="list-style-type: none">Para prendas muy sucias y que no destiñen. (menos de 14 lb). <p> NOTA</p> <p>Si pausa el funcionamiento mientras la lavadora se está calentando para el ciclo, la puerta permanecerá trabada por su seguridad.</p>
QUICK WASH (LAVADO RÁPIDO)	<ul style="list-style-type: none">Para prendas ligeramente sucias que se necesitan con urgencia.Para obtener el mejor desempeño, la carga recomendada es de 4 lb o menos.
DELICATES (DELICADOS)	<ul style="list-style-type: none">Para telas finas, sostenes, lencería (seda) y otras telas que deben lavarse únicamente a mano.Para obtener el mejor desempeño, use detergentes líquidos.
DARKS (ROPA OSCURA)	<ul style="list-style-type: none">Para prendas informales de colores vivos u oscuros.

Ciclo	Descripción
ACTIVEWEAR (ROPA DEPORTIVA)	<ul style="list-style-type: none">• Para ropa de ejercicio, como buzos y pantalones deportivos, camisetas y otras prendas de entrenamiento. Este ciclo proporciona una eliminación efectiva de la suciedad al realizar el lavado con suavidad para prendas que requieren un cuidado especial.
RINSE+SPIN (ENJUAGAR+CENTRIFUGAR)	<ul style="list-style-type: none">• Para cargas que solo requieren enjuague y centrifugado.• También puede seleccionar este ciclo para un proceso adicional de enjuague y centrifugado luego de ejecutar otro ciclo.
SELF CLEAN (LAVADO ECO DE TAMBOR)	<ul style="list-style-type: none">• Limpia el tambor al eliminar la suciedad y las bacterias presentes.• Ejecútelo una vez cada 20 lavados.• Asegúrese de que el tambor esté vacío.

Funcionamiento

Tabla de ciclos

Use esta tabla para configurar el mejor ciclo y las mejores opciones para su ropa.

NOTA

Ajuste	Temp. (Temperatura)	Rinse (Enjuagar)	Spin (Centrifugar)	Soil (Suciedad)
● : configuración de fábrica	5: Hot (Caliente) (Nivel 5)	5: 5 times (5 veces) (Nivel 5)	5: High (Alta) (Nivel 5)	5: Heavy (Muy sucia) (Nivel 5)
○ : se puede seleccionar	4: (Nivel 4)	4: (Nivel 4)	4: (Nivel 4)	4: (Nivel 4)
	3: (Nivel 3)	3: (Nivel 3)	3: (Nivel 3)	3: (Nivel 3)
	2: (Nivel 2)	2: (Nivel 2)	2: (Nivel 2)	2: (Nivel 2)
	1: Cool (Fría) (Nivel 1)	1: 1 time (1 vez) (Nivel 1)	1: No Spin (Sin centrifugado) (Nivel 1)	1: Light (Poco sucia) (Nivel 1)

WA54R7600	Temp. (Temperatura)					Rinse (Enjuagar)				
	5	4	3	2	1	5	4	3	2	1
NORMAL	○	○	●	○	○	○	○	○	○	○
HEAVY DUTY (CARGA PESADA)	-	●	○	○	○	○	○	○	○	○
WHITES (ROPA BLANCA)	-	●	○	○	○	○	○	○	○	○
DELICATES (DELICADOS)	-	-	○	○	●	○	○	○	○	○
PERM PRESS (PLANCHA PERMANENTE)	-	○	●	○	○	○	○	○	○	○
STEAM SANITIZE (DESINFECCIÓN CON VAPOR)	●	-	-	-	-	○	○	○	○	○
BEDDING/WATERPROOF (ROPA DE CAMA/ PRENDAS IMPERMEABLES)	-	○	●	○	○	○	○	○	○	○
SELF CLEAN (LAVADO ECO DE TAMBOR)	-	●	-	-	-	-	-	-	○	-
RINSE+SPIN (ENJUAGAR+CENTRIFUGAR)	-	-	-	-	-	○	○	○	○	○
ACTIVEWEAR (ROPA DEPORTIVA)	-	-	○	●	○	○	○	○	○	○
QUICK WASH (LAVADO RÁPIDO)	-	○	●	○	○	○	○	○	○	○
DARKS (ROPA OSCURA)	-	-	○	○	○	○	○	○	○	○

WA54R7600	Spin (Centrifugar)					Soil (Suciedad)				
	5	4	3	2	1	5	4	3	2	1
NORMAL	○	●	○	-	○	○	○	●	○	○
HEAVY DUTY (CARGA PESADA)	○	●	○	○	○	●	○	○	○	○
WHITES (ROPA BLANCA)	○	●	○	○	○	●	○	○	○	○
DELICATES (DELICADOS)	-	-	○	●	○	-	-	-	-	●
PERM PRESS (PLANCHA PERMANENTE)	○	●	○	○	○	○	○	●	○	○
STEAM SANITIZE (DESINFECCIÓN CON VAPOR)	○	●	○	○	○	●	-	-	-	-
BEDDING/WATERPROOF (ROPA DE CAMA/ PRENDAS IMPERMEABLES)	-	○	●	○	○	○	○	●	○	○
SELF CLEAN (LAVADO ECO DE TAMBOR)	-	-	●	-	-	-	-	-	-	-
RINSE+SPIN (ENJUAGAR+CENTRIFUGAR)	○	●	○	○	○	-	-	-	-	-
ACTIVEWEAR (ROPA DEPORTIVA)	-	○	●	○	○	-	-	○	●	○
QUICK WASH (LAVADO RÁPIDO)	○	●	○	○	○	○	○	○	○	●
DARKS (ROPA OSCURA)	○	●	○	○	○	○	○	●	○	○

WA54R7600	Opciones			
	Pre Soak (Prerremojado)	Fabric Softener (Suavizante de telas)	Deep Fill (Llenado profundo)	Super Speed (Supervelocidad)
NORMAL	○	○	-	○
HEAVY DUTY (CARGA PESADA)	○	○	○	○
WHITES (ROPA BLANCA)	○	○	○	○
DELICATES (DELICADOS)	-	○	○	-
PERM PRESS (PLANCHA PERMANENTE)	○	○	○	-
STEAM SANITIZE (DESINFECCIÓN CON VAPOR)	○	○	-	-
BEDDING/WATERPROOF (ROPA DE CAMA/ PRENDAS IMPERMEABLES)	○	○	-	-
SELF CLEAN (LAVADO ECO DE TAMBOR)	-	-	-	-
RINSE+SPIN (ENJUAGAR+CENTRIFUGAR)	-	○	○	-
ACTIVEWEAR (ROPA DEPORTIVA)	○	○	○	-
QUICK WASH (LAVADO RÁPIDO)	-	○	○	-
DARKS (ROPA OSCURA)	-	○	○	-

Funcionamiento

Funciones especiales

Chorro de agua (para prelavado)



Puede usar la función Active Waterjet (Chorro de agua) para lavar sus prendas a mano antes de colocarlas en la lavadora.

1. Presione **Encender/Apagar** para poner en funcionamiento la lavadora.
2. Abra la tapa.
3. Presione **Active Waterjet (Chorro de agua)** para suministrar agua.
4. Lave las prendas a mano.
5. Cuando haya terminado, presione **Active Waterjet (Chorro de agua)** nuevamente para detener el agua.

NOTA

Si desea lavar a mano mientras la lavadora está en funcionamiento, presione **Inicio/Pausa (Hold to Start (Mantenga presionado para iniciar))** para detener el funcionamiento y, luego, siga los pasos 1 a 4 de arriba.

NOTA

- La función Active Waterjet (Chorro de agua) se detiene automáticamente cuando la lavadora detecta el nivel máximo de agua.
- La función Active Waterjet (Chorro de agua) se detiene automáticamente después de 5 minutos de funcionamiento. Para agregar más agua, vuelva a presionar **Active Waterjet (Chorro de agua)**.
- Si la función Active Waterjet (Chorro de agua) se activa inmediatamente luego de encender la lavadora, ésta rociará agua durante 1 segundo antes de suministrar agua a través de la salida del chorro de agua.
- Para drenar el agua agregada por la función Active Waterjet (Chorro de agua), apague la alimentación. El agua se drenará automáticamente durante unos minutos, y podrá volver a encender la alimentación cuando se haya drenado toda el agua.

PRECAUCIÓN

- No bloquee la salida del Active Waterjet (chorro de agua) con las manos. Puede haber una fuga de agua del tambor y causar una falla del sistema.
- No use la función Active Waterjet (chorro de agua) para lavar zapatos, alimentos ni mascotas.

- Debido a las diferencias de presión del aire, el agua de Active Waterjet (chorro de agua) puede salpicar cuando se activa por primera vez.
- Asegúrese de que la tapa esté bien cerrada antes de comenzar una carga de ropa.

Final Diferido

Puede hacer que la lavadora finalice automáticamente el lavado más tarde al seleccionar un tiempo de retardo de entre 1 y 24 horas (en incrementos de 1 hora). La pantalla indica la hora a la que finalizará el lavado.

1. Seleccione un ciclo. Luego, cambie los ajustes del ciclo si es necesario.
2. Presione **Delay End (Final Diferido)** repetidamente hasta establecer la hora de finalización deseada.
3. Mantenga presionado **Inicio/Pausa (Hold to Start (Mantenga presionado para iniciar))**.
4. Para cancelar Delay End (Final Diferido), reinicie la lavadora presionando **Encender/Apagar**.

Ejemplo

Desea que un ciclo que dura 2 horas finalice dentro de 3 horas. Para ello, agregue la opción Delay End (Final Diferido) al ciclo que se está ejecutando con un ajuste de 3 horas y presione el botón **Inicio/Pausa (Hold to Start (Mantenga presionado para iniciar))** a las 2:00 p.m. La lavadora comienza a funcionar a las 3:00 p.m. y se detiene a las 5:00 p.m. A continuación se proporcionan los tiempos para este ejemplo.



Alarma Apagada

Puede encender o apagar el sonido de la alarma. Cuando la alarma está apagada, la melodía de finalización de ciclo y el pitido de apagado no suenan. No obstante, los sonidos de los botones y alertas seguirán encendidos.

- Para desactivar el sonido, mantenga presionado **Super Speed (Supervelocidad)** durante 3 segundos.
- Para activar el sonido, mantenga presionado el botón nuevamente durante 3 segundos.
- El ajuste se mantendrá incluso después de reiniciar la máquina.

Funcionamiento

ATC (control automático de la temperatura)

La función ATC permite a la lavadora controlar la temperatura del agua en cada ciclo de lavado mediante el termistor interno. Está diseñada para mantener ciertas temperaturas de lavado a fin de obtener los mejores resultados.

NOTA


- Si selecciona **NORMAL** o **HEAVY DUTY (CARGA PESADA)**, es posible que advierta que la lavadora suministra agua fría. Esto es normal, ya que la máquina está diseñada para reducir el consumo energético. En dichos ciclos, la temperatura del agua para el Nivel 5 es similar a una temperatura de agua de ducha y el Nivel 3 es similar a la temperatura agradable de una piscina.
- Para lavar prendas a una temperatura específica, primero debe elegir un ciclo diferente.

Seguro para niños

La función Child Lock (Seguro para niños) sirve para prevenir que los niños se asfixien dentro del tambor.

Activación de la función de Seguro para niños

Mantenga presionados simultáneamente **Temp. (Temperatura)** y **Rinse (Enjuagar)** durante 3 segundos.

- Cuando se activa la función Child Lock (Seguro para niños) parpadea el indicador  **Child Lock (Seguro para niños)**.


Uso de la función Seguro para niños

Si se abre la tapa cuando la función Child Lock (Seguro para niños) está activada, se muestra “dC” y suena una alarma.

- Si el nivel del agua del tambor es superior al nivel del agua de seguridad, se muestra “dC” en la pantalla LED y la lavadora inicia automáticamente el drenaje forzado del agua luego de 30 segundos.
- Si el nivel del agua del tambor es superior al nivel del agua de seguridad y se activó la función Child Lock (Seguro para niños) mientras la tapa está abierta, se muestra “CL” en la pantalla LED aunque la lavadora esté apagada y drene el agua por la fuerza.
- Cuando Child Lock (Seguro para niños) está activado y la lavadora está apagada, si el nivel del agua del tambor es superior al nivel de agua seguro y la tapa está abierta, se muestra “CL” en la pantalla LED. No suena ninguna alarma, pero la lavadora drene el agua. Cuando finaliza la operación de drenaje, la lavadora se vuelve a apagar de manera automática.
- Si activa la función Child Lock (Seguro para niños) mientras la lavadora está en funcionamiento, el botón **Inicio/Pausa (Hold to Start (Mantenga presionado para iniciar))** no funciona.
- Tras el drenaje obligatorio, “CL” parpadea en intervalos de 1 segundo y la lavadora entra en el modo “CL”. (Cuando la lavadora está en el modo “CL”, solo funciona el botón **Encender/Apagar**).
- Para cancelar el modo “CL”, apague la alimentación y vuelva a encenderla.
- Para cancelar el modo “dC”, desactive la función Child Lock (Seguro para niños). Para desactivar la función Child Lock (Seguro para niños), mantenga presionados simultáneamente **Temp. (Temperatura)** y **Rinse (Enjuagar)** durante 3 segundos como mínimo.

Desactivación de la función Seguro para niños

Mantenga presionados simultáneamente **Temp. (Temperatura)** y **Rinse (Enjuagar)** durante aproximadamente 3 segundos.

- Si se desactiva la función Child Lock (Seguro para niños), el indicador  de **Child Lock (Seguro para niños)** se apaga.
- La función Child Lock (Seguro para niños) impide que los niños o las personas discapacitadas pongan en funcionamiento la lavadora accidentalmente y se lesionen.

ADVERTENCIA

Si un niño entra a la lavadora, puede quedar atrapado y asfixiarse.

PRECAUCIÓN

- Una vez activada la función Child Lock (Seguro para niños), ésta continúa funcionando aunque la lavadora esté apagada.
- Abrir la tapa por la fuerza puede dañar el producto o causar lesiones personales.

NOTA

Para agregar ropa cuando la función Child Lock (Seguro para niños) está activada, primero se debe desactivar dicha función.

Smart Care

Para activar esta función, primero se debe descargar la aplicación Samsung Laundry en Play Store o en App Store e instalarla en un dispositivo móvil con la función de cámara. La función Smart Care se ha optimizado para las series Galaxy e iPhone (únicamente para los modelos aplicables).

1. Cuando la lavadora detecta un problema que requiere revisión, aparece un código de información en el display. Para ingresar el modo Smart Care, presione **Smart Care**.
2. La lavadora inicia el proceso de autodiagnóstico y muestra un código de información en caso de que detecte algún problema.
3. Ejecute la aplicación Samsung Laundry en su dispositivo móvil y, luego, toque **Smart Care**.
4. Coloque el dispositivo móvil cerca del display de la lavadora de manera que la cámara del teléfono inteligente quede frente a la lavadora. La aplicación reconocerá inmediatamente el código de información.
5. Cuando el código de información se reconoce correctamente, la aplicación proporciona información detallada sobre el problema y las soluciones aplicables.

NOTA

- El nombre de la función, Smart Care, puede variar según el idioma.
- Si en el display de la lavadora hay reflejos, es posible que la aplicación no reconozca el código de información.
- Si la aplicación no reconoce el código de información, puede ingresarlo manualmente en la aplicación.

Mantenimiento

Mantenga la lavadora limpia para lograr un mejor rendimiento y prolongar su vida útil.

ADVERTENCIA

Algunas piezas internas no están conectadas a tierra intencionalmente y pueden presentar riesgo de descarga eléctrica únicamente durante el servicio técnico. Personal del servicio técnico - No toque las siguientes piezas mientras el electrodoméstico está recibiendo electricidad: Panel de control, disipador térmico, motor, válvula de entrada, calentador y bomba.

Lavado eco de tambor

Algunos usos y condiciones ambientales pueden producir la acumulación de residuos u olor en el tambor de la lavadora. Para prevenir la acumulación de estos residuos u olor que producen bacterias y mantener el tambor de su lavadora fresco y limpio, ejecute el ciclo LAVADO ECO DE TAMBOR por lo menos una vez al mes o cada 20 ciclos. Realice el siguiente procedimiento cuando utilice el ciclo LAVADO ECO DE TAMBOR.

1. Retire todas las prendas del tambor de la lavadora y asegúrese de que el tambor quede vacío. Si deja prendas en el tambor durante el ciclo LAVADO ECO DE TAMBOR, estas pueden dañarse.
2. Presione **Encender/Apagar** para poner en funcionamiento la lavadora.
3. Gire el **selector de ciclos** para seleccionar **SELF CLEAN (LAVADO ECO DE TAMBOR)**.
4. Mantenga presionado **Inicio/Pausa (Hold to Start (Mantenga presionado para iniciar))**.

NOTA

- La temperatura del agua para el ciclo LAVADO ECO DE TAMBOR está configurada en Caliente de manera predeterminada. Esta temperatura no se puede cambiar.
- En caso de que el tambor de la lavadora contenga residuos, agregue 1 taza (8 oz líq., o 240 ml) de blanqueador líquido con cloro en el compartimiento para el blanqueador antes de comenzar el ciclo LAVADO ECO DE TAMBOR.
- No utilice ni mezcle ningún otro detergente o producto químico durante el ciclo LAVADO ECO DE TAMBOR. De ser necesario, ejecute el ciclo ENJUAGAR+CENTRIFUGAR luego de que finalice el ciclo LAVADO ECO DE TAMBOR para contribuir a eliminar cualquier residuo que pueda haber quedado.

PRECAUCIÓN

- Observe el tambor de la lavadora antes de usar el ciclo LAVADO ECO DE TAMBOR. Elimine el agua que haya quedado en el tambor ejecutando el ciclo CENTRIFUGAR SOLAMENTE antes de ejecutar el ciclo LAVADO ECO DE TAMBOR.
- La presencia prolongada de blanqueador con cloro en el tambor puede producir óxido.

Recordatorio de LAVADO ECO DE TAMBOR

- Luego de 20 ciclos de lavado, aparece el ícono del recordatorio de LAVADO ECO DE TAMBOR y la luz LED del ciclo LAVADO ECO DE TAMBOR parpadea en el panel de control durante una hora y luego se apaga automáticamente.
- El recordatorio aparecerá en el panel de control por 5 ciclos consecutivos más antes de apagarse. El próximo recordatorio no aparecerá hasta que se hayan completado otros 20 ciclos.

Limpeza del exterior

1. Cierre las llaves del agua después de finalizar el lavado del día. Esto cerrará el suministro de agua a la lavadora y evitará la improbable posibilidad de que se produzcan daños a causa de un derrame de agua. Deje la tapa abierta para que el interior de la lavadora pueda secarse.
2. Use un paño suave para limpiar todo el detergente, el blanqueador u otros derrames a medida que ocurran. Limpie lo siguiente tal como se recomienda:
 - Panel de control - Limpie con un paño suave y húmedo. No use polvos abrasivos ni paños de limpieza. No rocíe el panel directamente con limpiadores en aerosol.
 - Gabinete: lave con agua y jabón.

Limpeza del interior

Limpie el interior de la lavadora periódicamente para eliminar todo vestigio de suciedad, polvo, olor, moho, hongos o bacterias que pueda permanecer en la lavadora como consecuencia del lavado de ropa.

PRECAUCIÓN

El incumplimiento de estas instrucciones puede dar como resultado situaciones poco satisfactorias, tales como olor y/o manchas permanentes en la lavadora o en las prendas.

NOTA

Se pueden retirar los depósitos de agua dura si fuera necesario. Use un limpiador que en el rótulo indique que es seguro para lavadoras.

Mantenimiento luego de un período prolongado sin utilizar la lavadora

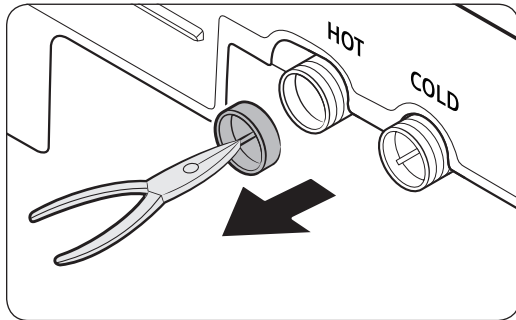
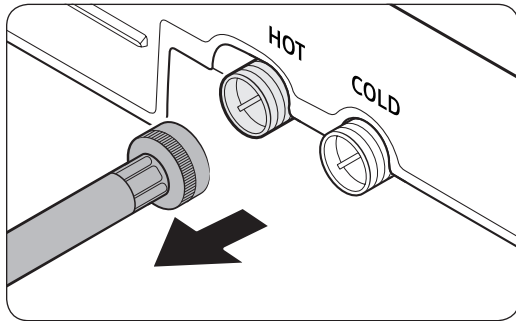
Evite dejar la lavadora inactiva durante un período de tiempo prolongado. Si no la va a utilizar durante mucho tiempo, siga las instrucciones a continuación:

1. Presione el botón **Encender/Apagar** y luego gire el **selector de ciclos** hasta **QUICK WASH (LAVADO RÁPIDO)**.
2. Vacíe el tambor y, luego, mantenga presionado **Inicio/Pausa (Hold to Start (Mantenga presionado para iniciar))**.
3. Luego de completado el ciclo, cierre las llaves de agua y desconecte las mangueras de agua.
4. Apague la lavadora y, luego, desenchufe el cable de alimentación.
5. Abra la puerta para que el aire circule por el tambor.

Mantenimiento

Limpieza del filtro de malla

Limpe los filtros de malla de las entradas de agua una o dos veces por año.

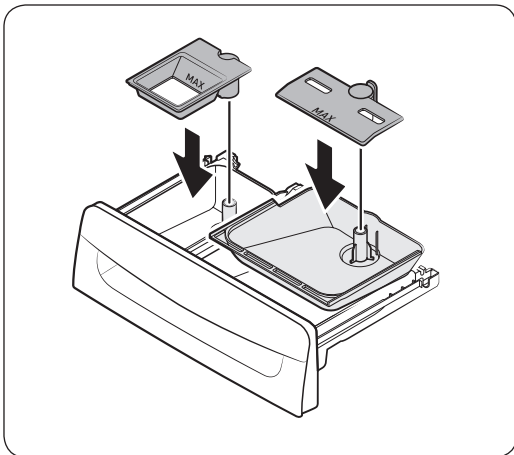
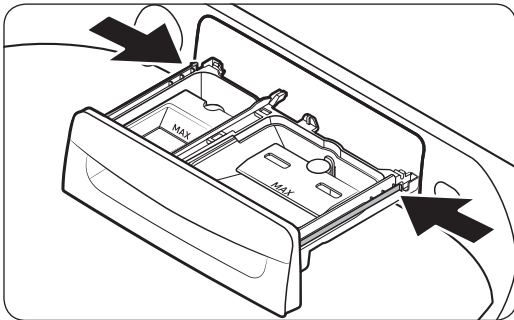
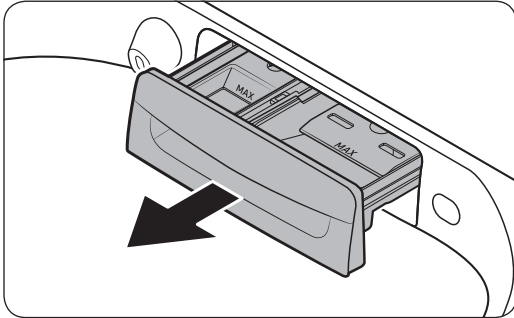


1. Apague la lavadora y, luego, desenchufe el cable de alimentación.
2. Cierre las llaves de agua.
3. Afloje y desconecte la manguera de agua de la parte trasera de la lavadora. Cubra la mangueras con un paño o toalla para evitar la fuga de agua.
4. Use unas pinzas para sacar el filtro de malla de la válvula de entrada.
5. Limpie exhaustivamente el filtro de malla con agua.
6. Seque el filtro de malla completamente. No deje secar bajo la luz directa del sol.
7. Vuelva a colocar el filtro de malla y, luego, reconecte la manguera de agua.
8. Abra la llave de agua.

NOTA

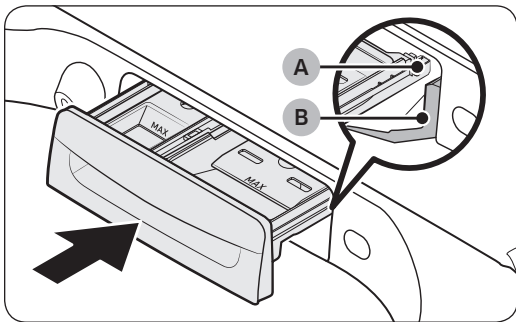
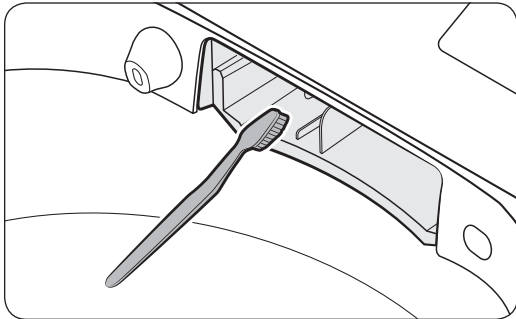
Si el filtro de malla está obstruido, aparece el código de información “4C” en la pantalla de la lavadora.

Limpieza del cajón del detergente



1. Abra por completo el cajón para detergente.
2. Para retirarlo, tire del cajón para detergente por los extremos laterales.
3. Retire los insertos de los compartimentos. Enjuague los insertos y el cajón con agua tibia y límpielos con un cepillo blando.

Mantenimiento



4. Limpie la abertura del cajón cuidadosamente con un cepillo pequeño y no metálico.
5. Coloque el inserto nuevamente en los compartimientos correspondientes. Reemplace el cajón al colocar el riel del cajón (A) en el riel del compartimento (B) mientras inclina el cajón hacia abajo.
6. Empuje completamente el cajón para cerrarlo.

Solución de problemas

Verificaciones

Si tiene algún problema con la lavadora, primero consulte la tabla siguiente y pruebe las sugerencias.

Problema	Acción
No enciende.	<ul style="list-style-type: none">• Asegúrese de que la corriente que provee el sistema eléctrico doméstico coincida con los requisitos de la lavadora. Consulte la página 16.• Verifique que el cable de alimentación esté completamente enchufado.• Revise el fusible o reinicie el disyuntor.• Si apagó la alimentación para drenar el agua agregada por la función Active Waterjet (Chorro de agua), no se volverá a encender hasta que se haya drenado todo el agua.
No se inicia.	<ul style="list-style-type: none">• Asegúrese de que la puerta esté cerrada.• Asegúrese de que las llaves de agua estén abiertas.• Asegúrese de presionar o tocar Inicio/Pausa (Hold to Start (Mantenga presionado para iniciar)) para iniciar el funcionamiento de la lavadora.• Asegúrese de que Child Lock (Seguro para niños) no esté activado.• Antes de que la lavadora comience a llenarse, se escuchará una serie de sonidos semejantes a un "clic" para controlar la traba de la puerta y luego se efectuará un drenaje rápido.• ¿Se abrió la puerta durante el ciclo de centrifugado? Cierre la puerta y presione o toque Inicio/Pausa (Hold to Start (Mantenga presionado para iniciar)) para reanudar el funcionamiento.• La máquina entra en estado de espera o está en un ciclo de remojo. Espere.• Revise el fusible o reinicie el disyuntor.

Solución de problemas

Problema	Acción
No se suministra agua.	<ul style="list-style-type: none"> • Asegúrese de presionar o tocar Inicio/Pausa (Hold to Start (Mantenga presionado para iniciar)) después de seleccionar el ciclo y las opciones. • Asegúrese de que las llaves de agua estén abiertas. • ¿Están obstruidos los filtros de malla de las entradas de agua? Limpie los filtros de malla usando un cepillo de dientes. Consulte la página 50. • ¿Hay suministro de agua? Si se cortó el suministro de agua, cierre la llave de agua y apague la lavadora. • Enderece las mangueras de suministro de agua. • Abra y cierre la puerta, luego presione o toque Inicio/Pausa (Hold to Start (Mantenga presionado para iniciar)). • Si la presión de agua es baja, el comienzo del lavado demora más tiempo. • Si el nivel del agua no es tan alto como se necesita o es inferior a lo esperado, utilice el selector de nivel para ajustar el nivel del agua.
Después de un ciclo, queda detergente en el dosificador automático.	<ul style="list-style-type: none"> • Asegúrese de que la lavadora funcione con suficiente presión de agua. • Asegúrese de que el cajón para detergente esté correctamente insertado. • Quite el cajón para detergente, límpielo y vuelva a intentarlo.
Vibra de manera excesiva o hace ruido.	<ul style="list-style-type: none"> • Asegúrese de que la lavadora se encuentre sobre un piso nivelado. Si el piso está desnivelado, use las patas niveladoras para ajustar la lavadora. • Asegúrese de que la lavadora no esté en contacto con ningún otro objeto. • Verifique que la carga de ropa sea equilibrada. • Asegúrese de que la ropa esté esparcida uniformemente en la lavadora. Esparza la ropa uniformemente y vuelva a comenzar. • Asegúrese de que no haya objetos en el espacio alrededor de la lavadora. • Se produce un zumbido normal durante el funcionamiento. • Los objetos como las monedas pueden generar ruidos. Retire estos objetos de la lavadora una vez finalizado el lavado.

Problema	Acción
Se detiene.	<ul style="list-style-type: none"> • Enchufe el cable de alimentación a un tomacorriente que funcione. • Revise el fusible o reinicie el disyuntor. • Cierre la puerta y presione o toque Inicio/Pausa (Hold to Start (Mantenga presionado para iniciar)) para activar la lavadora. Por su seguridad, la lavadora no centrifugará salvo que la puerta esté cerrada. • Antes de que la lavadora comience a llenarse, se escuchará una serie de sonidos semejantes a un "clic" para controlar la traba de la puerta y luego se efectuará un drenaje rápido. • Se puede producir una pausa o un período de remojo en el ciclo. Espere un instante para ver si la lavadora comienza a funcionar. • Asegúrese de que los filtros de la manguera de entrada en las llaves no estén obstruidos. Limpie los filtros periódicamente. Consulte la página 50. • Este problema puede producirse temporalmente debido a un voltaje bajo del sistema eléctrico de su casa. Se solucionará cuando el voltaje vuelva a ser normal.
Se llena con agua a una temperatura incorrecta.	<ul style="list-style-type: none"> • Abra por completo ambas llaves de agua. • Asegúrese de que la selección de temperatura sea la correcta. • Asegúrese de que las mangueras estén conectadas a las llaves correctas. Purgue las cañerías. • Desconecte las mangueras y limpie los filtros de malla. Los filtros de malla de la entrada de agua pueden estar obstruidos. Consulte la página 50. • Mientras la lavadora se llena, la temperatura del agua puede variar debido a que la función automática de control de la temperatura verifica la temperatura del agua que ingresa. Esto es normal. • Mientras la lavadora se llena, es posible que observe que por el dosificador pasa solo agua caliente y/o solo agua fría cuando se seleccionan las temperatura fría o tibia. Esta es una función normal que cumple el control de temperatura automático dado que la lavadora determina la temperatura del agua.
La puerta (tapa) está trabada o no se abre.	<ul style="list-style-type: none"> • Mientras la lavadora está funcionando, presione o toque Inicio/Pausa (Hold to Start (Mantenga presionado para iniciar)) para detener la lavadora. • Puede llevar algunos minutos que el mecanismo de cierre de la puerta se desconecte.

Solución de problemas

Problema	Acción
No drena y/o no centrifuga.	<ul style="list-style-type: none"> • Revise el fusible o reinicie el disyuntor. • Asegúrese de que el voltaje eléctrico sea normal. • Asegúrese de que la lavadora esté enchufada. • Asegúrese de que la manguera de drenaje esté dirigida hacia abajo. (Modelos de drenaje natural solamente) • Asegúrese de que la manguera de drenaje no esté obstruida. • Asegúrese de que la manguera de drenaje no esté enroscada. • Enderece la manguera de drenaje. Si existe alguna restricción en cuanto al drenaje, comuníquese con el servicio técnico. • Cierre la puerta y presione o toque Inicio/Pausa (Hold to Start (Mantenga presionado para iniciar)). Por su seguridad, la lavadora no centrifugará salvo que la puerta esté cerrada.
La carga está húmeda al finalizar el ciclo.	<ul style="list-style-type: none"> • Use el ciclo de velocidad de centrifugado Alto o Muy alto. (Únicamente para los modelos aplicables) • Use un detergente de alta eficacia (HE, por su sigla en inglés) para reducir la formación de espuma en exceso. • La carga es demasiado pequeña. Las cargas pequeñas (una o dos prendas) se pueden desequilibrar y no centrifugarse en absoluto.
Pierde agua.	<ul style="list-style-type: none"> • Asegúrese de que todas las conexiones de las mangueras estén ajustadas. • Asegúrese de que las arandelas de goma de las mangueras de suministro de agua estén en la posición correcta. Ajústela nuevamente. • Asegúrese de que el extremo de la manguera de drenaje esté correctamente conectado y asegurado al sistema de drenaje. • Evite sobrecargar la lavadora. • Use un detergente de alta eficacia (HE, por su sigla en inglés) para evitar la formación de espuma en exceso. • Asegúrese de que la manguera de suministro de agua no esté enroscada. • Si la presión del suministro de agua es demasiado fuerte, es posible que se produzcan fugas de agua. Cierre un poco la llave de agua. • Asegúrese de que no haya fugas de agua desde la llave. Si las hay, repare la llave de agua.



Problema	Acción
Exceso de espuma.	<ul style="list-style-type: none"> • Use un detergente de alta eficacia (HE, por su sigla en inglés) para evitar la formación de espuma en exceso. • Reduzca la cantidad de detergente para el agua blanda, las cargas pequeñas o ligeramente sucias. • No se recomienda un detergente de baja eficacia.
La cesta de centrifugado o la manguera de drenaje/ suministro está congelada.	<ul style="list-style-type: none"> • Utilice agua tibia para desconectar la manguera de suministro o la manguera de drenaje. Remójelas en agua tibia. • Llene la cesta de centrifugado con agua tibia y, luego, espere aproximadamente 10 minutos. • Coloque una toalla caliente sobre el conector de la manguera de drenaje. • Vuelva a conectar la manguera de suministro de agua y la manguera de drenaje y verifique si se suministra agua correctamente.
El agua se drena inmediatamente.	<ul style="list-style-type: none"> • Asegúrese de que la manguera de drenaje no esté obstruida y que esté colgada en el gancho para la manguera. Llene la cesta de centrifugado con agua hasta la mitad e intente centrifugar de nuevo. • Levante el extremo de la manguera de drenaje para evitar que el agua se drene. Llene la cesta de centrifugado con agua hasta la mitad y, luego, ejecute el ciclo de centrifugado después de liberar la manguera de drenaje. • Asegúrese de que la manguera de drenaje esté instalada correctamente. Consulte la sección de instalación de este manual del usuario y ajuste la posición de la manguera de drenaje según se indica.
Hay manchas en la ropa.	<ul style="list-style-type: none"> • Seleccione el ciclo adecuado para las prendas. Use el ciclo HEAVY DUTY (CARGA PESADA) para prendas manchadas. • Agregue la cantidad de detergente que se recomienda en las instrucciones del fabricante. • Limpie regularmente el filtro mágico (si se provee con la lavadora).
Tiene olor.	<ul style="list-style-type: none"> • El exceso de espuma se acumula en los huecos y puede causar malos olores. • Ejecute un ciclo de SELF CLEAN (LAVADO ECO DE TAMBOR) periódicamente para desinfectar. • Seque el interior de la lavadora una vez finalizado el ciclo.


Si el problema persiste, comuníquese con un centro de servicio local de Samsung.

Solución de problemas

Códigos de información

La lavadora puede mostrar códigos de información para ayudarle a comprender mejor cuál es el problema.

Código	Significado
1C	<p>El sensor de nivel de agua no está funcionando bien.</p> <ul style="list-style-type: none">• Apague la lavadora, desenchúfela, aguarde 30 segundos y vuelva a enchufarla. Si el código de información permanece, comuníquese con un centro de servicio al cliente de Samsung. <p> NOTA</p> <p>Si en la pantalla se muestra "1C", la lavadora drenará automáticamente durante 3 minutos. Durante este tiempo, el botón Encender/Apagar no funciona.</p>
3C	<p>Verifique el funcionamiento del motor.</p> <ul style="list-style-type: none">• Pruebe reiniciar el ciclo.• Si el problema continúa, llame al servicio técnico.
4C	<p>No se suministra agua.</p> <ul style="list-style-type: none">• Asegúrese de que las llaves de agua estén abiertas.• Asegúrese de que las mangueras de agua no estén obstruidas.• Asegúrese de que las llaves de agua no estén congeladas.• Asegúrese de que la lavadora funcione con suficiente presión de agua.• Asegúrese de que las llaves del agua fría y caliente estén conectadas correctamente.• Limpie el filtro de malla ya que puede estar obstruido.• Asegúrese de que las mangueras de agua no estén enroscadas. <p> NOTA</p> <p>Si en la pantalla se muestra "4C", la lavadora drenará automáticamente durante 3 minutos. Durante este tiempo, el botón Encender/Apagar no funciona.</p>
4C2	<ul style="list-style-type: none">• Asegúrese de que la manguera de suministro de agua fría esté firmemente conectada a la llave del agua fría. Si está conectada a la llave del agua caliente, las prendas pueden dañarse cuando se ejecutan algunos ciclos.
5C	<p>El agua no drena.</p> <ul style="list-style-type: none">• Asegúrese de que la manguera de drenaje no esté congelada ni obstruida.• Asegúrese de que la manguera de drenaje esté correctamente posicionada, según el tipo de conexión.• Limpie el filtro de residuos de malla ya que puede estar obstruido.• Asegúrese de que la manguera de drenaje esté completamente enderezada hasta el sistema de drenaje.• Apague la lavadora, desenchúfela, aguarde un minuto y vuelva a enchufarla. Si el código de información permanece, comuníquese con un centro de servicio al cliente de Samsung.

Código	Significado
9C1	<p>Se debe revisar el control electrónico (Error de sobrevoltaje).</p> <ul style="list-style-type: none"> • Revise si la alimentación se suministra normalmente. • Apague la lavadora, desenchúfela, aguarde un minuto y vuelva a enchufarla. Si el código de información permanece, comuníquese con un centro de servicio al cliente de Samsung.
9C2	<p>Se detectó voltaje bajo.</p> <ul style="list-style-type: none"> • Verifique que el cable de alimentación esté enchufado. • Apague la lavadora, desenchúfela, aguarde un minuto y vuelva a enchufarla. Si el código de información permanece, comuníquese con un centro de servicio al cliente de Samsung.
AC6	<p>Problema de comunicación del inversor.</p> <ul style="list-style-type: none"> • Apague la lavadora, desenchúfela, aguarde un minuto y vuelva a enchufarla. Si el código de información permanece, comuníquese con un centro de servicio al cliente de Samsung.
dC	<p>La lavadora funciona con la puerta abierta.</p> <ul style="list-style-type: none"> • Asegúrese de que la puerta esté perfectamente cerrada. • Asegúrese de que no quede ropa trabada en la puerta.
HC	<p>Verificación de temperatura alta.</p> <ul style="list-style-type: none"> • Apague la lavadora, desenchúfela, aguarde un minuto y vuelva a enchufarla. Si el código de información permanece, comuníquese con un centro de servicio al cliente de Samsung.
LC	<p>Verifique la manguera de drenaje.</p> <ul style="list-style-type: none"> • Asegúrese de que el extremo de la manguera de drenaje esté correctamente posicionado. • Asegúrese de que la manguera de drenaje no esté obstruida. • Apague la lavadora, desenchúfela, aguarde un minuto y vuelva a enchufarla. Si el código de información permanece, comuníquese con un centro de servicio al cliente de Samsung. <p> NOTA</p> <p>Cuando en la pantalla se muestra “LC”, la lavadora se drena durante 3 minutos. Durante este tiempo, el botón Encender/Apagar no funciona.</p>
OC	<p>El agua se desborda.</p> <ul style="list-style-type: none"> • Reinicie después del centrifugado. • Apague la lavadora, desenchúfela, aguarde un minuto y vuelva a enchufarla. Si el código de información permanece, comuníquese con un centro de servicio al cliente de Samsung.

Solución de problemas

Código	Significado
PC	Cuando no se puede detectar la posición del embrague. <ul style="list-style-type: none">• Apague la lavadora, desenchúfela, aguarde un minuto y vuelva a enchufarla. Si el código de información permanece, comuníquese con un centro de servicio al cliente de Samsung.
PC1	Después de detectar la posición del embrague, si la señal Hall del embrague es incorrecta. <ul style="list-style-type: none">• Apague la lavadora, desenchúfela, aguarde un minuto y vuelva a enchufarla. Si el código de información permanece, comuníquese con un centro de servicio al cliente de Samsung.
Ub	No centrifuga. <ul style="list-style-type: none">• Asegúrese de que la ropa esté esparcida uniformemente.• Asegúrese de que la lavadora esté sobre una superficie plana y estable.• Redistribuya la carga. Si solo lava una prenda, por ejemplo una bata de baño o un par de jeans, el resultado del centrifugado final puede no ser satisfactorio y aparecerá el mensaje de verificación "Ub" en la pantalla.
Ur	Mostrar para enjuague adicional. <ul style="list-style-type: none">• Mostrar enjuague adicional al detectar desequilibrio.• Método de liberación de la pantalla.• Cualquier entrada de tecla.
8C	Revise el sensor MEMS. <ul style="list-style-type: none">• Apague la lavadora. Espere 2-3 minutos, ponga la lavadora en marcha y vuelva a intentarlo.• Si el problema continúa, llame al servicio técnico.





Para los códigos que no figuran más arriba, llame al 1-800-726-7864 (1-800-SAMSUNG).

Especificaciones

Tabla de indicaciones sobre telas

Los siguientes símbolos ofrecen indicaciones acerca de las prendas. La etiqueta de indicaciones de la prenda incluye símbolos para secado, blanqueado, secado y planchado, o limpieza en seco cuando son necesarios. El uso de símbolos garantiza la consistencia entre los fabricantes textiles de artículos nacionales e importados. Siga las indicaciones de la etiqueta para optimizar la vida útil de la prenda y reducir los problemas del lavado.

Ciclo de lavado

	Normal
	Plancha permanente/Antiarrugas/ Control de arrugas
	Prendas suaves/delicadas
	Lavado a mano

Temperatura del agua




...	Caliente
..	Tibia
.	Fría

NOTA



Representa las temperaturas del agua del lavado apropiadas para diversas prendas. El rango de temperatura para Hot (Caliente) es de 105° a 125 °F / 41° a 52 °C, para Warm (Tibia) es de 85° a 105 °F / 29° a 41 °C y para Cold (Fría) es de 60° a 85 °F / 16° a 29 °C. (La temperatura del agua del lavado debe alcanzar un mínimo de 60 °F / 16 °C para que se active el detergente y se logre un lavado eficaz).

La lavadora no puede garantizar estas temperaturas porque la temperatura real del agua que ingresa en la lavadora depende de la configuración del calentador de agua y de las temperaturas del suministro de agua regional. Por ejemplo, el agua fría que ingresa en las casas de los Estados del Norte durante el invierno puede ser de 40 °F / 4 °C, que es demasiado fría para que se logre un lavado eficaz. En este caso, será preciso ajustar la temperatura del agua seleccionando la opción de temperatura cálida, agregando algo de agua caliente hasta la línea MAX FILL (Llenado máximo) o usando la opción de calentamiento de la lavadora, si se dispone de ella.




Blanqueador

	Cualquier blanqueador (cuando sea necesario)
	Solo blanqueador sin cloro (protección del color) (si es necesario)
	Secar en secadora

Normal

	Plancha permanente/Antiarrugas/ Control de arrugas
	Prendas suaves/delicadas

Instrucciones especiales




	Secar colgado/tender
	Colgar para que escurra
	Secar en posición horizontal

Especificaciones







Ajuste del calor

	Alto
	Medio
	Bajo
	Cualquier calor
	Sin calor/aire






Temperaturas de secado con plancha o vapor

	Alta
	Media
	Baja

Símbolos de advertencia para el lavado

	No lavar
	No retorcer
	No usar blanqueador
	No secar en secadora
	Sin vapor (agregado a la plancha)
	No planchar

Limpiar en seco

	Limpiar en seco
	No limpiar en seco
	Secar colgado/tender
	Colgar para que escurra
	Secar en posición horizontal

Ayuda al medioambiente

- Esta lavadora se fabrica con materiales reciclables. Si decide deshacerse de ella, siga la normativa local relacionada con la eliminación de desechos. Corte el cable de alimentación para que el electrodoméstico no pueda conectarse a una fuente de alimentación. Quite la tapa para que los animales y los niños pequeños no puedan quedar atrapados dentro de la máquina.
- No utilice cantidades de detergente superiores a las recomendadas por los fabricantes de detergentes.
- Utilice productos quitamanchas y blanqueadores antes del ciclo de lavado solo cuando sea necesario.
- Ahorre agua y electricidad utilizando solo la capacidad total de la lavadora (la cantidad exacta depende del programa que se utilice).

Declaración de conformidad

Este electrodoméstico cumple con la norma UL2157.

Hoja de especificaciones

Tipo		Lavadora de carga superior	
Nombre del modelo		WA54R7600A*	
Presión de agua (psi (kPa))		20-116 (137-800)	
Revolución del centrifugado		750 rpm	
Peso NETO (lb (kg))		134 (61)	
Consumo de potencia	Lavado	120 V	700 W
	Lavado y calentamiento		1440 W

Garantía limitada (Estados Unidos)

LAVADORA SAMSUNG

GARANTÍA LIMITADA AL COMPRADOR CONSUMIDOR ORIGINAL CON PRUEBA DE COMPRA

El presente producto de la marca SAMSUNG, tal como lo provee y distribuye SAMSUNG ELECTRONICS AMERICA, INC. (SAMSUNG) y lo entrega como nuevo, en su caja de cartón original al comprador consumidor original, está garantizado por SAMSUNG contra defectos de fabricación de los materiales o la mano de obra durante el período limitado de la garantía, a partir de la fecha original de compra, de:

Un (1) año para las piezas y la mano de obra,

Tres (3) años para las piezas del tambor inoxidable (solo repuestos),

Diez (10) años para el motor DD (solo repuestos)

La presente garantía limitada es válida únicamente para productos comprados y usados en Estados Unidos que fueron instalados, operados y mantenidos de acuerdo con las instrucciones adjuntas o provistas con el producto. Para recibir el servicio técnico en garantía, el comprador debe comunicarse con SAMSUNG en la dirección o el teléfono que figuran más abajo con el fin de que se determine el problema y los procedimientos del servicio. El servicio técnico de la garantía solo puede ser prestado por un centro de servicio técnico autorizado de SAMSUNG. Para recibir el servicio técnico en garantía debe presentarse la factura original de compra fechada cuando así lo solicite SAMSUNG o el Centro de Servicio autorizado Samsung como prueba de compra.

Samsung brindará servicio técnico a domicilio dentro del territorio contiguo de Estados Unidos durante el período de garantía sin cargo, sujeto a la disponibilidad de los centros de servicio autorizados por SAMSUNG dentro de la zona geográfica del cliente. Si el servicio técnico a domicilio no está disponible, SAMSUNG puede, a su elección, optar por transportar el producto hasta y desde un centro de servicio técnico autorizado. Si el producto está ubicado en una zona en la que no se encuentra disponible ningún centro de servicio autorizado por SAMSUNG, usted podrá ser responsable del cargo por transporte o se le podrá requerir que transporte el producto a un centro de servicio autorizado por SAMSUNG para recibir asistencia técnica.

Para recibir el servicio técnico a domicilio, el producto no debe presentar obstrucciones y debe ser accesible para el agente del servicio técnico.

Durante el periodo de garantía aplicable, el producto se reparará o se reemplazará, o se devolverá el importe de compra, a la entera discreción de SAMSUNG. SAMSUNG podrá usar piezas nuevas o reacondicionadas para la reparación del producto, o reemplazar el producto por un producto nuevo o reacondicionado. La vigencia de la garantía de las piezas y los productos reemplazados será por el período restante de la garantía original del producto o por un período de noventa (90) días, el que sea el más largo. Todas las piezas y los productos reemplazados son propiedad de SAMSUNG y deben ser devueltos a SAMSUNG.

La presente garantía limitada cubre defectos de fabricación de los materiales o la mano de obra que ocurran durante el uso normal y doméstico de este producto y no cubrirá lo siguiente: daños que ocurran durante el envío, entrega e instalación y usos para los cuales el presente producto no fue destinado; daños causados por modificación o alteración no autorizada del producto; producto cuyos números de serie originales de fábrica fueron eliminados, desfigurados, alterados en algún modo o que no se puedan determinar fácilmente; daños cosméticos incluyendo rayones, hendiduras, abolladuras y otros daños al acabado del producto; daño causado por abuso o mal uso, plagas, accidente, incendio, inundación u otros casos fortuitos o de fuerza mayor; daño causado por el uso de equipo, utilidades, servicios, piezas, suministros, accesorios, aplicaciones, instalaciones, reparaciones, cableado externo o conectores no provistos ni autorizados por SAMSUNG; daño causado por línea eléctrica o voltaje incorrecto, fluctuaciones y sobretensión; daño causado por no operar y mantener el producto de acuerdo con las instrucciones; instrucción a domicilio acerca de cómo usar el producto; y servicio técnico para corregir una instalación que no cumpla con los códigos eléctricos o de plomería o corrección de cableado eléctrico o tuberías (es decir, cableado doméstico, fusibles o mangueras de entrada de agua). El costo de reparación o reemplazo bajo estas circunstancias excluidas será responsabilidad del cliente.

Las visitas de un proveedor de servicio técnico autorizado para explicar funciones, mantenimiento o instalación del producto no se cubren bajo esta garantía limitada. Comuníquese con Samsung al número que figura abajo para obtener ayuda con cualquiera de estos problemas.

EXCLUSIÓN DE GARANTÍAS IMPLÍCITAS

LAS GARANTÍAS IMPLÍCITAS, INCLUYENDO GARANTÍAS IMPLÍCITAS DE COMERCIABILIDAD O APTITUD PARA UN PROPÓSITO EN PARTICULAR, ESTÁN LIMITADAS A UN AÑO O AL PERIODO MÁS CORTO PERMITIDO POR LA LEY. Algunos estados no permiten limitaciones en cuanto al periodo de vigencia de una garantía implícita, de tal forma que las limitaciones o exclusiones mencionadas tal vez no se apliquen a usted en particular. Esta garantía le otorga derechos específicos, e incluso usted también puede tener otros derechos que varían de un estado a otro.

Garantía limitada (Estados Unidos)

LIMITACIÓN DE RECURSOS

EL ÚNICO Y EXCLUSIVO RECURSO ES LA REPARACIÓN DEL PRODUCTO, EL REEMPLAZO DEL PRODUCTO O LA DEVOLUCIÓN DEL IMPORTE DE COMPRA, A DISCRECIÓN DE SAMSUNG, CONFORME A ESTA GARANTÍA LIMITADA. SAMSUNG NO SERÁ RESPONSABLE POR DAÑOS ESPECIALES, IMPREVISTOS O DERIVADOS, INCLUYENDO ENTRE OTROS, TIEMPO FUERA DEL TRABAJO, HOTELES Y/O COMIDAS EN RESTAURANTES, GASTOS DE REMODELACIÓN, PÉRDIDAS DE INGRESOS O GANANCIAS, INCAPACIDAD DE GENERAR AHORROS U OTROS BENEFICIOS INDEPENDIENTEMENTE DE LA TEORÍA LEGAL EN LA QUE SE BASE EL RECLAMO, E INCLUSO SI SAMSUNG HA SIDO ADVERTIDA DE LA POSIBILIDAD DE DICHOS DAÑOS. Algunos estados no permiten la exclusión o la limitación de daños imprevistos o derivados, por lo que las limitaciones o exclusiones mencionadas tal vez no se apliquen a usted en particular. Esta garantía le otorga derechos específicos, e incluso usted también puede tener otros derechos que varían de un estado a otro.

SAMSUNG no garantiza el funcionamiento ininterrumpido o sin errores del producto. Ningún aval o garantía otorgados por otra persona, compañía o corporación con respecto al presente producto revestirá carácter vinculante para SAMSUNG.

Para obtener el servicio de garantía, comuníquese con SAMSUNG en:

Samsung Electronics America, Inc.

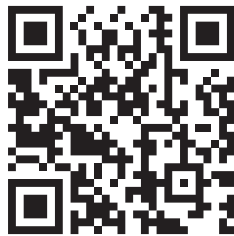
85 Challenger Road

Ridgefield Park, NJ 07660

1-800-SAMSUNG (726-7864)

www.samsung.com/us/support

Notas



Scan the QR code* or visit
www.samsung.com/spsn
to view our helpful
How-to Videos and Live Shows

*Requires reader to be installed on your smartphone

Scan this with your smartphone

¿PREGUNTAS O COMENTARIOS?

PAÍS	LLAME AL	O VISÍTENOS EN LÍNEA EN
U.S.A	1-800-SAMSUNG (726-7864)	www.samsung.com/us/support

