



WA456DRHDSU

4.5 cu. ft. VRT™ Top Load Washer

Features

- 4.5 cu. ft. Capacity*
- VRT Quiet Operation, Perfect for 2nd Floor Installation
- Diamond Drum™ – For Gentler Washing
- PureCycle™ – A Washer that Cleans Itself
- Direct Drive Motor
- 1000 RPM Maximum Spin Speed
- 11 Preset Wash Cycles
- 6 Options

Convenience

- Add A Garment Option
- End-Of-Cycle Signal
- Delay Start – Up to 19 Hours
- Automatic Dispensers: Main Wash, Bleach, Fabric Softener
- Drum Light

Energy Star Rated:

Rated CEE Tier
MEF=2.5
WF=3.6
185 kWh / year



Ranked **“Highest in Customer Satisfaction with Clothes Washers”** by J.D. Power and Associates. **



11 Cycles



6 Options

AjMadison.com
Your Appliance Authority
800-570-3355

Signature Features

Available Colors



Note: All models with Bright Chrome Trim

AquaJet™ A Thorough and Gentle Wash

AquaJet™ cleaning technology uses water jets to thoroughly wash and rinse your family's biggest loads.

Smart Care Convenient

Instant troubleshooting for your washer. Perform quick diagnosis and get access to troubleshooting solutions on your smartphone*.

Glass Doors / Capacity

More Capacity Fits more wash – so you can do fewer loads. Our super 4.5 cu. ft. capacity top-load washer easily handles 2.4 laundry baskets full of clothes.

** Samsung received the highest numerical score for clothes washers (2009-2010) and dryers (2008-2010) in the proprietary J.D. Power and Associates Laundry Appliance Studies™. 2010 study based on 10,344 total responses measuring 17 brands and measures opinions of consumers who purchased their washer or dryer from a retail store or their new-home builder during the previous 24 months. Proprietary study results are based on experiences and perceptions of consumers surveyed in March-April 2010. Your experiences may vary. Visit jdpower.com.

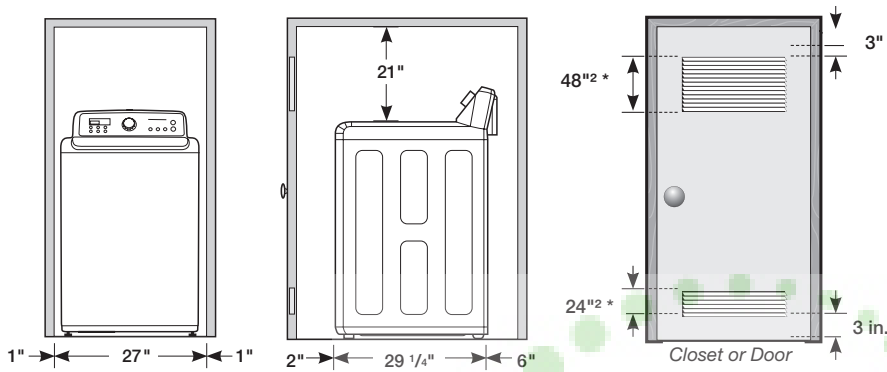


WA456DRHDSU

4.5 cu. ft. VRT™ Top Load Washer

Installing your washer

Alcove or closet installation



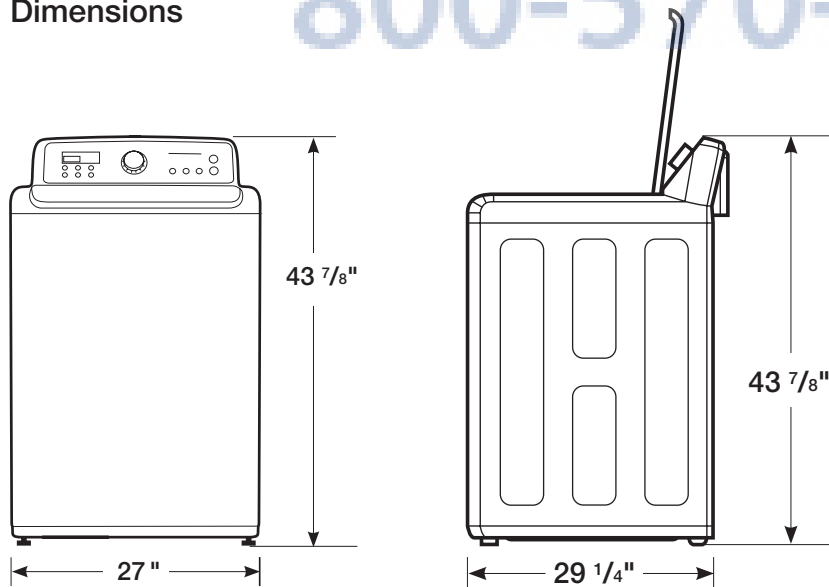
Minimum clearances for closets and alcove:

- Sides - 1"
- Top - 21"
- Rear - 6"
- Closet Front - 2"

If the washer and dryer are installed together, the closet front must have at least a 72 in² (465cm²) unobstructed air opening. Your washer alone does not require a specific air opening.

* Required spacing
 ** External exhaust elbow requires additional space.

Dimensions



Fabric Care

11 Preset Wash Cycles

Normal, Heavy Duty, Permanent Press, Bedding, Colors/Darks, Active Wear, Delicates/Handwash, Quick Wash, Pure Cycle, Rinse+Spin, Spin Only

6 Options

Delay Start-Up to 19 Hours, My Cycle, Pre Soak, Garment+, Eco Plus, AquaJet™

5 Temperature Settings

Hot, Warm, Eco Warm, Cold, Tap Cold

4 Spin Speeds

High, Medium, Low, No Spin

3 Soil Levels

Heavy, Normal, Light

2 Signal Sound Levels:

On, Off

Warranty

- One (1) Year All Parts and Labor
- Two (2) Years Control Board
- Three (3) Years Stainless Steel Tub
- Ten (10) Years Motor

Product Dimensions + Weight

Dimensions: (WxHxD) 27" x 43 7/8" x 29 1/4"
 Weight: 122.2 lbs / 56 kg

Shipping Dimensions + Weight

Dimensions: (WxHxD) 29 1/2" x 46 1/2" x 31"
 Weight: 133.9 lbs / 61 kg

| Color | Model # | UPC Code |
|------------|-------------|--------------|
| Neat White | WA456DRHDWR | 036725590458 |
| Platinum | WA456DRHDSU | 036725590502 |

Matching Dryer (Electric/Gas)

| | | |
|------------|-------------|--------------|
| Neat White | DV456EWHDWR | 036725590465 |
| Neat White | DV456GWHDWR | 036725590472 |
| Platinum | DV456EWHDSU | 036725590519 |
| Platinum | DV456GWHDSU | 036725590526 |

*3.86 cu. ft. measured as per Department of Energy

Actual color may vary. Design, specifications, and color availability are subject to change without notice. Non-metric weights and measurements are approximate.

©2012 Samsung Electronics America, Inc. 85 Challenger Road Ridgefield Park, NJ 07660. Tel: 800-SAMSUNG www.samsung.com. Samsung is a registered trademark of Samsung Electronics Co. Ltd.