



WA400PJHDWR

4.0 cu. ft. VRT™ Top Load Washer

Features

- 4.0 cu. ft. Capacity*
- VRT Quiet Operation, Perfect for 2nd Floor Installation
- Diamond Drum™ – For Gentler Washing
- PureCycle™ – A Washer that Cleans Itself
- Direct Drive Motor
- 800 RPM Maximum Spin Speed
- 9 Preset Wash Cycles
- 5 Options

Convenience

- Add A Garment Option
- End-Of-Cycle Signal
- Delay Start – Up to 19 Hours
- Automatic Dispensers: Main Wash, Bleach, Fabric Softener

Energy Star Rated:

Rated CEE Tier 3
MEF=2.4
WF=3.6
199 kWh / year



9 Cycles



5 Options

AjMadison
Your Appliance Authority™
800-570-3355

Signature Features

Available Colors



Neat White

Bedding

A cycle specifically designed to get large bulky items such as comforters thoroughly clean.

VRT™ Vibration Reduction Technology

Virtually silent washing thanks to special sensors that keep the drum perfectly balanced even at high spin speeds.

PureCycle™ A washer that cleans itself

Clean your drum with the touch of a button to ensure a fresh, clean drum without detergent.



Ranked **"Highest in Customer Satisfaction with Clothes Washers"** by J.D. Power and Associates. **

** Samsung received the highest numerical score for clothes washers (2009-2010) and dryers (2008-2010) in the proprietary J.D. Power and Associates Laundry Appliance Studies™. 2010 study based on 10,344 total responses measuring 17 brands and measures opinions of consumers who purchased their washer or dryer from a retail store or their new-home builder during the previous 24 months. Proprietary study results are based on experiences and perceptions of consumers surveyed in March-April 2010. Your experiences may vary. Visit jdpower.com.

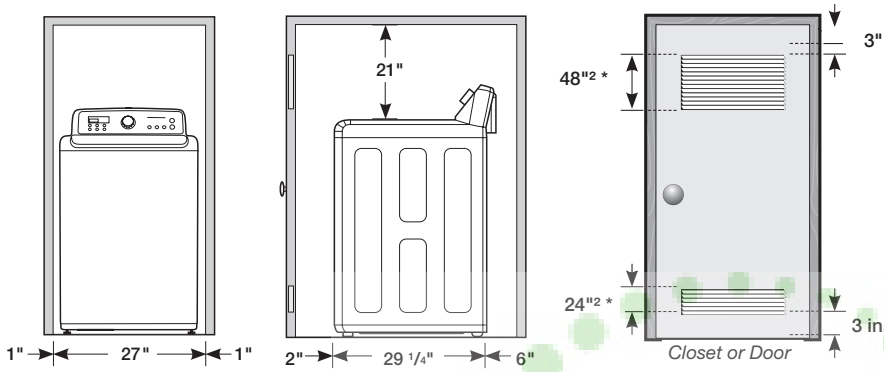


WA400PJHDWR

4.0 cu. ft. VRT™ Top Load Washer

Installing your washer

Alcove or closet installation



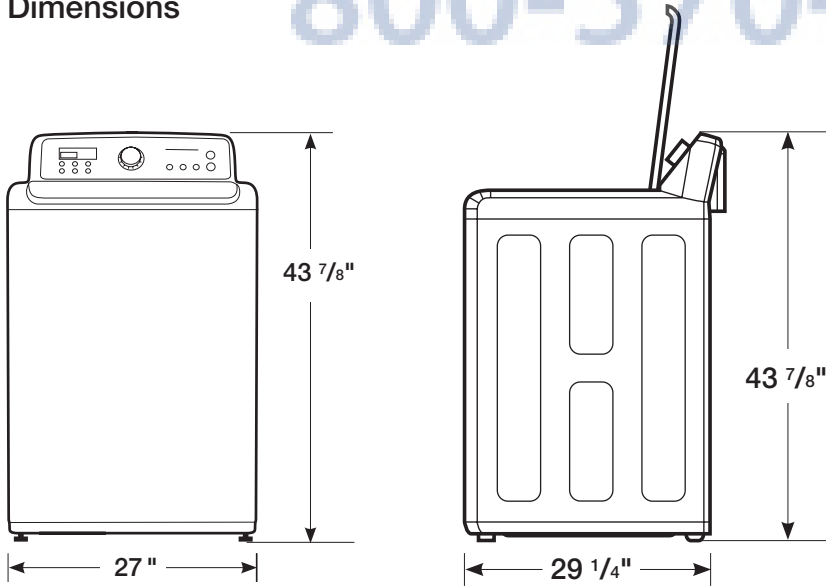
Minimum clearances for closets and alcove:

- Sides - 1"
- Top - 21"
- Rear - 6"
- Closet Front - 2"

If the washer and dryer are installed together, the closet front must have at least a 72 in² (465cm²) unobstructed air opening. Your washer alone does not require a specific air opening.

* Required spacing
 ** External exhaust elbow requires additional space.

Dimensions



Fabric Care

9 Preset Wash Cycles

Normal, Heavy Duty, Permanent Press, Bedding, Delicates/Handwash, Quick Wash, Pure Cycle, Rinse+Spin, Spin Only

5 Options

Delay Start-Up to 19 Hours, My Cycle, Pre Soak, Extra Rinse, Garment+

5 Temperature Settings

Hot, Warm, Eco Warm, Cold, Tap Cold

3 Spin Speeds

Extended, Normal, No Spin

3 Soil Levels

Heavy, Normal, Light

2 Signal Sound Levels:

On, Off

Warranty

- One (1) Year All Parts and Labor
- Two (2) Years Control Board
- Three (3) Years Stainless Steel Tub
- Ten (10) Years Motor

Product Dimensions + Weight

Dimensions: (WxHxD) 27" x 43 7/8" x 29 1/4"
 Weight: 117.8 lbs / 54 kg

Shipping Dimensions + Weight

Dimensions: (WxHxD) 29 1/2" x 46 1/2" x 31"
 Weight: 129.5 lbs / 59 kg

Color	Model #	UPC Code
Neat White	WA400PJHDWR	036725590427

Matching Dryer (Electric/Gas)

Neat White	DV400EWHDR	036725590434
Neat White	DV400GWHDR	036725590441

*3.86 cu. ft. measured as per Department of Energy

Actual color may vary. Design, specifications, and color availability are subject to change without notice. Non-metric weights and measurements are approximate.

©2012 Samsung Electronics America, Inc. 85 Challenger Road Ridgefield Park, NJ 07660. Tel: 800-SAMSUNG www.samsung.com. Samsung is a registered trademark of Samsung Electronics Co. Ltd.