

Top-Mount Refrigerator

W8TXEGFY



Key Features

- 20% ENERGY-STAR® Qualified Tier I Rating
- SpillMizer™ Glass Shelves
- Up Front Temperature Controls
- Clear Meat Pantry
- Field-Installable Icemaker
- ADA Compliant*



AjMadison
Your Appliance Authority™
800-570-3355



* Model meets applicable ADA requirements and must be installed in compliance with the 2010 ADA Standards.



Top-Mount Refrigerator

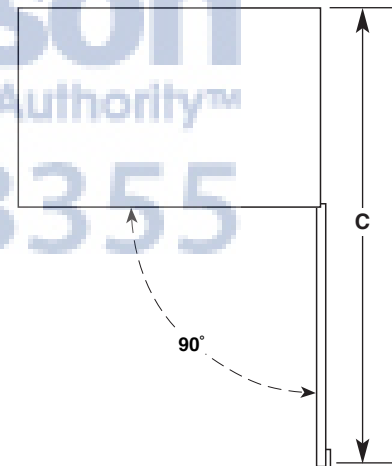
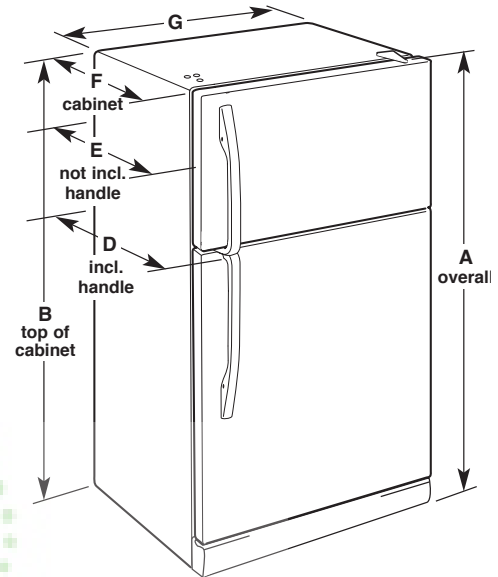
W8TXEGFY

Specifications

CAPACITY	
Total Volume (cu. ft.)	17.6
Refrigerator Volume (cu. ft.)	13.52
Freezer Volume (cu. ft.)	4.07
Total Shelf Area (sq. ft.)	19.1
ENERGY STAR® Qualified	Yes - Tier I
REFRIGERATOR	
Adjustable SpillMizer™ Glass Shelves	2
Fixed Door Storage	2 Full Width, 1 Partial Width
Gallon Door Storage	Yes
Dairy Bin	Yes
Premium Lighting	1-40 Watt
Up-Front Temperature Controls	Yes
FREEZER	
Removable Shelf	Yes - Wire
Door Storage	2 Full Width, Fixed
Automatic Icemaker	Optional (Part #ECKMF94)
GENERAL INFORMATION	
Door Type	Flat - Texture
Door Handle(s)	Bow - Short Tall
Accu-Chill™ System	Yes
Adaptive Defrost System	Yes
Foam-in-Place Doors	Yes
Double Tub Construction	Yes
Krystal Kote Cabinet	Yes
Reversible Doors	Yes
Auto Exterior Moisture Control	Yes
Adjustable Rubber Rollers/Levelers	Yes
Approx. Shipping Weight (lbs.)	220
COLOR AVAILABILITY	
	W,B

W-White and B-Black

Dimensions



DIMENSIONS		
A	Height - Overall	67 7/8
	Height - Top of Cabinet	67 3/8
B	Cabinet Width	28
C	Depth Including Handles (depth including handles and brackets on back of cabinet)	32 7/8
D	Depth Less Door and Base Grille (minimum width of any doorway refrigerator must pass through)	27 3/4
E	Depth Extreme Swing of Door (depth with door open 90°)	57

All dimensions are shown in inches.

Dimensions are for planning purposes only.
For complete details, see Installation Instructions packed with product.
Specifications subject to change without notice.