

# Whirlpool® 30" Gas Cooktop

## W5CG3024X



### Key Features

- 5,000 BTU AccuSimmer® burner's advanced technology allows for precise temperature control that is perfect for melting chocolate or simmering sauces.
- Our cooktops feature easy-to-clean knobs that are dishwasher safe to keep your cooktop looking like new.
- Continuous, cast-iron, matte finish grates.
- Sealed burners are easy to clean and prevent food from dropping down into the burner area.
- One 9,200 BTU burner offers plenty of heat for everyday cooking tasks.
- Two 12,500 BTU Power™ burners give you more cooking power whenever you need it.
- Can be installed over a single built-in wall oven for added installation flexibility.
- Meets ADA push/pull force and reach range guidelines.



**Madison**  
Your Appliance Authority™  
800-570-3355



# Whirlpool® 30" Gas Cooktop

## W5CG3024X

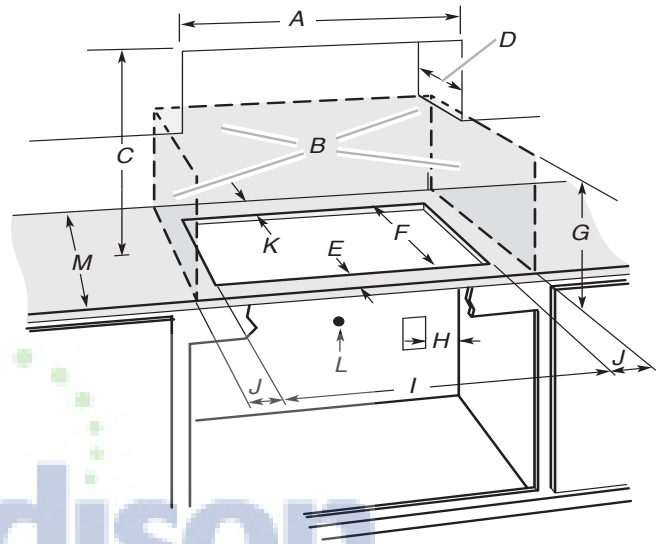
### Specifications

COOKTOP MATERIAL	
Porcelain (B,W) / Stainless (S)	Yes
BURNER DETAIL	
Ignition Type	Electronic
Number of Burners	4
Burner Type	Sealed Gas
Left Front Burner High Na (BTU)	5000
Right Front Burner High Na (BTU)	12500
Left Rear Burner High Na (BTU)	12500
Right Rear Burner High Na (BTU)	9200
Grate Material	Matte Finish
ELECTRICAL REQUIREMENTS	
Voltage	120
Amperage	15
DIMENSIONS	
Overall Height	3 3/4
Overall Width	31 7/16
Overall Depth	21
Cutout Width	29
Cutout Depth	19
All dimensions are shown in inches.	
COLOR AVAILABILITY	
W, T, B, S	

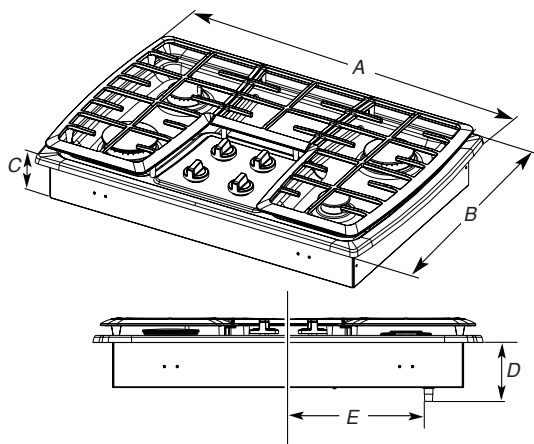
\* W-White, T-Biscuit, B-Black and S-Stainless Steel

### Dimensions

**IMPORTANT:** If installing a range hood or microwave hood combination above the cooktop, follow the range hood or microwave hood combination installation instructions for dimensional clearances above the cooktop surface.



- A. 30" (76.2 cm) on 30" models; 36" (91.4 cm) on 36" models
- B. Combustible area above countertop (shown by dashed box above)
- C. 30" (76.2 cm) minimum clearance between top of cooktop platform and bottom of uncovered wood or metal cabinet (24" [61 cm] minimum clearance if bottom of wood or metal cabinet is covered by not less than 1/4" [0.6 cm] flame retardant millboard covered with not less than No. 28 MSG sheet steel, 0.015" [0.04 cm] stainless steel, or 0.024" [0.06 cm] aluminum or 0.020" [0.05 cm] copper)
- D. 13" (33 cm) recommended upper cabinet depth
- E. 3 1/8" (7.9 cm)
- F. 19" (48.3 cm)
- G. 18" (45.7 cm) minimum clearance from upper cabinet to countertop within minimum horizontal clearances to cooktop
- H. Grounded outlet - Locate within 24" (61 cm) of right rear corner of cutout (with no undercounter built-in oven installed below cooktop)
- I. 29" (73.7 cm) on 30" models; 35 1/4" (89.5 cm) on 36" models
- J. 8 3/8" (21.3 cm) minimum distance to nearest left and right side combustible surface
- K. 2 7/8" (7.3 cm) minimum distance to rear combustible surface
- L. Gas line opening - Wall: Anywhere 5" (12.7 cm) below underside of countertop. Cabinet floor: anywhere within 6" (15.2 cm) of rear wall is recommended (with no undercounter built-in oven installed below cooktop)
- M. 25" (63.5 cm) minimum countertop depth is required



- A. 31 7/16" (79.8 cm)
- B. 21" (53.3 cm)
- C. 3 1/2" (8.9 cm)
- D. 4 19/32" (11.7 cm)
- E. 11" (27.9 cm)

**NOTES:** After making the countertop cutout, some installations may require notching down the base cabinet side walls to clear the cooktop base. To avoid this modification, use a base cabinet with sidewalls wider than the cutout.

If cabinet has a drawer, a 4" (10.2 cm) depth clearance from the countertop to the top of the drawer (or other obstruction) in base cabinet is required. The drawer depth may need to be shortened to avoid interfering with the regulator.

**IMPORTANT:** If an undercounter built-in wall oven is to be installed below this cooktop, the grounded outlet (H) and gas supply piping must be located in an adjacent cabinet.

This cooktop and its gas and electrical supply sources must be installed before the undercounter built-in wall oven is installed.

Dimensions are for planning purposes only.  
For complete details, see Installation Instructions packed with product.  
Specifications subject to change without notice.