

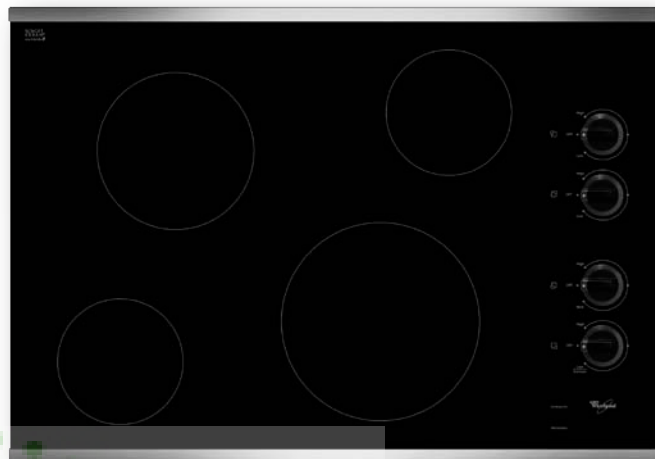
Whirlpool® 30" Electric Cooktop

W5CE3024X



Key Features

- Eco-Friendly Schott Ceran® Cooktop is easy to clean and won't crack or chip with intense heat.
- Dishwasher-Safe Knobs
- 9" Radiant Element
- 7" Radiant Element
- (2) 6" Radiant Elements
- Hot Surface Indicator Light
- Can be installed over a single built-in wall oven for added installation flexibility.



AjMadison
Your Appliance Authority™
800-570-3355



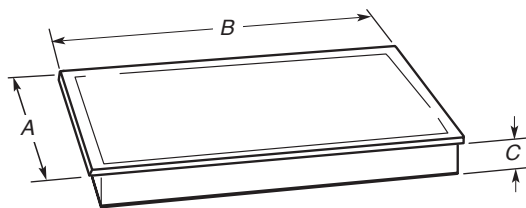
Whirlpool® 30" Electric Cooktop

W5CE3024X

Specifications

COOKTOP MATERIAL	
Ceramic Glass	Yes
ELEMENT DETAIL	
Number of Elements	4
Left Front Size (in)	6
Left Front Power (watts)	1,200
Right Front Size (in)	9
Right Front Power (watts)	2,500
Left Rear Size (in)	7
Left Rear Power (watts)	1,800
Right Rear Size (in)	6
Right Rear Power (watts)	1,200
COOKING SURFACE CONTROLS	
Power On Indicator Light	Yes
Hot Surface Indicator Light(s)	Yes
ELECTRIC COOKTOP FEATURES	
Simmer Burner	Yes
ELECTRICAL REQUIREMENTS	
Voltage	240
Circuit Amps@240VAC	40
DIMENSIONS	
Overall Height	3 3/4
Overall Width	30 13/16
Overall Depth	21 3/4
Cutout Width	29 1/2
Cutout Depth	20 1/2
All dimensions are shown in inches.	
COLOR AVAILABILITY	
	W, B, S

*W-White, B-Black and S-Stainless Steel

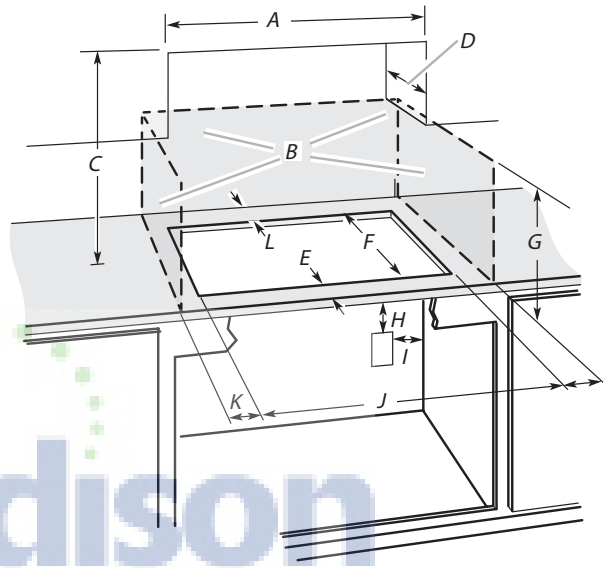


- A. 21 3/4" (55.2 cm)
- B. 30" (76.2 cm) models - 30 13/16" (78.4 cm)
36" (91.4 cm) models - 36 5/16" (92.3 cm)
- C. 3 3/4" (9.5 cm)

Dimensions are for planning purposes only.
For complete details, see Installation Instructions packed with product.
Specifications subject to change without notice.

Dimensions

IMPORTANT: If installing a range hood or microwave hood combination above the cooktop, follow the range hood or microwave hood combination installation instructions for dimensional clearances above the cooktop surface.



- A. 30" (76.2 cm) on 30" models; 36" (91.4 cm) on 36" models
- B. Combustible area above countertop (shown by dashed box above)
- C. 30" (76.2 cm) minimum clearance between top of cooktop platform and bottom of uncovered wood or metal cabinet (24" [61 cm] minimum clearance if bottom of wood or metal cabinet is covered by not less than 1/4" [0.6 cm] flame retardant millboard covered with not less than No. 28 MSG sheet steel, 0.015" [0.04 cm] stainless steel, or 0.024" [0.06 cm] aluminum or 0.020" [0.05 cm] copper)
- D. 13" (33 cm) recommended upper cabinet depth
- E. 2" (5.1 cm)
- F. 20 1/2" +/- 1/16" (52.0 +/- 0.16 cm)
- G. 18" (45.7 cm) minimum clearance from upper cabinet to countertop within minimum horizontal clearances to cooktop
- H. Junction box or outlet: 7" (17.8 cm) minimum from top of countertop
- I. Junction box or outlet: 9" (23.0 cm) maximum from right side of cabinet
- J. 29 1/2" +/- 1/16" (74.9 +/- 0.16 cm) on 30" (76.2 cm) models
35 1/2" + 1/16" / - 15/16" (90.2 cm + 0.16 cm / - 2.38 cm) on 36" (91.4 cm) models
- K. 1" (2.5 cm) minimum distance to nearest left and right side combustible surface above cooktop
- L. 1" (2.5 cm) minimum clearance between back wall and countertop

NOTES: After making the countertop cutout, some installations may require notching down the base cabinet side walls to clear the cooktop base. To avoid this modification, use a base cabinet with sidewalls wider than the cutout.

If cabinet has a drawer, a 5 1/2" (14.0 cm) depth clearance from the top of the countertop to the top of the drawer (or other obstruction) in base cabinet is required.