

# Washing Machine

W 3037



# Washing Machine W 3037



## FEATURES

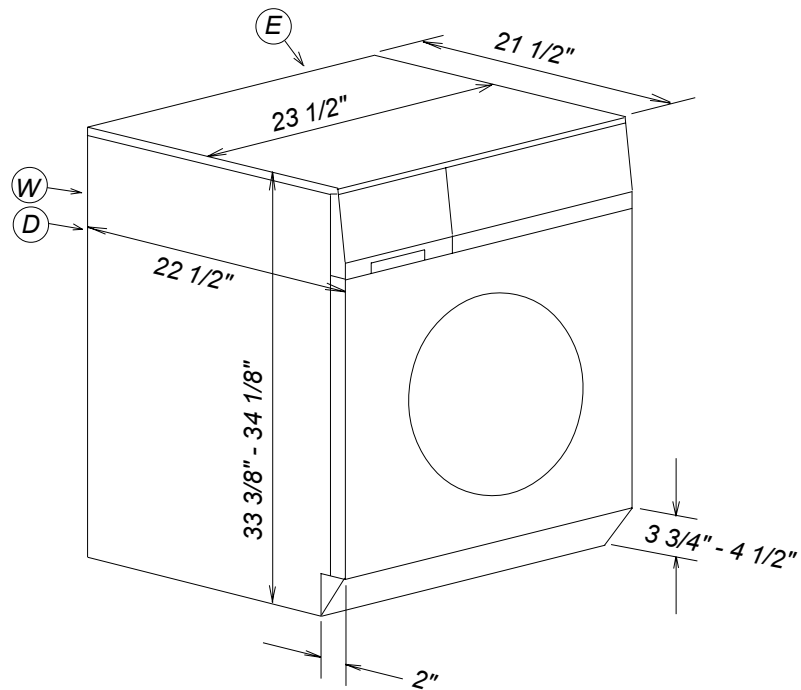
- European standard capacity
- Honeycomb Drum™ with interior light
- Large LCD screen
- Buzzer on/off
- WaterProof system
- 6 spin speeds
- **Standard Wash Programs:** Normal, Wrinkle-Free, Sanitize, Hand Wash, Woolens, Silk, Custom
- **Specialty Wash Programs:** Extra White, Delicates, Denim/Jeans, Dress Shirts, Pillows, Outerwear, Table Linens, Beach Towels, Express, Drain/Spin, Quick Rinse
- **Program Options:** Extended, Heavy Soil (pre-wash), Sensitive (extra rinse)



# Washing Machine W 3037



## PRODUCT VIEW



Location Codes
D - 5 foot flexible drain hose connects upper left rear.
E - 120 Volt, 15 Amp 5 foot molded plug power supply connects upper left rear (NEMA 5-15 Configuration).
W - 5 foot separate flexible hot and cold water intake hoses connect upper left rear.

Notes
<ul style="list-style-type: none"> <li>• <b>All installations must be done in accordance with local codes</b></li> <li>• See "Cut-out Dimensions" sheet for undercounter or built-in space requirements</li> <li>• <b>Remove transport struts in rear of machine before installation.</b></li> </ul>

NOTE: Drawing is not to scale.