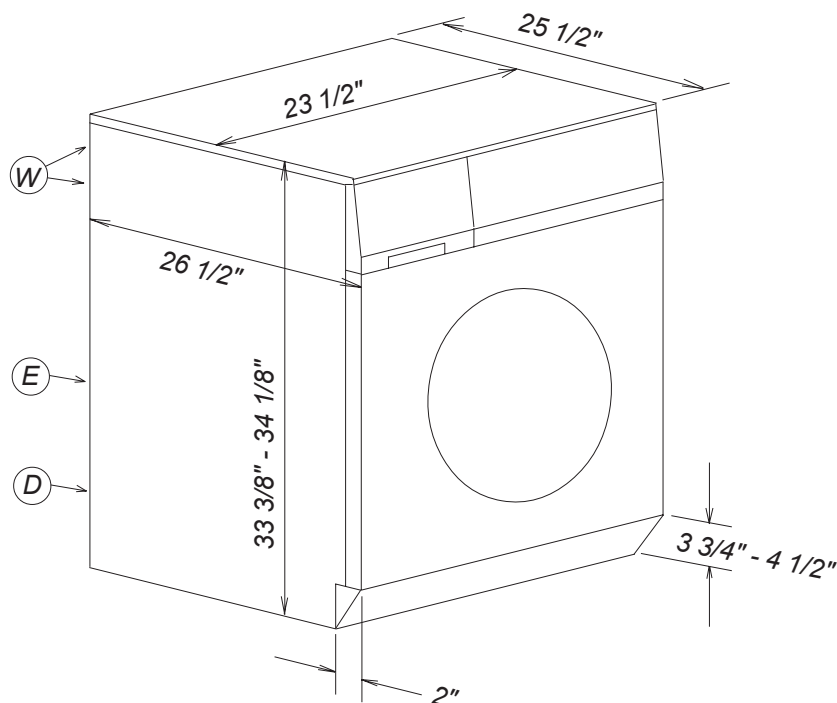


Product Dimensions

Super Capacity Washing Machines

W1203, W1213, W1215 SS



Location Codes
<i>D - 5 foot flexible drain hose connects lower left rear.</i>
<i>E - 208-240 Volt - 15 Amp 5 foot 4-wire (2 live / neutral / ground) molded plug power supply connects lower right rear (NEMA 14-30 Configuration).</i>
<i>W - 5 foot separate flexible hot and cold water intake hoses connect upper right and left rear.</i>

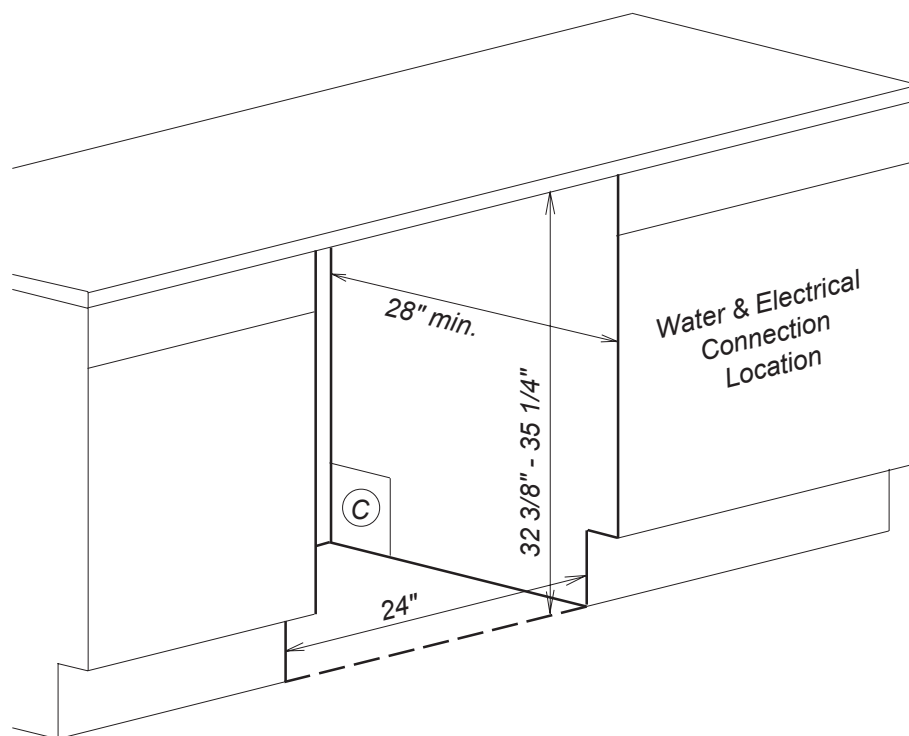
Notes
<ul style="list-style-type: none"> • All installations must be done in accordance with local codes • See "Cut-out Dimensions" sheet for undercounter or built-in space requirements • Optional Easy Installation Kits utilize existing 208-240 Volt - 30 Amp line to connect two Miele machines without rewiring. • Remove transport struts in rear of machine before installation.

NOTE: Drawing is not to scale.
SPECIFICATION SHEETS 010504

Cut-out Dimensions

Built-in Installations

Super Capacity Laundry Products



Location Codes
C - Cutout for Water, Drain and Electric pass-through. Adjust according to water and drain location.

Notes
<ul style="list-style-type: none"> Typically requires removal of unit's lid. Out of box unit height dimension without lid is 32 5/16" - 32 11/16".

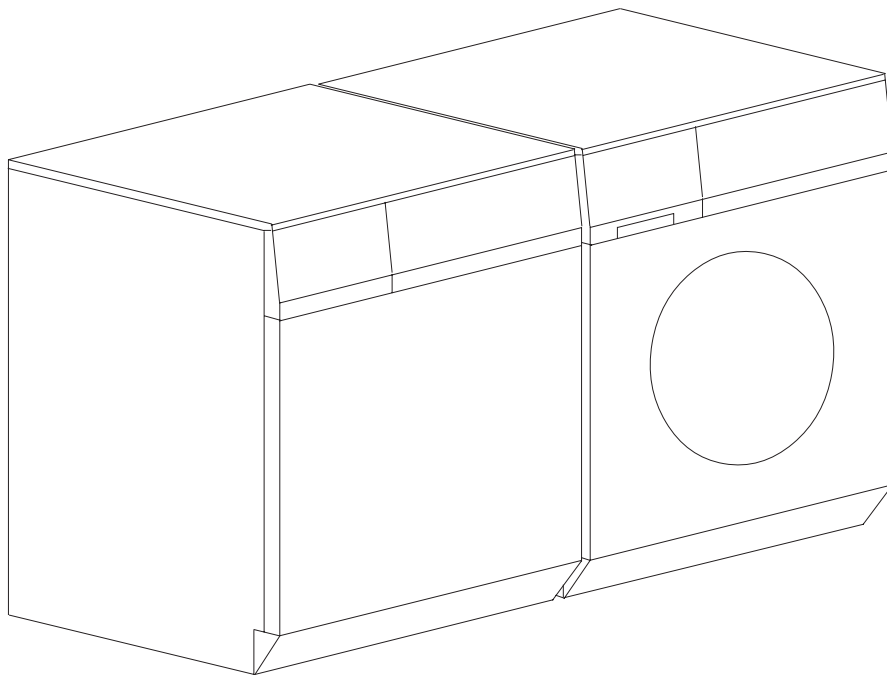
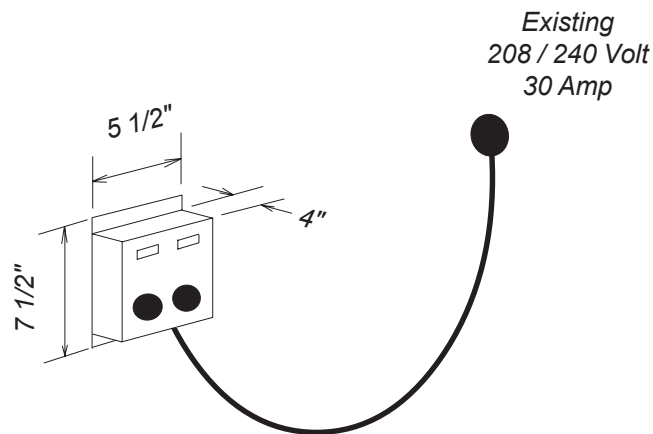
NOTE: Drawing is not to scale.
SPECIFICATION SHEETS 010504

Product Dimensions

Easy Installation Kits

057B / 060B

Miele



Notes

- **Connect Washer and Dryer to Easy Installation Kit**
- **All installations must be done in accordance with local codes**
- **057B Kit fitted with a NEMA10-30 Plug**
- **060B Kit fitted with a NEMA14-30 Plug**

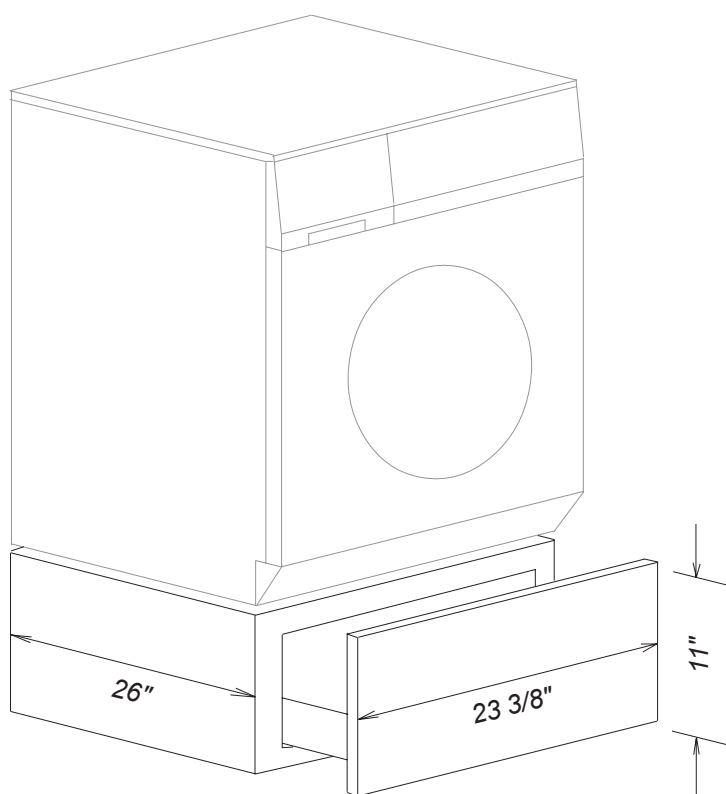
NOTE: Drawing is not to scale.
SPECIFICATION SHEETS 010504

Product Dimensions

Laundry Stand

WTS420 - White Only

Miele



Notes

- *For use with both large and super capacity washers or tumble dryers.*
- *All installations must be done in accordance with local codes*

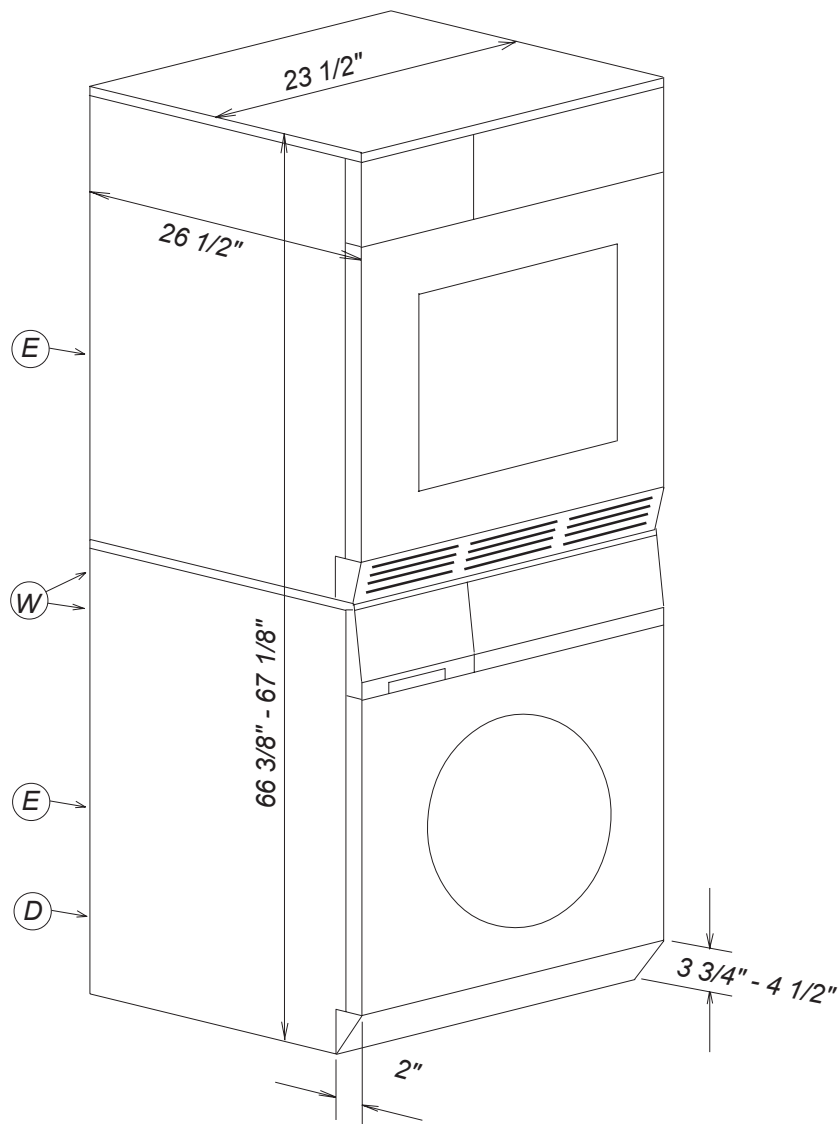
*NOTE: Drawing is not to scale.
SPECIFICATION SHEETS 010504*

Product Dimensions

Stacked Washer & Dryer

Example Combination

W1213 + T1403



Location Codes

- D** - 5 foot flexible drain hose connects lower left rear.
- E** - 208-240 Volt - 15 Amp 5 foot 4-wire (2 live / neutral / ground) molded plug power supply connects lower right rear. (NEMA 14-30 configuration)
- W** - 5 foot separate flexible hot and cold water intake hoses connect upper right and left rear.

Notes

- **All installations must be done in accordance with local codes**
- See "Cut-out Dimensions" sheet for undercounter or built-in space requirements
- Optional Easy Installation Kits utilize existing 208-240 Volt - 30 Amp line to connect two Miele machines without rewiring.
- **Remove transport struts in rear of washing machine before installation.**

NOTE: Drawing is not to scale.
SPECIFICATION SHEETS 010504