



Washer USE & CARE

G U I D E

TABLE OF CONTENTS

Safety Instructions	1-2
Operating Instructions	3
Using the Controls	4-8
Water Use	8
Detergent Use	9
Features	9-10
Care and Cleaning	11
Storing the Washer	12
Troubleshooting	12-14
Operating Sounds.....	15
Warranty	16
Guide d'utilisation et d'entretien	17
Guía de Uso y Cuidado	34

WELCOME

Welcome and congratulations on your purchase of a Amana washer! Your complete satisfaction is very important to us. For best results, we suggest reading this material to help acquaint you with proper operating and maintenance procedures.

Should you need assistance in the future, it is helpful to:

- 1) Have complete model and serial number identification of your washer.

Date of Purchase _____

Model Number _____

Serial Number _____

- 2) **IMPORTANT:** Keep this guide and the sales receipt in a safe place for future reference. Proof of original purchase date is needed for warranty service.

If you have questions, call:

Customer Assistance
1-800-843-0304 USA
1- 866-587-2002 CANADA
(Mon.–Fri., 8am–8pm Eastern Time)
Internet: <http://www.amana.com>

NOTE: In our continuing effort to improve the quality of our appliances, it may be necessary to make changes to the appliance without revising this guide.

For service and warranty information, see page 16.

IMPORTANT SAFETY INSTRUCTIONS

read before operating your washer

WHAT YOU NEED TO KNOW ABOUT SAFETY INSTRUCTIONS

Warning and Important Safety Instructions appearing in this manual are not meant to cover all possible conditions and situations that may occur. Common sense, caution, and care must be exercised when installing, maintaining or operating appliance.

Always contact your manufacturer about problems or conditions you do not understand.

RECOGNIZE SAFETY SYMBOLS, WORDS, LABELS

WARNING

WARNING – Hazards or unsafe practices which **COULD** result in severe personal injury or death.

CAUTION

CAUTION – Hazards or unsafe practices which **COULD** result in minor personal injury or property damage.

SAVE THESE INSTRUCTIONS

IMPORTANT SAFETY INSTRUCTIONS

WARNING

To reduce the risk of fire, electric shock or injury to persons when using the appliance, follow basic precautions, including the following:

1. Read all instructions before using the appliance.
2. As with any equipment using electricity and having moving parts, there are potential hazards. To use this appliance safely, the operator should become familiar with the instructions for operation of the appliance and always exercise care when using it.
3. Do not install or store this appliance where it will be exposed to the weather.
4. Install and level the clothes washer on a floor that can support the weight.
5. This appliance must be properly grounded. Never plug the appliance cord into a receptacle which is not grounded adequately and in accordance with local and national codes. See installation instructions for grounding this appliance.
6. To avoid the possibility of fire or explosion:
 - Do not wash items that have been previously cleaned in, washed in, soaked in, or spotted with gasoline, dry-cleaning solvents, or other flammable or explosive substances as they give off vapors that could ignite or explode. Hand wash and line dry any items containing these substances.

Any material on which you have used a cleaning solvent, or which is saturated with flammable liquids or solids, should not be placed in the clothes washer until all traces of these liquids or solids and their fumes have been removed.

These items include acetone, denatured alcohol, gasoline, kerosene, some liquid household cleaners, some spot removers, turpentine, waxes and wax removers.

- Do not add gasoline, dry-cleaning solvents, or other flammable or explosive substances to the wash water. These substances give off vapors that could ignite or explode.
- Under certain conditions, hydrogen gas may be produced in a hot water system that has not been used for 2 weeks or more. **HYDROGEN GAS IS EXPLOSIVE.** If the hot water system has not been used for such a period, before using a washing machine or combination washer-dryer, turn on all hot water faucets and let the water flow from each for several minutes. This will release any accumulated hydrogen gas. As the

gas is flammable, do not smoke or use an open flame during this time.

7. Unplug power supply cord before attempting to service your clothes washer.
8. Do not reach into the appliance if the tumbler is moving.
9. Do not allow children to play on or in the appliance. Close supervision of children is necessary when the appliance is used near children.
10. Do not tamper with controls.
11. Do not repair or replace any part of the appliance or attempt any servicing unless specifically recommended in published user-repair instructions that you understand and have the skills to carry out.
12. Store laundry aids and other material in a cool, dry place where children cannot reach them.
13. Do not wash or dry items that are soiled with vegetable or cooking oil. These items may contain some oil after laundering. Due to the remaining oil, the fabric may smoke or catch fire by itself.
14. Do not use chlorine bleach and ammonia or acids (such as vinegar or rust remover) in the same wash. Hazardous fumes can form.
15. Do not machine wash fiberglass materials. Small particles can stick to fabrics washed in following loads and cause skin irritation.
16. Before the appliance is removed from service or discarded, remove the door to the washing compartment.
17. Do not sit on top of the clothes washer.
18. Inlet hoses are subject to damage and deterioration over time. Check the hoses periodically for bulges, kinks, cuts, wear or leaks and replace them every five years.

OPERATING INSTRUCTIONS

LOAD THE CLOTHES WASHER

- The tub can be loaded completely full with dry, unfolded clothes. However, **DO NOT** pack the tub tightly.
- Overloading may reduce washing efficiency, cause excess wear and possibly cause creasing or wrinkling of the load.
- Wash delicate items such as bras, hosiery and other lingerie in the Delicates or Hand Wash cycle with similar lightweight items.
- When washing big bulky items or a couple of small items that do not fill the tub completely, such as a rug, a few towels should be added for improved tumbling and spin performance.
- When washing smaller, bulky items that do not fill the tub completely such as a rug, one pillow, stuffed toys or one or two sweaters, a few towels should be added for improved tumbling and spin performance.
- When washing heavily soiled loads, it is very important to avoid overloading the washer to assure good cleaning results.
- To add a forgotten item in the Super Wash, Normal, Wrinkle Control or Quick Wash cycles, press the **Cycle Selector** dial, wait for the Door Lock light to go out (5 seconds), add the item, close the door and press the **Cycle Selector** dial. After a pause of one to two minutes, the cycle will resume.
- Close door carefully to avoid slamming.

NOTE: To ensure that your additional items get clean, do not wait more than five minutes after the cycle has started to add the item.

GETTING STARTED

1. Load the washer loosely – **DO NOT** overload.
2. Close the door.
3. Add detergent and additives to the dispenser (see pages 9-10).
4. Select the appropriate cycle and options for the load, (see pages 4-7).
5. Press the **Cycle Selector** dial.
6. The Wash Indicator light will illuminate.
7. The estimated cycle time will appear in the display. The time may fluctuate to better indicate the wash time remaining in the cycle.
8. Before the washer starts to fill, it will make a series of clicking noises to check the door lock and do a quick drain.

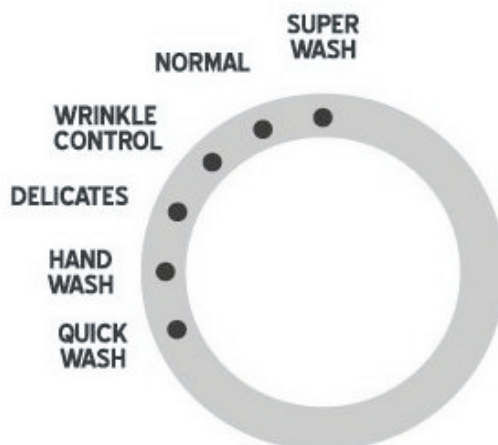
NOTES:

- When the cycle is complete, the Door Lock light will go out and “End” or “00” (select models) will appear in the display.
- **DO NOT** attempt to open the door until the Door Lock light is off. To add a forgotten item, see “Load the Clothes Washer” section.
- When the washer is restarted after a pause, there will be a delay of up to 15 seconds before the cycle will continue.
- Pressing **Power Off** cancels the cycle and stops the washer.
- The Wash, Rinse and Spin indicator lights will illuminate during those portions of the cycle.

USING THE CONTROLS

Step 1

SELECT CYCLE



Select the appropriate cycle for the type of load.
This will determine the tumble pattern and spin speed for the cycle.

NOTE: To minimize wrinkling of loads, select the Wrinkle Control cycle.

Super Wash – For sturdy, colorfast fabrics and heavily soiled garments.

Normal – For most fabrics including cottons, linens and normally soiled garments.

Wrinkle Control – For “wash and wear” and synthetic fabrics and lightly to normally soiled garments.

Delicates – For sheer fabrics, bras and lingerie.

Hand Wash – For wool, silk and other hand-wash-only fabrics.
For best results, use liquid detergent.

Quick Wash – For lightly soiled or wrinkled garments needed quickly.

USING THE CONTROLS

Step 2

SELECT WASH/RINSE WATER TEMPERATURES

Press the arrow pad to select the wash and rinse water temperatures. Follow the garment care label and chart below for best results.

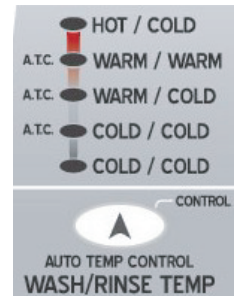
Hot/Cold – Whites and heavily soiled color-fast items.

ATC Warm/Warm – Color-fast items. When warm rinse is selected, only the final rinse will be warm. The other rinses will be cold to conserve energy.

ATC Warm/Cold – Moderately soiled, color-fast items; most wrinkle free items.

ATC Cold/Cold – Brightly colored, lightly soiled items.

Cold/Cold – Brightly colored, very lightly soiled items; washable woolsens.



IMPORTANT: The washer features an automatic temperature control (ATC) to provide a warm wash of approximately 105° F, a cold wash of approximately 65° F and a warm rinse of approximately 80° F in the final rinse only on the ATC temperature selections.

REMEMBER: In wash water temperatures below 65° F, detergents do not dissolve well or clean well.

Step 3

SELECT SPIN SPEED

Press the arrow pad to select the spin speed.

High – Use for underwear, t-shirts, jeans and sturdy cottons.

Medium – Use for jeans, wrinkle free or “wash-and-wear” items and synthetics.

Gentle – Use for items that will be hung up or laid flat to dry.

Low – Use for delicate items needing a slow spin speed because of fabric and construction.



USING THE CONTROLS

Step 4

SELECT SOIL LEVEL

Press the arrow pad to select the Soil Level/washing time.

Heavy – Use for cleaning heavily soiled loads.

Medium – Use for cleaning moderately soiled loads. This setting will be appropriate for most loads.

Light – Use for cleaning lightly soiled loads.



Step 5

SELECT CYCLE OPTIONS

Press the appropriate pad(s) to select one or more options. The indicator light above the pad will illuminate when the option is selected.

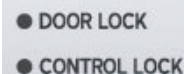
Delay – Any cycle can be delayed for up to 9 hours in one hour increments.

1. Make the appropriate selections for your load.
2. Press the **Delay** pad until the desired delay time appears in the display.
3. Press the **Cycle Selector** dial. The delay time will start counting down.
4. To cancel a delay, press the **Power Off** pad and restart.

Chime – Press the **Chime** pad to increase or decrease the end of cycle signal volume or turn the signal off.

Control Lock – The washer controls can be locked to prevent unwanted use by children.

1. Press the **Wash/Rinse Temp** and **Spin Speed** pads at the same time for three seconds.
2. The Control Lock light will illuminate.
3. To unlock, press the **Wash/Rinse Temp** and **Spin Speed** pads at the same time for three seconds. The Control Lock light will go out.



cont.

USING THE CONTROLS

SELECT CYCLE OPTIONS, CONT.

Press the appropriate pad(s) to select one or more options. The indicator light above the pad will illuminate when the option is selected.

Extra Rinse – Adds an additional rinse at the end of the cycle to more thoroughly remove laundry additives and perfumes.

Rinse and Spin – Use for loads that need rinsing only or to add rinse-added fabric softener to a load.

Spin Only – Provides a spin to remove more water from the load.

OPTION



Step 6

START THE WASHER

To start the washer, press the **Cycle Selector** dial. Before the washer starts to fill, it will make a series of clicking noises to check the door lock and do a quick drain.

Changing a Cycle

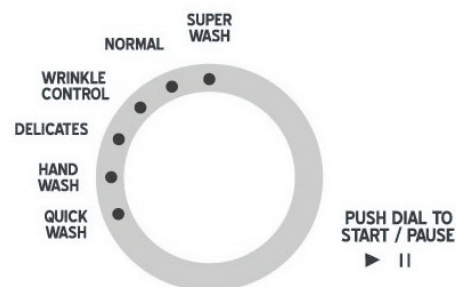
If an incorrect cycle has been accidentally selected:

1. Press the **Cycle Selector** dial.
2. Turn the **Cycle Selector** dial to the desired cycle.
3. Set the desired options for the cycle.
4. Press the **Cycle Selector** dial. The Wash indicator lights stop flashing and the new cycle starts.

Canceling a Cycle

To cancel a cycle:

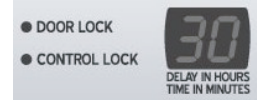
1. Press the **Power Off** pad.
2. Select the **Rinse and Spin** or **Spin Only** option pad.
3. Press the **Cycle Selector** dial. The Spin light illuminates and the washer starts the rinse or spin.



USING THE CONTROLS

ESTIMATED TIME DISPLAY

After setting the cycle and pressing **Cycle Selector** dial, the display will show the estimated minutes remaining in the cycle. The estimated time remaining may fluctuate to better indicate the wash time left in the cycle.

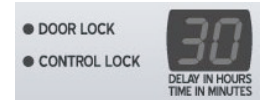


INDICATOR LIGHTS

Door Lock – lights whenever the door of the clothes washer is locked. The door can be unlocked by pressing the **Cycle Selector** dial to pause the washer.

Control Lock – The washer controls can be locked to prevent unwanted use by children.

1. Press the **Wash/Rinse Temp** and **Spin Speed** pads at the same time for three seconds.
2. The Control Lock light will illuminate.
3. To unlock, press the **Wash/Rinse Temp** and **Spin Speed** pads at the same time for three seconds. The Control Lock light will go out.



Cycle Indicator Lights – The Wash, Rinse and Spin lights at the top of the control panel will illuminate progressively to indicate when the washer is in those portions of the cycle. These lights will flash when the cycle has been paused.

Pad Indicator Lights – The indicator lights above the pads will illuminate when the pad is selected.

Cycle Setting Indicator Lights – Indicator lights by the cycle settings will illuminate when the selection is made.



WATER USE

WATER LEVEL CONTROL

The amount of water used will vary with each load. The Amana clothes washer will automatically provide the appropriate amount of water for efficient cleaning performance and conservation of water and energy. Fill time will vary depending on water pressure.

DETERGENT USE

Your Amana washer is designed to use high efficiency (HE) detergents.



- For best cleaning results, use a high efficiency detergent such as Tide HE, Wisk HE, Cheer HE or Gain HE*. High efficiency detergents contain suds suppressors which reduce or eliminate suds. When less suds are produced, the load tumbles more efficiently and cleaning results are maximized.

FEATURES

AUTOMATIC DISPENSER

The washer has separate compartments for dispensing detergent and color-safe bleach, chlorine bleach and fabric softener. All laundry additives are added to their respective compartments before starting the washer.

The Automatic Dispenser MUST ALWAYS be in place before starting the washer. DO NOT open the Automatic Dispenser when the washer is running.

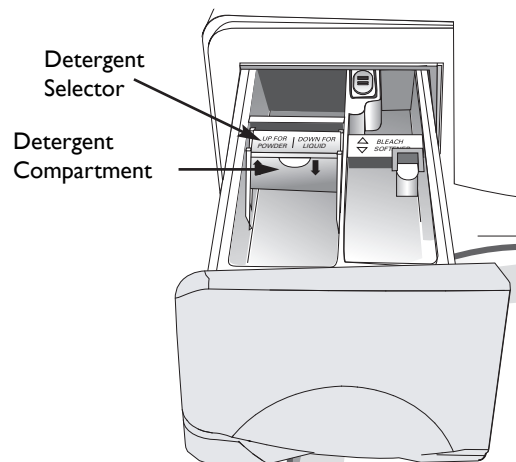
To use:

1. Pull out the dispenser drawer on the left side of the control panel.
2. Fill appropriate compartments with laundry additives, being careful not to overfill or spill additives.
3. Slide the dispenser drawer carefully and completely back into the compartment.

DETERGENT COMPARTMENT

1. Pour the recommended amount of laundry detergent directly into the detergent compartment before starting the washer.
 2. If color-safe bleach is to be used, it should be added with detergent to the detergent compartment.
- When adding color-safe bleach with detergent, it is best if both laundry products are in the same form; granular or liquid.

NOTE: If using liquid detergent, lower the Detergent Selector and add the detergent to the Detergent Compartment.



FEATURES

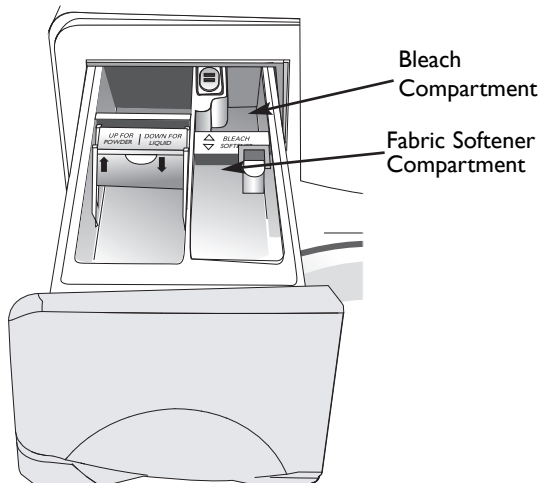
BLEACH COMPARTMENT

(Liquid Chlorine Bleach Only)

1. Add chlorine bleach to the Bleach Compartment. **DO NOT** exceed the MAX FILL line.
2. Avoid splashing or over-filling the compartment.
3. The washer automatically dispenses bleach into the tub at the appropriate time.
4. The dispenser automatically dilutes liquid chlorine bleach before it reaches the wash load.

NOTES:

- **Never pour undiluted liquid chlorine bleach directly onto the load or into the tub.** It is a powerful chemical and can cause fabric damage, such as weakening of the fibers or color loss, if not used properly.
- If you prefer to use color-safe, non-chlorine bleach, add it to the appropriate detergent compartment. **DO NOT pour color-safe bleach into the chlorine bleach dispenser.**



FABRIC SOFTENER COMPARTMENT

1. Pour the recommended amount of liquid fabric softener into the softener compartment. For smaller loads, use less than one cap full.
2. Fabric softener should be diluted with warm water until it reaches MAX FILL in the compartment.
3. The dispenser automatically releases liquid fabric softener at the proper time during the rinse cycle.

NOTES:

- Use the softener compartment **ONLY** for liquid fabric softeners.
- **DO NOT** use the Downy Ball® with this washer. It will not add fabric softener at the appropriate time. Use the automatic dispenser.

* Brand names are trademarks of the respective manufacturers.

CARE AND CLEANING

Turn off the water faucets after finishing the day's washing. This will shut off the water supply to the clothes washer and prevent the unlikely possibility of damage from escaping water. Leave the door open to allow the inside of the washer to dry out.

Use a soft cloth to wipe up all detergent, bleach or other spills as they occur.

Clean the following as recommended:

Control Panel – Clean with a soft, damp cloth. Do not use abrasive powders or cleaning pads. Do not spray cleaners directly on the panel.

Cabinet – Clean with soap and water.

CLEANING THE INTERIOR

Clean the interior of the washer periodically to remove any dirt, soil, odor, mold, mildew or bacteria residue that may remain in the washer as a result of washing clothes. We recommend taking the following steps every 60 to 120 days to clean and freshen your washer interior. The frequency with which the washer should be cleaned and freshened depends on factors such as usage, the amount of dirt, soil or bacteria being run through your washer, or the use of cold water. Failure to follow these instructions may result in unsatisfactory conditions, including unpleasant odor and/or permanent stains on the washer or washload.

To clean and freshen the washer interior:

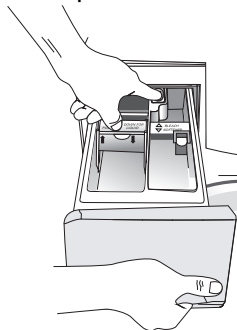
1. Make a solution of one cup chlorine bleach and two cups warm water. Be careful not to spill or splash the bleach solution.
2. Wipe the door seal with bleach solution and a soft cloth.
3. Fill bleach dispenser with undiluted chlorine bleach.
4. Run the washer through a complete cycle using hot water.
5. Repeat the wash cycle if necessary.

Hard water deposits may be removed, if needed. Use a recommended cleaner labeled clothes washer safe.

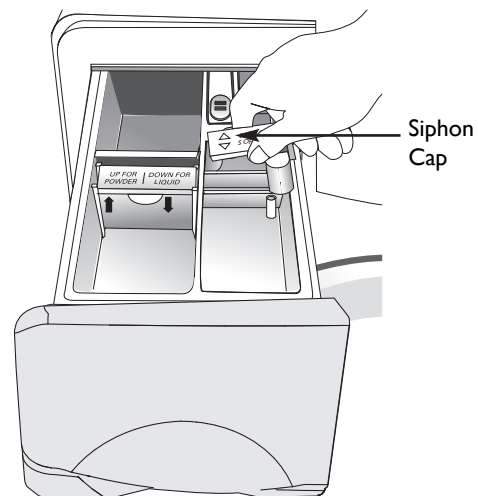
CLEANING THE DISPENSERS

The Automatic Dispenser may need to be cleaned periodically due to laundry additive buildup.

1. Press the release lever on the inside of the dispenser and pull out.



2. Remove the cups from the fabric softener and bleach compartments.
3. Wash all of the parts under running water.
4. Clean the dispenser recess with a soft brush.
5. Reinsert the cups, pushing them firmly into place.
6. Push the dispenser back into place.
7. Run a Rinse & Spin cycle without any load in the washer.



STORING THE CLOTHES WASHER

Washers can be damaged if water is not removed from hoses and internal components before storage. Prepare the washer for storage as follows:

- Select the **Quick Wash** cycle and add bleach to the automatic dispenser. Run the washer through the cycle without a load.
- Turn the water faucets off and disconnect the inlet hoses.

- Disconnect the clothes washer from the electrical supply and leave the washer door open to let air circulate inside the tumbler.
- If the washer has been stored in below-freezing temperatures, allow time for any water left over in the washer to thaw out before use.

For information on long-term storage or storage of your washer during extreme cold temperatures, call Customer Service toll-free at 1-800-843-0304 USA or 1-866-587-2002 Canada.

TROUBLESHOOTING

CHECK THESE POINTS IF YOUR WASHER ...

Freshening your washer

- See Cleaning the Interior, page 11.

The washer will not start

- Make sure door is firmly closed.
- Make sure the washer is plugged in.
- Make sure the water source faucets are turned on.
- Make sure to press the **Cycle Selector** dial to start the washer.
- Make sure the Control Lock is not activated, see page 6.
- Before the washer starts to fill, it will make a series of clicking noises to check the door lock and do a quick drain.

No water or insufficient water supply

- Turn both faucets on fully.
- Make sure the door is tightly closed.
- Make sure the washer is plugged in.
- Check fuse or reset circuit breaker.
- Press the **Cycle Selector** dial to start the washer.
- Straighten water inlet hoses.
- Disconnect hoses and clean screens. Hose filter screens may be plugged.
- Open and close the door, then press the **Cycle Selector** dial.

Detergent remains in the automatic dispenser after the wash cycle is complete

- Make sure the washer is running with sufficient water pressure. See Installation Instructions.
- Make sure the Detergent Selector is in the upper position when using granular detergent.

Washer vibrates or is too noisy

- Make sure the washer is set on a level surface. If the surface is not level, adjust the washer feet to level the appliance. See Installation Instructions.
- Make sure that the shipping bolts are removed. See Installation Instructions.
- Make sure the washer is not touching any other object.
- Make sure the laundry load is balanced.

CONT.

TROUBLESHOOTING

CHECK THESE POINTS IF YOUR WASHER...

<p>Stops</p>	<ul style="list-style-type: none"> • Plug cord into live electrical outlet. • Check fuse or reset circuit breaker. • Close door and press the Cycle Selector dial to start the washer. For your safety, the washer will not tumble or spin unless the door is closed. • Before the washer starts to fill, it will make a series of clicking noises to check the door lock and do a quick drain. • This may be a pause or soak period in the cycle. Wait briefly and it may start. • Check screens on inlet hoses at the faucets for obstructions. Clean screens periodically.
<p>Fills with the Wrong Temperature Water</p>	<ul style="list-style-type: none"> • Turn both faucets on fully. • Make sure temperature selection is correct. • Make sure hoses are connected to correct faucets. Flush water lines. • Check the water heater. It should be set to deliver a minimum 120° F (49° C) hot water at the tap. Also check water heater capacity and recovery rate. • Disconnect hoses and clean screens. Hose filter screens may be plugged. • As the washer is filling, the water temperature may change as the automatic temperature control feature checks incoming water temperature. This is normal. • While the washer is filling, you may notice just hot and/or just cold water going through the dispenser when cold or warm wash temperatures are selected. This is a normal function of the automatic temperature control feature as the washer determines the temperature of the water.
<p>Won't tumble</p>	<ul style="list-style-type: none"> • Check fuse or reset circuit breaker. • Close the door and press the Cycle Selector dial. For your safety, the washer will not tumble or spin unless the door is closed.
<p>Door locked shut; will not open</p>	<ul style="list-style-type: none"> • Press the Cycle Selector dial to stop the washer. • The washer door will remain locked during the heating portion of the Sanitary Cycle (select models). • It may take a few moments for the door lock mechanism to disengage.
<p>The washer does not drain and/or spin</p>	<ul style="list-style-type: none"> • Check fuse or reset circuit breaker. • Straighten drain hoses. Eliminate kinked hoses. If there is a drain restriction, call for service. • Close the door and press the Cycle Selector dial. For your safety, the washer will not tumble or spin unless the door is closed.
<p>Load is too wet at end of cycle</p>	<ul style="list-style-type: none"> • Use the High or Max Extract spin speed. • Use high efficiency detergent to reduce over-sudsing. • Load is too small. Very small loads (one or two items) may become unbalanced and not spin out completely.
<p>Leaks Water</p>	<ul style="list-style-type: none"> • Make sure door is firmly closed. • Make sure hose connections are tight. • Make sure end of drain hose is correctly inserted and secured to drain facility. • Avoid overloading. • Use high efficiency detergent to prevent over-sudsing.
<p>Excessive Suds</p>	<ul style="list-style-type: none"> • Use high efficiency detergent to prevent over-sudsing. • Reduce detergent amount for soft water, small or lightly soiled loads.

For further assistance, call Customer Service toll-free at 1-800-843-0304 USA or 1-866-587-2002 Canada.

TROUBLESHOOTING

INFORMATION CODES

Information codes may be displayed to help you better understand what is occurring with the washer.

Code Symbol	Meaning	Solution
dc	Unbalanced load prevented the washer from spinning.	Redistribute the load, press the Cycle Selector dial.
dl	Door is unlocked when washer is running.	Press Power Off pad then restart the cycle. If the code reappears, call for service, see below.
ds	Door is open when washer is running.	Close the door tightly and restart the cycle. If the code reappears, call for service, see below.
fl	The washer failed to lock the door.	Close the door tightly and restart the cycle. If the code reappears, call for service, see below.
hi-	Water temperature control problem. (Heater Control problem)	Call for service, see below.
le	The washer has tried to fill but has not reached the proper water level.	Call for service, see below.
lo	The door will not unlock.	Make sure the door is firmly closed. Push the Power Off pad to turn off the washer, and then turn it on using any pad. If the code reappears, call for service, see below.
ee	Motor not running properly.	Restart the cycle pressing the Cycle Selector dial. If the code reappears, call for service, see below.
nd	The washer is not draining.	See Troubleshooting “The washer does not drain and/or spin”, page 13. If problem continues, call for service, see below.
nf	The washer has tried to fill but was unsuccessful.	Make sure the water faucets are open all the way. Check for kinked hoses. Check inlet screens on fill hoses.
sr-	Problem with control.	Call for service, see below.
pf	Electric service was lost when washer was running.	Restart the cycle by pressing the Cycle Selector dial.

For any codes not listed above, call Customer Service at 1-800-843-0304 USA or 1-866-587-2002 Canada.

OPERATING SOUNDS

<p>High-pitched sound during a spin cycle.</p>	<ul style="list-style-type: none"> • The motor increases speed to spin the tub to remove moisture from the load.
<p>Flushing water sound coming from the dispenser area.</p>	<ul style="list-style-type: none"> • Detergent is dispensed at the start of the cycle. Bleach is dispensed during final minutes of wash. Fabric softener is dispensed during the third rinse while the washer is filling.
<p>Whirring or sloshing sound followed by a pause, repeated throughout the wash cycle.</p>	<ul style="list-style-type: none"> • The tub rotates one direction followed by a pause. The tub reverses direction and pauses. This action continues throughout the cycle.
<p>Washer maintains a slightly reduced spin speed after achieving a higher spin speed.</p>	<ul style="list-style-type: none"> • After reaching the maximum spin speed, the machine may reduce spin speed slightly for maximum performance.
<p>The spin speed slows down dramatically when it sounds like an out-of-balance load.</p>	<ul style="list-style-type: none"> • The tumbler will begin to accelerate to speed, then slows back down to redistribute the load more evenly when an unbalanced load occurs.
<p>Water is added after the washer has been tumbling for a while.</p>	<ul style="list-style-type: none"> • The Amana clothes washer uses a true adaptive fill and adds more water during the wash cycle as it is needed. • Water flows through the dispenser to dilute and add bleach or fabric softener at the appropriate time. This will occur even if bleach and fabric softener are not used.
<p>Clicking/draining sounds when washer is started.</p>	<ul style="list-style-type: none"> • Before the washer starts to fill, it will make a series of clicking noises to check the door lock and do a quick drain.
<p>Washer beeps after cycle has started.</p>	<ul style="list-style-type: none"> • This is audio confirmation the door has locked successfully.
<p>Rhythmic air rushing during spin.</p>	<ul style="list-style-type: none"> • Due to tub movement during the spin cycle, air is transferred in and out of the tub to provide optimum performance.
<p>Rapid snapping and/or popping sound from the rear of the washer during spin.</p>	<ul style="list-style-type: none"> • Water is being extracted through the drain holes in the spinner and is hitting the outer tub before draining out of the machine.

CLOTHES WASHER WARRANTY

Warranty

Limited One Year Warranty - Parts and Labor

For **one (1) year** from the original retail purchase date, any part which fails in normal home use will be repaired or replaced free of charge.

Canadian Residents

The above warranties only cover an appliance installed in Canada that has been certified or listed by appropriate test agencies for a compliance to a National Standard of Canada unless the appliance was brought into Canada due to transfer of residence from the United States to Canada.

*The specific warranties expressed above are the **ONLY** warranties provided by the manufacturer. These warranties give you specific legal rights, and you may also have other rights which vary from state to state.*

CUSTOMER'S SOLE AND EXCLUSIVE REMEDY UNDER THIS LIMITED WARRANTY SHALL BE PRODUCT REPAIR AS PROVIDED HEREIN. IMPLIED WARRANTIES, INCLUDING WARRANTIES OF MERCHANTABILITY OR FITNESS FOR A PARTICULAR PURPOSE, ARE LIMITED TO ONE YEAR OR THE SHORTEST PERIOD ALLOWED BY LAW. AMANA CORPORATION SHALL NOT BE LIABLE FOR INCIDENTAL OR CONSEQUENTIAL DAMAGES. SOME STATES AND PROVINCES DO NOT ALLOW THE EXCLUSION OR LIMITATION OF INCIDENTAL OR CONSEQUENTIAL DAMAGES, OR LIMITATIONS ON THE DURATION OF IMPLIED WARRANTIES OF MERCHANTABILITY OR FITNESS, SO THESE EXCLUSIONS OR LIMITATIONS MAY NOT APPLY TO YOU. THIS WARRANTY GIVES YOU SPECIFIC LEGAL RIGHTS AND YOU MAY ALSO HAVE OTHER RIGHTS, WHICH VARY STATE TO STATE OR PROVINCE TO PROVINCE.

What is Not Covered By These Warranties

1. Conditions and damages resulting from any of the following:
 - a. Improper installation, delivery, or maintenance.
 - b. Any repair, modification, alteration, or adjustment not authorized by the manufacturer or an authorized servicer.
 - c. Misuse, abuse, accidents, unreasonable use, or acts of God.
 - d. Incorrect electric current, voltage, electrical and/or gas supply.
 - e. Improper setting of any control.
 - f. Use of risers (pedestals) that are not Maytag branded.
2. Warranties are void if the original serial numbers have been removed, altered, or cannot be readily determined.
3. Light bulbs, water filters and air filters.
4. Products purchased for commercial or industrial use.
5. The cost of service or service call to:
 - a. Correct installation errors. For products requiring ventilation, rigid metal ducting must be used.
 - b. Instruct the user on the proper use of the product.
 - c. Transport the appliance to and from the servicer.
 - d. Correct issues related to risers that are not Maytag branded.
6. Any food loss due to refrigerator or freezer product failures.
7. Expenses for travel and transportation for product service in remote locations.
8. Outside of the United States and Canada this warranty does not apply. Contact your dealer to determine if another warranty applies.
9. Consequential or incidental damages sustained by any person as a result of any breach of the se warranties. Some states do not allow the exclusion or limitation of consequential or incidental damages, so the above exclusion may not apply.

If You Need Service

First see the Troubleshooting section in your Use and Care Guide or call the dealer from whom your appliance was purchased or call Amana Services, Customer Assistance at 1-800-843-0304 USA and 1-866-587-2002 Canada to locate an authorized servicer.

- Be sure to retain proof of purchase to verify warranty status. Refer to WARRANTY for further information on owner's responsibilities for warranty service.
- If the dealer or service company cannot resolve the problem, write to Amana Customer Service, 553 Benson Road, Benton Harbor, MI 49022, or call 1-800-843-0304 USA and 1-866-587-2002 Canada.
- User's guides, service manuals and parts information are available from Amana Services, LLC, Customer Assistance.

Notes: When writing or calling about a service problem, please include:

- a. Your name, address and telephone number;
- b. Model number and serial number;
- c. Name and address of your dealer or servicer;
- d. A clear description of the problem you are having;
- e. Proof of purchase (sales receipt).



Laveuse GUIDE

D'UTILISATION ET D'ENTRETIEN

TABLE DES MATIÈRES

Instructions de sécurité importantes	18-19
Mode d'emploi	20
Utilisation des commandes	21-25
Consommation d'eau	25
Utilisation de détergent	26
Caractéristiques	26-27
Entretien et nettoyage	28
Rangement de la laveuse	29
Recherche de pannes	29-31
Bruits de fonctionnement.....	32
Garantie de la laveuse	33
Guía de Uso y Cuidado	34

BIENVENUE

Bienvenue et félicitations pour votre achat d'une laveuse Amana! Il est très important pour nous que vous soyez totalement satisfait. Pour l'obtention des meilleurs résultats, nous vous suggérons de lire la totalité de ce guide pour vous familiariser avec les méthodes adéquates d'utilisation et entretien de l'appareil.

Pour tout besoin d'assistance à l'avenir:

- 1) Il sera utile de disposer immédiatement du numéro de modèle et du numéro de série de l'appareil.

Date d'achat _____

Numéro de modèle _____

Numéro de série _____

- 2) **IMPORTANT** : Conservez ce guide et la facture d'achat en lieu sûr pour utilisation ultérieure. Une preuve de la date d'achat devra être présentée pour toute demande de travaux sous garantie.

Pour toute question, téléphonez à :

Service à la clientèle
1-866-587-2002 CANADA
(Lundi à vendredi, 8 h - 20 h, heure de l'Est)
Internet: <http://www.amana.com>

REMARQUE : Dans le cadre de nos pratiques d'amélioration constante de la qualité de nos appareils, des modifications peuvent être introduites sur les appareils sans que cela donne lieu à une révision de ce guide.

Pour l'information sur le service et la garantie, voir page 33.

INSTRUCTIONS DE SÉCURITÉ IMPORTANTES

lire ce qui suit avant d'utiliser la laveuse

CE QU'IL FAUT SAVOIR À PROPOS DES CONSIGNES DE SÉCURITÉ

Les consignes de sécurité et les mises en garde présentées dans ce guide ne couvrent pas toutes les situations possibles. Faire preuve de jugement, de prudence et d'attention lors de l'installation, de l'entretien et de l'utilisation de l'appareil.

Lorsque survient un problème ou une situation inhabituelle, toujours communiquer avec le fabricant.

RECONNAÎTRE LES ÉTIQUETTES, PHRASES OU SYMBOLES SUR LA SÉCURITÉ

AVERTISSEMENT

AVERTISSEMENT – Risques ou pratiques non sûres, qui **POURRAIENT** résulter en de graves blessures ou même la mort.

ATTENTION

ATTENTION – Risques ou pratiques non sûres qui **POURRAIENT** résulter en blessures mineures ou dégâts matériels.

CONSERVER CES INSTRUCTIONS

INSTRUCTIONS DE SÉCURITÉ IMPORTANTES

AVERTISSEMENT

Pour minimiser les risques d'incendie, explosion, de choc électrique, dommages matériels ou blessures lors de l'utilisation de l'appareil, appliquer les précautions fondamentales, dont les suivantes.

1. Lisez toutes les instructions avant d'utiliser l'appareil.
2. Comme avec tout équipement fonctionnant à l'électricité et comportant des pièces mobiles, il existe toujours des possibilités de dangers. Pour utiliser cet appareil dans les meilleures conditions de sécurité, l'opérateur doit se familiariser avec les instructions de fonctionnement de l'appareil et user de prudence pendant son utilisation.
3. N'installez pas et ne remisez pas l'appareil dans un endroit où il est exposé aux intempéries.
4. Installez l'appareil et mettez-le de niveau sur un plancher pouvant porter son poids.
5. Cet appareil doit être correctement mis à la terre. Ne branchez jamais le câble électrique de l'appareil sur une prise murale non mise à la terre conformément aux codes locaux et nationaux. Voyez les instructions d'installation pour la mise à la terre de cet appareil.
6. Pour éviter les risques d'incendie ou d'explosion :
 - Ne lavez pas d'articles qui ont auparavant été nettoyés ou lavés à l'aide d'essence, de solvants de nettoyage à sec ou d'autres produits explosifs ou inflammables, ou qui en sont imbibés ou éclaboussés, car ces substances produisent des vapeurs qui peuvent s'enflammer ou exploser. Lavez à la main et séchez à l'air tout article contenant ces substances.

Tout tissu sur lequel des solvants de nettoyage ont été utilisés ou qui est saturé de liquides ou solides inflammables ne doit pas être mis dans la laveuse avant que toute trace et toute vapeur de ces liquides ou solides ne soient complètement éliminées.

Ces produits comprennent l'acétone, l'alcool dénaturé, l'essence, le kérosène, certains produits de nettoyage ménagers, les détachants, la térébenthine, les cires et les décapants de cire.
 - N'ajoutez pas d'essence, de solvants de nettoyage à sec ou toute autre substance inflammable ou explosive à l'eau de lavage. Ces substances produisent des vapeurs qui peuvent s'enflammer ou exploser.
 - Dans certaines conditions, il peut y avoir production d'hydrogène dans un système de chauffage d'eau qui n'est pas utilisé pendant 2 semaines ou plus. **L'HYDROGÈNE EST UN EXPLOSIF.** Si votre système de chauffage d'eau n'est pas utilisé sur une telle période, ouvrez tous les robinets d'eau chaude et laissez couler l'eau pendant plusieurs minutes avant d'utiliser votre laveuse ou votre ensemble machine à laver-sècheuse. Ceci élimine toute accumulation d'hydrogène. Ce gaz étant inflammable, ne fumez pas et n'utilisez pas de flamme vive pendant ces quelques minutes.
7. Débranchez le cordon d'alimentation électrique avant d'essayer de réparer la laveuse.
8. N'introduisez pas une main ou un bras dans l'appareil si la cuve est en mouvement.
9. Ne permettez pas aux enfants de jouer sur ou à l'intérieur de l'appareil. Une supervision étroite des enfants est nécessaire lorsque l'appareil est utilisé à proximité d'enfants.
10. Ne modifiez pas les mécanismes de commande.
11. Ne réparez pas ou ne remplacez pas une pièce de l'appareil ou ne procédez pas à un dépannage, sauf si les instructions publiées le recommandent et que la personne effectuant la réparation les comprend et possède les connaissances voulues pour les exécuter.
12. Rangez les produits pour la lessive dans un endroit frais et sec hors d'atteinte des enfants.
13. Ne lavez pas ou ne séchez pas d'articles tachés d'huile végétale ou de cuisson. Ces articles pourraient être encore imprégnés d'huile après la lessive. Pour cette raison, le tissu pourrait émettre des fumées ou prendre feu de lui-même.
14. Ne mélangez pas de javellisant et d'ammoniaque ou d'acides (tels que du vinaigre ou du produit pour enlever la rouille) pour une même charge de linge. Des vapeurs nocives peuvent se former.
15. Ne lavez pas d'articles en fibre de verre à la machine. De petites particules peuvent se coller sur le linge lavé par la suite et provoquer des irritations cutanées.
16. Avant de retirer l'appareil du service ou de le mettre au rebut, retirez le couvercle du compartiment de lavage.
17. Ne vous asseyez pas sur la laveuse.
18. Les tuyaux d'alimentation se détériorent progressivement. Inspectez les tuyaux à intervalle régulier; recherchez dilatations, écrasements, coupures, fuites et indices d'usure. Remplacez les tuyaux après 5 ans de service.

CHARGEMENT DE LA LAVEUSE

- La cuve peut être complètement remplie de vêtements secs, non pliés. Cependant, il ne faut pas tasser le linge.
- La surcharge peut entraîner une réduction de l'efficacité du lavage, une usure excessive et le risque que le linge présente des plis et se froisse.
- Choisir le réglage Delicates (Déliçats) ou Hand Wash (Lavage manuel) pour laver le linge délicat comme les soutiens-gorge et autres articles de lingerie avec d'autres articles légers.
- Lors du lavage de petits articles volumineux qui ne remplissent pas complètement la cuve comme un tapis, un oreiller, des jouets en peluche ou bien un ou deux chandails, quelques serviettes peuvent être ajoutées pour obtenir de meilleures performances de culbutage et d'essorage.
- Lors du lavage d'articles volumineux, mais plus petits, qui ne remplissent pas complètement la cuve comme un tapis, un oreiller, un jouet en peluche ou un ou deux chandails, quelques serviettes doivent être ajoutées pour améliorer la performance de culbutage et d'essorage.
- Lors du lavage de charges extrêmement souillées, il est très important d'éviter de surcharger la laveuse pour assurer de bons résultats.
- Pour ajouter un article oublié dans le super lavage, la normale, la commande de ride ou le lavage rapide fait un cycle, appuyer sur la touche Cycle Selector (Sélecteur), attendre que le témoin de verrouillage du porte s'éteigne, ajouter l'article, fermer le couvercle et appuyer sur la touche **Cycle Selector** (Sélecteur). À la suite d'une pause d'une minute, au maximum, le cycle redémarrera.
- Fermer doucement le couvercle.

REMARQUE : Pour que l'article ajouté soit bien lavé, ne pas attendre plus de cinq minutes après le début du cycle pour ajouter l'article.

DÉPART DE LA LAVEUSE

1. Mettez le linge, sans le tasser, dans la laveuse – NE la remplissez PAS excessivement.
2. Fermez la porte.
3. Mettez le détergent et les additifs dans le distributeur (voir pages 26-27).
4. Sélectionnez le cycle et les options qui conviennent au linge (voir pages 21-24).
5. Appuyez sur la touche **Cycle Selector** (Sélecteur).
6. Le voyant de lavage s'allume.
7. La durée de lavage estimée paraît à l'afficheur. La durée peut fluctuer pour indiquer avec plus de précision la durée restante du cycle.
8. Avant que la laveuse ne commence à se remplir, elle fait une série de cliquetis pour vérifier le verrouillage de la porte et effectuer une brève vidange.

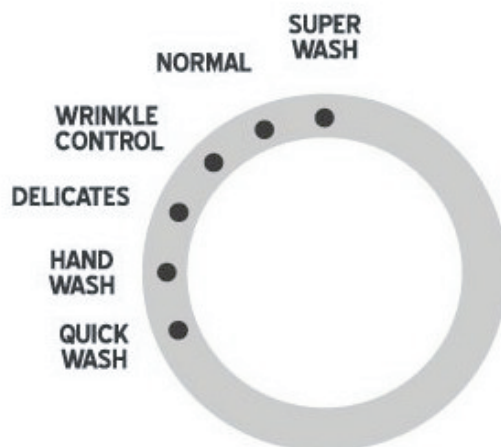
Remarques :

- Une fois le cycle terminé, le voyant du verrouillage de la porte s'éteint et End (Fin) ou 00 (certains modèles) paraît à l'afficheur.
- N'essayez PAS d'ouvrir la porte tant que le voyant du verrouillage de la porte n'est pas éteint. Pour ajouter un article oublié, reportez-vous Chargement de la Laveuse.
- Lorsque la laveuse est remise en marche à la suite d'une pause, 15 secondes maximum s'écouleront avant la reprise du cycle.
- Lorsque l'on appuie sur **Power Off** (Arrêt), le cycle est annulé et la laveuse s'arrête.
- Les voyants Wash (Lavage), Rinse (Rinçage) et Spin (Essorage) s'allument lorsque ces parties du cycle sont en cours.

UTILISATION DES COMMANDES

Étape 1

SÉLECTION DU CYCLE



Appuyer sur la touche correspondant au type de linge.
Ceci détermine le mode de culbutage et la vitesse d'essorage du cycle.

REMARQUE : Pour réduire le froissement du linge, sélectionner le cycle **Wrinkle Control** (Antifroissement).

Super Wash (Super lavage) – pour les tissus robustes, grand teint et les vêtements très sales.

Normal – pour la majorité des tissus, y compris coton, linge de maison et vêtements normalement sales.

Wrinkle Control (Antifroissement) – pour les tissus synthétiques et les « lavez et portez » ainsi que les vêtements peu à normalement sales.

Delicates (Déliçats) – pour les tissus transparents, soutiens-gorge et lingerie.

Hand Wash (Lavage manuel) – pour les tissus en laine, en soie et autres tissus lavables à la main seulement. Utilisez du détergent liquide pour obtenir de meilleurs résultats.

Quick Wash (Lavage rapide) – pour les vêtements froissés ou peu sales dont vous avez besoin rapidement.

UTILISATION DES COMMANDES

Étape 2

SÉLECTION DES TEMPÉRATURES DE L'EAU DE LAVAGE / RINÇAGE

Appuyer sur la touche avec flèche pour sélectionner les températures de l'eau de lavage et de l'eau de rinçage. Suivre les indications données sur l'étiquette des vêtements et le tableau ci-dessous pour obtenir les meilleurs résultats.

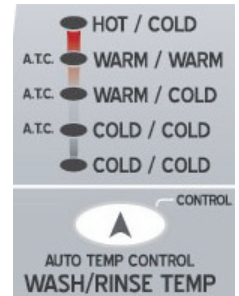
Chaud/froide – blancs et articles couleur grand teint très sales.

Tiède/tiède (ATC) – articles grand teint. Lorsque le rinçage tiède est sélectionné, seul le rinçage final sera tiède. Les autres rinçages seront à l'eau froide afin de conserver l'énergie.

Tiède/froide (ATC) – articles grand teint, modérément sales, majorité des articles infroissables.

Froide/froide (ATC) – articles de couleur vive, légèrement sales; lainages lavables.

Froide/froide – articles de couleurs vives, très légèrement sales.



IMPORTANT : La laveuse comprend une commande automatique de température (ATC) qui donne un lavage en eau tiède à environ 105 °F, un lavage en eau froide à environ 65 °F et un rinçage en eau tiède à environ 80 °F lors du rinçage final, seulement pour des choix de températures avec la commande automatique de température.

NE PAS OUBLIER : Lorsque les températures de l'eau de lavage se trouvent en dessous de 18 °C (65 °F), les détergents ne se dissolvent pas bien ou ne lavent pas bien non plus.

Étape 3

SÉLECTION DE LA VITESSE D'ESSORAGE

Appuyer sur la touche avec flèche pour sélectionner la vitesse d'essorage.

High (Élevée) – à utiliser pour les sous-vêtements, les jeans et les cotons robustes.

Medium (Moyenne) – s'utilise pour les jeans, les tissus synthétiques et les articles infroissables ou « lavez et portez ».

Gentle (Douce) – s'utilise pour les articles qui seront suspendus ou mis à plat pour sécher.

Low (Basse) – s'utilise pour les articles délicats ayant besoin d'une vitesse d'essorage lente en raison du type de tissu et de sa fabrication.



UTILISATION DES COMMANDES

Étape 4

SÉLECTION DU NIVEAU DE SALETÉ

Appuyez sur la flèche pour choisir le niveau de saleté/la durée de lavage.

Heavy (Très sale) – s'utilise pour le linge très encrassé.

Medium (Moyen) – s'utilise pour le linge moyennement sale. Ce réglage convient à la majorité du linge.

Light (Peu sale) – s'utilise pour le linge légèrement sale.



Étape 5

SÉLECTION DES OPTIONS (CYCLE)

Appuyez sur la ou les touches appropriées pour obtenir une ou plusieurs options. Le témoin au-dessus de la touche s'allume une fois l'option choisie.

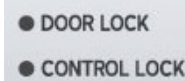
Delay (Lavage différé) – tout départ de cycle peut être différé jusqu'à 9 heures en intervalles d'une heure.

1. Faites la sélection appropriée selon le linge.
2. Appuyez sur la touche **Delay** jusqu'à ce que la durée d'attente désirée paraisse à l'affichage.
3. Appuyez sur le **sélecteur de cycle**. Le décompte de la durée d'attente commence.
4. Pour annuler un départ différé, appuyez sur le touche **Power Off** et remettre en marche.

Signal sonore – appuyez sur la touche **Chime** pour augmenter ou diminuer le volume du signal de fin de cycle ou pour l'arrêter.

Verrouillage des commandes – les commandes de la laveuse peuvent être verrouillées pour empêcher une utilisation non désirée, par les enfants.

1. Appuyez sur les touches **Wash/Rinse Temp** (temp. de lavage/rinçage) et **Spin Speed** en même temps pendant trois secondes.
2. Le témoin de verrouillage des commandes s'allume.
3. Pour annuler le verrouillage, appuyez sur les touches **Wash/Rinse Temp** (temp. de lavage/rinçage) et **Spin Speed** en même temps pendant trois secondes. Le témoin de verrouillage des commandes s'éteint.



SUITE

UTILISATION DES COMMANDES

SÉLECTION DES OPTIONS (SUITE)

Appuyez sur la ou les touches appropriées pour obtenir une ou plusieurs options. Le témoin au-dessus de la touche s'allume une fois l'option choisie.

Extra Rinse (Rinçage supplémentaire) – ajoute un autre rinçage à la fin du cycle pour enlever plus efficacement les parfums et additifs lessiviels.

Rinse & Spin (Rinçage et essorage) – s'utilise pour le linge qui n'a besoin que d'être rincé ou pour ajouter de l'assouplissant (s'ajoutant lors du rinçage) au linge.

Spin Only (Essorage seulement) – donne un essorage pour extraire plus d'eau du linge.

OPTION



Étape 6

MISE EN MARCHÉ DE LA LAVEUSE

Pour mettre la laveuse en marche, appuyez sur le **sélecteur de cycle**. Avant que la laveuse ne commence à se remplir, elle fait une série de cliquetis pour vérifier le verrouillage de la porte et effectuer une brève vidange

Changement de cycle

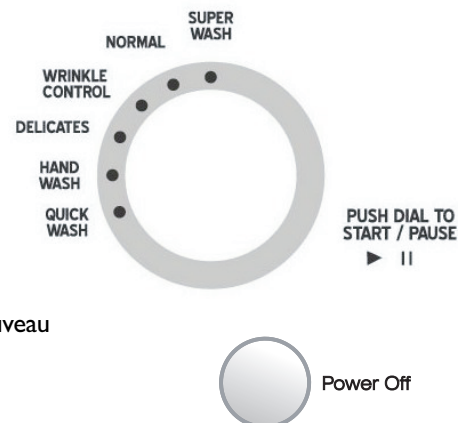
Si un cycle inapproprié a été choisi accidentellement :

1. Appuyez sur le **sélecteur**.
2. Tournez le **sélecteur** au cycle voulu.
3. Choisissez les options désirées du cycle.
4. Appuyez sur le **sélecteur**. Le témoin de lavage s'arrête de clignoter et le nouveau cycle démarre.

Annulation d'un cycle

Pour annuler un cycle :

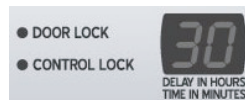
1. Appuyez sur la touche **Power Off** (Arrêt).
2. Choisissez la touche d'option **Rinse & Spin** (Rinçage et essorage) ou **Spin Only** (Essorage seulement).
3. Appuyez sur le **sélecteur**. Le témoin d'essorage s'allume et le rinçage ou l'essorage commence.



UTILISATION DES COMMANDES

AFFICHAGE DE LA DURÉE DE LAVAGE ESTIMÉE

Après avoir choisi le cycle et appuyé sur le **sélecteur**, l'afficheur indique le nombre de minutes restantes, estimé pour le cycle. Cette durée peut varier pour mieux indiquer la durée de lavage restante dans le cycle.



TÉMOINS LUMINEUX

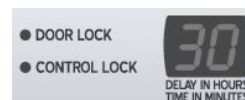
Door Lock (Verrouillage de la porte) – s'allume à chaque fois que la porte de la laveuse est verrouillée. La porte peut être déverrouillée en appuyant sur le **sélecteur** pour mettre la laveuse en pause.

Control Lock (Verrouillage des commandes) – les commandes de la laveuse peuvent être verrouillées pour empêcher une utilisation non intentionnelle par les enfants.

1. Appuyez sur les touches **Wash/Rinse Temp** et **Spin Speed** en même temps pendant trois secondes.

2. Le témoin de verrouillage des commandes s'allume.

3. Pour annuler le verrouillage, appuyez sur les touches **Wash/Rinse Temp** et **Spin Speed** en même temps pendant trois secondes. Le témoin de verrouillage des commandes s'éteint.



Témoins de cycle – les témoins Wash (Lavage), Rinse (Rinçage) et Spin (Essorage) en haut du tableau de commande, s'allument progressivement pour indiquer dans quelle portion du cycle se trouve la laveuse. Les témoins clignotent lorsque la laveuse est en pause.

Témoins de touche – les témoins au-dessus des touches s'allument lorsque la touche correspondante a été choisie.

Témoins de réglage de cycle – ces témoins à côté des réglages de cycle s'allument lorsque la sélection correspondante a été faite.



CONSOMMATION D'EAU

COMMANDE DE NIVEAU D'EAU

La quantité d'eau utilisée varie avec chaque lessive. La laveuse Amana donne automatiquement la quantité appropriée d'eau pour obtenir d'efficaces performances de lavage et une conservation de l'eau et de l'énergie. La durée de remplissage varie selon la pression de l'eau.

UTILISATION DE DÉTERGENT

La laveuse Amana TL est conçue pour utiliser des détergents de grande efficacité (HE).



- Pour de meilleurs résultats, utiliser un détergent de grande efficacité comme Tide HE, Wisk HE, Cheer HE ou Gain HE*. Les détergents de grande efficacité contiennent des produits anti-mousse qui réduisent ou éliminent la mousse. Avec moins de mousse produite, la charge culbute de façon plus efficace et les résultats de nettoyage sont maximisés.

CARACTÉRISTIQUES

DISTRIBUTEUR AUTOMATIQUE

La laveuse comporte plusieurs compartiments pour permettre la distribution du détergent et de l'agent de blanchiment (sans danger pour les couleurs), de l'agent de blanchiment chloré et de l'assouplissant. Tous les additifs lessiviels sont ajoutés dans leur compartiment respectif avant le démarrage de la laveuse.

Le distributeur automatique DOIT TOUJOURS être en place avant que vous ne mettiez la laveuse en marche. N'ouvrez PAS le distributeur automatique lorsque la laveuse est en marche.

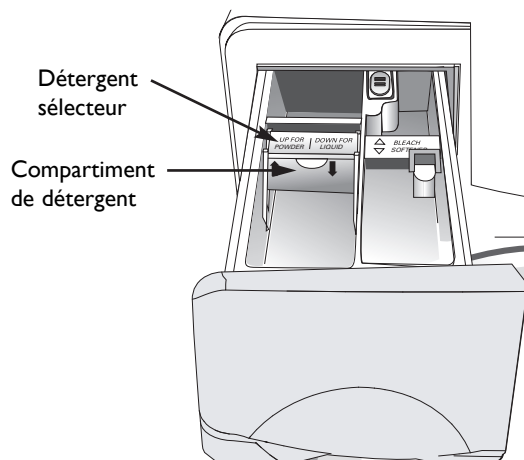
Pour vous en servir :

1. Sortez le tiroir du distributeur sur le côté gauche du tableau de commande.
2. Remplissez les compartiments appropriés d'additifs lessiviels, en faisant attention de ne pas trop remplir ou renverser des additifs.
3. Remettez soigneusement le tiroir du distributeur et introduisez-le à fond dans le compartiment.

COMPARTIMENT DE DÉTERGENT

1. Versez la quantité recommandée de détergent directement dans le compartiment approprié avant de mettre en marche la laveuse.
 2. Si vous utilisez de l'agent de blanchiment sans danger pour les couleurs, vous l'ajouterez avec le détergent dans le compartiment de détergent.
- Pour ajouter de l'agent de blanchiment sans danger pour les couleurs avec du détergent, il est préférable que les deux produits soient sous la même forme, poudre ou liquide.

REMARQUE : Si l'utilisation de détergent liquide, abaissez le Sélecteur de détergent et ajoutez du détergent dans le Compartiment de détergent.



CARACTÉRISTIQUES

DISTRIBUTEUR D'AGENT DE BLANCHIMENT CHLORÉ

(Agent de blanchiment chloré liquide seulement)

1. Versez de l'agent de blanchiment chloré dans le Compartiment d'agent de blanchiment. **Ne dépassez pas** la ligne MAX FILL.
2. Évitez d'en éclabousser ou d'en mettre excessivement.
3. La laveuse déverse automatiquement l'agent de blanchiment dans la cuve au moment approprié.
4. L'agent de blanchiment chloré liquide est dilué automatiquement *avant* qu'il n'atteigne le linge.

REMARQUES :

- **Ne versez JAMAIS de l'agent de blanchiment chloré liquide non dilué directement sur le linge ou dans la cuve.** C'est un produit chimique qui peut endommager les tissus, affaiblir les fibres ou atténuer les couleurs s'il n'est pas utilisé correctement.
- Si vous préférez utiliser un agent de blanchiment non chloré, sans danger pour les couleurs, ajoutez-le au compartiment de détergent. **Ne versez pas d'agent de blanchiment (sans danger) pour les couleurs dans le compartiment de blanchiment chloré.**

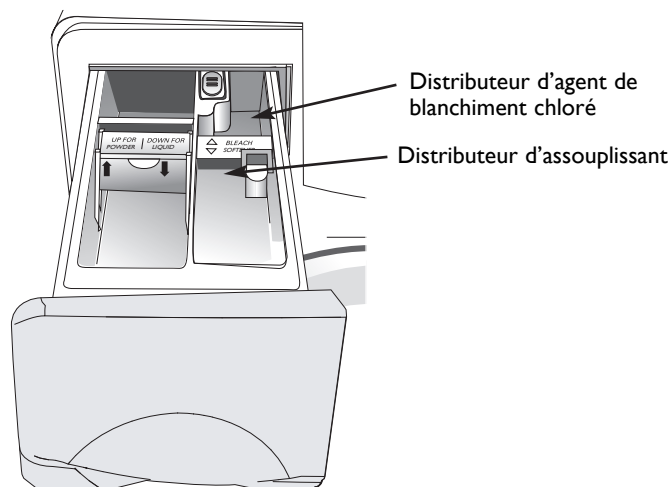
DISTRIBUTEUR D'ASSOUPLEISSANT

1. Versez la quantité recommandée d'assouplissant liquide dans le compartiment approprié. Pour des charges plus petites, utilisez *moins d'un capuchon*.
2. L'assouplissant doit être dilué avec de l'eau tiède jusqu'à ce qu'il atteigne la ligne MAX FILL du compartiment.
3. Ce distributeur libère automatiquement l'assouplissant liquide au bon moment pendant le rinçage final du cycle

REMARQUES :

- Utilisez le compartiment d'assouplissant *seulement* avec des assouplissants liquides.
- **Ne pas** utiliser d'une Downy Ball* avec cette laveuse. Elle n'ajoutera pas de l'assouplissant au bon moment. Servez-vous du distributeur automatique.

* Noms de marque déposées par des fabricants respectifs.



ENTRETIEN ET NETTOYAGE

Fermez les robinets d'eau après avoir terminé la lessive de la journée. Ceci coupe l'alimentation en eau de la laveuse et empêche l'éventualité de dommages en cas de fuite d'eau. Laissez la porte ouverte pour permettre à l'intérieur de la laveuse de sécher.

Utilisez un linge doux pour essuyer tout le détergent, l'agent de blanchiment ou autres produits renversés.

Nettoyez ce qui suit comme il est conseillé :

Tableau de commande – Nettoyez-le avec un linge souple et humide. Ne pulvérisez pas directement sur le tableau de commande de produits de nettoyage.

Caisse – Nettoyez-la à l'eau et au savon.

NETTOYAGE DE L'INTÉRIEUR

Nettoyez l'intérieur de la laveuse périodiquement pour enlever la poussière, la saleté, les odeurs, la moisissure, les résidus de moisissure ou de bactéries qui peuvent rester dans la laveuse après le lavage des vêtements. Nous recommandons de suivre les étapes suivantes tous les 60 à 120 jours pour nettoyer et rafraîchir l'intérieur de la laveuse. La fréquence à laquelle la laveuse doit être nettoyée et rafraîchie dépend de facteurs tels qu'utilisation, quantité de saleté ou bactéries passant par la laveuse, ou encore l'utilisation d'eau froide. Le non-respect de ces directives peut entraîner des conditions insatisfaisantes, incluant de mauvaises odeurs et/ou des taches permanentes sur la laveuse ou sur la lessive.

Nettoyage de l'intérieur :

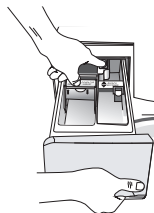
1. Préparer une solution de 500 mL (1 tasse) de javellisant et de 1000 mL (2 tasses) d'eau tiède. Faire attention à ne pas renverser ou éclabousser la solution de javellisant.
2. Essuyer la partie inférieure du joint de porte gris avec cette solution de javellisant et un linge souple.
3. Remplir le distributeur d'agent de blanchiment avec le javellisant.
4. Faire à la laveuse un cycle complet avec de l'eau très chaude.
5. Répéter au besoin le cycle de lavage.

Les dépôts dus à l'eau dure peuvent être enlevés si besoin est, à l'aide d'un produit de nettoyage recommandé portant l'étiquette «sans danger pour laveuse».

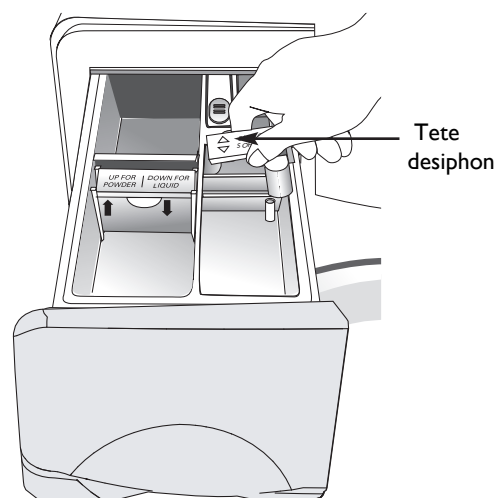
NETTOYAGE DES DISTRIBUTEURS

Il peut être nécessaire de nettoyer régulièrement le distributeur automatique suite à l'accumulation d'additifs.

1. Appuyez sur le levier de dégagement à l'intérieur du distributeur et sortez ce dernier.



2. Enlevez les godets des compartiments d'agent de blanchiment et d'assouplissant.
3. Lavez toutes les pièces à l'eau courante.
4. Nettoyez la cavité du distributeur avec une brosse ou un pinceau doux.
5. Réintroduisez les godets, en les poussant bien en place.
6. Remettez le distributeur dans sa cavité.
7. Faites faire un cycle rinçage et essorage à la laveuse sans linge à l'intérieur.



RANGEMENT DE LA LAVEUSE

Les laveuses peuvent subir des dommages si l'eau n'est pas retirée des tuyaux et des composants internes avant le remisage. Préparer la laveuse avant de la ranger, comme suit :

- Choisir le réglage **«Quick Wash»** (rapide) et ajouter une tasse d'agent de blanchiment au distributeur de détergent sans mettre de vêtements dans la cuve. Faire faire un cycle complet à la laveuse.

- Fermer les robinets d'eau et débrancher les tuyaux d'arrivée.
- Débrancher la laveuse de l'alimentation électrique et laisser la porte de la laveuse ouverte pour laisser l'air circuler à l'intérieur.
- Si la laveuse a été remise à des températures inférieures au gel, attendre que l'eau congelée à l'intérieur fonde avant d'utiliser la laveuse.

Pour obtenir des informations sur le remisage ou le rangement à long terme de la laveuse lors de températures extrêmement froides, contacter le service-client au numéro sans frais 1-866-587-2002.

RECHERCHE DE PANNES

VÉRIFIEZ CES POINTS AVEC VOTRE LAVEUSE WASHER...

La laveuse ne démarre pas

- Assurez-vous que la porte est bien fermée.
- Assurez-vous que la laveuse est branchée.
- Assurez-vous que les robinets d'eau est ouverts.
- Assurez-vous d'appuyer sur le **sélecteur** pour mettre en marche la laveuse.
- Assurez-vous que le verrouillage des commandes n'est pas activé (page 23).
- Avant que la laveuse ne commence à se remplir, elle fait une série de cliquetis pour vérifier le verrouillage de la porte et effectuer une brève vidange.

Pas d'eau ou insuffisamment d'eau

- Ouvrez les deux robinets à fond.
- Assurez-vous que la porte est bien fermée.
- Assurez-vous que la laveuse est branchée.
- Vérifiez les fusibles ou réenclenchez le disjoncteur.
- Appuyez sur le **sélecteur** pour mettre la laveuse en marche.
- Redressez les tuyaux d'eau.
- Débranchez les tuyaux et nettoyez les tamis. Les tamis peuvent être bouchés.
- Ouvrez et fermez la porte, puis appuyez sur le **sélecteur**.

Du détergent reste dans le distributeur automatique après la fin du cycle de lavage

- Assurez-vous que l'eau est à une pression suffisante. Voyez les instructions d'installation.
- Assurez-vous qu'avec du détergent en poudre, le sélecteur de détergent est en position relevée.

La laveuse vibre ou est trop bruyante

- Assurez-vous que la laveuse est sur une surface plane. Sinon, ajustez les pieds pour mettre l'appareil à niveau. Voyez les instructions d'installation.
- Assurez-vous que les boulons d'expédition sont enlevés. Voyez les instructions d'installation.
- Assurez-vous que la laveuse ne touche aucun autre objet.
- Assurez-vous que la charge de linge est bien équilibrée.

SUITE

RECHERCHE DE PANNES

VÉRIFIEZ CES POINTS AVEC VOTRE LAVEUSE WASHER...

Arrêts	<ul style="list-style-type: none">• Branchez la laveuse dans une prise sous tension.• Vérifiez le fusible ou réenclenchez le disjoncteur.• Fermez la porte et appuyez sur le sélecteur pour mettre la laveuse en marche. Pour votre sécurité, la laveuse ne culbute pas ni n'essore tant que la porte n'est pas fermée. Ceci peut être une pause ou une période de trempage du cycle. Attendez un peu et elle pourra redémarrer.• Avant que la laveuse ne commence à se remplir, elle fait une série de cliquetis pour vérifier le verrouillage de la porte et effectuer une brève vidange.• Ceci peut être une pause ou une période de trempage du cycle. Attendez un peu et elle pourra redémarrer.• Vérifiez que les tamis, les tuyaux d'arrivée d'eau au niveau des robinets ne sont pas bouchés. Nettoyez périodiquement les tamis.
Se remplit d'une eau à une température inappropriée	<ul style="list-style-type: none">• Ouvrez les deux robinets à fond.• Assurez-vous du bon choix de la température.• Assurez-vous que les tuyaux sont bien raccordés aux bons robinets. Purgez les conduites d'eau.• Vérifiez le chauffe-eau. Il devrait fournir de l'eau à une température minimale de 49° C (120° F) au robinet. Vérifiez aussi la capacité du chauffe-eau et son taux de renouvellement.• Débranchez les tuyaux et nettoyez les tamis. Les tamis des tuyaux risquent d'être bouchés.• Lors du remplissage de la laveuse, la température de l'eau peut changer au fur et à mesure que la commande automatique de température vérifie la température de l'eau d'arrivée. Ceci est normal.• Lors du remplissage de la laveuse, vous pourrez remarquer de l'eau à peine chaude ou à peine froide traversant le distributeur lorsque vous avez choisi des températures de lavage à l'eau froide ou tiède. Ceci est une fonction normale de la commande automatique de température, alors que la laveuse détermine la température de l'eau.
Ne culbute pas	<ul style="list-style-type: none">• Vérifiez le fusible ou réenclenchez le disjoncteur.• Fermez la porte et appuyez sur le sélecteur pour mettre la laveuse en marche. Pour votre sécurité, la laveuse ne culbute pas ni n'essore tant que la porte n'est pas fermée.
Porte verrouillée; ne s'ouvre pas	<ul style="list-style-type: none">• Appuyez sur le sélecteur pour arrêter la laveuse.• Le mécanisme de verrouillage de la porte peut prendre quelques instants pour se déverrouiller.• La porte de la laveuse reste verrouillée pendant la partie chauffage du cycle Sanitaire (certains modèles).
Rafrâichissement de votre laveuse	<ul style="list-style-type: none">• Voyez Nettoyage de l'intérieur à la page 28.
La laveuse n'essore pas ni n'évacue l'eau	<ul style="list-style-type: none">• Vérifiez le fusible ou réenclenchez le disjoncteur.• Redressez les tuyaux d'évacuation s'ils sont entortillés. S'il y a un engorgement, appelez le service après-vente.• Fermez la porte et appuyez sur le sélecteur pour mettre la laveuse en marche. Pour votre sécurité, la laveuse ne culbute pas ni n'essore tant que la porte n'est pas fermée.
Le linge est trop humide à la fin du cycle	<ul style="list-style-type: none">• Choisissez la vitesse d'essorage Élevée ou Extraction maximale.• Utilisez un détergent de grande efficacité pour réduire l'excès de mousse.• La charge de linge est trop petite. De très petites charges (un ou deux articles) peuvent créer un déséquilibre donnant un essorage incomplet.
Fuites d'eau	<ul style="list-style-type: none">• Assurez-vous que la porte est bien fermée.• Assurez-vous que les raccordements de tuyau sont bien serrés.• Assurez-vous que l'extrémité du tuyau d'évacuation est bien insérée et fixée au système d'évacuation.• Évitez de surcharger la laveuse.• Utilisez un détergent de grande efficacité pour réduire l'excès de mousse.
Excès de mousse	<ul style="list-style-type: none">• Utilisez un détergent à haute efficacité pour empêcher l'excès de mousse.• Réduisez la quantité de détergent lorsque l'eau est douce, la charge petite ou le linge peu sale.

Pour une demande d'assistance, contacter sans frais le service à la clientèle au 1-866-587-2002.

RECHERCHE DE PANNES

CODES D'INFORMATIONS

Les codes d'information peuvent être affichés pour aider à mieux comprendre ce qui se passe dans la laveuse.

Symbole (code)	Signification	Solution
dc	Une charge déséquilibrée empêche l'essorage d'avoir lieu.	Répartissez la charge, appuyez sur Cycle Selector (sélecteur de cycle).
dl	La porte est déverrouillée quand la laveuse fonctionne.	Appuyez sur Power Off puis, relancez le cycle. Si le code réapparaît, appelez le service après-vente (ci-dessous).
ds	La porte est ouverte lorsque la laveuse fonctionne.	Fermez bien la porte et relancez le cycle. Si le code réapparaît, appelez le service après-vente (ci-dessous).
fl	Absence de verrouillage de la porte.	Fermez bien la porte et relancez le cycle. Si le code réapparaît, appelez le service après-vente (ci-dessous).
hi-	Problème de contrôle de la température de l'eau (Problème de commande de température de réchauffeur.)	Appelez le service après-vente (ci-dessous).
le	La laveuse a essayé de se remplir mais le niveau d'eau approprié n'a pas été atteint.	Appelez le service après-vente (ci-dessous).
lo	La porte ne se déverrouille pas.	Assurez-vous que la porte est bien fermée. Appuyez sur Power Off pour arrêter la laveuse, et redémarrez en appuyant sur n'importe quelle touche. Si le code réapparaît, appelez le service après-vente (ci-dessous).
l3	Le moteur ne fonctionne pas correctement.	Relancez le cycle en appuyant sur le sélecteur. Si le code réapparaît, appelez le service après-vente (ci-dessous).
nd	Absence d'évacuation.	Reportez-vous à la section « Absence d'essorage/évacuation d'eau à la page 30. Si le problème persiste, appelez le service après-vente (ci-dessous).
nf	La laveuse a essayé de se remplir mais n'a pas réussi.	Vérifiez que les robinets sont ouverts à fond. Vérifiez qu'aucun tuyau n'est entortillé. Vérifiez les tamis d'arrivée des tuyaux de remplissage.
si-	Problème de commande.	Appelez le service après-vente (ci-dessous).
pf	Il y a eu panne de courant pendant que la laveuse fonctionnait.	Relancez le cycle en appuyant sur le sélecteur.

Pour tout code non énuméré ci-dessus, contacter sans frais le service-client au 1-866-587-2002.

BRUITS DE FONCTIONNEMENT

<p>Son aigu durant un essorage.</p>	<ul style="list-style-type: none"> • Accélération du moteur pour l'essorage de la charge.
<p>Son d'évacuation d'eau provenant de la zone du distributeur.</p>	<ul style="list-style-type: none"> • Introduction du détergent dans la cuve au début du cycle. L'agent de blanchiment est ensuite introduit durant les dernières minutes du lavage. L'assouplissant est introduit durant le troisième rinçage, alors que la machine se remplit.
<p>Bruissement de rotation ou clapotement suivi d'une pause, répété lors du cycle de lavage.</p>	<ul style="list-style-type: none"> • La cuve tourne dans une direction, puis fait une pause. Elle tourne ensuite dans l'autre direction, puis fait une pause. Ceci se répète pendant tout le cycle.
<p>Légère réduction de la vitesse d'essorage après l'atteinte d'une vitesse plus élevée.</p>	<ul style="list-style-type: none"> • Après avoir atteint la vitesse d'essorage maximale, la machine peut légèrement réduire cette vitesse pour obtenir une performance maximale.
<p>Réduction considérable de la vitesse d'essorage avec une charge qui semble déséquilibrée.</p>	<ul style="list-style-type: none"> • La cuve accélère jusqu'à sa vitesse maximale, puis ralentit pour permettre une redistribution du linge si la charge n'est pas parfaitement équilibrée.
<p>Addition d'eau après une période prolongée de culbutage.</p>	<ul style="list-style-type: none"> • La laveuse Amana utilise un système de remplissage adaptatif. De l'eau est ajoutée durant le cycle de lavage, selon le besoin. • De l'eau passe à travers le distributeur à l'instant approprié pour la dilution et l'introduction de l'agent de blanchiment ou de l'assouplissant. Ceci se produit même si l'on n'a pas utilisé d'agent de blanchiment ou d'assouplissant.
<p>Cliquetis/bruits de vidange lorsque la laveuse a débuté son cycle.</p>	<ul style="list-style-type: none"> • Avant que la laveuse ne commence à se remplir, elle fait une série de cliquetis pour vérifier le verrouillage de la porte et effectuer une brève vidange.
<p>La laveuse émet un bip après le début du cycle.</p>	<ul style="list-style-type: none"> • Ceci est une confirmation auditive que la porte a été bien verrouillée.
<p>Air rythmé sortant durant l'essorage.</p>	<ul style="list-style-type: none"> • À cause du mouvement de la cuve durant le cycle d'essorage, l'air est transféré à l'intérieur et à l'extérieur de la cuve pour une performance optimale.
<p>Sons rapides d'éclatement et/ou de claquage de l'arrière de la laveuse durant l'essorage.</p>	<ul style="list-style-type: none"> • L'eau est extraite à travers les trous d'évacuation de l'essoreuse centrifuge et frappe la cuve extérieure avant de sortir de la machine.

Garantie

Garantie limitée d'un an - pièces et main-d'œuvre

Durant une période d'un (1) an à compter de la date de l'achat initial, toute pièce qui se révélerait défectueuse dans les conditions normales d'usage ménager sera réparée ou remplacée gratuitement.

Résidents du Canada

Les garanties ci-dessus couvrent un appareil installé au Canada seulement s'il a été agréé par les agences de test habilitées (vérification de la conformité à une norme nationale du Canada), sauf si l'appareil a été introduit au Canada à l'occasion d'un changement de résidence des États-Unis vers le Canada.

*Les garanties spécifiques formulées ci-dessus sont les **SEULES** que le fabricant accorde. Ces garanties vous confèrent des droits juridiques spécifiques et vous pouvez également jouir d'autres droits, variables d'un État à l'autre ou d'une province à l'autre.*

Ne sont pas couverts par ces garanties

1. Les problèmes et dommages résultant des situations suivantes :
 - a. Mise en service, livraison ou entretien effectués incorrectement.
 - b. Toute réparation, modification, altération et tout réglage non autorisés par le fabricant ou par un prestataire de service après-vente agréé.
 - c. Mauvais emploi, emploi abusif, accidents, usage non raisonnable, ou catastrophe naturelle.
 - d. Courant électrique, tension, alimentation électrique ou en gaz incorrects.
 - e. Réglage incorrect d'une commande.
 - f. Utilisation des supports (socles) qui ne sont pas de marque Maytag.
2. Les garanties ne peuvent être honorées si les numéros de série d'origine ont été enlevés, modifiés ou ne sont pas facilement lisibles.
3. Ampoules, filtres à eau et filtres à air.
4. Les produits achetés à des fins commerciales ou industrielles.
5. Les frais de dépannage ou de visite pour :
 - a. Correction d'erreurs de mise en service. Pour les produits nécessitant une ventilation, un conduit métallique rigide doit être utilisé.
 - b. Initiation de l'utilisateur à l'emploi de l'appareil.
 - c. Transport de l'appareil chez le réparateur et retour de l'appareil chez l'utilisateur.
 - d. Résolution des problèmes reliés aux supports qui ne sont pas de marque Maytag.
6. Tout aliment perdu en raison de pannes du réfrigérateur ou du congélateur.
7. Dépenses de déplacement et de transport pour la réparation du produit dans des endroits éloignés.
8. Cette garantie n'est pas valide à l'extérieur des États-Unis et du Canada. Communiquez avec votre détaillant pour savoir si une autre garantie s'applique.
9. Dommages indirects ou accessoires subis par toute personne à la suite d'une quelconque violation de la garantie. Certains États ou provinces ne permettent pas l'exclusion ou la limitation de responsabilité en ce qui concerne les dommages directs ou indirects. L'exclusion ci-dessus peut en conséquence ne pas s'appliquer à votre cas.

Si vous avez besoin d'aide

Consultez d'abord la section sur le dépannage dans le manuel d'utilisation et d'entretien, puis appelez le détaillant de qui vous avez acheté votre appareil ou le service à la clientèle de Amana Services, LLC au 1-800-843-0304 aux États-Unis et au 1-866-587-2002 au Canada pour savoir où trouver un réparateur autorisé.

- Veillez à conserver la facture d'achat pour justifier de la validité de la garantie. Pour d'autres renseignements concernant les responsabilités du propriétaire à l'égard du service sous garantie, voir le texte de la GARANTIE.
- Si le détaillant ou l'agence de service après-vente ne peut résoudre le problème, écrivez à Amana Services, LLC à l'adresse suivante : Amana Customer Service, 553 Benson Road, Benton Harbor, MI 49022 ou appelez au 1-800-843-0304 aux États-Unis ou au 1-866-587-2002 au Canada.
- Les guides d'utilisation, les manuels de service et les renseignements sur les pièces sont disponibles auprès du service à la clientèle de Amana Services, LLC.

Remarques : Veillez à fournir l'information suivante lorsque vous communiquez avec nous au sujet d'un problème :

- a. Vos nom, adresse et numéro de téléphone;
- b. Numéro de modèle et numéro de série de l'appareil;
- c. Nom et adresse du détaillant avec la date l'appareil acheté;
- d. Description détaillée du problème observé;
- e. Preuve d'achat (facture de vente).

LE SEUL ET UNIQUE RECOURS DU CLIENT EN VERTU DE CETTE GARANTIE LIMITÉE EST LA RÉPARATION DU PRODUIT COMME DÉCRITE PRÉCÉDEMMENT. LES GARANTIES IMPLICITES, Y COMPRIS LES GARANTIES DE QUALITÉ MARCHANDE OU D'ADAPTATION À UN USAGE PARTICULIER, SONT LIMITÉES À UN AN OU À LA PÉRIODE LA PLUS COURTE PERMISE PAR LA LOI AMANA CORPORATION NE SERA PAS TENUE RESPONSABLE DES DOMMAGES DIRECTS OU INDIRECTS. CERTAINS ÉTATS ET CERTAINES PROVINCES INTERDISENT L'EXCLUSION ET LA LIMITATION DES DOMMAGES DIRECTS OU INDIRECTS AINSI QUE LES LIMITATIONS SUR LA DURÉE DES GARANTIES IMPLICITES DE QUALITÉ MARCHANDE OU D'ADAPTATION À UN USAGE PARTICULIER. IL EST DONC POSSIBLE QUE CES LIMITATIONS NE S'APPLIQUENT PAS À VOUS. CETTE GARANTIE VOUS CONFÈRE DES DROITS JURIDIQUES SPÉCIFIQUES ET IL SE PEUT QUE VOUS AYIEZ D'AUTRES DROITS, QUI VARIENT D'UN ÉTAT À L'AUTRE OU D'UNE PROVINCE À L'AUTRE.



Lavadora

GUÍA

D E U S O Y C U I D A D O

TABLA DE MATERIAS

Instrucciones sobre seguridad	35-36
Instrucciones de funcionamiento.....	37
Uso de los controles	38-42
Uso del agua	42
Uso de detergente	43
Características.....	43-44
Cuidado y limpieza.....	45
Almacenamiento de la lavadora	46
Localización y solución de averías.....	46-48
Sonidos normales de funcionamiento.....	49
Garantía.....	Ultima página

BIENVENIDA

¡Nuestra bienvenida y felicitaciones por la compra de una lavadora Amana!
Su completa satisfacción es muy importante para nosotros. Para obtener los mejores resultados le sugerimos que lea esta guía para familiarizarse con los procedimientos apropiados de funcionamiento y mantenimiento.

Si necesita ayuda en el futuro, es útil:

- 1) Tener el número completo de modelo y de serie para identificación de su lavadora.

Fecha de Compra _____

Número de Modelo _____

Número de Serie _____

- 2) **IMPORTANTE: Conserve esta guía y el recibo de compra en un lugar seguro para referencia futura. Para obtener servicio bajo la garantía es necesario compr obar la fecha de compra original.**

Si tiene alguna consulta, llame a:

Service a los clientes
1-800-843-0304 EE.UU.
1-866-587-2002 CANADÁ
(De lunes a viernes de 8 a.m. a 8 p.m.
hora del Este)
Internet: <http://www.amana.com>

NOTA: En nuestro continuo afán de mejorar la calidad de nuestros electrodomésticos, puede que sea necesario hacer modificaciones a la lavadora sin actualizar esta guía.

Para información sobre servicio y garantía, ver la Última página.

INSTRUCCIONES IMPORTANTE SOBRE SEGURIDAD

lea antes de poner en funcionamiento su lavadora

INFORMACIÓN SOBRE LAS INSTRUCCIONES DE SEGURIDAD

Las advertencias e instrucciones importantes sobre seguridad que aparecen en este manual no están destinadas a cubrir todas las posibles circunstancias y situaciones que puedan ocurrir. Se debe ejercer sentido común, precaución y cuidado cuando instale, efectúe mantenimiento o cuando use este electrodoméstico.

Siempre póngase en contacto con su fabricante si surgen problemas o situaciones que usted no comprenda.

RECONOZCA LOS SÍMBOLOS, ADVERTENCIAS Y ETIQUETAS DE SEGURIDAD

ADVERTENCIA

ADVERTENCIA – Peligros o prácticas no seguras que **PODRIAN** causar lesión personal grave o mortal.

PRECAUCIÓN

PRECAUCIÓN – Peligros o prácticas no seguras que **PODRIAN** causar lesión personal menos grave o daños materiales.

CONSERVE ESTAS INSTRUCCIONES

INSTRUCCIONES IMPORTANTE SOBRE SEGURIDAD

ADVERTENCIA

Para reducir el riesgo de incendio, explosión, choque eléctrico, daños materiales o lesiones personales cuando usa su electrodoméstico, siga las precauciones básicas y las que se indican a continuación:

1. Lea todas las instrucciones antes de usar el electrodoméstico.
2. Al igual que con cualquier equipo eléctrico y con piezas móviles, existen posibles riesgos con su uso. Para usar este electrodoméstico de manera segura, el usuario debe familiarizarse con las instrucciones de funcionamiento del mismo y usarlo siempre con precaución.
3. No instale o almacene este electrodoméstico a la intemperie.
4. Instale y nivele la lavadora de ropa en un piso que pueda soportar su peso.
5. Este electrodoméstico debe ser debidamente puesto a tierra. Nunca enchufe el electrodoméstico en un tomacorriente que no esté debidamente puesto a tierra de acuerdo con los códigos locales y nacionales. Consulte las instrucciones de instalación para la puesta a tierra de este electrodoméstico.
6. Para evitar la posibilidad de un incendio o explosión:
 - No lave artículos que hayan sido limpiados, lavados, remojados o rociados anteriormente con gasolina, solventes de limpieza en seco u otras sustancias inflamables o volátiles ya que emiten gases que pueden encenderse o explotar. Lave a mano y deje secar al aire libre los artículos que contengan estas sustancias.

Cualquier material que haya entrado en contacto con solvente o que esté saturado de líquidos o sólidos inflamables no debe ser lavado en la lavadora hasta que todos los rastros de estos líquidos o sólidos y sus gases se hayan removido.

Estos artículos incluyen la acetona, el alcohol desnaturalizado, la gasolina, el keroseno, algunos limpiadores líquidos, algunos quitamanchas, la trementina, las ceras y los removedores de cera.

 - No añada gasolina, solventes de lavado en seco u otras sustancias inflamables o volátiles en el agua de lavado. Estas sustancias emiten gases que pueden encenderse o explotar.
 - Bajo ciertas condiciones, el gas de hidrógeno puede ser producido en un sistema de agua caliente que no ha sido usado durante 2 semanas o más. **EL GAS DE HIDRÓGENO ES EXPLOSIVO.** Si el sistema de agua caliente no ha sido utilizado en un período de dicha longitud, abrir las llaves del agua caliente y deje que el agua fluya durante varios minutos antes de usar una lavadora o combinación de lavadora y secadora. Esto liberará cualquier cantidad de gas de hidrógeno que se haya acumulado. Como este gas es inflamable, no fume o use una llama abierta durante este tiempo.
7. Desconecte el suministro eléctrico antes de reparar su lavadora.
8. No introduzca las manos en el electrodoméstico cuando el tambor esté en movimiento.
9. No permita que los niños jueguen sobre o dentro del electrodoméstico. Se requiere supervisión estricta cuando se use el electrodoméstico cerca de niños.
10. No altere los controles.
11. No repare o reemplace ninguna pieza de este electrodoméstico ni intente realizar el servicio a menos que sea recomendado en publicaciones con instrucciones de reparación para el usuario que usted comprenda y que tenga las habilidades para llevarlo a cabo.
12. Almacene los ayudantes de lavandería y otros materiales en un lugar fresco y seco donde los niños no puedan alcanzarlos.
13. No lave o seque artículos que estén manchados con aceite vegetal o de cocina. Los mismos pueden retener parte del aceite después del lavado. Debido al aceite restante, la tela puede producir humo o encenderse por sí sola.
14. No use blanqueador con cloro y amoníaco o ácidos (tales como el vinagre o el removedor de óxido) en la misma carga de ropa ya que se pueden producir gases peligrosos.
15. No lave materiales de fibra de vidrio en la lavadora. Las partículas pequeñas se pueden adherir a las telas en las cargas siguientes y causar irritación de la piel.
16. Antes de desinstalar el electrodoméstico para realizar reparaciones o para descartarlo, retire la puerta del compartimiento de lavado.
17. No se sienta sobre la lavadora.
18. Las mangueras de entrada están sujetas a daños y deterioramiento con el pasar del tiempo. Verifique estas mangueras de vez en cuando para asegurarse de que no presenten bultos, torceduras, cortes, desgaste o escapes, y reemplácelas cada cinco años.

INSTRUCCIONES DE FUNCIONAMIENTO

COLOCACIÓN DE LA ROPA EN LA LAVADORA

- La tina puede llenarse completamente con ropa seca sin doblar. Sin embargo, NO sobrecargue la tina.
- Si se coloca demasiada ropa se puede afectar la eficacia del lavado y posiblemente causar pliegues o arrugas en la ropa.
- Lave los artículos delicados tales como sostenes, medias y otra ropa interior en el ciclo "Delicates" (Telas delicadas) o "Hand Wash" (Lavables a mano) junto con artículos similares livianos.
- Cuando lave artículos más pequeños y voluminosos que no llenen la tina completamente tales como una alfombra, una almohada, peluches o uno o dos abrigos, añada algunas toallas para mejorar la acción giratoria y el rendimiento del centrifugado.
- Cuando lave artículos voluminosos más pequeños que no llenen completamente la tina, tal como un tapete, una funda, juguetes de peluche o uno o dos suéteres, se recomienda agregar una o dos toallas para mejorar la eficacia de la agitación y del centrifugado.
- Cuando lave ropas que estén extremadamente sucias, es muy importante evitar que se sobrecargue la lavadora a fin de asegurar una buena limpieza.
- Agregar un artículo olvidado en la superlavado, Normal, el control de la arruga o la colada rápida completa un ciclo, oprima la tecla 'Cycle Selector', espere hasta que se apague la luz 'Door Lock' de la puerta), agregue el artículo, cierre la tapa y oprima la tecla 'Cycle Selector'. Después de una pausa de uno o dos minutos, el ciclo se reanudará.
- Cierre cuidadosamente la tapa para evitar golpearla.

NOTA: Para asegurar que los artículos agregados posteriormente queden limpios, no espere más de cinco minutos después que haya comenzado el ciclo para agregarlos.

ENCIENDA LA LAVADORA

1. Cargue la lavadora holgadamente – NO la sobrecargue.
2. Cierre la puerta.
3. Añada el detergente y los aditivos en el distribuidor (vea las páginas 43-44).
4. Seleccione el ciclo adecuado y las opciones para la carga (vea las páginas 38-41).
5. Oprima la tecla '**Cycle Selector**' (Selección del ciclo).
6. La luz indicadora de lavado se encenderá.
7. El tiempo estimado de duración del ciclo se desplegará en el indicador visual. El tiempo puede variar para indicar con mayor precisión el tiempo de lavado restante en el ciclo.
8. Antes de que la lavadora comience a llenarse, hará una serie de ruidos como chasquidos para verificar el cierre de la puerta y hacer un desagüe rápido.

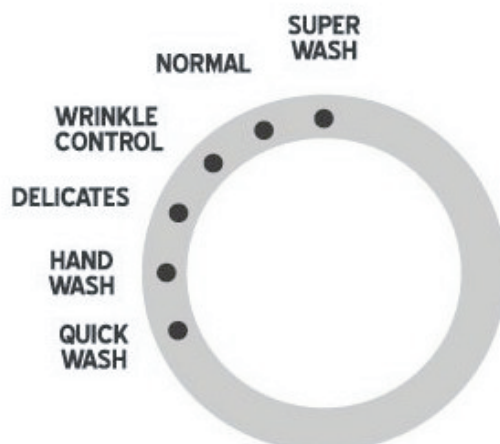
Notas:

- Cuando el ciclo haya finalizado, la luz de bloqueo de la puerta se apagará y 'End' (Fin) o "00" (modelos selectos) aparecerá en la pantalla.
- NO intente abrir la puerta hasta que la luz de bloqueo de la puerta se haya apagado. Para añadir un artículo olvidado, vea la sección cargue la lavadora.
- Cuando la lavadora se reinicie después de una interrupción, la misma permanecerá apagada hasta por 15 segundos antes de que el ciclo continúe.
- Si oprime la tecla '**Power Off**' (Apagar), anulará el ciclo y detendrá la lavadora.
- Las luces indicadoras de lavado, enjuague y centrifugado se iluminarán durante las porciones correspondientes del ciclo.

USO DE LOS CONTROLES

Paso 1

SELECCIONE EL CICLO



Seleccione el ciclo apropiado para el tipo de carga. Esto determinará el patrón de movimiento del tambor y la velocidad de centrifugado del ciclo.

NOTA: Para minimizar las arrugas de la ropa, seleccione el ciclo de control de arrugas.

“Super Wash” (superlavado) – Para telas resistentes que no destiñen y para artículos de ropa muy sucios.

Normal – Para la mayoría de las telas, incluyendo el algodón, el lino y los artículos de ropa con suciedad normal.

“Wrinkle Control” (control de arrugas) – Para telas de tipo “lavar y usar” y sintéticas y para los artículos de ropa con suciedad leve a normal.

“Delicates” (ropa delicada) – Para telas tejidas, sostenes y lencería.

“Hand Wash” (lavado a mano) – Para lavar lana, seda y otras telas que sólo deben ser lavadas a mano. Para obtener los mejores resultados, use detergente líquido.

“Quick Wash” (lavado rápido) – Para artículos de ropa ligeramente sucios o arrugados que se necesitan con urgencia. Las características de control varían según el modelo.

USO DE LOS CONTROLES

Paso 2

SELECCIONE LA TEMPERATURA DEL AGUA DE LAVADO / ENJUAGUE

Oprima la tecla flechada para seleccionar las temperaturas de lavado y enjuague. Siga las instrucciones de la etiqueta de cuidado de la ropa y la siguiente tabla para obtener los mejores resultados.

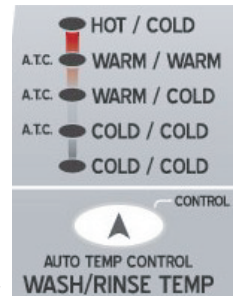
"Hot/Cold" (caliente/fría) - Artículos de ropa blanca y que no destiñen que estén muy sucios.

"ATC Warm/Warm" (tibia/tibia con ATC) - Artículos de ropa que no destiñen. Cuando se selecciona un enjuague tibio, sólo el enjuague final será tibio. Los demás enjuagues serán fríos para ahorrar energía.

"ATC Warm/Cold" (tibia/fría con ATC) - Artículos moderadamente sucios, que no destiñen, y la mayoría de las telas inarrugables.

"ATC Cold/Cold" (fría/fría con ATC) - Artículos de ropa de color y levemente sucios.

"Cold/Cold" (fría/fría) - Artículos de ropa de color, levemente sucios y de lana lavable.



IMPORTANTE: La lavadora cuenta con un control automático de temperatura ("ATC") para proporcionar un lavado tibio de aproximadamente 105°F (40°C), un lavado frío de aproximadamente 65°F (18°C) y un enjuague tibio de aproximadamente 80°F (27°C) sólo para el enjuague final cuando se usan los ajustes de temperatura con ATC.

RECUERDE: Los detergentes no se disuelven o limpian bien en agua a una temperatura menor de 65°F (18°C).

Paso 3

SELECCIONE LA VELOCIDAD DE CENTRIFUGADO

Oprima la tecla flechada para seleccionar la velocidad de centrifugado.

"High" (alta) - Use este ajuste para ropa interior, camisetas, mezclilla y algodones resistentes.

"Medium" (intermedia) - Use este ajuste para pantalones de mezclilla, telas inarrugables o de tipo "lavar y usar" y telas sintéticas.

"Gentle" (delicado) - Use este ajuste para artículos de ropa que se deben colgar o tender para secarse.

"Low" (bajo) - Use este ajuste para artículos delicados que requieran una velocidad de centrifugado lenta por el tipo y tejido de la tela.



USO DE LOS CONTROLES

Paso 4

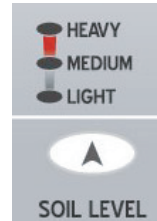
SELECCIONE EL NIVEL DE SUCIO

Oprima la tecla flechada para seleccionar el nivel de suciedad/tiempo de lavado.

“Heavy” (fuerte) – Use para lavar cargas de ropa muy sucias.

“Medium” (intermedio) – Use para lavar cargas de ropa moderadamente sucias. Este ajuste es el apropiado para la mayoría de las cargas de ropa.

“Light” (suave) – Use para lavar cargas de ropa levemente sucias.



Paso 5

SELECCIONE LAS OPCIONES DEL CICLO

Oprima la(s) tecla(s) adecuada(s) para seleccionar una o más opciones. La luz indicadora que se encuentra sobre la tecla se encenderá cuando se seleccione la opción correspondiente.

“Delay” (diferido) – Cualquier ciclo puede diferirse hasta por 9 horas en incrementos de una hora.

1. Haga los ajustes apropiados para su carga de ropa.
2. Oprima la tecla **“Delay”** (diferido) hasta que el tiempo correcto se muestre en el indicador visual.
3. Oprima la perilla de **selección del ciclo**. El tiempo de diferimiento comenzará a contar.
4. Para cancelar el diferimiento, oprima la perilla de **“Power Off”** (apagado) y réempazar.

“Chime” (señal sonora) – Oprima la tecla **“Chime”** (señal sonora) para aumentar o disminuir el volumen de la señal de finalización del ciclo o para apagarla.

Bloqueo del control – Los controles de la lavadora pueden bloquearse para evitar que los niños la usen sin permiso.

1. Oprima las teclas **“Wash/Rinse Temp”** (temp. de lavado/enjuague) y **“Spin Speed”** (velocidad de centrifugado) a la vez durante tres segundos.
2. La luz indicadora de bloqueo del control se encenderá.
3. Para desbloquear el control, oprima las teclas **“Wash/Rinse Temp”** (temp. de lavado/enjuague) y **“Spin Speed”** (velocidad de centrifugado) a la vez durante tres segundos. La luz indicadora de bloqueo del control se apagará.



CONT.

USO DE LOS CONTROLES

SELECCIONE LAS OPCIONES DEL CICLO (CONT.)

Oprima la(s) tecla(s) adecuada(s) para seleccionar una o más opciones. La luz indicadora que se encuentra sobre la tecla se encenderá cuando se seleccione la opción correspondiente.

'Extra Rinse' (enjuague adicional) - Añade un enjuague adicional al final del ciclo para remover más efectivamente los aditivos y fragancias de lavado.

'Rinse and Spin' (enjuague y centrifugado) - Use para cargas que necesiten enjuague o para añadir suavizante durante el enjuague.

'Spin Only' (sólo centrifugado) - Proporciona un centrifugado para remover una mayor cantidad de agua de la ropa.

OPTION



Paso 6

ENCIENDA LA LAVADORA

Para encender la lavadora, oprima la perilla de **selección del ciclo**. Antes de que la lavadora comience a llenarse, hará una serie de ruidos como chasquidos para verificar el cierre de la puerta y hacer un desagüe rápido.

Cambio de ciclo

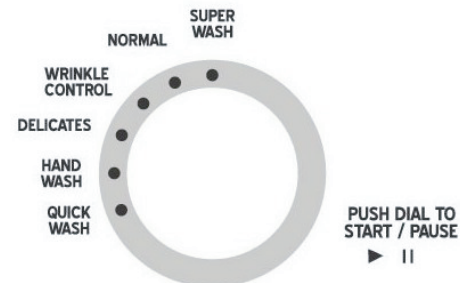
Si se seleccionó accidentalmente un ciclo incorrecto:

1. Oprima la perilla de **selección del ciclo**.
2. Gire la perilla de **selección del ciclo** a la posición deseada.
3. Programe las opciones deseadas para el ciclo.
4. Oprima la perilla de **selección del ciclo**. Las luces indicadoras de lavado dejan de destellar y el nuevo ciclo se inicia.

Anulación de un ciclo

Para anular un ciclo:

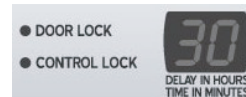
1. Oprima la tecla **Power Off** (apagado).
2. Seleccione las teclas de opción **"Rinse and Spin"** (enjuague y centrifugado) o **"Spin Only"** (sólo centrifugado).
3. Oprima la perilla de **selección del ciclo**. La luz indicadora de centrifugado se enciende y la lavadora inicia el enjuague o el centrifugado.



USO DE LOS CONTROLES

DESPLIEGUE DEL TIEMPO ESTIMADO

Después de programar el ciclo y de oprimir la perilla de selección del ciclo, la pantalla mostrará el tiempo restante estimado del ciclo en minutos. El tiempo restante estimado puede fluctuar para indicar con mayor precisión el tiempo que queda del ciclo.



LUCES INDICADORAS

“Door Lock” (bloqueo de la puerta) – Se enciende cada vez que se bloquea la puerta de la lavadora. La puerta puede desbloquearse oprimiendo la perilla de **selección del ciclo** para detener la lavadora.

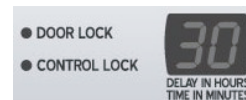
Bloqueo del control – Los controles de la lavadora pueden bloquearse para evitar que los niños la usen sin permiso.

1. Oprima las teclas **“Wash/Rinse Temp” (Temp. de Lavado/Enjuague)** y **“Spin Speed” (velocidad de centrifugado)** a la vez durante tres segundos.
2. La luz indicadora de bloqueo del control se encenderá.
3. Para desbloquear el control, oprima las teclas **“Wash/Rinse Temp” (Temp. de Lavado/Enjuague)** y **“Spin Speed” (velocidad de centrifugado)** a la vez durante tres segundos. La luz indicadora de bloqueo del control se apagará.

Luces indicadoras de ciclo – Las luces “Wash” (lavado), “Rinse” (enjuague) y “Spin” (centrifugado) en la parte superior del panel de control se encenderán progresivamente para indicar que la lavadora se encuentra en el ciclo correspondiente. Las luces de la lavadora destellarán cuando se haya interrumpido un ciclo.

Luces indicadoras de las teclas – Las luces indicadoras que se encuentran sobre las teclas se iluminarán cuando las teclas correspondientes sean seleccionadas.

Luces indicadoras de ajustes del ciclo – Las luces indicadoras que se encuentran junto a los ajustes del ciclo se encenderán cuando se seleccionen las opciones correspondientes.



USO DE AGUA

CONTROL DE NIVEL DE AGUA

La cantidad de agua utilizada variará con cada carga de ropa. La lavadora de ropa Amana proporcionará automáticamente la cantidad de agua para un rendimiento de limpieza eficiente y para el ahorro de agua y energía. El tiempo de llenado dependerá de la presión de agua.

USO DEL DETERGENTE

Su lavadora Amana ha sido diseñada para usar ya sea detergentes de alta eficacia (HE).



- Para obtener una mejor limpieza, use detergentes de alta eficacia tal como 'Tide HE', 'Whisk HE', 'Cheer HE', or 'Gain HE'*. Los detergentes de alta eficacia contienen supresores de espuma que reducen o eliminan la espuma. Cuando se produce menos espuma, la ropa se agita mejor y se obtiene una limpieza optimizada.

CARACTERÍSTICAS

DISTRIBUIDOR AUTOMÁTICO

La lavadora cuenta con compartimientos separados para distribuir detergente y blanqueador para ropa de color, blanqueador con cloro y suavizante de ropa. Todos los aditivos de lavandería se añaden en sus respectivos compartimientos antes de encender la lavadora.

El distribuidor automático SIEMPRE DEBE estar en su lugar antes de encender la lavadora. NO abra el distribuidor automático mientras la lavadora esté en funcionamiento.

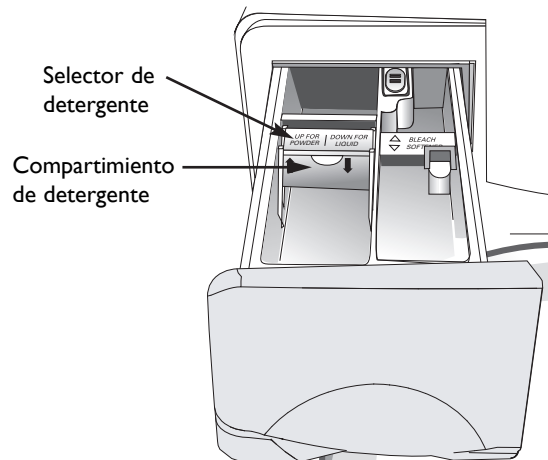
Para usar el distribuidor:

1. Saque el distribuidor que se encuentra en el lado izquierdo del panel de control.
2. Llene los compartimientos correspondientes con los aditivos de lavandería teniendo cuidado de no llenarlos demasiado o de derramar los aditivos.
3. Deslice el distribuidor cuidadosa y completamente dentro del compartimiento.

COMPARTIMIENTO DE DETERGENTE

1. Vierta la cantidad recomendada de detergente directamente en el compartimiento de detergente antes de encender la lavadora.
2. Si va a utilizar blanqueador para ropa de color, el mismo debe ser añadido con el detergente en el compartimiento de detergente.
 - Cuando añada blanqueador para ropa de color con el detergente, es mejor si ambos productos de lavandería están en el mismo estado: granulado o líquido.

NOTA: Si utiliza detergente líquido, baje el Selector de detergente y vierta el detergente en el Compartimiento.



CARACTERÍSTICAS

DISTRIBUIDOR DEL BLANQUEADOR DE CLORO

(Blanqueador líquido con cloro solamente)

1. Añada blanqueador con cloro en el compartimiento de blanqueador. **No** sobrepase la línea de llenado.
2. Evite salpicar el blanqueador o llenar demasiado el compartimiento.
3. La lavadora distribuye el blanqueador automáticamente en la tina en el momento adecuado.
4. El distribuidor diluye automáticamente el blanqueador con cloro *antes* de que llegue a la ropa.

NOTAS:

- **Nunca vacíe blanqueador a base de cloro líquido no diluido directamente en la ropa o en la tina.** Es un producto químico fuerte y puede dañar las telas, debilitando las fibras o causando pérdida de color, si no se usa en forma debida.
- Si prefiere usar blanqueador sin cloro para ropa que no destiñe, agréguelo en el compartimiento apropiado del detergente. **No coloque blanqueador para ropa que no destiñe en el distribuidor del blanqueador con cloro.**

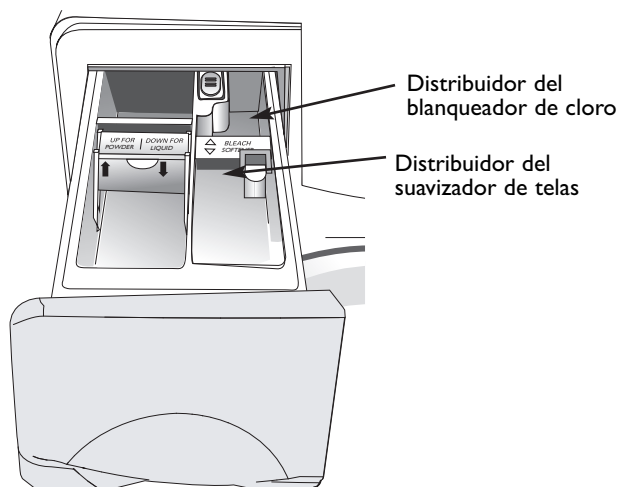
DISTRIBUIDOR DEL SUAVIZADOR DE TELAS

1. Vierta la cantidad recomendada de suavizante de ropa líquido en el compartimiento de suavizante. Para las cargas más pequeñas, use *menos de una tapa de suavizante*.
2. El suavizante debe diluirse en agua tibia hasta que alcance la línea de LLENADO MÁXIMO en el compartimiento.
3. El distribuidor libera automáticamente el suavizante de ropa líquido en el momento adecuado durante el ciclo de enjuague.

NOTAS:

- Use el distribuidor del suavizador de telas solamente para suavizadores de telas líquidos.
- **NO USE** el suavizador de telas 'Downy Ball'* con esta lavadora. No agregará suavizador de telas en el momento apropiado y puede dañar la lavadora. Use el distribuidor que tiene la lavadora.

* Los nombres de los productos son marcas registradas de sus respectivos fabricantes



CUIDADO Y LIMPIEZA

Apague las llaves de agua después de terminar el lavado de ropa del día. Esto cerrará el suministro de agua hacia la lavadora y evitará la improbable posibilidad de daños por escapes de agua. Deje la puerta abierta para permitir que el interior de la lavadora se seque.

Use un paño suave para limpiar el detergente, el blanqueador o cualquier otro derrame apenas ocurra.

LIMPIEZA DEL INTERIOR

Limpie el interior de la lavadora a menudo para remover cualquier residuo de sucio, manchas, olores, moho o bacterias que puedan quedar en la lavadora como resultado del proceso de limpieza de la ropa. Le recomendamos que siga los pasos siguientes cada 60 a 120 días para limpiar y refrescar el interior de su lavadora. La frecuencia de la limpieza de la lavadora depende de tales factores como el uso, la cantidad de suciedad, tierra o bacterias que pasen por su lavadora, o el uso de agua fría. El incumplimiento de estas instrucciones puede resultar en condiciones insatisfactorias, incluyendo la presencia de olores desagradables y/o manchas permanentes en la lavadora o en la ropa.

Limpie los siguientes elementos según se recomienda:

Panel de control – Limpie con un paño suave y húmedo. No use polvos abrasivos o esponjas de limpieza. No rocíe limpiadores directamente sobre el panel.

Gabinete – Limpie con agua y jabón.

Para limpiar y refrescar el interior de la lavadora:

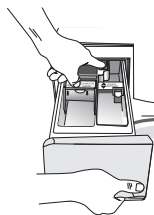
1. Mezcle una solución de una taza de blanqueador con cloro y dos tazas de agua tibia. Tenga cuidado de no derramar o salpicar la solución de blanqueador.
2. Limpie el sello de la puerta con la solución de blanqueador y un paño suave.
3. Llene el distribuidor de blanqueador con blanqueador con cloro.
4. Programe un ciclo completo de lavado con agua caliente.
5. Repita el ciclo de lavado si es necesario.

Si es necesario, se pueden eliminar los depósitos de agua dura con un limpiador recomendado marcado como seguro para lavadoras de ropa.

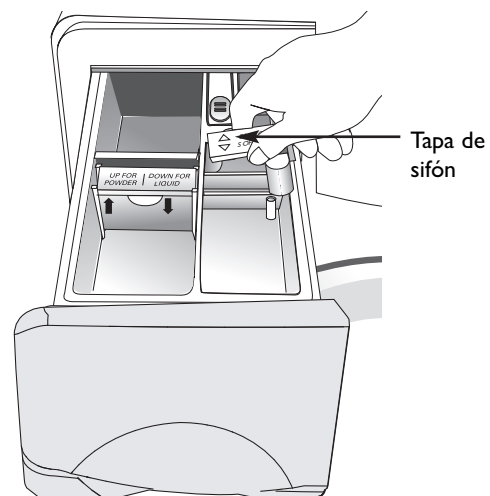
LIMPIEZA DE LOS DISTRIBUIDORES

Es posible que el distribuidor automático deba ser limpiado a menudo debido a la acumulación de aditivos de lavandería.

1. Oprima la palanca de liberación en la parte interior del distribuidor y tire hacia afuera.



2. Retire las tazas de los compartimientos de suavizante y de blanqueador.
3. Lave todas las piezas en agua corriente.
4. Limpie las rendijas con un cepillo suave.
5. Vuelva a colocar las tazas y oprímalas firmemente en su lugar.
6. Oprima el distribuidor en su lugar.
7. Programe un ciclo de enjuague y centrifugado sin ropa en la lavadora.



ALMACENAMIENTO DE LA LAVADORA DE ROPA

Las lavadoras pueden dañarse si no se extrae el agua de las mangueras y de los componentes internos antes de guardarlas. Prepare la lavadora para su almacenamiento de la manera siguiente:

- Seleccione el ciclo de **lavado rápido** y añada blanqueador con cloro en el distribuidor automático. Haga funcionar la lavadora en el ciclo de lavado sin ropa.
- Cierre las llaves de agua y desconecte las mangueras de entrada.

- Desconecte la lavadora del suministro eléctrico y deje la puerta de la lavadora *abierta* para permitir que el aire circule dentro del tambor.
- Si se almacena la lavadora a temperaturas por debajo del punto de congelación, permita que cualquier cantidad de agua que haya quedado en la lavadora se descongele antes de usarla nuevamente.

Para obtener información sobre el almacenamiento a largo plazo de su lavadora en temperaturas extremadamente frías, llame a Customer Service de manera gratuita al 1-800-843-0304 en EE.UU. o al 1-866-587-2002 en Canadá.

LOCALIZACIÓN Y SOLUCIÓN DE AVERÍAS

VERIFIQUE LA SIGUIENTE LISTA SI SE PRESENTA ALGUNA DE LAS SIGUIENTES SITUACIONES CON SU LAVADORA ...

La lavadora no enciende	<ul style="list-style-type: none">• Asegúrese de que la puerta esté firmemente cerrada.• Asegúrese de que la lavadora esté enchufada.• Asegúrese de que la llave de suministro de agua esté abierta.• Asegúrese de oprimir la perilla de selección del ciclo para encender la lavadora.• Asegúrese de que el bloqueo para niños no esté activado. Vea la página 40.• Antes de que la lavadora comience a llenarse, hará una serie de ruidos como chasquidos para verificar el cierre de la puerta y hacer un desagüe rápido.
No hay suministro de agua o el mismo es insuficiente	<ul style="list-style-type: none">• Abra completamente ambas llaves de agua.• Asegúrese de que la puerta esté firmemente cerrada.• Asegúrese de que la lavadora esté enchufada.• Verifique el fusible o restablezca el disyuntor.• Oprima la perilla de selección del ciclo para encender la lavadora.• Enderece las mangueras de entrada de agua.• Desconecte las mangueras y limpie las mallas. Las mallas filtrantes de las mangueras pueden estar tapadas.• Abra y cierre la puerta y oprima la perilla de selección del ciclo.
Quedan residuos de detergente en el distribuidor automático después de que el ciclo de lavado terminó	<ul style="list-style-type: none">• Asegúrese de que la lavadora esté funcionando con suficiente presión de agua. Vea las instrucciones de instalación.• Asegúrese de que el selector de detergente esté en posición vertical cuando use detergente granulado.
La lavadora vibra o es demasiado ruidosa	<ul style="list-style-type: none">• Asegúrese de que la lavadora esté instalada en una superficie nivelada. Si la superficie no está nivelada, ajuste los tornillos niveladores de la lavadora para nivelarla. Vea las Instrucciones de Instalación.• Asegúrese de que los pernos de empaque hayan sido retirados. Vea las Instrucciones de Instalación.• Asegúrese de que la lavadora no esté en contacto con ningún otro objeto.• Asegúrese de que la carga de ropa esté balanceada.

LOCALIZACIÓN Y SOLUCIÓN DE AVERÍAS

VERIFIQUE LA SIGUIENTE LISTA SI SE PRESENTA ALGUNA DE LAS SIGUIENTES SITUACIONES CON SU LAVADORA ...

<p>La lavadora se detiene</p>	<ul style="list-style-type: none"> • Enchufe el cordón eléctrico a un tomacorriente activo. • Verifique el fusible o restablezca el disyuntor. • Cierre la puerta y oprima la perilla de selección del ciclo para encender la lavadora. Para su seguridad, la lavadora no girará o centrifugará a menos que la puerta esté cerrada. • Puede haber un período de espera o de remojo en el ciclo. Espere unos momentos y puede que la lavadora se encienda nuevamente. • Antes de que la lavadora comience a llenarse, hará una serie de ruidos como chasquidos para verificar el cierre de la puerta y hacer un desagüe rápido. • Verifique las mallas en las mangueras de entrada al nivel de las llaves de agua para remover las obstrucciones. Limpie las mallas a menudo.
<p>La lavadora se llena con agua a temperaturas incorrectas</p>	<ul style="list-style-type: none"> • Abra completamente ambas llaves de agua. • Asegúrese de que la selección de temperatura sea la correcta. • Asegúrese de que las mangueras estén conectadas a las llaves de agua correctas. Limpie las tuberías de suministro de agua. • Verifique el calentador de agua. El mismo debe estar ajustado para proporcionar agua caliente en el fregadero a una temperatura mínima de 120°F (49°C). También verifique la capacidad y la tasa de recuperación del calentador de agua. • Desconecte las mangueras y limpie las mallas. Las mallas filtrantes de las mangueras pueden estar tapadas. • A medida que se llena la lavadora, la temperatura del agua puede cambiar debido a la verificación que realiza el control automático de temperatura del agua que entra en la lavadora. Esto es normal. • Mientras se llena la lavadora, podrá percatarse de qué tan caliente y/o fría es el agua que sale del distribuidor cuando se seleccionan las temperaturas de lavado correspondientes. Esta es una función normal del control automático de temperatura durante la medición de temperatura del agua que realiza la lavadora.
<p>El tambor de la lavadora no gira</p>	<ul style="list-style-type: none"> • Verifique el fusible o restablezca el disyuntor. • Cierre la puerta y oprima la perilla de selección del ciclo. Para su seguridad, la lavadora no girará o centrifugará a menos que la puerta esté cerrada.
<p>La puerta está bloqueada y no se abre</p>	<ul style="list-style-type: none"> • Oprima la perilla de selección del ciclo para apagar la lavadora. • La puerta de la arandela seguirá siendo bloqueada durante la porción de la calefacción del Ciclo Sanitario (modelos selectos). • El mecanismo de bloqueo de la puerta puede tomar algunos momentos para desengancharse.
<p>Para refrescar la lavadora</p>	<ul style="list-style-type: none"> • Vea la sección de Limpieza del interior de la lavadora en la página 45.
<p>La lavadora no drena y/o centrifuga</p>	<ul style="list-style-type: none"> • Verifique el fusible o restablezca el disyuntor. • Enderece las mangueras de drenaje. Elimine las mangueras torcidas. Si el drenaje está tapado, solicite servicio. • Cierre la puerta y oprima la perilla de selección del ciclo. Para su seguridad, la lavadora no girará o centrifugará a menos que la puerta esté cerrada.
<p>La carga está demasiado húmeda al finalizar un ciclo</p>	<ul style="list-style-type: none"> • Use la velocidad de centrifugado rápida o de extracción máxima. • Use detergentes de alta eficiencia para reducir la producción excesiva de espuma. • La carga de ropa es demasiado pequeña. Las cargas demasiado pequeñas (uno o dos artículos) pueden desbalancearse y no ser centrifugadas completamente.
<p>Hay un escape de agua</p>	<ul style="list-style-type: none"> • Asegúrese de que la puerta esté firmemente cerrada. • Asegúrese de que las conexiones de las mangueras estén firmes. • Asegúrese de que el extremo de la manguera de drenaje esté correctamente introducida y asegura da a la instalación del sistema de drenaje. • Evite sobrecargar la lavadora. • Use detergentes de alta eficiencia para evitar la producción excesiva de espuma.
<p>Espuma excesiva</p>	<ul style="list-style-type: none"> • Use detergentes de alta eficiencia para evitar la producción excesiva de espuma. • Reduzca la cantidad de detergente cuando use agua suavizada o cargas de ropa pequeñas o levemente sucias.

Para mayor ayuda, llame gratuitamente a 'Customer Assistance' (Servicio a los Clientes) al I-800-843-0304 EE.UU. o I-866-587-2002 Canada.

LOCALIZACIÓN Y SOLUCIÓN DE AVERÍAS

CÓDIGOS DE INFORMACIÓN

Puede que se desplieguen códigos de información para ayudarle a comprender mejor lo que está ocurriendo en la lavadora.

Símbolo de Código	Significado	Solución
dc	Una carga desbalanceada evita que la lavadora centrifugue.	Vuelva a distribuir la carga, oprima la tecla 'Cycle Selector' (Selección del ciclo).
dL	La puerta no está bloqueada cuando la lavadora está en funcionamiento.	Oprima la tecla 'Power Off' (Apagado) y reinicie el ciclo. Si el código vuelve a aparecer, solicite servicio como se indica abajo.
dS	La puerta está abierta cuando la lavadora está en funcionamiento.	Cierre la puerta firmemente y reinicie el ciclo. Si el código vuelve a aparecer, solicite servicio como se indica abajo.
FL	La lavadora no bloqueó la puerta.	Cierre la puerta firmemente y reinicie el ciclo. Si el código vuelve a aparecer, solicite servicio como se indica abajo.
H-	Problema en el control de la temperatura del agua. (Problema del control del calentador)	Solicite servicio como se indica abajo.
LE	La lavadora intentó realizar el llenado pero no alcanzó el nivel de agua adecuado.	Solicite servicio como se indica abajo.
LO	La puerta no se desbloquea.	Oprima la tecla 'Power Off' (apagado) para apagar la lavadora y luego enciéndala usando cualquier tecla. Si el código vuelve a aparecer, solicite servicio como se indica abajo.
E3	El motor no funciona adecuadamente.	Vuelva a iniciar el ciclo oprimiendo la perilla de selección del ciclo. Si el código vuelve a aparecer, solicite servicio como se indica abajo.
nd	La lavadora no drena.	Vea el apartado "La lavadora no drena y/o centrifuga" de la sección de Localización y solución de averías en la página 47. Si el problema continúa, solicite servicio como se indica abajo.
nF	La lavadora intentó realizar el llenado pero no pudo hacerlo.	Asegúrese de que las llaves de agua estén completamente abiertas. Verifique que no hayan torceduras en las mangueras. Verifique las mallas de entrada en las mangueras de llenado.
S-	Problemas con el control.	Solicite servicio como se indica abajo.
PF	Ocurrió una interrupción del servicio eléctrico cuando la lavadora estaba en funcionamiento.	Vuelva a iniciar el ciclo oprimiendo la perilla de selección del ciclo.

Para cualquier código que no aparezca en la tabla anterior, llame gratuitamente a 'Customer Assistance' (Servicio Amana a los Clientes) al 1-800-843-0304 EE.UU. o 1-866-587-2002 Canada.

SONIDOS NORMALES DE FUNCIONAMIENTO

<p>Sonido agudo durante un ciclo de centrifugado.</p>	<ul style="list-style-type: none"> • El motor aumenta la velocidad para agitar la tina y extraer la humedad de la ropa.
<p>Sonido de agua saliendo proveniente del área del distribuidor.</p>	<ul style="list-style-type: none"> • El detergente es distribuido al comienzo del ciclo. El blanqueador es distribuido durante los últimos minutos del lavado. El suavizador de telas es distribuido durante el tercer enjuague cuando la lavadora se está llenando de agua.
<p>Sonido como zumbido o chapoteo seguido de una pausa, repetido a través de todo el ciclo de lavado.</p>	<ul style="list-style-type: none"> • La tina gira en una dirección seguida de una pausa. La tina invierte la dirección y hace una pausa. Esta acción continúa a través de todo el ciclo.
<p>La lavadora de ropa mantiene una velocidad ligeramente reducida después de alcanzar una velocidad de agitación más alta.</p>	<ul style="list-style-type: none"> • Después de alcanzar la velocidad máxima de centrifugado, la lavadora puede reducir levemente la velocidad de centrifugado para un mejor rendimiento.
<p>La velocidad de agitación se reduce dramáticamente cuando suena como una carga desequilibrada.</p>	<ul style="list-style-type: none"> • La tina comenzará a acelerar la velocidad, luego la reduce para redistribuir la carga más uniformemente cuando se presenta una carga desequilibrada.
<p>Se agrega agua después de que la lavadora ha estado agitando por un rato.</p>	<ul style="list-style-type: none"> • La lavadora de ropa Amana usa una válvula adaptadora de llenado y agrega más agua durante el ciclo de lavado según sea necesario. • El agua fluye a través del distribuidor para diluir y agregar blanqueador o suavizador de telas en el momento apropiado. Esto sucederá aun si no se usa blanqueador ni suavizador de telas.
<p>Sonidos como chasquidos/desagüe cuando la lavadora se pone en marcha.</p>	<ul style="list-style-type: none"> • Antes de que la lavadora comience a llenarse, hará una serie de ruidos como chasquidos para verificar el cierre de la puerta y hacer un desagüe rápido.
<p>Una vez que el ciclo se ha iniciado, la lavadora emite una señal sonora.</p>	<ul style="list-style-type: none"> • Esta señal confirma que la puerta se ha cerrado correctamente.
<p>Durante el centrifugado el aire es desplazado a gran velocidad.</p>	<ul style="list-style-type: none"> • Para asegurar un funcionamiento óptimo se transfiere aire hacia adentro y hacia afuera del cubo para evitar que éste se mueva durante el ciclo de centrifugado.
<p>Sonido pa recido a un chasquido o un estallido que proviene de la parte posterior de la lavadora durante el centrifugado.</p>	<ul style="list-style-type: none"> • El agua se escurre a través de los orificios de drenaje que se encuentran en la centrifugadora y golpea el cubo externo antes de ser desagotada de la máquina.

NOTAS

GARANTÍA DE LA LAVADORA DE ROPA

Garantía

Garantía limitada de un año –

Piezas y mano de obra

Durante un (1) año a partir de la fecha original de compra al detal, se reparará o reemplazará gratuitamente cualquier pieza que falle durante el uso normal en el hogar.

Residentes Canadienses

Las garantías anteriores cubren solamente aquellos electrodomésticos instalados en Canadá que han sido certificados o aprobados por las agencias de prueba correspondientes para cumplimiento con la Norma Nacional de Canadá a menos que el electrodoméstico haya sido traído a Canadá desde los EE.UU. debido a un cambio de residencia.

*Las garantías específicas expresadas anteriormente son las **UNICAS** garantías provistas por el fabricante. Estas garantías le otorgan derechos legales específicos y usted puede tener además otros derechos que varían de un estado a otro.*

LA ÚNICA Y EXCLUSIVA SOLUCIÓN PARA EL CLIENTE BAJO ESTA GARANTÍA LIMITADA ES LA REPARACIÓN DEL PRODUCTO SEGÚN SE INDICA AQUÍ. LAS GARANTÍAS IMPLÍCITAS, INCLUYENDO LAS GARANTÍAS DE COMERCIALIZACIÓN O DE APTITUD PARA UN PROPÓSITO EN PARTICULAR ESTÁN LIMITADAS A UN AÑO O AL PERÍODO DE TIEMPO MÍNIMO PERMITIDO POR LA LEY. AMANA CORPORATION NO SERÁ RESPONSABLE DE DAÑOS INCIDENTALES O CONSECUENTES. ALGUNOS ESTADOS Y PROVINCIAS NO PERMITEN LA EXCLUSIÓN O LIMITACIÓN DE DAÑOS INCIDENTALES O CONSECUENTES O LA LIMITACIÓN DE LA DURACIÓN DE LAS GARANTÍAS IMPLÍCITAS DE COMERCIALIZACIÓN O APTITUD, POR LO QUE ESTAS EXCLUSIONES O LIMITACIONES PUEDEN NO APLICARSE EN SU CASO. ESTA GARANTÍA LE OTORGA DERECHOS LEGALES ESPECÍFICOS. USTED TAMBIÉN PUEDE TENER OTROS DERECHOS QUE VARÍAN DE UN ESTADO A OTRO O DE UNA PROVINCIA A OTRA.

Lo que no cubren estas garantías

1. Situaciones y daños resultantes de cualquiera de las siguientes situaciones:
 - a. Instalación, entrega o mantenimiento inapropiados.
 - b. Cualquier reparación, modificación, alteración o ajuste no autorizados por el fabricante o taller de servicio autorizado.
 - c. Mal uso, abuso, accidentes, uso no razonable o hechos fortuitos.
 - d. Corriente, voltaje, suministro eléctrico o suministro de gas incorrectos.
 - e. Ajuste inadecuado de cualquier.
 - f. Uso de elevadores (pedestales) de marcas que no son Maytag.
2. Las garantías quedan nulas si los números de serie originales han sido retirados, alterados o no se pueden determinar fácilmente.
3. Bombillas, filtros de agua y filtros de aire.
4. Los productos comprados para uso comercial o industrial.
5. El costo del servicio o llamada de servicio para:
 - a. Corregir errores de instalación. Para los productos que requieran ventilación, se deben usar conductos de metal rígido.
 - b. Instruir al usuario en el uso adecuado del producto.
 - c. Transporte del electrodoméstico al establecimiento de servicio y de regreso.
 - d. Para corregir problemas relacionados a elevadores de marcas que no son Maytag.
6. Cualquier pérdida de alimentos debido a fallas del refrigerador o congelador.
7. Costos de viaje y transporte de servicio en áreas remotas.
8. Esta garantía no se aplica fuera de los Estados Unidos y Canadá. Póngase en contacto con su distribuidor para determinar si se aplica cualquier otra garantía.
9. Los daños consecuentes o incidentales sufridos por cualquier persona como resultado del incumplimiento de esta garantía. En algunos estados no se permite la exclusión o limitación de daños consecuentes o incidentales, por lo tanto la limitación o exclusión anterior puede no aplicarse en su caso.

Si necesita servicio

Primero revise la sección de localización y solución de averías en su guía de uso y cuidado o llame al distribuidor donde adquirió el electrodoméstico. También puede llamar a Amana Service s, LLC, Atención al cliente, al 1-800-843-0304 en EE.UU. y al 1-866-587-2002 en Canadá para ubicar a un agente de servicio calificado.

- Asegúrese de conservar el comprobante de compra para verificar el estado de la garantía. Consulte la sección sobre la GARANTÍA para mayor información sobre las responsabilidades del propietario para obtener servicio bajo la garantía.
- Si el distribuidor o la compañía de servicio no pueden resolver el problema, escriba a Amana Customer Service, 553 Benson Road, Benton Harbor, MI 49022 TN 37320-2370 o llame al 1-800-843-0304 en E.U.U. y al 1-800-688-2002 en Canadá.
- Las guías del propietario, manuales de servicio e información sobre las piezas pueden solicitarse a Amana Services, LLC, Atención al cliente.

Notas: Cuando llame o escriba acerca de un problema de servicio, por favor incluya la siguiente información:

- a. Su nombre, dirección y número de teléfono;
- b. Número de modelo y número de serie;
- c. Nombre y dirección de su distribuidor o técnico de servicio;
- d. Una descripción clara del problema que está experimentando;
- e. Comprobante de compra (recibo de compra).