



Duet® Steam Electric Electric Dryer

PRODUCT MODEL NUMBERS

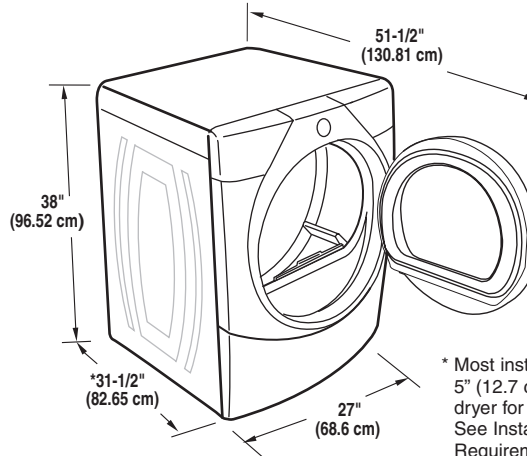
WED9500T

Electrical: This dryer requires a 3 or 4 wire, single phase, 120/240 volt, 60 Hz., AC only electrical supply (or 3 or 4 wire, 120/208 volt electrical supply, if specified on the serial/rating plate) on a separate 30-amp circuit, fused on both sides of the line. A time-delay fuse or circuit breaker is recommended. Connect to an individual branch circuit. Do not have a fuse in the neutral or grounding circuit.

Exhaust venting: Exhaust your dryer to the outside. Four inch (10.2 cm) diameter vent is required. Rigid or flexible metal exhaust vent must be used. Do not use plastic or metal foil vent. Exhaust hood must be at least 12" (30.5 cm) from the ground or any object that may be in the path of the exhaust.

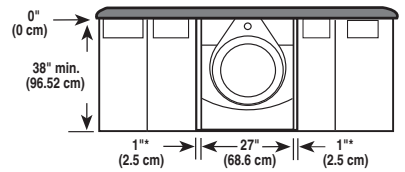
Water: The dryer must be connected to the cold water faucet using new inlet hoses. Do not use old hoses. Do not over tighten. Damage to the coupling can result.

OVERALL DIMENSIONS



Undercounter installation - Dryer only

Dimensions shown are for minimum spacing.



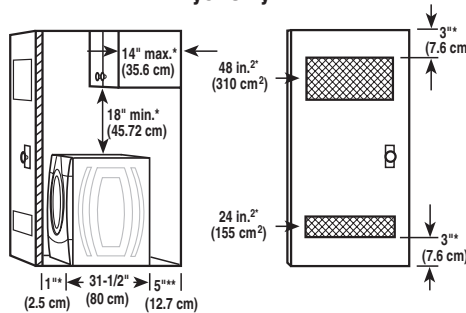
*Required spacing

* Most installations require a minimum 5" (12.7 cm) clearance behind the dryer for the exhaust vent with elbow. See Installation Instructions, "Venting Requirements."

RECESSED AREA AND CLOSET INSTALLATION

For closet installation, with a door, the minimum ventilation openings in the top and bottom of the door are required. Louvered doors with equivalent air ventilation openings are acceptable.

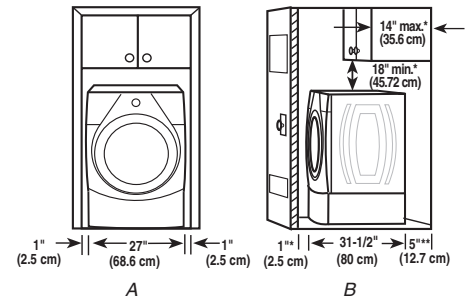
Dryer only



A. Side view - closet or confined area
B. Closet door with vents

*Required spacing
**For side or bottom venting, 2" (5.1 cm) spacing is allowed.

Dryer on pedestal

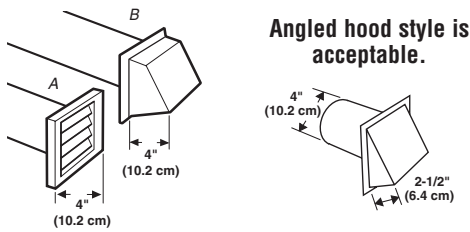


A. Recessed area
B. Side view - closet or confined area

*Required spacing
**For side or bottom venting, 2" (5.1 cm) spacing is allowed.

EXHAUST VENTING

Recommended hood styles



A. Louvered hood style
B. Box hood style

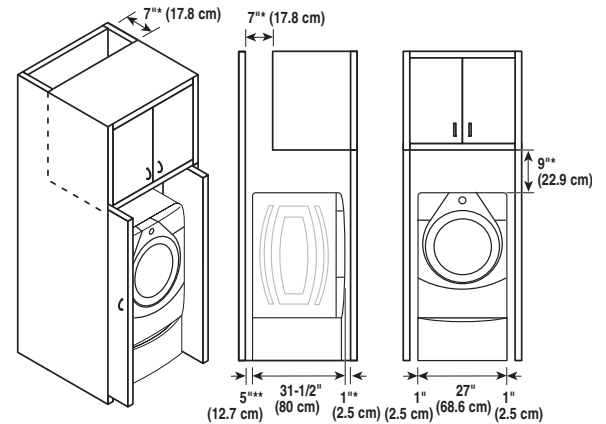
Angled hood style is acceptable.

Number of 90° turns or elbows	Type of vent	Box or Louvered hoods	Angled hoods
0	Rigid metal	64 ft (20 m)	58 ft (17.7 m)
	Flexible metal	36 ft (11 m)	28 ft (8.5 m)
1	Rigid metal	54 ft (16.5 m)	48 ft (14.6 m)
	Flexible metal	31 ft (9.4 m)	23 ft (7 m)
2	Rigid metal	44 ft (13.4 m)	38 ft (11.6 m)
	Flexible metal	27 ft (8.2 m)	19 ft (5.8 m)
3	Rigid metal	35 ft (10.7 m)	29 ft (8.8 m)
	Flexible metal	25 ft (7.6 m)	17 ft (5.2 m)
4	Rigid metal	27 ft (8.2 m)	21 ft (6.4 m)
	Flexible metal	23 ft (7 m)	15 ft (4.6 m)

NOTE: Side and bottom exhaust installations have a 90° turn inside the dryer. To determine maximum exhaust length, add 1 90° turn to the chart.

Recommended installation spacing for cabinet installation

For cabinet installation, with a door, the minimum ventilation openings in the top are required.



*Required spacing
**For side or bottom venting, 2" (5.1 cm) spacing is allowed.

Select the route that will provide the straightest and most direct path outdoors. Plan the installation to use the fewest number of elbows and turns. Use the fewest 90° turns possible. Do not use vent runs longer than specified in vent length chart. Determine the number of elbows you will need.