

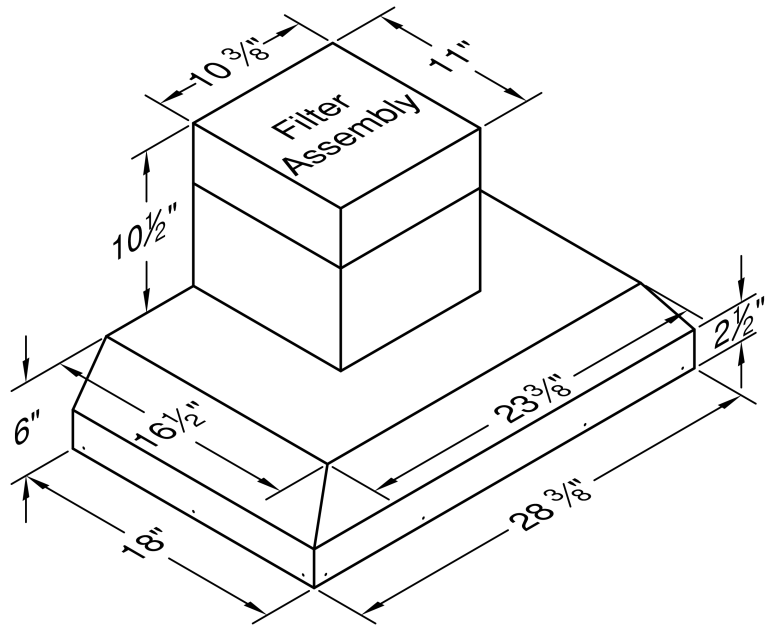
| PRINT | CLOSE |

*Vent-A-Hood*  
**MODEL NUMBER: KAH28SLD**

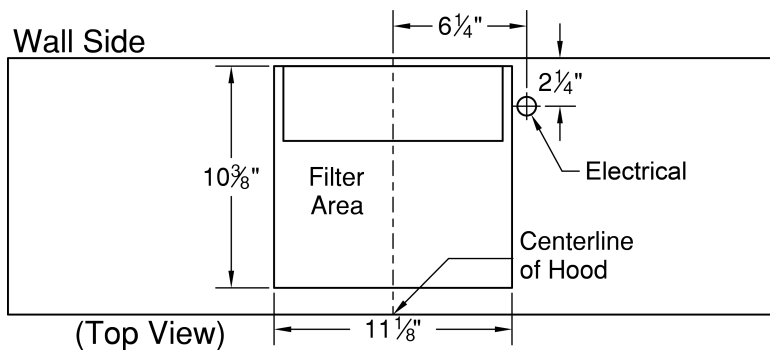
**ARS/DUCT FREE  
 WALL MOUNTED  
 LINER INSERT  
 SPECIFICATIONS**

Special Notes: LED GU10 lighting. This model is not available with heat lamps. This model is available in biscuit, black, gunsmoke, stainless steel, and white. Shown with ARSLP-12 kit (sold separately).

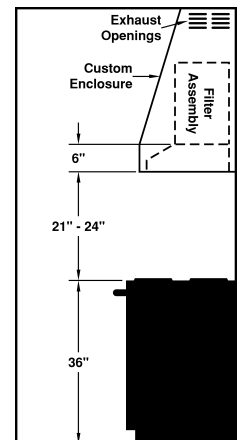
<b>WIDTH :</b>	28
	3/8"
<b>DEPTH :</b>	18"
<b>HEIGHT :</b>	6"
<b>CFM :</b>	n/a
<b>SONES :</b>	n/a
<b>Amps :</b>	3.5
<b>Num. Lights :</b>	2



**CONNECTION DIAGRAM**



**REC. MOUNTING  
 HEIGHT**



**A minimum of 25 sq. in. of exhaust opening space per blower/filter assembly, located above the filter assembly outlet (top), is required for proper air recirculation.**

**Access to the filter assembly via access panel in the cabinet is required for routine filter maintenance.**

\*Exceeding recommended mounting height may compromise performance.

## ELECTRICAL/MECHANICAL SPECIFICATIONS FOR BLOWER UNIT

Model	Volts	Amps+	Hz	RPM	CFM	Equiv.	CFM	CFM	CFM	Min.	Sones#
					SP@0.0"	CFM\$	SP@0.1"	SP@0.2"	SP@0.3"	Round Duct Size	
K250 (ARS)	115	3.5	60	1550	n/a	n/a	n/a	n/a	n/a	n/a	n/a

+ This model is equipped with two LED GU10 lights.