

200 Series Vario Electric
 Barbecue Grill
 with integrated control panel
 Width: 12" (29 cm)



VR 230-612

Accessories included in the price:
 Grilling tongs, cleaning brush,
 shot-blasted aluminum appliance
 cover.

Optional accessories:

VR 230-612
 – **Special appliances for the professional kitchen.** Individually put together with continuous aluminum control panel.
 – **With lava stones.** Just like outdoor grilling with even heat distribution.
 – **Two separately variable temperature zones.** Braise, cook or keep warm at the same time.

Shot-blasted stainless steel basin and lava stone container.
 One cast-iron grill grid.
 Two separately switchable grill heating elements, swivel-out type, each element 1,500 W.
 Stainless steel lava stone container and grease collecting tray (dish-washer-safe).

LV 030-000 Lava stones for refilling.

AM 060-000 Cast-iron roaster griddle pan.

VV 200-000 Connecting strip for combination with other appliances with integrated control panel.

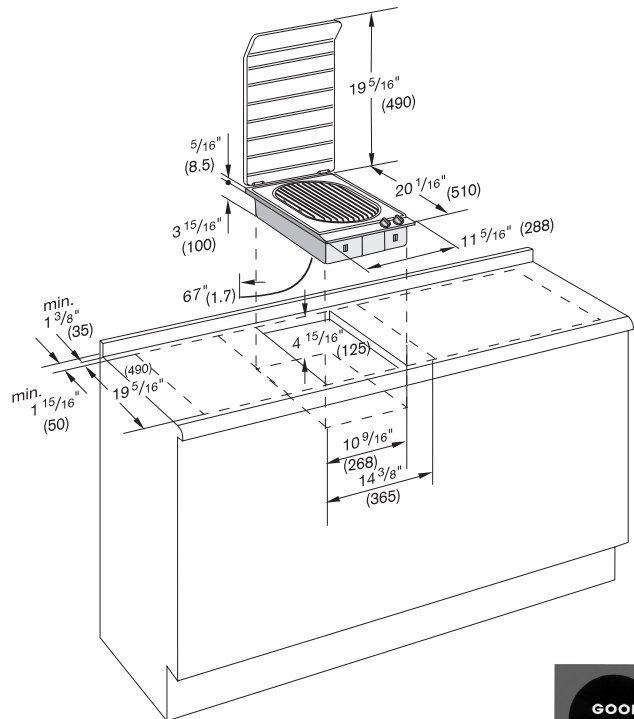
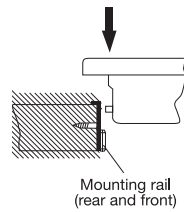
Planning notes:

The electric grill is equipped with a 67" connecting cable (hardware required).
 A minimum clearance of 11 13/16" must be observed from heat-sensitive furnishings or contact faces or thermal insulation must be installed.
 Appliance clicks into place when inserted in the work top from above.

We recommend the combination with downdraft ventilation.
When installed with overhead ventilation, the AM 060-000 griddle plate must be used.
 Minimum distance to a ventilator hood is 24".

Rating:

Total rating: 3.0 kW
Total Amps: 13
220-240V / 60Hz



Numbers indicated inside parenthesis () = mm