



Color Variants

VP230620
Black control panel
Width 12"

Included accessories

2 x spatula.

Optional accessories

VD200020
Black appliance cover

Installation Accessories

VV200010
Stainless steel connection strip
for combination with further Vario
cooktops
VV200020
Black connection strip for combination
with other Vario appliances of the 200
series

VP230620

Vario 200 series Teppan Yaki

Black control panel

Width 12"

Can be combined with cooktops of
the Vario 200 series to a harmonic
unity
Control panel for comfortable and
secure operation
Japanese traditional cooking, directly
on the stainless steel surface
Exact temperature control up to
240 °C, with warming and cleaning
settings
Keeping warm setting

Cooking zones

Useable area: 9 7/32" x 15 25/32" (234
x 401 mm).

Operation

Control knobs with illuminated ring.
Integrated control panel.
Electronic temperature control from
240 °F to 480 °F.

Features

Heating element with 1800 W.
Keeping warm setting.
Cleaning setting.
Stainless steel frame seamlessly
welded with the stainless steel surface.

Safety

Pre-heat and residual heat indicator.
Operation indicator.
Safety shut-off.

Planning notes

The distance from the upper edge of
the work surface to the upper edge of
the intermediate shelf must be at least
6" (150 mm).
Appliance can be snapped into the
countertop from above.
Above countertop minimum clearance
of at least 1 1/4" from adjacent heat-
sensitive furniture or contact surfaces
must be observed or thermal insulation
must be installed.
Intermediate shelf required; after
installation, this shelf must only be
removed using tools to guarantee the
touch protection from below.
Appliance weight: approx. 22 lbs (9 kg).

Rating

Total rating: 208/220 - 240 V : 10.8 kW.
60 Hz
Plan for a 59" connecting cable
without plug (hardwire required).

Product Features

Product name / series name

Vario/Domino Teppan Yaki

Construction type

Built-in

Energy source

Electric

Oven Control

Electronic

Grill grating material

Stainless steel

Required cutout size (HxWxD) (mm)

129 x 268 x 492

Width of the product (mm)

288

Overall appliance dimensions (HxWxD)

(mm)

129 x 288 x 512

Product packaging dimensions

(HxWxD) (mm)

250 x 400 x 600

Net weight (kg)

8.828

Gross weight (kg)

10.0

Residual heat indicator

Separate

Location of control panel

Basic surface material

Stainless steel

Color of surface

Stainless steel, Stainless steel

Color of frame

Stainless steel

Approval certificates

CSA

Power cord length (cm)

150

Consumption and connection features

Watts (W)

1800

Gas connection rating (W)

Current (A)

10

Volts (V)

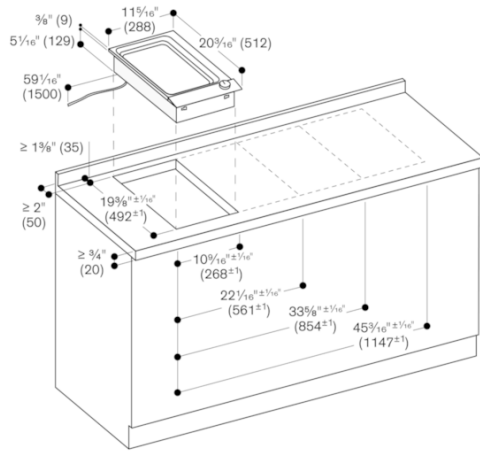
208-240

Frequency (Hz)

60

2019-10-23

Page 1



measurements in inches (mm)