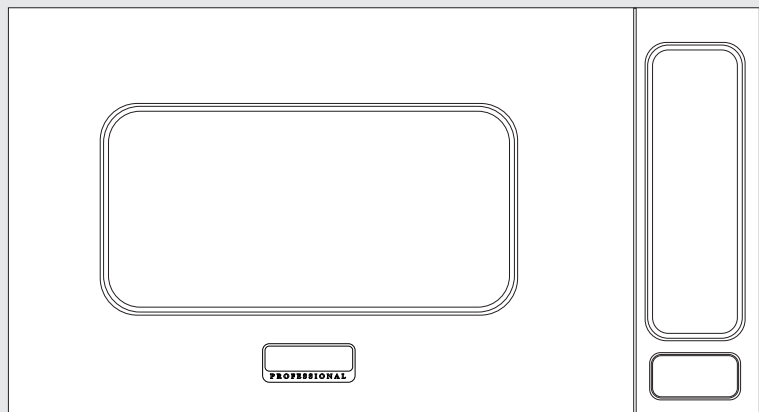


# Installation / Use & Care Manual



Built-in / Freestanding  
Microwave Ovens  
VMOS201 / CVMOS201

# Service Information

If service is required:

1. Call your authorized service agency.
2. Have the following information readily available:
  - a. Model number
  - b. Serial number
  - c. Date purchased
  - d. Name of dealer from whom purchased
3. Clearly describe the problem that you are having.

If you are unable to obtain the name of an authorized service agency, or if you continue to have service problem, contact Viking Range, LLC at (888) 845-4641 or write to:

VIKING RANGE, LLC  
PREFERRED SERVICE  
111 Front Street  
Greenwood, Mississippi (MS) 38930 USA

Record the information indicated below. You will need it if service is ever required. The model and serial number for your oven are located on the left side of the oven cavity on an identification label.

Model Number \_\_\_\_\_ Serial Number \_\_\_\_\_

Date of Purchase \_\_\_\_\_ Date Installed \_\_\_\_\_

Dealer's Name \_\_\_\_\_

Address \_\_\_\_\_

---

If service requires installation of parts, use only authorized parts to ensure protection under the warranty.

PLEASE RETAIN THIS MANUAL FOR FUTURE REFERENCE

# Table of Contents

<b>2 SERVICE INFORMATION</b>	<b>15-17 SENSOR OPTIONS</b>
<b>3 TABLE OF CONTENTS</b>	16-17 Sensor Options Chart
<b>3 PRECAUTIONS TO AVOID POSSIBLE EXPOSURE TO EXCESSIVE MICROWAVE ENERGY</b>	17 Frozen Foods Chart
<b>4 IMPORTANT SAFETY INSTRUCTIONS</b>	<b>18-26 COOKING</b>
<b>5 UNPACKING AND EXAMINING YOUR MICROWAVE OVEN</b>	18 Breakfast and Lunch
<b>6 CHOOSING A LOCATION</b>	19 Breakfast Chart
<b>7 GROUNDING INSTRUCTIONS</b>	19 Lunch Chart
<b>8-10 INFORMATION YOU NEED TO KNOW</b>	20 15 Minute Dinners and Preset Recipes
8 About Your Microwave Oven	20-21 15 Minute Dinners
8 About Children and the Microwave	22-23 Preset Recipes
8 About Utensils and Coverings	24 Defrost
9 About Microwave Cooking	24 Super Defrost Chart
9 About Safety	25 Auto Defrost
10 About Food	25 Auto Defrost Chart
<b>11-12 PART NAMES</b>	26 Beverages
11 Microwave Oven Parts	26 Beverages Chart
12 Control Panel	<b>27-29 OTHER CONVENIENT FEATURES</b>
<b>13 BEFORE OPERATING</b>	27 Warm/Hold
13 To Set the Clock	27 Multiple Sequence Cooking
13 Language/Weight Selection	27 More or Less Time Adjustment
13 Stop/Clear	27-28 Help (Control pad)
<b>14 MANUAL OPERATION</b>	28 Touch On
14 Time Cooking	28 Timer
14 To Set Power Level	28 Help (Display indicator)
14 Manual Defrost	29 Demonstration Mode
	29 Add-A-Minute
	<b>30 CLEANING AND CARE</b>
	<b>31 SPECIFICATIONS</b>
	<b>32 SERVICE CALL CHECK</b>
	<b>33 WARRANTY</b>

## PRECAUTIONS TO AVOID POSSIBLE EXPOSURE TO EXCESSIVE MICROWAVE ENERGY

- (a) Do not attempt to operate this microwave oven with the door open since open-door operation can result in harmful exposure to microwave energy. It is important not to defeat or tamper with the safety interlocks.
- (b) Do not place any object between the microwave oven front face and the door or allow soil or cleaner residue to accumulate on sealing surfaces.
- (c) Do not operate the microwave oven if it is damaged. It is particularly important that the microwave oven door close properly and that there is no damage to the: (1) door (bent), (2) hinges and latches (broken or loosened), (3) door seals and sealing surfaces.
- (d) The microwave oven should not be adjusted or repaired by anyone except properly qualified service personnel.

# IMPORTANT SAFETY INSTRUCTIONS

When using electrical appliances basic safety precautions should be followed, including the following:

**WARNING** - To reduce the risk of burns, electric shock, fire, injury to persons or exposure to excessive microwave energy:

1. Read all instructions before using the appliance.
2. Read and follow the specific "PRECAUTIONS TO AVOID POSSIBLE EXPOSURE TO EXCESSIVE MICROWAVE ENERGY" on page 3.
3. This appliance must be grounded. Connect only to properly grounded outlet. See "GROUNDING INSTRUCTIONS" on page 7.
4. Install or locate this appliance only in accordance with the provided installation instructions.
5. Some products such as whole eggs and sealed containers—for example, closed glass jars—are able to explode and should not be heated in this oven.
6. Use this appliance only for its intended use as described in this manual. Do not use corrosive chemicals or vapors in this appliance. This type of oven is specifically designed to heat, cook or dry food. It is not designed for industrial or laboratory use.
7. As with any appliance, close supervision is necessary when used by children.
8. Do not operate this appliance if it has a damaged cord or plug, if it is not working properly or if it has been damaged or dropped.
9. This appliance should be serviced only by qualified service personnel. Contact nearest Authorized Servicer for examination, repair or adjustment.
10. Do not cover or block any openings on the appliance.
11. Do not store or use this appliance outdoors. Do not use this product near water—for example, near a kitchen sink, in a wet basement, near a swimming pool, or similar locations.
12. Do not immerse cord or plug in water.
13. Keep cord away from heated surfaces.
14. Do not let cord hang over edge of table or counter.
15. See door surface cleaning instructions on page 30.
16. To reduce the risk of fire in the microwave oven cavity:
  - a. Do not overcook food. Carefully attend to appliance when paper, plastic or other combustible materials are placed inside the microwave oven to facilitate cooking.
  - b. Remove wire twist-ties from paper or plastic bags before placing bag in microwave oven.
  - c. **If materials inside the microwave oven should ignite, keep microwave oven door closed, turn microwave oven off and disconnect the power cord or shut off power at the fuse or circuit breaker panel.**
  - d. Do not use the cavity for storage purposes. Do not leave paper products, cooking utensils or food in the cavity when not in use.
17. Liquids, such as water, coffee or tea are able to be overheated beyond the boiling point without appearing to be boiling. Visible bubbling or boiling when the container is removed from the microwave oven is not always present. **THIS COULD RESULT IN VERY HOT LIQUIDS SUDDENLY BOILING OVER WHEN A SPOON OR OTHER UTENSIL IS INSERTED INTO THE LIQUID.**

To reduce the risk of injury to persons:

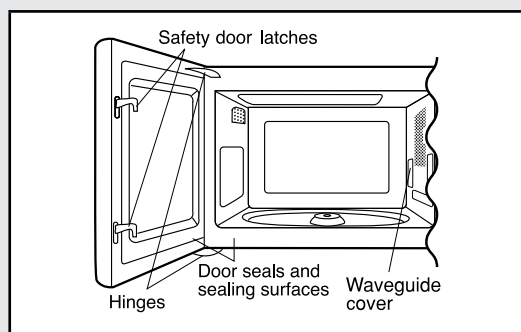
  - a. Do not overheat the liquid.
  - b. Stir the liquid both before and halfway through heating it.
  - c. Do not use straight-sided containers with narrow necks. Use a wide-mouthed container.
  - d. After heating, allow the container to stand in the microwave oven at least for 20 seconds before removing the container.
  - e. Use extreme care when inserting a spoon or other utensil into the container.
18. If the microwave oven is installed as a built-in, observe the following instructions:
  - a. Do not mount over a sink.
  - b. Do not store anything directly on top of the appliance surface when the appliance is in operation.
19. If the microwave oven light fails, consult an AUTHORIZED SERVICER.

## SAVE THESE INSTRUCTIONS

# Unpacking and Examining Your Microwave Oven

Remove all packing materials from inside the microwave oven cavity; however, **DO NOT REMOVE THE WAVEGUIDE COVER**, which is located on the right cavity wall. Read enclosures and **SAVE** the Installation/Use and Care Manual.

Check the microwave oven for any damage, such as misaligned or bent door, damaged door seals and sealing surfaces, broken or loose door hinges and latches and dents inside the cavity or on the door. If there is any damage, do not operate the microwave oven and contact your dealer or **AUTHORIZED SERVICER**.



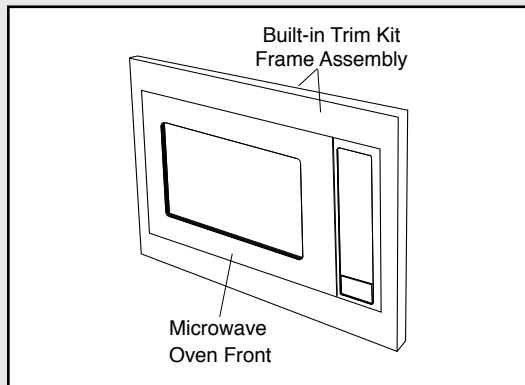
# Choosing a Location

## For Your Microwave Oven on the Counter

You will use the microwave oven frequently so plan its location for ease of use. It's wise, if possible, to have counter space on at least one side of the microwave oven. Allow at least 2 inches on the sides, top and at the rear of the microwave oven for air circulation.

## For Your Built-in Microwave Oven

Your microwave oven can be built into a cabinet or wall by itself or above any electric wall oven or warming drawer.



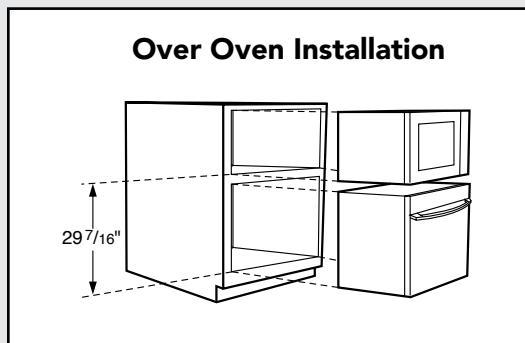
See built-in trim kit installation instructions for proper location when building in above the specified ovens. Carefully follow both the oven installation instructions and built-in trim kit instructions.

The opening in the wall or cabinet must be within the following dimensions:

A HEIGHT : 16 <sup>3</sup>/<sub>4</sub>" - 17"

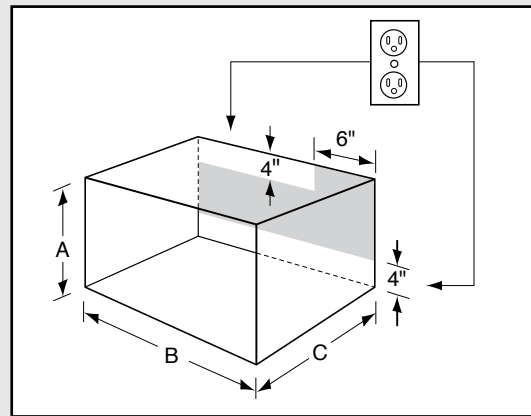
B WIDTH : 24 <sup>3</sup>/<sub>8</sub>" - 24 <sup>11</sup>/<sub>16</sub>"

C DEPTH : minimum 20"



Outlet should NOT be in the shaded area as indicated.

1. If the dimension of DEPTH (C) is more than 21", the outlet location may be any area on the rear wall.
2. The floor of the opening should be constructed of plywood strong enough to support the weight of the microwave oven and floor load (about 100 pounds). The floor should be level for proper operation of the microwave oven. Be sure to check the local building code as it may require that the opening be enclosed with sides, ceiling and rear partition. The proper functioning of the microwave oven does not require the enclosure.



The built-in trim kit includes all the necessary parts and easy-to-follow instructions for installation as well as location of the power supply.

The ease of assembly for these kits will allow installation into an existing wall opening in less than an hour (if power outlet is already properly located).

All it takes are four steps and a Phillips screw driver.

# Grounding Instructions

This appliance must be grounded. This microwave oven is equipped with a cord having a grounding wire with a grounding plug. It must be plugged into a wall receptacle that is properly installed and grounded in accordance with the National Electrical Code and local codes and ordinances. In the event of an electrical short circuit, grounding reduces risk of electric shock by providing an escape wire for the electric current.

**WARNING** – Improper use of the grounding plug can result in a risk of electric shock.

## ELECTRICAL REQUIREMENTS

The electrical requirements are a 120 volt 60 Hz, AC only, 15 amp. or more protected electrical supply. It is recommended that a separate circuit serving only this appliance be provided.

The microwave oven is equipped with a 3-prong grounding plug. It must be plugged into a wall receptacle that is properly installed and grounded. Should you only have a 2-prong outlet, have a qualified electrician install a correct wall receptacle.

A 3-prong adapter may be purchased and used temporarily if local codes allow. Follow package directions.

A short power-supply cord is provided to reduce risk of becoming entangled in or tripping over a longer cord.

## EXTENSION CORD

If it is necessary to use an extension cord, use only a 3-wire extension cord that has a 3-blade grounding plug and a 3-slot receptacle that will accept the plug on the microwave oven. The marked rating of the extension cord should be AC 115-120 volt, 15 amp. or more.

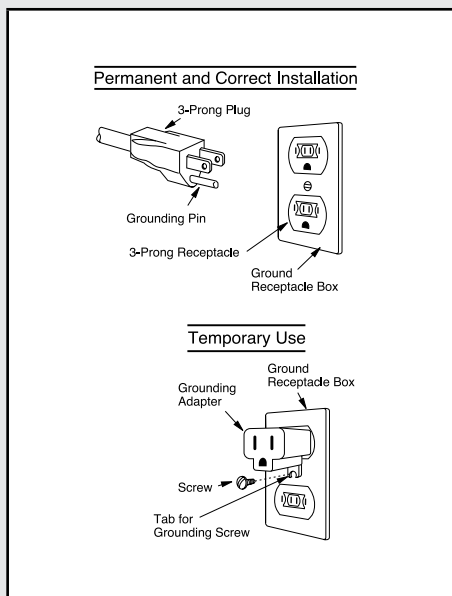
Be careful not to drape the cord over the countertop or table where it can be pulled on by children or tripped over accidentally.

### Note:

1. If you have any questions about the grounding or electrical instructions, consult a qualified electrician or service person.
2. Neither Viking Range, LLC nor the dealer can accept any liability for damage to the microwave oven or personal injury resulting from failure to observe the correct electrical connection procedures.

## RADIO OR TV INTERFERENCE

Should there be any interference caused by the microwave oven to your radio or TV, check that the microwave oven is on a different electrical circuit, relocate the radio or TV as far away from the microwave oven as feasible or check position and signal of receiving antenna.



# Information You Need To Know

## ABOUT YOUR MICROWAVE OVEN

This Installation/Use and Care Manual is valuable: read it carefully and always save it for reference.

A good microwave cookbook is a valuable asset. Check it for microwave cooking principles, techniques, hints and recipes.

NEVER use the microwave oven without the turntable and support nor turn the turntable over so that a large dish could be placed in the microwave oven. The turntable will turn both clockwise and counterclockwise.

ALWAYS have food in the microwave oven when it is on to absorb the microwave energy.

When using the microwave oven at power levels below 100%, you may hear the magnetron cycling on and off. It is normal for the exterior of the microwave oven to be warm to the touch when cooking or reheating.

Condensation is a normal part of microwave cooking. Room humidity and the moisture in food will influence the amount of moisture that condenses in the microwave oven. Generally, covered foods will not cause as much condensation as uncovered ones. Vents on the microwave oven back must not be blocked.

The microwave oven is for food preparation only. It should not be used to dry clothes or newspapers.

Your microwave oven is rated 1100 watts by using the IEC Test Procedure. In using recipes or package directions, check food a minute or two before the minimum time and add time accordingly.

## ABOUT CHILDREN AND THE MICROWAVE

Children below the age of 7 should use the microwave oven with a supervising person very near to them. Between the ages of 7 and 12, the supervising person should be in the same room.

The child must be able to reach the microwave oven comfortably; if not, he/she should stand on a sturdy stool.

At no time should anyone be allowed to lean or swing on the microwave oven door.

Children should be taught all safety precautions: use potholders, remove coverings carefully, pay special attention to packages that crisp food because they may be extra hot.

Don't assume that because a child has mastered one cooking skill he/she can cook everything.

Children need to learn that the microwave oven is not a toy. See page 27 for Child Lock feature.

## ABOUT UTENSILS AND COVERINGS

It is not necessary to buy all new cookware. Many pieces already in your kitchen can be used successfully in your new microwave oven. Make sure the utensil does not touch the interior walls during cooking.

### USE THESE UTENSILS FOR SAFE MICROWAVE COOKING AND REHEATING:

- glass ceramic (Pyroceram®), such as Corningware®.
- heat-resistant glass (Pyrex®)
- microwave-safe plastics
- paper plates
- microwave-safe pottery, stoneware and porcelain
- browning dish (Do not exceed recommended preheating time. Follow manufacturer's directions.)

### THESE ITEMS CAN BE USED FOR SHORT TIME REHEATING OF FOODS THAT HAVE LITTLE FAT OR SUGAR IN THEM:

- wood, straw, wicker

### DO NOT USE

- metal pans and bakeware
- dishes with metallic trim
- non-heat-resistant glass
- non-microwave-safe plastics (margarine tubs)
- recycled paper products
- brown paper bags
- food storage bags
- metal twist-ties

Should you wish to check if a dish is safe for microwaving, place the empty dish in the microwave oven and microwave on HIGH for 30 seconds. A dish which becomes very hot should not be used.

### THE FOLLOWING COVERINGS ARE IDEAL:

- Paper towels are good for covering foods for reheating and absorbing fat while cooking bacon.
- Wax paper can be used for cooking and reheating.
- Plastic wrap that is specially marked for microwave use can be used for cooking and reheating. DO NOT allow plastic wrap to touch food. Vent so steam can escape.
- Lids that are microwave-safe are a good choice because heat is kept near the food to hasten cooking.
- Microwave oven cooking bags are good for large meats or foods that need tenderizing. DO NOT use metal twist ties. Remember to slit bag so steam can escape.



# Information You Need To Know

## HOW TO USE ALUMINUM FOIL IN YOUR MICROWAVE OVEN:

- Small flat pieces of aluminum foil placed smoothly on the food can be used to shield areas that are either defrosting or cooking too quickly.
- Foil should not come closer than one inch to any surface of the microwave oven.

Should you have questions about utensils or coverings, check a good microwave cookbook or follow recipe suggestions.

**ACCESSORIES** There are many microwave accessories available for purchase. Evaluate carefully before you purchase so that they meet your needs. A microwave-safe thermometer will assist you in determining correct doneness and assure you that foods have been cooked to safe temperatures. Viking Range, LLC is not responsible for any damage to the microwave oven when accessories are used.

## ABOUT MICROWAVE COOKING

- Arrange food carefully. Place thickest areas towards outside of dish.
- Watch cooking time. Cook for the shortest amount of time indicated and add more as needed. Food severely overcooked can smoke or ignite.
- Cover foods while cooking. Check recipe or cookbook for suggestions: paper towels, wax paper, microwave plastic wrap or a lid. Covers prevent spattering and help foods to cook evenly.
- Shield with small flat pieces of aluminum foil any thin areas of meat or poultry to prevent overcooking before dense, thick areas are cooked thoroughly.
- Stir foods from outside to center of dish once or twice during cooking, if possible.
- Turn foods over once during microwaving to speed cooking of such foods as chicken and hamburgers. Large items like roasts must be turned over at least once.
- Rearrange foods such as meatballs halfway through cooking both from top to bottom and from the center of the dish to the outside.
- Add standing time. Remove food from microwave oven and stir, if possible. Cover for standing time which allows the food to finish cooking without overcooking.
- Check for doneness. Look for signs indicating that cooking temperatures have been reached.

Doneness signs include:

- Food steams throughout, not just at edge.
- Center bottom of dish is very hot to the touch.
- Poultry thigh joints move easily.
- Meat and poultry show no pinkness.
- Fish is opaque and flakes easily with a fork.

## ABOUT SAFETY

- Check foods to see that they are cooked to the United States Department of Agriculture's recommended temperatures.

To test for doneness, insert a meat thermometer in a thick or dense area away from fat or bone. NEVER leave the thermometer in the food during cooking, unless it is approved for microwave oven use.

TEMP	FOOD
160°F (71°C)	...for fresh pork, ground meat, boneless white poultry, fish, seafood, egg dishes and frozen prepared food.
165°F (74°C)	...for leftover, ready-to-reheat refrigerated, and deli and carry-out "fresh" food.
170°F (77°C)	... white meat of poultry.
180°F (82°C)	... dark meat of poultry.

- ALWAYS use potholders to prevent burns when handling utensils that are in contact with hot food. Enough heat from the food can transfer through utensils to cause skin burns.
- Avoid steam burns by directing steam away from the face and hands. Slowly lift the farthest edge of a dish's covering and carefully open popcorn and microwave oven cooking bags away from the face.
- Stay near the microwave oven while it's in use and check cooking progress frequently so that there is no chance of overcooking food.
- NEVER use the cavity for storing cookbooks or other items.
- Select, store and handle food carefully to preserve its high quality and minimize the spread of foodborne bacteria.
- Keep waveguide cover clean. Food residue can cause arcing and/or fires.
- Use care when removing items from the microwave oven so that the utensil, your clothes or accessories do not touch the safety door latches.
- Keep aluminum foil used for shielding at least 2.5 cm (1 inch) away from walls, ceiling and door of microwave oven.

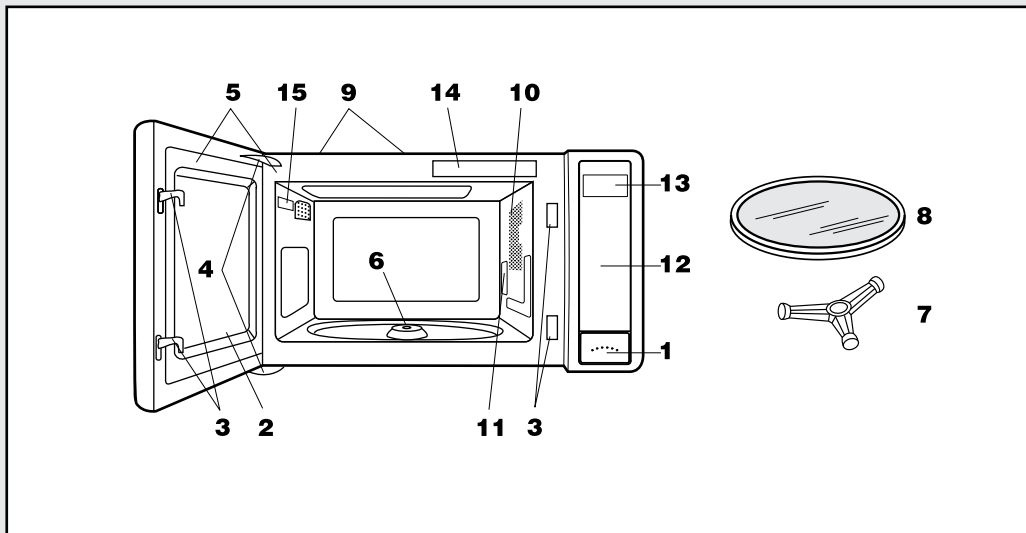
# Information You Need To Know

## ABOUT FOOD

FOOD	DO	DON'T
Eggs, sausages, nuts, seeds, fruits & vegetables	<ul style="list-style-type: none"> <li>• Puncture egg yolks before cooking to prevent "explosion".</li> <li>• Pierce skins of potatoes, apples, squash, hot dogs and sausages so that steam escapes.</li> </ul>	<ul style="list-style-type: none"> <li>• Cook eggs in shells.</li> <li>• Reheat whole eggs.</li> <li>• Dry nuts or seeds in shells.</li> </ul>
Popcorn	<ul style="list-style-type: none"> <li>• Use specially bagged popcorn for the microwave oven.</li> <li>• Listen while popping corn for the popping to slow to 1 or 2 seconds or use special Popcorn pad.</li> </ul>	<ul style="list-style-type: none"> <li>• Pop popcorn in regular brown bags or glass bowls.</li> <li>• Exceed maximum time on popcorn package.</li> </ul>
Baby food	<ul style="list-style-type: none"> <li>• Transfer baby food to small dish and heat carefully, stirring often. Check temperature before serving.</li> <li>• Put nipples on bottles after heating and shake thoroughly. "Wrist" test before feeding.</li> </ul>	<ul style="list-style-type: none"> <li>• Heat disposable bottles.</li> <li>• Heat bottles with nipples on.</li> <li>• Heat baby food in original jars.</li> </ul>
General	<ul style="list-style-type: none"> <li>• Cut baked goods with filling after heating to release steam and avoid burns.</li> <li>• Stir liquids briskly before, during and after heating to avoid "eruption".</li> <li>• Use deep bowl, when cooking liquids or cereals, to prevent boilovers.</li> </ul>	<ul style="list-style-type: none"> <li>• Heat or cook in closed glass jars or air tight containers.</li> <li>• Can in the microwave as harmful bacteria may not be destroyed.</li> <li>• Deep fat fry.</li> <li>• Dry wood, gourds, herbs or wet papers.</li> </ul>

# Part Names

## MICROWAVE OVEN PARTS

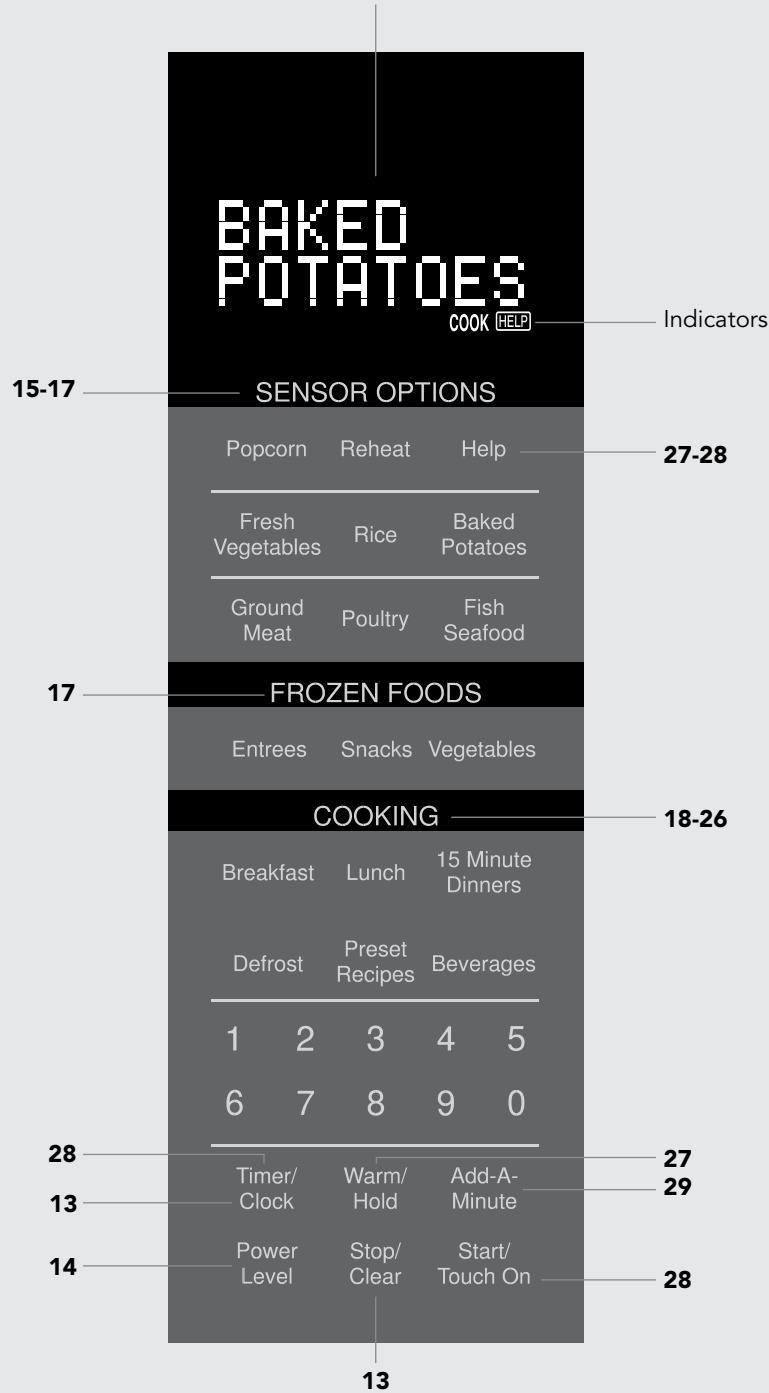


- 1 One touch door open button  
Push to open door.
- 2 Microwave oven door with see-through window
- 3 Safety door latches  
The microwave oven will not operate unless the door is securely closed.
- 4 Door hinges
- 5 Door seals and sealing surfaces
- 6 Turntable motor shaft
- 7 Removable turntable support  
Carefully place the turntable support in the center of the microwave oven floor.
- 8 Removable turntable  
Place the turntable on the turntable support securely.  
The turntable will rotate clockwise or counterclockwise.  
Only remove for cleaning.
- 9 Ventilation openings (Rear)
- 10 Microwave oven light  
It will light when microwave oven is operating or door is open.
- 11 Waveguide cover: DO NOT REMOVE.
- 12 Auto-Touch control panel
- 13 Interactive display: 99 minutes, 99 seconds
- 14 COOKING menu label
- 15 Rating label

# Part Names

## CONTROL PANEL

The two-line, Interactive Display spells out operating steps and shows cooking hints. When HELP is lighted in the display, touch the Help pad to read a specific hint which may assist you.





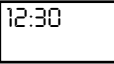
Number next to the control panel illustration indicates pages on which there are feature descriptions and usage information.

# Before Operating

- Before operating your new microwave oven make sure you read and understand this Installation/Use and Care Manual completely.
- Before the microwave oven can be used, follow these procedures:
  1. Plug in the microwave oven. Close the door. The microwave oven display will show **WELCOME PRESS CLEAR AND PRESS CLOCK**.
  2. Touch the Stop/Clear pad. **0** will appear.
  3. Set clock.

## TO SET THE CLOCK

- Suppose you want to enter the correct time of day 12:30 (A.M. or P.M.).

PROCEDURE	DISPLAY
1. Touch Timer/Clock pad and number 2 pad.	 
2. Enter the correct time of day by touching the numbers in sequence. Touch Timer/Clock pad again.	

This is a 12 hour clock. If you attempt to enter an incorrect clock time, **ERROR** will appear in the display. Touch the Stop/Clear pad and re-enter the time.

- If the electrical power supply to your microwave oven should be interrupted, the display will intermittently show **WELCOME PRESS CLEAR AND PRESS CLOCK** after the power is reinstated. If this occurs during cooking, the program will be erased. The time of day will also be erased. Simply touch Stop/Clear pad and reset the clock for the correct time of day.

## LANGUAGE/WEIGHT SELECTION

The microwave oven comes set for English and U.S. Customary Unit-pounds. To change, touch Help and the number 4 pad. Continue to touch the number 4 pad until your choice is selected. Then touch Start/Touch On. See page 28.

## STOP/CLEAR

Touch the Stop/Clear pad to:

1. Erase if you make a mistake during programming.
2. Cancel timer.
3. Stop the microwave oven temporarily during cooking.
4. Return the time of day to the display.
5. Cancel a program during cooking, touch twice.

# Manual Operation

## TIME COOKING

Your microwave oven can be programmed for 99 minutes and 99 seconds (99.99). Always enter the seconds after the minutes, even if they are both zeros.

- Suppose you want to cook for 5 minutes at 100%.

PROCEDURE	DISPLAY
1. Enter cooking time.	5:00
2. Touch Start/Touch On pad.	5:00 COOK

## TO SET POWER LEVEL

There are eleven preset power levels.

Using lower power levels increases the cooking time which is recommended for foods such as cheese, milk and long slow cooking of meats. Consult cookbook or recipes for specific recommendations.

TOUCH POWER LEVEL PAD NUMBER OF TIMES FOR DESIRED POWER	APPROXIMATE PERCENTAGE OF POWER	COMMON WORDS FOR POWER LEVELS
Power Level x 1	100%	High
Power Level x 2	90%	
Power Level x 3	80%	
Power Level x 4	70%	Medium High
Power Level x 5	60%	
Power Level x 6	50%	Medium
Power Level x 7	40%	
Power Level x 8	30%	Med Low/ Defrost
Power Level x 9	20%	
Power Level x 10	10%	Low
Power Level x 11	0%	

- Suppose you want to defrost for 5 minutes at 30%.

PROCEDURE	DISPLAY
1. Enter defrost time.	5:00
2. Touch Power Level pad eight times or hold down until the desired power appears.	30 PERCENT
3. Touch Start/Touch On pad.	5:00 COOK
4. When the defrost time is complete, a long tone will sound and END will appear in the display.	END

## MANUAL DEFROST

If the food that you wish to defrost is not listed on the Super Defrost and Auto Charts or is above or below the limits in the "Amount" column on the Super Defrost and Auto Defrost Charts (pages 24 and 25), you need to defrost manually.

You can defrost any frozen food, either raw or previously cooked, by using Power Level 3. Follow the exact 4-step procedure found under To Set Power Level. Estimate defrosting time and press Power Level eight times for 30% power.

For either raw or previously cooked frozen food the rule of thumb is approximately 4 minutes per pound. For example, defrost 4 minutes for 1 pound of frozen spaghetti sauce.

Always stop the microwave oven periodically to remove or separate the portions that are defrosted. If food is not defrosted at the end of the estimated defrosting time, program the microwave oven in 1 minute increments at 30% until totally defrosted.

When using plastic containers from the freezer, defrost only long enough to remove from the plastic in order to place in a microwave-safe dish.

# Sensor Options

The Sensor is a semi-conductor device that detects the vapor (moisture and humidity) emitted from the food as it heats. The sensor adjusts the cooking times and power level for various foods and quantities.

## USING SENSOR SETTINGS:

1. After microwave oven is plugged in, wait 2 minutes before using SENSOR OPTIONS.
2. Be sure the exterior of the cooking container and the interior of the microwave oven are dry. Wipe off any moisture with a dry cloth or paper towel.
3. The microwave oven works with foods at normal storage temperature. For example, popcorn would be at room temperature.
4. Any SENSOR OPTIONS selection can be programmed with More or Less Time Adjustment. See page 27.
5. More or less food than the quantity listed in the chart should be cooked following the guidelines in any microwave cookbook.
6. During the first part of SENSOR OPTIONS, the food name will appear on the display. Do not open the microwave oven door or touch Stop/Clear during this part of the cooking cycle. The measurement of vapor will be interrupted. If this occurs, an error message will appear. To continue cooking, touch the Stop/Clear pad and cook manually.

When the sensor detects the vapor emitted from the food, remainder of cooking time will appear. The door may be opened when remaining cooking time appears on the display. At this time, you may stir or season food, as desired.
7. If the sensor does not detect vapor properly when popping popcorn, the microwave oven will turn off, and the correct time of day will be displayed. If the sensor does not detect vapor properly when cooking other foods, ERROR will be displayed, and the microwave oven will turn off.
8. Check food for temperature after cooking. If additional time is needed, continue to cook manually.
9. Each food has a cooking hint. Touch Help pad when the HELP indicator is lighted in the display.

## COVERING FOODS:

Some foods work best when covered. Use the cover recommended in the SENSOR OPTIONS chart for these foods.

1. Casserole lid.
2. Plastic wrap: Use plastic wrap recommended for microwave cooking. Cover dish loosely; allow approximately ½ inch to remain uncovered to allow steam to escape. Plastic wrap should not touch food.
3. Wax paper: Cover dish completely; fold excess wrap under dish to secure. If dish is wider than paper, overlap two pieces at least one inch to cover.

Be careful when removing any covering to allow steam to escape away from you.

### Example:

You can cook many foods by simply selecting the food and touching Start/Touch On. You don't need to calculate cooking time or power level.

- Suppose you want to reheat canned chili.
  1. Touch Reheat pad.
  2. Touch Start/Touch On pad.

When the sensor detects the vapor emitted from the food, the remainder of cooking time will appear.

### Note:

The Fresh Vegetables and Poultry settings have 2 choices. Follow directions in the Interactive Display to choose desired option.





# Sensor Options

## SENSOR OPTIONS CHART

FOOD	AMOUNT	PROCEDURE
Ground Meat	.25 - 2.0 lb	Use this setting to cook ground beef or turkey as patties or in a casserole to be added to other ingredients. Place patties on a microwave-safe rack and cover with wax paper. Place ground meat in a casserole and cover with wax paper or plastic wrap. When microwave oven stops, turn patties over or stir meat in casserole to break up large pieces. Re-cover and touch Start/Touch On. After cooking, let stand, covered, for 2 to 3 minutes.
Poultry:		
Boneless	.5 - 2.0 lb	Use boneless breast of chicken or turkey. Cover with vented plastic wrap. Touch Poultry, number 1 and Start/Touch On pads. When microwave oven stops, rearrange. Re-cover and touch Start/Touch On pad. After cooking, let stand, covered, 3 to 5 minutes. Poultry should be 160°F.
Bone-in	.5 - 3.0 lb	Arrange pieces with meatiest portions toward outside of glass dish or microwave safe rack. Cover with vented plastic wrap. Touch Poultry, number 2 and Start/Touch On pads. After cooking, let stand, covered, 3 to 5 minutes. Dark meat should be 180°F and white meat should be 170°F.
Fish/Seafood	.25 - 2.0 lb	Arrange in ring around shallow glass dish (roll fillet with edges underneath). Cover with vented plastic wrap. After cooking, let stand, covered for 3 minutes.

## FROZEN FOODS CHART

FOOD	AMOUNT	PROCEDURE
Entrees	6 - 17 oz	Use this pad for frozen convenience foods. It will give satisfactory results for most brands. You may wish to try several and choose your favorite. Remove package from outer wrapping and follow package directions for covering. After cooking, let stand, covered, for 1 to 3 minutes.
Snacks	3 - 8 oz	Use for frozen French fries, cheese sticks, appetizers etc. Remove from outer package. Follow package directions for how to wrap or cover. Be careful when removing from the microwave oven as snack may be very hot.
Vegetables	.25 - 1.5 lb	Add no water. Cover with lid or plastic wrap. After cooking, stir and let stand, covered, for 3 minutes.

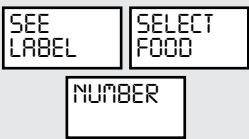
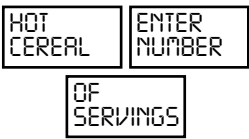

# Cooking

Your microwave oven has 6 convenience pads to assist with meal preparation. There are some foods in the Breakfast, Lunch, 15 Minute Dinners and Preset Recipes that use the sensor. See the sensor cooking information on page 15. For foods not using the sensor, follow the directions in the Interactive Display to enter quantity.

## BREAKFAST AND LUNCH

Breakfast and Lunch are for cooking and heating popular foods that take a short amount of time.

- Suppose you want to use Breakfast to cook 2 servings of hot cereal.

PROCEDURE	DISPLAY
1. Touch Breakfast pad.	
2. Select desired Breakfast setting by touching desired number pad. (Ex: Touch number 3 pad to select hot cereal.)	
3. Enter quantity. (Ex: Touch number 2 pad for servings.)  Touch Start/Touch On pad.	
After cooking, follow the directions in the display.	

### Note:

1. Heat rolls/muffins setting has 2 choices. Follow directions in the Interactive Display to choose desired option.
2. Breakfast can be programmed with More or Less Time Adjustment. Touch the Power Level pad once or twice before touching Start/Touch On pad. See page 27.
3. Each food has a cooking hint. Touch Help pad when the HELP indicator is lighted in the display.
4. Should you attempt to enter more or less than the allowed amount, an error message will appear in the display.  
  
More or less than the quantity listed in the chart should be cooked following the guidelines in any microwave book.
5. The final cooking result will vary according to the food condition (e.g. initial temperature, shape, quality, covering). Check food for temperature after cooking. If additional time is needed, continue to cook manually.

# Cooking

## BREAKFAST CHART

FOOD	AMOUNT	PROCEDURE
1. Scrambled Eggs	1 - 9 eggs	For each egg, use 1 teaspoon of butter or margarine and 1 tablespoon of milk. Place butter or margarine in dish, measuring cup or casserole large enough for the egg to expand. Mix egg and milk together. Pour onto butter or margarine in dish. Place in microwave oven and program. When audible signals are heard, stir egg mixture moving the cooked portion to the center of the dish and uncooked portion to the outside. After cooking, stir and let stand, covered, until set. Note that eggs will be slightly undercooked when removed from the microwave oven.
2. Bacon	2 - 6 slices	Place bacon on paper plate, lined with paper towel. Bacon should not extend over the rim of plate. Cover with another paper towel. Allow bacon to stand a few minutes after removing from the microwave oven to complete the cooking.
3. Hot Cereal	1 - 6 servings	Use individual packets or bulk cereal in your favorite variety: oatmeal, oat bran, cream of wheat, farina or wheatena.  Follow package directions for the correct amount of water or milk. To prevent boil overs, it is very important to choose a large container because microwave cooking of cereal causes high boiling. If the microwave oven stops, stir and touch Start/Touch On. After cooking, stir and let stand, covered, for 2 minutes.
4. Rolls & Muffins		Use this pad to warm rolls, muffins, biscuits, bagels etc. Large items should be considered as 2 or 3 regular size. Arrange on plate, cover with paper towel.
Fresh	1 - 10 pieces	To warm fresh rolls and muffins, touch Breakfast, number 4 pad, and touch number 1 pad. Then enter desired quantity and touch Start/Touch On pad. For refrigerated rolls or muffins, it may be necessary to double the entered amount to ensure the proper serving temperature. For example, enter quantity of 2 for 1 refrigerated muffin.
Frozen	1 - 10 pieces	For frozen rolls and muffins, touch Breakfast pad and touch number 4 pad, then number 2 pad. Then enter desired quantity and touch Start/Touch On pad.
5. Frozen Breakfast Foods*	1 (3 - 6 oz)	This setting works well for frozen breakfast entrees, pancakes, waffles, burritos etc. Follow manufacturer's directions for how to prepare for microwaving. Allow to stand 1 or 2 minutes after cooking.

\*It is not necessary to enter amount.

## LUNCH CHART

FOOD	AMOUNT	PROCEDURE
1. Meal in the Cup*	1 cup (6 - 8 oz)	This setting is ideal for individual portions of canned food packed in a small microwaveable container, usually 6 to 8 ounces. Remove inner metal lid and replace outer microwaveable lid. After cooking, stir food and allow to stand 1 or 2 minutes.
2. Hot Dogs in Buns*	1 - 4 pieces	Place hot dog in bun. Wrap each with paper towel or napkin.
3. Soup*	1 - 8 cups	Place in bowl or casserole. Cover with lid or plastic wrap. At end, stir, re-cover and let stand 1 to 3 minutes.
4. Microwave Pizza*	1 (6 - 8 oz)	Use for frozen microwave pizza. Remove from package and unwrap. Follow package directions for use of package and/or silver crisping disk.
5. Frozen Sandwich*	1 (3 - 6 oz)	Use for frozen microwaveable sandwiches. Remove from package and follow directions for placing in the microwave oven.

\*It is not necessary to enter amount.

# Cooking

## 15 MINUTE DINNERS AND PRESET RECIPES

15 Minute Dinners and Preset Recipes each offer five simple-to-prepare but great tasting meals. Follow the specific directions on the Recipe Card and in the Interactive Display.

- Suppose you want to use 15 Minute Dinners to cook Saucy Chicken.

PROCEDURE	DISPLAY				
1. Touch 15 Minute Dinners pad.	<table border="1"> <tr> <td>SEE LABEL</td> <td>SELECT RECIPE</td> </tr> <tr> <td></td> <td>NUMBER</td> </tr> </table>	SEE LABEL	SELECT RECIPE		NUMBER
SEE LABEL	SELECT RECIPE				
	NUMBER				
2. Select desired 15 Minute Dinners setting by touching desired number pad.	<table border="1"> <tr> <td>SEE RECIPE</td> <td>CARD</td> </tr> <tr> <td></td> <td>PRESS START</td> </tr> </table>	SEE RECIPE	CARD		PRESS START
SEE RECIPE	CARD				
	PRESS START				

(Ex: Touch number 1 pad to select Saucy Chicken.)

PROCEDURE	DISPLAY				
Follow the Recipe Card for ingredients and instructions. Touch Start/Touch On pad.					
3. When the microwave oven stops, the display will show the instruction number on the Recipe Card.	<table border="1"> <tr> <td>CHECK RECIPE</td> <td>INSTRUCTIONS 2</td> </tr> <tr> <td></td> <td>PRESS START</td> </tr> </table>	CHECK RECIPE	INSTRUCTIONS 2		PRESS START
CHECK RECIPE	INSTRUCTIONS 2				
	PRESS START				
Follow the instructions on the Recipe Card. Touch Start/Touch On pad.					
4. At end, the display will show the instruction number on the Recipe Card. Follow the instructions on the Recipe Card.	<table border="1"> <tr> <td>CHECK RECIPE</td> <td></td> </tr> <tr> <td></td> <td>INSTRUCTIONS 3</td> </tr> </table>	CHECK RECIPE			INSTRUCTIONS 3
CHECK RECIPE					
	INSTRUCTIONS 3				

## 15 MINUTE DINNERS (RECIPES SERVE 6)

### 1. SAUCY CHICKEN

- Place in a 3-quart casserole:
  - 1 tablespoon oil
  - ½ pound mushrooms, sliced
  - 1 onion, chopped
  - 1 tablespoon minced garlic
 Stir well and cover. Touch **15 Minute Dinners**, number 1 to select SAUCY CHICKEN and then touch **Start/Touch On**.
- Blend together:
  - 8 ounces reduced fat cream cheese, softened
  - ¼ cup milk
 Stir into the cream cheese mixture:
  - 1 10-ounce package of frozen peas
  - 2 cups cooked, thinly sliced chicken breast
 Salt and pepper to taste
 

At pause, drain liquid from mushrooms etc. Add cream cheese/peas/chicken mixture and stir together. Re-cover. Touch **Start/Touch On**.
- At end, stir in 1 cup shredded Monterey Jack cheese. *Serve on top of baked potatoes or cooked pasta.*

### 2. HAWAIIAN PORK

- Place in 3-quart casserole:
  - 1 tablespoon oil
  - 1 pound boneless pork loin, cut into 1-inch strips, seasoned with salt and pepper
 Stir well and cover. Touch **15 Minute Dinners**, number 2 to select HAWAIIAN PORK and then touch **Start/Touch On**.
- Combine well in a large bowl:
  - 1 cup peach or apricot preserves
  - ¼ cup barbecue sauce
  - 2 tablespoons soy sauce
  - 2 tablespoons cornstarch
  - 1 cup coarsely chopped onions
 At pause, add preserves/barbecue sauce mixture and stir together well. Re-cover. Touch **Start/Touch On**.
- At pause, add:
  - 1 8-ounce can sliced water chestnuts, drained
  - 1 green pepper, seeded and cut into 2-inch thin strips
  - 1 red pepper, seeded and cut into 2-inch thin strips
  - 1 20-ounce can pineapple chunks, drained
 Stir to combine. Re-cover. Touch **Start/Touch On**.
- At end, stir again. *Serve on cooked rice.*

# Cooking

## 15 MINUTE DINNERS (RECIPES SERVE 6)

### 3. FIESTA CHILI

---

- 1 Place in 3-quart casserole:
  - 1¼ pounds ground turkey
  - ½ cup diced onions
  - ½ cup diced red pepper

Break up turkey and stir in onions and red pepper. Cover. Touch **15 Minute Dinners**, number 3 to select FIESTA CHILI and then touch **Start/Touch On**.

- 2 At pause, drain and add to the casserole:
  - 8 ounces chunky salsa
  - 1 11-ounce can of Mexican corn, drained
  - 1 15-ounce can chili with beans
  - 1-3 teaspoons chili powder

Stir together well. Re-cover. Touch **Start/Touch On**.

- 3 At end, stir well.

Serve over cooked rice or nacho chips. Top with 2 cups shredded Monterey Jack or Cheddar cheese.

### 4. GLAZED SALMON

---

- 1 Combine:
  - ¼ cup orange juice concentrate
  - 2 tablespoons honey mustard
  - 1 tablespoon grated fresh ginger or 2 teaspoons ground ginger

Place in 7" x 11" glass casserole:

- 1½ pound salmon fillet

Drizzle ½ of the orange mixture over top of salmon. Cover with plastic wrap. Touch **15 Minute Dinners**, number 4 to select GLAZED SALMON and then touch **Start/Touch On**.

- 2 At pause, place around edge of salmon:
  - 3 cups broccoli florets
  - 1 red pepper cut into thin strips

Drizzle remaining orange mixture over vegetables. Top all with 2 tablespoons toasted sesame seeds. Re-cover. Touch **Start/Touch On**.

- 3 At end, allow to stand, covered, for 3 to 5 minutes.

Serve with buttered rice, pasta or potatoes garnished with parsley.

### 5. HEALTHY FRITTATA

---

- 1 Grease 9" pie plate. Place in it:
  - ½ pound mushrooms, sliced
  - ¾ cup chopped onion
  - 1 tablespoon minced garlic
  - ¼ pound chopped low-fat smoked sausage

Cover with plastic wrap. Touch **15 Minute Dinners**, number 5 to select HEALTHY FRITTATA and then touch **Start/Touch On**.

- 2 At pause, drain and set aside.

In a medium bowl, combine and stir together well:

- 3 large eggs
- ½ cup nonfat sour cream
- 1 tablespoon Dijon mustard
- ½ teaspoon salt
- 1/8 teaspoon pepper

Add and stir together:

- ½ 10-ounce package frozen chopped spinach, thawed and squeezed dry
- 1 cup shredded Swiss cheese

Pour mixture in bowl over top of mushroom/onion/sausage mixture. Mix together carefully.

Do not cover. Press **Start/Touch On**.

- 3 At end, remove from microwave oven and allow to stand for 3 to 5 minutes.

Serve with tossed salad and sliced tomatoes for brunch.

# Cooking

## PRESET RECIPES (RECIPES SERVE 6)

### 1. BEEF WRAPS

- 1 Place in a 2-quart casserole:  
1 pound ground beef  
Break apart and cover. Touch **Preset Recipes**, number 1 to select BEEF WRAPS and then touch **Start/Touch On**.
- 2 At pause, drain fat and break ground beef into small pieces. Add to casserole:  
1 10-ounce package frozen chopped spinach, thawed and drained  
1½ cups salsa  
1-3 teaspoons chili powder  
Stir together well. Re-cover. Touch **Start/Touch On**.
- 3 At end, stir well and place in 8 warmed corn tortillas. Top with 1 cup shredded Cheddar cheese.

### 2. MEXICAN CHICKEN

- 1 Place in layers in a 3-quart casserole:  
2 cups instant rice  
1 cup prepared fajita sauce mixed with ½ cup chicken broth or bouillon  
2 10-ounce packages frozen seasoning mix (onion, peppers, parsley and celery)  
1 pound boneless chicken breast, cut into 1-inch thin strips  
Cover. Touch **Preset Recipes**, number 2 to select MEXICAN CHICKEN and then touch **Start/Touch On**.
- 2 At pause, stir together being sure that chicken strips are separated and mixed into the rice/sauce. Re-cover. Press **Start/Touch On**.
- 3 At end, stir.  
*Serve with buttered green beans and toasted tortillas.*

### 3. ITALIAN SALAD

- 1 To cook pasta: Place in 3-quart casserole:  
6 cups very hot tap water  
Cover. Touch **Preset Recipes**, number 3 to select ITALIAN SALAD and then touch **Start/Touch On**.
- 2 At pause, add:  
8 ounces tricolored rotini or fusilli pasta  
1 teaspoon salad oil  
Do not cover. Touch **Start/Touch On**.
- 3 At end, drain pasta and set aside.  
To cook chicken: Place in 9" pie plate:  
1 pound boneless chicken breast, cut into 1-inch thin strips  
Cover. Press **Start/Touch On**.
- 4 At pause, rearrange moving less done pieces to the outside of the pie plate. Re-cover. Press **Start/Touch On**.
- 5 Drain and set aside.  
To make salad: Place in large salad bowl:  
Cooked rotini or fusilli  
Cooked chicken breast  
2 tomatoes, cut into eighths  
½ cup sliced black olives  
1 cup mozzarella cheese, shredded  
¼ cup red onion, chopped  
¾-1 cup oil-vinegar type dressing with pesto  
Toss together to coat all pieces. Serve immediately or chill to serve later.  
*Ideal when served with warm crusty rolls.*

# Cooking

## PRESET RECIPES (RECIPES SERVE 6)

### 4. TUNA MACARONI

---

- 1** To cook macaroni: Place in 3-quart casserole:  
6 cups very hot tap water  
Cover. Touch **Preset Recipes**, number 4 to select TUNA MACARONI and then touch **Start/Touch On**.
- 2** At pause, add:  
2 cups elbow macaroni  
1 teaspoon salad oil  
Do not cover. Touch **Start/Touch On**.
- 3** At end, drain macaroni and set aside in the casserole. Combine in bowl:  
1 can cream of celery soup  
½ cup milk  
½ cup nonfat sour cream  
Add to macaroni in casserole:  
Soup/milk/sour cream mixture  
1 6½-ounce can solid white water packed tuna fish, drained and laked  
1 cup frozen peas  
1 cup shredded Cheddar cheese  
Salt and pepper to taste  
Stir together until well mixed. Cover. Touch **Start/Touch On**.
- 4** At end, stir again.  
*Serve with fresh carrot sticks, tossed salad and dinner rolls.*

### 5. GARDEN MEDLEY

---

- 1** Place in 2½-quart casserole:  
1 pound peeled baking potatoes, cut into eighths and thinly sliced  
1 14½-ounce can diced tomatoes  
2 teaspoons minced garlic  
1 teaspoon thyme leaves  
Cover. Touch **Preset Recipes**, number 5 to select GARDEN MEDLEY and then touch **Start/Touch On**.
- 2** At pause, stir well and add:  
1 16-ounce package frozen stir fry mixed vegetables  
2 cups thinly sliced summer squash  
Re-cover. Touch **Start/Touch On**.
- 3** At end, sprinkle top with 4 ounces shredded Cheddar cheese.  
*Serve with spinach salad and chilled melon.*

# Cooking

## DEFROST

Defrost automatically defrosts all the foods found in the Super Defrost and Auto Defrost Charts.

### Super Defrost

Super Defrost rapidly defrosts specific foods and weights found in the Super Defrost Chart (number 1-3). For these choices, it is not necessary to enter weight.

- Suppose you want to defrost 1.0 pound boneless poultry.

PROCEDURE	DISPLAY
1. Touch Defrost pad.	<div style="display: flex; justify-content: space-around;"> <div style="border: 1px solid black; padding: 2px;">SEE LABEL</div> <div style="border: 1px solid black; padding: 2px;">SELECT FOOD</div> </div> <div style="text-align: center; margin-top: 5px;"> <div style="border: 1px solid black; padding: 2px;">NUMBER</div> </div>
2. Touch the number pad 2 to select boneless poultry. Touch Start/Touch On pad.	<div style="display: flex; justify-content: space-around;"> <div style="border: 1px solid black; padding: 2px;">1.0 POUND</div> <div style="border: 1px solid black; padding: 2px;">BONELESS CHICKEN</div> </div> <div style="text-align: center; margin-top: 5px;"> <div style="border: 1px solid black; padding: 2px;">PRESS START</div> </div>

PROCEDURE	DISPLAY
3. The microwave oven will stop so the food can be checked. The display will show:  Touch Start/Touch On pad.	<div style="display: flex; justify-content: space-around;"> <div style="border: 1px solid black; padding: 2px;">TURN OVER</div> <div style="border: 1px solid black; padding: 2px;">SEPARATE INTO</div> </div> <div style="text-align: center; margin-top: 5px;"> <div style="border: 1px solid black; padding: 2px;">PIECES</div> </div>
4. After defrost cycle ends, follow the directions.	<div style="display: flex; justify-content: space-around;"> <div style="border: 1px solid black; padding: 2px;">LET STAND</div> <div style="border: 1px solid black; padding: 2px;">3-5 MINUTES</div> </div>

#### Note:

1. To defrost other foods above or below the weights allowed on the Super Defrost and Auto Defrost Charts, use time and 30% power. See Manual Defrost on page 14.
2. Any setting in the Defrost can be programmed with More or Less Time Adjustment. Touch the Power Level pad once or twice before touching Start/Touch On pad.
3. Touch Help pad when the HELP indicator is lighted in the display for a helpful hint.
4. If you attempt to enter more or less than the amount as indicated in the chart, an error message will appear in the display.

## SUPER DEFROST CHART

FOOD	AMOUNT	PROCEDURE
1. Ground Meat*	1.0 lb	At pause, turn over, removed any thawed pieces and break remainder apart. At end, let stand, covered, for 3 to 5 minutes.
2. Boneless Chicken*	1.0 lb	At pause, turn over and separate into pieces. At end, let stand, covered, for 3 to 5 minutes.
3. Bone-in Chicken Pieces*	2.0 lb	At pause, turn over and separate into pieces. At end, let stand, covered, for 3 to 5 minutes.

\*It is not necessary to enter amount.

#### Note for Super Defrost:

Super Defrost provides just enough defrosting that the foods can be used in recipes or for cooking. There will be some ice crystals remaining.



# Cooking

## AUTO DEFROST

- Suppose you want to defrost a 2.0 pound steak, using Auto Defrost.

PROCEDURE	DISPLAY
1. Touch Defrost pad.	SEE LABEL SELECT FOOD NUMBER
2. Select desired Defrost setting by touching the desired number pad. (Ex: Touch the number pad 5 to select steak.)	STEAKS CHOPS OR FISH
Enter weight. (Ex: Touch number pads 2 and 0 for 2.0 lb.) Touch Start/Touch On pad.	ENTER WEIGHT IN POUNDS
	2.0 POUNDS PRESS START

PROCEDURE	DISPLAY
3. The microwave oven will stop so the food can be checked. The display will show:	TURN FOOD OVER COVER EDGES
4. After the 1st stage, open the door. Turn steak over and shield any warm portions. Close the door. Touch Start/Touch On.	
5. After the 2nd stage, open the door. Shield any warm portions. Close the door. Touch Start/Touch On.	CHECK FOOD COVER EDGES
6. After defrost cycle ends, follow the directions.	LET STAND COVERED

## AUTO DEFROST CHART

FOOD	AMOUNT	PROCEDURE
4. Ground Meat	.5 - 3.0 lb	Remove any thawed pieces after each stage. Let stand, covered, for 5 to 10 minutes.
5. Steaks, Chops or fish	.5 - 4.0 lb	After each stage, rearrange and if there are warm or thawed portions, shield with small flat pieces of aluminum foil. Remove any meat or fish that is almost defrosted. Let stand, covered, for 10 to 20 minutes.
6. Chicken Pieces	.5 - 3.0 lb	After each stage, rearrange pieces or remove portions should they become warm or thawed. Let stand, covered, for 10 to 20 minutes.
7. Roast	2.0 - 4.0 lb	Start defrosting with fat side down. After each stage, turn roast over and shield the warm portions with aluminum foil. Let stand, covered, for 30 to 60 minutes.
8. Casserole or Soup	1 - 8 cups	After audible signal, stir if possible. At end, stir well and let stand, covered, for 5 to 10 minutes.

### Note for Auto Defrost:

Check foods when microwave oven signals. After final stage, small sections may still be icy. Let stand to continue thawing. Do not defrost until all ice crystals are thawed.

Shielding prevents cooking from occurring before the center of the food is defrosted. Use small smooth strips of aluminum foil to cover edges and thinner sections of the food.

# Cooking

## BEVERAGES

Beverages enables you to reheat coffee or tea to a more suitable drinking temperature or to make instant coffee or tea.

- Suppose you want to reheat 2 cups of coffee.

PROCEDURE	DISPLAY						
1. Touch Beverages pad.	<table border="1"> <tr> <td>SEE LABEL</td> <td>SELECT FOOD</td> </tr> <tr> <td colspan="2">NUMBER</td> </tr> </table>	SEE LABEL	SELECT FOOD	NUMBER			
SEE LABEL	SELECT FOOD						
NUMBER							
2. Select desired Beverages setting by touching desired number pad. (Ex: Touch number 2 pad to reheat coffee.)  Enter quantity by touching same number pad 2 repeatedly. (Ex: Touch number 2 pad 4 times.)	<table border="1"> <tr> <td>REHEAT</td> <td>CONTINUE</td> </tr> <tr> <td>PRESSING 2</td> <td>FOR CUPS</td> </tr> <tr> <td>2 CUPS</td> <td>PRESS START</td> </tr> </table>	REHEAT	CONTINUE	PRESSING 2	FOR CUPS	2 CUPS	PRESS START
REHEAT	CONTINUE						
PRESSING 2	FOR CUPS						
2 CUPS	PRESS START						
3. Touch Start/Touch On pad.							

### Note:

1. Beverages can be programmed with More or Less Time Adjustment. Touch the Power Level pad once or twice after selecting the amount. See page 27.
2. Touch Help pad when the HELP indicator is lighted in the display, for a helpful hint.
3. More or less than the quantity listed in the chart should be made following the guidelines in any microwave book.

## BEVERAGES CHART

FOOD	AMOUNT	PROCEDURE
1. To Make Coffee or Tea	1 - 4 cups	Use this setting for heating COLD TAP WATER to a temperature somewhat below the boiling point to make instant coffee or tea. Touch number 1 pad for 1 cup increase per touch. Stir liquid briskly before and after heating to avoid "eruption".
2. To Reheat Beverage	.5 - 2.0 lb	This setting is good for restoring a cooled beverage to a better drinking temperature. Touch number 2 pad for a 0.5 cup increase per touch. Stir after heating.

# Other Convenient Features

## WARM/HOLD

Warm/Hold allows you to keep food warm up to 30 minutes.

To use, simply touch the Warm/Hold pad and enter the appropriate time (up to 30 minutes). You can also program Warm/Hold with manual cooking to keep food warm continuously after cooking.

### DIRECT USE

- Suppose you want to keep a cup of soup warm for 15 minutes.

1. Touch Warm/Hold pad.
2. Touch Start/Touch On pad.

The microwave oven will start automatically. The display will show 15:00 and count down. KEEP WARM will appear in the display every 10 seconds.

### WITH MANUAL COOKING

- Suppose you want to cook a cup of soup for 2 minutes at 70% and keep the soup warm for 15 minutes.

1. Enter cooking time.
2. Touch Power Level pad 4 times for 70% power.
3. Touch Warm/Hold pad. Enter desired time.
4. Touch Start/Touch On pad.

The operation will start. When the cooking time is complete, a long tone will sound and Warm/Hold will start. KEEP WARM will appear in the display every 10 seconds.

### Note:

Warm/Hold cannot be programmed with SENSOR OPTIONS or COOKING features.

## MULTIPLE SEQUENCE COOKING

Your microwave oven can be programmed for up to 4 automatic cooking sequences, switching from one power level setting to another automatically.

Sometimes cooking directions tell you to start on one power level and then change to a different power level. Your microwave oven can do this automatically.

- Suppose you want to cook roast beef for 5 minutes at 100% and then continue to cook for 30 minutes at 50%.
1. First enter cooking time. Then touch Power Level pad for 100% power.
  2. Then enter second cooking time. Touch Power Level pad 6 times for 50% power.
  3. Touch Start/Touch On pad.

### Note:

1. If 100% is selected as the final sequence, it is not necessary to touch the Power Level pad.
2. If you wish to know power level, simply touch the Power Level pad. As long as your finger is touching the Power Level pad, the power level will be displayed.
3. Warm/Hold can be programmed continuously even if 4 cooking sequences have been set.

## MORE OR LESS TIME ADJUSTMENT

Should you discover that you like any of the SENSOR OPTIONS or COOKING (except for 15 Minute Dinners and Preset Recipes) settings slightly more done, touch the Power Level pad once before touching the Start/Touch On pad.

The display will show MORE.

Should you discover that you like any of the SENSOR OPTIONS or COOKING (except for 15 Minute Dinners and Preset Recipes) settings slightly less done, touch the Power Level pad twice before touching the Start/Touch On pad.

The display will show LESS.

## HELP (CONTROL PAD)

Help provides 5 features which make using your microwave oven easy because specific instructions are provided in the interactive display.

### 1. CHILD LOCK

The Child Lock prevents unwanted microwave oven operation such as by small children. The microwave oven can be set so that the control panel is deactivated or locked. To set, touch Help, the number 1 and Start/Touch On pads. Should a pad be touched, CHILD LOCK will appear in the display.

To cancel, touch Help and Stop/Clear pads.

### 2. AUDIBLE SIGNAL ELIMINATION

If you wish to have the microwave oven operate with no audible signals, touch Help, the number 2 and Stop/Clear pads.

To cancel and restore the audible signal, touch Help, the number 2 and Start/Touch On pads.

### 3. AUTO START

If you wish to program your microwave oven to begin cooking automatically at a designated time of day, follow this procedure:

- Suppose you want to start cooking a stew for 20 minutes on 50% at 4:30. Before setting, check to make sure the clock is showing the correct time of day.
1. Touch Help pad.

# Other Convenient Features

- Touch number 3.
- To enter the start time at 4:30, touch numbers 4, 3 and 0.
- Touch Timer/Clock pad.
- To enter cooking program, touch numbers 2, 0, 0, and 0 for cooking time and then touch Power Level pad 6 times.
- Touch Start/Touch On pad.

**Note:**

- Auto Start can be used for manual cooking if clock is set.
- If the microwave oven door is opened after programming Auto Start, it is necessary to touch the Start/Touch On pad for Auto Start time to appear in the readout so that the microwave oven will automatically begin programmed cooking at the chosen Auto Start time.
- Be sure to choose foods that can be left in the microwave oven safely until the Auto Start time. Acorn or butternut squash are often a good choice.
- If you wish to know the time of day, simply touch the Clock pad. As long as your finger is touching the Clock pad, the time of day will be displayed.

### 4. LANGUAGE / WEIGHT SELECTION

The microwave oven comes set for English and U.S. Customary Unit-pounds. To change, touch Help and the number 4 pads. Continue to touch the number 4 pad until your choice is selected from the table below. Then, touch Start/Touch On pad.

Touch number 4 pad for language and standard of weight.

TOUCH NUMBER 4	LANGUAGE	STANDARD OF WEIGHT	DISPLAY
Once	English	LBS	ENGLISH LB
Twice	English	KG	ENGLISH KG
3 times	Spanish	LBS	ESPANOL LB
4 times	Spanish	KG	ESPANOL KG
5 times	French	LBS	FRANCAIS LB
6 times	French	KG	FRANCAIS KG

### 5. CLOCK ON/OFF

If you wish to turn the clock display off, touch Help, the number 5 and Stop/Clear pads.

To cancel and restore the clock, touch Help, the number 5 and Start/Touch On pads.

## TOUCH ON

Touch On allows you to cook at 100% power by touching the Start/Touch On pad continuously. Touch On is ideal for melting cheese, bringing milk to just below boiling etc. The maximum cooking time is 3 minutes.

- Suppose you want to melt cheese on a piece of toast.
  - Continuously touch Start/Touch On pad. The cooking time will begin counting up.
  - When the cheese is melted to desired degree, remove finger from Start/Touch On pad. Microwave oven stops immediately.

**Note:**

- Note time it takes for frequently used foods and program that time in the future.
- Touch Start/Touch On pad within 3 minutes after cooking, opening and closing the door or touching the Stop/Clear pad.
- Touch On can only be used 3 times in a row. If more times are needed, open and close door or touch Stop/Clear pad.

## TIMER

- Suppose you want to time a 3-minute long distance phone call.

PROCEDURE	DISPLAY
1. Touch Timer/Clock pad.	<div style="display: flex; justify-content: space-around;"> <div style="border: 1px solid black; padding: 2px;">TO SET</div> <div style="border: 1px solid black; padding: 2px;">KITCHEN TIMER</div> </div> <div style="display: flex; justify-content: space-around; margin-top: 5px;"> <div style="border: 1px solid black; padding: 2px;">PRESS 1</div> <div style="border: 1px solid black; padding: 2px;">TO SET CLOCK</div> </div> <div style="text-align: center; margin-top: 5px;"> <div style="border: 1px solid black; padding: 2px;">PRESS 2</div> </div>
2. Touch the number 1 pad.	<div style="border: 1px solid black; padding: 2px; text-align: center;">ENTER TIME</div>
3. Enter time. Touch Timer/Clock pad. The Timer will count down.	<div style="display: flex; justify-content: space-around;"> <div style="border: 1px solid black; padding: 2px;">3:00 TIMER</div> <div style="border: 1px solid black; padding: 2px;">PRESS TIMER</div> </div>
4. After the Timer cycle ends, the display will indicate the following message.	<div style="border: 1px solid black; padding: 2px; text-align: center;">TIMER IS FINISHED</div>

**Note:**

To cancel the Timer during programming, touch the Stop/Clear pad.

## HELP (DISPLAY INDICATOR)

Each setting of SENSOR OPTIONS provides a cooking hint. If you wish to check, touch HELP pad whenever HELP is lighted in the Interactive Display for these hints.

# Other Convenient Features

## DEMONSTRATION MODE

To demonstrate, touch Timer/Clock, the number 0 and then touch Start/Touch On pad and hold for 3 seconds. DEMO ON DURING DEMO NO OVEN POWER will appear in the display. Cooking operations and specific special features can now be demonstrated with no power in the microwave oven. For example, touch Add-A-Minute pad and the display will show 1:00 and count down quickly to END.

To cancel, touch Timer/Clock, then the number 0 and Stop/Clear pads. If easier, unplug the microwave oven from the electrical outlet and replug.

## ADD-A-MINUTE

Add-A-Minute allows you to cook for a minute at 100% by simply touching the Add-A-Minute pad. You can also extend cooking time in multiples of 1 minute by repeatedly touching the Add-A-Minute pad during manual cooking.

- Suppose you want to heat a cup of soup for one minute. Touch Add-A-Minute pad.

### **Note:**

1. To use Add-A-Minute, touch pad within 1 minute after cooking, closing the door, touching the Stop/Clear pad or during cooking.
2. Add-A-Minute cannot be used with SENSOR OPTIONS, COOKING or Warm/Hold.

# Cleaning and Care

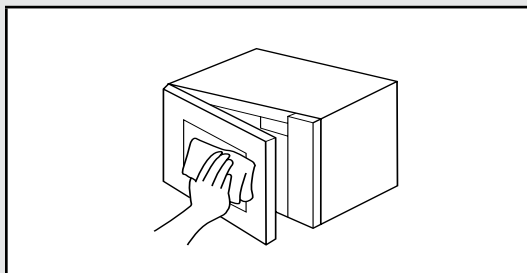
**Disconnect the power cord before cleaning or leave the door open to inactivate the microwave oven during cleaning.**

## EXTERIOR

The outside surface is painted. Clean the outside with mild soap and water; rinse and dry with a soft cloth. Do not use any type of household or abrasive cleaner.

## DOOR

Wipe the window on both sides with a damp cloth to remove any spills or splatters. Metal parts will be easier to maintain if wiped frequently with a damp cloth. Avoid the use of spray and other harsh cleaners as they may stain, streak or dull the door surface.

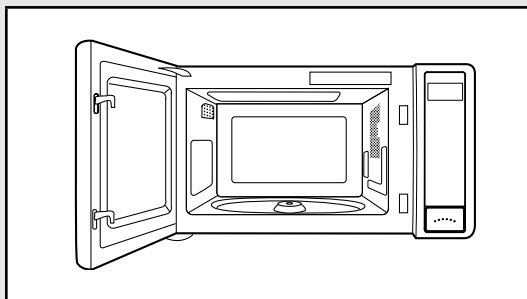


## TOUCH CONTROL PANEL

Care should be taken in cleaning the touch control panel. If the control panel becomes soiled, open the microwave oven door before cleaning. Wipe the panel with a cloth dampened slightly with water only. Dry with a soft cloth. Do not scrub or use any sort of chemical cleaners. Close door and touch Stop/Clear pad.

## INTERIOR

Cleaning is easy because little heat is generated to the interior surfaces; therefore, there is no baking and setting of spills or spattering. To clean the interior surfaces, wipe with a soft cloth and warm water. **DO NOT USE ABRASIVE OR HARSH CLEANERS OR SCOURING PADS.** For heavier soil, use baking soda or a mild soap; rinse thoroughly with hot water. **NEVER SPRAY OVEN CLEANERS DIRECTLY ONTO ANY PART OF THE MICROWAVE OVEN.**



## WAVEGUIDE COVER

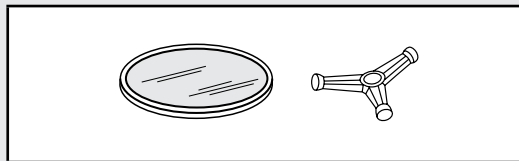
The waveguide cover is made from mica so requires special care. Keep the waveguide cover clean to assure good microwave oven performance. Carefully wipe with a damp cloth any food splatters from the surface of the cover immediately after they occur. Built-up splashes may overheat and cause smoke or possibly catch fire. Do not remove the waveguide cover.

## ODOR REMOVAL

Occasionally, a cooking odor may remain in the microwave oven. To remove, combine 1 cup water, grated peel and juice of 1 lemon and several whole cloves in a 2-cup glass measuring cup. Boil for several minutes using 100% power. Allow to set in microwave oven until cool. Wipe interior with a soft cloth.

## TURNTABLE/TURNTABLE SUPPORT

The turntable and turntable support can be removed for easy cleaning. Wash them in mild, sudsy water; for stubborn stains use a mild cleanser and non abrasive scouring sponge. They are also dishwasher-safe. Use upper rack of dishwasher. The turntable motor shaft is not sealed, so excess water or spills should be wiped up immediately.



# Specifications

AC Line Voltage:	Single phase 120V, 60Hz, AC only
AC Power Required:	1500 watts, 13.0 amps.
Output Power:*	1100 watts
Frequency:	2450 MHz
Outside Dimensions:	24" (W) x 13 <sup>3</sup> / <sub>8</sub> " (H) x 19 <sup>1</sup> / <sub>4</sub> " (D)
Cavity Dimensions:	17 <sup>3</sup> / <sub>8</sub> " (W) x 10 <sup>1</sup> / <sub>2</sub> " (H) x 18 <sup>5</sup> / <sub>8</sub> " (D)
Microwave Oven Capacity:**	2.0 Cu. Ft.
Cooking Uniformity:	Turntable system
Weight:	Approx. 46 lb (20.9 kg)

\* The International Electrotechnical Commission's standardized method for measuring output wattage. This test method is widely recognized.

\*\* Internal capacity is calculated by measuring maximum width, depth and height. Actual capacity for holding food is less.

In compliance with standards set by:

FCC – Federal Communications Commission Authorized.

DHHS – Complies with Department of Health and Human Services (DHHS) rule, CFR, Title 21, Chapter I, Subchapter J.

 – This symbol on the nameplate means the product is listed by Underwriters Laboratories, Inc. for use in USA or Canada.

NHW – Department of National Health and Welfare of Canada.

This oven is listed by the Canadian Standard Association as certified.

# Service Call Check

Please check the following before calling for service:

Place one cup of water in a glass measuring cup in the microwave oven and close the door securely.

Operate the microwave oven for one minute at HIGH 100%.

A Does the microwave oven light come on?

YES \_\_\_\_\_ NO \_\_\_\_\_

B Does the cooling fan work?  
(Put your hand over the rear ventilating openings.)

YES \_\_\_\_\_ NO \_\_\_\_\_

C Does the turntable rotate?  
(It is normal for the turntable to turn in either direction.)

YES \_\_\_\_\_ NO \_\_\_\_\_

D Is the water in the microwave oven warm?

YES \_\_\_\_\_ NO \_\_\_\_\_

If "NO" is the answer to any of the above questions, please check electrical outlet, fuse and/or circuit breaker. If they are functioning properly, CONTACT YOUR NEAREST AUTHORIZED SERVICER.

A microwave oven should never be serviced by a "do-it-yourself" repair person.

**Note:**

If time appearing in the display is counting down very rapidly, check Demonstration Mode on page 29 and cancel.



# Microwave Oven Warranty

## TWO YEAR FULL WARRANTY

Microwave Oven and all of their component parts and accessories, except as detailed below\*, are warranted to be free from defective materials or workmanship in normal household use for a period of two (2) years from the date of original retail purchase from the date of original retail purchase. Viking Range, LLC, warrantor, agrees to repair or replace, at its option, any part which fails or is found to be defective during the warranty period.

\* Glass (including light bulbs), painted and decorative items are warranted to be free from defective materials or workmanship for a period of ninety (90) days from the date of original retail purchase. ANY DEFECTS MUST BE REPORTED TO THE SELLING DEALER WITHIN NINETY (90) DAYS FROM DATE OF ORIGINAL RETAIL PURCHASE.

## FIVE YEAR LIMITED WARRANTY

If the magnetron tube fails due to defective materials or workmanship in normal household use during the second through fifth year from the date of original retail purchase it will be repaired or replaced, free of charge for the part itself, with the owner paying all other costs, including labor.

This warranty extends to the original purchaser of the product warranted hereunder and to each transferee owner of the product during the term of the warranty.

This warranty shall apply to products purchased and located here in the United States and Canada. Products must be purchased in the country where service is requested. Warranty labor shall be performed by an authorized Viking Range, LLC service agency or representative. Warranty shall not apply to damage resulting from abuse, accident, natural disaster, loss of electrical power to the product for any reason, alteration, outdoor use, improper installation, improper operation or repair or service of the product by anyone other than an authorized Viking Range, LLC service agency or representative. This warranty does not apply to commercial usage. Warrantor is not responsible for consequential or incidental damage whether arising out of breach of warranty, breach of contract, or otherwise. Some jurisdictions do not allow the exclusion or limitation of incidental or consequential damages, so the above limitation or exclusion may not apply to you.

Owner shall be responsible for proper installation, providing normal care and maintenance, providing proof of purchase upon request, and making the appliance reasonably accessible for service. If the product or one of its component parts contains a defect or malfunction during the warranty period, after a reasonable number of attempts by the warrantor to remedy the defects or malfunctions, the owner is entitled to either a refund or replacement of the product or its component part or parts. Warrantor's liability on any claim of any kind, with respect to the goods or services covered hereunder, shall in no case exceed the price of the goods or service or part thereof which gives rise to the claim.

**WARRANTY SERVICE:** Under the terms of this warranty, service must be performed by a factory authorized Viking Range, LLC service agent or representative. Service will be provided during normal business hours, and labor performed at overtime or premium rates shall not be covered by this warranty. To obtain warranty service, contact the dealer from whom the product was purchased, an authorized Viking Range, LLC service agent, or Viking Range, LLC. Provide model and serial number and date of original purchase. For the name of your nearest authorized Viking Range, LLC service agency, call the dealer from whom the product was purchased or Viking Range, LLC.

**IMPORTANT:** Retain proof of original purchase to establish warranty period.

The return of the Owner Registration Card is not a condition of warranty coverage. You should, however, return the Owner Registration Card so that Viking Range, LLC can contact you should any question or safety arise which could affect you.

Any implied warranties of merchantability and fitness applicable to the above described elements or parts are limited in duration to the period of coverage of the applicable express written limited warranties set forth above. Some jurisdictions do not allow limitations on how long an implied warranty lasts, so the above limitation may not apply to you. This warranty gives you specific legal rights, and you may also have other rights which may vary from jurisdiction to jurisdiction.

Viking Range, LLC  
111 Front Street  
Greenwood, Mississippi (MS) 38930 USA (888) 845-4641

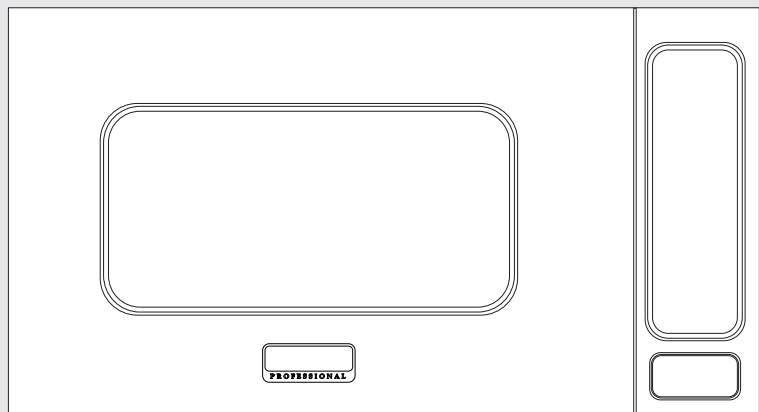
---

Specifications subject to change without notice  
For more product information, call 1-888-845-4641  
or visit our web site at [vikingrange.com](http://vikingrange.com) in the US or [brigade.ca](http://brigade.ca) in Canada

Viking Range, LLC  
111 Front Street  
Greenwood, Mississippi 38930 USA  
(662) 455-1200

For product information  
call 1-888-845-4641  
or visit our web site at [vikingrange.com](http://vikingrange.com) in the US  
or [brigade.ca](http://brigade.ca) in Canada

# Installation / Manuel d'utilisation et d'entretien



Intégré / autoportant  
fours à micro-ondes  
CVMOS201

# Informations de dépannage

Si du dépannage est requis :

1. Appeler votre une société de dépannage agréée.
2. Préparer les informations suivantes à l'avance :
  - a. Numéro de modèle
  - b. Numéro de série
  - c. Date d'achat
  - d. Nom du revendeur où a eu lieu l'achat
3. Décrire clairement le problème rencontré.

En cas d'impossibilité d'obtention du nom d'une société de dépannage, ou si les ennuis continuent, contacter directement Viking Range, LLC au (662) 451-4133 ou écrire à :

VIKING RANGE, LLC  
PREFERRED SERVICE  
111 Front Street  
Greenwood, Mississippi (MS) 38930 USA

Enregistrer les informations indiquées ci-dessous. Elles seront nécessaires si vous avez besoin d'un dépannage. Les numéros de modèle et de série de votre micro-ondes sont situés sur le côté gauche de sa cavité sur une étiquette signalétique.

Numéro de modèle \_\_\_\_\_ Numéro de série \_\_\_\_\_

Date d'achat \_\_\_\_\_ Date d'installation \_\_\_\_\_

Nom du revendeur \_\_\_\_\_

Adresse \_\_\_\_\_

Si le dépannage demande l'installation de pièces, n'utiliser que des pièces autorisées pour conserver la protection de la garantie.

VEUILLEZ CONSERVER CE MANUEL COMME RÉFÉRENCE ULTÉRIEURE

# Table des matières

<b>2 INFORMATIONS DE DÉPANNAGE</b>	<b>18-26 COOKING (CUISSON)</b>
<b>3 TABLE DES MATIÈRES</b>	18 Petit déjeuner et déjeuner
<b>3 PRÉCAUTIONS POUR ÉVITER LE RISQUE D'UNE EXPOSITION AUX MICRO-ONDES</b>	18 Tableau de petit déjeuner
<b>4 IMPORTANTES CONSIGNES DE SÉCURITÉ</b>	19 Tableau Lunch
<b>5 DÉBALLAGE ET INSPECTION DU FOUR</b>	20 Plats rapides en 15 minutes et recettes programmées
<b>6 LE CHOIX D'UN EMPLACEMENT</b>	20-21 Plats rapides en 15 minutes (La recette donne 6 portions)
<b>7 INSTRUCTIONS DE MISE À LA TERRE</b>	22-23 Preset Recipes (La recette donne 6 portions)
<b>8-10 LES INFORMATIONS QUE VOUS DEVEZ SAVOIR</b>	24 Defrost (Décongélation)
8 Le four à micro-ondes	24 Tableau Super Defrost
8 À propos des enfants et du four à micro-ondes	25 Auto Defrost
8 À propos des ustensiles et des moyens de couvrir les aliments	25 Tableau Auto Defrost
9 À propos de la cuisson aux micro-ondes	26 Boissons (Beverages)
9 À propos de la sécurité	26 Tableau Beverages
10 About Food	<b>27-29 AUTRES PARTICULARITÉS PRATIQUES</b>
<b>11-12 NOMENCLATURE</b>	27 Maintien au chaud (Warm/Hold)
11 Pièces du four à micro-ondes	27 Séquence de cuisson multiple
12 Tableau de commande	27 Réglage des temps de cuisson
<b>13 AVANT L'USAGE</b>	27-28 Help (Aide [Control Pad])
13 Réglage de l'horloge	28 Touch On
13 Choix de la langue et des unités de poids	28 Timer (Minuterie)
13 Arrêt/Annulation	29 Help (Aide - indication à l'affichage)
<b>14 FONCTIONNEMENT MANUEL</b>	29 Mode de démonstration
14 Cuisson par micro-ondes	29 Add-A-Minute (Ajout d'une minute de cuisson)
14 Réglage du niveau de puissance	<b>30 NETTOYAGE ET ENTRETIEN</b>
14 Décongélation manuelle	<b>31 FICHE TECHNIQUE</b>
<b>15-17 SENSOR OPTIONS (CUISSON COMMANDÉE PAR CAPTEUR)</b>	<b>32 APPEL DE SERVICE</b>
16-17 Tableau d'options de capteurs	<b>33 GARANTIE DU FOUR MICRO-ONDES</b>
17 Tableau d'aliments congelés	

## PRÉCAUTIONS POUR ÉVITER LE RISQUE D'UNE EXPOSITION AUX MICRO-ONDES

- Ne pas essayer de faire fonctionner ce four lorsque que la porte est ouverte, car le fonctionnement avec la porte ouverte pourrait entraîner une exposition dangereuse aux micro-ondes. Il est important que le système de fermeture de sûreté ne soit pas désamorcé ou modifié.
- Ne placer aucun objet entre le cadre et la porte du four et ne pas laisser de saleté ou de traces de produits de nettoyage s'accumuler sur les surfaces d'étanchéité.
- Ne pas utiliser le four s'il est endommagé. Il est particulièrement important que la porte ferme correctement et que les éléments suivants ne présentent pas de défauts : (1) porte (gauchie), (2) charnières et verrous (brisés ou desserrés), (3) joints et surfaces d'étanchéité de la porte.
- Le four ne doit être réglé ou réparé que par du personnel d'entretien qualifié.

# IMPORTANTES CONSIGNES DE SÉCURITÉ

Certaines précautions de sécurité devraient toujours être prises lorsqu'on se sert d'appareils électriques :

**AVERTISSEMENT** — Pour réduire les risques de brûlures, de chocs électriques, de feu, de blessures ou d'exposition aux micro-ondes :

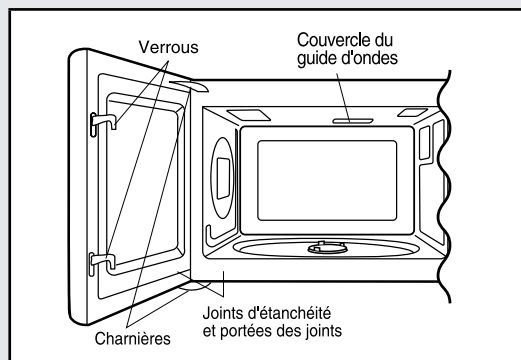
1. Lire toutes les instructions avant de se servir de l'appareil.
2. Lire et suivre les PRÉCAUTIONS POUR ÉVITER LE RISQUE D'UNE EXPOSITION AUX MICRO-ONDES à la page 3.
3. Cet appareil doit être mis à la terre. Brancher seulement à une prise à trois broches. Se reporter aux «INSTRUCTIONS DE MISE À LA TERRE», page 7.
4. Installer ou placer l'appareil conformément aux instructions d'installation fournies.
5. Certains produits comme des oeufs entiers et des contenants scellés — par exemple des bocaux en verre fermés — peuvent s'exploser et ne devraient pas être utilisés dans ce four.
6. N'utiliser cet appareil qu'aux fins décrites dans ce manuel. Ne pas utiliser de produits corrosifs dans le four à micro-ondes. Ce four a été conçu pour la cuisson et le réchauffage des aliments, non pour un usage industriel ou des travaux en laboratoire.
7. Comme pour tout appareil, exercer une surveillance étroite quand des enfants l'utilisent.
8. Ne pas faire fonctionner l'appareil si le cordon ou la fiche sont endommagés, si l'appareil ne fonctionne pas bien ou s'il a été endommagé ou est tombé.
9. Cet appareil ne doit être réparé que par du personnel de service autorisé. Communiquer avec le service de réparations autorisé le plus proche pour un examen, une réparation ou un réglage.
10. Ne couvrir ou bloquer aucune ouverture de l'appareil.
11. Ne pas laisser ni utiliser cet appareil à l'extérieur. Ne pas utiliser ce produit auprès de l'eau – comme par exemple près d'un évier de cuisine, dans un sous-sol humide, près d'une piscine ou dans d'autres endroits semblables.
12. Ne pas immerger le cordon ou la fiche dans l'eau.
13. Garder le cordon loin des surfaces chauffées.
14. Ne pas laisser pendre le cordon de la table ou du comptoir.
15. Voir les instructions pour le nettoyage de la surface de la porte à la page 30.
16. Pour réduire les risques de feu à l'intérieur du four :
  - a. Ne pas trop faire cuire les aliments. Rester prudemment près du four lorsqu'on utilise du papier, du plastique ou tout autre matériel combustible pour faciliter la cuisson.
  - b. Retirer les attaches de métal des sacs de papier ou de plastique avant de mettre les sacs au four.
  - c. **Si les matériaux à l'intérieur du four prennent feu, garder la porte du four fermée, arrêter le four et débrancher la fiche ou couper l'électricité au panneau d'entrée.**
  - d. Ne pas utiliser la cavité comme espace de rangement. Ne laisser ni papier, ni ustensiles, ni aliments dans la cavité lorsque l'appareil n'est pas utilisé.
17. Des liquides tels que l'eau, le café ou le thé peuvent chauffer au-delà du point d'ébullition sans qu'aucun bouillonnement n'apparaisse. Ainsi, quand le contenant est retiré du four, il peut ne pas y avoir d'ébullition ou de bouillonnement apparents. IL PEUT EN RÉSULTER UN DÉBORDEMENT DES LIQUIDES TRÈS CHAUDS LORSQU'UNE CUILLER OU UN AUTRE USTENSILE EST INSÉRÉ DANS LE LIQUIDE.  
Pour réduire le risque de blessures personnelles:
  - a. Ne pas trop chauffer le liquide.
  - b. Remuer le liquide et avant de le chauffer et à mi-cuisson.
  - c. Ne pas utiliser de contenants à bords droits et à goulot mince. Utiliser un bocal à large goulot.
  - d. Après le chauffage, laisser reposer le contenant dans le four à micro-ondes pour au moins 20 secondes avant de le retirer.
  - e. Lors d'insérer une cuiller ou un autre ustensile dans le contenant, le faire très soigneusement.
18. Si le four est installé encastré, suivre ces instructions :
  - a. Ne pas monter ce four au-dessus d'un évier.
  - b. Ne rien poser au dessus du four quand il est en fonctionnement.
19. Si la lumière du four ne s'allume pas, communiquer avec un BUREAU DE SERVICE AUTORISÉ.

## CONSERVER CE MODE D'EMPLOI

# Déballage et inspection du four

Retirer tous les matériaux d'emballage qui se trouvent à l'intérieur de la cavité du four; cependant, NE PAS ENLEVER LE COUVERCLE DU GUIDE D'ONDES qui se trouve sur la paroi droite de la cavité du four. Lire les pièces jointes et CONSERVER le manuel d'utilisation.

Vérifier que le four n'a subi aucun dommage, en particulier que la porte n'est ni tordue ni décentrée, que les joints et les surfaces d'étanchéité ne sont pas endommagés, que les charnières et les verrous ne sont pas brisés ou desserrés et que la porte ou l'intérieur de la cavité ne porte aucune trace de coups. Si on constate quelque dommage que ce soit, ne pas faire fonctionner le four et communiquer un BUREAU DE SERVICE AUTORISÉ.



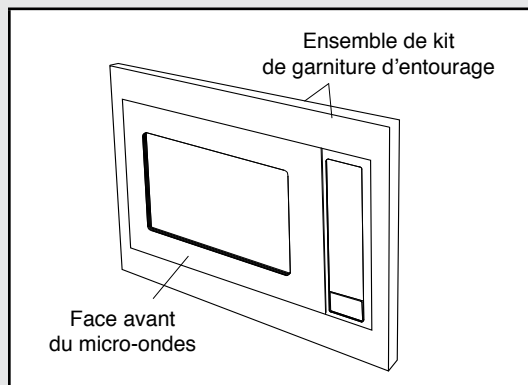
# Le choix d'un emplacement

## Choix d'un emplacement pour le four

Un four étant un appareil d'usage fréquent, il est conseillé de choisir un emplacement commode. Dans la mesure du possible, prévoir un plan de travail à côté du four. Il faut prévoir un espace d'au moins 5 cm de chaque côté, au-dessus et à l'arrière du four pour la circulation d'air. Ne pas placer le four à proximité d'un endroit où il y a un dégagement de chaleur ou d'humidité; par exemple, à côté ou au-dessus d'une cuisinière électrique ou au gaz ou au-dessus d'un four encastré. La chaleur et l'humidité peuvent endommager les pièces électroniques ou mécaniques du four.

## Choix de l'emplacement de votre four micro-ondes encastré

Votre four peut être installé dans une armoire, contre un mur ou au dessus d'un four électrique mural ou d'un tiroir chauffe-plat.



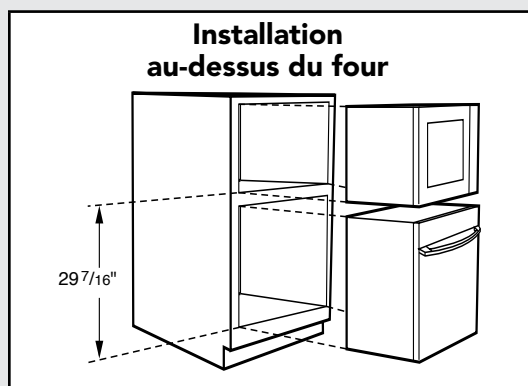
Se reporter aux instructions d'installation d'encastrement du kit pour le bon emplacement au-dessus du four indépendant encastré. Suivre scrupuleusement les instructions d'installation à la fois du four et du kit.

L'ouverture dans la cloison ou le meuble doit être dans ces dimensions :

A HAUTEUR : 42,6 à 43,2 cm (16 3/4 - 17 po.)

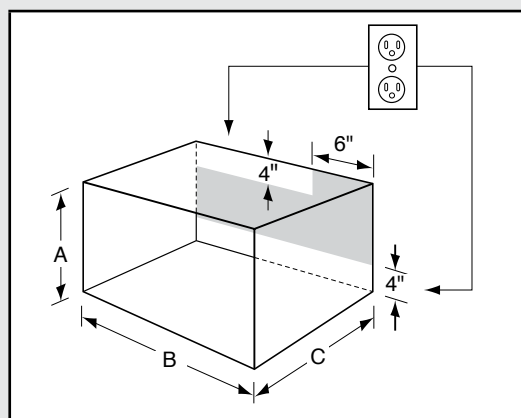
B LARGEUR : 61,2 à 62,7 cm (24 3/8 - 24 11/16 po.)

C PROFONDEUR : 50,9 cm minimum (20 po.)



La prise secteur pour l'appareil ne doit pas être située dans la zone grisée indiquée.

1. Si la dimension de profondeur C est supérieure à 53,3 cm (21 po.) l'emplacement de la prise secteur est indifférent sur la cloison arrière.
2. Le plancher dans l'ouverture doit être construit en contreplaqué suffisamment robuste pour supporter le poids du four et de la charge sur le plancher (environ 45 kg). Le plancher doit être de niveau pour un bon fonctionnement du four. Bien vérifier les règlements de construction qui pourraient demander à ce que l'ouverture soit enclose avec côtés, sommets et cloison arrière. Cet entourage n'est pas nécessaire pour le bon fonctionnement du four.



Le kit comprend toutes les pièces nécessaires et des instructions faciles à suivre pour l'installation ainsi que l'emplacement de l'alimentation secteur.

La facilité de montage de ces kits permet l'installation dans une ouverture de cloison existante en moins d'une heure (si la prise secteur est déjà bien située).

Tout est fait en quatre temps avec l'aide d'un tournevis cruciforme Phillips.



# Instructions de mise à la terre

Cet appareil doit être mis à la terre. Ce four est équipé d'un cordon d'alimentation avec fil de mise à la terre, et d'une fiche de mise à la terre. Il faut le brancher dans une prise murale qui a été installée correctement et mise à la terre selon le Code national de l'électricité et les codes et décrets locaux. En cas de court-circuit électrique, la mise à la terre réduit les risques de choc électrique en permettant au courant de s'échapper par le fil de mise à la terre.

**AVERTISSEMENT** – Un mauvais usage de la prise de terre peut causer des chocs électriques.

## INSTALLATION ÉLECTRIQUE

La tension d'alimentation est 120 volts, 60 Hz, CA seulement, 15 A ou plus et doit être protégée. Il est recommandé d'alimenter le four par un circuit séparé.

Le four est équipé d'une fiche de terre à trois broches. Il faut la brancher dans une prise murale correctement installée et mise à la terre. Si vous ne possédez que des prises à deux broches, demandez à un électricien de métier d'installer une prise murale qui convienne.

Un adaptateur à trois broches peut être utilisé temporairement si les codes électriques locaux le permettent. Suivre les instructions fournies sur l'emballage.

Le cordon d'alimentation est court pour éviter qu'on ne s'y empêtre ou qu'on tombe.

## RALLONGE

Si une rallonge est nécessaire, utiliser une rallonge à trois fils munie d'une fiche de terre à trois broches et d'une prise à trois fentes qui accepte la fiche du four à micro-ondes. La puissance nominale de la rallonge doit être de 115-120 volts CA, 15 ampères ou plus.

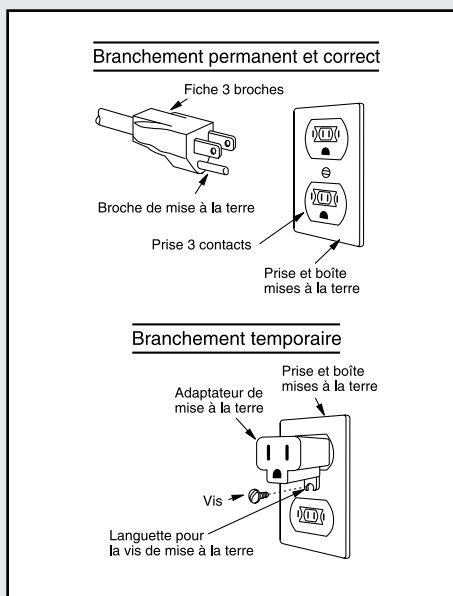
Faire attention de ne pas laisser dépasser le cordon du comptoir ou de la table, pour éviter que des enfants ne tirent dessus ou que quelqu'un ne s'y empêtre et tombe.

### Remarques :

1. Pour toute question à propos de l'installation électrique ou de la mise à la terre, consulter un électricien de métier ou un réparateur qualifié.
2. Ni Viking Range, LLC ni le détaillant ne peuvent être tenus responsables des dommages au four ou des blessures causés par une installation qui ne répond pas aux normes.

## INTERFÉRENCE

Si le four à micro-ondes provoque de l'interférence avec la radio ou la télévision, vérifier qu'il est branché sur un circuit indépendant, en éloigner la radio ou la télévision le plus possible et vérifier la position et le signal de l'antenne de réception.



# Les informations que vous devez savoir

## LE FOUR À MICRO-ONDES

Ce mode d'emploi est précieux; le lire attentivement et le conserver pour s'y reporter, au besoin.

Un bon livre de cuisine aux micro-ondes est très utile. Il présente les principes, les techniques, des conseils et des recettes de cuisine aux micro-ondes.

Ne JAMAIS se servir du four sans le plateau tournant et le support. Ne pas installer le plateau tournant à l'envers pour faire entrer dans le four un plat de grandes dimensions. Le plateau tourne dans les deux sens.

S'assurer à ce qu'il y ait TOUJOURS des aliments dans le four lorsqu'il est allumé, de sorte qu'ils absorbent l'énergie produite.

Quand on utilise le four à des niveaux de puissance inférieurs à 100 %, on peut entendre la mise en marche et l'arrêt du magnétron. Il est normal que l'extérieur du four soit chaud au toucher pendant la cuisson ou le réchauffement.

La condensation est un phénomène normal pendant la cuisson au four à micro-ondes. L'humidité ambiante et la teneur en eau des aliments déterminent le degré de condensation à l'intérieur du four.

En règle générale, les aliments couverts produisent moins de condensation que les aliments cuits à découvert. Veiller à ce que les événements à l'arrière du four soient toujours dégagés.

Ce four est conçu seulement pour la préparation des aliments. Il ne doit pas être utilisé pour sécher des vêtements ou des journaux.

La puissance de ce four est de 1100 watts calculée par la méthode d'essai CEI. Vérifier la cuisson des aliments une minute ou deux avant la fin de la période minimum de cuisson indiquée sur les recettes et les emballages et, s'il y a lieu, augmenter le temps de cuisson.

## À PROPOS DES ENFANTS ET DU FOUR À MICRO-ONDES

Les enfants de moins de 7 ans ne devraient utiliser le four à micro-ondes que sous la surveillance étroite d'un adulte. Les enfants de 7 à 12 ans devraient utiliser l'appareil sous la surveillance d'un adulte se trouvant dans la même pièce qu'eux.

L'enfant doit être capable d'atteindre facilement le four; sinon, le faire monter sur un tabouret robuste et stable.

Il ne faut jamais s'appuyer ou s'accrocher à la porte du four à micro-ondes. Il faut enseigner les mesures de sécurité aux enfants : employer des gants isolants, enlever les couvercles avec précaution, faire très attention aux contenants d'aliments croustillants qui peuvent devenir très chauds.

Ne pas présumer qu'un enfant qui connaît bien une fonction de l'appareil les connaît toutes.

Les enfants doivent savoir qu'un four à micro-ondes n'est pas un jouet. Voir la page 27 pour obtenir des renseignements sur le verrouillage de sécurité. Préparation de divers aliments

## À PROPOS DES USTENSILES ET DES MOYENS DE COUVRIR LES ALIMENTS

Il n'est pas nécessaire d'acheter une nouvelle batterie de cuisine. La plupart des ustensiles dont on dispose habituellement dans un ménage peuvent être utilisés dans le four à micro-ondes. S'assurer que les ustensiles ne touchent pas les parois intérieures pendant la cuisson.

### ON PEUT UTILISER LES USTENSILES ET MATÉRIAUX SUIVANTS POUR CUIRE ET RÉCHAUFFER SANS DANGER DANS UN FOUR À MICRO-ONDES :

- la vitrocéramique (Pyroceram®), comme Corningware®
- le verre résistant à la chaleur (Pyrex®)
- les plastiques pour micro-ondes
- les assiettes en papier
- la céramique, la poterie, la porcelaine pour micro-ondes
- les plats à brunir (ne pas dépasser les temps de préchauffage recommandés. Suivre les instructions du fabricant.)

### LES ARTICLES SUIVANTS PEUVENT ÊTRE UTILISÉS POUR LE RÉCHAUFFAGE TRÈS COURT DES ALIMENTS QUI CONTIENNENT PEU DE SUCRE OU DE GRAISSES :

- le bois, la paille et l'osier

### NE PAS UTILISER

- des poêles et des plats de cuisson métalliques
- des plats à bordure métallique
- du verre qui ne résiste pas à la chaleur
- des plastiques qui ne conviennent pas aux micro-ondes (contenants de margarine)
- des produits en papier recyclé
- des sacs en papier
- des sacs pour la conservation des aliments
- des attaches métalliques

Pour vérifier si un plat va au four à micro-ondes, le placer dans le four et mettre le four en marche à la puissance maximale pendant 30 secondes. Si le plat devient très chaud, il ne faut pas l'employer.

### LES PRODUITS ET ARTICLES SUIVANTS PEUVENT ÊTRE UTILISÉS POUR COUVRIR LES PLATS, RÉCIPIENTS, ETC. :

- Les essuie-tout conviennent bien pour recouvrir les aliments pendant le réchauffage et pour absorber la graisse de cuisson du bacon.

# Les informations que vous devez savoir

- Le papier ciré peut être employé pour la cuisson et le réchauffage.
- Le film plastique destiné spécialement à être utilisé au four à micro-ondes peut être utilisé pour la cuisson et le réchauffage. Le film plastique ne doit JAMAIS entrer en contact avec les aliments. Faire une ouverture pour laisser la vapeur s'échapper.
- Les couvercles pour micro-ondes sont un très bon choix, car ils concentrent la chaleur sur les aliments et accélèrent la cuisson.
- Les sacs de cuisson au four conviennent pour les grosses pièces de viande ou les aliments à attendrir. NE PAS UTILISER d'attaches métalliques. Percer le sac pour laisser s'échapper la vapeur.

## UTILISATION DU PAPIER D'ALUMINIUM DANS LE FOUR À MICRO-ONDES :

- Un petit morceau non froissé de papier d'aluminium posé sur les aliments peut être utilisé pour protéger les parties qui décongèlent ou cuisent trop rapidement.
- Le papier d'aluminium doit être à au moins 2,5 cm des parois du four.

Pour toute question concernant les ustensiles ou la manière de couvrir les aliments, consulter un bon livre de cuisine spécialisé en micro-ondes ou suivre les conseils de la recette.

**ACCESSOIRES :** De nombreux accessoires pour four à micro-ondes sont offerts sur le marché. Évaluer soigneusement vos besoins avant d'en faire l'acquisition. Un thermomètre pour micro-ondes permettra de vérifier la cuisson et de s'assurer que les aliments sont cuits à point et à la bonne température. Viking Range, LLC n'est pas responsable des dommages au four résultant de l'utilisation d'accessoires.

## À PROPOS DE LA CUISSON AUX MICRO-ONDES

- Disposer les aliments avec soin. Placer la partie la plus épaisse des aliments vers l'extérieur du plat.
- Vérifier le temps de cuisson. Cuire les aliments pendant la plus courte période indiquée et prolonger la cuisson au besoin. Des aliments trop cuits peuvent dégager de la fumée ou prendre feu.
- Recouvrir les aliments pendant la cuisson. Selon la recette ou le livre de cuisine, utiliser un essuie-tout, du papier ciré, un film plastique allant au micro-ondes ou un couvercle. Couvrir les aliments empêche les éclaboussures et leur permet de cuire de manière uniforme.
- Protéger les parties de viande ou de volaille très minces par des petits écrans en papier d'aluminium pour éviter qu'ils ne cuisent trop vite par rapport aux parties plus

épaisses.

- Si possible, remuer les aliments de l'extérieur du plat vers le centre une ou deux fois pendant la cuisson.
- Retourner les aliments comme du poulet et des galettes de viande une fois au cours de la cuisson afin d'accélérer le processus. Il faut retourner les grosses pièces comme les rôtis au moins une fois.
- Au milieu de la cuisson, déplacer les aliments comme les boulettes de viande, de l'intérieur du plat vers l'extérieur, et du haut vers le bas.
- Prévoir du temps de repos. Retirer les aliments du four et, si possible, les remuer. Couvrir les aliments pendant ce temps pour leur permettre de finir de cuire.
- Vérifier la cuisson. Rechercher les signes qui indiquent que les aliments sont cuits à point.

Par exemple :

- La vapeur s'élève de toute la surface des aliments, pas seulement des bords.
- Le fond du plat est très chaud au toucher.
- Les cuisses de poulet se détachent facilement.
- La viande et la volaille ne présentent plus de parties rosées.
- Le poisson est opaque et se défait facilement à la fourchette.

## À PROPOS DE LA SÉCURITÉ

- On recommande les températures de cuisson suivantes. Pour vérifier si les aliments sont cuits à point, insérer un thermomètre à viande dans un endroit épais, à l'écart de la graisse et des os. Ne JAMAIS laisser le thermomètre dans les aliments qui cuisent, sauf s'il est approuvé pour emploi aux micro-ondes.

TEMP	ALIMENTS
160°F (71°C)	... pour le porc, la viande hachée, le blanc de poulet sans os, le poisson, les fruits de mer, les œufs frais et les aliments préparés surgelés.
165°F (74°C)	... pour les restes de table, les aliments réfrigérés prêts-à-réchauffer, et les aliments frais d'un traiteur ou l'équivalent.
170°F (77°C)	... les blancs de volaille.
180°F (82°C)	... la viande brune de volaille.

- TOUJOURS utiliser des gants isolants pour éviter des brûlures lorsque l'on se sert d'ustensiles en contact avec des aliments chauds. La chaleur transférée des aliments aux ustensiles peut provoquer des brûlures.
- Diriger la vapeur loin du visage et des mains afin d'éviter des brûlures. Soulever doucement la partie la plus éloignée des couvercles et des pellicules et ouvrir

# Les informations que vous devez savoir

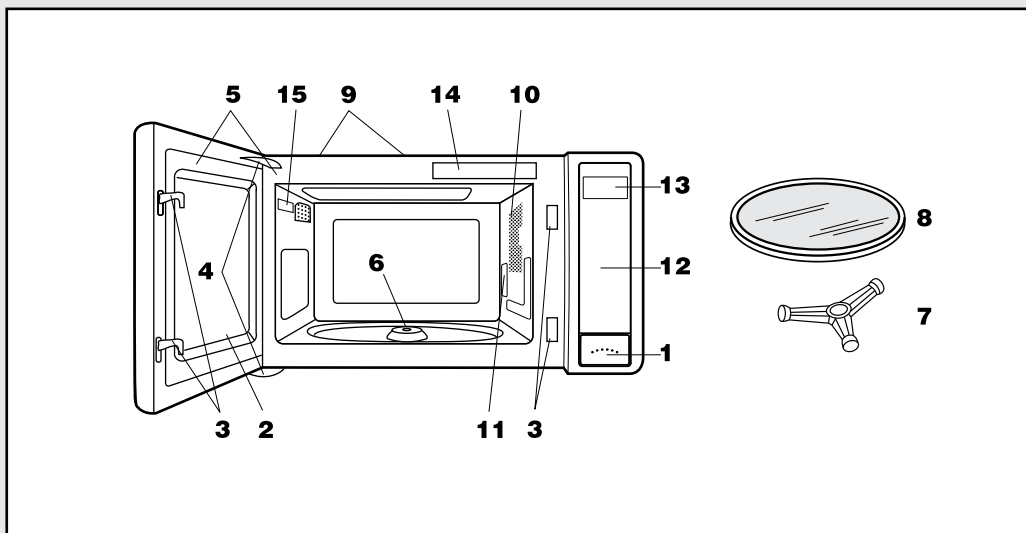
- lentement les sacs de maïs soufflé ou de cuisson en les tenant loin du visage.
- Rester près du four quand il fonctionne et vérifier fréquemment la cuisson afin d'éviter de trop cuire les aliments.
- Ne JAMAIS entreposer des livres de cuisine ou autres objets dans la cavité du four.
- Choisir, entreposer et manipuler la nourriture de manière à préserver sa qualité et à minimiser la prolifération de bactéries alimentaires.
- Garder le couvercle du guide d'ondes propre. Les résidus d'aliments peuvent causer des étincelles ou s'enflammer.
- Retirer les aliments du four en prenant soin de ne pas toucher le système de fermeture de sûreté de la porte avec des ustensiles, ses vêtements ou les accessoires.
- Gardez une feuille d'aluminium utilisé pour le blindage au moins 1 pouce (2,5 cm) des murs, le plafond et porte de four micro-ondes.

## PRÉPARATION DE DIVERS ALIMENTS

ALIMENT	A FAIRE	A NE PAS FAIRE
Œufs, saucisses noix, graines, fruits et légumes	<ul style="list-style-type: none"> <li>• Percer les jaunes pour éviter qu'ils n'éclatent pendant la cuisson.</li> <li>• Piquer la pelure des pommes de terre, des pommes, des courges ainsi que les saucisses afin de permettre à la vapeur de s'échapper.</li> </ul>	<ul style="list-style-type: none"> <li>• Cuire les œufs dans leur coquille.</li> <li>• Réchauffer des œufs entiers.</li> <li>• Faire sécher les noix ou les graines dans leur écaille.</li> </ul>
Maïs soufflé	<ul style="list-style-type: none"> <li>• Utiliser seulement du maïs soufflé pour micro-ondes.</li> <li>• Attendre que seuls quelques grains isolés éclatent toutes les 1 ou 2 secondes, ou appuyer sur la touche POPCORN.</li> </ul>	<ul style="list-style-type: none"> <li>• Faire éclater des grains de maïs dans des sacs de papier brun ou dans un bol de verre.</li> <li>• Dépasser le temps indiqué sur l'emballage.</li> </ul>
Aliments pour bébés	<ul style="list-style-type: none"> <li>• Transférer la nourriture dans de petits plats et faire réchauffer doucement, en remuant souvent. Vérifier la température des aliments avant de servir.</li> <li>• Mettre la tétine sur le biberon après l'avoir réchauffé et bien brassé celui-ci ce dernier faire le «test du poignet» avant de donner le biberon à bébé.</li> </ul>	<ul style="list-style-type: none"> <li>• Faire chauffer les aliments commerciaux pour bébés dans leurs pots.</li> <li>• Faire chauffer des biberons jetables.</li> <li>• Faire chauffer les biberons avec la tétine.</li> </ul>
Généralités	<ul style="list-style-type: none"> <li>• Après avoir réchauffé des aliments contenant une garniture, les couper afin de laisser s'échapper la vapeur et d'éviter des brûlures.</li> <li>• Bien mélanger les liquides avant et après la cuisson pour que la chaleur soit uniforme.</li> <li>• Faire cuire les aliments liquides et les céréales dans un bol profond afin d'éviter qu'ils ne débordent.</li> </ul>	<ul style="list-style-type: none"> <li>• Réchauffer ou faire cuire des aliments dans des contenants hermétiques ou fermés en verre.</li> <li>• Préparer des conserves au four à micro-ondes, car des bactéries dangereuses pourraient ne pas être tuées.</li> <li>• Utiliser le four à micro-ondes pour faire de la friture.</li> <li>• Faire sécher du bois, des courges, des herbes ou du papier.</li> </ul>

# Nomenclature

## PIÈCES DU FOUR À MICRO-ONDE



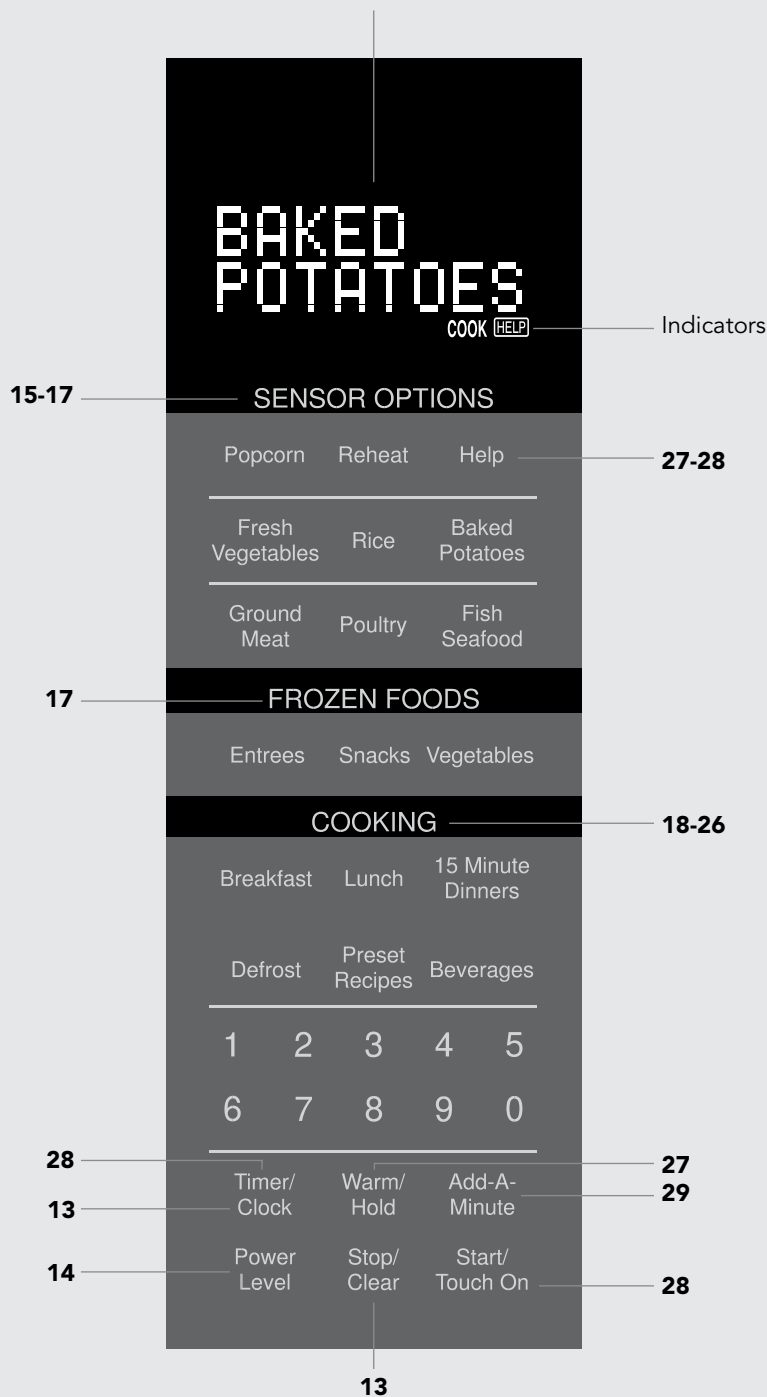
- 1 Bouton d'ouverture de la porte Appuyer sur ce bouton pour ouvrir la porte.
- 2 Porte du four avec hublot
- 3 Verrous de la porte  
Le four ne peut pas fonctionner si la porte n'est pas parfaitement fermée.
- 4 Charnières de la porte
- 5 Joints d'étanchéité et surfaces d'étanchéité
- 6 Arbre d'entraînement du plateau tournant
- 7 Support amovible du plateau tournant  
Placer soigneusement le support du plateau tournant au centre du four.
- 8 Plateau tournant  
Le placer sur le support et l'arbre d'entraînement. Il peut tourner dans le sens des aiguilles d'une montre ou dans le sens inverse. Ne le retirer que pour le nettoyer.
- 9 Orifices de ventilation (arrière)
- 10 Lampe du four  
Elle s'allume lorsque la porte est ouverte ou que le four est en service.
- 11 Couvercle du guide d'ondes : ne pas enlever.
- 12 Tableau de commande à touches
- 13 Affichage interactif des temps (99 minutes, 99 secondes)
- 14 Étiquette de menu de COOKING (CUISSON)
- 15 Evaluation étiquette

# Nomenclature

## TABLEAU DE COMMANDE

L'afficheur interactif de deux lignes indique les étapes de fonctionnement et indique des conseils de cuisson. Lorsque HELP apparaît sur l'afficheur, appuyer sur la touche Help pour lire un conseil précis susceptible de vous aider.

Commandes du produit




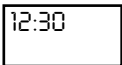
Les chiffres en marge de l'illustration du tableau de commande renvoient aux pages où sont décrits les caractéristiques et les renseignements concernant le mode d'emploi.

# Avant l'usage

- Avant d'utiliser ce four, prendre la peine de lire intégralement ce mode d'emploi.
- Avant d'utiliser le four, procéder ainsi :
  1. Brancher la fiche du cordon d'alimentation. Fermer la porte. La phrase WELCOME PRESS CLEAR AND PRESS CLOCK s'affiche.
  2. Appuyer sur la touche Stop/Clear. L'indication : s'affiche.
  3. Régler l'horloge.

## RÉGLAGE DE L'HORLOGE

- Supposons que l'on veuille régler l'horloge à 12:30 (du jour ou de la nuit).

MARCHE À SUIVRE	AFFICHEUR
1. Presione el botón Timer/Clock (Temporizador/Reloj) y el botón número 2.	
2. Entrer l'heure correcte de la journée en appuyant sur les touches numériques. Appuyer à nouveau sur la touche Timer/Clock.	

Cette horloge est conçue selon un cycle de 12 heures. En cas d'entrée d'une heure non valable, l'indication ERROR s'affiche. Appuyer sur la touche Stop/Clear et entrer l'heure correcte.

- Si l'alimentation électrique du four à micro-ondes est coupée, l'indication WELCOME PRESS CLEAR AND PRESS CLOCK s'affiche et clignote dès que l'alimentation est rétablie. Si cela se produit durant la cuisson, le programme de cuisson et l'heure de la journée seront effacés. Appuyer sur la touche Stop/Clear et remettre l'horloge à l'heure.

## CHOIX DE LA LANGUE ET DES UNITÉS DE POIDS

Par défaut, ce four affiche les messages et les unités de poids en anglais. Pour changer cela, appuyer sur la touche Help et sur la touche 4 autant de fois qu'il est nécessaire pour obtenir la langue et le système d'unités souhaité. Enfin, appuyer sur la touche Start/Touch On. Voir page 28.

## ARRÊT/ANNULATION

Utiliser la touche Stop/Clear pour :

1. Effacer une erreur durant la programmation.
2. Annuler le fonctionnement de la minuterie.
3. Arrêter le four temporairement durant la cuisson.
4. Afficher l'heure actuelle.
5. Annuler un programme durant la cuisson (toucher deux fois).

# Fonctionnement manuel

## CUISSON PAR MICRO-ONDES

Le four peut être programmé pour 99 minutes 99 secondes (99.99). Indiquer les secondes après les minutes même si le nombre de secondes est égal à zéro.

- Supposons que l'on veuille cuire pendant 5 minutes à 100 %.

MARCHE À SUIVRE	AFFICHEUR
1. Préciser le temps de cuisson.	5:00
2. Appuyer sur la touche Start/Touch On.	5:00 COOK

## TO SET POWER LEVEL

Onze niveaux de puissance sont prévus.

Plus le niveau de puissance est faible, plus le temps de cuisson est long, ce qui est conseillé pour les aliments tels que le fromage, le lait ou les viandes qui exigent une cuisson lente. Consulter un livre de cuisine ou de recettes pour chaque cas particulier.

APPUYER SUR LA TOUCHE POWER LEVEL JUSQU'À CE QUE LE NIVEAU DE PUISSANCE DÉSIRÉ S'AFFICHE	POURCENTAGE APPROXIMATIF DE LA PUISSANCE	NOMS DONNÉS AUX NIVEAUX DE PUISSANCE
Power Level x 1	100%	High (élevé)
Power Level x 2	90%	
Power Level x 3	80%	
Power Level x 4	70%	Medium High (mi-élevé)
Power Level x 5	60%	
Power Level x 6	50%	Medium (moyen)
Power Level x 7	40%	
Power Level x 8	30%	Med Low/Defrost (mi-faible/décongélation)
Power Level x 9	20%	
Power Level x 10	10%	Low (faible)
Power Level x 11	0%	

- Supposons que l'on veuille décongeler des aliments pendant 5 minutes à 30 %.

MARCHE À SUIVRE	AFFICHEUR
1. Préciser la durée de décongélation désirée.	5:00
2. Appuyer huit fois sur la touche Power Level ou maintenir enfoncée jusqu'à ce le niveau de puissance désiré s'affiche.	30 PERCENT
3. Appuyer sur la touche Start/Touch On.	5:00 COOK
4. Une fois la période de décongélation terminée, un signal sonore prolongé se fait entendre et END apparaît à l'affichage.	END

## DÉCONGÉLATION MANUELLE

Si les aliments que vous voulez décongeler ne sont pas listés dans les tableaux de Super et Auto Defrost (pages 24 et 25), ou sont au-dessus ou en-dessous des limites de leur colonne de quantité, vous devrez décongeler manuellement.

Il est possible de décongeler n'importe quel aliment cru ou cuit en utilisant le niveau de puissance de 30%. Se reporter à la séquence ci-dessus et suivre les 4 étapes faciles décrites sous réglage du niveau de puissance. Évaluer le temps de décongélation et appuyer sur la touche Power Level huit fois pour obtenir un niveau de puissance de 30%.

Pour les aliments crus ou cuits, compter en moyenne 4 minutes par livre. Par exemple, choisir 4 minutes pour décongeler une livre de sauce à spaghetti.

Arrêter le four périodiquement pour retirer ou séparer les portions déjà décongelées. Si les aliments ne sont pas entièrement décongelés à l'expiration du temps précisé, utiliser le niveau de puissance 3 pendant des périodes de une minute pour obtenir la décongélation complète.

Si les aliments congelés sont dans un récipient en matière plastique, ne les décongeler que pendant le temps nécessaire pour les retirer du récipient, puis les déposer dans un plat convenant aux micro-ondes.



# Sensor Options (Options de capteur)

Ce four possède un capteur à semi-conducteur. Ce capteur détecte la vapeur (l'humidité) produite par les aliments au cours de leur cuisson et règle le temps de cuisson et la puissance à utiliser en fonction de la nature des aliments et de leur quantité.

## **PARTICULARITÉS DE LA CUISSON COMMANDÉE PAR CAPTEUR :**

1. Après le branchement du four, attendre 2 minutes avant d'utiliser ce SENSOR OPTIONS.
2. S'assurer que l'extérieur du récipient de cuisson et l'intérieur du four sont secs. Essuyer toute trace d'humidité avec un chiffon sec ou un essuie-tout.
3. Le four fonctionne lorsqu'il s'agit d'aliments conservés à la température de rangement normal. Par exemple, le maïs soufflé serait à la température de la pièce.
4. Toute sélection de cuisson commandée par capteur peut être programmée avec un réglage supérieur ou inférieur à la durée. Voir la page 27.
5. Si la quantité d'aliments est inférieure ou supérieure à celle du tableau, on doit tenir compte des conseils fournis dans un livre de cuisine pour four à micro-ondes.
6. Au cours de la première période de cuisson commandée par le capteur, le nom de l'aliment s'affiche. Ne pas ouvrir la porte du four, ni appuyer sur la touche Stop/Clear au cours de cette période, car cela provoquerait l'interruption de la mesure du degré d'humidité. Si ces consignes ne sont pas respectées, un message d'erreur s'affiche et la cuisson commandée par le capteur s'arrête. Pour poursuivre la cuisson, appuyer sur la touche Stop/Clear et choisir le temps de cuisson et le niveau de puissance.  

Lorsque le capteur détecte la vapeur émise par les aliments, le temps restant avant la fin de la cuisson est indiqué sur le four. On peut ouvrir la porte lorsque ce temps de cuisson restant s'affiche. À ce moment-là, on peut aussi remuer les aliments et les assaisonner, au goût.
7. Si pendant le soufflage du maïs, le capteur ne détecte pas correctement la vapeur émise, le four cesse de fonctionner et l'heure réelle du jour est affichée. Si le capteur ne détecte pas correctement la vapeur émise lors de la cuisson d'autres aliments, l'indication ERREUR s'affiche et le four cesse de fonctionner.
8. Vérifier la cuisson des aliments à la fin de la cuisson commandée par le capteur. Si une prolongation de la cuisson est nécessaire, préciser la durée et le niveau de puissance.
9. Il y a un conseil de cuisson pour chaque aliment. Appuyer sur la touche Help lorsque l'indicateur HELP est affiché.

## **MANIÈRES DE COUVRIR LES ALIMENTS :**

Certains aliments cuisent mieux lorsqu'ils sont couverts. Procéder selon les instructions fournies dans le tableau pour ces aliments.

1. Couvercle.
2. Pellicule plastique : Utiliser une pellicule plastique recommandée pour les fours à micro-ondes. Couvrir le plat sans serrer et en conservant une ouverture de 1,5 cm (½ po) de manière à ce que la vapeur puisse s'échapper. La pellicule plastique ne doit pas être en contact avec les aliments.
3. Papier ciré : Couvrir entièrement le plat et replier le papier sous le plat de manière à ce qu'il soit maintenu. Si le plat est plus grand que la largeur du papier, utiliser deux morceaux de papier placés de manière à ce qu'ils se chevauchent d'au moins 2,5 cm (1 po).

S'assurer, lorsque l'on retire l'élément ayant servi à couvrir les aliments, que la vapeur s'échappe du côté opposé à l'utilisateur.

### **Exemple :**

Il est possible de cuire bon nombre d'aliments simplement en appuyant sur une touche. Il n'est pas nécessaire de calculer le temps de cuisson ou la puissance.

- Supposons que l'on veuille réchauffer une boîte de chili.

1. Appuyer sur la touche Reheat.
2. Appuyer sur la touche Start/Touch On.

Lorsque le capteur détecte la vapeur dégagée par les aliments, la durée de cuisson qui reste s'affiche.

### **Remarque :**

Les réglages Fresh Vegetables (Légumes frais) et Poultry (Volaille) offrent deux options. Suivre les instructions affichées pour sélectionner l'option désirée.

# Sensor Options (Options de capteur)

## TABLEAU SENSOR OPTIONS

ALIMENT	QUANTITÉ	MARCHE À SUIVRE															
Popcorn (Maïs soufflé)	Un seul sac Sac de 1,5 à 3,5 onces (45 à 100 g)	N'utiliser que du maïs soufflé pour micro-ondes. Appuyer sur la touche Popcorn puis sur Start/Touch On.															
Reheat (Réchauffage)	4 à 36 onces (0,12 à 1,0 kg)	Déposer les aliments dans un plat ou un bol légèrement plus grand que la quantité à réchauffer. Couvrir avec le couvercle, une pellicule plastique ou du papier ciré. Utiliser de préférence ces deux premiers dans le cas de grandes quantités ou d'aliments denses comme les ragoûts. Après réchauffage, remuer soigneusement si cela est possible. Les aliments doivent être très chauds. Si ce n'est pas le cas, poursuivre le réchauffage en précisant la durée et le niveau de puissance. Après avoir remué les aliments, les couvrir à nouveau et les laisser reposer de 2 à 3 minutes.															
Fresh Vegetables (Légumes frais) : tendres		Laver les légumes, puis les placer dans un bol. Ne pas ajouter d'eau si les légumes viennent tout juste d'être lavés. Couvrir avec le couvercle pour obtenir des légumes tendres. Utiliser une pellicule plastique pour obtenir des légumes tendres mais croustillants. Appuyer sur la touche Fresh Vegetables, sur la touche 1 puis sur la touche Start/Touch On.															
Brocoli	0,25 à 2 lb																
Chou de Bruxelles	0,25 à 2 lb																
Chou vert	0,25 à 2 lb																
Chou-fleur (bouquets)	0,25 à 2 lb																
Chou-fleur (entier)	1 moyen																
Épinards	0,25 à 1 lb																
Courgettes	0,25 à 2 lb																
Pommes au four	2 à 4 moyennes																
Fresh Vegetables (Légumes frais) : durs		Les placer dans un bol. Ajouter 1 à 4 c. à soupe d'eau. Couvrir avec le couvercle pour obtenir des légumes tendres. Utiliser une pellicule plastique pour obtenir des légumes tendres, mais croustillants. Appuyer sur la touche Fresh Vegetables, sur la touche 2 puis sur la touche Start/Touch On.															
Carottes tranchées	0,25 à 1,5 lb																
Épis de maïs	2 à 4																
Haricots verts	0,25 à 1,5 lb																
Courge d'hiver : en dés moitiés	0,25 à 1,5 lb 1 ou 2																
Rice (Riz)	0,5 à 2 tasses	Placer le riz dans un bol profond et ajouter une quantité double d'eau. Mettre le couvercle ou couvrir d'une pellicule plastique. Après la cuisson, remuer, couvrir et laisser reposer pendant 3 à 5 minutes ou jusqu'à ce que tout le liquide soit absorbé.															
		<table border="1"> <thead> <tr> <th>Riz</th> <th>Eau</th> <th>Taille du bol</th> </tr> </thead> <tbody> <tr> <td>0,5 tasse</td> <td>1 tasse</td> <td>1,5 pinte (1,5l)</td> </tr> <tr> <td>1 tasse</td> <td>2 tasses</td> <td>2 pintes (2l)</td> </tr> <tr> <td>1,5 tasse</td> <td>3 tasses</td> <td>2,5 ou 3 pintes (2,5 ou 3l)</td> </tr> <tr> <td>2 tasses</td> <td>4 tasses</td> <td>3 pintes ou plus (3l)</td> </tr> </tbody> </table>	Riz	Eau	Taille du bol	0,5 tasse	1 tasse	1,5 pinte (1,5l)	1 tasse	2 tasses	2 pintes (2l)	1,5 tasse	3 tasses	2,5 ou 3 pintes (2,5 ou 3l)	2 tasses	4 tasses	3 pintes ou plus (3l)
Riz	Eau	Taille du bol															
0,5 tasse	1 tasse	1,5 pinte (1,5l)															
1 tasse	2 tasses	2 pintes (2l)															
1,5 tasse	3 tasses	2,5 ou 3 pintes (2,5 ou 3l)															
2 tasses	4 tasses	3 pintes ou plus (3l)															
Baked Potatoes (Pommes de terre au four)	1 à 8 moyennes	Piquer les pommes de terre. Les placer sur un essuie-tout et les déposer sur le plateau tournant. Après la cuisson, les retirer du four, les envelopper dans une feuille d'aluminium et les laisser reposer pendant 5 à 10 minutes.															

# Sensor Options (Options de capteur)

## TABLEAU SENSOR OPTIONS

ALIMENT	QUANTITÉ	MARCHE À SUIVRE
Ground Meat (Viande hachée)	0,25 à 2,0 lb (0,2 à 0,9 kg)	Utiliser ce réglage pour cuire des galettes de dinde ou de boeuf haché ou pour un mets en cocotte à ajouter à d'autres ingrédients. Placer les galettes sur un support allant au four à micro-ondes et couvrir de papier ciré. Placer la viande hachée dans un plat et couvrir de papier ciré ou de pellicule plastique. Lorsque le four s'arrête, retourner les galettes ou remuer la viande dans le plat pour briser les gros morceaux. Recouvrir et appuyer sur la touche Start/Touch On. Après la cuisson, laisser reposer à couvert de 2 à 3 minutes.
Poultry (Volaille) : Désossée	0,5 à 2,0 lb (0,3 à 0,9 kg)	Utiliser une poitrine de poulet ou de dinde désossée. Couvrir d'une pellicule plastique percée. Appuyer sur la touche Poultry et le chiffre 1 ainsi que sur la touche Start/Touch On. Lorsque le four s'arrête, changer la position des aliments. Couvrir de nouveau et appuyer sur la touche Start/Touch On. Après la cuisson, laisser reposer à couvert pendant 3 à 5 minutes. La température de la volaille devrait être de 70 °C (160 °F).
Avec os	0,5 à 3 lb (0,3 à 1,3 kg)	Disposer les pièces en orientant la partie la plus épaisse vers l'extérieur d'un plat en verre ou d'un plat allant au four à micro-ondes. Couvrir d'une pellicule plastique percée. Appuyer sur la touche Poultry et le chiffre 2 ainsi que sur la touche Start/Touch On. Après la cuisson, laisser reposer à couvert pendant 3 à 5 minutes. La température de la volaille foncée devrait être de 82 °C (180 °F) et de 77 °C (170 °F) pour la viande blanche.
Fish/Seafood (Poisson/fruits de mer)	0,25 à 2,0 lb (0,2 à 0,9 kg)	Disposer en anneau autour d'un plat en verre peu profond (rouler le filet en mettant les bords en-dessous). Couvrir de pellicule plastique. Après la cuisson, laisser reposer à couvert pendant 3 minutes.

## TABLEAU FROZEN FOODS

ALIMENT	QUANTITÉ	MARCHE À SUIVRE
Entrees (Plat principal)	6 à 17 oz (170 à 480 g)	Utiliser ce réglage pour réchauffer des plats surgelés de différentes marques. Il sera peut-être nécessaire de faire l'essai de plusieurs marques avant de trouver celle qu'on préfère. Retirer le plat de l'emballage extérieur et suivre les indications qui y sont données en ce qui concerne le recouvrement du plat. Après la cuisson, laisser reposer à couvert de 1 à 3 minutes.
Snacks (Goûter)	3 à 8 oz (85 à 225 g)	Utiliser pour décongeler des pommes de terre frites, des bâtonnets au fromage, des hors-d'œuvre, etc. Retirer l'aliment de l'emballage extérieur. Suivre le mode d'emploi sur l'emballage pour la manière d'envelopper ou de couvrir. Il faut être prudent au moment de sortir l'aliment du four car il peut être très chaud.
Vegetables (Légumes)	0,25 à 1,25 lb (0,2 à 0,4 kg)	Ne pas ajouter d'eau. Couvrir avec le couvercle ou utiliser une pellicule plastique. Après la cuisson, remuer, et, si possible, laisser reposer à couvert pendant 3 minutes.

# Cooking (Cuisson)

Ce four comporte six touches « prêt-à-servir » pour faciliter la préparation des repas. La préparation de certains mets des programmes Breakfast, Lunch, 15 Minute Dinners et Preset Recipes requiert l'utilisation du capteur. Voir les renseignements sur la cuisson commandée par capteur, à la page 15. Lorsque la préparation ne requiert pas le capteur, suivre les instructions affichées pour entrer les quantités.

## BREAKFAST (PETIT DÉJEUNER) ET LUNCH (DÉJEUNER)

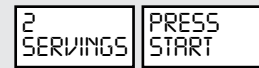
Breakfast et Lunch sont prévus pour la cuisson de préparations courantes qui ne prennent que peu de temps.

- Pour faire cuire deux portions de céréales chaudes à l'aide de la touche Breakfast, par exemple.

MARCHE À SUIVRE	AFFICHEUR
1. Appuyer sur la touche Breakfast.	<div style="display: flex; justify-content: space-around;"> <div style="border: 1px solid black; padding: 2px;">SEE LABEL</div> <div style="border: 1px solid black; padding: 2px;">SELECT FOOD</div> </div> <div style="text-align: center; margin-top: 5px;"> <div style="border: 1px solid black; padding: 2px;">NUMBER</div> </div>
2. Sélectionner le réglage désiré dans Breakfast en appuyant sur la touche numérique. (Par exemple : appuyer sur le chiffre 3 pour choisir des céréales chaudes.)	<div style="display: flex; justify-content: space-around;"> <div style="border: 1px solid black; padding: 2px;">HOT CERERAL</div> <div style="border: 1px solid black; padding: 2px;">ENTER NUMBER</div> </div> <div style="text-align: center; margin-top: 5px;"> <div style="border: 1px solid black; padding: 2px;">OF SERVINGS</div> </div>

MARCHE À SUIVRE	AFFICHEUR
-----------------	-----------

3. Entrer la quantité. (Par exemple : appuyer sur le chiffre 2 pour indiquer les portions.) Appuyer sur la touche Start/Touch On.



Après la cuisson, suivre les instructions affichées.

### Remarque:

1. Le réglage Chauffer petits pains/muffins propose deux options. Suivre les instructions affichées pour sélectionner l'option désirée.
2. Le réglage Breakfast peut être programmé grâce aux options MORE et LESS permettant de régler le temps de cuisson. Appuyer sur la touche Power Level une ou deux fois avant d'appuyer sur la touche Start/Touch On. Voir la page 27.
3. Un indice de cuisson est disponible pour chaque aliment. Pour l'obtenir, appuyer sur la touche Help pendant que l'indicateur HELP est affiché.
4. Si vous tentez d'entrer une quantité d'aliments supérieure ou inférieure à la limite permise, un message d'erreur est affiché. Une quantité supérieure ou inférieure à la quantité indiquée au tableau devrait être cuite en suivant les directives de tout livre de recettes pour four à micro-ondes.
5. Le résultat final de cuisson variera selon l'état des aliments (par exemple, la température initiale, la forme, la qualité et le fait que les aliments soient couverts ou non). Contrôler la température des aliments après la cuisson. Pour ajouter du temps de cuisson, procéder manuellement.

## TABLEAU BREAKFAST

ALIMENT	QUANTITÉ	MARCHE À SUIVRE
1. Scrambled Eggs (Œufs brouillés)	1 à 9 œufs	Pour chaque œuf, ajouter 1 cuillerée à thé de beurre ou de margarine et 1 cuillerée à soupe de lait. Déposer le beurre ou la margarine dans une assiette, une tasse à mesurer ou un plat assez grand pour permettre aux œufs de prendre de l'expansion. Mélanger les œufs et le lait. Verser cette préparation sur le beurre ou la margarine. Enfouir et programmer le four. Lorsque le four émettra un signal sonore, remuer la préparation de sorte que la partie cuite se retrouve au centre du plat et la partie non cuite, dans le pourtour du plat. Après la cuisson, remuer, couvrir et laisser reposer jusqu'à ce que la préparation soit prête. Il est à noter que les œufs ne seront pas assez cuits à la sortie du four.
2. Bacon	2 à 6 morceaux	Déposer le bacon dans une assiette en carton recouverte d'un essuie-tout. Le bacon ne devrait pas dépasser le rebord de l'assiette. À la sortie du four, laisser reposer quelques minutes afin de permettre la fin de la cuisson.

\* No es necesario ingresar una cantidad.

# Cooking (Cuisson)

## TABLEAU BREAKFAST

ALIMENT	QUANTITÉ	MARCHE À SUIVRE
3. Hot Cereal (Céréales chaudes)	1 à 6 portions	Sélectionner votre variété préférée de céréales, en sachets individuels ou en vrac : farine d'avoine, son d'avoine, semoule, farina ou froment. Suivre les directives de l'emballage afin d'utiliser la bonne quantité d'eau ou de lait. Couvrir d'un autre essuie-tout. Suivre les directives de l'emballage afin d'utiliser la bonne quantité d'eau ou de lait. Pour éviter tout débordement, il est très important de choisir un grand contenant car les céréales cuites au four à micro-ondes bouillent fortement. À l'arrêt du four, remuer puis appuyer sur la touche Start/Touch On. Après la cuisson, remuer, couvrir et laisser reposer 2 minutes.
4. Rolls & Muffins (Chauffer petits)		Utiliser cette touche pour réchauffer des petits pains, des muffins, des biscuits, des bagels, etc. Un gros aliment doit être considéré comme étant égal à 2 ou 3 aliments de taille normale. Déposer dans une assiette et couvrir d'un essuie-tout.
Frais	1 à 10 morceaux	Pour réchauffer des petits pains ou des muffins frais, appuyer sur la touche Breakfast cinq fois puis une fois sur la touche 1. Entrer ensuite la quantité désirée puis appuyer sur la touche Start/Touch On. Dans le cas de petits pains ou de muffins conservés au réfrigérateur, il peut être nécessaire de doubler la quantité de manière à ce qu'ils soient assez chauds pour être servis. Par exemple, entrer une quantité égale à 2 muffins pour un seul muffin réfrigéré.
Surgelés	1 à 10 morceaux	Dans le cas de petits pains ou de muffins surgelés, appuyer sur la touche Breakfast cinq fois puis une fois sur la touche 2. Entrer ensuite la quantité désirée puis appuyer sur la touche Start/Touch On.
5. Frozen Breakfast Foods (Aliments surgelés pour petit déjeuner)*	1 (3 à 6 oz)	Ce réglage est utile pour cuire des petits déjeuners, des crêpes, des gaufres ou des burritos congelés, entre autres. Suivre les directives du fabricant quant à la cuisson au four à micro-ondes. Après la cuisson, laisser reposer 1 à 2 minutes.

\* No es necesario ingresar una cantidad.

## TABLEAU LUNCH

ALIMENT	QUANTITÉ	MARCHE À SUIVRE
1. Meal in the Cup (Repas dans une tasse)*	1 (6 à 8 oz (170 à 225 g))	Ce réglage est idéal pour réchauffer des repas individuels offerts dans de petits emballages (habituellement de 6 à 8 oz) allant au four à micro-ondes. Retirer la pellicule métallique intérieure et déposer le couvercle sur le contenant allant au four à micro-ondes. Après la cuisson, remuer les aliments et laisser reposer 1 ou 2 minutes.
2. Hot Dogs in Buns (Saucisse et petit pain)*	1 à 4	Déposer la saucisse dans un pain à hot-dog. Emballer chaque hot-dog dans un essuie-tout ou une serviette de table.
3. Soup (Soupe)*	1 à 8 tasses	Verser la soupe dans un bol ou un plat. Mettre un couvercle ou couvrir d'une pellicule plastique. Après la cuisson, remuer, couvrir à nouveau et laisser reposer 1 à 3 minutes.
4. Microwave Pizza (Pizza pour micro-ondes)*	1 (6 à 8 oz (170 à 230 g))	Utiliser ce réglage pour faire cuire les pizzas surgelées au micro-ondes. Retirer la pizza de son emballage et la déballer. Suivre les directives quant à l'utilisation de l'emballage ou d'un plateau d'argent pour mets croustillants.
5. Frozen Sandwich (Sandwichs surgelés)*	1 (3 à 6 oz (85 à 170 g))	Utiliser ce réglage pour réchauffer les sandwichs surgelés au micro-ondes. Retirer le sandwich de son emballage et suivre les directives quant à l'enfournement.

\* No es necesario ingresar una cantidad.

# Cooking (Cuisson)

## 15 MINUTE DINNERS (PLATS RAPIDES EN 15 MINUTES) ET PRESET RECIPES (RECETTES PROGRAMMÉES)

Les fonctions 15 Minute Dinners et Preset Recipes offrent chacune cinq repas faciles à préparer mais vraiment délicieux. Suivre les indications précises sur la fiche de recette ainsi que les instructions affichées.

- Supposons que vous vouliez préparer le poulet en sauce grâce à la fonction 15 Minute Dinners.

MARCHE À SUIVRE	AFFICHEUR	
1. Appuyer sur la touche 15 Minute Dinners.	SEE LABEL	SELECT RECIPE NUMBER
2. Sélectionner le réglage désiré dans 15 Minute Dinners en appuyant sur la touche numérique.	SEE RECIPE	CARD PRESS START

MARCHE À SUIVRE	AFFICHEUR
-----------------	-----------

(Par exemple : appuyer sur le chiffre 1 pour sélectionner le poulet en sauce.)

Suivre les indications de la fiche de recette pour prendre connaissance des ingrédients et des instructions. Appuyer sur la touche Start/Touch On.

3. Lorsque le four s'arrête, l'écran affiche le numéro de l'instruction sur la fiche de recette.



Suivre les instructions de la fiche de recette. Appuyer sur la touche Start/Touch On.

4. À la fin de la cuisson, l'écran affiche le numéro de l'instruction sur la fiche de recette. Suivre les instructions de la fiche de recette.



## 15 MINUTE DINNERS (LA RECETTE DONNE 6 PORTIONS)

### 1. POULET EN SAUCE

- 1 Placer dans une casserole de 3 pintes/3l :
- |   |                               |       |
|---|-------------------------------|-------|
| 1 | cuillère à soupe d'huile      | 15 ml |
| ½ | lb de champignons, tranchés   | 250 g |
| 1 | oignon haché                  |       |
| 1 | cuillère à soupe d'ail émincé | 15 ml |
- Bien remuer et mettre le couvercle. Appuyer sur la touche **15 Minute Dinners**, sur le chiffre **1** pour sélectionner **POULET EN SAUCE**, puis sur la touche **Start/Touch On**.

- 2 Mélanger :
- |   |                                                              |       |
|---|--------------------------------------------------------------|-------|
| 8 | onces de fromage à la crème à faible teneur en gras, ramolli | 230 g |
| ¼ | tasse de lait                                                | 50 ml |

- Amalgamer au mélange de fromage :
- |   |                                                       |           |
|---|-------------------------------------------------------|-----------|
| 1 | sac (10 oz) de petits pois congelés                   | 1 (280 g) |
| 2 | tasses de poitrine de poulet cuit, en tranches minces | 500 ml    |

Sel et poivre au goût

Au moment de la pause, éliminer le liquide de cuisson des champignons, etc. Ajouter le mélange de fromage à la crème, de petits pois, et de poulet et bien mélanger. Remettre le couvercle. Appuyer sur la touche **Start/Touch On**.

- 3 À la fin de la cuisson, ajouter une tasse/250 ml de fromage Monterey Jack râpé.

Servez sur des pommes de terre au four ou des pâtes.

### 2. PORC HAWAIIEN

- 1 Placer dans une casserole de 3 pintes/3l :
- |   |                                                                                                      |       |
|---|------------------------------------------------------------------------------------------------------|-------|
| 1 | cuillère à soupe d'huile                                                                             |       |
| 1 | lb de filet de porc désossé, coupé en tranches de un pouce/2,5 cm, et assaisonné de sel et de poivre | 500 g |
- Bien remuer et mettre le couvercle. Appuyer sur la touche **15 Minute Dinners**, sur le chiffre **2** pour sélectionner **PORC HAWAIIEN**, puis sur la touche **Start/Touch On**.

- 2 Mélanger dans un grand bol :
- |   |                                           |        |
|---|-------------------------------------------|--------|
| 1 | tasse de pêches ou d'abricots en conserve | 250 ml |
| ¼ | tasse de sauce barbecue                   | 50 ml  |
| 2 | cuillères à soupe de sauce soya           | 30 ml  |
| 2 | cuillères à soupe de fécule de maïs       | 30 ml  |
| 1 | tasse d'oignon haché finement             | 250 ml |

À la pause, ajouter le mélange d'aliments en conserve et de sauce barbecue et bien mélanger. Remettre le couvercle. Appuyer sur la touche **Start/Touch On**.

- 3 À la pause, ajouter :
- |   |                                                                                 |           |
|---|---------------------------------------------------------------------------------|-----------|
| 1 | boîte de 8 oz de châtaignes d'eau en conserve, égouttées                        | 1 (230 g) |
| 1 | piment vert, dont on a retiré les graines et coupé en lanières de 2 pouces/5 cm |           |
| 1 | piment rouge, dont on a retiré les graines et coupé en lanières de 2 pouces/5cm |           |
| 1 | oz boîte d'ananas en conserve, en gros morceaux, égoutté                        | 1 (570 g) |

Remettre le couvercle. Appuyer sur la touche **Start/Touch On**.

- 4 Al final, revuelva nuevamente.

Servir sur du riz cuit.

# Cooking (Cuisson)

## 15 MINUTE DINNERS (LA RECETTE DONNE 6 PORTIONS)

### 3. CHILI FIESTA

**1** Placer dans une casserole de 3 pintes/3l :

1¼ lb de dinde hachée	600 g
½ tasse d'oignons en cubes	125 ml
½ tasse de piment rouge en cubes	125 ml

Défaire la dinde et ajouter l'oignon et le piment rouge. Couvrir. Appuyer sur la touche **15 Minute Dinners**, sur le chiffre **3** pour sélectionner CHILI FIESTA, puis sur la touche **Start/Touch On**.

**2** À la pause, égoutter et ajouter dans la casserole :

8 oz de sauce piquante épaisse	230 g
1 boîte de 11 oz de maïs mexicain, égoutté 1 (310 g)	
1 boîte de 15 oz de chili avec de fèves 1 (430 g)	
1 à 3 cuillères à thé de poudre de chili	5 à 15 ml

Bien mélanger. Remettre le couvercle. Appuyer sur la touche **Start/Touch On**.

**3** À la fin de la cuisson, remuer encore une fois.  
*Servir sur du riz cuit ou sur des nachos. Garnir avec 2 tasses/500 ml de fromage Monterey Jack ou cheddar râpé.*

### 4. SAUMON GLACÉ

**1** Mélanger :

¼ tasse de jus d'orange concentré	50 ml
2 cuillères à soupe de moutarde au miel	30 ml
1 cuillère à soupe de gingembre frais râpé ou	15 ml
2 cuillères à thé de gingembre moulu	10 ml

Déposer dans une casserole de verre de 7 po x 11 po/18 x 28 cm :

1½ lb de filet de saumon	700 g
--------------------------	-------

Répartir la moitié du mélange de jus d'orange sur le dessus du saumon. Recouvrir d'une pellicule plastique. Appuyer sur la touche **15 Minute Dinners**, sur le chiffre **4** pour sélectionner SAUMON GLACÉ, puis sur la touche **Start/Touch On**.

**2** À la pause, répartir autour du saumon :

3 tasses de pousses de brocoli	750 ml
1 piment rouge, tranché en lamelles	

Verser le reste du mélange de jus d'orange sur les légumes. Garnir avec 2 cuillères à soupe/30 ml de graines de sésame grillées. Remettre le couvercle. Appuyer sur la touche **Start/Touch On**.

**3** À la fin de la cuisson, laisser reposer, avec le couvercle, durant 3 à 5 minutes.

*Servir avec du riz au beurre, des pâtes ou des pommes de terre garnies de persil.*

### 5. HEALTHY FRITTATA

**1** Beurrer un plat à tarte de 9 pouces (23 cm). Y mettre :

½ livre de champignons émincés	
¾ de tasse d'oignon haché	
1 cuiller à soupe d'ail haché fin	
¼ de livre de saucisse fumée maigre débitée en morceaux	

Couvrir avec une feuille de plastique. Sélectionner **15 Minute Dinners** et le nombre **5** pour choisir HEALTHY FRITTATA, puis actionner **Start/Touch On**.

**2** À la pause, égoutter et réserver. Dans un bol moyen, verser et bien mélanger :

3 gros œufs
½ tasse de crème sure demi-écrémée
1 cuillère à soupe de moutarde de Dijon
½ cuillère à café de sel
1/8 de cuillère à café de poivre moulu

Ajouter et mélanger de nouveau :

½ La moitié d'un paquet de 10 onces d'épinards hachés surgelés (décongelés et asséchés par pression)
1 tasse de gruyère râpé

Verser en le répartissant le mélange du bol sur le fond de champignons/oignon/saucisse. Mélanger avec précautions. Ne pas couvrir cette fois. Remettre au four et actionner **Start/Touch On**.

**3** À la fin retirer du four et laisser reposer de 3 à 5 minutes.  
*Servir avec une salade verte et des rondelles de tomates pour un brunch.*

# Cooking (Cuisson)

## PRESET RECIPES (LA RECETTE DONNE 6 PORTIONS)

### 1. TORTILLA AU BOEUF

**1** Placer dans une casserole de 2 pintes/2l :  
1 lb de boeuf haché 500 g  
Défaire la viande et mettre le couvercle. Appuyer sur la touche **Preset Recipes**, sur le chiffre **1** pour sélectionner TORTILLA AU BOEUR, puis appuyer sur la touche **Start/Touch On**.

**2** À la pause, égoutter le gras et défaire la viande en petits morceaux. Ajouter à la casserole :

- 1 sac de 10 oz d'épinards congelés, 1 (280 g)  
hachés décongelés et bien égouttés
- 1½ tasse de sauce piquante 375 ml
- 1 à 3 cuillères à thé de poudre de chili 5 à 15 ml

Bien mélanger. Remettre le couvercle. Appuyer sur la touche **Start/Touch On**.

**3** À la fin de la cuisson, bien mélanger et déposer dans 8 tortillas de maïs chaudes. Garnir avec une tasse/250 ml de fromage cheddar râpé.

### 2. POULET MEXICAIN

**1** Placer par couches superposées dans une casserole de 3 pintes/3l :

- 2 tasses de riz à cuisson rapide 500 ml
- 1 tasse de sauce fajita préparée 250 ml  
mélangée avec ½ tasse de bouillon de poulet ou de consommé
- 2 sacs de 10 oz de légumes assaisonnés 2 (280 g)  
(oignon, piment, persil et céleri)
- 1 lb de poitrine de poulet désossée, 500 g  
découpée en fines lanières de 1 po/2,5 cm

Couvrir. Appuyer sur la touche **Preset Recipes**, sur le chiffre **2** pour sélectionner POULET MEXICAIN, puis sur la touche **Start/Touch On**.

**2** À la pause, bien mélanger et s'assurer que les lanières de poulet sont bien séparées et mélangées avec le riz et la sauce. Remettre le couvercle. Appuyer sur la touche **Start/Touch On**.

**3** À la fin de la cuisson, remuer de nouveau.  
*Servir avec des haricots verts parsemés de beurre et des tortillas grillées.*

### 3. SALADE ITALIENNE

**1** Pour faire cuire les pâtes : Placer dans une casserole de 3 pintes/3l :

- 6 tasses d'eau du robinet très chaude 1.5l

Couvrir. Appuyer sur la touche **Preset Recipes**, sur le chiffre **3** pour sélectionner SALADE ITALIENNE, puis sur la touche **Start/Touch On**.

**2** À la pause, ajouter :

- 8 oz de pâtes tricolores rotini ou fusilli 230 g
- 1 cuillère à thé d'huile à salade 5 ml

Ne pas couvrir. Appuyer sur la touche **Start/Touch On**.

**3** À la fin de la cuisson, égoutter les pâtes et les mettre de côté.

Pour faire cuire le poulet :

Placer dans une assiette à tarte graissée de 9 po/23 cm :

- 1 lb de poitrine de poulet désossée, 500 g  
découpée en fines lanières de 1 po/2,5 cm

Couvrir. Appuyer sur la touche **Start/Touch On**.

**4** À la pause, remuer et répartir les morceaux moins cuits sur le pourtour de l'assiette. Remettre le couvercle. Appuyer sur la touche **Start/Touch On**.

**5** Égoutter et mettre de côté. Pour faire la salade :

Déposer dans un grand bol :

- les rotinis ou fusillis cuits
- la poitrine de poulet cuite
- 2 tomates, découpées en huit morceaux
- ½ tasse d'olives noires tranchées 125 ml
- 1 tasse de fromage mozzarella, râpé 250 ml
- ¼ tasse d'oignon rouge, haché 50 ml
- ¾ à 1 tasse de vinaigrette de type 175 à 250 ml  
huile et vinaigre additionnée de pesto

Bien mélanger pour enrober tous les ingrédients.

*Servir immédiatement ou refroidir et servir plus tard. Délicieux lorsque servi avec de petits pains croustillants chauds.*



# Cooking (Cuisson)

## PRESET RECIPES (LA RECETTE DONNE 6 PORTIONS)

### 4. MACARONI AU THON

**1** Pour cuire les macaronis, mettre dans une casserole de 3 L :

6 tasses d'eau très chaude du robinet

Couvrir. Sélectionner **Preset Recipes** et le nombre **4** pour choisir TUNA MACARONI, puis actionner **Start/Touch On**.

**2** À la pause, y ajouter :

2 tasses de coudes de macaroni

1 cuillère à café d'huile de table

Ne pas couvrir. Actionner **Start/Touch On**.

**3** À la fin, égoutter les macaronis et les garder dans la casserole.

Mélanger dans un bol :

1 boîte de soupe crème de céleri

½ tasse de lait

½ tasse de crème sure demi-écrémée

Ajouter aux macaronis de la casserole :

le mélange soupe/lait/crème sure

1 boîte de 6,5 onces de thon blanc au naturel, égoutté et émietté

1 tasse de petits pois surgelés

1 tasse de fromage cheddar râpé

Sel et poivre suivant le goût

Bien mélanger le tout. Couvrir et actionner **Start/Touch On**.

**4** À la fin mélanger de nouveau.

*Servir avec des bâtonnets de carotte fraîche, une salade verte et des petits pains.*

### 5. MÉLANGE DU JARDIN

**1** Mettre dans une casserole de 2,5 L :

1 livre de pommes de terre pelées, coupées en 8 puis finement tranchées

1 boîte de 14,5 onces de tomate en dés

2 cuillère à café d'ail haché fin

1 cuillère à café de thym

Couvrir. Sélectionner **Preset Recipes**, et le nombre **5** pour choisir GARDEN MEDLEY puis actionner **Start/Touch On**.

**2** À la pause, bien mélanger puis y ajouter :

1 paquet assortiment de légumes surgelés à sauter

2 tasses de fines tranches de courgette

Couvrir à nouveau et actionner **Start/Touch On**.

**3** À la fin, dresser et saupoudrer de 4 onces de fromage cheddar râpé.

*Servir avec une salade de petites feuilles d'épinards et du melon bien frais.*

# Cooking (Cuisson)

## DEFROST (DÉCONGÉLATION)

La fonction Defrost sert à décongeler automatiquement tous les aliments qui figurent dans les tableaux Super Defrost ou Compu Defrost.

### Grande Décongélation (Super Defrost)

Le mode Super Defrost décongèle rapidement les aliments et les poids spécifiés dans le tableau Super Defrost (numéros 1 à 3). Pour ces sélections il n'est pas nécessaire d'entrer le poids.

- Supposons que vous voulez décongeler 1 livre (0,45 kg) de volaille désossée.

MARCHE À SUIVRE	AFFICHEUR
1. Appuyer sur la touche Defrost.	SEE LABEL SELECT FOOD NUMBER
2. Appuyer sur la touche numérique 2 pour choisir la volaille désossée. Appuyer sur la touche Start/Touch On.	1.0 POUND BONELESS CHICKEN PRESS START

MARCHE À SUIVRE	AFFICHEUR
3. Le four s'arrêtera afin que les aliments soient vérifiés. L'afficheur indiquera: Appuyer sur la touche Start/Touch On.	TURN OVER SEPARATE INTO PIECES
4. À la fin de la décongélation, suivez les instructions.	LET STAND 3-5 MINUTES

#### Remarques :

1. Pour décongeler d'autres aliments dont les poids sont supérieurs ou inférieurs à ceux qui sont indiqués dans les tableaux Super Defrost et Compu Defrost, utiliser la puissance 30% et préciser le temps. Se reporter à la page 14 «Décongélation manuelle».
2. Les réglages du Defrost Center peuvent être programmés selon une équivalence de temps supérieure ou inférieure. Appuyer une ou deux fois sur la touche Power Level avant d'appuyer sur la touche Start/Touch On.
3. Appuyer sur la touche Help lorsque le témoin HELP est éclairé.
4. Si on tente d'indiquer une quantité supérieure ou inférieure aux quantités indiquées dans le tableau suivant, un message d'erreur s'affiche.

## TABLEAU GRANDE DÉCONGÉLATION

ALIMENT	QUANTITÉ	MARCHE À SUIVRE
1. Ground Meat (Viande hachée)*	1,0 lb (0,45 kg)	À la pause, retourner la viande, retirer toute partie décongelée et couper le reste en morceaux. Après la cuisson, couvrir et laisser reposer 3 à 5 minutes.
2. Boneless Chicken (Poulet désossé)*	1,0 lb (0,45 kg)	À la pause, retourner le poulet et le séparer en morceaux. Après la cuisson, couvrir et laisser reposer 3 à 5 minutes.
3. Bone-in Chicken Pieces (Morceaux de poulet avec os)*	2,0 lb (0,9 kg)	À la pause, retourner le poulet et le séparer en morceaux. Après la cuisson, couvrir et laisser reposer 3 à 5 minutes.

\* Il n'est pas nécessaire d'entrer le nombre.

#### Remarque pour Super Defrost:

Le programme Super Defrost décongèle juste assez pour que les aliments puissent être utilisés dans une recette ou pour la cuisson. Il restera quelques cristaux de glace.

# Cooking (Cuisson)

## AUTO DÉCONGÉLATION

- Supposons que vous voulez décongeler un steak de 2 lb à l'aide de Auto Defrost.

MARCHE À SUIVRE	AFFICHEUR
1. Appuyer sur la touche Defrost.	SEE LABEL SELECT FOOD NUMBER
2. Sélectionner le réglage désiré dans Defrost en appuyant sur la touche numérique. (Par exemple, appuyer sur le chiffre 5 pour choisir le steak.)	STEAKS CHOPS OR FISH ENTER WEIGHT IN POUNDS
Entrer le poids. (Par exemple, appuyer sur les chiffres 2 et 0 pour indiquer 2,0 lb.) Appuyer sur la touche Start/Touch On.	2.0 POUNDS PRESS START

MARCHE À SUIVRE	AFFICHEUR
3. Le four cesse de fonctionner pour permettre que les aliments puissent être vérifiés. L'afficheur indique:	TURN FOOD OVER COVER EDGES
4. À la fin de la première étape, ouvrir la porte. Retourner le bifteck et protéger les parties chaudes. Refermer la porte. Appuyer sur la touche Start/Touch On.	
5. À la fin de la seconde étape, ouvrir la porte. Protéger les parties chaudes. Refermer la porte. Appuyer sur la touche Start/Touch On.	CHECK FOOD COVER EDGES
6. À la fin de la décongélation, couvrir et laisser reposer conformément au tableau Auto Defrost ci-dessous.	LET STAND COVERED

## TABLEAU AUTO DÉCONGÉLATION

ALIMENT	QUANTITÉ	MARCHE À SUIVRE
4. Ground meat (Viande hachée)	0,5 à 3,0 lb (0,3 à 1,3 kg)	Retirer les parties décongelées après chaque étape. À la fin de la décongélation, laisser reposer à couvert de 5 à 10 minutes.
5. Steaks/ Chops/Fish (Biftecks/côtelettes poisson)	0,5 à 4,0 lb (0,3 à 1,8 kg)	Après chaque étape du cycle de décongélation, changer la disposition des aliments et protéger les parties chaudes ou décongelées au moyen de bandes de papier d'aluminium. Retirer les morceaux presque entièrement décongelés. À la fin de la décongélation, laisser reposer à couvert de 10 à 20 minutes.
6. Chicken Pieces (Morceaux de poulet)	0,5 à 3,0 lb (0,3 à 1,3 kg)	Après chaque étape du cycle de décongélation, changer la disposition et, si des morceaux sont chauds ou décongelés, les retirer. À la fin de la décongélation, laisser reposer à couvert de 10 à 20 minutes.
7. Roast (Rôti)	2,0 à 4,0 lb (0,9 à 1,8 kg)	Mettre les parties grasses en dessous. Après chaque étape de décongélation, retourner et protéger les parties chaudes au moyen de bandes de papier d'aluminium. À la fin de la décongélation, laisser reposer à couvert de 30 à 60 minutes.
8. Casserole/ Soupe	1 à 8 tasses	Si possible, remuer lorsque le four émet un signal sonore. À la fin de la décongélation, remuer soigneusement et laisser reposer à couvert de 5 à 10 minutes.

### Remarque Pour Auto Defrost :

Vérifier les aliments lorsque le four émet un signal sonore. Après la dernière étape, des petites portions peuvent être encore gelées. Laisser reposer de manière à ce que la décongélation se poursuive. Ne pas décongeler jusqu'à ce que tous les cristaux de glace soient fondus.

Protéger les grosses pièces de viande est une bonne technique car on évite la cuisson partielle alors que le cœur est encore congelé. Utiliser des bandes de papier d'aluminium pour protéger les bords et les parties minces des pièces à décongeler.

# Cooking (Cuisson)

## BEVERAGES (BOISSONS)

La fonction Beverages permet de réchauffer le café ou le thé ou de faire du café ou du thé instantané.

- Par exemple, pour réchauffer 2 tasses de café.

MARCHE À SUIVRE	AFFICHEUR						
1. Touch Beverages pad.	<table border="1"><tr><td>SEE LABEL</td><td>SELECT FOOD</td></tr><tr><td colspan="2">NUMBER</td></tr></table>	SEE LABEL	SELECT FOOD	NUMBER			
SEE LABEL	SELECT FOOD						
NUMBER							
2. Sélectionner le réglage Beverages voulu en actionnant la touche du numéro correspondant (par exemple la touche numéro 2 pour café réchauffé).  Entrer ensuite la quantité en actionnant la même touche de numéro 2 plusieurs fois (par exemple actionner la touche 2 quatre fois).	<table border="1"><tr><td>REHEAT</td><td>CONTINUE</td></tr><tr><td>PRESSING 2</td><td>FOR CUPS</td></tr><tr><td>2 CUPS</td><td>PRESS START</td></tr></table>	REHEAT	CONTINUE	PRESSING 2	FOR CUPS	2 CUPS	PRESS START
REHEAT	CONTINUE						
PRESSING 2	FOR CUPS						
2 CUPS	PRESS START						
3. Appuyer sur la touche Start/Touch On.							

### Remarques :

1. La durée de cuisson commandée par Beverages peut être modifiée. Appuyer une ou deux fois sur la touche Power Level après avoir choisi la valeur. Se reporter à la page 27.
2. Pour obtenir des conseils, appuyer sur la touche Help lorsque l'indicateur HELP est affiché.
3. Si on tente de préciser un poids supérieur ou inférieur aux limites permises, un message d'erreur s'affiche. Si la quantité d'aliments est inférieure ou supérieure à celle du tableau, on doit tenir compte des conseils fournis dans un livre de cuisine pour four à micro-ondes.

## TABLEAU DE BEVERAGES

ALIMENT	QUANTITÉ	MARCHE À SUIVRE
1. To Make Coffee or Tea (Faire du café/thé)	1 à 4 tasses	Utiliser ce réglage pour chauffer de L'EAU DU ROBINET à une température approchant le point d'ébullition pour faire du café ou du thé instantané. Appuyer sur la touche 1 pour une augmentation de 1 tasse par pression. Bien remuer le liquide avant et après le réchauffage pour éviter une «éruption».
2. To Reheat Beverage (Réchauffage)	0,5 à 2 tasses	Ce réglage convient pour réchauffer une boisson qui s'est refroidie. Appuyer sur la touche 2 pour une augmentation d'une demi-tasse par pression. Remuer après le réchauffage.

# Autres particularités pratiques

## MAINTIEN AU CHAUD (WARM/HOLD)

Warm/Hold vous permet de conserver les aliments au chaud jusqu'à 30 minutes.

Pour l'utiliser, actionner simplement la touche Warm/Hold et entrer la durée voulue en minutes (jusqu'à 30). Vous pouvez également programmer Warm/Hold avec le mode de cuisson manuel pour conserver les aliments chauds après leur temps de cuisson.

### UTILISATION SIMPLE

- Supposons que l'on veuille garder une tasse de soupe chaude durant 15 minutes.
1. Appuyer sur la touche Hold/Warm.
  2. Appuyer sur la touche Start/Touch On.

Le four se met automatiquement en marche. L'indication 15:00 s'affiche et le compte à rebours commence. Toutes les dix secondes, l'indication **GARDER CHAUD** apparaît.

### AVEC PROGRAMMATION MANUELLE

- Supposons que l'on veuille cuire une tasse de soupe pendant 2 minutes à 70% et la garder au chaud durant 15 minutes.
1. Préciser le temps de cuisson.
  2. Appuyer sur la touche Power Level quatre fois pour choisir le niveau de puissance 70%.
  3. Appuyer sur la touche Hold/Warm. Entrer le temps de maintien au chaud désiré.
  4. Appuyer sur la touche Start/Touch On.

Le four se met en marche. Une fois la période de cuisson terminée, un signal sonore prolongé se fait entendre et le programme de maintien au chaud prend le relais. L'indication **GARDER CHAUD** apparaît toutes les dix secondes au fil du compte à rebours de 15 minutes.

### Remarques :

Warm/Hold ne peut pas être programmé avec les fonctions **OPTIONS CAPTEURS (SENSOR OPTIONS)** ou **CUISSON (COOKING)**.

## SÉQUENCE DE CUISSON MULTIPLE

Le four peut être programmé pour 4 séquences automatiques de cuisson, passant d'un niveau de puissance à un autre automatiquement.

Parfois, les conseils de cuisson suggèrent de commencer à un certain niveau de puissance et de poursuivre à un autre niveau. Ce four peut être programmé pour cela.

- Supposons que l'on veuille cuire un rosbif pendant 5 minutes à 100 % puis pendant 30 minutes à 50 %.
4. Tout d'abord, préciser le temps de cuisson. Puis appuyer sur la touche Power Level pour choisir le niveau 100 %.

5. Préciser ensuite la durée de la seconde séquence. Appuyer six fois sur la touche Power Level pour choisir le niveau 50%.

6. Appuyer sur la touche Start/Touch On.

### Remarques :

1. Si le niveau 100 % doit être utilisé au cours de la dernière séquence, il n'est pas nécessaire d'appuyer sur la touche Power Level.
2. Pour connaître le niveau de puissance utilisé, appuyer un doigt sur la touche Power Level. Le niveau de puissance est indiqué aussi longtemps que l'on appuie sur la touche.
3. Maintien au Chaud utiliser conjointement si 4 séquence de cuisson.

## RÉGLAGE DES TEMPS DE CUISSON

Si on préfère accroître le réglage Sensor Cooking, CompuDefrost, Beverage Center ou CompuCook, d'appuyer sur la touche Power Level une fois appuyer sur la touche Start/Touch On. L'affichage indique **RDRE**.

Si on préfère diminuer le réglage Sensor Cooking, CompuDefrost, Beverage Center ou CompuCook, appuyer sur la touche Power Level deux fois avant d'appuyer sur la touche Start/Touch On. L'affichage indique **LESS**.

## HELP (AIDE [CONTROL PAD])

La touche Help facilite l'emploi du four en permettant l'affichage d'instructions pour 5 fonctions.

### 1. VERROUILLAGE DE SÉCURITÉ

Le verrouillage de sécurité vise à empêcher que le four soit utilisé par de jeunes enfants. Le four peut être réglé de telle sorte que le tableau de commande est inopérant ou verrouillé. Pour le réglage, appuyer sur la touche Help, le chiffre 1 et la touche Start/Touch On. Si on appuie sur une touche, l'affichage indique **VERROU ENFANT**. Pour annuler, appuyer sur Help et Stop/Clear.

### 2. SUPPRESSION DU SIGNAL SONORE

Si on désire que le four n'émette pas de signal sonore pendant son fonctionnement, appuyer sur la touche Help, la touche 2 et la touche Stop/Clear.

Pour rétablir l'émission du signal sonore, appuyer sur la touche Help, la touche 2 et la touche Start/Touch On.

### 3. DÉMARRAGE AUTOMATIQUE

Si on désire programmer le four de façon à ce qu'il commence la cuisson à une heure précise, procéder comme suit :

- Supposons que l'on veuille commencer la cuisson d'un ragoût à 4:30 au niveau 50 %, pendant 20 minutes. Avant tout, s'assurer que l'horloge indique l'heure exacte.

# Autres particularités pratiques

1. Appuyer sur la touche Help.
2. Appuyer sur le chiffre 3.
3. To enter the start time at 4:30, touch numbers 4, 3 and 0.
4. Touch Timer/Clock pad.
5. To enter cooking program, touch numbers 2, 0, 0, and 0 for cooking time and then touch Power Level pad 6 times.
6. Appuyer sur la touche Start/Touch On.

## Remarques :

1. Si l'horloge est correctement réglée, le démarrage automatique peut être utilisé pour le fonctionnement manuel.
2. Si on ouvre la porte du four après avoir programmé un démarrage automatique, il faut à nouveau appuyer sur la touche Start/Touch On de manière à afficher l'heure à laquelle doit commencer la cuisson, faute de quoi celle-ci ne débutera pas à l'heure prévue.
3. S'assurer que les aliments peuvent être conservés sans risque dans le four jusqu'à l'heure de leur cuisson. Les courges et potirons font partie de ceux-là.
4. Pour connaître l'heure, appuyer sur la touche Timer/Clock. L'heure est affichée aussi longtemps que l'on maintient la pression d'un doigt sur cette touche.

## 4. CHOIX DE LA LANGUE ET DES UNITÉS DE POIDS

Par défaut, ce four affiche les messages et les unités de poids en anglais. Pour changer cela, appuyer sur la touche Help et sur la touche 4 autant de fois qu'il est nécessaire pour obtenir la langue et le système d'unités souhaité. Enfin, appuyer sur la touche Start/Touch On.

Appuyer sur la touche 4 pour choisir la langue et le système d'unités.

NOMBRE DE PRESSIONS SUR 4	LANGUE	UNITÉ DE POIDS AFFICHÉE	AFFICHEUR
Une fois	Anglais	Livre	ENGLISH LB
Deux fois	Anglais	Kilo	ENGLISH KG
3 fois	Espagnol	Livre	ESPANOL LB
4 fois	Espagnol	Kilo	ESPANOL KG
5 fois	Français	Livre	FRANCAIS LB
6 fois	Français	Kilo	FRANCAIS KG

## 5. CLOCK ON/OFF (HORLOGE MARCHÉ/ARRÊT)

Si vous voulez enlever l'affichage de l'heure, actionnez Help, puis les touches numéro 5 et Stop/Clear.

Pour annuler et relancer l'affichage de l'heure, actionnez Help, puis les touches numéro 5 et Start/Touch On. Touche de puissance maximale (Touch On).

## TOUCH ON

Touch On permet de cuire à puissance maximale (100 %) aussi longtemps que l'on maintient la pression d'un doigt sur la touche Start/Touch On. Touch On est parfait pour faire fondre du fromage, porter du lait à une température tout juste inférieure à la température d'ébullition, etc. La durée maximale d'utilisation est de 3 minutes.

- Supposons que l'on veuille faire fondre un morceau de fromage sur une tranche de pain.

1. Maintenir la pression d'un doigt sur la touche Start/Touch On. La durée s'affiche.
2. Lorsque le fromage a atteint l'onctuosité désirée, relâcher la pression du doigt sur la touche Start/Touch On. Le four cesse immédiatement de fonctionner.

## Remarques :

1. Noter les temps nécessaires concernant à diverses opérations fréquentes et les programmer pour une utilisation future.
2. La touche Start/Touch On n'a d'effet que au cours de la minute qui suit une cuisson, l'ouverture et la fermeture de la porte ou une pression sur la touche Stop/Clear.
3. La touche Touch On ne peut être utilisée que trois fois de suite. Il faut ensuite ouvrir et fermer la porte du four ou appuyer sur la touche Stop/Clear, pour augmenter le temps de cuisson.

## TIMER (MINUTERIE)

- Supposons que l'on désire minuter un appel interurbain dont la durée ne doit pas dépasser 3 minutes.

MARCHE À SUIVRE	AFFICHEUR						
1. Appuyer sur la touche Timer/Clock.	<table border="1"> <tr> <td>TO SET</td> <td>KITCHEN TIMER</td> </tr> <tr> <td>PRESS 1</td> <td>TO SET CLOCK</td> </tr> <tr> <td colspan="2">PRESS 2</td> </tr> </table>	TO SET	KITCHEN TIMER	PRESS 1	TO SET CLOCK	PRESS 2	
TO SET	KITCHEN TIMER						
PRESS 1	TO SET CLOCK						
PRESS 2							
2. Appuyer le chiffre 1.	<table border="1"> <tr> <td>ENTER TIME</td> </tr> </table>	ENTER TIME					
ENTER TIME							
3. Préciser la durée. Appuyer sur la touche Timer/Clock. La minuterie (Timer) comptera à rebours.	<table border="1"> <tr> <td>3:00 TIMER</td> <td>PRESS TIMER</td> </tr> </table>	3:00 TIMER	PRESS TIMER				
3:00 TIMER	PRESS TIMER						

## Autres particularités pratiques

- À la fin du cycle de la minuterie (Timer), l'afficheur indiquera le message suivant.



### Remarques :

Pour annuler la minuterie durant la programmation, actionner la touche Stop/Clear.

## HELP (AIDE - INDICATION À L’AFFICHAGE)

Chaque réglage de SENSOR OPTIONS et More From Your Microwave comporte un conseil de cuisson. Pour en prendre connaissance, appuyer sur la touche Help lorsque l’indication HELP apparaît sur l’affichage interactif pour ces conseils.

## MODE DE DÉMONSTRATION

La démonstration du fonctionnement du four s’obtient en appuyant sur la touche Timer/Clock, la touche 0 et la touche Start/Touch On pendant 3 secondes. L’indication DEMO EN MARCHE PENDANT DEMO PAS DE PUISS s’affiche. Les différents modes de cuisson et les particularités du four peuvent alors être étudiés sans qu’aucune puissance ne soit utilisée. Par exemple, en appuyant sur Add-A-Minute, on affiche 1:00 et on provoque un compte à rebours rapide jusqu’à FIN.

Pour annuler, appuyer sur la touche Timer/Clock, puis sur le chiffre 0 et Stop/Clear. Si cela est plus facile, débrancher le four de la prise électrique et le rebrancher.

## ADD-A-MINUTE (AJOUT D’UNE MINUTE DE CUISSON)

La touche Add-A-Minute permet de commander une cuisson d’une durée d’une minute au niveau 100 %. Au cours du fonctionnement manuel, il est possible d’augmenter la durée de cuisson par incrément de 1 minute en appuyant sur cette touche autant de fois qu’il est nécessaire.

- Supposons que l’on veuille réchauffer une tasse de soupe pendant une minute.

Appuyer sur la touche Add-A-Minute.

### Remarques :

- La touche Add-A-Minute n’a d’effet que pendant la cuisson ou que dans la minute suivant une cuisson, l’ouverture et la fermeture de la porte, et la pression sur la touche Stop/Clear.
- Add-A-Minute ne peut pas être utilisé avec SENSOR OPTIONS, COOKING ni Warm/Hold.

# Nettoyage et entretien

**Débrancher le cordon secteur avant de nettoyer, ou laisser la porte ouverte pour inactiver le four micro-ondes durant son nettoyage.**

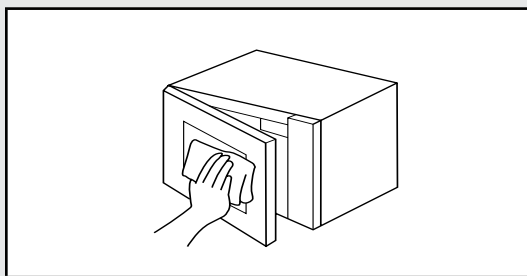
## EXTÉRIEUR

La surface extérieure est recouverte d'une couche de peinture. Nettoyer la surface extérieure à l'eau et au savon; rincer et sécher au moyen d'un chiffon doux. Ne pas utiliser de produits chimiques de nettoyage ou de produits abrasifs.

## PORTE

Essuyer les deux surfaces du hublot à l'aide d'un chiffon humide pour enlever les éclaboussures. Il est plus facile de nettoyer les parties métalliques si on les essuie fréquemment avec un chiffon humide. Éviter tout emploi de produits nettoyants vaporisés ou abrasifs car ils peuvent tacher, strier ou ternir la surface de la porte.

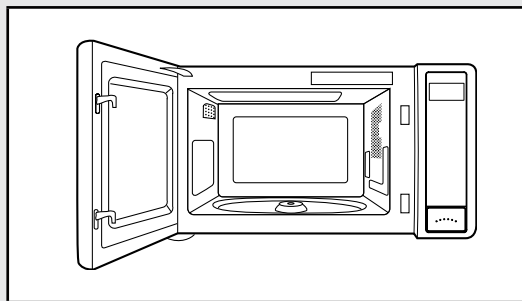
Les nettoyants qui sont conçus spécialement pour être utilisés avec l'acier inoxydable peuvent être utilisés. Suivre à la lettre les instructions sur l'emballage. Éviter d'utiliser un nettoyant abrasif ou un nettoyant qui n'est pas conçu spécialement pour être utilisé avec l'acier inoxydable étant donné que cela peut tacher, strier ou ternir la surface de la porte.



Nettoyer le tableau de commandes avec soin. Ouvrir la porte du four avant de le nettoyer. Essuyer le tableau de commande avec un chiffon humecté d'eau. Sécher avec un chiffon doux. N'utiliser ni poudre à récurer ni produits chimiques de nettoyage. Refermer la porte et appuyer sur la touche Stop/Clear.

## INTÉRIEUR

Le nettoyage est facile car les parois intérieures n'absorbent qu'une faible quantité de chaleur de telle sorte que les éclaboussures ne cuisent pas. Pour nettoyer les parois intérieures, utiliser un chiffon doux et de l'eau tiède. **NE PAS UTILISER UN PRODUIT ABRASIF OU UN TAMPON À RÉCURER.** Pour les taches tenaces, utiliser du bicarbonate de sodium ou un savon doux. Bien rincer à l'eau chaude. **NE JAMAIS VAPORISER DE PRODUIT À NETTOYER LES FOURS DIRECTEMENT SUR L'UNE OU L'AUTRE PARTIE DE VOTRE FOUR À MICRO-ONDES.**



## COUVERCLE DU GUIDE D'ONDES

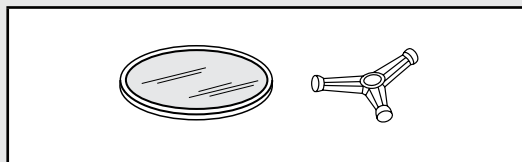
Le couvercle du guide d'ondes est en mica et nécessite donc une attention spéciale. Maintenir le couvercle du guide d'ondes propre pour assurer un bon fonctionnement du four. Essuyer immédiatement et délicatement avec un chiffon humide toute éclaboussure d'aliments sur la surface du couvercle. Une accumulation d'éclaboussures peut surchauffer et causer de la fumée ou même s'enflammer. Ne pas retirer le couvercle du guide d'ondes.

## DÉSODORISATION

Il peut arriver qu'une odeur persiste dans le four. Pour l'éliminer, mettre dans un récipient pouvant contenir 2 tasses, 1 tasse d'eau, le zeste d'un citron, le jus du citron et plusieurs clous de girofle entiers. Faire bouillir pendant plusieurs minutes à 100%. Conserver ce récipient dans le four jusqu'à ce qu'il soit froid. Essuyer l'intérieur du four avec un chiffon doux.

## PLATEAU TOURNANT ET SUPPORT DE PLATEAU TOURNANT

Le plateau tournant et son support peuvent être retirés pour faciliter le nettoyage. Les laver dans une eau douce savonneuse; pour les taches tenaces, utiliser un nettoyant doux et une éponge à récurer tel que décrit ci-dessus. Ces pièces peuvent être mises dans un lave-vaisselle. Les placer sur le plateau supérieur. L'arbre du moteur du plateau tournant n'est pas scellé et il faut donc essuyer immédiatement tout surplus d'eau ou déversement.





# Fiche technique

Tension d'alimentation :	Monophasé 120 V, 60 Hz, courant alternatif seulement
Alimentation requise :	1 500 W 13,0 A
Puissance micro-ondes de sortie :*	1 100 W*
Fréquence :	2 450 MHz
Dimensions extérieures :	24 (W) x 13 <sup>3</sup> / <sub>8</sub> (H) x 19 <sup>1</sup> / <sub>4</sub> (D) po
Dimensions de la cavité :	17 <sup>3</sup> / <sub>8</sub> (W) x 10 <sup>1</sup> / <sub>2</sub> (H) x 18 <sup>5</sup> / <sub>8</sub> (D) po
Capacité du four :**	2,0 pi <sup>3</sup> (56,6 l)
Uniformité de cuisson :	Plateau tournant
Poids :	Environ 46 lb (20,9 kg)

\* Méthode normalisée de la Commission électrotechnique internationale pour la mesure de puissance débitée. Cette méthode de mesure est largement reconnue.

\*\* La capacité intérieure est calculée en mesurant la largeur maximale, la profondeur maximale et la hauteur maximale et en multipliant ces mesures. La contenance réelle est inférieure au résultat obtenu.

Cumple con las normas establecidas por:

FCC – Federal Communications Commission

DHHS – Conforme au règlement CFR Title 21 chapitre I section J du Department of Health and Human Services (DHHS).



– Ce symbole sur la plaque signalétique signifie que le produit est homologué par Underwriters Laboratories, Inc. pour utilisation aux États-Unis ou au Canada.

NHW – Département National Health et de la protection sociale Canada

Ce four est répertorié par la Canadian Standard Association, tel qu'il est certifié.

# Appel de service

Vérifier ce qui suit avant de faire appel à un réparateur :

Placer une tasse d'eau dans un verre gradué dans le four et bien fermer la porte. Faire fonctionner le four pendant 1 minute à puissance ÉLEVÉE 100%.

- A Est-ce que la lumière du four est allumée?  
OUI \_\_\_\_\_ NON \_\_\_\_\_
- B Est-ce que le ventilateur de cuisson fonctionne?  
(Placer sa main sur l'évent à lame à l'arrière du four.)  
OUI \_\_\_\_\_ NON \_\_\_\_\_
- C Est-ce que le plateau tournant tourne?  
(Il est normal pour le plateau de tourner dans un sens ou dans l'autre.)  
OUI \_\_\_\_\_ NON \_\_\_\_\_
- D Est-ce que l'eau est chaude?  
OUI \_\_\_\_\_ NON \_\_\_\_\_

Si la réponse à l'une ou l'autre de ces questions est NON, vérifier la prise électrique, le fusible ou le disjoncteur. S'ils fonctionnent convenablement, COMMUNIQUER AVEC LE RÉPARATEUR AUTORISÉ LE PLUS PROCHE.

Il ne faut jamais réparer un four à micro-ondes soi-même.

**Remarque :**

Si le temps qui apparaît dans l'affichage diminue très rapidement, vérifier le MODE DE DÉMONSTRATION à la page 29 et annuler.

# Garantie du four micro-ondes

## DEUX ANS DE GARANTIE COMPLÈTE

Les fours micro-ondes et toutes leurs pièces constituant et accessoires, sauf les parties listées ci-dessous \*, sont garantis être exempts de défauts dus aux matériaux ou à la main d'œuvre pour un fonctionnement normal pendant une période de deux (2) ans à partir de la date d'achat chez le revendeur. Viking Range, LLC, le garant, accepte de réparer ou remplacer, à son choix, toute partie qui tombe en panne ou qui est trouvée défectueuse durant la période de garantie.

\* Les parties en verre (y compris les ampoules d'éclairage), peintes et décoratives, sont garanties être exemptes de défauts dus aux matériaux ou à la main d'œuvre pour un fonctionnement ménager normal pendant une période réduite de quatre-vingt-dix (90) jours à partir de la date d'achat chez le revendeur. **TOUT DÉFAUT DOIT ÊTRE SIGNALÉ AU REVENDEUR DANS LES QUATRE-VINGT-DIX (90) JOURS SUIVANT L'ACHAT CHEZ LUI.**

## GARANTIE LIMITÉE DE CINQ ANS

Tout tube magnétron qui tomberait en panne suite à un défaut d'origine matériel ou de main d'œuvre, dans des conditions d'utilisation normales, de la seconde année à la cinquième année suivant sa date d'achat d'origine, sera réparé ou remplacé gratuitement pour le coût de la pièce elle-même, le propriétaire payant tous les autres frais dont la main d'œuvre.

Cette garantie est accordée au tout premier acheteur du produit garanti ici, et à tous acheteurs ultérieurs du produit pour la durée de cette garantie.

Cette garantie s'applique aux produits achetés et utilisés aux États-Unis et au Canada. Les produits doivent avoir été achetés dans le pays où le service sous garantie est demandé. La main d'œuvre du dépannage doit être fournie par une agence de service agréée ou un dépositaire de Viking Range, LLC. La garantie ne pourra pas s'appliquer pour des dommages résultant d'usage abusif, d'accident, de catastrophe naturelle, de perte d'alimentation électrique vers le produit pour n'importe quelle raison, de vandalisme, d'utilisation en extérieur, d'installation incorrecte, de mise en œuvre non appropriée, d'entretien ou réparation par quiconque non habilité par une agence de service agréée ou un dépositaire de Viking Range, LLC. Cette garantie ne s'applique pas pour un usage commercial du produit. Le garant n'est pas responsable pour les dommages consécutifs ou accessoires survenant en violation des devoirs ou du contrat ou des deux. Certaines juridictions ne permettent pas l'exclusion ou la limitation pour dommages consécutifs ou accessoires, de ce fait la limitation ou exclusion ci-dessus peut ne pas être applicable pour votre cas.

Le propriétaire sera seul responsable de la conformité de l'installation, de l'apport normal de l'attention et de l'entretien, et devra fournir la preuve de son achat sur demande et laisser l'équipement raisonnablement accessible pour sa réparation. Si le produit ou un de ses composants comporte un défaut ou présente une anomalie de fonctionnement pendant sa période de garantie, après un nombre raisonnable de tentatives de résolution du problème par le garant, le propriétaire est en droit de demander un remboursement ou un remplacement de produit ou de(s) pièce(s). L'engagement du garant pour toute réclamation de toute sorte concernant le produit concerné ici ne pourra pas excéder le prix d'achat du produit lui-même.

**RÉPARATION SOUS GARANTIE :** Suivant les termes de cette garantie, la réparation doit être effectuée par un agent ou représentant autorisé par l'usine Viking Range, LLC. La réparation sera assurée durant les horaires de travail normaux, tout supplément pour travail effectué en dépassement d'horaire ou période spéciale ne sera pas couvert par cette garantie. Pour obtenir une réparation sous garantie, contactez le revendeur chez qui vous avez acheté le produit, ou un agent de service autorisé par Viking Range, LLC, ou Viking Range, LLC directement. Vous devrez alors fournir l'indication de modèle, le numéro de série et la date d'achat de l'appareil. Pour obtenir le nom de l'agence de service agréée par Viking Range, LLC la plus proche de chez vous, appelez le revendeur chez qui vous avez acheté, ou le service clientèle de Viking Range, LLC. **IMPORTANT :** Gardez la preuve de votre achat d'origine pour la détermination de votre droit à la garantie. Le retour de la carte d'enregistrement d'utilisateur ne conditionne pas votre garantie. Cependant veuillez la retourner de façon à ce que Viking Range, LLC puisse vous contacter si un problème de sécurité apparaissait sur ce type de produit qui vous concernerait.

Toutes garanties implicites du caractère commercialisable ou de l'adéquation à un usage particulier pour les parties décrites précédemment sont limitées à la durée contractuelle de la garantie exprimée plus haut. Certaines juridictions ne permettent pas la limitation de durée pour les garanties implicites, de ce fait la limitation ci-dessus peut ne pas être applicable pour votre cas. Cette garantie vous donne des droits légaux spécifiques, et vous pouvez peut-être avoir d'autres droits, qui peuvent varier d'une juridiction à une autre.

Viking Range, LLC  
111 Front Street  
Greenwood, Mississippi (MS) 38930 USA (888) 845-4641

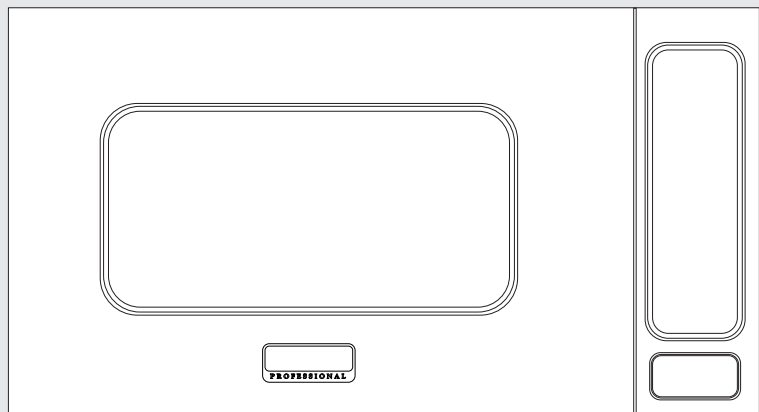
---

Spécifications susceptibles d'être modifiées sans préavis  
Pour plus d'informations, appelez 1-888-845-4641,  
ou branchez-vous sur le site Web à l'adresse [brigade.ca](http://brigade.ca)

Viking Range, LLC  
111 Front Street  
Greenwood, Mississippi 38930 USA  
(662) 455-1200

Pour plus d'informations produit  
appeler 1-888-845-4641  
ou visitez notre site Web  
à l'adresse [brigade.ca](http://brigade.ca)

# Instalación / Manual de Uso y Cuidado



Horno microondas empotrados /  
no empotrados  
VMOS201

# Información de servicio

Si se necesita servicio:

1. Llame a su agencia de servicio autorizada.
2. Debe tener disponible la siguiente información:
  - a. Número de modelo
  - b. Número de serie
  - c. Fecha de compra
  - d. Nombre del distribuidor al que le realizó la compra
3. Describa claramente el problema que tiene.

Si no puede obtener el nombre de una agencia de servicio autorizada o si continúa teniendo un problema de servicio, comuníquese con Viking Range, LLC (888) 845-4641 o escriba a:

VIKING RANGE, LLC  
PREFERRED SERVICE  
111 Front Street  
Greenwood, Mississippi (MS) 38930 USA

Coloque la información que se indica a continuación. Será necesaria si alguna vez requiere del servicio. El número de modelo y de serie de su horno microondas se encuentra en la etiqueta de identificación al lado izquierdo de la cavidad del horno microondas.

Número de modelo \_\_\_\_\_ Fecha de compra \_\_\_\_\_

Número de serie \_\_\_\_\_ Fecha de instalación \_\_\_\_\_

Nombre del distribuidor \_\_\_\_\_

Dirección \_\_\_\_\_

Si el servicio requiere de instalación de partes, use sólo las partes autorizadas  
para garantizar la protección bajo la garantía.

CONSERVE ESTE MANUAL PARA REFERENCIA FUTURA

# Tabla de contenido

<b>2 INFORMACIÓN DE SERVICIO</b>	<b>15-17 OPCIONES DEL SENSOR</b>
<b>3 TABLA DE CONTENIDO</b>	16-17 Tabla de opciones del sensor
<b>3 PRECAUCIONES PARA EVITAR POSIBLES EXPOSICIONES AL EXCESO DE ENERGÍA DEL MICROONDAS</b>	17 Tabla de alimentos congelados
<b>4 INSTRUCCIONES DE SEGURIDAD IMPORTANTES</b>	<b>18-26 COCCIÓN</b>
<b>5 DESEMBALAJE Y VERIFICACIÓN DE SU HORNO MICROONDAS</b>	18 Desayuno y Almuerzo
<b>6 ESCOGER UNA UBICACIÓN</b>	18 Tabla Desayuno
<b>7 INSTRUCCIONES PARA CONEXIÓN A TIERRA</b>	19 Tabla Almuerzo
<b>8-10 INFORMACIÓN QUE DEBE CONOCER</b>	20 Comidas en 15 minutos y Recetas preestablecidas
8 Sobre su horno microondas	20-21 Comidas en 15 minutos
8 Sobre los niños y el horno microondas	22-23 Recetas Preestablecidas
8 Sobre los alimentos	24 Descongelar
8 Sobre los utensilios y envolturas	26 Bebidas
9 Acerca de la cocción por microondas	<b>27-29 OTRAS CARACTERÍSTICAS CONVENIENTES</b>
9-10 Sobre seguridad	27 Calentar/Mantener
<b>11-12 NOMBRE DE LAS PARTES</b>	27 Cocción en secuencias múltiples
11 Partes del horno microondas	27 Mayor o menor ajuste de tiempo
12 Panel de control	27-28 Ayuda (Botón Control)
<b>13 ANTES DE OPERAR</b>	28 Tocar Conectar
13 Para fijar la hora	28 Temporizador
13 Selección del idioma/peso	29 Ayuda (Indicador de pantalla)
13 Parar/Borrar	29 Modo de demostración
<b>14 OPERACIÓN MANUAL</b>	29 Añada-Un-Minuto
14 Tiempo de cocción	<b>30 LIMPIEZA Y CUIDADO</b>
14 Para fijar el nivel de potencia	<b>31 ESPECIFICACIONES</b>
14 Descongelamiento manual	<b>32 REVISIÓN PARA SOLICITUD DE SERVICIO</b>
	<b>33 GARANTÍA DEL HORNO MICROONDAS</b>

## PRECAUCIONES PARA EVITAR POSIBLES EXPOSICIONES AL EXCESO DE ENERGÍA DEL MICROONDAS

- No trate de operar este horno con la puerta abierta ya que la operación puede provocar una exposición perjudicial a la energía del microondas. No altere o manipule indebidamente los interbloques de seguridad.
- No coloque ningún objeto entre la parte frontal del horno y la puerta ni deje que se acumule restos de limpiadores o suciedad en las superficies de sellado.
- No opere el microondas si tiene daños. Es muy importante que la puerta del horno se cierre correctamente y que no hayan daños en: (1) puerta (doblada), (2) bisagras y pestillos (dañados o sueltos), (3) sellos de la puerta y superficies de sellado.
- El horno sólo debe ser ajustado o reparado por el personal de servicio calificado apropiado.

# INSTRUCCIONES DE SEGURIDAD IMPORTANTES

Al usar artefactos eléctricos deben tomarse precauciones de seguridad básicas, incluyendo las siguientes:

**ADVERTENCIA** - Para reducir el riesgo de quemaduras, choque eléctrico, incendios, lesiones a personas o exposición al exceso de energía del microondas:

1. LEA TODAS LAS INSTRUCCIONES ANTES DE USAR EL ARTEFACTO.
2. Lea y siga la sección específica "PRECAUCIONES PARA EVITAR LA POSIBLE EXPOSICIÓN AL EXCESO DE ENERGÍA DEL MICROONDAS" en la página 3.
3. Este electrodoméstico debe ser conectado a tierra. Conéctela únicamente a un tomacorriente puesto a tierra adecuadamente. Vea "INSTRUCCIONES DE CONEXIÓN ELÉCTRICA A TIERRA" en la página 7.
4. Instale o coloque este artefacto sólo de acuerdo a las instrucciones de instalación proporcionadas.
5. Algunos productos como huevos enteros y recipientes sellados—por ejemplo, frascos de vidrio cerrados—pueden explotar y no deben ser calentados en este horno microondas.
6. Use este artefacto sólo para el uso destinado como se describe en este manual. No use productos químicos corrosivos ni vapores en este artefacto. Este tipo de horno microonda está diseñado específicamente para calentar, cocinar o deshidratar los alimentos. No está diseñado para uso industrial o de laboratorio.
7. Como cualquier artefacto, una supervisión adecuada es necesaria cuando lo usen los niños.
8. No haga funcionar este artefacto si el cable de energía o enchufe están dañados, si no funciona apropiadamente o si tiene daños o se ha caído.
9. Este artefacto debe recibir servicio sólo del personal de servicio calificado. Comuníquese con el Personal de servicio autorizado más cercano para una evaluación, reparación o ajuste.
10. No cubra ni bloquee ninguna ranura u orificio del artefacto.
11. No guarde ni use este artefacto en exteriores. No use este producto cerca del agua—por ejemplo, cerca del fregadero de la cocina, en un sótano húmedo, de piscinas o lugares similares.
12. No sumerja el cable de energía o enchufe en el agua.
13. Mantenga el cable alejado de superficies calientes.
14. No deje que el cable cuelgue sobre el borde de la mesa o mostrador.
15. Vea las instrucciones para limpiar la superficie de la puerta en la página 30.
16. Para reducir el riesgo de incendios en la cavidad del horno microondas:
  - a. No cocine demasiado los alimentos. Esté atento cuando se coloquen papeles, plástico o cualquier material combustible dentro del horno microondas para facilitar la cocción.
  - b. Retire los lazos de alambre de las bolsas de papel o plásticas antes de colocarlas en el horno.
  - c. **Si los materiales dentro del horno microondas empiezan a arder, mantenga cerrada la puerta del horno, apáguelo y desconecte el cable de alimentación o desconecte la energía en la caja de fusibles o en el panel del interruptor automático.**
  - d. No use la cavidad para almacenar objetos. No deje productos de papel, utensilios de cocina o alimentos en la cavidad cuando no lo use.
17. Los líquidos, como agua, café o té pueden sobrecalentarse más allá del punto de ebullición sin que pueda notarse que están hirviendo. No siempre habrá burbujas o vapor de ebullición visibles al retirar el recipiente del horno microondas. **ESTO PUEDE CAUSAR UN DERRAME IMPREVISTO DE LÍQUIDOS DEMASIADO CALIENTES AL INTRODUCIR UNA CUCHARA U OTRO UTENSILIO EN EL LÍQUIDO.**  
Para reducir el riesgo de lesiones a personas:
  - a. No sobrecaliente el líquido.
  - b. Revuelva el líquido antes y a la mitad del calentamiento.
  - c. No use un recipiente de paredes rectas y boca angosta. Use un recipiente de boca ancha.
  - d. Después de calentar, deje el recipiente en el horno microondas por lo menos 20 segundos antes de retirarlo.
  - e. Use extremo cuidado cuando coloque una cuchara u otro utensilio en el recipiente
18. Si el horno microondas va a ser empotrado, siga las siguientes instrucciones:
  - a. No debe montarse sobre un fregadero.
  - b. No almacene nada directamente encima de la superficie del artefacto cuando el artefacto se encuentre en operación.
19. Si la luz del horno microondas no funciona, consulte al PERSONAL DE SERVICIO AUTORIZADO.

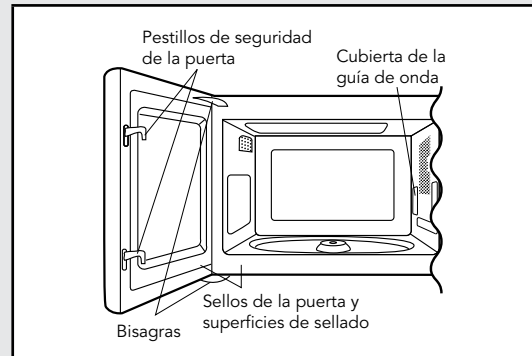
## GUARDE ESTAS INSTRUCCIONES



# Desembalaje y verificación de su horno microondas

Retire los materiales de empaque que están dentro de la cavidad del horno microondas; sin embargo, **NO RETIRE LA CUBIERTA DE LA GUÍA DE ONDA** que se encuentra en la pared derecha de la cavidad. Lea los anexos y **GUARDE** el Manual de instalación / uso y cuidado.

Revise que el horno no tenga daños como puertas torcidas o mal alineadas, sellos de puerta y superficies de sellado dañados, bisagras y pestillos rotos o flojos y abolladuras en la cavidad o en la puerta. Si encuentra algún daño, no opere el horno y comuníquese con su distribuidor o **PERSONAL DE SERVICIO AUTORIZADO**.



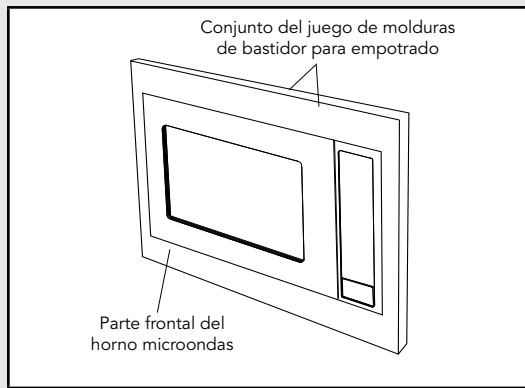
# Escoger una ubicación

## Elección de una ubicación para su horno microondas en el mostrador

Ya que usted usará el horno microondas con frecuencia debe elegir su ubicación para un fácil uso. Es prudente contar con un espacio en el mostrador al menos a uno de los lados del horno microondas. Mantenga al menos 2 pulgadas a los lados, parte superior y posterior del horno microondas para permitir la circulación de aire.

## Elección de una ubicación para su horno microondas empotrado

Su microondas puede ser construido en un gabinete o la pared por sí mismo o encima de horno eléctrico de pared o el calentamiento del cajón.



Vea las instrucciones de instalación del juego de molduras para empotrado para una ubicación correcta al realizar el empotrado encima de los hornos especificados. Siga atentamente ambas instrucciones de instalación del horno y del juego de molduras para empotrado.

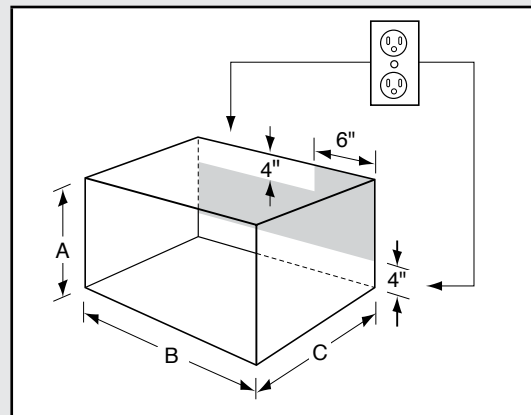
La abertura en la pared o gabinete debe estar dentro de las siguientes dimensiones:

- A ALTURA: 16 3/4" - 17"
- B ANCHO: 24 3/8" - 24 11/16"
- C PROFUNDIDAD: mínimo 20"



El tomacorriente NO debe estar en el área sombreada como se indica.

1. Si la dimensión de PROFUNDIDAD (C) es mayor a 21", la ubicación del tomacorriente puede estar en cualquier área de la pared posterior.
2. El piso de la abertura debe ser construido de madera laminada lo suficientemente resistente para soportar el peso del horno y la carga del piso (aproximadamente 100 libras). El piso debe estar nivelado para una correcta operación del horno. Asegúrese de verificar el código de construcción local ya que puede requerir cerrar la abertura con tabiques laterales, superior y posterior. El funcionamiento correcto del horno no requiere del cerrado con tabiques.



El juego de molduras para empotrado incluye todas las partes necesarias e instrucciones fáciles de seguir para su instalación, así como la ubicación del suministro de energía.

El ensamblaje fácil de estos juegos permitirá la instalación en una abertura de pared existente en menos de una hora (si el tomacorriente de energía se encuentra ubicado adecuadamente).

Sólo debe seguir 4 pasos y usar un destornillador Phillips.

# Instrucciones para conexión a tierra

Este electrodoméstico debe ser conectado a tierra. Este horno microondas está equipado con un cable que tiene un alambre de tierra y un enchufe con toma a tierra. Éste se debe conectar en un tomacorriente de pared instalado y conectado a tierra apropiadamente de acuerdo con el Código Eléctrico Nacional y los códigos y reglamentos locales. En caso que se produzca un cortocircuito eléctrico, la conexión a tierra reduce el riesgo de descarga eléctrica proporcionando una vía de escape para la corriente eléctrica.

**ADVERTENCIA** - El uso inapropiado del enchufe con conexión a tierra puede causar una descarga eléctrica.

## REQUISITOS ELÉCTRICOS

Los requisitos eléctricos son 120 voltios, 60 Hz, sólo CA, 15 amperios o más de suministro protegido de electricidad. Se recomienda un circuito por separado que sea sólo para este electrodoméstico.

El horno microondas está equipado con un enchufe con toma a tierra de tres clavijas. Éste se debe enchufar en un receptáculo de pared instalado y conectado a tierra apropiadamente. Si sólo tiene un tomacorriente de 2 clavijas, un electricista calificado debe realizar la instalación de un receptáculo de pared apropiado.

Puede adquirir un adaptador de 3 clavijas y usarlo temporalmente si los códigos locales lo permiten. Siga las instrucciones del empaque.

Un cable corto de suministro de energía viene incluido para prevenir enredarse o tropezar con un cable más largo.

## CABLE DE EXTENSIÓN

Si fuese necesario usar un cable de extensión, use sólo un cable de extensión de 3 alambres que tenga un enchufe con toma a tierra de 3 clavijas y un receptáculo de 3 muescas que se adapte al enchufe del horno microondas. La capacidad indicada del cable de extensión debe de ser de 115-120 voltios CA, 15 amperios o más.

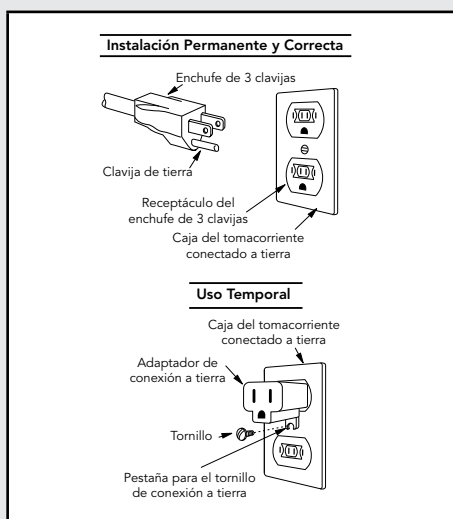
Debe tener cuidado de no colocar el cable sobre el mostrador o mesa de donde los niños podrían jalarlo o tropezarse con éste accidentalmente.

### Notas:

1. Si tiene alguna pregunta sobre las instrucciones eléctricas o de conexión a tierra, consulte a un electricista calificado o al encargado de brindar el servicio.
2. Viking Range, LLC y el distribuidor no aceptan ninguna responsabilidad por los daños al horno microondas o las lesiones personales causadas por no seguir los procedimientos de conexión eléctrica correctos.

## INTERFERENCIA DE RADIO O TELEVISIÓN

Si hay interferencia causada por el horno microondas en su radio o TV, revise que el horno tenga un circuito eléctrico distinto, aleje la radio o TV del horno microondas lo más que pueda o revise la posición y señal de la antena de recepción.



# Información que debe conocer

## **SOBRE SU HORNO MICROONDAS**

Este Manual de instalación / uso y cuidado es valioso: léalo detalladamente y guárdelo para futura referencia.

Un buen libro de cocina para microondas es muy útil. Consúltelo sobre principios, técnicas, sugerencias y recetas de cocina en microondas.

NUNCA use el horno microondas sin el plato giratorio ni el soporte ni dé vuelta al plato giratorio para colocar un plato grande en el horno. El plato giratorio girará en sentido horario y antihorario.

SIEMPRE coloque alimentos dentro del horno microondas durante su operación para que absorban la energía del microondas.

Al usar el horno microondas con niveles de potencia por debajo del 100%, usted podría escuchar que el magnetrón se enciende y apaga. Es normal que la parte exterior del horno microondas esté caliente al tacto cuando cocina o recalienta.

La condensación es una parte normal de la cocción con microondas. La humedad ambiental y la humedad en la comida influirán en la cantidad de humedad que se condense en el horno microondas. Generalmente, los alimentos cubiertos no producirán tanta condensación como los no cubiertos. Las ranuras de ventilación en la parte trasera del horno microondas no deben ser bloqueadas.

El uso del microondas se limita únicamente a la preparación de los alimentos. No debe usarse para secar ropa o periódicos.

Su horno microondas tiene una capacidad de 1,100 vatios clasificados con el Procedimiento de prueba IEC. Al seguir instrucciones de recetas o de productos envasados, verifique los alimentos uno o dos minutos antes del tiempo mínimo y aumente tiempo según corresponda.

## **SOBRE LOS NIÑOS Y EL HORNO MICROONDAS**

Los niños menores de 7 años deben usar el horno microondas bajo la supervisión cercana de un adulto. En el caso de los niños entre 7 y 12 años, la persona que los supervisa debe estar en la misma habitación.

El niño debe alcanzar el horno microondas de manera cómoda; en caso contrario, debe usar un banco firme.

No se debe permitir nunca que nadie se apoye o se cuelgue de la puerta del horno microondas.

Los niños deben conocer todas las precauciones de seguridad: usar agarraderas, retirar las cubiertas con cuidado, prestar mucha atención a los paquetes que

aprietan los alimentos, ya que podrían estar muy calientes.

No asuma que un niño/niña puede cocinar de todo sólo porque aprendió una técnica de cocción.

Los niños deben aprender que el horno microondas no es un juguete. Vea la página 27 para consultar la función de Bloqueo a prueba de niños.

## **SOBRE LOS UTENSILIOS Y ENVOLTURAS**

No es necesario comprar utensilios nuevos. Usted puede usar la mayoría de artículos de su cocina en su nuevo horno microondas. Asegúrese de que los utensilios no toquen las paredes internas durante la cocción.

### **USE ESTOS UTENSILIOS PARA UNA COCCIÓN Y UN RECALENTAMIENTO SEGUROS EN EL MICROONDAS:**

- vitrocerámica (Pyroceram®), como Corningware®.
- vidrio resistente al calor (Pyrex®)
- plásticos resistentes al microondas
- platos de papel
- cerámica para microondas, cerámica de gres y porcelana
- fuentes para dorar (sin exceder el tiempo de precalentamiento recomendado. Siga las instrucciones del fabricante.)

### **ESTOS ARTÍCULOS PUEDEN SER USADOS PARA UN CORTO TIEMPO DE RECALENTAMIENTO DE ALIMENTOS CON POCO CONTENIDO DE GRASA O AZÚCAR:**

- madera, paja, mimbre

### **NO UTILICE**

- sartenes de metal y fuentes para hornear
- platos con borde metálico
- vidrio no resistente al calor
- plásticos que no resistan las microondas (recipiente de margarina)
- productos de papel reciclado
- bolsas de papel marrón
- bolsas para almacenar alimentos sujetadores/amarres de metal

Si desea verificar si un plato es seguro para uso en el microondas, coloque el plato vacío en el horno microondas y hágalo funcionar durante 30 segundos en HIGH. Si el plato se calienta demasiado no debe ser usado.

### **LAS SIGUIENTES CUBIERTAS SON IDEALES:**

- Las toallas de papeles son ideales para cubrir los alimentos al recalentarlos y absorber la grasa al cocinar tocino.
- El papel encerado puede ser usado para cocinar y recalentar.
- La película plástica que está especialmente marcada para uso en microondas puede usarse para la cocción y recalentamiento. NO deje que

# Información que debe conocer

la película plástica toque los alimentos. Haga agujeros para que el vapor pueda salir.

- Las tapas que pueden usarse en el microondas son una buena opción ya que mantienen el calor de los alimentos para acelerar la cocción.
- Las bolsas para cocción en hornos microondas son apropiadas para piezas grandes de carne o alimentos que necesitan ablandarse. NO use sujetadores/amarres de alambre. Recuerde perforar la bolsa para que pueda salir el vapor.

## CÓMO USAR PAPEL ALUMINIO EN EL HORNO MICROONDAS:

- Pedazos planos pequeños de papel aluminio colocados ligeramente sobre los alimentos pueden ser útiles para proteger áreas que se estén descongelando o cocinando demasiado rápido.
- El papel aluminio no debe estar a menos de una pulgada de cualquier superficie del horno.

Si tiene preguntas acerca de los utensilios o envolturas, consulte un buen libro de cocina en microondas o siga las sugerencias de las recetas.

**ACCESORIOS** Existen muchos accesorios disponibles para microondas. Revise cuidadosamente antes de comprarlos para que satisfagan sus necesidades. Un termómetro para horno microondas le ayudará a determinar la cocción correcta y verificará que sus alimentos se hayan cocido a temperaturas seguras. Viking Range, LLC no es responsable de ningún daño al horno microondas causado por el uso de los accesorios.

## ACERCA DE LA COCCIÓN POR MICROONDAS

- Distribuya los alimentos con cuidado. Coloque las áreas más gruesas hacia la parte exterior del plato.
- Verifique el tiempo de cocción. Cocine durante el período de tiempo más corto indicado y aumente como sea necesario. Los alimentos que se cocinan demasiado pueden quemarse o encenderse.
- Cubra los alimentos durante su cocción. Consulte la receta o el libro de cocina para obtener sugerencias: Toallas de papel, papel encerado, película plástica para microondas o una tapa. Las cubiertas evitan derrames y permiten que los alimentos se cocinen de manera uniforme.
- Cubra las áreas delgadas de la carne o carne de ave con piezas pequeñas y planas de papel de aluminio para evitar que se cocinen demasiado antes de que las áreas más gruesas se cocinen por completo.
- Revuelva los alimentos desde afuera hacia adentro del plato una o dos veces durante la cocción, si es posible.
- Voltee los alimentos una vez durante la cocción en microondas para acelerar la cocción de alimentos como pollo y hamburguesas. Los alimentos grandes como

asados deben voltearse al menos una vez.

- Reacomode los alimentos como albóndigas a la mitad de la cocción desde la parte superior a la inferior y desde el centro del plato hacia el exterior.
- Deje un tiempo de espera. Retire los alimentos del horno microondas y revuélvalos, si es posible. Cubra durante el tiempo de espera, lo cual permite que los alimentos se terminen de cocinar sin recocerlos.
- Verifique la cocción. Verifique si hay señales que indiquen que se ha alcanzado la temperatura de cocción.

Las señales de cocción completa incluyen:

- Todo el alimento emana vapor, no sólo en los bordes.
- Temperatura muy caliente de la base central del plato al tacto.
- Fácil movimiento de las uniones de los muslos del ave.
- La carne y la carne de ave no presentan un color rosáceo.
- El pescado está opaco y se desmenuza fácilmente con un tenedor.

## ACERCA DE LA SEGURIDAD

- Verifique que la cocción de los alimentos se realice de acuerdo a las temperaturas recomendadas por el Departamento de Agricultura de los EE.UU.

Para verificar la cocción, introduzca un termómetro para carne en un área gruesa o densa lejos de la grasa y el hueso. NUNCA deje el termómetro en los alimentos durante la cocción, a menos que sea aprobado para uso en horno microondas.

TEMPERATURA	ALIMENTO
160°F (71°C)	...para platos con cerdo fresco, carne molida, carne blanca de ave deshuesada, pescado, mariscos, huevos y alimentos preparados congelados.
165°F (74°C)	...para sobranes, alimento refrigerado listo para recalentar y platos preparados y comida "lista" para llevar.
170°F (77°C)	...carne blanca de ave.
180°F (82°C)	...carne oscura de ave.

- SIEMPRE use una agarradera para prevenir quemaduras al manipular utensilios que están en contacto con los alimentos calientes. El calor de los alimentos puede transferirse a través de los utensilios causando quemaduras en la piel.
- Evite las quemaduras causadas por el vapor dirigiéndolo lejos de su rostro y manos. Levante lentamente el borde más alejado de la cubierta de un plato y abra con cuidado las bolsas de palomitas de maíz y las

# Información que debe conocer

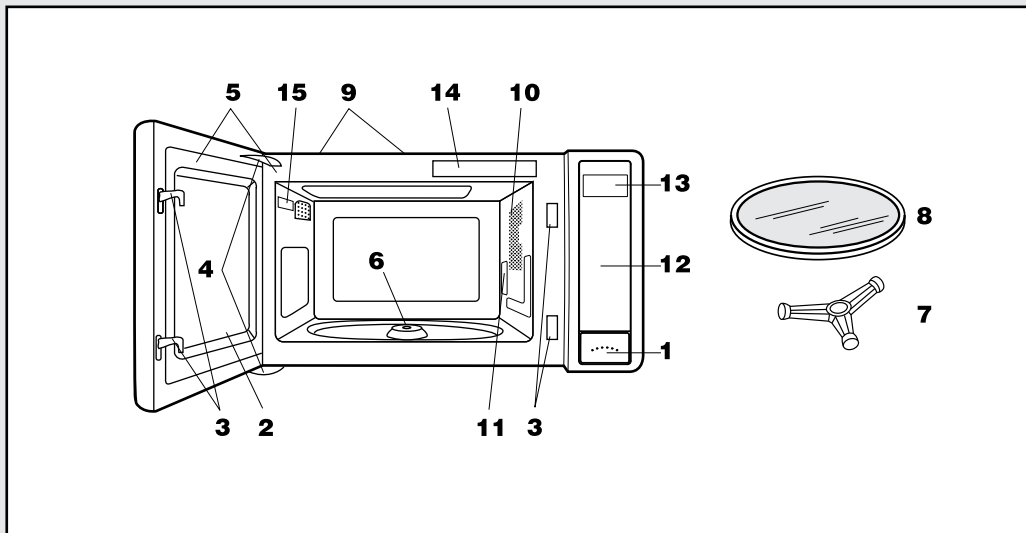
- bolsas especiales para cocinar en horno microondas apartándolas de su rostro.
- Permanezca cerca del horno microondas durante su uso y verifique con frecuencia el progreso de la cocción para que los alimentos no se cocinen demasiado.
- NUNCA use la cavidad para guardar libros de cocina u otros artículos.
- Seleccione, almacene y manipule los alimentos con cuidado para conservar su alta calidad y minimizar la propagación de bacterias.
- Conserve limpia la cubierta de la guía de onda. Los residuos de alimentos pueden producir arcos eléctricos o incendios.
- Tenga cuidado al retirar los alimentos del horno microondas para que los utensilios, su ropa o accesorios no toquen los pestillos de seguridad de la puerta.
- Mantenga el papel de aluminio que usa para cubrir los alimentos al menos a 2.5 cm. (1 pulgada) de las paredes, techo y puerta del horno microondas.

## SOBRE LOS ALIMENTOS

ALIMENTO	LO QUE DEBE HACER	LO QUE NO DEBE HACER
Huevos, salchichas, frutos secos, semillas, frutas y vegetales	<ul style="list-style-type: none"> <li>• Perfore las yemas del huevo antes de cocinarlo para evitar una "explosión".</li> <li>• Haga pequeños agujeros en la piel de las papas, manzanas, zapallos, hot dogs y salchichas para liberar el vapor.</li> </ul>	<ul style="list-style-type: none"> <li>• Cocinar los huevos con cáscara.</li> <li>• Recalentar los huevos enteros.</li> <li>• Deshidratar nueces o semillas con cáscara.</li> </ul>
Palomitas de maíz	<ul style="list-style-type: none"> <li>• Use palomitas de maíz empacadas en una bolsa especial para cocinarlas en el microondas.</li> <li>• Escuche mientras las palomitas revientan para saber si hay una demora de 1 o 2 segundos o use una almohadilla especial para palomitas de maíz.</li> </ul>	<ul style="list-style-type: none"> <li>• Cocinar palomitas de maíz en bolsas de papel común o en tazones de vidrio.</li> <li>• Exceder el tiempo máximo que indica el paquete de las palomitas de maíz.</li> </ul>
Alimentos para bebés	<ul style="list-style-type: none"> <li>• Transfiera los alimentos del bebé a un plato pequeño y caliéntelos con cuidado, revolviendo con frecuencia. Verifique en su muñeca la temperatura antes de servir.</li> <li>• Coloque las tetinas en las botellas después de calentarlas y sacúdalas bien. Verifique la temperatura usted mismo antes de alimentar al bebé.</li> </ul>	<ul style="list-style-type: none"> <li>• Calentar botellas desechables.</li> <li>• Calentar las botellas con las tetinas puestas.</li> <li>• Calentar los alimentos del bebé en sus frascos originales.</li> </ul>
General	<ul style="list-style-type: none"> <li>• Corte los alimentos horneados con relleno después de calentarlos para liberar el vapor y prevenir las quemaduras.</li> <li>• Revuelva bien los líquidos antes, durante y después de calentar para evitar "erupciones".</li> <li>• Use un tazón profundo al cocinar líquidos o cereales para evitar que rebosen.</li> </ul>	<ul style="list-style-type: none"> <li>• Calentar o cocinar en frascos de vidrio cerrados o en recipientes herméticos.</li> <li>• Preparar conservas o mermeladas en el microondas ya que las bacterias dañinas podrían no ser destruidas.</li> <li>• Freír en aceite.</li> <li>• Secar madera, calabazas, hierbas o papeles húmedos.</li> </ul>

# Nombre de las partes

## PARTES DEL HORNO MICROONDAS



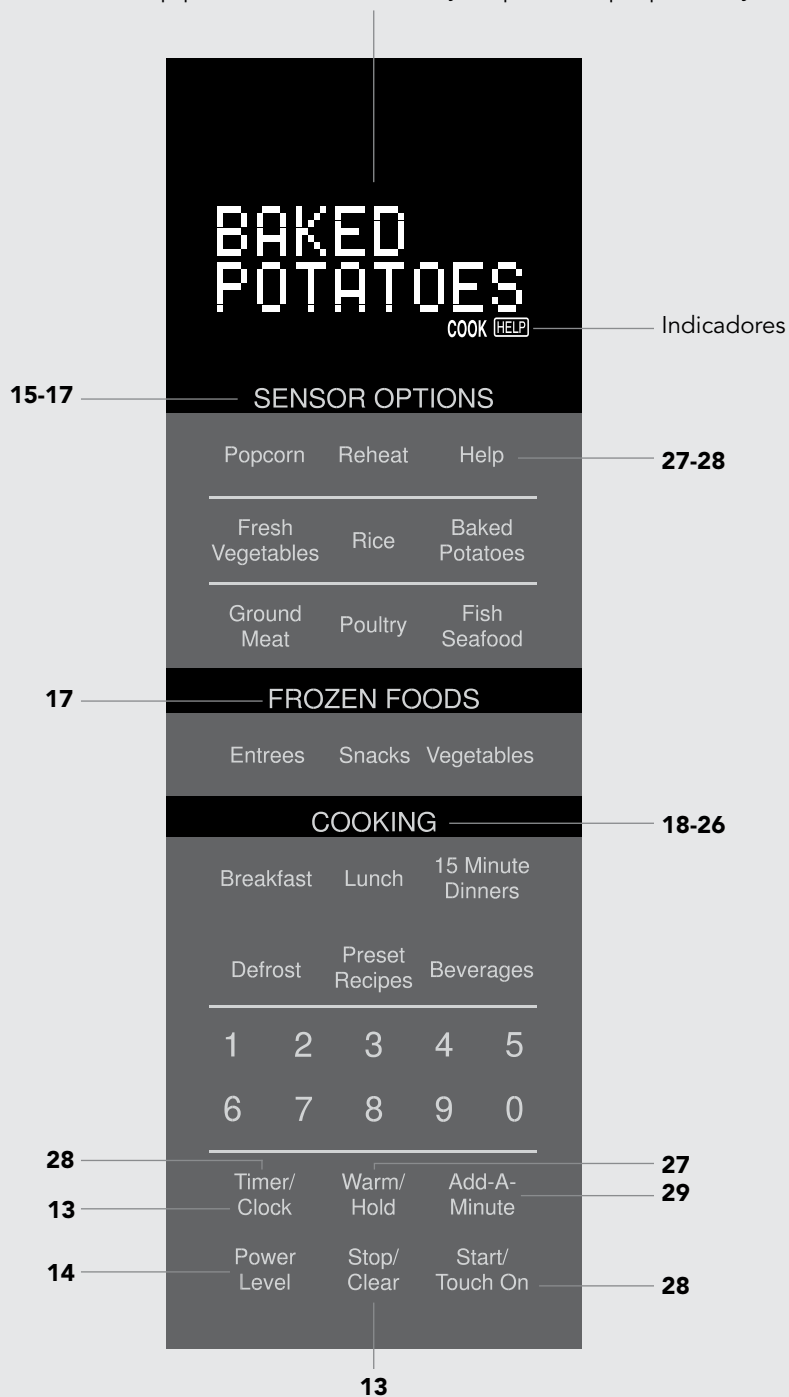
- 1 Botón de un solo toque para abrir la puerta  
Presione para abrir la puerta
- 2 Puerta del horno microondas con ventana transparente
- 3 Pestillos de seguridad de la puerta  
El horno microondas no funcionará si la puerta no está bien cerrada.
- 4 Bisagras de puerta
- 5 Sellos de la puerta y superficies de sellado
- 6 Eje del motor del plato giratorio
- 7 Soporte del plato giratorio desmontable  
Coloque con cuidado el soporte del plato giratorio en el centro del piso del horno microondas.
- 8 Plato giratorio desmontable. Coloque firmemente el plato giratorio en el soporte del plato giratorio.  
El plato giratorio puede girar en sentido horario o antihorario. Retírelo únicamente para limpiarlo.
- 9 Ranuras de ventilación (parte posterior)
- 10 Luz del horno microondas. Se encenderá cuando el horno microondas esté en operación o al abrir la puerta del horno.
- 11 Cubierta de la guía de onda: NO LA RETIRE.
- 12 Panel de control táctil automático
- 13 Pantalla interactiva: 99 minutos, 99 segundos
- 14 Etiqueta del menú de COCCIÓN
- 15 Etiqueta de potencia de uso

# Nombre de las partes

## PANEL DE CONTROL

La Pantalla interactiva de dos líneas especifica los pasos de operación y muestra los consejos para la cocción. Cuando se encienda el mensaje HELP (AYUDA) en la pantalla, presione el botón Help para visualizar un consejo específico que pueda ayudarle.

Controles del producto



El número cerca de la ilustración del panel de control indica las páginas donde puede encontrar descripciones de las características e información





# Antes de operar

- Antes de poner en funcionamiento su nuevo horno microondas, asegúrese de haber leído y entendido completamente este Manual de Instalación/uso y cuidado.
- Antes de que se pueda usar el horno microondas, siga estos procedimientos:
  1. Conecte el horno microondas. Cierre la puerta. La pantalla del horno mostrará **WELCOME PRESS CLEAR AND PRESS CLOCK** (BIENVENIDO PRESIONE BORRAR Y PRESIONE RELOJ).
  2. Presione el botón Stop/Clear (Parar/Borrar). Aparecerá el símbolo : .
  3. Programe el reloj.

## PARA FIJAR LA HORA

- Suponga que desea ingresar la hora correcta del día 12:30 (A.M o P.M.)

PROCEDIMIENTO	PANTALLA
1. Presione el botón Timer/Clock (Temporizador/Reloj) y el botón número 2.	
2. Ingrese la hora correcta del día presionando los números en secuencia. Presione nuevamente el botón Timer/Clock.	

Este es un reloj de 12 horas. Si intenta ingresar una hora incorrecta en el reloj, la pantalla mostrará el mensaje **ERROR**. Presione el botón Stop/Clear (Parar/Borrar) e ingrese nuevamente la hora.

- Si se interrumpe el suministro de energía eléctrica del horno microondas, el mensaje **WELCOME PRESS CLEAR AND PRESS CLOCK** destellará en la pantalla luego de restablecer la energía. Si esto ocurre durante la cocción, se borrará el programa. También se borrará la hora del día. Sólo presione el botón Stop/Clear y restablezca el reloj para ingresar la hora correcta.

## SELECCIÓN DEL IDIOMA/PESO

El horno microondas viene ajustado en inglés y en las unidades-libras acostumbradas en los Estados Unidos. Para cambiar, presione el botón Help (Ayuda) y el botón número 4. Continúe presionando el botón número 4 hasta seleccionar la opción que prefiera. Luego presione Start/Touch On (Inicio/Tocar Conectar). Vea la página 28.

## PARAR/BORRAR

Presione el botón Stop/Clear (Parar/Borrar) para:

1. Borrar si comete un error durante la programación.
2. Cancelar el temporizador.
3. Detener el horno microondas temporalmente durante la cocción.
4. Reingresar la hora del día en la pantalla.
5. Cancelar un programa durante la cocción, presionando dos veces.

# Operación manual

## TIEMPO DE COCCIÓN

El horno microondas puede ser programado para 99 minutos 99 segundos (99.99). Siempre ingrese los segundos después de los minutos, aun si ambos son 0.

- Suponga que desea cocción durante 5 minutos al 100%.

PROCEDIMIENTO	PANTALLA
1. Ingrese el tiempo de cocción.	5:00
2. Presione el botón Start/Touch On (Inicio/Tocar Conectar).	5:00 COOK

## PARA FIJAR EL NIVEL DE POTENCIA

Existen once niveles de potencia predeterminados.

Usar los niveles de potencia más bajos aumenta el tiempo de cocción, lo que es recomendable para alimentos como queso, leche y la cocción lenta y prolongada de carnes. Consulte el libro de recetas o las recetas para recomendaciones específicas.

PRESIONE EL BOTÓN POWER LEVEL (NIVEL DE POTENCIA) EL NÚMERO DE VECES INDICADO HASTA LLEGAR A LA POTENCIA DESEADA	PORCENTAJE APROXIMADO DE POTENCIA	PALABRAS COMUNES PARA LOS NIVELES DE POTENCIA
Power Level x 1	100%	Alto
Power Level x 2	90%	
Power Level x 3	80%	
Power Level x 4	70%	Medio- alto
Power Level x 5	60%	
Power Level x 6	50%	Medio
Power Level x 7	40%	
Power Level x 8	30%	Medio bajo/ descongelar
Power Level x 9	20%	
Power Level x 10	10%	Bajo
Power Level x 11	0%	

- Suponga que desea descongelar durante 5 minutos al 30%.

PROCEDIMIENTO	PANTALLA
1. Ingrese el tiempo de descongelamiento.	5:00
2. Presione el botón Power Level ocho veces o mantenga presionado hasta que aparezca la potencia deseada.	30 PERCENT
3. Presione el botón Start/Touch On (Inicio/Tocar Conectar).	5:00
4. Al completar el tiempo de descongelamiento, se escuchará un tono largo y la palabra END (FIN) aparecerá en la pantalla.	END

## DESCONGELAMIENTO MANUAL

Si los alimentos que desea descongelar no están incluidos en las tablas Súper Descongelamiento y Auto o se encuentran por encima o debajo de los límites en la columna "Cantidad" de las mismas (vea las páginas 24-25), usted debe descongelar manualmente.

Usted puede descongelar cualquier alimento crudo o precocido usando el Nivel de potencia 3. Siga exactamente el procedimiento de 4 pasos que se encuentra en la sección Para establecer el nivel de potencia. Calcule el tiempo de descongelamiento y presione Power Level ocho veces para una potencia del 30%.

Para alimentos crudos o congelados precocidos la regla general indica 4 minutos por libra. Por ejemplo, descongele durante 4 minutos para una libra de salsa para espaguetis congelada.

Siempre detenga el horno microondas periódicamente para retirar o separar las porciones que están descongeladas. Si al final del tiempo estimado de descongelamiento los alimentos no están descongelados, programe el horno microondas en incrementos de 1 minuto al 30% hasta que se descongelen totalmente.

Cuando use recipientes de plástico del congelador, descongele sólo lo suficiente para retirar el alimento del plástico y colocarlo en un plato para microondas.

# Sensor Options (Opciones del sensor)

El sensor es un dispositivo semiconductor que detecta el vapor (humedad) emitido por los alimentos mientras se calientan. El sensor ajusta los tiempos de cocción y el nivel de potencia para diversos alimentos y cantidades.

## USO DE LOS AJUSTES DEL SENSOR:

1. Después de conectar el horno microondas, espere 2 minutos antes de usar las SENSOR OPTIONS (OPCIONES DEL SENSOR).
2. Asegúrese de que el exterior del recipiente de cocción y el interior del horno microondas estén secos. Remueva cualquier rastro de humedad con un paño seco o toalla de papel.
3. El horno microondas funciona con alimentos a una temperatura de almacenamiento normal. Por ejemplo, las palomitas de maíz pueden estar a temperatura ambiente.
4. Cualquier selección de SENSOR OPTIONS puede ser programada con mayor o menor ajuste de tiempo. Vea la página 27.
5. Si la cantidad de alimentos es mayor o menor a la que indica la tabla, debe ser cocinada siguiendo las pautas de cualquier libro de cocina para microondas.
6. Durante la primera parte de las SENSOR OPTIONS, en la pantalla aparecerá el nombre de los alimentos. No abra la puerta del horno microondas ni presione el botón Stop/Clear (Parar/Borrar) durante esta parte del ciclo. La medida del vapor será interrumpida. Si esto sucede, en la pantalla aparecerá un mensaje de error. Para continuar la cocción, presione el botón Stop/Clear y cocine manualmente.  
Cuando el sensor detecte el vapor emitido por los alimentos, aparecerá en pantalla el tiempo de cocción restante. Puede abrir la puerta cuando aparezca en la pantalla el tiempo restante de cocción. En este momento, puede revolver o sazonar los alimentos, como desee.
7. Si el sensor no detecta el vapor apropiadamente al cocinar palomitas de maíz, el horno microondas se apagará y aparecerá en la pantalla la hora correcta del día.  
Si el sensor no detecta el vapor apropiadamente al cocinar otros alimentos, el mensaje ERROR aparecerá en la pantalla y el horno se apagará.

8. Revise la temperatura de los alimentos después de la cocción. Si es necesario un tiempo adicional, continúe la cocción manualmente.
9. Cada alimento tiene una sugerencia de cocción. Presione el botón Help (Ayuda) cuando se encienda el indicador HELP en la pantalla.

## ENVOLTURA DE ALIMENTOS:

La cocción de ciertos alimentos es mejor cuando están cubiertos. Use la envoltura recomendada en la tabla de SENSOR OPTIONS (OPCIONES DEL SENSOR) para estos alimentos.

1. Tapa de la cacerola.
2. Película plástica: Use la película plástica recomendada para cocción en microondas. Envuelva los platos de forma suelta; deje un espacio de casi ½ pulgada sin cubrir para permitir la salida de vapor. La película plástica no debe tocar los alimentos.
3. Papel encerado: Cubra el plato completamente; doble el exceso de la envoltura debajo del plato para asegurarlo. Si el plato es más ancho que el papel, sobreponga dos pedazos de papel por lo menos una pulgada para cubrir.

Tenga cuidado al retirar cualquier envoltura para permitir la salida de vapor lejos de usted.

### Ejemplo:

Usted puede cocinar diversos alimentos con sólo seleccionar el tipo de alimento y presionar Start/Touch On. No es necesario calcular el tiempo de cocción o nivel de potencia.

- Sponga que desea recalentar chiles enlatados.
1. Presione el botón Reheat (Recalentar).
  2. Presione el botón Start/Touch On.

Cuando el sensor detecte el vapor de los alimentos, aparecerá en la pantalla el tiempo de cocción restante.

### Nota:

Los ajustes para Vegetales frescos y carne de ave ofrecen 2 opciones. Siga las instrucciones en la Pantalla interactiva para elegir la opción deseada.

# Sensor Options (Opciones del sensor)

## TABLA DE OPCIONES DEL SENSOR

ALIMENTO	CANTIDAD	PROCEDIMIENTO															
Popcorn (Palomitas de maíz)	1 paquete	Use únicamente palomitas de maíz para cocción en horno microondas. Pruebe con varias marcas para elegir la que prefiera. No intente cocinar los granos que no reventaron completamente.															
	Bolsa de 1.5 - 3.5 onzas	Presione el botón Popcorn y luego presione Start/Touch On (Inicio/Tocar Conectar).															
Recalentamiento	4 - 36 onzas	Coloque en un plato o cacerola ligeramente más grande que la cantidad que va a recalentar. Aplane, si es posible. Recubra con una tapa, película plástica o papel encerado. Use envolturas como películas plásticas o tapas para grandes cantidades de alimentos con mayor densidad como estofados. Después de recalentar, revuelva bien, si es posible. Los alimentos deben estar muy calientes. Si no es así, continúe el recalentamiento con una potencia y tiempo variables. Después de revolver, recubra y deje que permanezca de 2 a 3 minutos.															
Vegetales frescos suaves:		Lave y coloque en una cacerola. No agregue agua si acaba de lavar los vegetales. Recubra con la tapa para vegetales tiernos. Use película plástica para vegetales tiernos y crocantes. Presione Fresh Vegetables (Vegetales Frescos), el número 1 y Start/Touch On (Inicio/Tocar Conectar).															
Brócoli	0.25 - 2.0 libras																
Coles de Bruselas	0.25 - 2.0 libras																
Repollo																	
Coliflor (flores pequeñas)	0.25 - 2.0 libras																
Coliflor (entera)	0.25 - 2.0 libras																
Espinaca	1 mediana																
Calabacín																	
Manzanas al horno	0.25 - 1.0 libras 0.25 - 2.0 libras 2 - 4 medianas																
Vegetales frescos duros:		Coloque en una cacerola. Agregue 1-4 cucharadas de agua. Recubra con la tapa para vegetales tiernos. Use película plástica para vegetales tiernos y crocantes. Presione Fresh Vegetables, el número 2 y Start/Touch On.															
Zanahorias en tajadas	0.25 - 1.5 libras																
Maíz en mazorca																	
Judías verdes	2 - 4																
	0.25 - 1.5 libras																
Calabaza: en mitades picada	0.25 - 1.5 libras 1 - 2																
Arroz	0.5 - 2.0 tazas	Coloque el arroz en una cacerola honda y agregue el doble de cantidad de agua. Cubra con una tapa o película plástica. Después de la cocción, revuelva, cubra y deje reposar de 3 a 5 minutos o hasta que absorba todo el líquido.															
		<table border="1"> <thead> <tr> <th>Arroz</th> <th>Agua</th> <th>Tamaño de la cacerola</th> </tr> </thead> <tbody> <tr> <td>1/2 taza</td> <td>1 taza</td> <td>1.5 cuartos</td> </tr> <tr> <td>1 taza</td> <td>2 tazas</td> <td>2 cuartos</td> </tr> <tr> <td>1.5 tazas</td> <td>3 tazas</td> <td>2.5 o 3 cuartos</td> </tr> <tr> <td>2 tazas</td> <td>4 tazas</td> <td>3 cuartos o más</td> </tr> </tbody> </table>	Arroz	Agua	Tamaño de la cacerola	1/2 taza	1 taza	1.5 cuartos	1 taza	2 tazas	2 cuartos	1.5 tazas	3 tazas	2.5 o 3 cuartos	2 tazas	4 tazas	3 cuartos o más
Arroz	Agua	Tamaño de la cacerola															
1/2 taza	1 taza	1.5 cuartos															
1 taza	2 tazas	2 cuartos															
1.5 tazas	3 tazas	2.5 o 3 cuartos															
2 tazas	4 tazas	3 cuartos o más															
Papas al horno	1 - 8 medianas	Haga pequeños agujeros. Colóquelas sobre el plato giratorio forrado con papel toalla. Después de la cocción, retire del horno microondas, envuelva en papel aluminio y deje reposar de 5 a 10 minutos.															

# Sensor Options (Opciones del sensor)

## TABLA DE OPCIONES DEL SENSOR

ALIMENTO	CANTIDAD	PROCEDIMIENTO
Carne molida	0.25 - 2.0 libras	Use este ajuste para cocinar carne de res o de pavo molida como hamburguesas o en cacerolas para ser agregadas a otros ingredientes. Coloque las hamburguesas en una rejilla para microondas y recubra con papel encerado. Coloque la carne molida en una cacerola y cúbrala con papel encerado o una película plástica. Cuando el horno microondas se detenga, voltee las hamburguesas o revuelva la carne en la cacerola para dividir las piezas grandes. Cubra nuevamente y presione Start/Touch On. Luego de la cocción, deje reposar cubierto de 2 a 3 minutos.
Carne de ave: Sin hueso	0.5 - 2.0 libras	Use pechuga de pollo o de pavo deshuesada. Cubra con una envoltura plástica con agujeros de ventilación. Presione los botones Poultry (Ave), el número 1 y Start/Touch On. Cuando el horno microondas se detenga, reacomode. Recubra y presione el botón Start/Touch On. Luego de la cocción, deje reposar cubierto de 2 a 3 minutos. La carne de ave debe estar a 160°F.
Con hueso	0.5 - 3.0 libras	Acomode las piezas con las partes más gruesas hacia la parte externa del plato de vidrio o de la rejilla del microondas. Cubra con una película plástica con agujeros de ventilación. Presione los botones Poultry, el número 2 y Start/Touch On. Luego de la cocción, deje reposar cubierto de 2 a 3 minutos. La carne oscura debe estar a 180°F mientras que la carne blanca debe estar a 170°F.
Pescado/mariscos	0.25 - 2.0 libras	Coloque formando un anillo sobre un plato de vidrio poco profundo (enrolle el filete con los bordes hacia abajo). Cubra con una película plástica con agujeros de ventilación. Después de la cocción, déjelo reposar cubierto durante 3 minutos.

## TABLA DE FROZEN FOODS

ALIMENTO	CANTIDAD	PROCEDIMIENTO
Entradas	6 - 17 onzas	Use este botón para comida de preparación rápida. Usted obtendrá resultados satisfactorios para la mayoría de marcas. Si desea puede probar diversas marcas y elegir la que prefiera. Retire la envoltura externa del paquete y siga las instrucciones del mismo para cubrirlo. Después de la cocción, déjelos cubiertos de 1 a 3 minutos.
Bocaditos	3 - 8 onzas	Use para papas fritas congeladas, palitos de queso, aperitivos, etc. Retire el empaque exterior. Siga las instrucciones del empaque para envolver o cubrir. Tenga cuidado al retirar del horno microondas ya que los bocaditos pueden estar muy calientes.
Vegetales	0.25 - 1.5 libras	No agregue agua. Cubra con una tapa o película plástica. Después de la cocción, revuelva y déjelos reposar cubiertos durante 3 minutos.

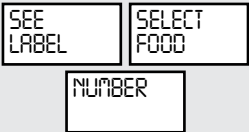


# Cooking (Cocción)

Your microwave oven has 6 convenience pads to assist with meal preparation. There are some foods in the Breakfast, Lunch, 15 Minute Dinners and Preset Recipes that use the sensor. See the sensor cooking information on page 15. For foods not using the sensor, follow the directions in the Interactive Display to enter quantity.

## BREAKFAST (DESAYUNO) Y LUNCH (ALMUERZO)

Las opciones Breakfast y Lunch (Desayuno y Almuerzo) se usan para la preparación y el calentamiento de alimentos comunes que toman poco tiempo.

- Suponga que desea usar la opción Breakfast para preparar 2 porciones de cereal caliente (Hot Cereal).

PROCEDIMIENTO	PANTALLA
1. Presione el botón Breakfast.	
2. Seleccione el ajuste en Breakfast que desee presionando el número deseado. (Por ej.: Presione el número 3 para seleccionar hot cereal.)	
3. Ingrese la cantidad. (Por ej.: Presione el número 2 para las porciones.) Presione el botón Start/Touch On (Inicio/Tocar Conectar).	
Después de la cocción, siga las instrucciones en la pantalla.	

## TABLA BREAKFAST

ALIMENTO	CANTIDAD	PROCEDIMIENTO
1. Huevos revueltos	1 - 9 huevos	Por cada huevo, use 1 cucharadita de mantequilla o margarina y una cucharada de leche. Coloque la mantequilla o la margarina en un plato, taza de medir o cacerola que sean lo suficientemente grandes para que los huevos se expandan. Mezcle los huevos con la leche. Vierta sobre la mantequilla o margarina en el plato. Coloque en el horno microondas y programe. Cuando escuche las señales audibles, revuelva la mezcla de huevos moviendo la parte cocida hacia el centro del plato y la parte no cocida hacia afuera. Después de la cocción, revuelva y deje reposar, cúbralo y espere hasta que esté listo. Observe que los huevos no estarán totalmente cocidos cuando los retire del horno.
2. Tocino	2 a 6 rebanadas	Por cada huevo, use 1 cucharadita de mantequilla o margarina y una cucharada de leche. Coloque la mantequilla o la margarina en un plato, taza de medir o cacerola que sean lo suficientemente grandes para que los huevos se expandan. Mezcle los huevos con la leche. Vierta sobre la mantequilla o margarina en el plato. Coloque en el horno microondas y programe. Cuando escuche las señales audibles, revuelva la mezcla de huevos moviendo la parte cocida hacia el centro del plato y la parte no cocida hacia afuera. Después de la cocción, revuelva y deje reposar, cúbralo y espere hasta que esté listo. Observe que los huevos no estarán totalmente cocidos cuando los retire del horno.  Coloque el tocino en un plato de papel, cubierto con papel toalla. El tocino no debe extenderse sobre el borde del plato. Cubra con otro papel toalla. Permita que el tocino repose unos pocos minutos después de retirarlo del horno microondas para completar la cocción.

### Nota:

1. El ajuste para calentar rosquillas/panecillos ofrece 2 opciones. Siga las instrucciones en la pantalla interactiva para elegir la opción que desee.
2. La opción Breakfast puede ser programada con mayor o menor ajuste de tiempo Presiones el botón Power Level una o dos veces antes de presionar el botón Start/Touch On. Vea la página 27.
3. Cada alimento tiene una sugerencia de cocción. Presione el botón Help (Ayuda) cuando se encienda el indicador HELP en la pantalla.
4. En caso de que trate de ingresar una cantidad mayor o menor a la permitida, aparecerá en la pantalla un mensaje de error.  
Una cantidad mayor o menor a la indicada en la tabla debe cocinarse siguiendo las pautas de cualquier libro para microondas.
5. El resultado final de cocción variará según la condición del alimento (como temperatura inicial, forma, calidad, envoltura). Revise la temperatura de los alimentos después de la cocción. Si es necesario un tiempo adicional, continúe la cocción manualmente.

# Cooking (Cocción)

## TABLA BREAKFAST

ALIMENTO	CANTIDAD	PROCEDIMIENTO
3. Cereal caliente	1 a 6 porciones	Utilice cereal en empaques individuales o a granel en la variedad que prefiera: avena, oat brand, cream of wheat, farina o wheatena. Siga las instrucciones del empaque para la cantidad correcta de agua o leche. Para evitar derrames, es muy importante elegir un recipiente grande porque la cocción del cereal en microondas causa una ebullición alta. Si el horno microondas se detiene, revuelva y presione Start/Touch On. Después de la cocción, revuelva y deje reposar, cubriéndolo por 2 minutos.
4. Rosquillas y Panecillos		Use este botón para calentar rosquillas, panecillos, bizcochos, rosquillas, etc. Las porciones grandes deben considerarse como 2 ó 3 de tamaño normal. Colóquelos en un plato y cubra con papel toalla.
Frescos	1 a 10 piezas	Para calentar rosquillas y panecillos frescos, presione Breakfast, botón número 4, y presione el botón número 1. Después ingrese la cantidad deseada y presione el botón Start/Touch On (Inicio/Tocar Conectar). Para bollos o panecillos refrigerados, puede ser necesario duplicar la cantidad ingresada para asegurar la temperatura adecuada para servir. Por ejemplo, ingrese una cantidad de 2 para un panecillo refrigerado.
Congelados	1 a 10 piezas	Para bollos y panecillos congelados, presione el botón Breakfast y presione el botón número 4, luego el botón número dos. Después ingrese la cantidad deseada y presione el botón Start/Touch On (Inicio/Tocar Conectar).
5. Alimentos para el desayuno congelados*	1 (3 a 6 oz.)	Este ajuste funciona bien para alimentos de entrada para el desayuno congelados, como panqueques, waffle, burritos etc. Siga las instrucciones del fabricante sobre cómo preparar para cocción en microondas. Deje reposar por 1 ó 2 minutos después de la cocción.

\* No es necesario ingresar una cantidad.

## TABLA LUNCH

ALIMENTO	CANTIDAD	PROCEDIMIENTO
1. Comidas en una Taza*	1 taza (6 - 8 oz.)	Este ajuste es ideal para las porciones individuales de comida enlatada y empaquetada en un envase pequeño para microondas generalmente de 6 a 8 onzas. Retire la cubierta interna de metal y vuelva a colocar la cubierta externa para microondas. Después de cocinar, revuelva los alimentos y deje reposar 1 ó 2 minutos.
2. Hot Dogs en panecillos*	1 - 4 piezas	Coloque el hot dog en el panecillo. Envuelva cada uno con papel toalla o servilleta de papel.
3. Sopa*	1 - 8 tazas	Coloque en un recipiente o cacerola. Cubra con una tapa o película plástica. Al final, revuelva, vuelva a cubrir y deje reposar de 1 a 3 minutos.
4. Pizza para microondas*	1 (6 - 8 oz.)	Use para pizza congelada para microondas. Retire del empaque y desenvuelva. Siga las instrucciones del empaque para usar el empaque y/o el disco plateado para envolver.
5. Emparedado congelado*	1 (3 - 6 oz.)	Use para emparedados congelados para microondas. Retire del empaque y siga las instrucciones para colocarlo en el horno microondas.

\* No es necesario ingresar una cantidad.

# Cooking (Cocción)

## 15 MINUTE DINNERS (COMIDAS EN 15 MINUTOS) Y PRESET RECIPES (RECETAS PREESTABLECIDAS)

Las comidas en 15 minutos y las recetas preestablecidas ofrecen cada una cinco platos fáciles de preparar y con un excelente sabor. Siga las instrucciones específicas ubicadas en el recetario y en la pantalla interactiva.

- Suponga que quiere usar 15 Minutes Dinner para cocinar Saucy Chicken (Pollo con salsa).

PROCEDIMIENTO	PANTALLA
1. Presione el botón 15 Minute Dinners.	
2. Seleccione el ajuste de 15 Minute Dinners deseado, presionando el botón del número deseado. (Ej: Presione el botón número 1 para seleccionar Saucy Chicken.)	

PROCEDIMIENTO	PANTALLA
Siga la tarjeta de receta para los ingredientes y las instrucciones. Presione el botón Start/Touch On (Inicio/Tocar Conectar).	
3. Cuando el horno microondas se detenga, la pantalla mostrará el número de ubicación de las instrucciones en la tarjeta de receta.	
Siga las instrucciones en la tarjeta de receta. Presione el botón Start/Touch On (Inicio/Tocar Conectar).	
4. Al finalizar, la pantalla mostrará el número de instrucción en la tarjeta de receta. Siga las instrucciones en la tarjeta de receta.	

## 15 MINUTE DINNERS (RECETAS PARA 6 PERSONAS)

### 1. POLLO CON SALSAS

1 Coloque en una cacerola de tres cuartos:

- 1 cucharada de aceite
- ½ libra de champiñones en rodajas
- 1 cebolla picada
- 1 cucharada de ajo molido

Revuelva bien y cubra. Presione el botón número **1** de **15 Minute Dinners** para seleccionar SAUCY CHICKEN y luego presione **Start/Touch On**.

2 Mezcle juntos:

- 8 onzas de queso crema ablandado bajo en grasa
- ¼ de taza de leche

Agregue y revuelva en la mezcla del queso crema:

- 1 Un paquete de 10 onzas de arvejas congeladas
- 2 tazas de pechuga de pollo cocida finamente rebanada

Sal y pimienta al gusto

Cuando se detenga, escurra el líquido de los champiñones etc. Añada la mezcla de queso crema/arvejas/pollo y revuelva. Vuelva a cubrir. Presione el botón **Start/Touch On**.

3 Al final, agregue y revuelva una taza de queso rallado Monterrey Jack.

Sirva sobre papas al horno o pasta cocida.

### 2. CERDO A LA HAWAIANA

1 Coloque en una cacerola de tres cuartos:

- 1 cucharada de aceite
- 1 libra de lomo de cerdo deshuesado cortado en tiras de 1 pulgada y sazonado con sal y pimienta

Revuelva bien y cubra. Presione el botón número **2** de **15 Minute Dinners** para seleccionar HAWAIIAN PORK (CERDO A LA HAWAIANA) y luego presione **Start/Touch On**.

2 Mezcle bien en un recipiente:

- 1 taza de duraznos o albaricoques enlatados
- ¼ de taza de salsa barbacoa
- 2 cucharadas de salsa de soya
- 2 cucharadas de maicena
- 1 taza de cebolla picada en trozos grandes

Cuando se detenga, agregue la mezcla de los enlatados y la salsa barbacoa y revuelva bien en forma simultánea. Vuelva a cubrir. Presione el botón **Start/Touch On**.

3 Cuando se detenga agregue:

- 1 lata de 8 onzas de castañas de agua escurridas
- 1 pimiento verde despepitado y cortado en tiras delgadas de 2 pulgadas
- 1 pimiento rojo despepitado y cortado en tiras delgadas de 2 pulgadas
- 1 lata de 20 onzas de piña en trozos escurridos



# Cooking (Cocción)

## 15 MINUTE DINNERS (RECIPES SERVE 6)

Revuelva para mezclar. Vuelva a cubrir. Presione el botón **Start/Touch On**.

**4** Al final, revuelva nuevamente.

Sirva sobre arroz cocido.

### 3. FIESTA CHILI

- 1 Coloque en una cacerola de tres cuartos:  
1¼ libras de carne de pavo molida  
½ taza de cebolla picada en cuadritos  
½ taza de pimienta roja picado en cuadritos

Disperse la carne de pavo y revuelva junto con las cebollas y el pimienta rojo. Cubra. Presione el botón número **3** de **15 Minute Dinners** para seleccionar FIESTA CHILI y luego presione **Start/Touch On**.

- 2 Cuando se detenga, escurra y agregue a la cacerola:  
8 onzas de salsa chunky  
1 lata de 11 onzas de maíz mexicano escurrido  
1 lata de 15 onzas de chili con frijoles  
1-3 cucharaditas de chili en polvo

Revuelva en forma conjunta. Vuelva a cubrir. Presione el botón **Start/Touch On**.

**3** Al final, revuelva nuevamente.

Sirva sobre arroz cocido o chips de nachos. Cubra con 2 tazas de queso rayado Monterrey Jack o Cheddar.

### 4. SALMÓN GLASEADO

- 1 Combine:  
¼ taza de jugo de naranja concentrado  
2 cucharadas de aliño de miel y mostaza  
1 cucharada de jengibre fresco rallado o 2 cucharadas de jengibre molido

Coloque en una cacerola de vidrio de 7" x 11":  
1½ libras de filete de salmón

Rocíe ½ de la mezcla de naranja sobre la superficie del salmón. Cubra con una película plástica. Presione el botón número **4** de **15 Minute Dinners** para seleccionar GLAZED SALMON (SALMON GLASEADO) y luego presione **Start/Touch On**.

- 2 Cuando se detenga, coloque alrededor del borde del salmón:  
3 tazas de flores de brócoli  
1 pimienta roja cortado en finas rebanadas

Rocíe la mezcla de naranja restante sobre los vegetales. Cubra todo con dos cucharadas de semillas de ajonjolí tostadas. Vuelva a cubrir. Presione el botón **Start/Touch On**.

**3** Al final, cubra y deje reposar de 3 a 5 minutos. Sirva con arroz a la mantequilla, pasta o papas adornadas con perejil.

### 5. FRITTATA SALUDABLE

- 1 Engrase un plato para pastel de 9". Coloque en él:  
½ libra de champiñones en rodajas  
¾ de taza de cebolla picada  
1 cucharada de ajo molido  
¼ de libra de salchicha ahumada, baja en grasa, picada

Cubra con una película plástica. Presione el botón número **5** de **15 Minute Dinners** para seleccionar HEALTHY FRITTATA (FRITTATA SALUDABLE) y luego presione **Start/Touch On**.

**2** Cuando se detenga, escurra y coloque a un lado.

En un recipiente mediano, combine y revuelva bien en forma conjunta:

- 3 huevos grandes  
½ taza de crema agria sin grasa  
1 cucharada de mostaza Dijon  
½ cucharadita de sal  
⅛ de cucharadita de pimienta

Agregue y revuelva en forma conjunta:

- ½ paquete de 10 onzas de espinacas congeladas y picadas, descongeladas y exprimidas  
1 taza de queso suizo rallado

Vierta la mezcla del recipiente sobre la mezcla de champiñones/cebollas/salchicha. Mezcle en forma conjunta.

No cubrir. Presione **Start/Touch On**.

- 3 Cuando termine, retire del horno microondas y deje reposar de 3 a 5 minutos. Sirva con una ensalada mixta y tomates en rodajas para un desayuno de media mañana.

# Cooking (Cocción)

## RECETAS PREESTABLECIDAS (RECETAS PARA 6 PERSONAS)

### 1. ENVUELTOS DE CARNE

- 1 Coloque en una cacerola de tres cuartos:  
1 libra de carne molida  
Desmenuzar y cubrir. Presione el botón número **1** de **Preset Recipes** para seleccionar **BEEF WRAPS (ENVUELTOS DE CARNE)** y luego presione **Start/Touch On**.
- 2 Cuando se detenga, escurra la grasa y divida la carne molida en pequeñas porciones. Agregue a la cacerola:  
1 paquete de 10 onzas de espinacas congeladas y picadas, descongeladas y exprimidas  
1½ tazas de salsa  
1-3 cucharaditas de chili en polvo  
Revuelva en forma conjunta. Vuelva a cubrir. Presione el botón **Start/Touch On**.
- 3 Cuando termine, revuelva y coloque en 8 tortillas de maíz calientes. Cubra con 1 taza de queso Cheddar rallado.

### 2. POLLO MEXICANO

- 1 Coloque en capas dentro de una cacerola de tres cuartos:  
2 tazas de arroz instantáneo  
1 taza de salsa para fajitas preparada mezclada con ½ taza de caldo de pollo o de carne.  
2 paquetes de 10 onzas de vegetales congelados surtidos (cebolla, pimientos, perejil y apio)  
1 libra de pechuga de pollo deshuesada, cortada en tiras delgadas de 1 pulgada.  
Cubra. Presione el botón número **2** de **Preset Recipes** para seleccionar **MEXICAN CHICKEN (POLLO MEXICANO)** y luego presione **Start/Touch On**.
- 2 Cuando se detenga, mezcle en forma conjunta, asegurándose de que las tiras de pollo estén separadas y mezcladas con el arroz y salsa. Vuelva a cubrir. Presione **Start/Touch On**.
- 3 Al final, revuelva nuevamente.  
*Sirva con judías verdes con mantequilla y tortillas tostadas.*

### 3. ENSALADA ITALIANA

- 1 Para cocinar pasta: Coloque en una cacerola de 3 cuartos:  
6 tazas de agua de grifo bien caliente  
Cubra. Presione el botón número **3** de **Preset Recipes** para seleccionar **ITALIAN SALAD (ENSALADA ITALIANA)** y luego presione **Start/Touch On**.
- 2 Cuando se detenga agregue:  
8 onzas de pasta rotini o fusilli tricolor  
1 cucharadita de aceite para ensalada  
No cubrir. Presione el botón **Start/Touch On**.
- 3 Al terminar, escurra la pasta y colóquela a un lado.  
Para cocinar el pollo: Coloque en un plato para pastel de 9":  
1 libra de pechuga de pollo deshuesada, cortada en tiras delgadas de 1 pulgada.  
Cubra. Presione **Start/Touch On**.
- 4 Cuando se detenga, reacomode las piezas menos cocidas en el borde del plato para pastel. Vuelva a cubrir. Presione **Start/Touch On** (Inicio/Tocar Conectar).
- 5 Escurra y coloque a un lado.  
Para preparar la ensalada: Coloque en un recipiente grande para ensaladas:  
Rotini o fusilli cocidos  
Pechuga de pollo cocida  
2 tomates, cortado en ocho piezas  
½ taza de aceitunas negras cortadas en rodajas  
1 taza de queso mozzarella rallado  
¼ taza de cebolla roja picada.  
¾-1 taza de aliño de vinagre y aceite con salsa pesto  
Revuelva para cubrir todas las piezas. Sirva inmediatamente o refrigere para servir luego.  
*Ideal para ser servido con panecillos calientes y crujientes.*

# Cooking (Cocción)

## PRESET RECIPES (RECIPES SERVE 6)

### 4. MACARONI CON ATÚN

**1** Para cocinar macarrones: Coloque en una cacerola de 3 cuartos:

- 6 tazas de agua de grifo bien caliente

Cubra. Presione el botón número **4** de **Preset Recipes** para seleccionar TUNA MACARONI (MACARRÓN CON ATÚN) y luego presione **Start/Touch On**.

**2** Cuando se detenga agregue:

- 2 tazas de macarrones de codo
- 1 cucharadita de aceite para ensalada

No cubrir. Presione el botón **Start/Touch On**.

**3** Cuando termine, escurra los macarrones y coloque a un lado en la cacerola.

Combine en un recipiente:

- 1 lata de sopa de crema de apio
- ½ taza de leche
- ½ taza de crema agria sin grasa

Agregue a los macarrones en la cacerola:

La mezcla de la sopa/leche/crema agria

- 1 lata de 6½ onzas de atún sólido en agua, escurrido y desmenuzado
- 1 taza de arvejas congeladas
- 1 taza de queso Cheddar rallado
- Sal y pimienta al gusto

Revuelva en forma conjunta hasta que esté bien mezclado

Cubra. Presione el botón **Start/Touch On**.

**4** Al final, revuelva nuevamente.

*Sirva con palitos de zanahoria fresca, ensalada mixta y panecillos.*

### 5. MEZCLA DEL JARDÍN

**1** Coloque en una cacerola de 2 cuartos y ½:

- 1 libra de papas peladas para hornear, cortadas en ocho y en rodajas finas
- 1 lata de 14 onzas y ½ de tomates en cuadritos
- 2 cucharaditas de ajo molido
- 1 cucharadita de hojas de tomillo

Cubra. Presione el botón número **5** de **Preset Recipes** para seleccionar GARDEN MEDLEY (MEZCLA DEL JARDÍN) y luego presione **Start/Touch On**.

**2** Cuando se detenga, revuelva bien y agregue:

- 1 paquete de 16 onzas de vegetales surtidos salteados y congelados.
- 2 tazas de calabacines finamente cortados

Vuelva a cubrir. Presione el botón **Start/Touch On**.

**3** Cuando termine, rocíe la superficie superior con 4 onzas de queso Cheddar rallado.

*Sirva con ensalada de espinaca y melón refrigerado.*

# Cooking (Cocción)

## DEFROST (DESCONGELAR)

La función Defrost (Descongelar) descongela automáticamente todos los alimentos indicados en las tablas Super Defrost y Auto Defrost.

### Super Defrost (Super Descongelamiento)

Super Defrost (Super Descongelamiento) descongela rápidamente los alimentos y pesos específicos ubicados en la tabla Super Defrost (números 1 a 3). Para estas opciones, no es necesario ingresar el peso.

- Suponga que quiere descongelar 1.0 libra de carne de aves deshuesada.

PROCEDIMIENTO	PANTALLA
1. Presione el botón Defrost.	
2. Presione el botón número 2 para seleccionar carne de aves deshuesada. Presione el botón Start/Touch On.	

PROCEDIMIENTO	PANTALLA
3. El horno microondas se detendrá para que pueda controlar la comida. La pantalla mostrará: Presione el botón Start/Touch On.	
4. Luego de que el ciclo de descongelamiento termine, siga las instrucciones.	

#### Nota:

1. Para descongelar otros alimentos por encima o debajo de los pesos permitidos en las tablas Super Defrost y Auto Defrost, utilice el tiempo y una potencia de 30%. Vea el descongelamiento manual en la página 14.
2. Cualquier ajuste en el descongelamiento puede ser programado con ajustes de más o menos tiempo. Presione el botón Power Level una o dos veces antes de presionar el botón Start/Touch On.
3. Presione el botón Help (Ayuda) cuando el indicador de HELP se encuentre encendido en la pantalla para recibir una sugerencia útil.
4. Si intenta ingresar mayor o menor cantidad que la indicada en la tabla, la pantalla mostrará un mensaje de error.

## TABLA SUPER DEFROST

ALIMENTOS	CANTIDAD	PROCEDIMIENTO
1. Carne molida*	1.0 libra	Cuando se detenga, dé vuelta, retire las piezas descongeladas y separe las piezas restantes. Cuando finalice, cubra y deje reposar de 3 a 5 minutos.
2. Pollo deshuesado*	1.0 libra	Cuando se detenga, dé vuelta y separe por piezas. Cuando finalice, cubra y deje reposar de 3 a 5 minutos.
3. Piezas de pollo con hueso*	2.0 libra	Cuando se detenga, dé vuelta y separe por piezas. Cuando finalice, cubra y deje reposar de 3 a 5 minutos.

\* No es necesario ingresar una cantidad.

#### Nota para Super Descongelamiento:

Super Descongelamiento proporciona un descongelamiento adecuado para que los alimentos puedan ser usados en recetas o para su cocción. Quedarán algunos cristales de hielo.

# Cooking (Cocción)

## AUTO DEFROST (DESCONGELAMIENTO AUTOMÁTICO)

- Suponga que quiere descongelar un bistec de 2.0 libras, usando Auto Defrost (Descongelamiento Automático).

PROCEDIMIENTO	PANTALLA
1. Presione el botón Defrost.	
2. Seleccione el ajuste de Defrost que desee presionando el botón del número deseado. (Ej: Presione el botón 5 para seleccionar bistec.)  Ingrese el peso. (Ej: Presione los botones número 2 y 0 para 2.0 lb.) Presione el botón Start/ Touch On.	

PROCEDIMIENTO	PANTALLA
3. El horno microondas se detendrá para que pueda controlar la comida. La pantalla mostrará:	
4. Después de la primera etapa, abra la puerta. Dé vuelta al bistec y cubra las porciones calientes. Cierre la puerta. Presione el botón Start/Touch On.	
5. Después de la segunda etapa, abra la puerta.  Cubra todas las partes calientes Cierre la puerta.  Presione el botón Start/ Touch On.	
6. Luego de que el ciclo de descongelamiento termine, siga las instrucciones.	

## TABLA AUTO DEFROST

ALIMENTOS	CANTIDAD	PROCEDIMIENTO
4. Carne molida	.5 - 3.0 libras	Retire las piezas descongeladas después de cada etapa. Cubra y deje reposar de 5 a 10 minutos.
5. Bistecs, chuletas o pescado	.5 - 4.0 libras	Después de cada etapa, reacomode y si hubiera alguna porción tibia o descongelada, protéjala con piezas pequeñas y planas de papel aluminio. Retire las porciones de carne o pescado que estén casi descongeladas. Cubra y deje reposar de 10 a 20 minutos.
6. Pollo	.5 - 3.0 libras	Después de cada etapa, reacomode las piezas y retire las porciones que se encuentren calientes o descongeladas. Cubra y deje reposar de 10 a 20 minutos.
7. Carne asada	2.0 - 4.0 libras	Inicio el descongelamiento colocando el lado con grasa hacia abajo. Después de cada etapa, volteo el asado y cubra las porciones calientes con papel de aluminio. Cubra y deje reposar de 30 a 60 minutos
8. Cazuela o sopa	1 - 8 tazas	Después de escuchar la señal audible, revuelva si es posible Al final, revuelva bien, cubra y deje reposar de 5 a 10 minutos.

### Nota para Descongelamiento Automático:

Controle los alimentos cuando el horno microondas lo indique. Después de la etapa final, todavía puede haber pequeñas partes con hielo. Deje reposar para que continúe el descongelamiento. No descongele hasta que se derritan todos los cristales de hielo.

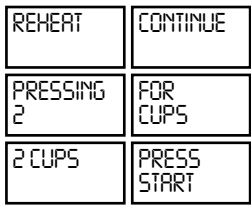
Cubrir los alimentos ayuda a prevenir que se realice la cocción antes de que el centro del alimento esté descongelado. Use pequeñas tiras de papel aluminio para cubrir los bordes y las partes más delgadas del alimento.

# Cooking (Cocción)

## BEVERAGES (BEBIDAS)

Beverages (Bebidas) le permite recalentar el café o té a una temperatura más adecuada para su bebida, o hacer café o té instantáneo.

- Suponga que quiere recalentar 2 tazas de café.

PROCEDIMIENTO	PANTALLA
1. Presione el botón Beverages.	
2. Seleccione el ajuste de Beverages deseado, presionando el botón del número que desee. (Ej.: Presione el botón número 2 para recalentar el café.) Ingrese la cantidad presionando el número 2 repetidamente. (Ej.: Presione el botón número 2 cuatro veces.)	
3. Presione el botón Start/Touch On.	

### Nota:

1. La opción Beverages puede ser programada con mayor o menor ajuste de tiempo. Presione el botón de Power Level (Nivel de Potencia) una o dos veces, luego de seleccionar la cantidad. Vea la página 27.
2. Presione el botón Help (Ayuda) cuando el indicador de HELP se encuentre encendido en la pantalla para recibir una sugerencia útil.
3. Una cantidad mayor o menor a la indicada en la tabla debe cocinarse siguiendo las pautas de cualquier libro para microondas.

## TABLA BEVERAGES

ALIMENTOS	CANTIDAD	PROCEDIMIENTO
1. Para hacer café o té	1 a 4 tazas	Use este ajuste para calentar AGUA DE GRIFO FRÍA a una temperatura un tanto debajo del punto de ebullición para hacer café o té instantáneo. Presione el botón número 1 para aumentar una taza por cada vez que lo presione. Revuelva bien los líquidos antes y después de calentar para evitar "erupciones".
2. Para recalentar una bebida	.5 a 2.0 libras	Este ajuste es adecuado para calentar una bebida fría a una mejor temperatura para beber. Presione el botón número 2 para un aumento de ½ taza por toque. Revuelva después de calentar.

# Otras Características Convenientes

## WARM/HOLD (CALENTAR/MANTENER)

Warm/Hold (Calentar/Mantener) le permite conservar caliente los alimentos hasta 30 minutos.

Para usarlo, simplemente presione el botón Warm/Hold e ingrese el tiempo adecuado (hasta 30 minutos). Usted también puede programar Warm/Hold con cocción manual para conservar continuamente caliente los alimentos después de la cocción.

### USO DIRECTO

- Imagine que desea conservar caliente una taza de sopa por 15 minutos.

1. Presione el botón Warm/Hold.
2. Presione el botón Start/Touch On.

El horno microondas iniciará automáticamente. La pantalla mostrará 15.00 e irá en cuenta regresiva. KEEP WARM aparecerá en la pantalla cada 10 segundos.

### Con cocción manual

- Suponga que quiere cocinar una taza de sopa por 2 minutos al 70% y conservar la sopa caliente por 15 minutos.

1. Ingrese el tiempo de cocción.
2. Presione el botón Power Level 4 veces para una potencia al 70%.
3. Presione el botón Warm/Hold. Ingrese el tiempo deseado.
4. Presione el botón Start/Touch On.

El horno empezará a funcionar. Al completar el tiempo de cocción, escuchará un tono largo y empezará la función Warm/Hold. KEEP WARM aparecerá en la pantalla cada 10 segundos.

### Nota:

La función Warm/Hold no puede ser programada con las funciones SENSOR OPTIONS o COOKING.

## COCCIÓN EN SECUENCIAS MÚLTIPLES

Su horno microondas puede ser programado para 4 secuencias de cocción automática, cambiando automáticamente de un ajuste de nivel de potencia a otro.

A veces, las instrucciones de cocción le indican empezar en un nivel de potencia y luego cambiar a un nivel de potencia diferente. Su horno microondas puede hacerlo automáticamente.

- Imagine que desea cocinar un bife asado por 5 minutos al 100% y luego continuar la cocción por 30 minutos al 50%.

1. Primero ingrese el tiempo de cocción. Luego presione el botón Power Level para una potencia al 100%.

2. Luego ingrese el segundo tiempo de cocción. Presione el botón Power Level 6 veces para una potencia al 50%.
3. Presione el botón Start/Touch On.

### Nota:

1. Si selecciona 100% como secuencia final, no es necesario presionar el botón Power Level.
2. Si desea saber el nivel de potencia, simplemente presione el botón Power Level. Siempre que presione el botón Power Level, el nivel de potencia aparecerá en pantalla.
3. Se puede programar continuamente la función Warm/ Hold incluso si se ha ajustado 4 secuencias de cocción.

## MAYOR O MENOR AJUSTE DE TIEMPO

Si descubre que prefiere alguno de los ajustes de SENSOR OPTIONS o COOKING (OPCIONES DE SENSOR O COCCIÓN) (excepto 15 Minute Dinners y Preset Recipes) ligeramente más cocidos, presione el botón Power Level una vez antes de presionar el botón Start/Touch On.

La pantalla mostrará MORE (MÁS).

Si descubre que prefiere alguno de los ajustes de SENSOR OPTIONS o COOKING (excepto 15 Minute Dinners y Preset Recipes) ligeramente menos cocidos, presione el botón Power Level dos veces antes de presionar el botón Start/Touch On.

La pantalla mostrará LESS (MENOS).

## HELP (AYUDA - BOTÓN CONTROL)

Help (Ayuda) le ofrece 5 funciones que facilitan el uso de su horno microondas ya que la pantalla interactiva le brinda instrucciones específicas.

### 1. TRABA PARA NIÑOS

La función Child Lock (Traba para niños) evita la operación no deseada del horno por parte de niños pequeños. El horno microondas puede ajustarse para que el panel de control se desactive o bloquee. Para ajustar, presione los botones Help, el número 1 y Start/Touch On. Si presiona un botón, CHILD LOCK aparecerá en la pantalla.

Para cancelar, presione los botones Help y Stop/Clear.

### 2. ELIMINACIÓN DE LA SEÑAL AUDIBLE

Si usted desea operar su horno microondas sin señales audibles, presione los botones Help, el número 2 y Stop/Clear.

Para cancelar y restaurar la señal audible, presione los botones Help, el número 2 y Start/Touch On.

### 3. INICIO AUTOMÁTICO

Si desea programar su horno microondas para empezar a cocinar automáticamente en un momento del día, siga este procedimiento:

# Otras Características Convenientes

- Imagine que quiere empezar a cocinar un estofado por 20 minutos al 50% a las 4:30. Antes de hacer el ajuste, compruebe que el reloj esté indicando la hora correcta del día.

1. Presione el botón Help.
2. Presione el número 3.
3. Para ingresar la hora de inicio a las 4:30, presione los números 4, 3 y 0.
4. Presione el botón Timer/Clock.
5. Para ingresar el programa de cocción, presione los números 2, 0, 0 y 0 para el tiempo de cocción y luego presione el botón Power Level 6 veces.
6. Presione el botón Start/Touch On.

### Nota:

1. Auto Start (Inicio Automático) puede utilizarse para cocción manual si se ha programado el reloj.
2. Si abre la puerta del horno microondas después de programar Auto Start, es necesario presionar el botón Start/Touch On para que la hora de Auto Start aparezca en la pantalla de lectura, con el fin de que el horno microondas empiece automáticamente la cocción programada a la hora elegida de Auto Start.
3. Asegúrese de elegir alimentos que puedan dejarse en el horno microondas con seguridad hasta que se cumpla la hora programada para Auto Start. La bellota o calabaza moscada son por lo general una buena elección.
4. Si desea saber la hora del día, presione simplemente el botón Clock. Siempre que presione el botón Clock, la hora del día aparecerá en la pantalla.

## 4. SELECCIÓN DEL IDIOMA/PESO

El horno microondas cuenta con ajustes en inglés y en las unidades-libras acostumbradas en los Estados Unidos. Para cambiar, presione los botones Help y el número 4. Continúe presionando el número 4 hasta seleccionar su elección de la tabla de abajo. Luego, presione el botón Start/Touch On.

Presione el número 4 para el idioma y estándar de peso.

PRESIONE NÚMERO 4	IDIOMA	ESTÁNDAR DE PESO	PANTALLA	
Una vez	English	LBS	ENGLISH	LB
Dos veces	English	KG	ENGLISH	KG
3 veces	Español	LBS	ESPAÑOL	LB
4 veces	Español	KG	ESPAÑOL	KG
5 veces	Francés	LBS	FRANCAIS	LB
6 veces	Francés	KG	FRANCAIS	KG

## 5. RELOJ ON/OFF (ENCENDIDO/APAGADO)

Si desea apagar el reloj de su pantalla, presione los botones Help, el número 5 y Stop/Clear.

Para cancelar y restaurar el reloj, presione los botones Help, el número 5 y Start/Touch On.

## TOUCH ON (TOCAR CONECTAR)

Touch On (Tocar conectar) le permite cocinar a una potencia al 100% presionando continuamente el botón Start/Touch. Touch On es ideal para fundir queso, calentar la leche por debajo de su punto de ebullición, etc. El tiempo máximo de cocción es 3 minutos.

- Imagine que desea fundir queso en un pedazo de tostada.

1. Presione continuamente el botón Start/Touch On. El tiempo de cocción empezará el conteo progresivo.
2. Cuando el queso esté fundido al grado deseado, retire su dedo del botón Start/Touch On. El horno microondas se detiene inmediatamente.

### Nota:

1. Anote el tiempo que toma para alimentos usados frecuentemente y programe ese tiempo en el futuro.
2. Presione el botón Start/Touch On dentro de los 3 minutos posteriores a la cocción, abriendo y cerrando la puerta o presionando el botón Stop/Clear.
3. Sólo se puede usar Tocar conectar 3 veces seguidas. Si se necesita más veces, abra y cierre la puerta o presione el botón Stop/Clear.

## TIMER (TEMPORIZADOR)

- Imagine que usted desea cronometrar una llamada telefónica de larga distancia de 3 minutos.

PROCEDIMIENTO	PANTALLA
1. Presione el botón Timer/Clock.	
2. Presione el botón número 1.	
3. Ingrese el tiempo. Presione el botón Timer/Clock. El temporizador irá en cuenta regresiva.	
4. Después de que el ciclo del temporizador termine, la pantalla indicará el siguiente mensaje.	

### Nota:

Para cancelar la función Timer durante la programación, presione el botón Stop/Clear.



# Otras Características Convenientes

## HELP (AYUDA - INDICADOR DE PANTALLA)

Cada ajuste de SENSOR OPTIONS le brinda una sugerencia de cocción. Si desea verificarlo, presione el botón HELP cuando éste se encienda en la pantalla interactiva para acceder a estas sugerencias.

## MODO DE DEMOSTRACIÓN

Para realizar una demostración, presione Timer/Clock, el número 0 y luego presione el botón Start/Touch On y mantenga por 3 segundos. DEMO ON DURING DEMO NO OVEN POWER (DEMOSTRACIÓN CONECTADA HORNO SIN POTENCIA DURANTE DEMOSTRACIÓN) aparecerá en la pantalla. Ahora puede demostrar las operaciones de cocción y las funciones especiales específicas sin potencia en el horno microondas. Por ejemplo, presione el botón Add A-Minute y la pantalla mostrará 1:00 e irá en cuenta regresiva rápidamente hasta END (FIN).

Para cancelar, presione los botones Timer/Clock, luego el número 0 y Stop/Clear. Si le resulta más fácil, desconecte el horno microondas del tomacorriente eléctrico y vuelva a conectarlo.

## AÑADA-UN-MINUTO

Add-A-Minute le permite cocinar por un minuto al 100% simplemente presionando el botón Add-A-Minute. También puede extender el tiempo de cocción en múltiplos de 1 minuto presionando repetidamente el botón Add-A-Minute durante la cocción manual.

- Imagine que usted desea calentar una taza de sopa por un minuto.  
Presione el botón Add-A-Minute.

### Nota:

1. Para utilizar Add-A-Minute, presione el botón dentro de 1 minuto después de la cocción, de cerrar la puerta, de presionar el botón Stop/Clear o durante la cocción.
2. Add-A-Minute no puede utilizarse con SENSOR OPTIONS, COOKING o Warm/Hold.

# Limpieza y cuidado

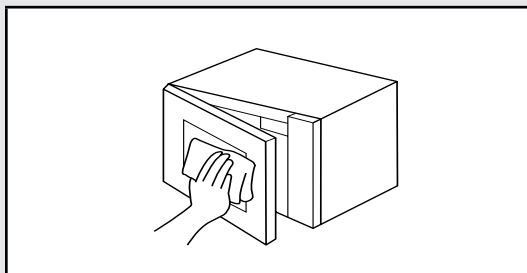
**Desconecte el cable de alimentación antes de la limpieza o deje la puerta abierta para desactivar el horno microondas durante la limpieza.**

## EXTERIOR

La superficie externa está pintada. Limpie el exterior con jabón suave y agua; enjuague y seque con un paño suave. No use ningún tipo de limpiador doméstico o abrasivo.

## PUERTA

Limpie cualquier salpicadura o derrame de la ventana por ambos lados con un paño húmedo. Las partes de metal son más fáciles de mantener si se limpian frecuentemente con un paño húmedo. Evite el uso de limpiadores con atomizadores o ásperos, ya que pueden manchar, vetear u opacar la superficie de la puerta.

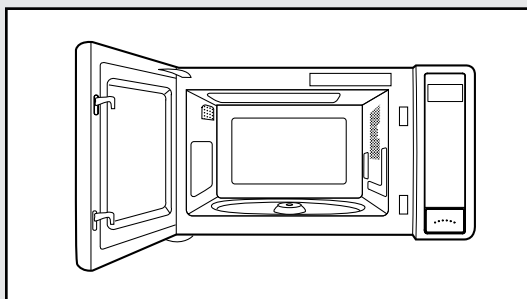


## PANEL DE CONTROL TÁCTIL

El panel de control táctil debe limpiarse con cuidado. Si el panel de control se ensucia, abra la puerta del horno microondas antes de limpiarlo. Limpie el panel con un paño humedecido ligeramente solo con agua. Seque con un paño suave. No restriegue ni use ningún tipo de limpiador químico. Cierre la puerta y presione el botón Stop/Clear.

## INTERIOR

La limpieza es fácil porque se genera poco calor en las superficies internas; por lo tanto, las salpicaduras o derrames no se hornean ni endurecen. Para limpiar las superficies internas, limpie con un paño suave y húmedo con agua tibia. **NO USE LIMPIADORES ABRASIVOS O ÁSPEROS O ESPONJILLAS DE FREGAR.** Para una suciedad más intensa, utilice bicarbonato de sodio o un jabón suave; enjuague cuidadosamente con agua caliente. **NUNCA ROCÍE DIRECTAMENTE LIMPIADORES PARA HORNO SOBRE NINGUNA PARTE DEL HORNO MICROONDAS.**



## CUBIERTA DE LA GUÍA DE ONDA

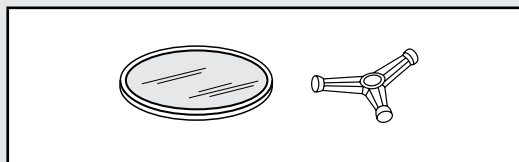
La cubierta de la guía de onda está hecha de mica de modo que requiere cuidado especial. Conserve limpia la cubierta de la guía de onda para asegurar un buen rendimiento del horno microondas. Limpie cuidadosamente con un paño humedecido cualquier salpicadura de alimento de la superficie de la cubierta inmediatamente después de que haya ocurrido. Las salpicaduras acumuladas pueden provocar sobrecalentamiento y ocasionar humo o posiblemente incendiarse. No retire la cubierta de la guía de onda.

## ELIMINACIÓN DE OLORES

Ocasionalmente, el olor de la cocción puede permanecer en el horno microondas. Para retirarlo, mezcle 1 taza de agua, el jugo de un limón y su cáscara rallada y varios clavos enteros en una taza de medida de vidrio con capacidad para dos tazas. Hierva por varios minutos utilizando la potencia al 100%. Deje reposar en el horno microondas hasta que enfríe. Limpie el interior con un paño suave.

## PLATO GIRATORIO/SOPORTE DEL PLATO GIRATORIO

El plato giratorio y el soporte del plato giratorio pueden ser retirados para una limpieza fácil. Lávelos en agua jabonosa suave; para manchas persistentes utilice un limpiador suave y una esponja de fregar no abrasiva. También son aptos para el lavaplatos. Utilice la rejilla superior del lavaplatos. El eje del motor del plato giratorio no está sellado, de modo que el agua en exceso o derrames deben ser limpiados inmediatamente.



# Especificaciones

Voltaje en línea de CA:	120V monofásico, 60Hz, sólo CA
Energía de CA requerida:	1,500 vatios, 13.0 amperios.
Potencia de salida:*	1,100 vatios
Frecuencia:	2,450 MHz
Dimensiones externas:	24" (ancho) x 13 3/8" (alto) x 19 1/4" (profundidad)
Dimensiones de la cavidad:	17 3/8" (ancho) x 10 1/2" (alto) x 18 5/8" (profundidad)
Capacidad del horno microondas:**	2.0 pies cúbicos (56.6 Litros)
Uniformidad de cocción:	Sistema de plato giratorio
Peso:	Aprox. 46 lb (20.9 kg)

\* La International Electrotechnical Commission estandarizó el método para medir el vatiaje (watts) de salida. Este método de prueba es ampliamente reconocido.

\*\* La capacidad interna se calcula midiendo el ancho, profundidad y altura máximas. La capacidad real para contener alimentos es menor.

Cumple con las normas establecidas por:

FCC – Autorizada por la Comisión Federal de Comunicaciones.

DHHS – Cumple con la norma del Departamento de Salud y Servicios Humanos (DHHS), CFR, Título 21, capítulo I, subcapítulo J.



– Este símbolo en la placa de identificación determina que el producto tiene la certificación de Underwriters Laboratories, Inc. para uso en EE.UU. o Canadá.

NHW – Departamento de Salud y Bienestar Nacional Canadá

Este horno está listado por la Canadian Standard Association, certificada.

# Revisión para solicitud de servicio

Revise lo siguiente antes de llamar para solicitar servicio:

Coloque en el horno microondas una taza de agua en una taza medidora de vidrio y cierre la puerta firmemente.

Opere el horno microondas por un minuto en HIGH 100%.

A ¿Se enciende la luz del horno microondas?

SÍ \_\_\_\_\_ NO \_\_\_\_\_

B ¿Funciona el ventilador de enfriamiento?  
(Coloque su mano en la ranura de ventilación posterior.)

SÍ \_\_\_\_\_ NO \_\_\_\_\_

C ¿El plato giratorio gira?  
(Es normal que el plato giratorio gire en cualquier dirección.)

SÍ \_\_\_\_\_ NO \_\_\_\_\_

D ¿El agua que está en el horno microondas está caliente?

SÍ \_\_\_\_\_ NO \_\_\_\_\_

Si respondió "NO" a cualquiera de las preguntas anteriores, por favor revise el tomacorriente eléctrico, la caja de fusibles y/o el interruptor del circuito. Si están funcionando correctamente, COMUNÍQUESE CON EL PERSONAL DE SERVICIO AUTORIZADO MÁS CERCANO.

Un horno microondas nunca debe ser reparado por una persona "no calificada".

**Nota:**

Si el tiempo que aparece en la pantalla está haciendo cuenta regresiva rápidamente, verifique el Modo de demostración en la página 29 y cancele.

# Garantía del Horno Microondas

## DOS AÑOS DE GARANTÍA COMPLETA

El horno microondas y todas las partes y accesorios del componente, excepto como se detalla a continuación\*, están garantizadas de no presentar materiales o mano de obra defectuosa en uso doméstico normal por un periodo de dos (2) años a partir de la fecha de compra original al por menor. Viking Range, LLC, garante, se compromete a reparar o reemplazar, a su elección, cualquier parte que falle o se encuentre defectuosa durante el periodo de garantía.

\*Los artículos de vidrio (incluyendo las bombillas), pintados y decorativos están garantizados de no presentar materiales o mano de obra defectuosa por un periodo de noventa (90) días a partir de la fecha de compra original al por menor. CUALQUIER DEFECTO DEBE SER INFORMADO AL DISTRIBUIDOR DE VENTA DENTRO DE LOS NOVENTA (90) DÍAS A PARTIR DE LA FECHA DE COMPRA ORIGINAL AL POR MENOR.

## GARANTÍA LIMITADA DE CINCO AÑOS

Si el tubo de magnetrón falla debido a materiales o mano de obra defectuosa en uso doméstico normal durante el segundo al quinto año a partir de la fecha de compra original al por menor, será reparado o reemplazado, sin cargo para dicha parte, pagando el propietario todos los demás gastos, incluyendo mano de obra.

Esta garantía se extiende al comprador original del producto que aquí se garantiza y a cada propietario cesionario del producto durante el plazo de la garantía.

Esta garantía se aplicará a los productos comprados y ubicados aquí en los Estados Unidos y Canadá. Los productos deberán ser adquiridos en el país donde se solicite el servicio. La mano de obra de garantía debe ser realizada por una agencia de servicio o representante autorizado de Viking Range, LLC. La garantía no se aplicará a daños que resulten de abuso, accidente, desastres naturales, pérdida de energía eléctrica para el producto por cualquier razón, alteración, uso al aire libre, instalación inadecuada, operación, reparación o servicio inadecuado del producto por alguien ajeno a una agencia de servicio o representante autorizado de Viking Range, LLC. Esta garantía no se aplica para uso comercial. El garante no se responsabiliza por daños resultantes o accidentales si surgen como resultado del incumplimiento de la garantía, incumplimiento del contrato, u otro. Algunas jurisdicciones no aceptan la exclusión o limitación de daños accidentales o resultantes, de modo que la limitación antes mencionada puede no aplicarse a usted.

El propietario debe ser responsable de una adecuada instalación, proporcionando un cuidado y mantenimiento normal, proporcionando el Comprobante de compra cuando se le solicite, y haciendo que el electrodoméstico esté razonablemente accesible para reparación. Si el producto o una de las partes del componente contienen un defecto o falla durante el periodo de garantía, después de un número razonable de intentos por parte del garante para remediar los defectos o fallas, el propietario tiene derecho a un reembolso o reemplazo del producto o de la parte o partes del componente. La responsabilidad del garante en cualquier reclamo de cualquier tipo, con respecto a los productos o servicios que aquí se cubren, no deberá en ningún caso exceder el precio de los productos o servicio de dicha parte que origine el reclamo.

**SERVICIO DE GARANTÍA:** Bajo los términos de esta garantía, el servicio debe ser realizado por un representante o agente de servicio de Viking Range, LLC autorizado por la fábrica. Se brindará el servicio durante las horas normales de oficina, y la mano de obra realizada en horas extras o tarifas premium no estarán cubiertas por esta garantía. Para obtener el servicio de garantía, comuníquese con el distribuidor al que le compró el producto, un agente de servicio autorizado de Viking Range, LLC, o con Viking Range, LLC. Proporcione el modelo y número de serie y la fecha de compra original. Para conocer el nombre de su agencia de servicio autorizada de Viking Range, LLC más cercana, llame al distribuidor al que le compró el producto o a Viking Range, LLC. **IMPORTANTE:** Conserve el comprobante de compra original para establecer el periodo de garantía.

La devolución de la Tarjeta de registro del propietario no es una condición de cobertura de la garantía. Sin embargo, debe devolver la Tarjeta de registro del propietario para que Viking Range, LLC pueda contactarse con usted en caso de surgir alguna pregunta o seguridad que pueda afectarlo.

Cualquier garantía implícita de comerciabilidad y adaptación aplicable a los elementos o partes descritas anteriormente está limitada en duración al periodo de cobertura de las garantías limitadas escritas expresas aplicables establecidas anteriormente. Algunas jurisdicciones no permiten limitaciones sobre cuánto tiempo dura una garantía implícita, de modo que la limitación antes mencionada puede no aplicarse a usted. Esta garantía le otorga derechos legales específicos y también puede tener otros derechos que pueden variar de jurisdicción en jurisdicción.

Viking Range, LLC  
111 Front Street  
Greenwood, Mississippi (MS) 38930 USA (888) 845-4641

Especificaciones sujetas a cambios sin previo aviso.  
Para más información del producto, llame al 1-888-845-4641  
o visite nuestro sitio Web en [vikingrange.com](http://vikingrange.com)





Viking Range, LLC  
111 Front Street  
Greenwood, Mississippi 38930 USA  
(662) 455-1200

Para información del producto  
llame al 1-888-845-4641  
o visite nuestro sitio Web  
en [vikingrange.com](http://vikingrange.com)