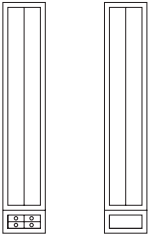


**400 Series Vario Downdraft**

Ventilation system

Stainless steel frame

Width 3 11/16" (9.3 cm)



For combination with remote blower unit GB 031-707.

**VL 431-707**

Control unit

**VL 430-707**

Expansion element

120V / 60Hz

**VL 431-707**

- Ventilation element integrated in the cooktop. The least conspicuous ventilation method around.

- Effective extraction at the countertop level. No breathing in cooking vapors. Keeps your head clear.

- More head room. Gives you more space over the cooktop area.

Downdraft ventilation system control unit for combination with Vario 400

Pro Series cooktops.

Two step power setting.

Automatic sealing flaps.

Stainless steel grease filter, dishwasher-safe.

Output control by soft-touch keys.

Time setting runs approximately 22 minutes on low speed with automatic shut-off.

Delayed shut-off in the 0 setting after 15 seconds.

**VL 430-707**

Cooktop air intake same as VL 431-..., but without controls. **Must be used with VL 431-707.**

Same features as above.

Can be combined with: VC 422, VF 411, VG 421, VR 421.

Do not use with VG 411-210 CA.

**Optional accessories:**

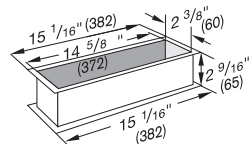
**AL 400-000** Finishing strip, when cooktop ventilator is installed as the last appliance in a combination. (Requires no cut-out space.)

**AS 070-000** Connection piece as

extension for installation with VF 411 or VK 411.

**LS 330-000** Air deflector required

for combination with gas cooktop VG 421 to prevent a flame which has been set to a low level from being extinguished.



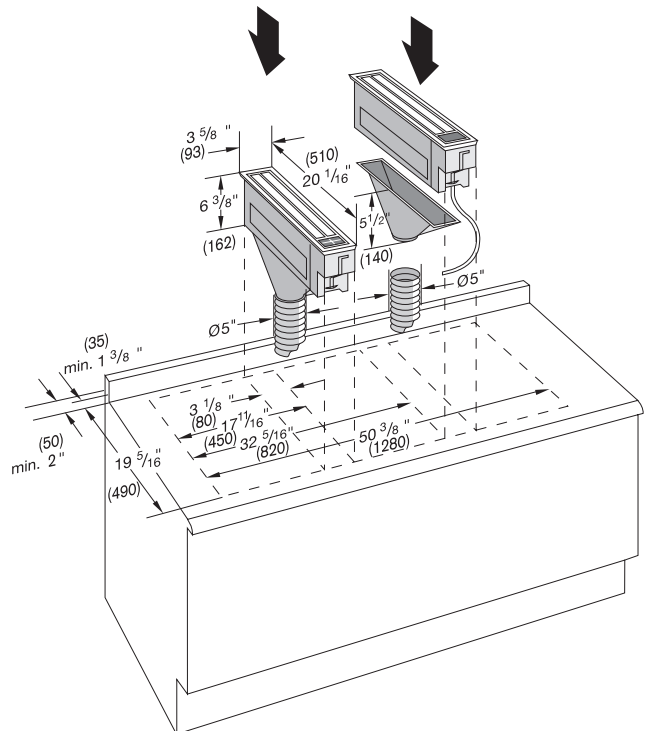
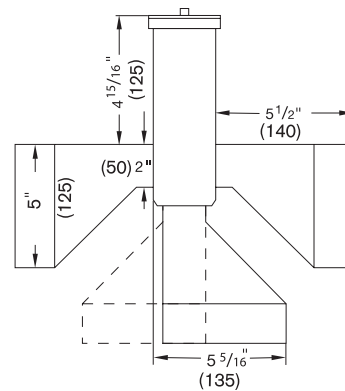
**Planning notes:**

**VL 430/431-707 must be installed with remote blower GB 031-707.**

Extraction through Ø 5" ducting to remote blower unit GB 031-707.

Combination of only 1 x VL 431 and 1 x VL 430 possible.

Unit comes with a standard 120V, 60Hz wall plug.



Numbers indicated inside parenthesis ( ) = mm