



VL414110
Vario downdraft ventilation 400 series
Stainless Steel
Vaentilation element.
Air extraction/recirculation with remote fan unit AR 400/401/413
Comes without blower and AA 490 control knob.

- Highly efficient ventilation system at cooktop level
- Up to 4 ventilation elements can be connected to one blower, operated by one AA 490 control knob. Control knob has to be ordered separately.
- Flexible power distribution, precise extraction of cooking vapors only at the open ventilation element.
- Precision crafting of 1/8-inch stainless steel
- For surface mount installation with a visible edge or for flush installation
- Can be perfectly combined with other Vario products of the 400 series
- Minimal planning and easy installation for air recirculation

Output

Maximum air output in combination with AR inline blower/ remote blower or recirculation kit. For CFM info, refer to the Models & Dimensions, Edition 2013. Noise level depends on the built-in situation.

Features

Ventilation flaps will open when manually pushed down. Closing element made of stainless steel, dishwasher-safe. Metal grease filter with grease dripping tray, dishwasher-safe. Sensor-controlled operation of the AR blower if at least one VL 414 downdraft unit is open. No duct connection pieces are included. Must order AD724040 transition to 5" round duct to vent downwards/to left or to the right side and AD724041 adaptor if venting to left or right side of VL 414 downdraft.

Planning notes

Depending on the type of installation - surface-/ or flush-mounted, with or without cover - the specific location of the control knob positions may vary. When using the appliance cover VA 440 or adjustment strip VA 450 additional space for cut-out depth needs to be considered. In a combination of Vario cooktops with at least one appliance cover, the adjustment strip VA 450 is required. In a combination of several Vario 400 series cooktops a connection strip must be used. Depending on the type of installation - surface-/ or flush-mounted, with or without cover - the respective VA 420 connecting strip must be used. For flush installation the edge height in the cut-out needs to be at least 1/2" and for surface-mount 3/8". Ensure a continuous cut surface of 90°. The weight capacity and stability, especially in case of thin countertops, must be supported using suitable substructures. Take the appliance weight and additional loads into account. Flush installation is possible in countertops made of stone, synthetics or solid wood. Heat resistance and watertight sealing of the edges must be observed. For other materials, please consult with your countertop manufacturer.

Color Variants
VL414110
Stainless Steel
Vaentilation element.

Product Features
Operating Mode Convertible: Ducted / Recirculating
Number of speed settings
Delay Shut off modes
Silence level (dBA)
Required accessories
Optional accessories AA414010
Number of lights
Bulb type
Total power of the lamps (W)
Grease filter material Washable stainless steel
Grease filter type Multilayer cassette
Clean filter reminders

Consumption and connection features
UPC code 825225901440
Material Stainless steel
Watts (W)
Current (A)
Volts (V)
Frequency (Hz) 50-60
Approval certificates CE, VDE
Power Cord Length (in)
Plug type
Overall appliance dimensions (width of canopy included) (HxWxD) (in) / x 4 5/16 " x 20 15/32 "
Product packaging dimensions (HxWxD) (in) 6.69 x 15.35 x 23.22
Height of the chimney (in)
Vertical rise height
Required distance above cooktop/range cooking surface
Net weight (lbs) 9
Gross weight (lbs) 15
Adjustable feet
Motor location without motor
Maximum CFM
Diameter of air duct (in) top
Diameter of air duct (in) back
Discharge direction downward
No-return airflow flap No

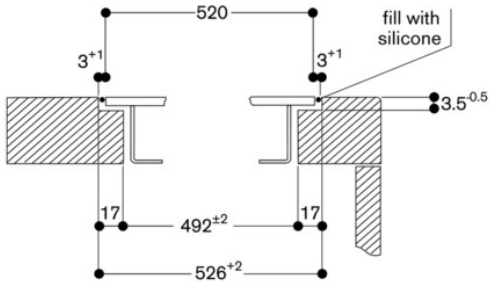
2013-11-05
Page 1

The groove must be continuous and even, so that uniform placing of the appliance on the gasket is ensured. Do not use discontinuous lining. The joint width may vary due to size tolerances of the combinations and of the countertop cut-out. If installing several Vario products in individual cut-outs allow for a minimum distance of 2" inbetween the cooktops. Air extraction operation in combination with AR 400/401 remote/inline blower or recirculation mode with AR 413. Please refer to page xxx for recommended configurations of downdraft ventilations and remote fan units and the needed ducting elements. Maximum cooktop width between two VL downdraft elements is 24". If used next to gas cooktops, the air deflector AA414010 is recommended to ensure maximum performance of the cooktop. No duct connection pieces are included, they must be ordered separately. Either AD724040 transition to 5" round duct to connect to bottom/left/right side of VL and AD724041 transition if connecting duct to left or right side of VL downdraft. When connecting 2 VL downdrafts, 2x 5" round ducts are required to connect to one of the AR blowers. Note: when connecting 2 VL downdrafts with AR 401 740 remote blower, an Y-adaptor is required (can be purchased at local hardware store). When connecting 3 or 4 VL downdrafts, only AR400740 inline blower can be used. Please ensure when installing the exhaust air ducting that no sharp bends are caused and that the cross-section of the ducting is not constricted in any way. This can have an impact on the blower performance. Appliance can be snapped into the countertop from above. Additional fixing by clamps that are accessible from the top, clamping range from 1 3/16" to 1 15/16".

Rating
Plan for a 6.6' connection cable between VL 414 downdraft and AA 490 control knob.

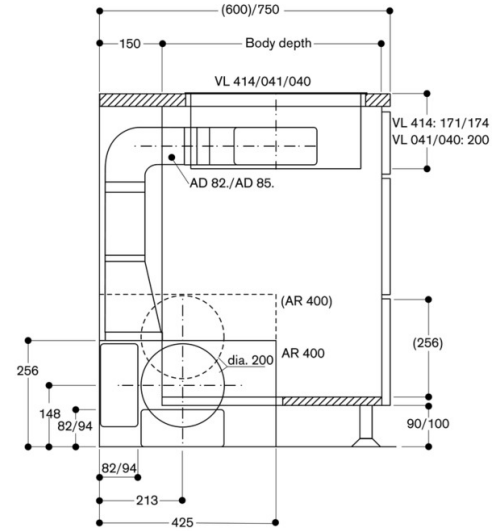
VL414110
 Vario downdraft ventilation 400 series
 Stainless Steel
 Vaentilation element.
 Air extraction/recirculation with remote fan unit AR 400/401/413
 Comes without blower and AA 490 control knob.
 2013-11-05
 Page 2

Cross-section

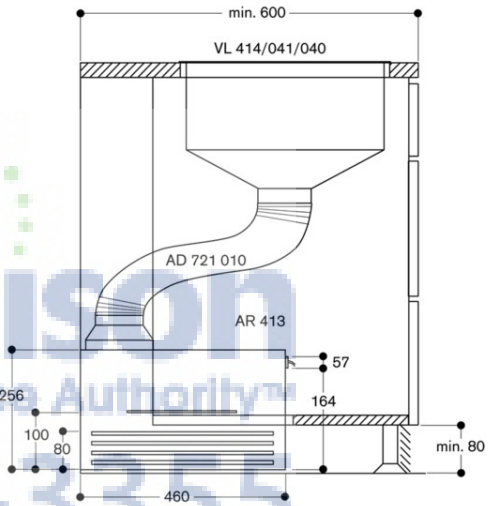


For installation with appliance cover or adjustment bar, observe the deeper notch and the slot width front and back.

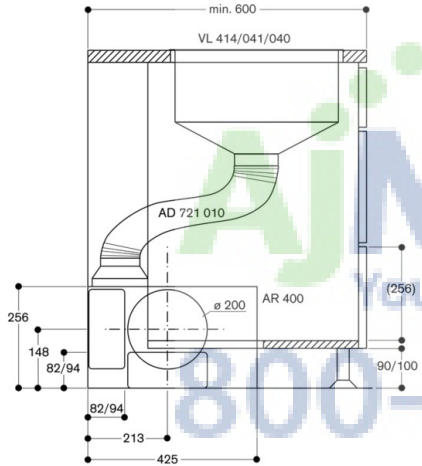
Connection VL to AR 400 with flat duct NW 125/150



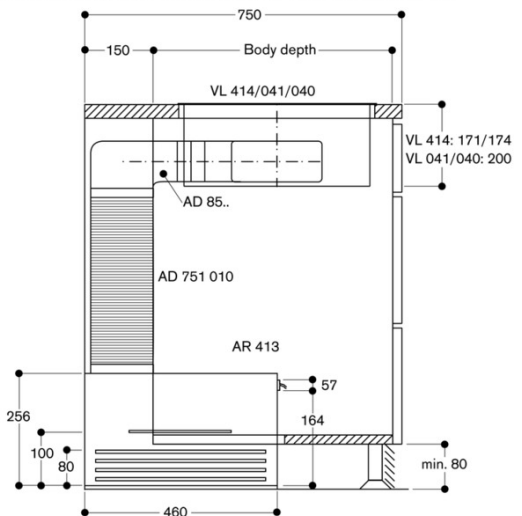
Connection VL to AR 413 with alu flex tube NW 125



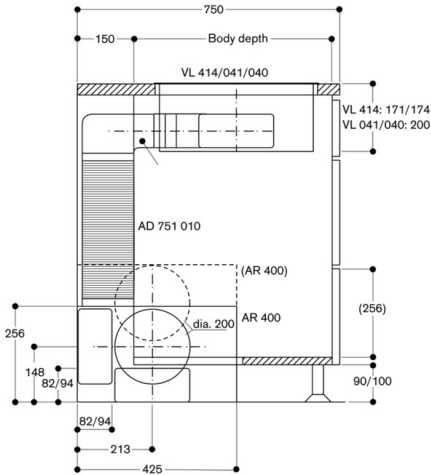
Connection VL to AR 400 with alu flex tube NW 125



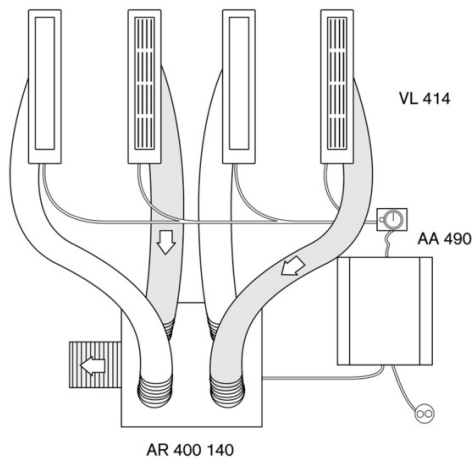
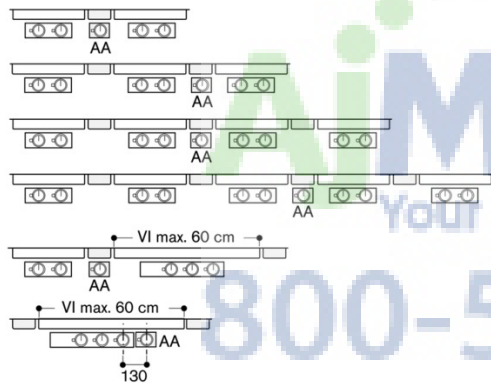
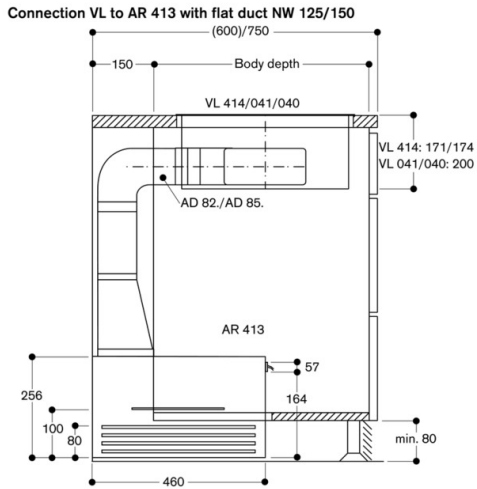
Connection VL to AR 413 with flat duct + alu flex tube NW 150



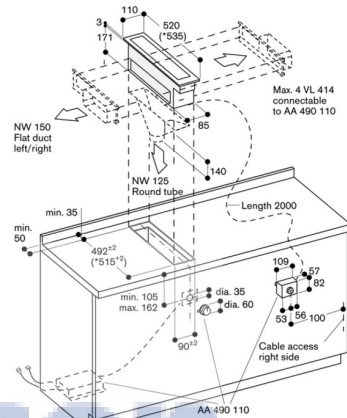
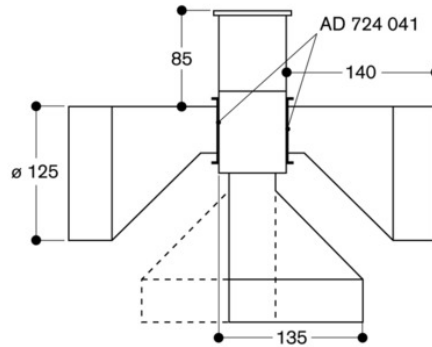
Connection VL to AR 400 with flat duct + alu flex tube NW 150



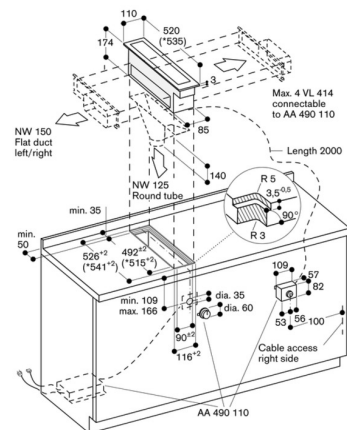
VL414110
 Vario downdraft ventilation 400 series
 Stainless Steel
 Vaentilation element.
 Air extraction/recirculation with remote fan unit AR 400/401/413
 Comes without blower and AA 490 control knob.
 2013-11-05
 Page 3



VL 414 with AD 724 040/041



* with compensating strip
 flat duct pipe connection left/right
 NW 150 with AD 854 046
 round duct pipe connection lower
 NW 125 with AD 724 040
 round duct pipe connection left/right
 NW 125 with AD 724 040 + AD 724 041
 observe separate planning notes for
 - control knob positioning
 - configuration for flexible performance distribution

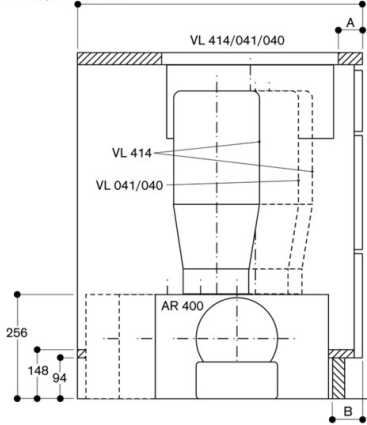


* with compensating strip
 flat duct pipe connection left/right
 NW 150 with AD 854 046
 round duct pipe connection lower
 NW 125 with AD 724 040
 round duct pipe connection left/right
 NW 125 with AD 724 040 + AD 724 041
 observe separate planning notes for
 - control knob positioning
 - configuration for flexible performance distribution

VL414110
 Vario downdraft ventilation 400 series
 Stainless Steel
 Vaentilation element.
 Air extraction/recirculation with remote fan unit AR 400/401/413
 Comes without blower and AA 490 control knob.
 2013-11-05
 Page 4

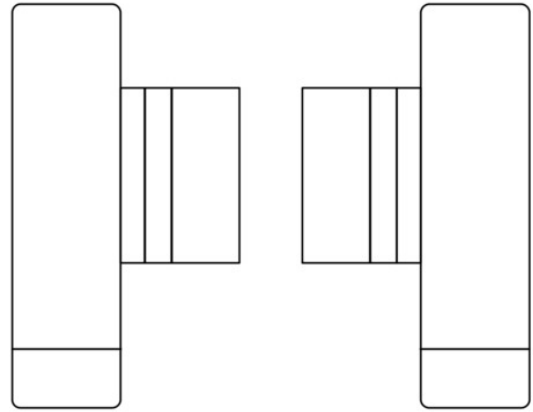
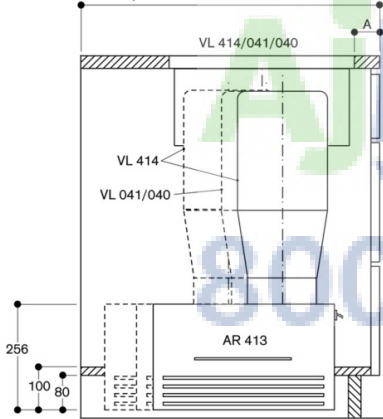
Connect VL to AR 400 with flat duct NW 150 for maximum output

VL 414: 600/750 depending on front distance A and base dimension B
 VL 041/040: min. 650

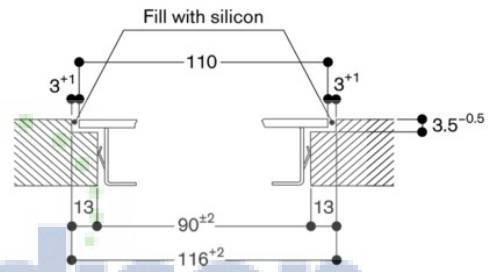


Connect VL to AR 413 with flat duct NW 150 for maximum output

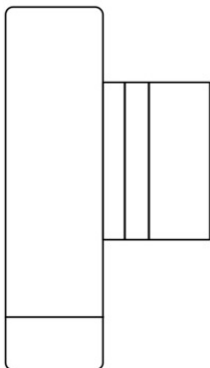
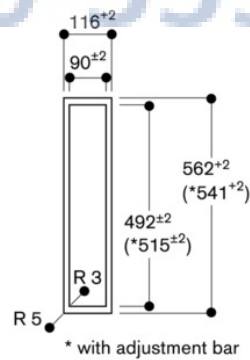
VL 414: 600/750 depending on front distance A
 VL 041/040: 650 with A max. 50



Longitudinal section

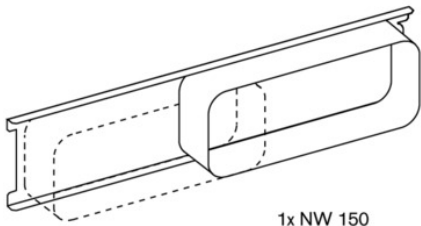


View from above

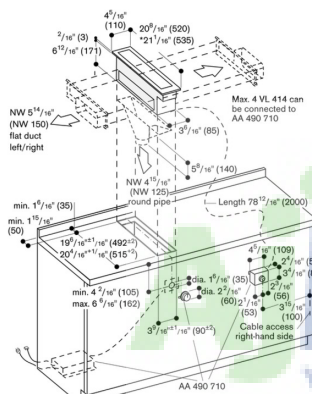


VL414110
 Vario downdraft ventilation 400 series
 Stainless Steel
 Ventilation element.
 Air extraction/recirculation with remote fan unit AR 400/401/413
 Comes without blower and AA 490 control knob.
 2013-11-05
 Page 5

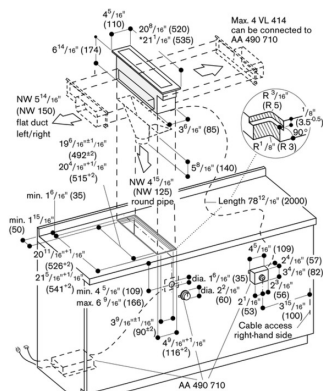
AD 854 046



1x NW 150
 variably mountable

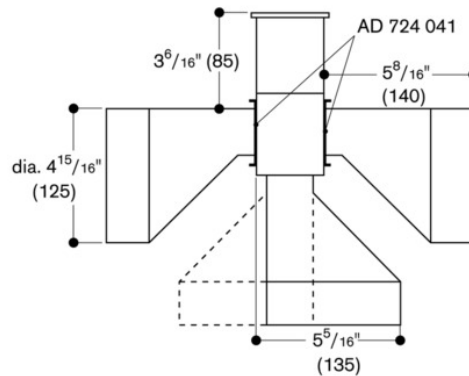


* with spacer batten
 Flat duct pipe connection left/right
 NW 150 with AD 854 046
 Circular duct pipe connection, bottom
 NW 125 with AD 724 040
 Circular duct pipe connection left/right
 NW 125 with AD 724 040 + AD 724 041
 See separate planning notes for
 - positioning of control knob
 - configuration for flexible power distribution

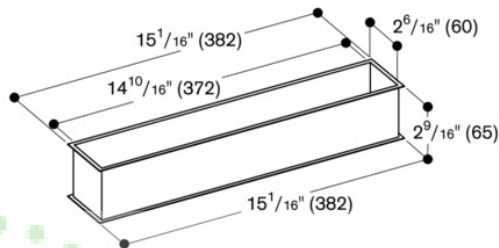


* with spacer batten
 Flat duct pipe connection left/right
 NW 150 with AD 854 046
 Circular duct pipe connection, bottom
 NW 125 with AD 724 040
 Circular duct pipe connection left/right
 NW 125 with AD 724 040 + AD 724 041
 See separate planning notes for
 - positioning of control knob
 - configuration for flexible power distribution

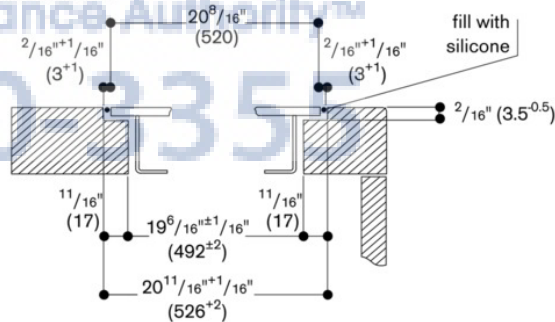
VL 414 with AD 724 040/041



AS 070 000



Cross-section



When installing with appliance cover or spacer batten, pay attention to the deeper cut-out and the front and rear groove width.

VL414110

Vario downdraft ventilation 400 series

Stainless Steel

Vaentilation element.

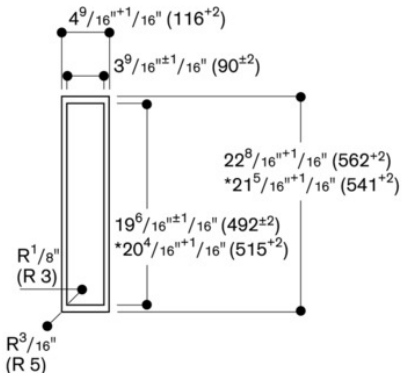
Air extraction/recirculation with remote fan unit AR 400/401/413

Comes without blower and AA 490 control knob.

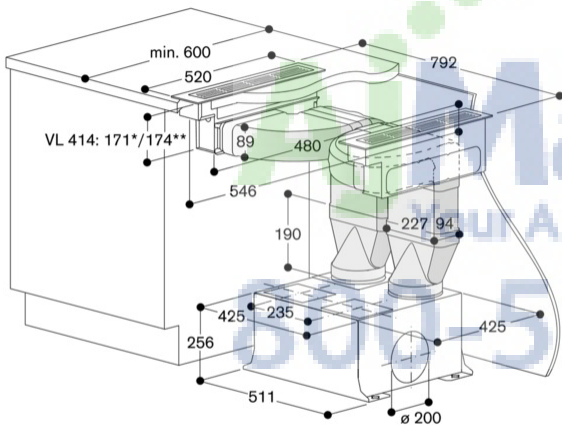
2013-11-05

Page 6

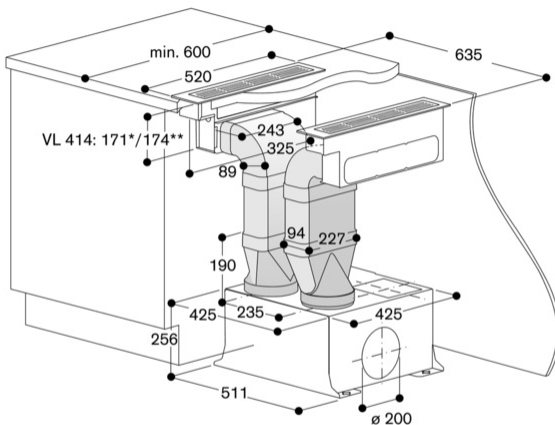
View from above



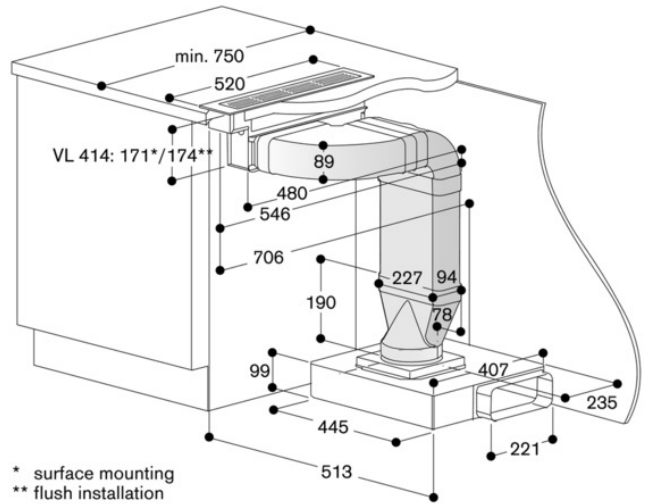
* With spacer batten



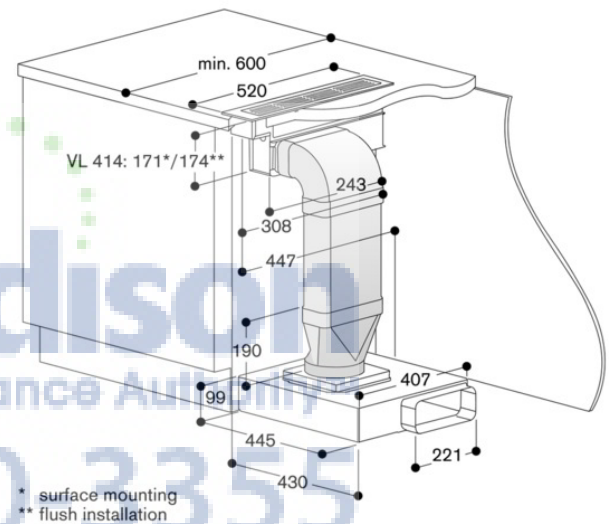
* surface mounting
** flush installation



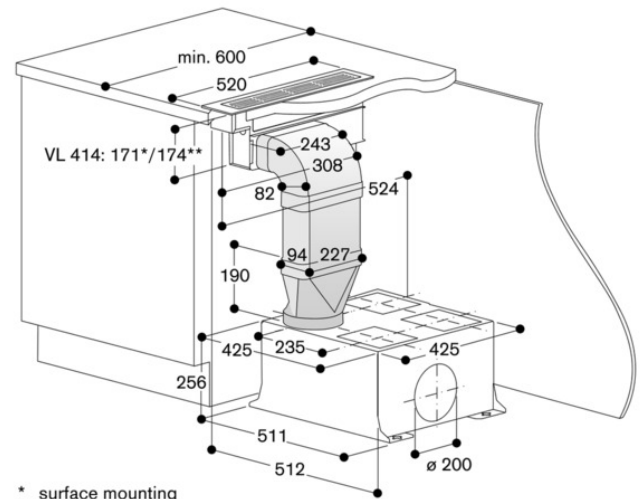
* surface mounting
** flush installation



* surface mounting
** flush installation



* surface mounting
** flush installation



* surface mounting
** flush installation

VL414110

Vario downdraft ventilation 400 series

Stainless Steel

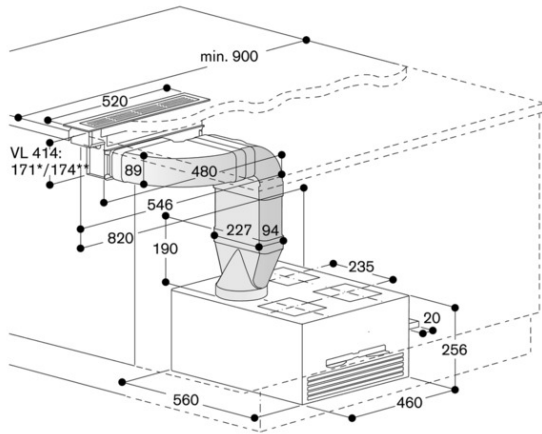
Vaentilation element.

Air extraction/recirculation with remote fan unit AR 400/401/413

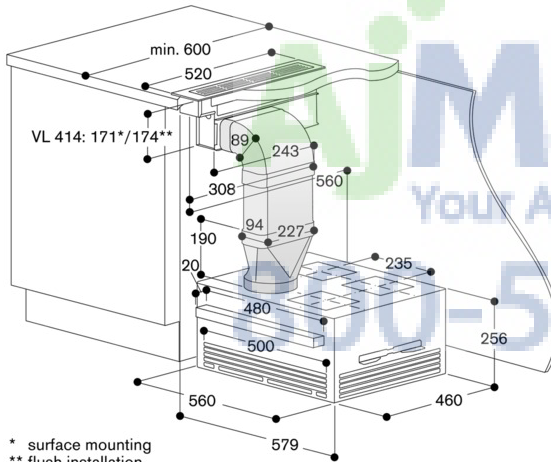
Comes without blower and AA 490 control knob.

2013-11-05

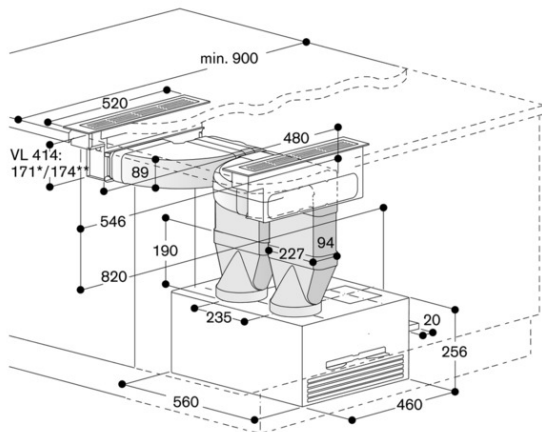
Page 7



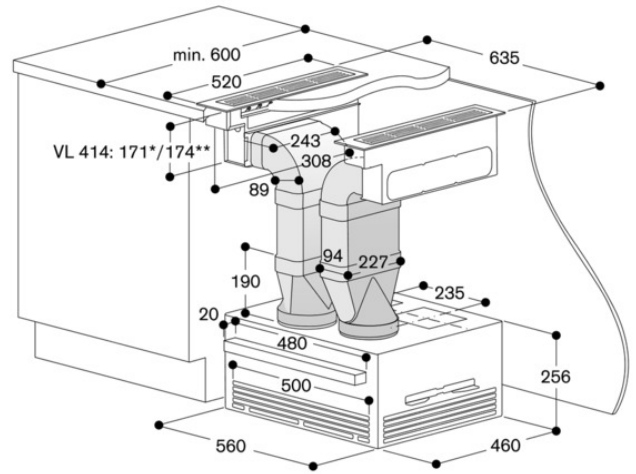
* surface mounting
** flush installation



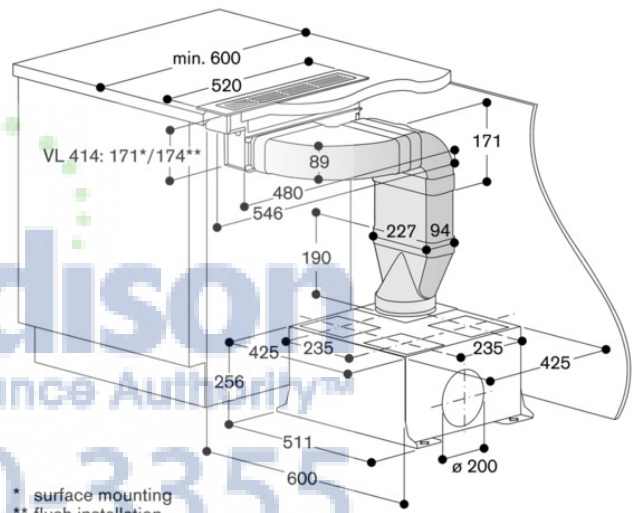
* surface mounting
** flush installation



* surface mounting
** flush installation



* surface mounting
** flush installation



* surface mounting
** flush installation