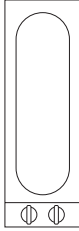


**200 Series Vario Telescopic Swivel  
Downdraft Ventilation system**  
Stainless steel with aluminum  
control panel  
Width 6 11/16" (17 cm)



For combination with the fan  
unit GB 031-707.

**VL 051-707**

120V / 60Hz

**VL 051-707**

– Ventilation element raises out of  
the cooktop. The most spectacular  
ventilation method around.

– Effective extraction at the  
countertop level. Your head  
will stay free of cooking vapors  
as well.

– More head room. Gives you  
more space over the cooking area.

Power controlled by 3-stage  
switch.

10 minute after-running mode  
on setting 1.

Grease filter saturation display.

Stainless steel grease filter,  
dishwasher-safe.

Sensor anti-trap protection.

Child safety lock.

Ventilation element for installation  
between two cooktops or special  
built-in appliances with integrated  
control panel.

Especially recommended between  
glass ceramic cooktop and barbe-  
cue grill, deep fryer or steamer.

Automatically rises to grilling  
position (2 1/4" above cooktop)  
and cooking position (15 3/4"  
above cooktop).

Infinitely variable height  
adjustment between the high  
and low positions by control.

In the cooking position, the arm  
can be swivelled manually by  
± 90° swiveled.

When the VL 051 is switched to the  
descent mode, the swivel arm  
automatically returns to the  
middle position.

5" pipe connection.

**Optional accessories:**

**VV 200-000 Connecting strip**

for combination with other  
appliances with integrated  
control panels.

**Planning notes:**

Minimum countertop height 36".

Recess the base area in the  
base cabinet underneath the VL  
(see sketch).

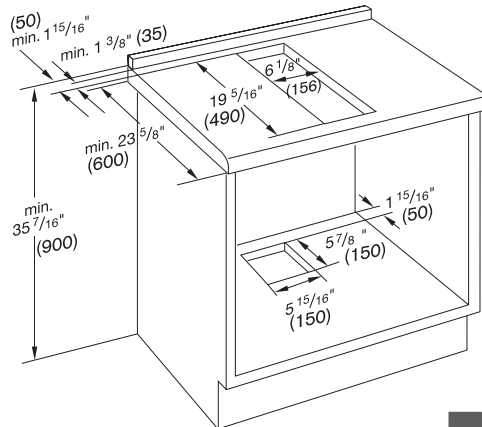
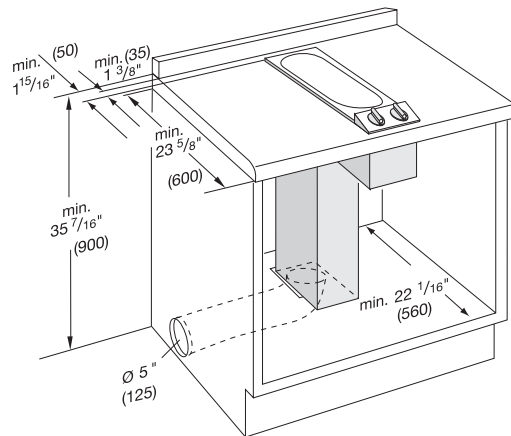
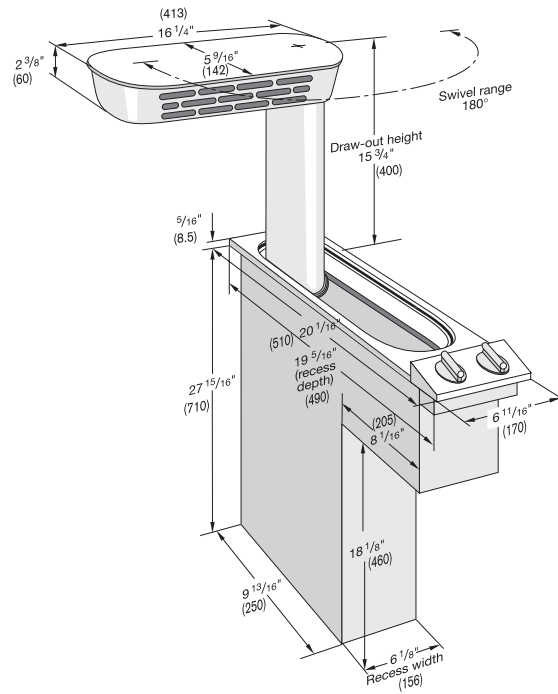
For combination with remote  
blower GB 031-707.

Plan an Aluflex exhaust air pipe,  
Ø 5", to the remote fan motor.

**Do not install next to wok VG 231.**

Not for installation in the area of  
drawers. Observe the maximum  
extending height of 15 3/4" swivel  
range ± 90° in this position.  
Limit the swivel range above gas  
appliances (VG, KG).

See installation specifications for  
details. Length of connecting  
cable with plug: 30".



Numbers indicated  
inside parenthesis ( ) = mm

