

Operating and assembly instructions

VL 051-707

Automatically extendible hob ventilator



GAGGENAU

Preface

Safety notes Page 3

1. Important notes Page 4-5

1.1 For your safety Page 4

1.2 Operating for the first time Page 5

1.3 About use Page 5

2. Structure and operating principle Page 6

2.1 Structure of the appliance Page 6

2.2 Control panel Page 6

2.3 Accessories Page 6

3. Operation Page 7

4. Cleaning and care Page 8-9

5. Maintenance Page 10

6. Assembly instructions Page 11-15

6.1 Technical data Page 11

6.2 Important notes Page 11-12

6.3 Electrical connection Page 13

6.4 Installation Page 14-15

Preface



With your new hob ventilator, working in the kitchen will be even more fun.

The appliance offers you the following **advantages:**

- Kitchen vapours and fats are sucked away directly where they arise.
- The advantages of a hob ventilator are combined with those of a single-point extractor.

To ensure that you will be able to use this appliance in all its diversity, read through the operating and assembly instructions conscientiously **before operating it for the first time**. The instructions contain **important notes** on use, installation and maintenance of the appliance.

On the following page you will find **important notes on safety and operation**. These will serve to ensure your personal safety and the lasting value of your appliance.

You will find notes on Page 5 that you ought to observe **before operating the appliance for the first time**.

The chapter entitled **“Cleaning and care”** will make sure that your appliance will stay operable and beautiful for a long time.

And now we wish you lots of fun with your new hob ventilator.

Fig. 1

Safety notes

Read And Save These Instructions.

WARNING - TO REDUCE THE RISK OF FIRE, ELECTRIC SHOCK, OR INJURY TO PERSONS, OBSERVE THE FOLLOWING:

- a.) Use this unit only in manner intended by the manufacturer. If you have questions, contact the manufacturer.
- b.) Before servicing or cleaning unit, switch power off at service panel and lock the service disconnecting means to prevent power from being switched on accidentally. When the service disconnecting means cannot be locked, securely fasten a prominent warning device, such as a tag, to the service panel..

CAUTION:

DO NOT STORE ITEMS OF INTEREST TO CHILDREN IN CABINETS ABOVE A RANGE. CHILDREN CLIMBING ON THE APPLIANCE TO REACH ITEMS COULD BE SERIOUSLY INJURED.

CAUTION:

FOR GENERAL VENTILATION USE ONLY. DO NOT USE TO EXHAUST HAZARDOUS OR EXPLOSIVE MATERIALS AND VAPORS.

WARNING - TO REDUCE THE RISK OF A RANGE TOP GREASE FIRE.

- a.) Never leave surface units unattended at high settings. Boilovers cause smoking and greasy spillovers that may ignite. Heat oils slowly on low or medium settings.
- b.) Always turn hood ON when cooking at high heat or when cooking flaming foods.

- c.) Clean ventilating fans frequently. Grease should not be allowed to accumulate on fan or filter.
- d.) Use proper pan size. Always use cookware appropriate for the size of the surface element.

WARNING - TO REDUCE THE RISK OF INJURY TO PERSONS IN THE EVENT OF A RANGE TOP GREASE FIRE, OBSERVE THE FOLLOWING:

- a.) SMOTHER FLAMES with a close-fitting lid, cookie sheet, or metal tray, then turn off the burner. BE CAREFUL TO PREVENT BURNS. If the flames do not go out immediately, EVACUATE AND CALL THE FIRE DEPARTMENT.
- b.) NEVER PICK UP A FLAMING PAN - You may be burned.
- c.) DO NOT USE WATER, including wet dishcloth or towels - a violent steam explosion will result.
- d.) Use an extinguisher ONLY if:
 1. You know you have Class ABC extinguisher, and you already know how to operate it.
 2. The fire is small and contained in the area where it started.
 3. The fire department is being called.
 4. You can fight the fire with your back to an exit.

When children become old enough to operate the appliance, it is the legal responsibility of the parents or legal guardians to ensure that they are instructed in safe practices by qualified persons.

1. Important notes

1.1 For your safety

Damaged appliances must not be operated.

The appliance must only be connected by an **authorised specialist**, paying attention to the relevant regulations of the power supply companies and the regional construction regulations.

Also observe the assembly instructions!

Connecting cables must not come into contact with hot cooking surfaces.

Hazardous or explosive substances and vapours must not be extracted!

The user is responsible for expert use and the perfect condition of the appliance.

Never operate the appliance **without a grease filter**.

Only ever operate the appliance under supervision. The appliance is intended solely for use in the household and must not be put to any other uses.

Do not place any objects on the appliance; this will have a detrimental effect on functioning. Do not place any objects under the swivel arm when it is extended. Make sure that there are no obstacles in the **swivel and entry range**.

Do not clean the appliance with a steam cleaning apparatus or with water pressure because this poses a **risk of short-circuits**.

Isolate the appliance from the mains during **every maintenance operation**. To do this, remove the mains plug or actuate the corresponding fuse. If the mains plug is not accessible, the appliance must be deenergised by means of the domestic installation fuse.

In the event of **malfunctions**, first of all check the household fuses. If the malfunction has nothing to do with the power supply, please contact your

specialist dealer or your responsible Gaggenau after-sales service. **Repairs** must be carried out by authorised specialists, thus ensuring electrical safety.

After a power failure, the hob ventilator will not switch on automatically, but must be reset instead by any operator action.

When operated next to gas appliances, the **swivel arm** must be extended at least to the **top edge of the pan** as otherwise the flame of the gas burner will be impaired. **Gas appliances** may only be used next to a hob ventilator when pots and pans are placed on them! **Please note that a wok must not be installed next to a hob ventilator.**

No warranty claims can be lodged **in the event of damage** caused by failure to observe these instructions.

Caution! Over-greased filters are a fire risk! Only ever deep-fry under the extractor under constant supervision. Pay attention to cleaning the grease filter on a regular basis.

Fire risk! It is not permitted to flambé meals next to a hob ventilator that is in operation.

You may only ever use a grill or a deep fryer at the same time as the hob ventilator if it is under constant **supervision**. This will involve a fire risk!

When the ventilator is installed next to gas appliances, swivelling of the boom in the direction of the gas must be prevented by an additionally fitted pin (see assembly instructions).

Caution! The appliance may get very hot! Risk of burns!

Technical modifications reserved.

1.2 Operating for the first time

Before operating the appliance for the first time, please pay attention to the following notes:

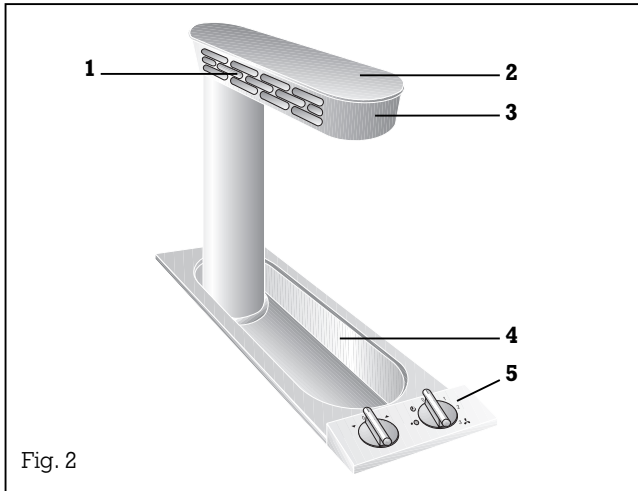
- **Conscientiously** read through the operating and assembly instructions before operating the appliance for the first time.
- **The rating plate** for this appliance is included with the instructions on a separate sheet. Store the rating plate in the same location as your operating and assembly instructions. You need the rating plate for possible damage and warranty cases.
- **Remove the packaging** from the appliance and dispose of it properly.
Pay attention to the fact that there are accessories in the packaging.
Keep packaging elements out of the reach of children!
- **Thoroughly clean** the appliance before using it for the first time. (see chapter entitled “Cleaning and care”)
- **Before operating** the appliance for the first time, check that the mains connection is in proper working order.

1.3 About use

- Do **not** pour **any liquids** into the tub!
If liquid should have inadvertently penetrated into the tub, wipe it out immediately.
- If the swivel arm gets soiled during operation, clean it **before moving it in**.

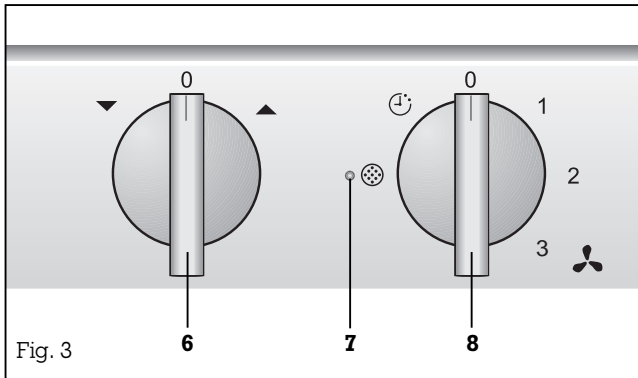
2. Structure and operating principle

2.1 Structure of the appliance



- 1 Grease filter
- 2 Lid
- 3 Swivel arm
- 4 Tub
- 5 Control panel

2.2 Control panel



- 6 "Height adjustment" control knob
- 7 Grease filter pilot lamp
- 8 "Power level" control knob with the positions 0, 1, 2, 3, after-running stage and grease filter indication

2.3 Accessories

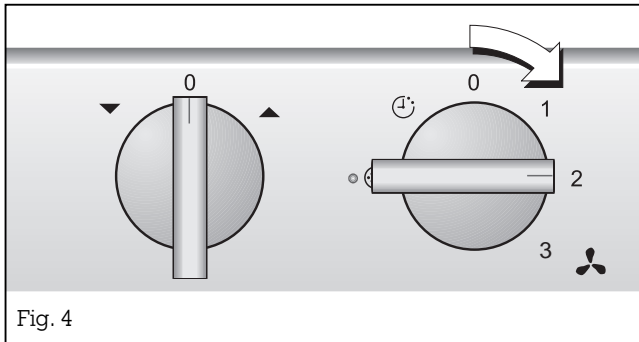
You can order the following **special accessories**:

VV 200-000: connecting trim

AS 081-051: attachment plate for GB 031

AS 090-051: 2 deflectors for installation with flat duct

3. Operation



Switching on

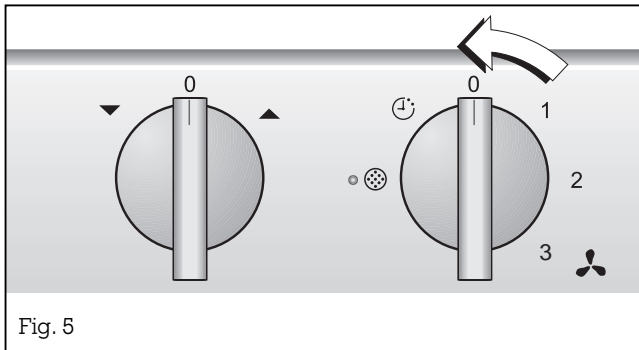
- Turn the “Power level” control knob to the required position on the right.

The boom moves automatically to the frying position, and it can then be extended continuously up to its fully extended position (cooking position) by turning the “Height adjustment” knob.

You can also extend the boom to the required position before switching on the appliance.

In the cooking position (height 100-410 mm / $3^{15/16}$ "- $16^{1/8}$ "), the boom can be swivelled manually; its swivel radius depends on its height when extended.

If the swivel arm is extended without an output level having been set, as from the roasting position the connected fan module automatically runs at a basic level.



Switching off

- Turn the “Power level” control knob to the 0 position on the left.
- Turn the “Height adjustment” knob to the left to retract the boom. The boom turns automatically to its defined starting position in the trough.

After-running

- Turn the control knob to the left to the ☺ (After-running) position. The hob ventilator continues to run at stage 1 for 10 minutes.
- Turn the control knob to the 0 position if you wish to prematurely end the after-running time.

Holiday protection

- The appliance switches itself off four hours after the last operator action. It can be reset by any operator input.

4. Cleaning and care

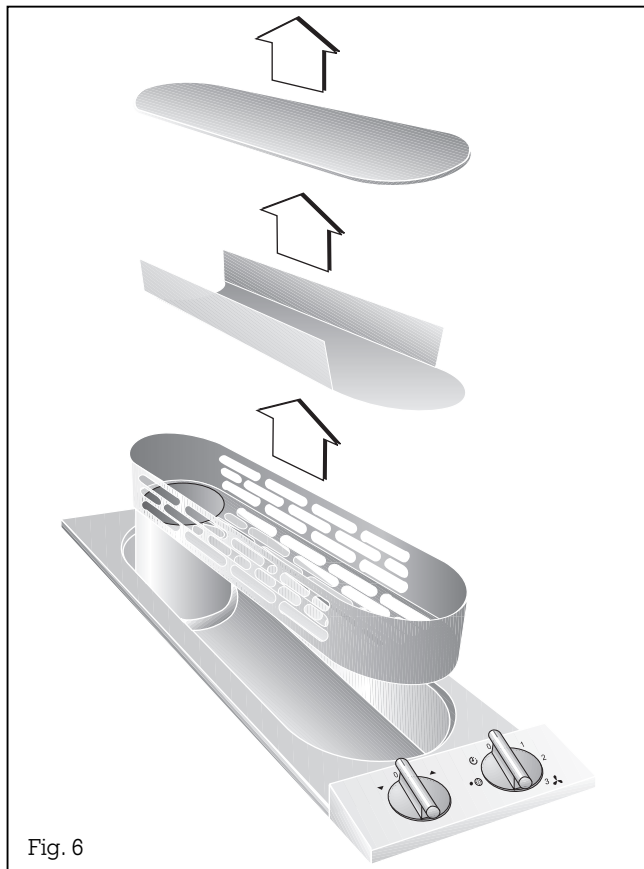


Fig. 6

Caution:

Avoid sharp and caustic cleaning agents as well as brushes and abrasive cleaners.

Clean the **stainless steel** tub with mild rinsing detergent and apply stainless steel care agent to the metal surfaces using a soft cloth.

Only clean the **switch panel** with a soft cloth. Do not use any cleaning agent as it might be aggressive to the inscription markings.

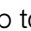
Grease filter cleaning

The grease filter indication symbol lights up on the operating panel after around 30 hours of operation. Illumination of this symbol signals to you that the grease filters have to be cleaned.

You can clean the metal grease filters in a dishwasher at a maximum temperature of 65 °C / 150 °F. To do this, place the grease filters in the dishwasher in such a way that it is cleaned completely.

Clean the the grease filter at least once a month.

Proceed as follows:

- Turn the "Height adjustment" control knob to the right to extend the boom slightly. By doing so, you can detach the cover easily.
- Detach the cover.
- Turn the two retaining wires up and remove the grease filter from the appliance.
- Turn the control knob to the position  (grease filter indication). This resets the operating time.

Insert in the reverse order.

Caution!

Only clean the grease filter after the appliance has cooled down.

Swivel arm cleaning

If the swivel arm gets very dirty, it can be dismantled for cleaning. You can clean the swivel arm in a dishwasher at a maximum temperature of 65 °C / 150 °F .

Proceed as follows:

- Turn the "Height adjustment" control knob to the right to extend the boom slightly. By doing so, you can detach the cover easily.
- Detach the cover.
- Turn up the two retaining clips and remove the grease filter from the appliance.
- Place the two included protective covers on the tube opening to make sure that no small parts will fall into the suction pipe.
- Using a suitable tool, undo the 3 cap nuts.
- Remove the protective cover.

Insert in the reverse order.

Caution!

Only clean the swivel arm after the appliance has cooled down.

5. Maintenance

The appliance must be disconnected from the power supply during all repair work.

If the appliance does not function correctly, check the fuses first.

If the power supply is functioning correctly, but your appliance still does not work, please contact your **Gaggenau dealer** who will provide you with the address and telephone number of your nearest manufacturer's authorized service agent or contact **Gaggenau USA on (800) 828-9165**. Specify the appliance type (see rating plate).

Repairs may only be carried out by **authorised technicians**, in order to guarantee the safety of the appliance.

Unauthorised tampering with the appliance will invalidate any warranty claims.

Only ever use original spare parts.

6. Assembly instructions

6.1 Technical data

Rating: 300 W

Weight: 19 kg

A fan module is needed for suction extraction.

Technical modifications reserved.

6.2 Important notes

WARNING - TO REDUCE THE RISK OF FIRE, ELECTRIC SHOCK, OR INJURY TO PERSONS, OBSERVE THE FOLLOWING:

- a.) Installation work and electrical wiring must be done by qualified person(s) in accordance with all applicable codes and standards, including fire-rated construction.
- b.) Sufficient air is needed for proper combustion and exhausting of gases through the flue (chimney) of fuel burning equipment to prevent back drafting. Follow the heating equipment manufacturer's guideline and safety standards such as those published by the National Fire Protection Association (NFPA), and the American Society for Heating, Refrigeration and Air Conditioning (ASHRAE), and the local code authorities.
- c.) When cutting or drilling into wall or ceiling, do not damage electrical wiring and other hidden utilities.
- d.) Ducted fans must always be vented to the outdoors.
- e.) If this unit is to be installed over a tub or shower, it must be marked as appropriate for the application and be connected to a GFCI (Ground Fault Circuit Interrupter) - protected branch circuit.
- f.) NEVER place a switch where it can be reached from a tub or shower.

WARNING:

To reduce the risk of fire, use only metal ductwork.

The appliance must only be connected by an **authorised specialist**. The specialist is responsible for perfect functioning of the appliance at its installation location. He must explain the operating principle of the appliance to the user with reference to the operating instructions. He must explain to the user how the appliance can be isolated from the mains whenever required.

The exhaust air can be routed into a ventilation shaft or directly into the open through the outside wall. Adequate incoming air must be ensured whenever the hob ventilator is operated in the exhaust air mode and firing systems dependent on a chimney are operated at the same time.

It is not allowed to pass the exhaust air into a flue or exhaust air chimney that is in operation or into a shaft that is linked to the heating basement. Consult the chimney sweep responsible for your district whenever you wish to pass the exhaust air into a chimney that is not in operation.

During the course of planning, a chimney sweep must be consulted if a **room air-dependent hearth** is operated in the same room as the one in which a hob ventilator is operated in the exhaust air mode. Adequate incoming air must be ensured. The applicable construction and safety regulations must be observed.

Adequate **incoming air** must be ensured if a wood, coal, gas or oil heater or an open hearth is operated in the same room as the one in which the wall hood is installed.

Adequate ventilation of the room must be ensured whenever a hob ventilator is operated simultaneously with devices that are operated with non-electrical energy. Official regulations must be observed with regard to removal of the exhaust air.

The applicable regulations of the power supply companies and the regional construction regulations must be observed when installing the hob ventilator.

Safe operation is possible whenever the partial vacuum in the place where the firing equipment is installed does not exceed 4 Pa (0.04 mbar). This can be achieved whenever the air needed for combustion is able to enter through openings that cannot be sealed, for example in doors, windows, incoming/exhaust air wall boxes or other technical means.

Flexible aluminium pipes, corrosion-protected sheet metal pipes and exhaust air pipes whose material conforms to fire B1 in accordance with DIN 4102 can be used. Exhaust air pipes should have a nominal diameter of 125 mm / 4¹⁵/₁₆".

The **lateral distance** from the appliance installed next to it must amount to 8 mm / ⁵/₁₆".

If two Vario appliances are used, the hob ventilator must be installed between the appliances. If 4-plate hobs are used, it is recommended to place two ventilation devices to the left and right of the hob. Owing to the high air output, an adequate supply of air is required.

To prevent the ingress of water, e.g. condensate or rain water from an uncovered exhaust air shaft, our condensate separator RV 060-150 must be installed in the exhaust air line. The condensate separator must still be accessible after installation.

6.3 Electrical connection

Pay attention to the rating plate data.

If damaged, the mains cable must be replaced by a special mains connecting cable. The mains connecting cable must only be connected by the manufacturer or the manufacturer's after-sales service.

When connecting the power supply cord to the receptacle located below the cooktop surface, the cord is to be:

- Routed beneath the appliance; and
- Routed away from heat generated by the cooktop.

Pay attention to the following notes if you wish to install a gas range next to the hob ventilator.

- A locking bolt must be installed in the hob ventilator to prevent the boom from swivelling over the gas range.
- Extend the unit.
- Position the swivel arm in the centre.
- Open the flap on the rear.
- Fit a pin (accessory) in the collar of the accessible mounting ring (black plastic part). Fit the pin on the side opposite to the one where the boom is no longer to swivel.
- Close the flap.

When operated next to gas appliances, the swivel arm must be extended at least to the **top edge of the pan** as otherwise the flame of the gas burner will be impaired.

After installation, plug the **connecting cable plug** in an accessible socket. If the plug can no longer be removed after installation, isolation of all poles from the mains must be ensured by means of an accessible isolator with a contact spacing of at least 3 mm.

You can use the **window switch** if the appliance is **only used when the window is open** (to ensure adequate incoming air).

A switch (normally open contact) is fitted on the window. This switch is connected to the window switch terminal on the main electronics. The appliance can now only be operated when the window is open.

Important: the window switch must only be connected by an **authorised specialist**.

VL 051-707	/01	FD xxxx	xxxxxx
AC 120V / 60Hz		max 300W	2.2A

6.4 Installation

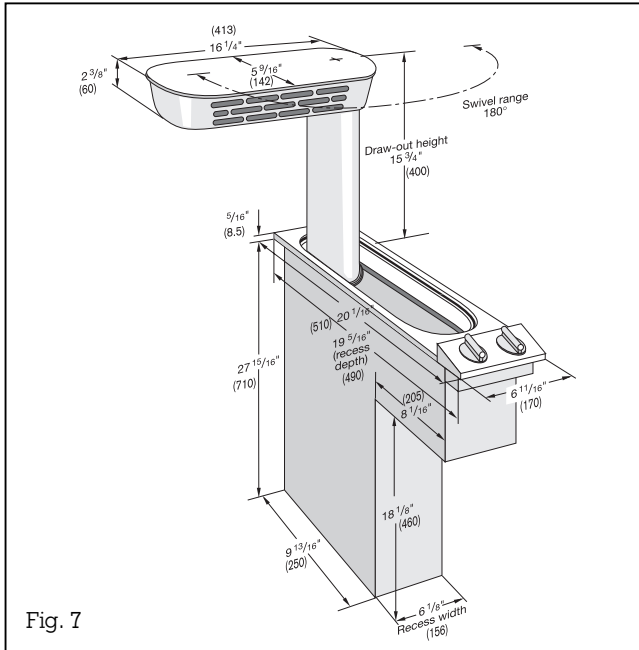


Fig. 7

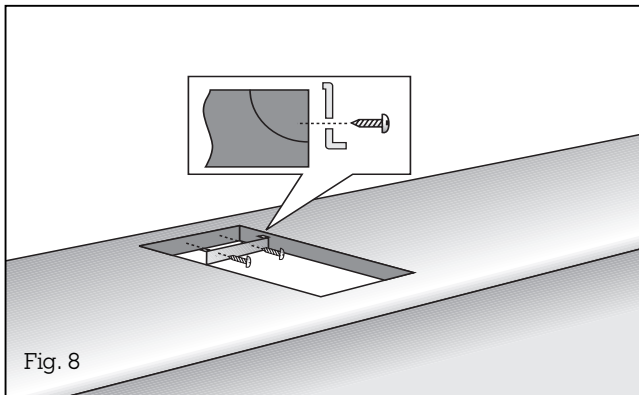


Fig. 8

The hob ventilator can be installed next to one or between two built-in Vario appliances.

Choose the suitable connection variant (see Pages 14-16) before beginning with installation.

- **Produce** the recess for the appliance. Proceed as indicated on the installation sketch and the dimension table (Fig. 7). When installing several Vario appliances at the same time, please pay attention to the dimensions specified in the type list. **Important:** The angle between the cut surface and the worktop must amount to 90°.
- **Mark the centre** of the recess exactly. Secure the securing rail in the recess at the rear with the included wood screws. Make sure that the lugs of the securing rail lie on the worktop and that the centre marking of the securing rail is precisely flush with the centre marking on the worktop (Fig. 8). When installed in a stone worktop, the securing rail must be adhered with a suitable adhesive.
- **Make sure** that the securing rail is fitted at a right angle to the surface of the worktop.
- **Remove the protective film from the included sealing tape** and stick the sealing tape onto the edge of the worktop so that the edge of the appliance when it is installed halves the sealing tape. The ends must not overlap.
- **Define** connection to the fan module before finally lowering the appliance into the worktop. Before sawing out the base plate, check whether the depth of the base area is sufficient for the fan module.

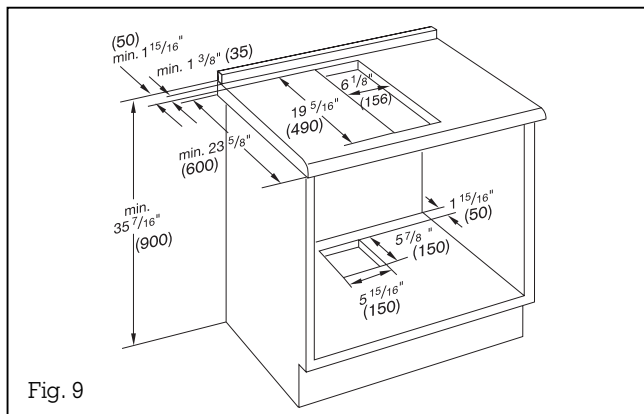


Fig. 9

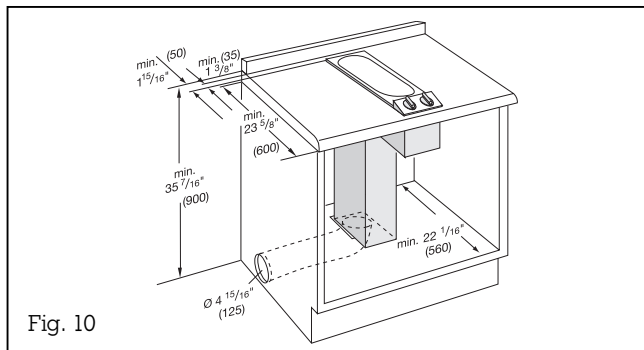


Fig. 10

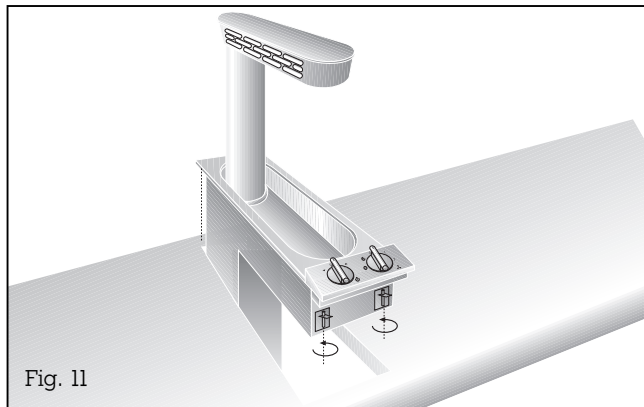


Fig. 11

Refer to the operating instructions of the fan module for details of how to install it.

- Using a flexible aluminium pipe (DN 125), **connect** the pipe connection piece to the fan module.
- Now **lower** the hob ventilator into the worktop. Make sure that the engaging lugs on the appliance lie exactly on the clamping springs. Press the appliance firmly into the worktop. The engaging lugs on the appliance “snap” into the clamping springs.
- At the front, **fix** the hob clamping element onto the worktop from below until the appliance is pressed on evenly (Fig. 14). If the worktop is less than 36 mm / 1⁷/₁₆” thick, place the hob clamping element under it.
- **Cut off** protruding sealing tape.

GAGGENAU

GAGGENAU HAUSGERÄTE GMBH
CARL-WERY-STR. 34 · 81739 MÜNCHEN

GERMANY

☎ (089) 45 90-03

FAX (089) 45 90-23 47

GAGGENAU

780 DEDHAM STREET
CANTON, MA 02021

USA

☎ 800.828.9165

www.gaggenau-usa.com